

US00D835829S

(12) **United States Design Patent** (10) **Patent No.:** **US D835,829 S**  
**Hendifar et al.** (45) **Date of Patent:** **\*\* Dec. 11, 2018**

- (54) **LIGHT FIXTURE**
- (71) Applicant: **APPARATUS, LLC**, New York, NY (US)
- (72) Inventors: **Gabriel Hendifar**, Rhinebeck, NY (US); **Jeremy R. Anderson**, Rhinebeck, NY (US)
- (73) Assignee: **APPARATUS LLC**, New York, NY (US)

D819,253 S \* 5/2018 Hendifar ..... D26/84  
 D819,867 S \* 6/2018 Hendifar ..... D26/84  
 D822,258 S \* 7/2018 Hendifar ..... D26/85  
 2017/0198894 A1 \* 7/2017 Sonneman ..... F21S 8/063

(\*\*) Term: **15 Years**

(21) Appl. No.: **29/598,341**

(22) Filed: **Mar. 24, 2017**

(51) **LOC (11) Cl.** ..... **26-05**

(52) **U.S. Cl.**  
USPC ..... **D26/85**

(58) **Field of Classification Search**  
 USPC ..... D10/104.1, 106.1, 106.6, 106.8;  
 D25/133, 135, 136; D26/10, 37, 38, 40,  
 D26/51, 60, 67, 68, 72, 76, 78, 82, 85,  
 D26/86, 104, 106, 145  
 CPC ..... F21S 8/00; F21S 8/02; F21S 8/04; F21S  
 8/003; F21S 8/006; F21S 6/00; F21S  
 9/022; F21S 9/037  
 See application file for complete search history.

(56) **References Cited**

**U.S. PATENT DOCUMENTS**

D162,723 S *	4/1951	Gregg	.....	D26/85
D198,539 S *	6/1964	Freed	.....	D26/70
D226,533 S *	3/1973	Porter	.....	D26/102
D505,221 S *	5/2005	Hetfield	.....	D26/76
D544,126 S *	6/2007	Stafford	.....	D26/67
D636,520 S *	4/2011	Gutting	.....	D26/87
D741,534 S *	10/2015	Derby	.....	D26/85
D804,080 S *	11/2017	Hendifar	.....	D26/86
D804,699 S *	12/2017	Hendifar	.....	D26/87

**OTHER PUBLICATIONS**

Lantern Apparatus (available online) Retrieved from the internet Jul. 12, 2018 from URL: [http://apparatusstudio.com/products/lantern.\\*](http://apparatusstudio.com/products/lantern.*)

\* cited by examiner

*Primary Examiner* — Kevin K Rudzinski

*Assistant Examiner* — Richard Kearney

(74) *Attorney, Agent, or Firm* — Gottlieb, Rackman & Reisman, P.C.

(57) **CLAIM**

The ornamental design for a light fixture, as shown and described.

**DESCRIPTION**

FIG. 1 is a perspective view of a light fixture showing our new design;

FIG. 2 a front elevational view thereof;

FIG. 3 is a rear elevational view thereof;

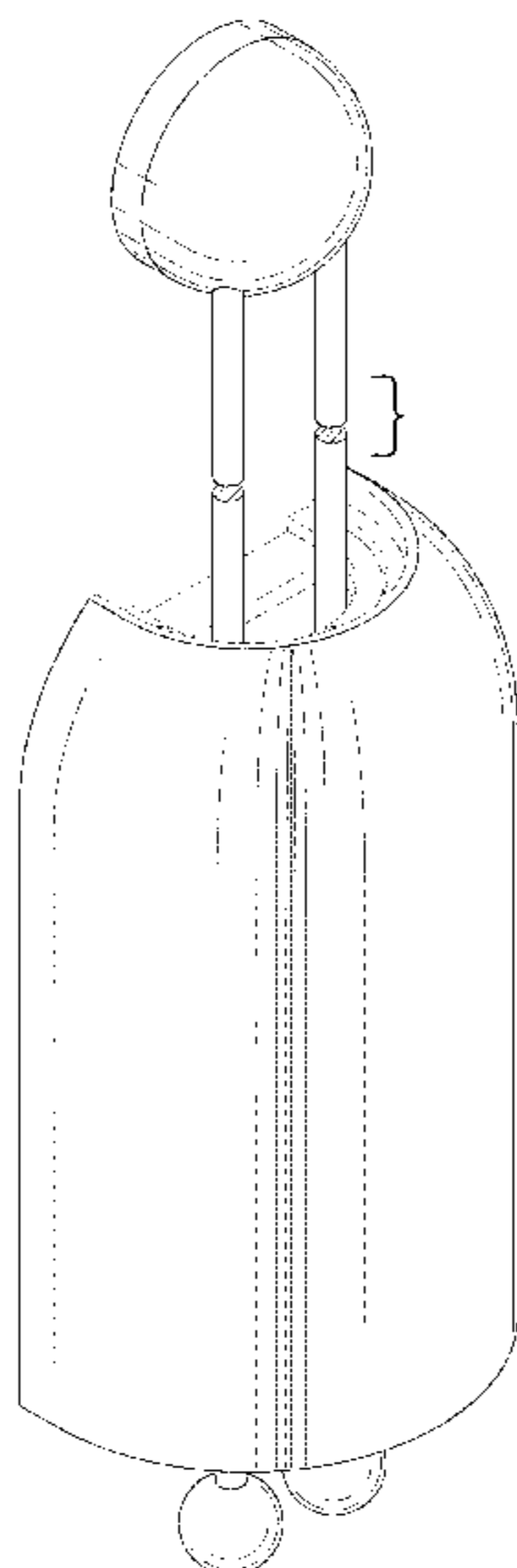
FIG. 4 is a right side elevational view thereof, the left side elevational view being a mirror image;

FIG. 5 is a top plan view thereof; and,

FIG. 6 is a bottom plan view thereof.

The break lines shown in the drawings indicate that the appearance of any portion of the article between the break lines forms no part of the claimed design. The broken lines shown in the drawings illustrate portions of the light fixture that form no part of the claimed design.

**1 Claim, 6 Drawing Sheets**



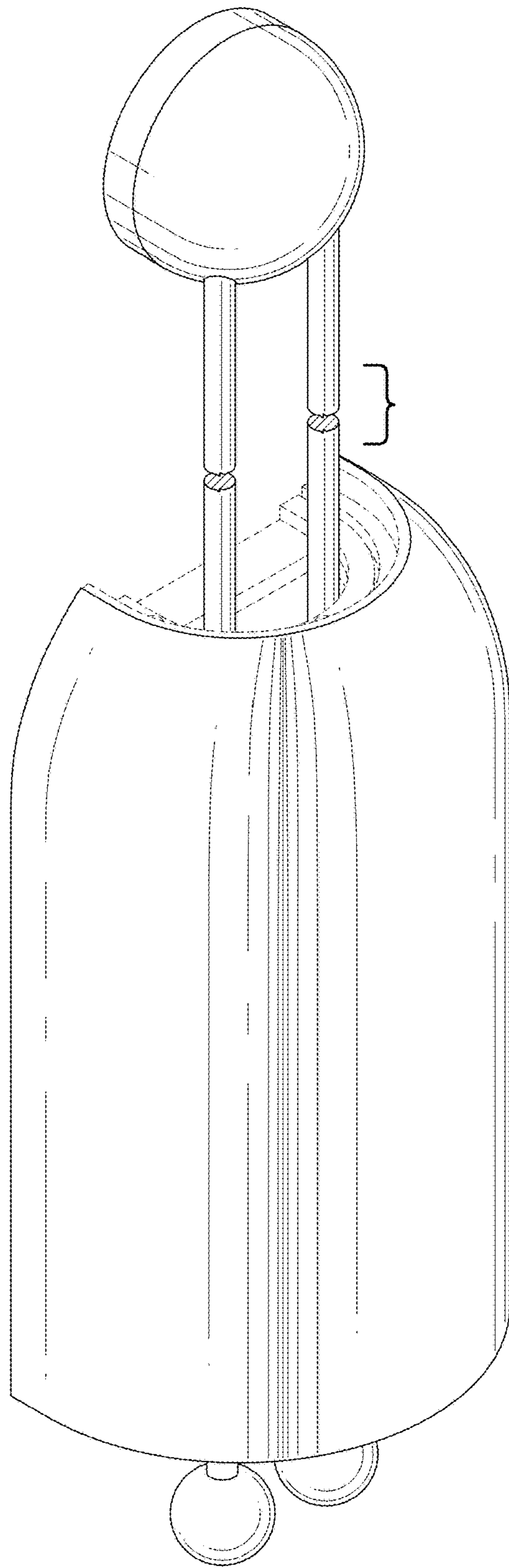


FIG. 1

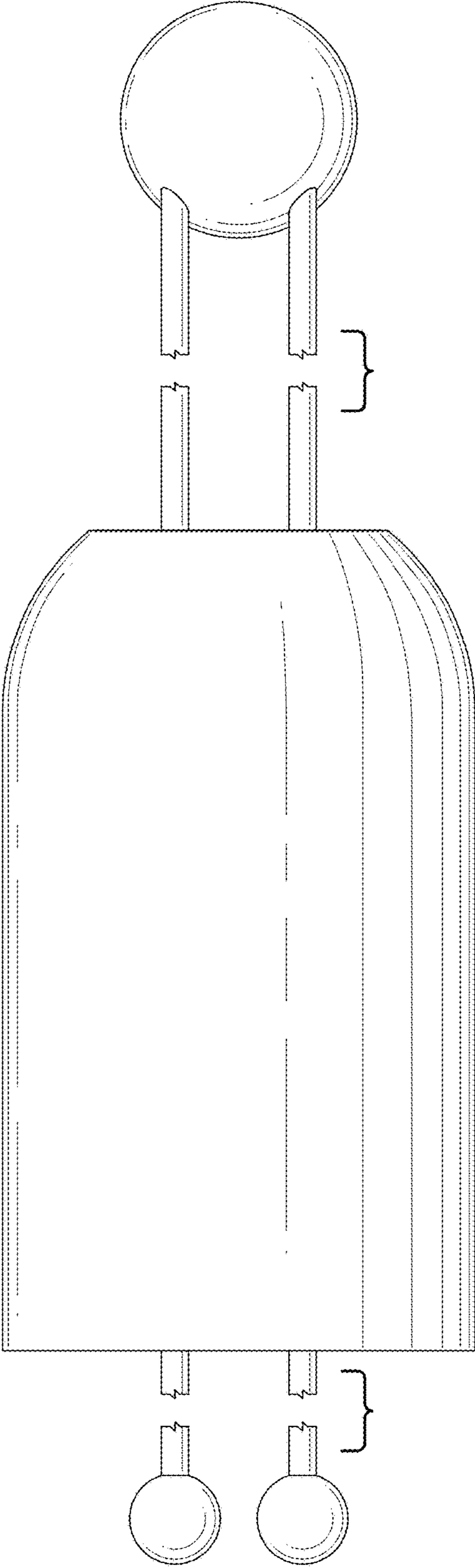


FIG.2

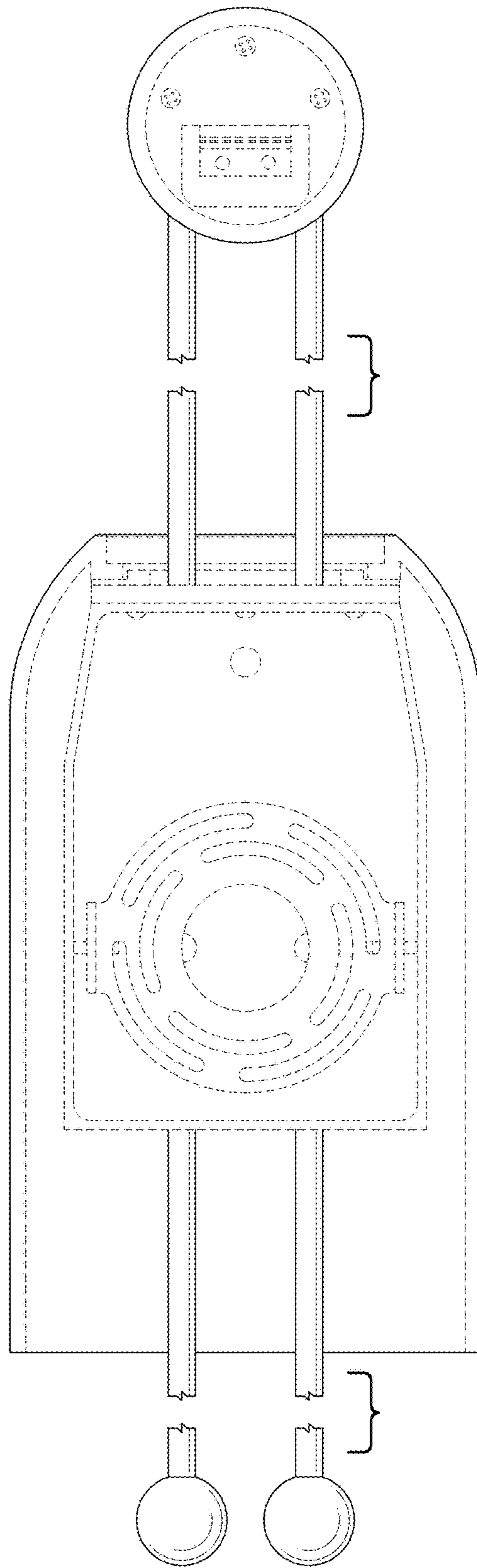


FIG. 3

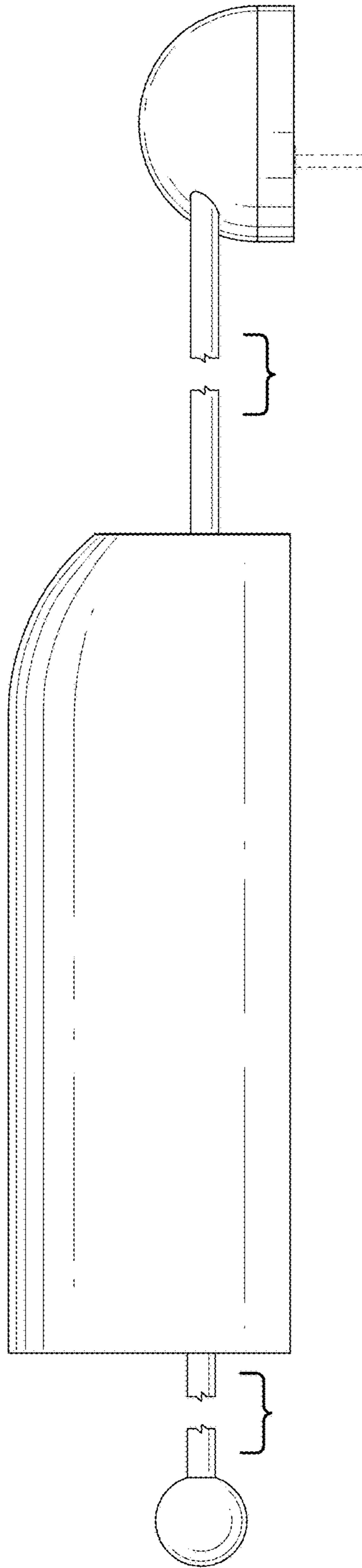


FIG.4

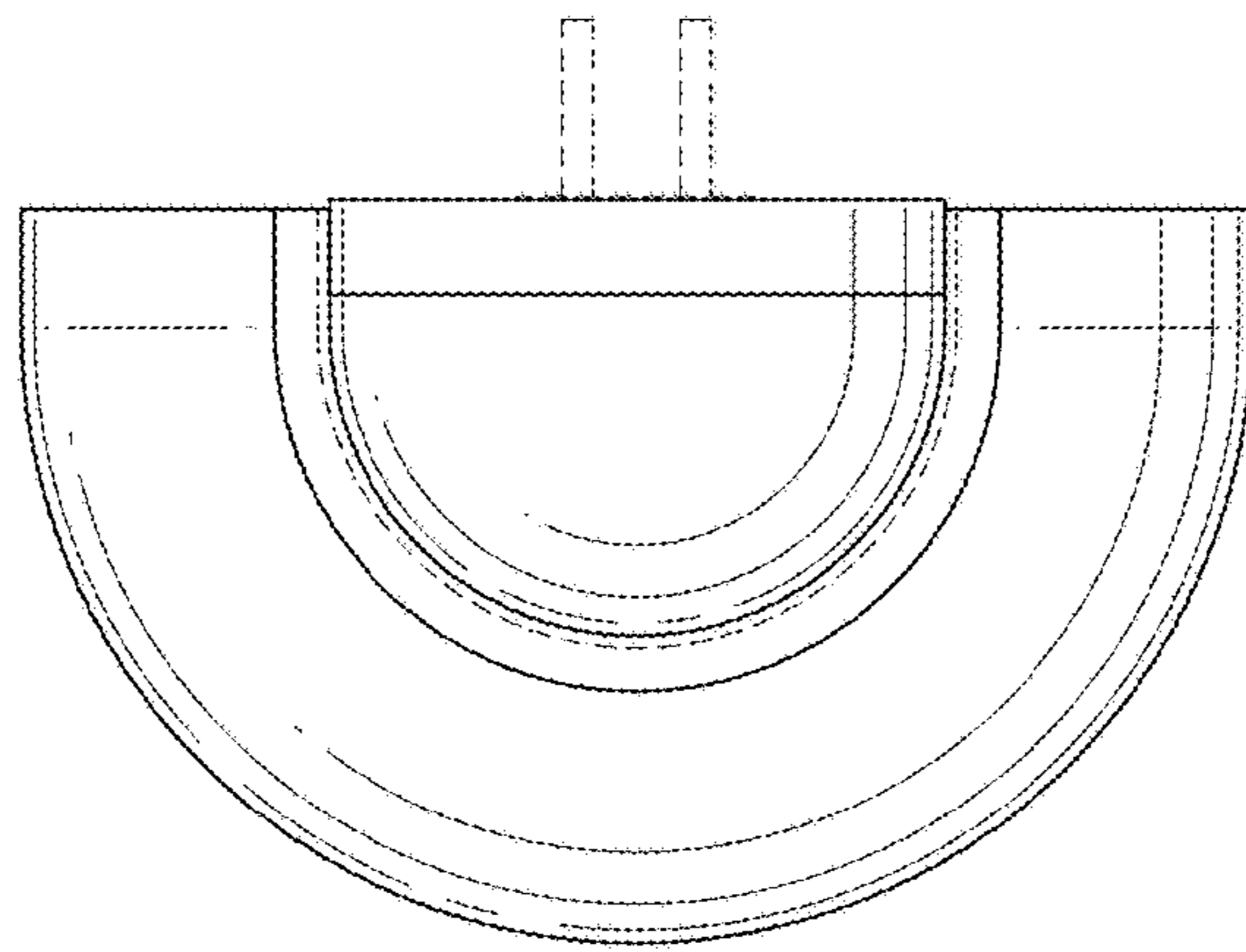


FIG. 5

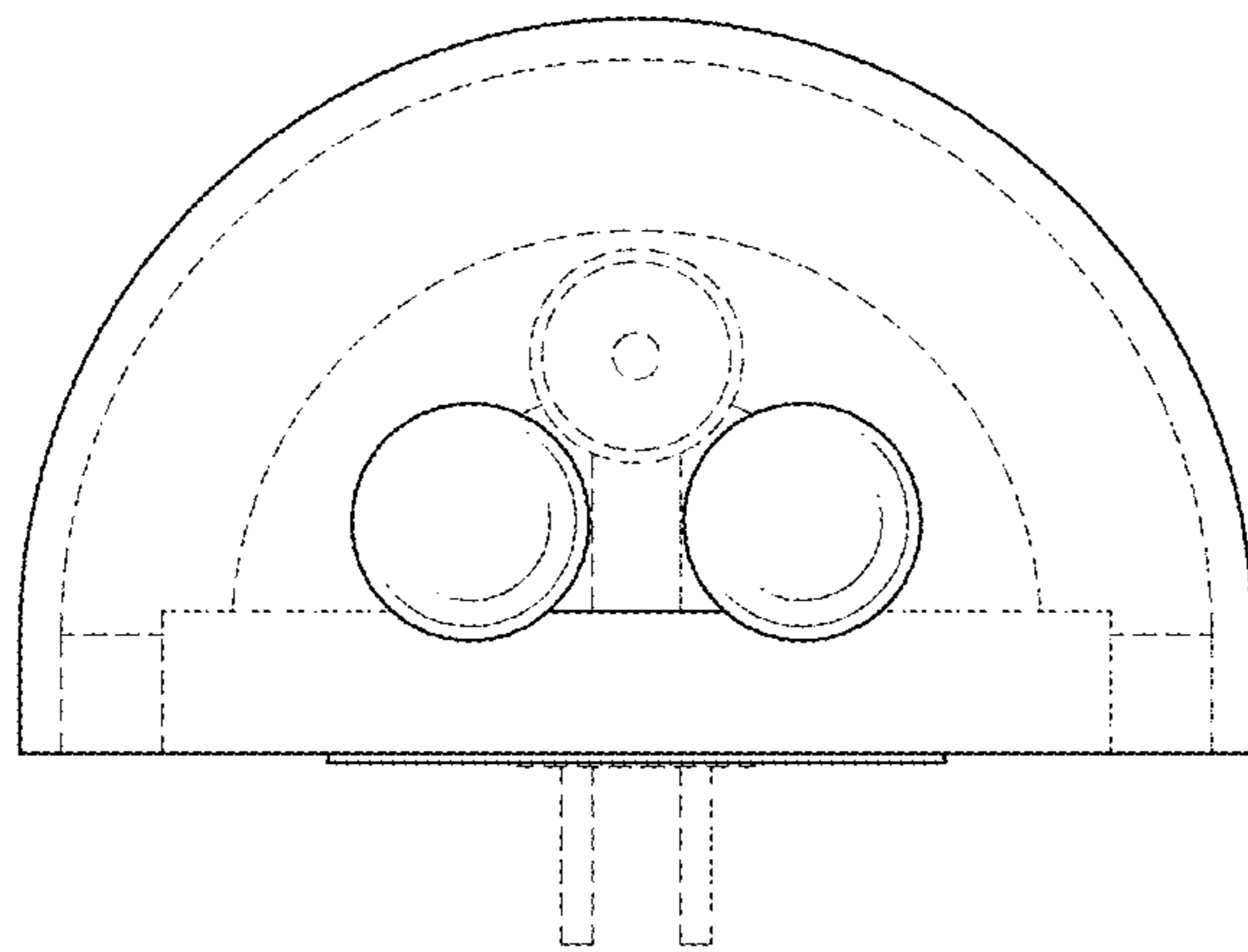


FIG. 6