

US00D835827S

(12) **United States Design Patent** (10) **Patent No.:** **US D835,827 S**  
**Amato et al.** (45) **Date of Patent:** **\*\* Dec. 11, 2018**

(54) **LIGHTING FIXTURE**

(71) Applicant: **The Urban Electric Company**, North Charleston, SC (US)

(72) Inventors: **Michael Amato**, Johns Island, SC (US); **David Dawson**, Charleston, SC (US); **Jonathan Charpia**, Summerville, SC (US); **Christopher Roof**, Charleston, SC (US); **Joeangel Casanova**, North Charleston, SC (US); **Courteney Salsbury**, Mount Pleasant, SC (US); **Brianna Magagnoli**, Charleston, SC (US)

(73) Assignee: **The Urban Electric Company**, North Charleston, SC (US)

(\*\*) Term: **15 Years**

(21) Appl. No.: **29/594,992**

(22) Filed: **Feb. 24, 2017**

(51) **LOC (11) Cl.** ..... **26-05**

(52) **U.S. Cl.**  
USPC ..... **D26/72; D13/134**

(58) **Field of Classification Search**  
USPC ..... D13/134; D26/71, 72, 74, 78-93, 106, D26/118-122  
CPC ..... F21S 8/02; F21S 8/03; F21S 8/04; F21S 8/06; F21S 8/033; F21S 8/036; F21S 8/043; F21S 9/00; F21S 10/00; F21V 21/02

See application file for complete search history.

(56) **References Cited**

**U.S. PATENT DOCUMENTS**

D22,227 S \* 2/1893 McEvoy ..... D26/72  
D24,074 S \* 2/1895 Chase ..... D13/134  
D47,104 S \* 3/1915 Gilson ..... D13/134  
D48,028 S \* 10/1915 Gate ..... D13/134

D49,476 S \* 8/1916 Lucas ..... D26/88  
D53,147 S \* 4/1919 Freeman ..... D13/134  
D55,166 S \* 5/1920 Gosling ..... D26/72  
D63,574 S \* 12/1923 Meixner ..... D26/72  
D67,176 S \* 4/1925 Wolter ..... D26/72  
D67,323 S \* 5/1925 Wolter ..... D26/72  
D77,815 S \* 2/1929 Dahl ..... D26/72  
D82,465 S \* 11/1930 Weber ..... D13/134  
D91,665 S \* 3/1934 Kaynor ..... D26/72  
2,774,049 A \* 12/1956 Kibler ..... F21S 4/10  
362/382  
D185,874 S \* 8/1959 Rambusch ..... D26/88  
D436,211 S \* 1/2001 Neeld ..... D26/85  
D467,676 S \* 12/2002 Packer ..... D26/72  
D567,988 S \* 4/2008 Lissoni ..... D26/88

(Continued)

*Primary Examiner* — Kevin K Rudzinski

*Assistant Examiner* — Richard Kearney

(74) *Attorney, Agent, or Firm* — Jeffrey T. Stover;  
Haynsworth Sinkler Boyd, P.A.

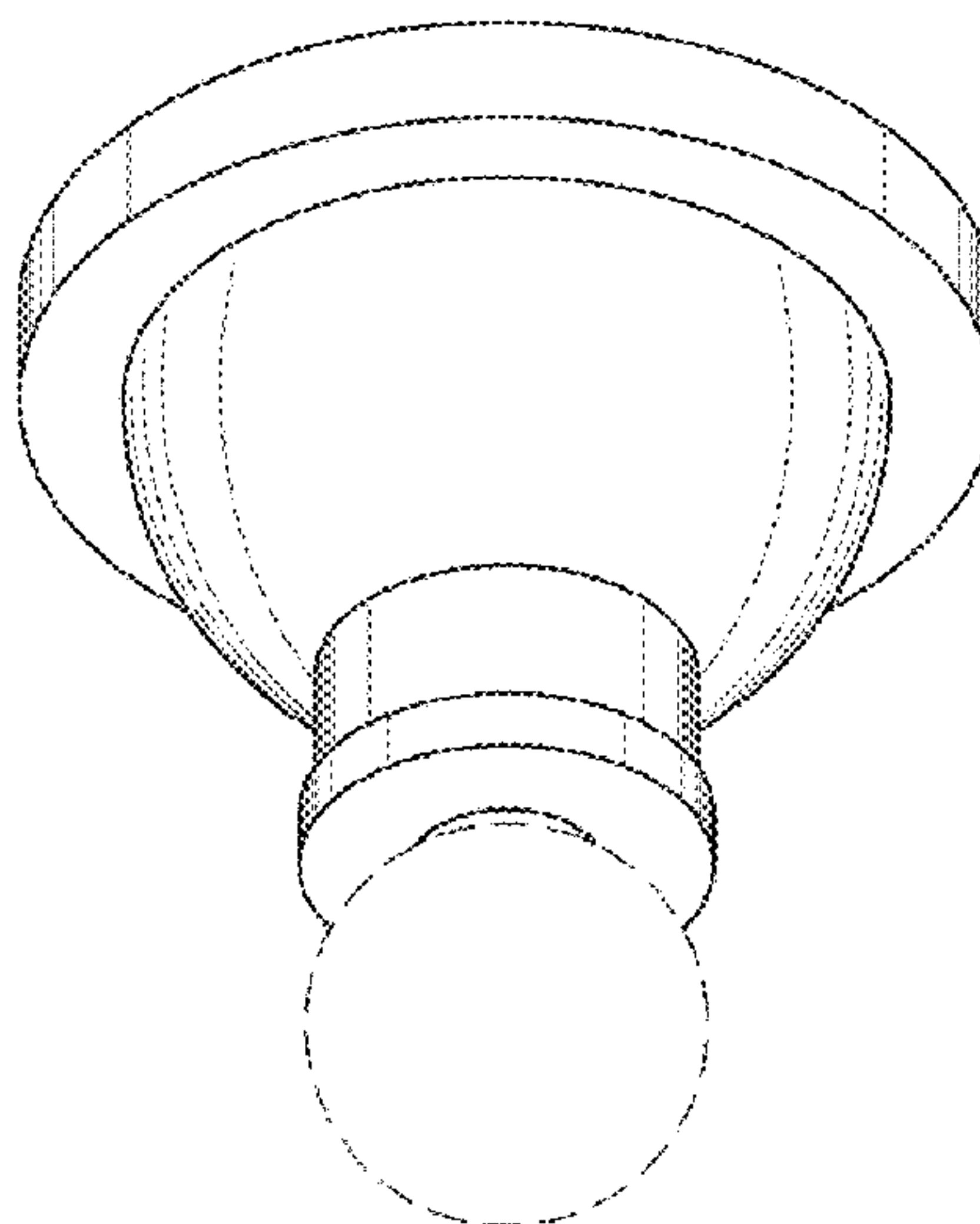
(57) **CLAIM**

The ornamental design for a lighting fixture, as shown and described.

**DESCRIPTION**

FIG. 1 is a bottom perspective view of a lighting fixture showing the new design;  
FIG. 2 is a front elevational view thereof;  
FIG. 3 is a back elevational view thereof.  
FIG. 4 is a right side elevational view thereof;  
FIG. 5 is a left side elevational view thereof;  
FIG. 6 is a top plan view thereof;  
FIG. 7 is a bottom plan view thereof; and,  
FIG. 8 is a top-perspective view thereof.  
The broken lines shown on the top surface of the lighting fixture in FIGS. 6 and 8 illustrate a portion of the article that forms no part of the claimed design. The remaining broken lines shown in FIGS. 1-8 illustrate environmental structure that forms no part of the claimed design.

**1 Claim, 8 Drawing Sheets**



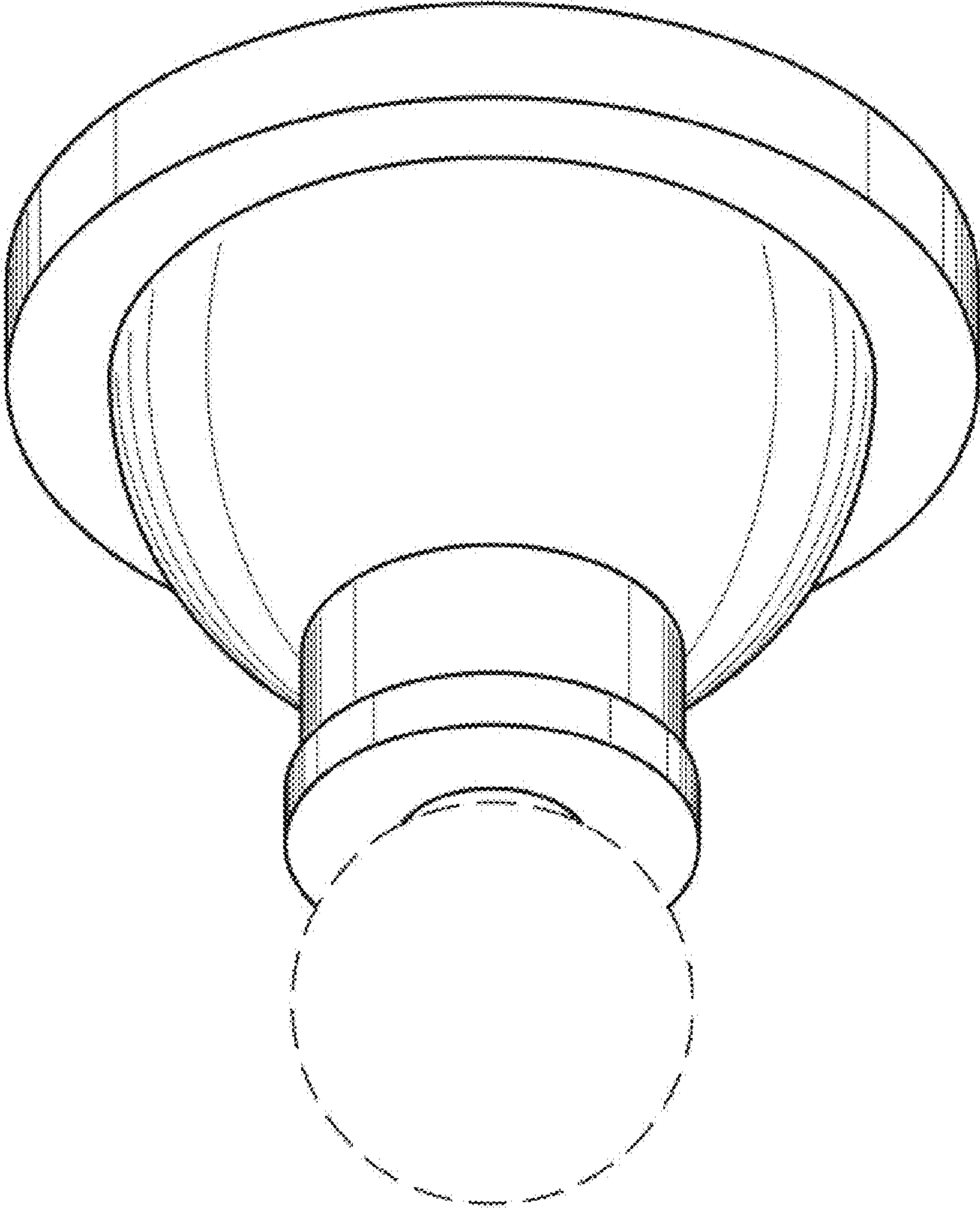
(56)

**References Cited**

U.S. PATENT DOCUMENTS

|              |         |                |        |
|--------------|---------|----------------|--------|
| D571,035 S * | 6/2008  | Yu .....       | D26/89 |
| D664,281 S * | 7/2012  | Ayliffe .....  | D26/88 |
| D698,478 S * | 1/2014  | Randolph ..... | D26/67 |
| D721,199 S * | 1/2015  | Gilbert .....  | D26/86 |
| D722,400 S * | 2/2015  | Gilbert .....  | D26/86 |
| D728,843 S * | 5/2015  | Krogman .....  | D26/88 |
| D768,902 S * | 10/2016 | Driver .....   | D26/72 |
| D775,756 S * | 1/2017  | Amato .....    | D26/72 |

\* cited by examiner



**FIG. 1**

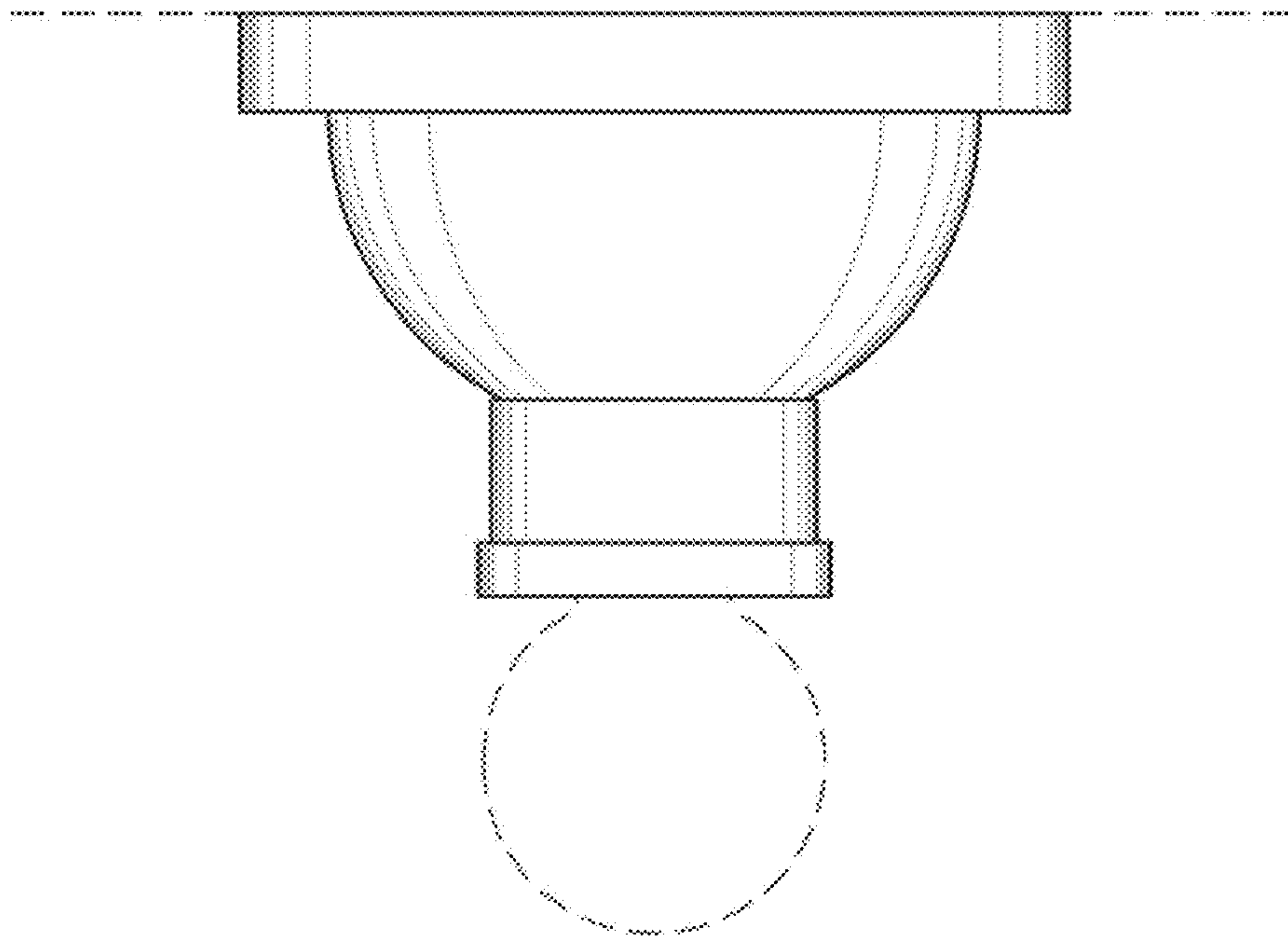


FIG. 2

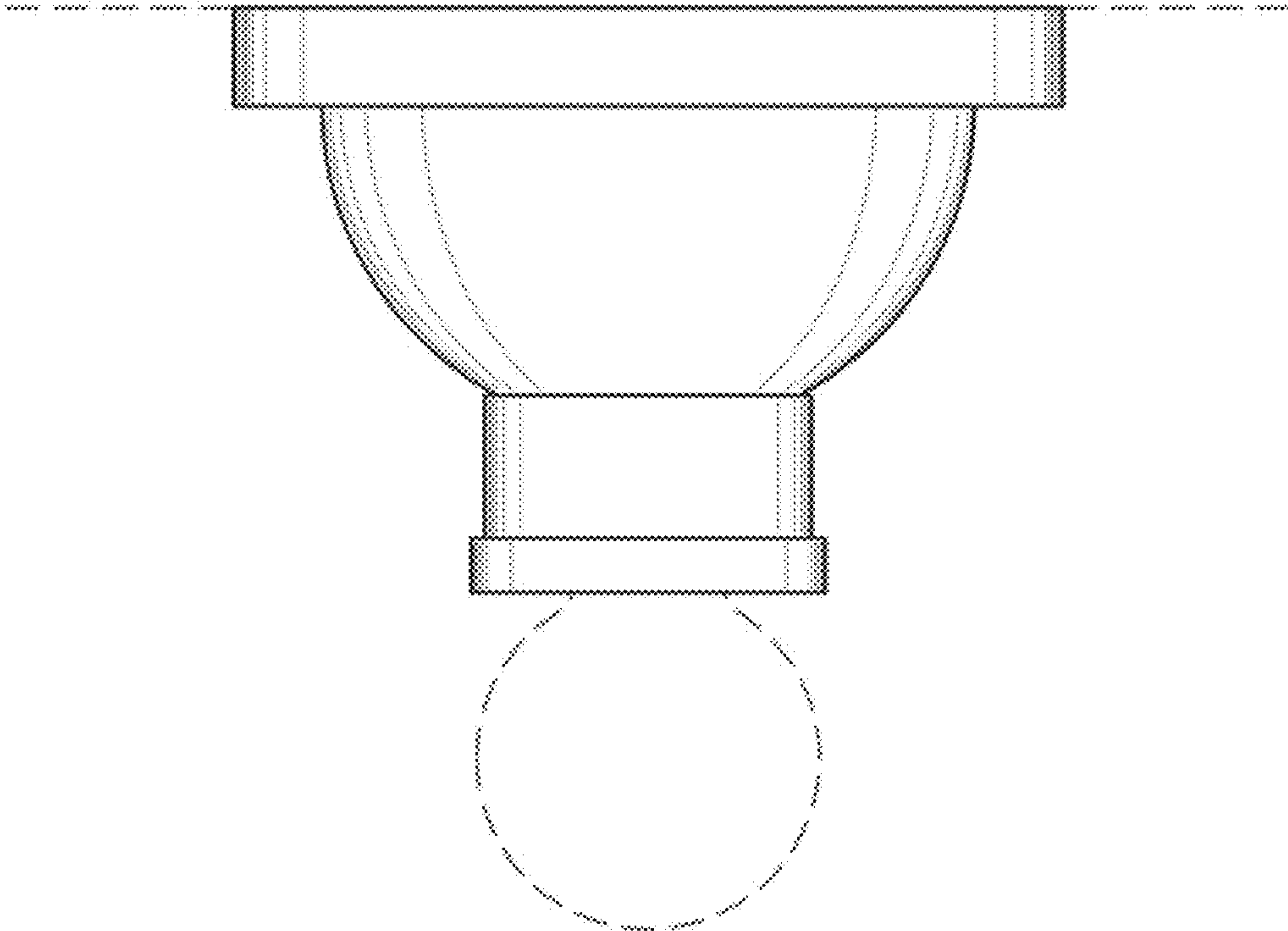
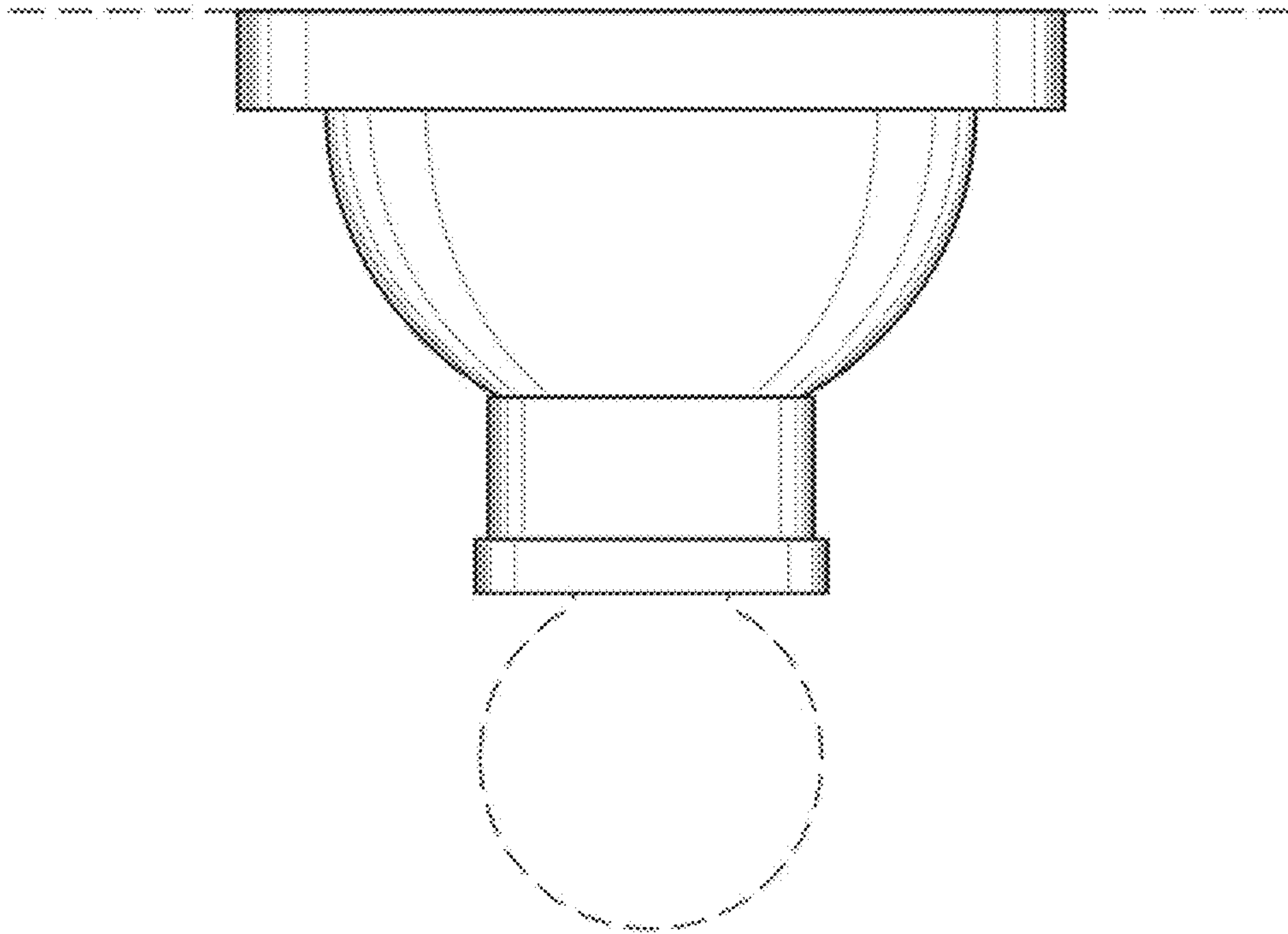
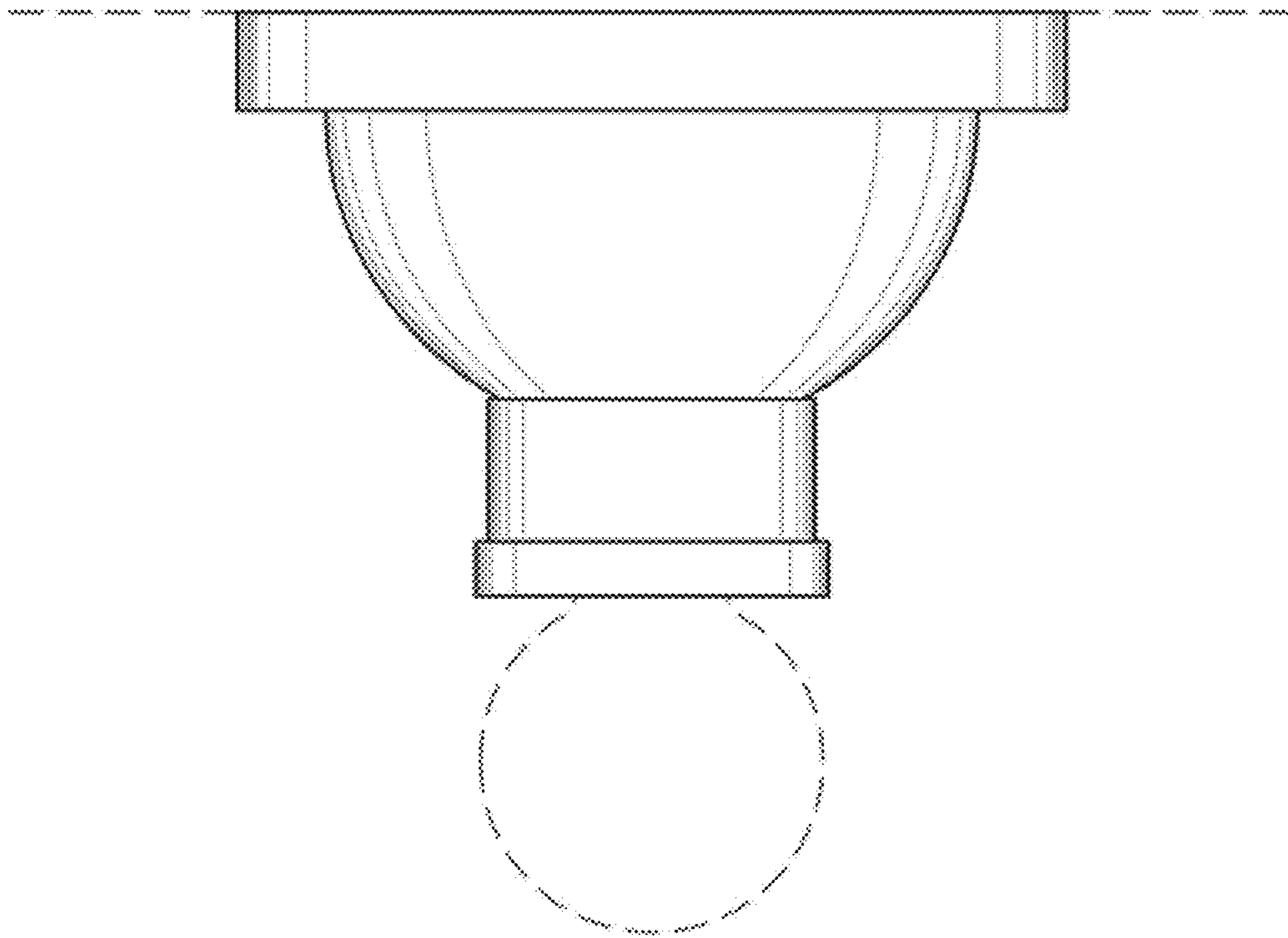


FIG. 3

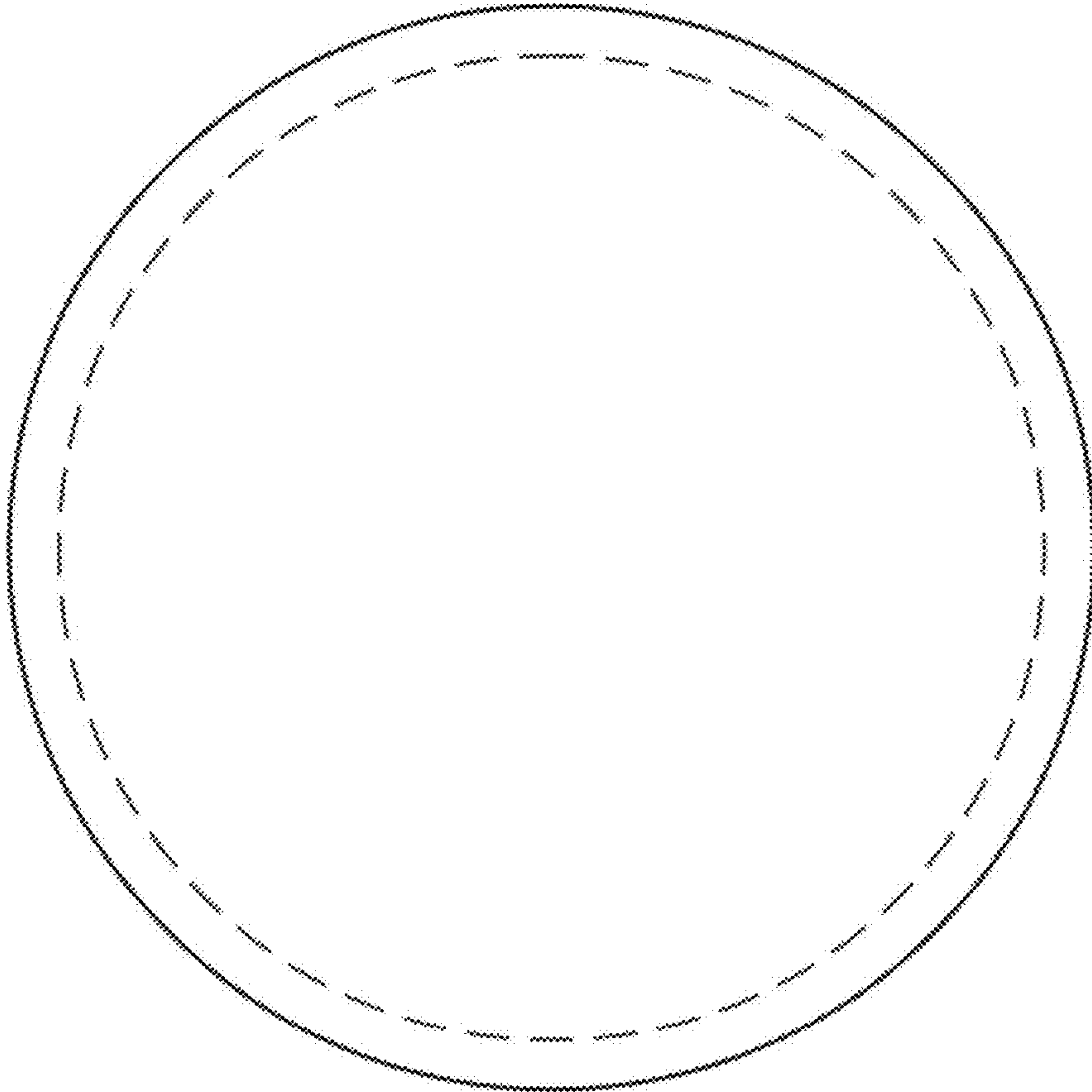


**FIG. 4**





**FIG. 5**



**FIG. 6**



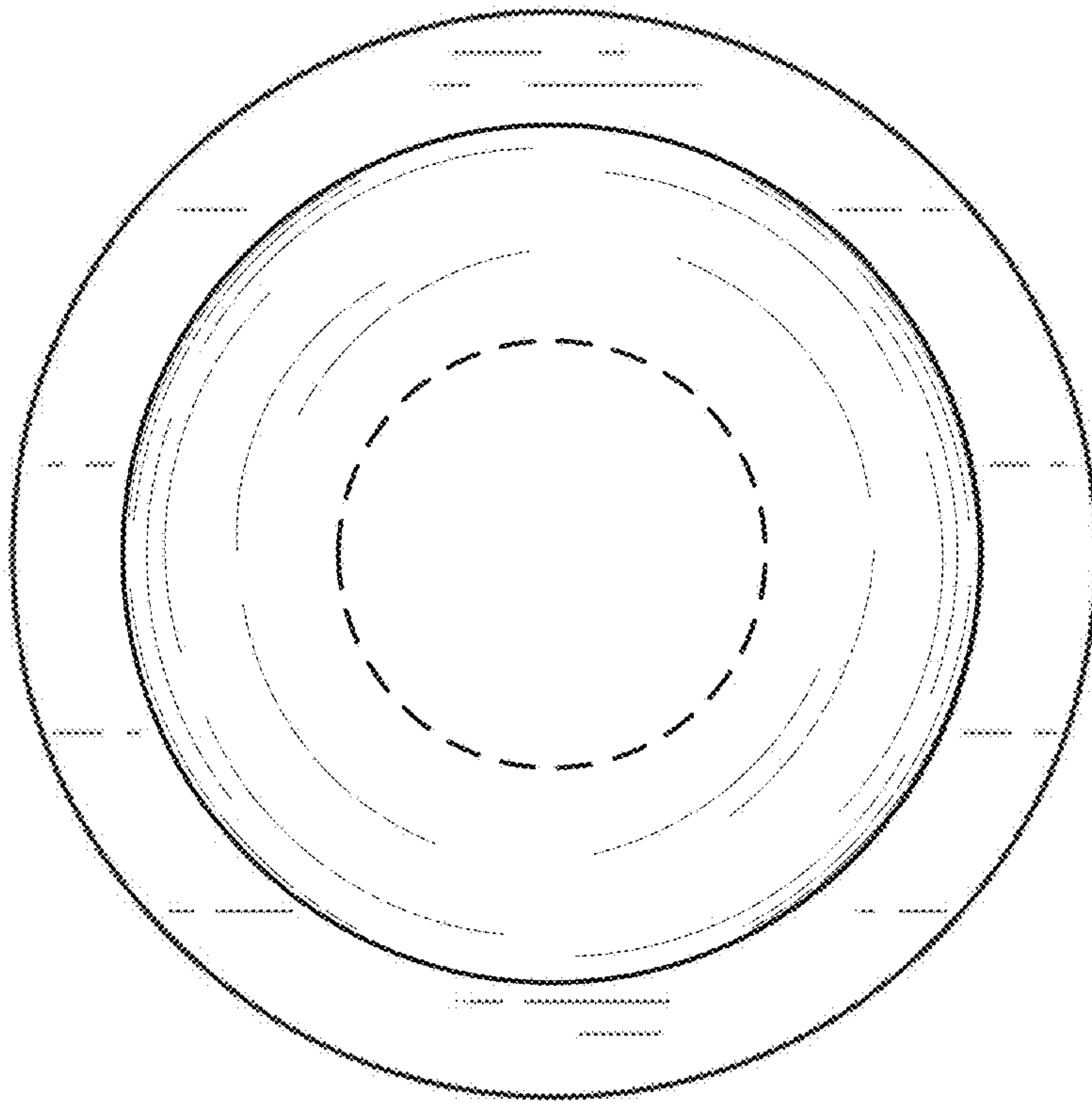


FIG. 7

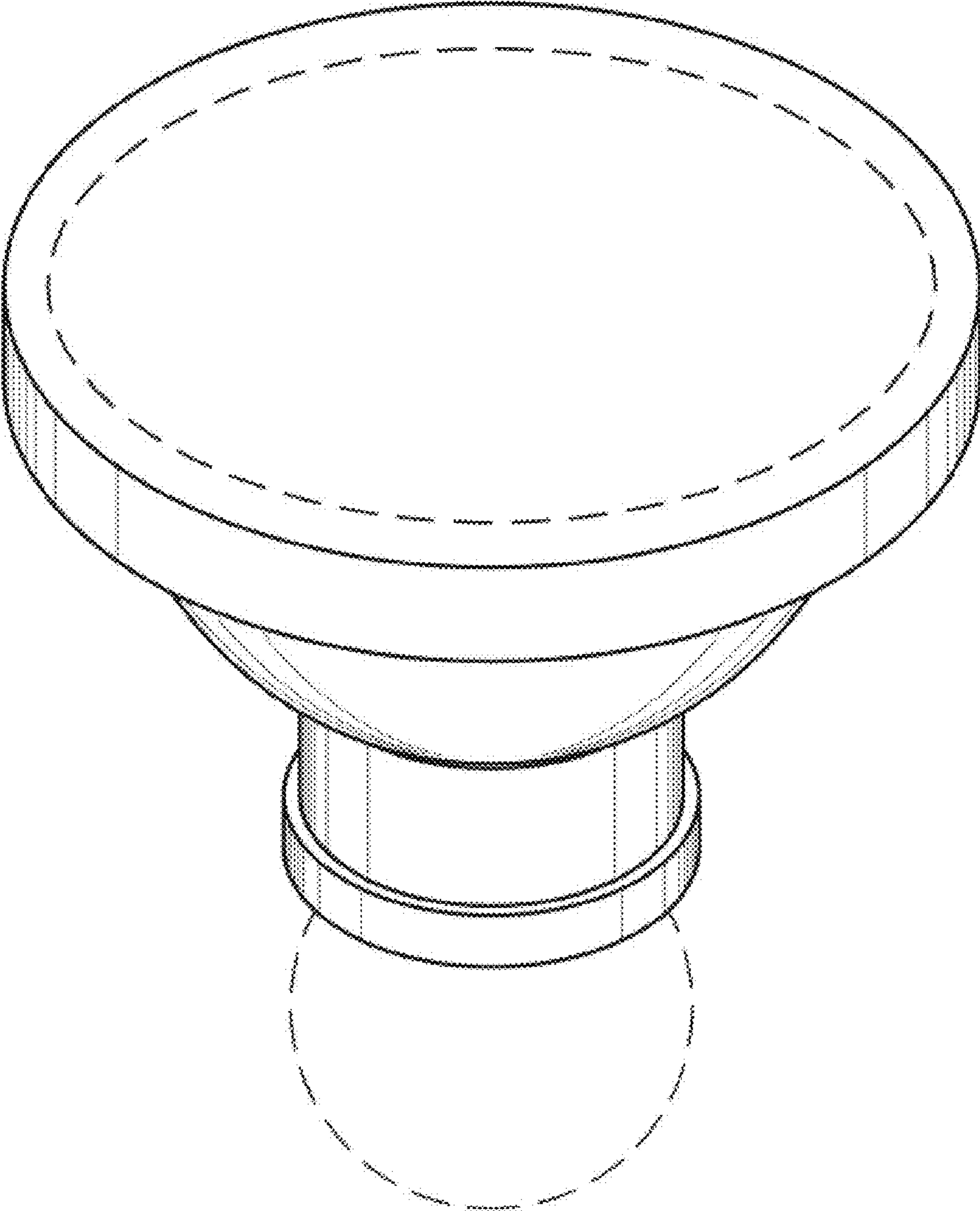


FIG. 8