



US00D835826S

(12) **United States Design Patent** (10) **Patent No.:** **US D835,826 S**
Koerth et al. (45) **Date of Patent:** **** Dec. 11, 2018**

(54) **MODULAR DECK LIGHT**
(71) Applicant: **Lacks Home Products**, Kentwood, MI (US)
(72) Inventors: **Aaron Koerth**, Hudsonville, MI (US); **Michael S. Modrusic**, Granite City, IL (US)
(73) Assignee: **Lacks Home Products**, Kentwood, MI (US)

(**) Term: **15 Years**

(21) Appl. No.: **29/599,471**

(22) Filed: **Apr. 4, 2017**

(51) **LOC (11) Cl.** **26-05**

(52) **U.S. Cl.**
USPC **D26/60**

(58) **Field of Classification Search**
USPC D10/104.1, 106.1, 106.6, 106.8;
D25/133, 135, 136; D26/10, 37, 38, 40,
D26/51, 60, 67, 68, 72, 76, 78, 82, 85,
D26/86, 104, 106, 145
CPC F21S 8/00; F21S 8/02; F21S 8/04; F21S
8/003; F21S 8/006; F21S 6/00; F21S
9/022; F21S 9/037
See application file for complete search history.

(56) **References Cited**

U.S. PATENT DOCUMENTS

D140,862 S * 4/1945 Conlan D13/161
D150,892 S * 9/1948 Sacks D26/104
D180,535 S * 6/1957 Stevens D26/24
D296,135 S * 6/1988 Dreiling D25/136
4,825,590 A 5/1989 Cullinane
5,118,059 A 6/1992 Mainer
D393,417 S * 4/1998 Glickman D8/382
5,772,185 A * 6/1998 Pulsipher E04D 3/405
256/1
D444,243 S * 6/2001 Erwin E04H 17/16
D25/135

6,526,905 B2 3/2003 Hawk
D476,555 S * 7/2003 Niwa D6/328
D513,171 S * 12/2005 Richardson D25/133
D551,774 S * 9/2007 McGinness D25/135
D645,865 S * 9/2011 Diehl D14/299
D649,680 S * 11/2011 Trzesniowski D26/138
D649,692 S * 11/2011 Trzesniowski D26/138
D658,977 S * 5/2012 Riddell D8/394

(Continued)

FOREIGN PATENT DOCUMENTS

KR 101498268 B1 3/2015

Primary Examiner — Kevin K Rudzinski

Assistant Examiner — Richard Kearney

(74) *Attorney, Agent, or Firm* — John S. Artz; Dickinson Wright PLLC

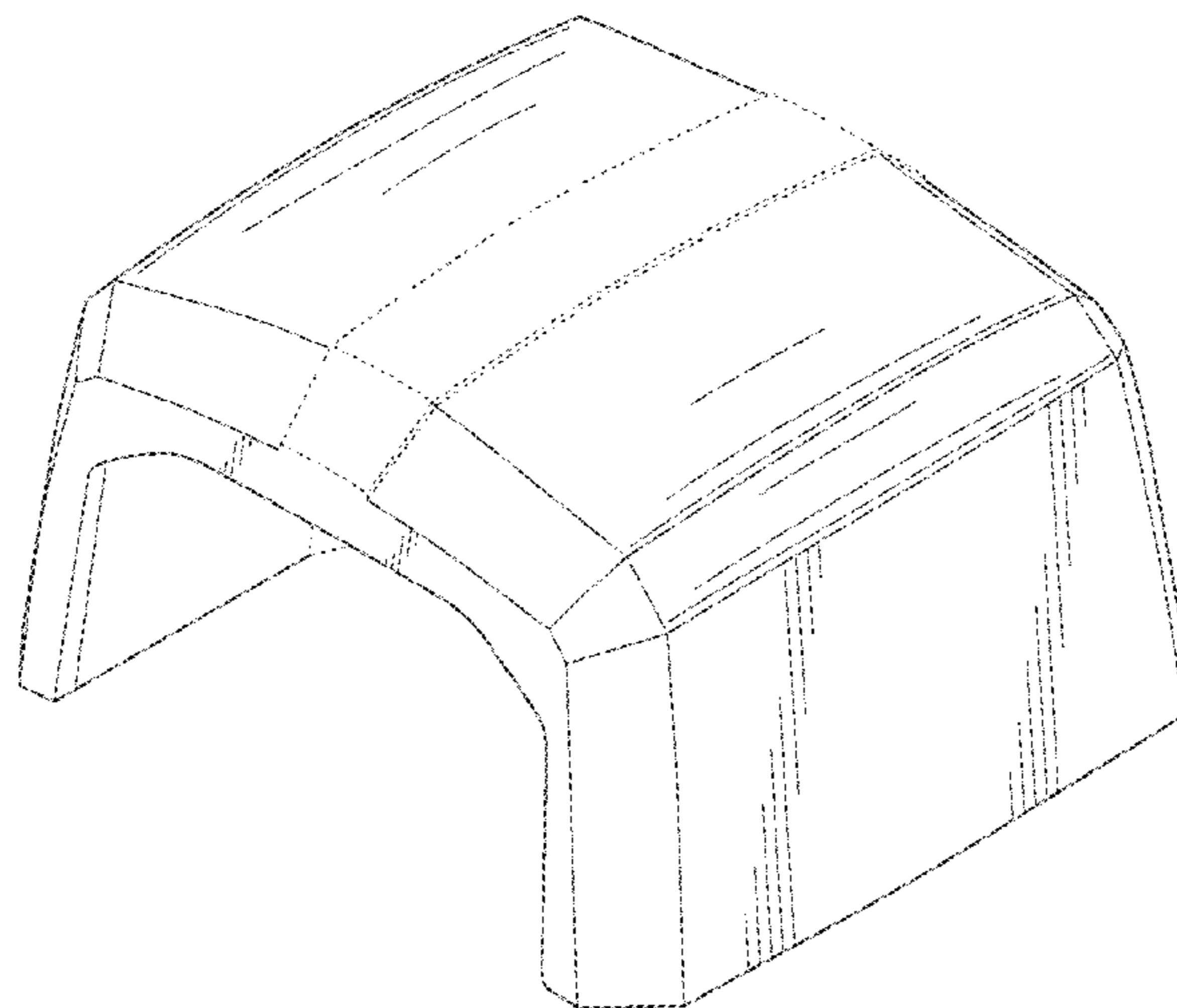
(57) **CLAIM**

We claim the ornamental design for a modular deck light, as shown and described.

DESCRIPTION

FIG. 1 is a perspective view of a modular deck light showing our new design;
FIG. 2 is a first end view of the modular deck light of FIG. 1;
FIG. 3 is a second end view of the modular deck light of FIG. 1;
FIG. 4 is a first side view of the modular deck light of FIG. 1;
FIG. 5 is a second side view of the modular deck light of FIG. 1;
FIG. 6 is a bottom view of the modular deck light of FIG. 1; and,
FIG. 7 is a top view of the modular deck light of FIG. 1.
The broken lines in the drawings are included for the purpose of illustrating an environmental structure and form no part of the claimed design.

1 Claim, 5 Drawing Sheets



(56)

References Cited

U.S. PATENT DOCUMENTS

D670,843 S * 11/2012 von Waldthausen D26/37
D696,104 S * 12/2013 Kampl D8/394
8,801,214 B2 8/2014 Chrysanthous
9,206,951 B2 12/2015 McLennan et al.
D757,215 S * 5/2016 Gehrung D23/226
D788,625 S * 6/2017 Hsieh D10/106.6
D806,460 S * 1/2018 Gasser D6/719
D807,533 S * 1/2018 Ray D25/135
2013/0076269 A1 3/2013 Shilton
2015/0251735 A1 9/2015 O'Maley, Jr.
2017/0241600 A1* 8/2017 Beatenbough F21S 8/04
2017/0241626 A1* 8/2017 Stuart F21V 21/088

* cited by examiner

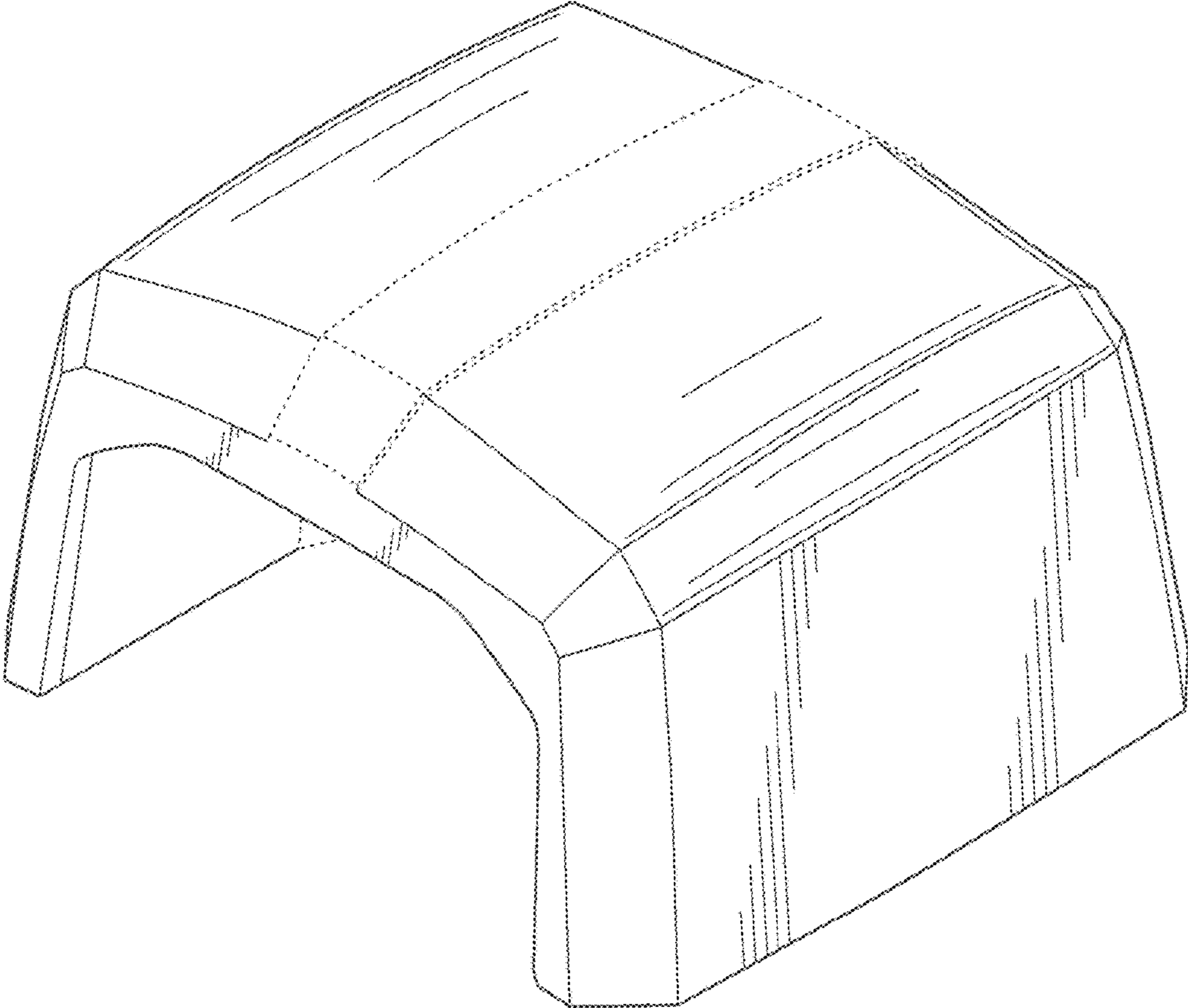


FIG. 1

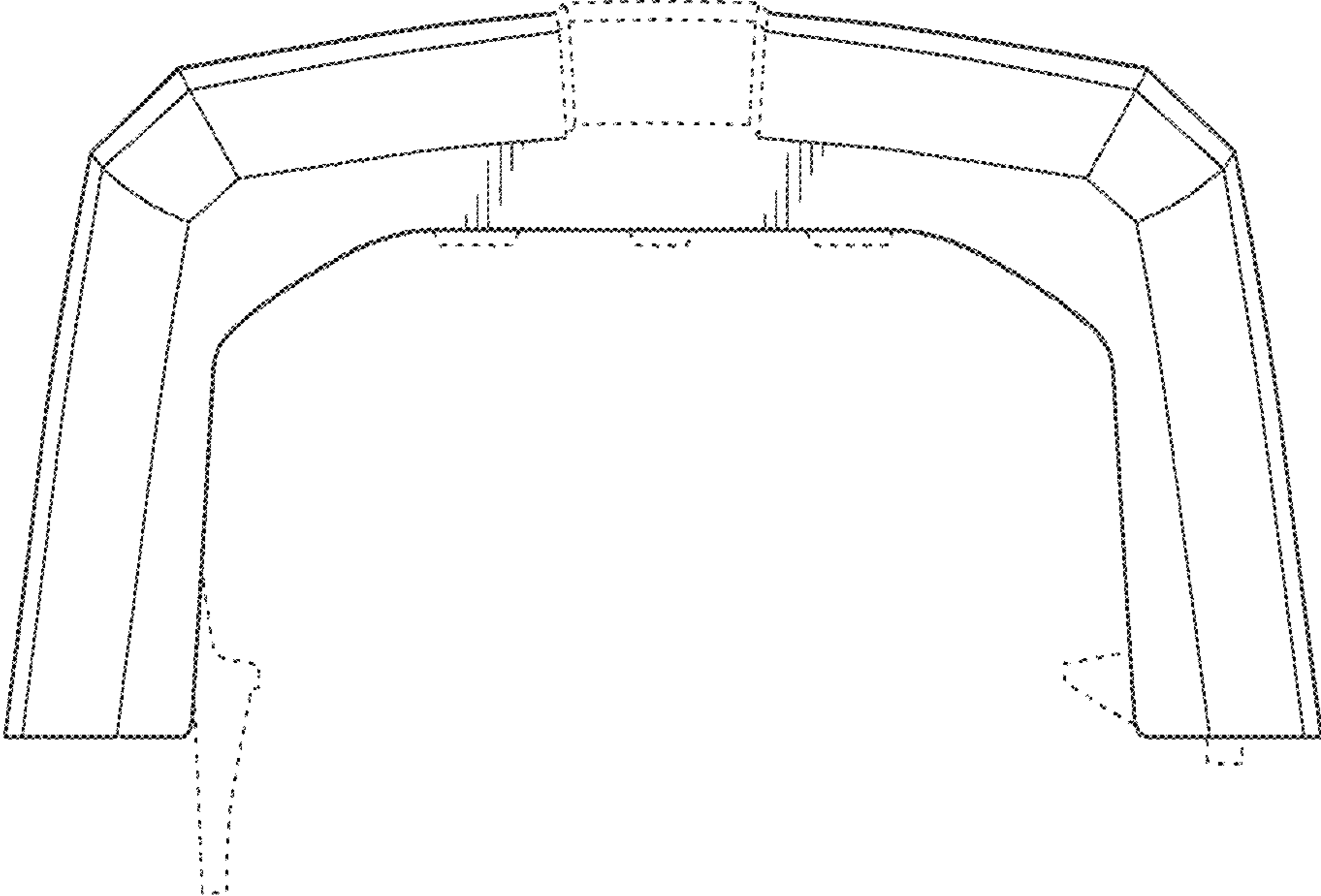


FIG. 2

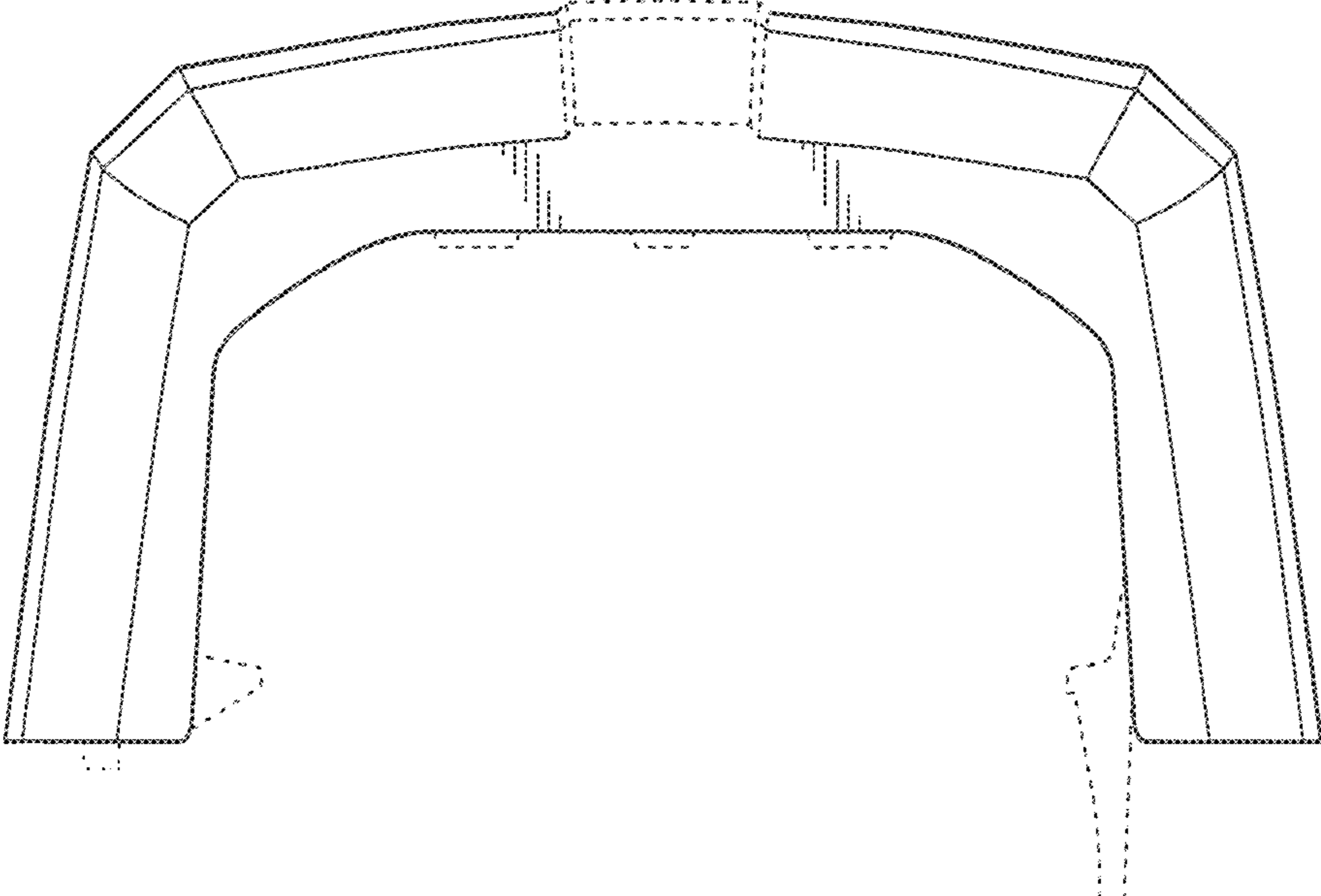


FIG. 3

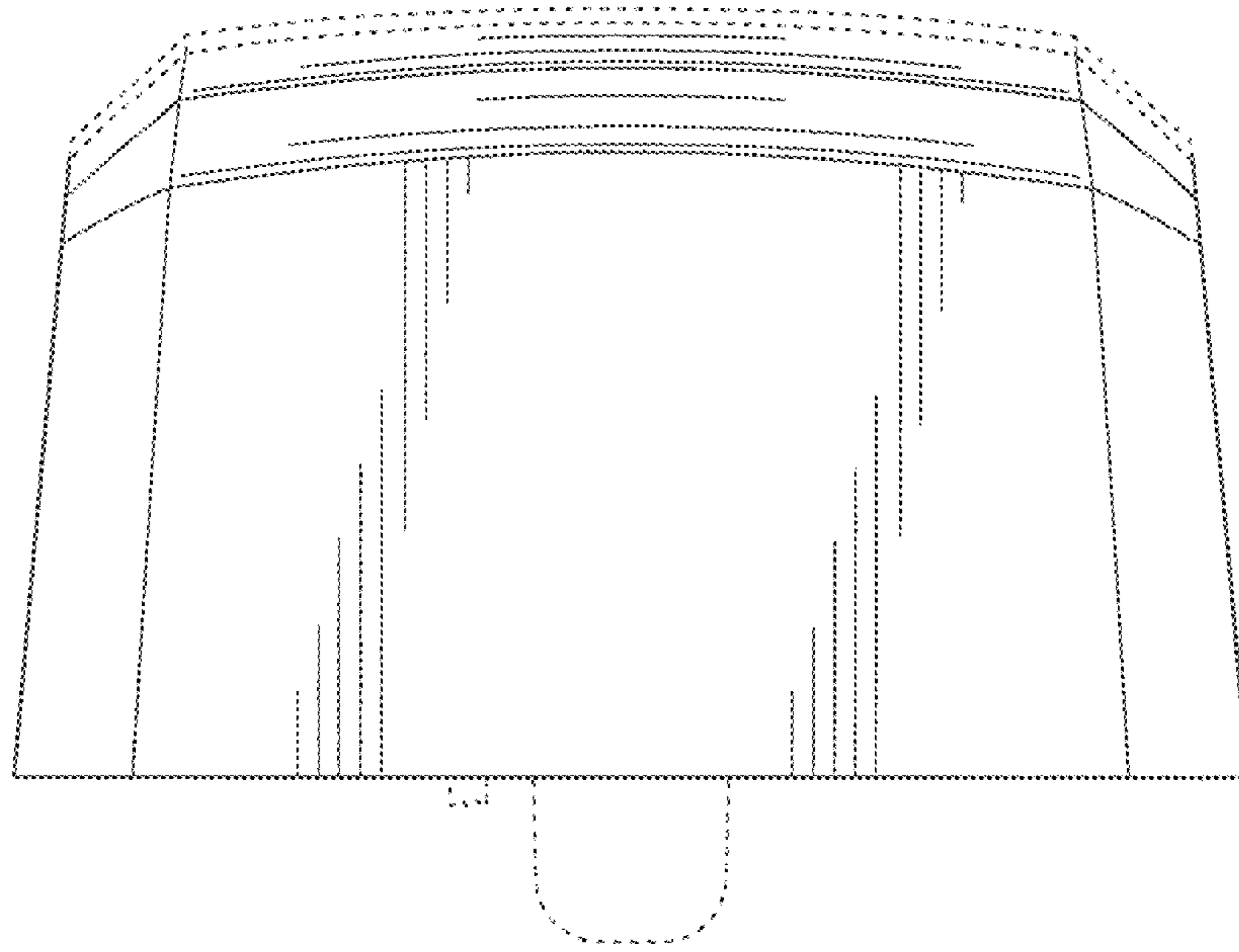


FIG. 4

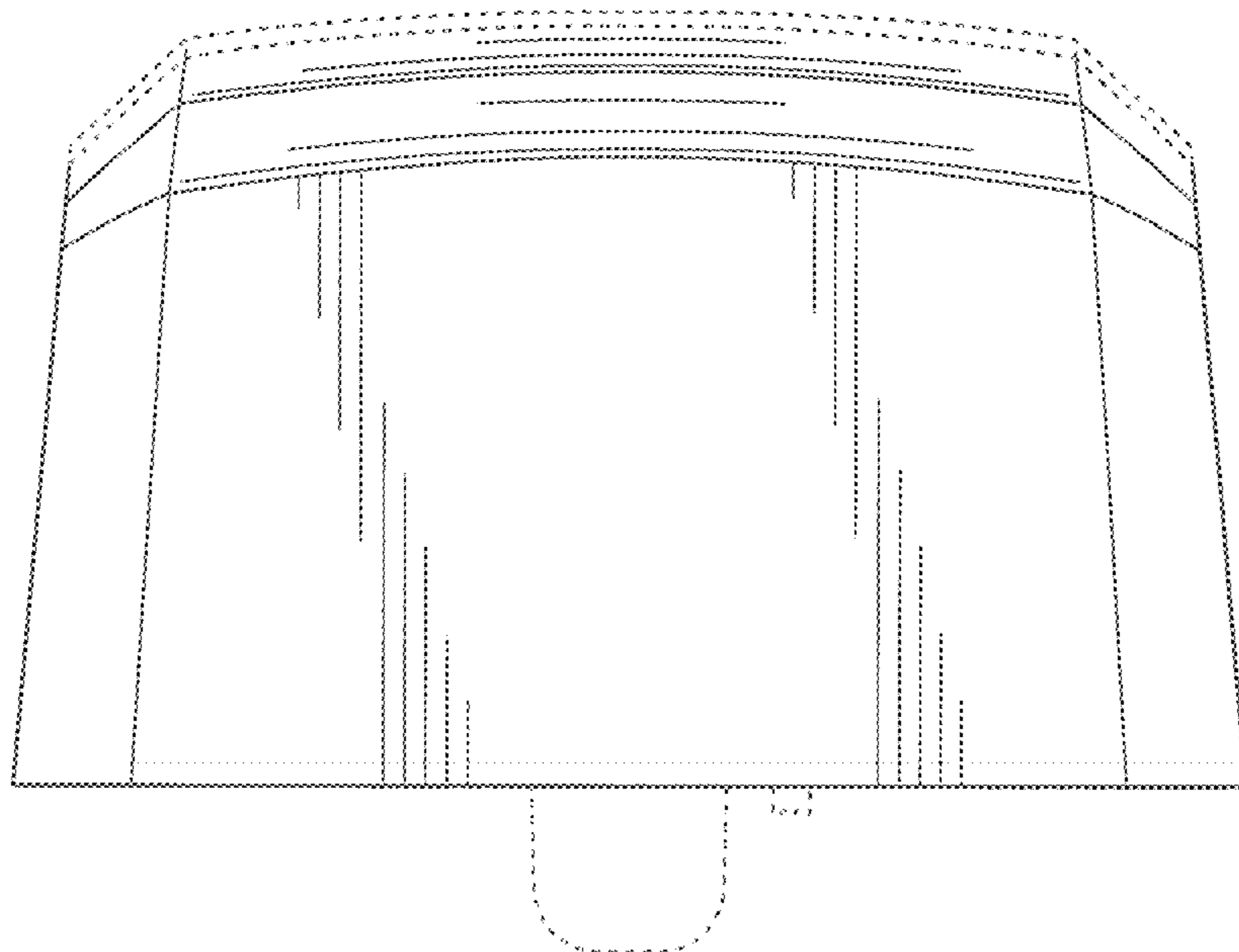


FIG. 5

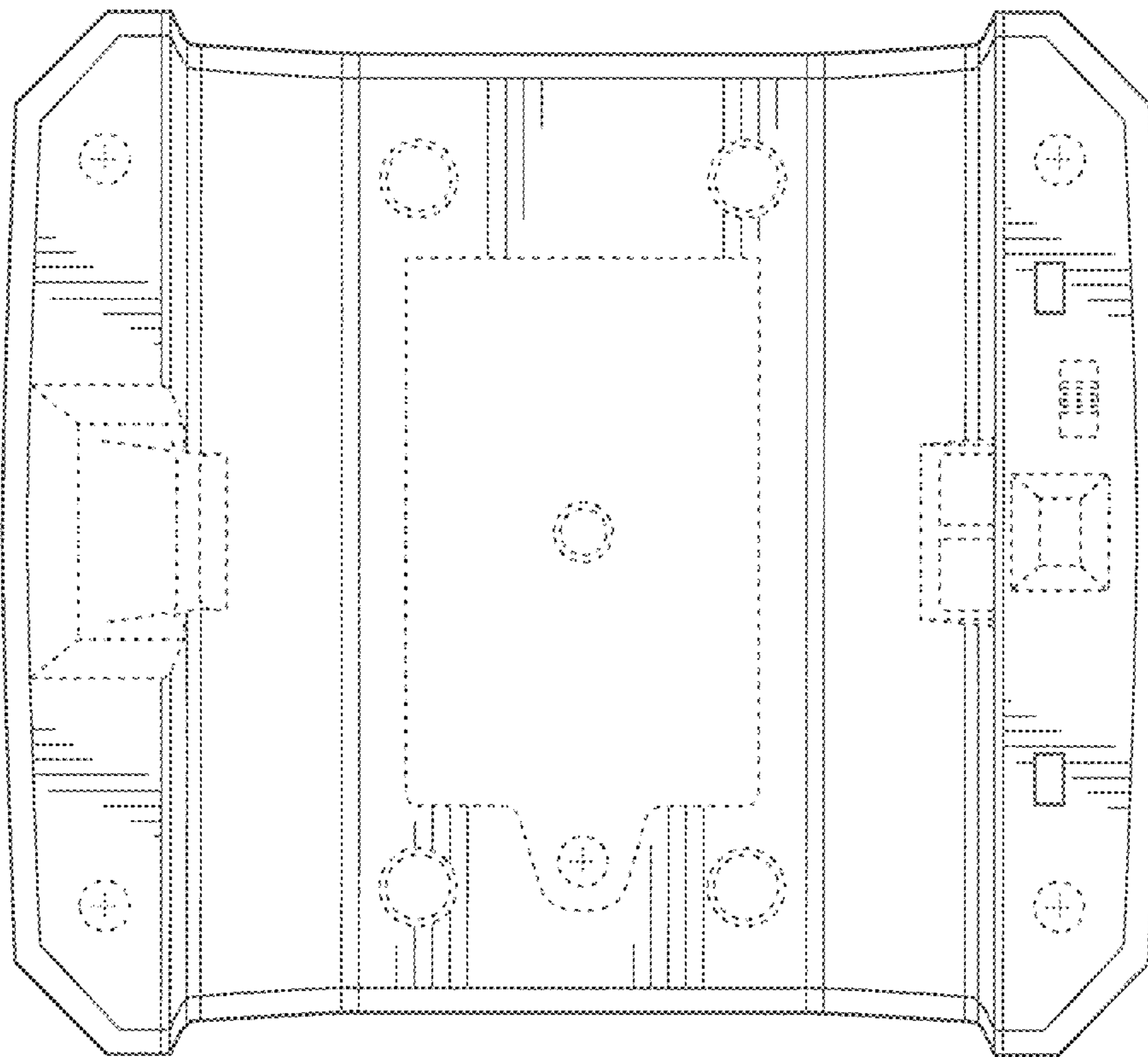


FIG. 6

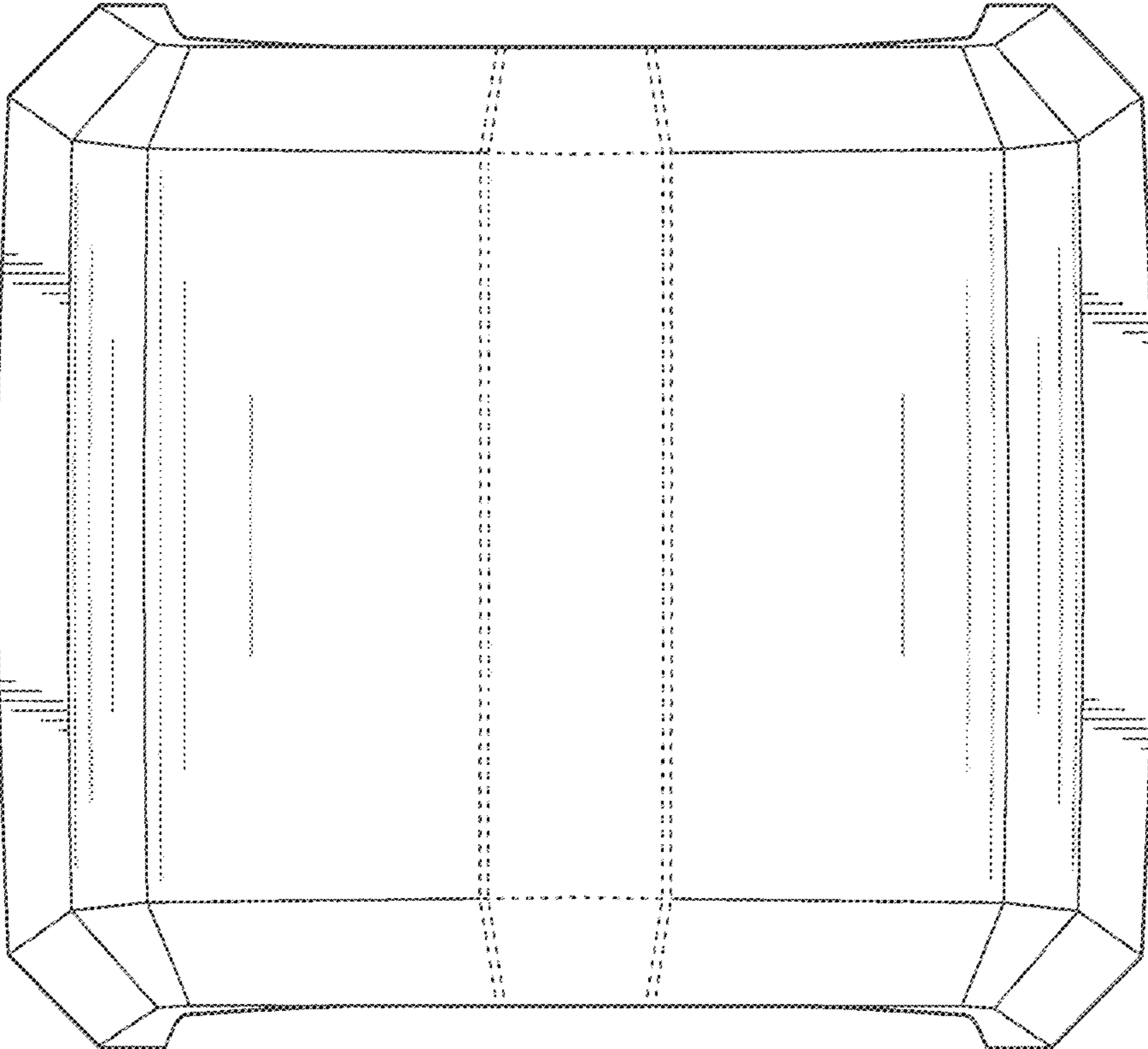


FIG. 7