



US00D835822S

(12) **United States Design Patent** (10) **Patent No.:** **US D835,822 S**  
**Koerth et al.** (45) **Date of Patent:** **\*\* Dec. 11, 2018**

(54) **MODULAR DECK LIGHT**  
(71) Applicant: **Lacks Home Products**, Kentwood, MI (US)  
(72) Inventors: **Aaron Koerth**, Hudsonville, MI (US); **Michael S. Modrusic**, Granite City, IL (US)  
(73) Assignee: **Lacks Home Products**, Kentwood, MI (US)

(\*\*) Term: **15 Years**

(21) Appl. No.: **29/599,464**

(22) Filed: **Apr. 4, 2017**

(51) **LOC (11) Cl.** ..... **26-05**

(52) **U.S. Cl.**  
USPC ..... **D26/60**

(58) **Field of Classification Search**  
USPC ..... D10/104.1, 106.1, 106.6, 106.8;  
D25/133, 135, 136; D26/10, 37, 38, 40,  
D26/51, 60, 67, 68, 72, 76, 78, 82, 85,  
D26/86, 104, 106, 145  
CPC ..... F21S 8/00; F21S 8/02; F21S 8/04; F21S  
8/003; F21S 8/006; F21S 6/00; F21S  
9/022; F21S 9/037  
See application file for complete search history.

(56) **References Cited**

**U.S. PATENT DOCUMENTS**

D140,862 S \* 4/1945 Conlan ..... D13/161  
D150,892 S \* 9/1948 Sacks ..... D26/104  
D180,535 S \* 6/1957 Stevens ..... D26/24  
D296,135 S \* 6/1988 Dreiling ..... D25/136  
4,825,590 A 5/1989 Cullinane  
5,118,059 A 6/1992 Mainer  
D393,417 S \* 4/1998 Glickman ..... D8/382  
5,772,185 A \* 6/1998 Pulsipher ..... E04D 3/405  
256/1  
D444,243 S \* 6/2001 Erwin ..... E04H 17/16  
D25/135

6,526,905 B2 3/2003 Hawk  
D476,555 S \* 7/2003 Niwa ..... D6/328  
D513,171 S \* 12/2005 Richardson ..... D25/133  
D551,774 S \* 9/2007 McGinness ..... D25/135  
D645,865 S \* 9/2011 Diehl ..... D14/299  
D649,680 S \* 11/2011 Trzesniowski ..... D26/138  
D649,692 S \* 11/2011 Trzesniowski ..... D26/138  
D658,977 S \* 5/2012 Riddell ..... D8/394

(Continued)

**FOREIGN PATENT DOCUMENTS**

KR 101498268 B1 3/2015

*Primary Examiner* — Kevin K Rudzinski

*Assistant Examiner* — Richard Kearney

(74) *Attorney, Agent, or Firm* — John S. Artz; Dickinson Wright PLLC

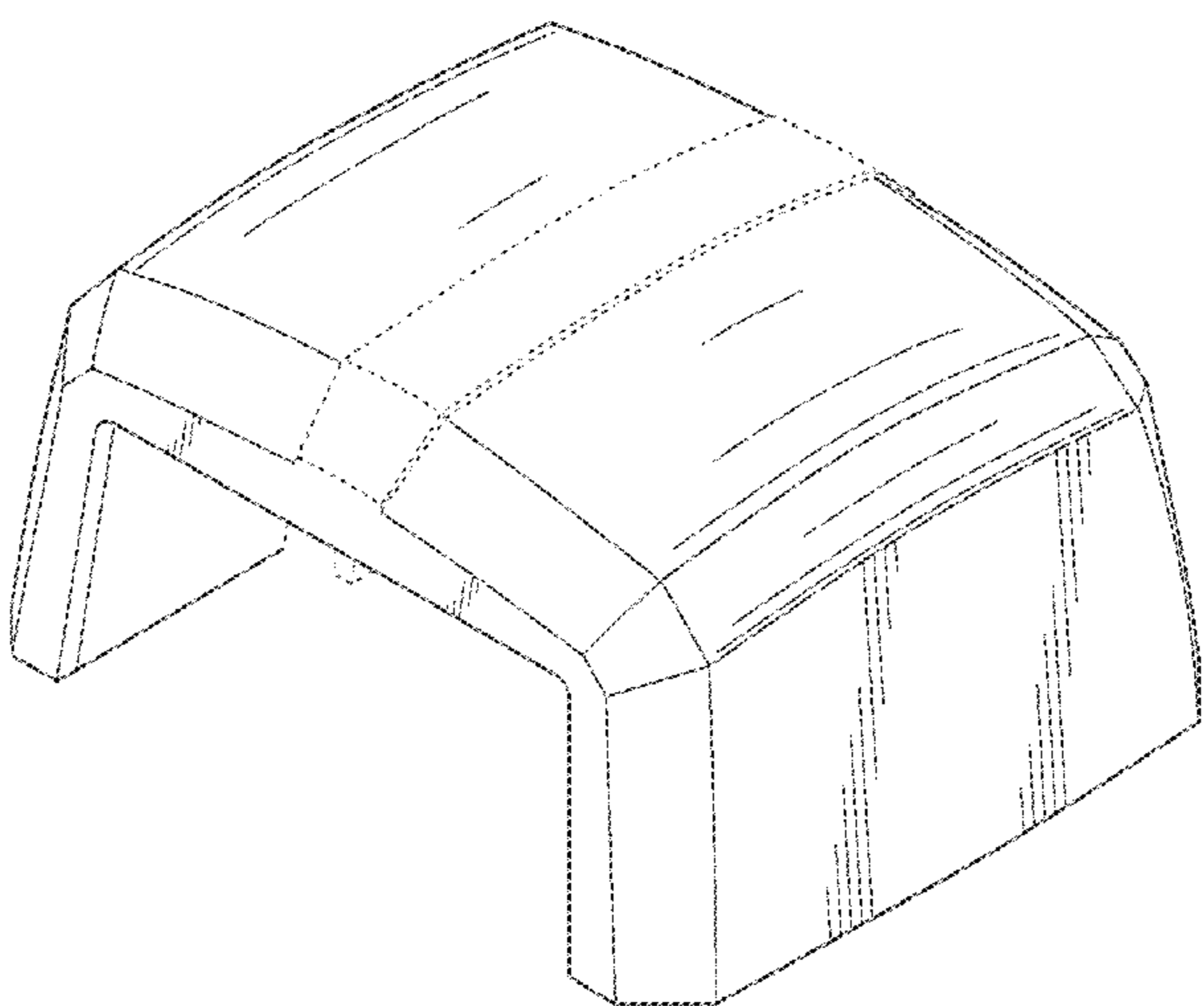
(57) **CLAIM**

We claim the ornamental design for a modular deck light, as shown and described.

**DESCRIPTION**

FIG. 1 is a perspective view of a modular deck light showing our new design;  
FIG. 2 is a first end view of the modular deck light of FIG. 1;  
FIG. 3 is a second end view of the modular deck light of FIG. 1;  
FIG. 4 is a first side view of the modular deck light of FIG. 1;  
FIG. 5 is a second side view of the modular deck light of FIG. 1;  
FIG. 6 is a bottom view of the modular deck light of FIG. 1; and,  
FIG. 7 is a top view of the modular deck light of FIG. 1.  
The broken lines in the drawings are included for the purpose of illustrating an environmental structure and form no part of the claimed design.

**1 Claim, 4 Drawing Sheets**



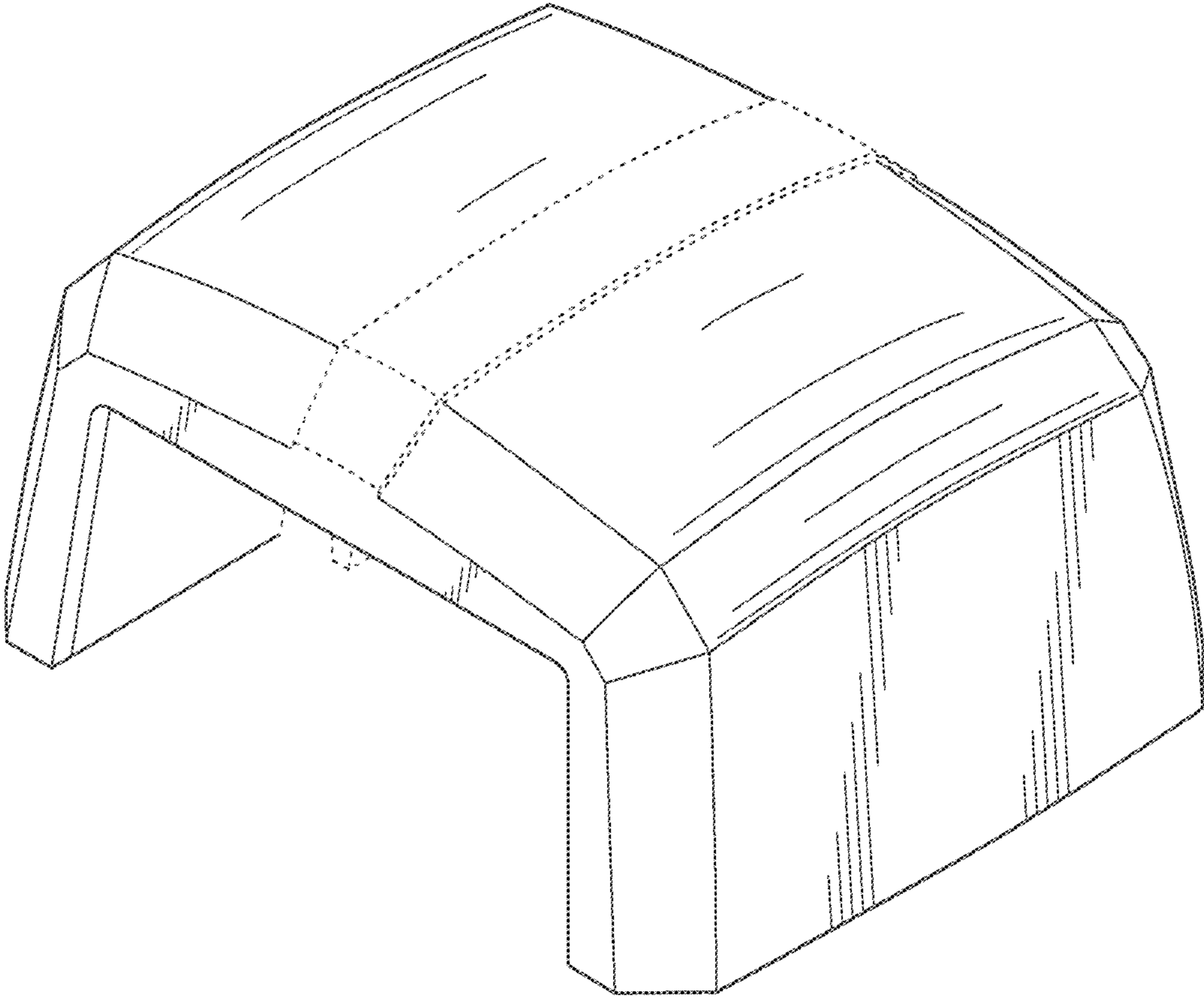
(56)

**References Cited**

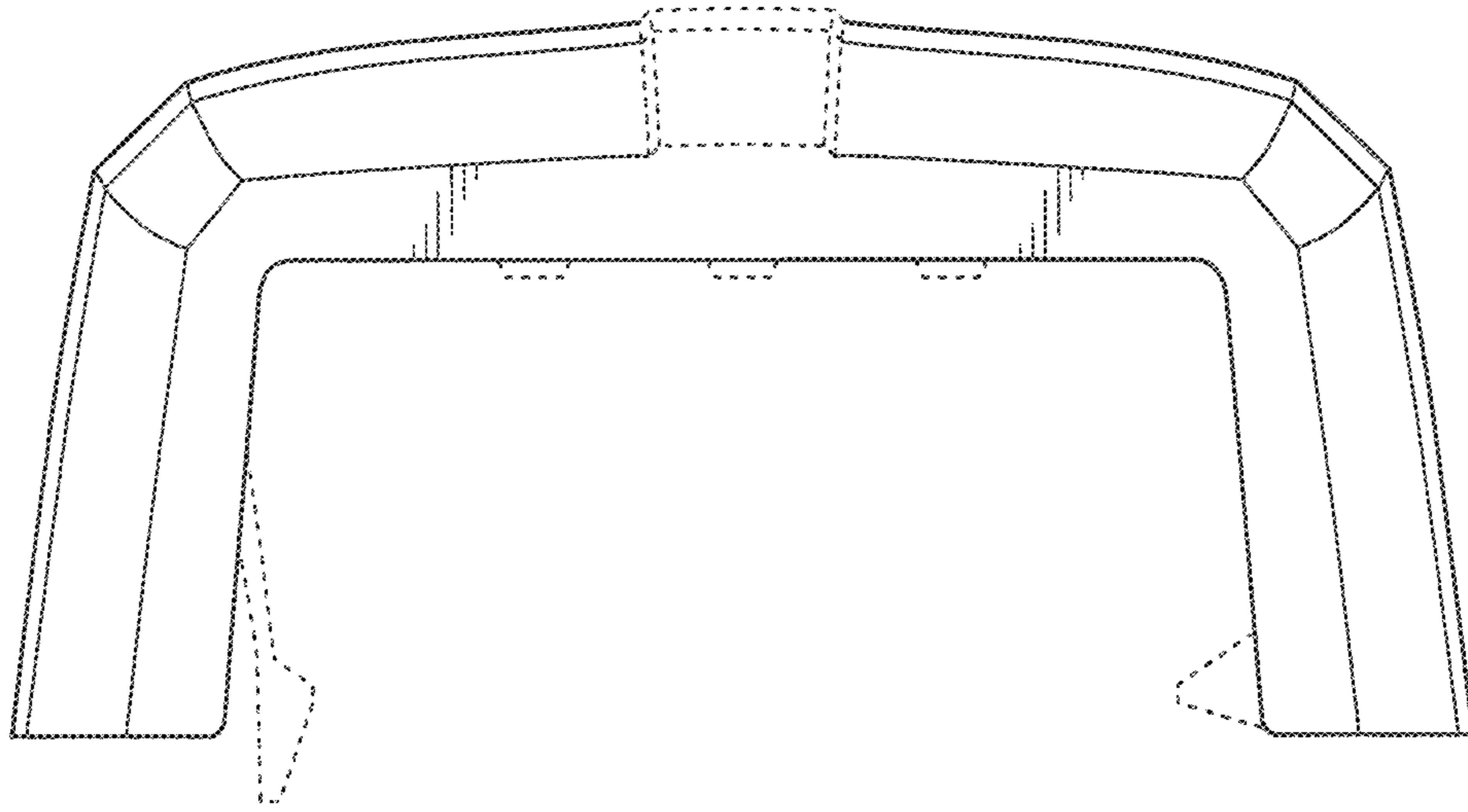
U.S. PATENT DOCUMENTS

D670,843 S \* 11/2012 von Waldthausen ..... D26/37  
D696,104 S \* 12/2013 Kampl ..... D8/394  
8,801,214 B2 8/2014 Chrysanthous  
9,206,951 B2 12/2015 McLennan et al.  
D757,215 S \* 5/2016 Gehrung ..... D23/226  
D788,625 S \* 6/2017 Hsieh ..... D10/106.6  
D806,460 S \* 1/2018 Gasser ..... D6/719  
D807,533 S \* 1/2018 Ray ..... D25/135  
2013/0076269 A1 3/2013 Shilton  
2015/0251735 A1 9/2015 O'Maley, Jr.  
2017/0241600 A1\* 8/2017 Beatenbough ..... F21S 8/04  
2017/0241626 A1\* 8/2017 Stuart ..... F21V 21/088

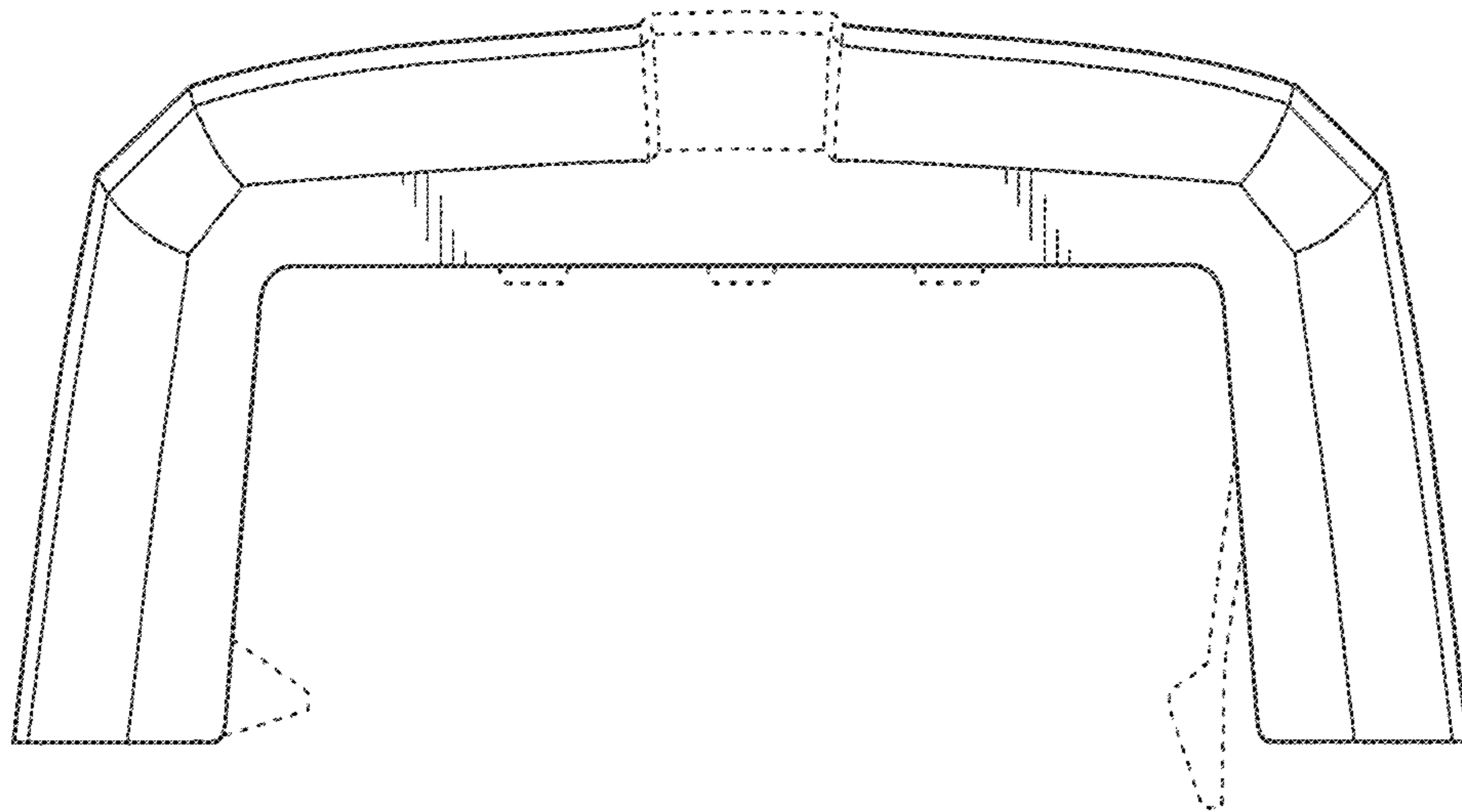
\* cited by examiner



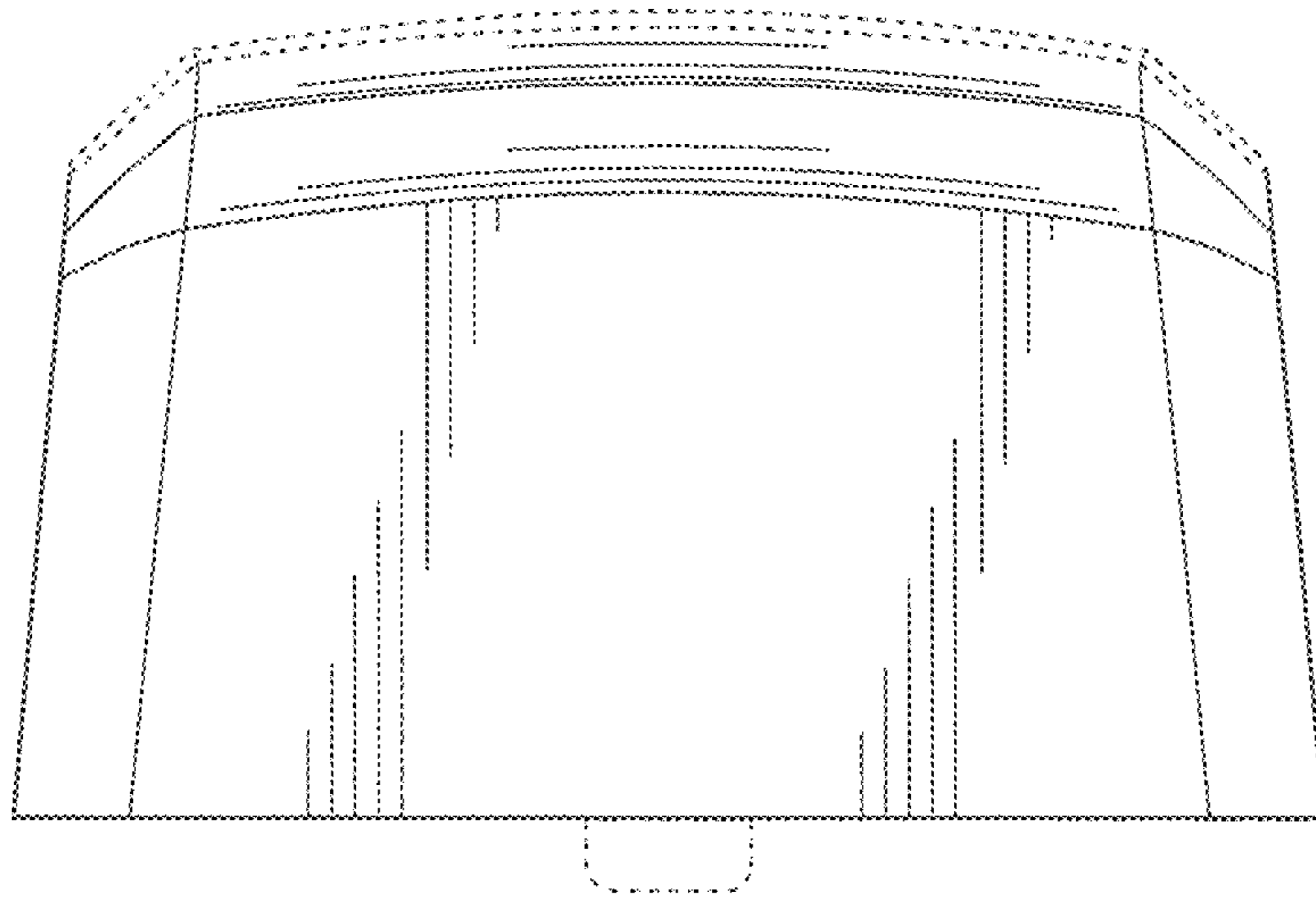
**FIG. 1**



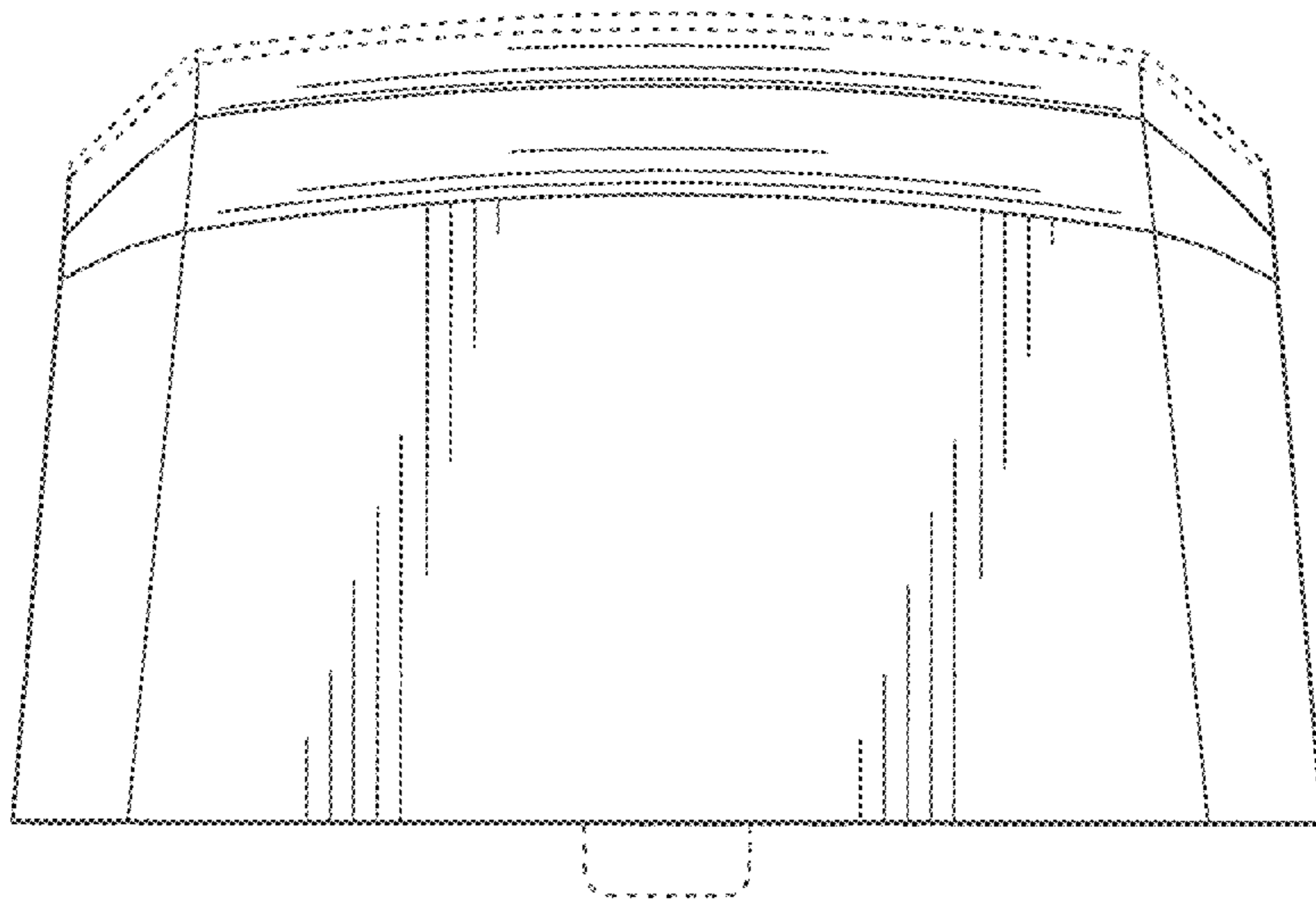
**FIG. 2**



**FIG. 3**



**FIG. 4**



**FIG. 5**

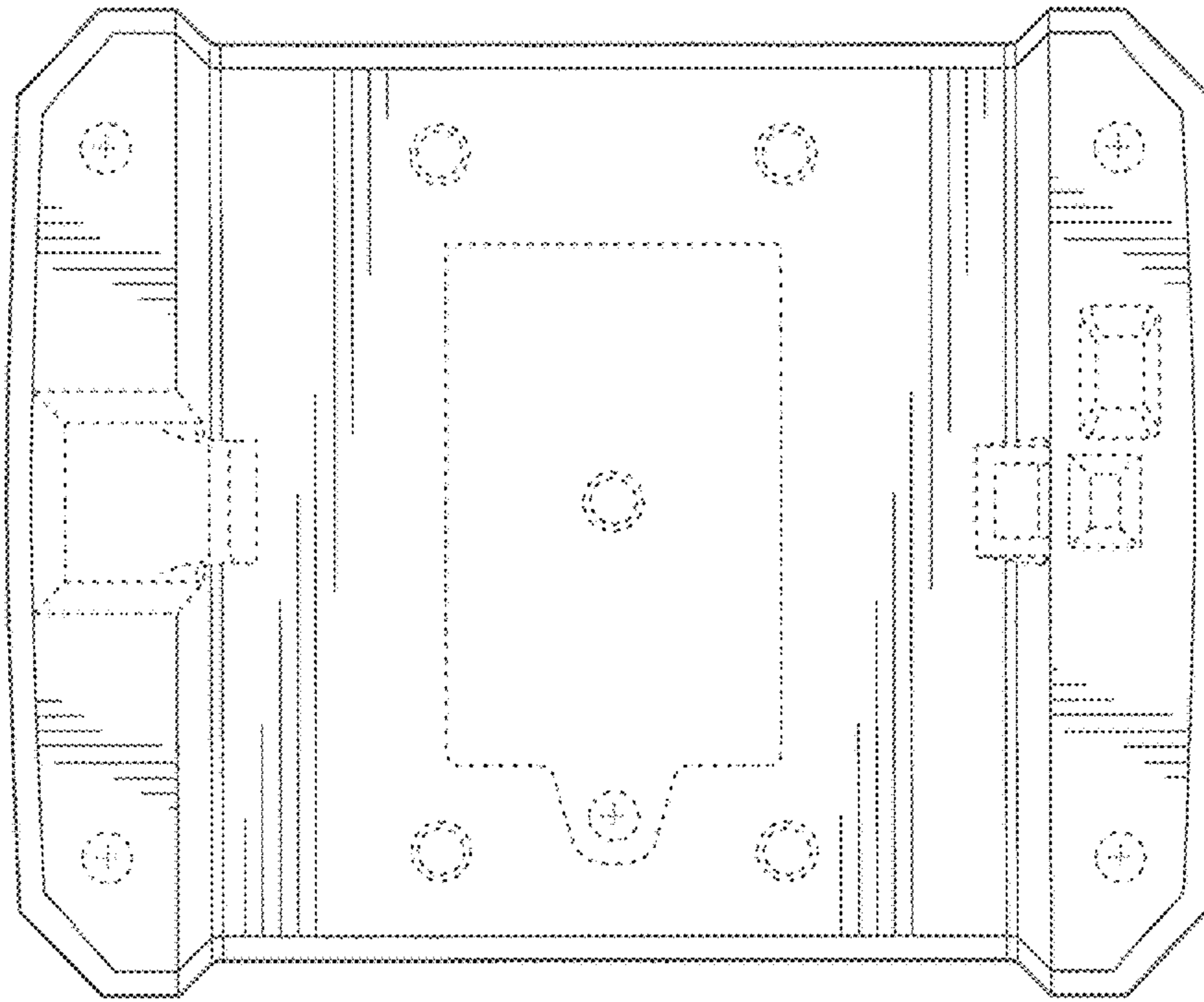


FIG. 6

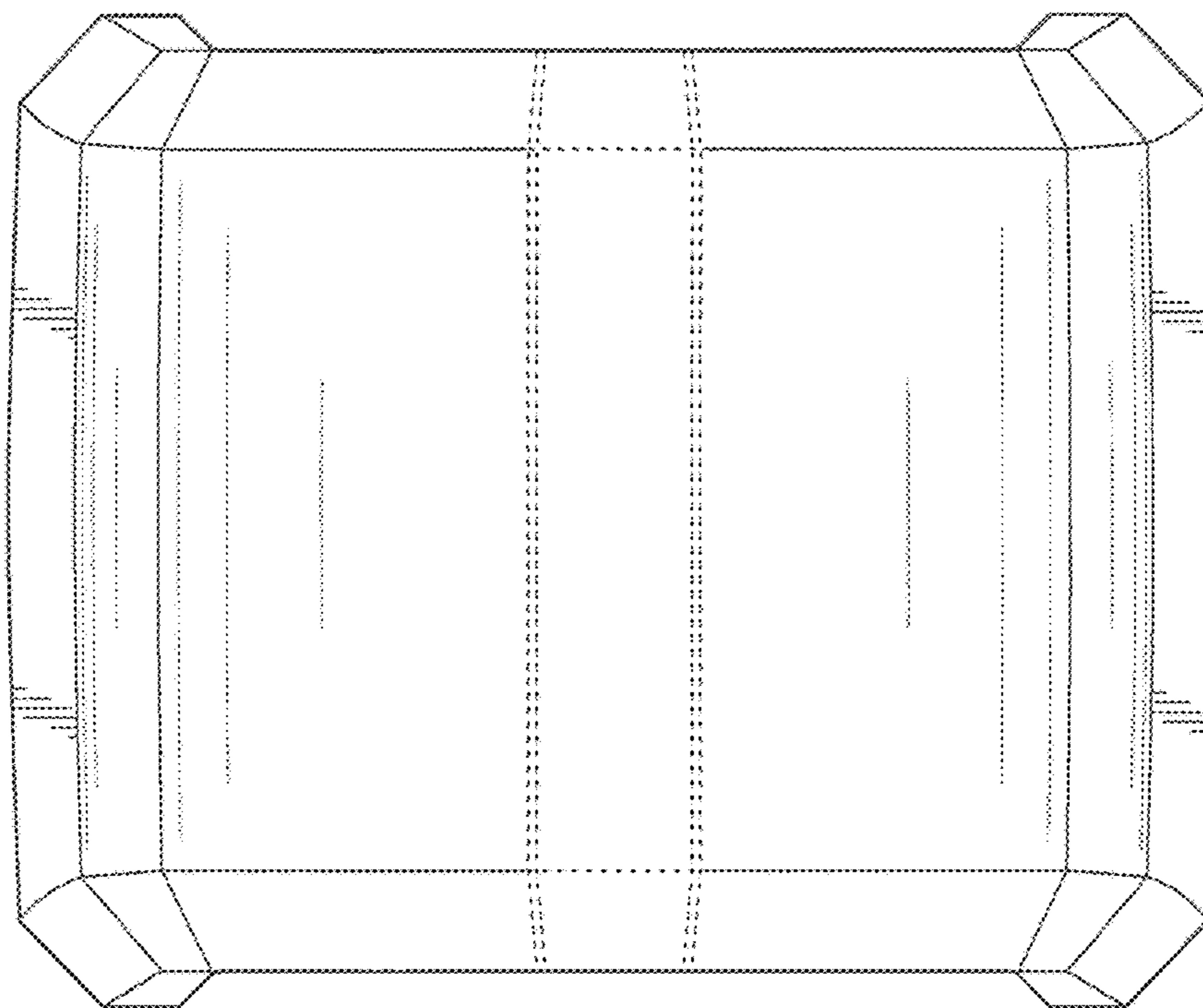


FIG. 7