



US00D835820S

(12) **United States Design Patent** (10) **Patent No.:** **US D835,820 S**  
**Zhu** (45) **Date of Patent:** **\*\* Dec. 11, 2018**

(54) **WORK LIGHT**  
(71) Applicant: **Ningbo Bright Max Co., Ltd.**, Ningbo, Zhejiang (CN)  
(72) Inventor: **Xuefeng Zhu**, Ningbo (CN)  
(73) Assignee: **Ningbo Bright Max Co., Ltd.** (CN)  
(\*\*) Term: **15 Years**

D732,220 S \* 6/2015 Bao ..... D26/63  
D735,387 S \* 7/2015 Bao ..... D26/63  
D738,022 S \* 9/2015 Shen ..... D26/50  
D742,058 S \* 10/2015 Chen ..... D26/109  
D744,139 S \* 11/2015 Itoh ..... D26/63  
D750,307 S \* 2/2016 Borring ..... D26/63  
D754,900 S \* 4/2016 Mumma ..... D26/60  
D779,092 S \* 2/2017 Xu ..... D26/37  
D813,431 S \* 3/2018 Cacciabeve ..... D26/37  
2006/0171145 A1\* 8/2006 Ford ..... F21L 4/027  
362/200

(21) Appl. No.: **29/610,320**  
(22) Filed: **Jul. 11, 2017**  
(51) **LOC (11) Cl.** ..... **26-02**  
(52) **U.S. Cl.**  
USPC ..... **D26/44; D26/63**  
(58) **Field of Classification Search**  
USPC ..... D26/37-51, 63  
CPC ..... F21L 2003/00; F21L 4/00; F21L 4/005;  
F21L 4/02; F21L 4/025; F21L 4/027;  
F21L 4/04; F21L 4/08; F21L 2005/00;  
F21L 7/00; F21L 11/00; F21L 13/00;  
F21L 13/04; F21L 13/08; F21L 14/02;  
F21L 17/00; F21L 19/00; F21L 25/00  
See application file for complete search history.

\* cited by examiner

*Primary Examiner* — Lakiya G Rogers  
*Assistant Examiner* — Carissa C Fitts

(56) **References Cited**  
U.S. PATENT DOCUMENTS  
5,720,543 A \* 2/1998 Sheps ..... F21L 15/02  
362/196  
D455,854 S \* 4/2002 Smith ..... D26/37  
D553,771 S \* 10/2007 Watson ..... D26/37  
D682,451 S \* 5/2013 Hardy ..... D26/60  
D702,863 S \* 4/2014 Kotsis ..... D26/37

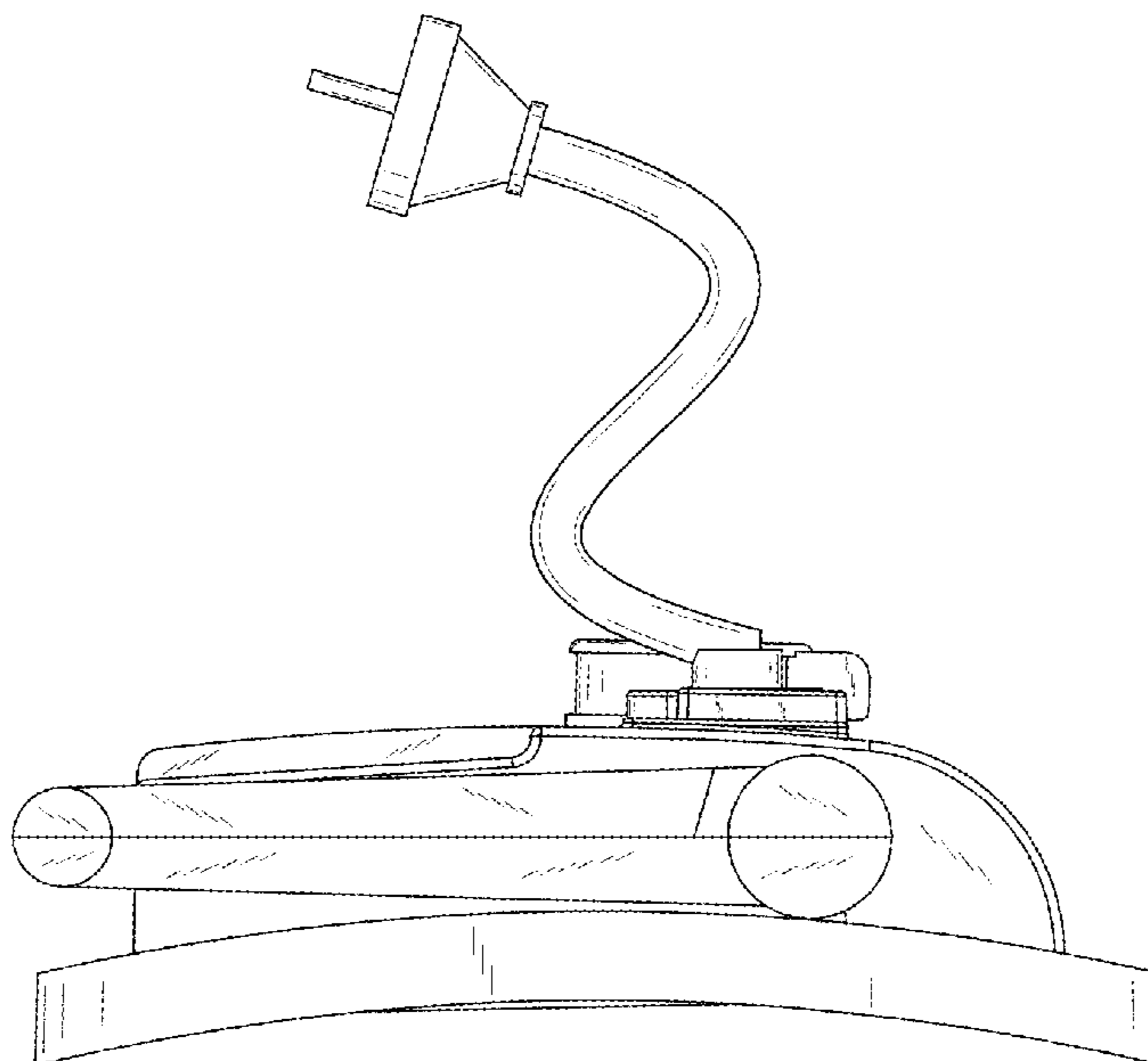
(57) **CLAIM**

The ornamental design for a work light, as shown and described.

**DESCRIPTION**

FIG. 1 is a left side view of the work light showing our new design;  
FIG. 2 is a right side view thereof;  
FIG. 3 is a bottom view thereof;  
FIG. 4 is a top view thereof;  
FIG. 5 is a back view thereof;  
FIG. 6 is a front view thereof;  
FIG. 7 is a back perspective view thereof; and,  
FIG. 8 is a front perspective view thereof.  
The broken lines show portions of the article which form no part of the claimed design.

**1 Claim, 7 Drawing Sheets**



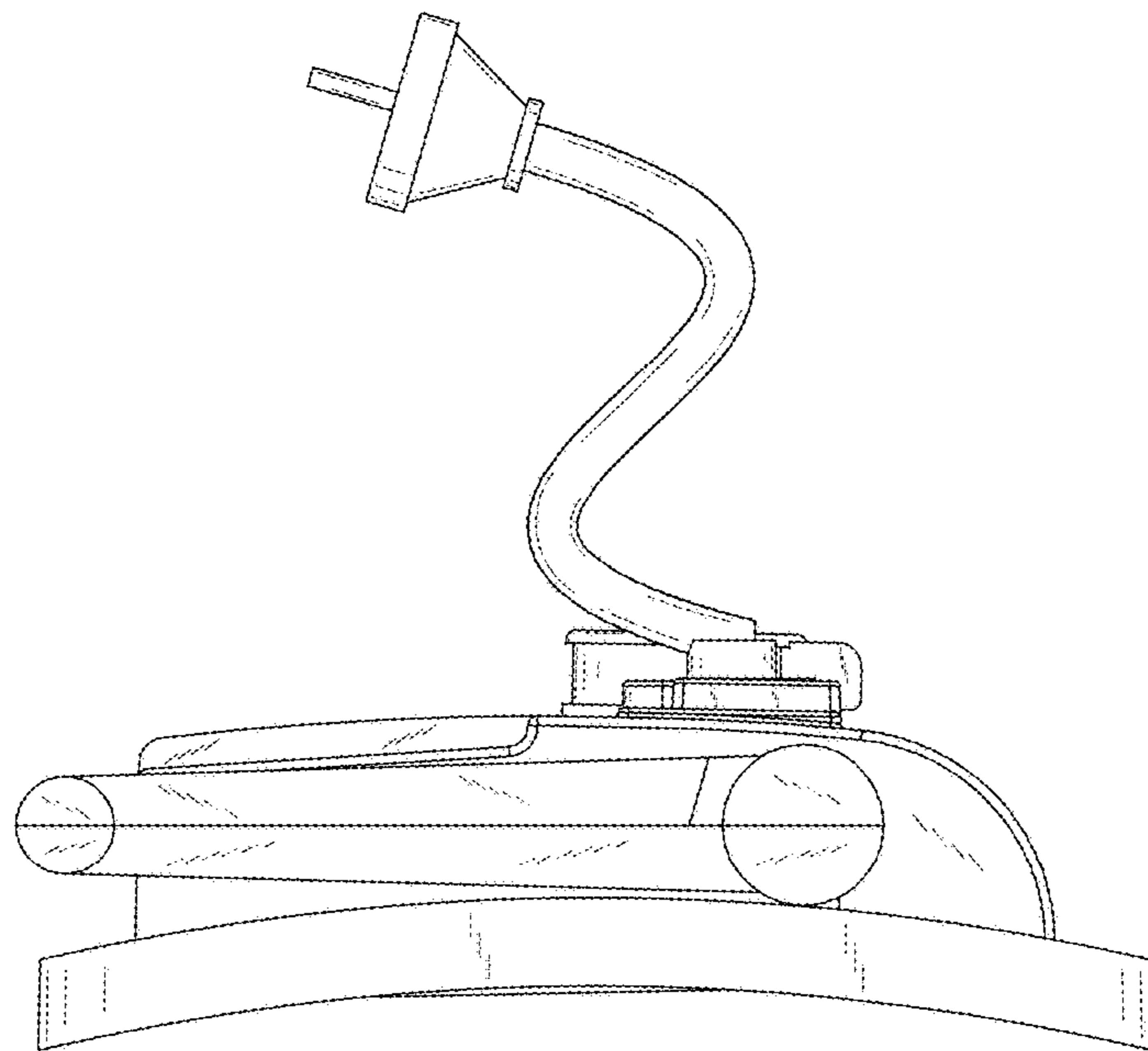


FIG.1

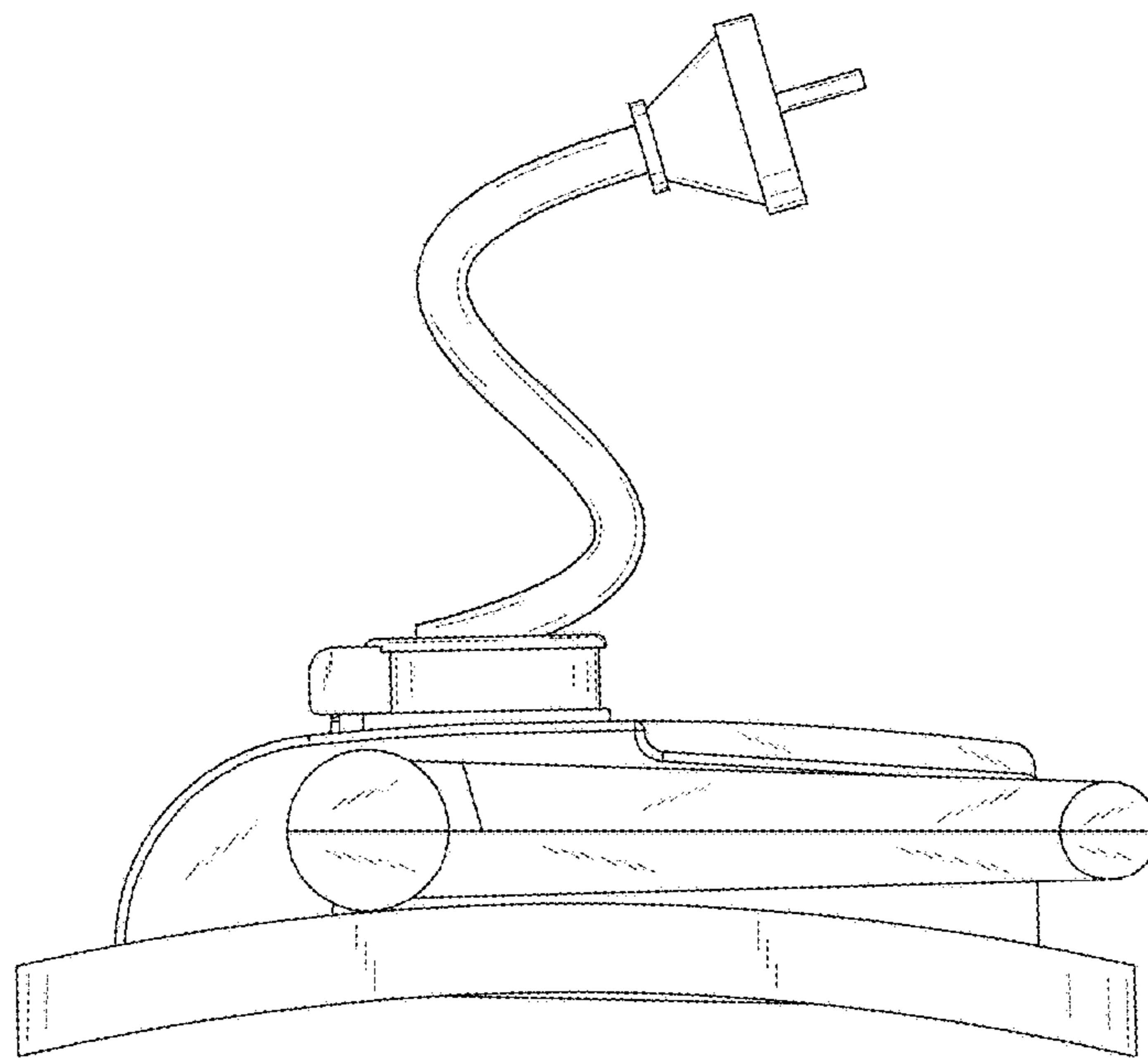


FIG.2

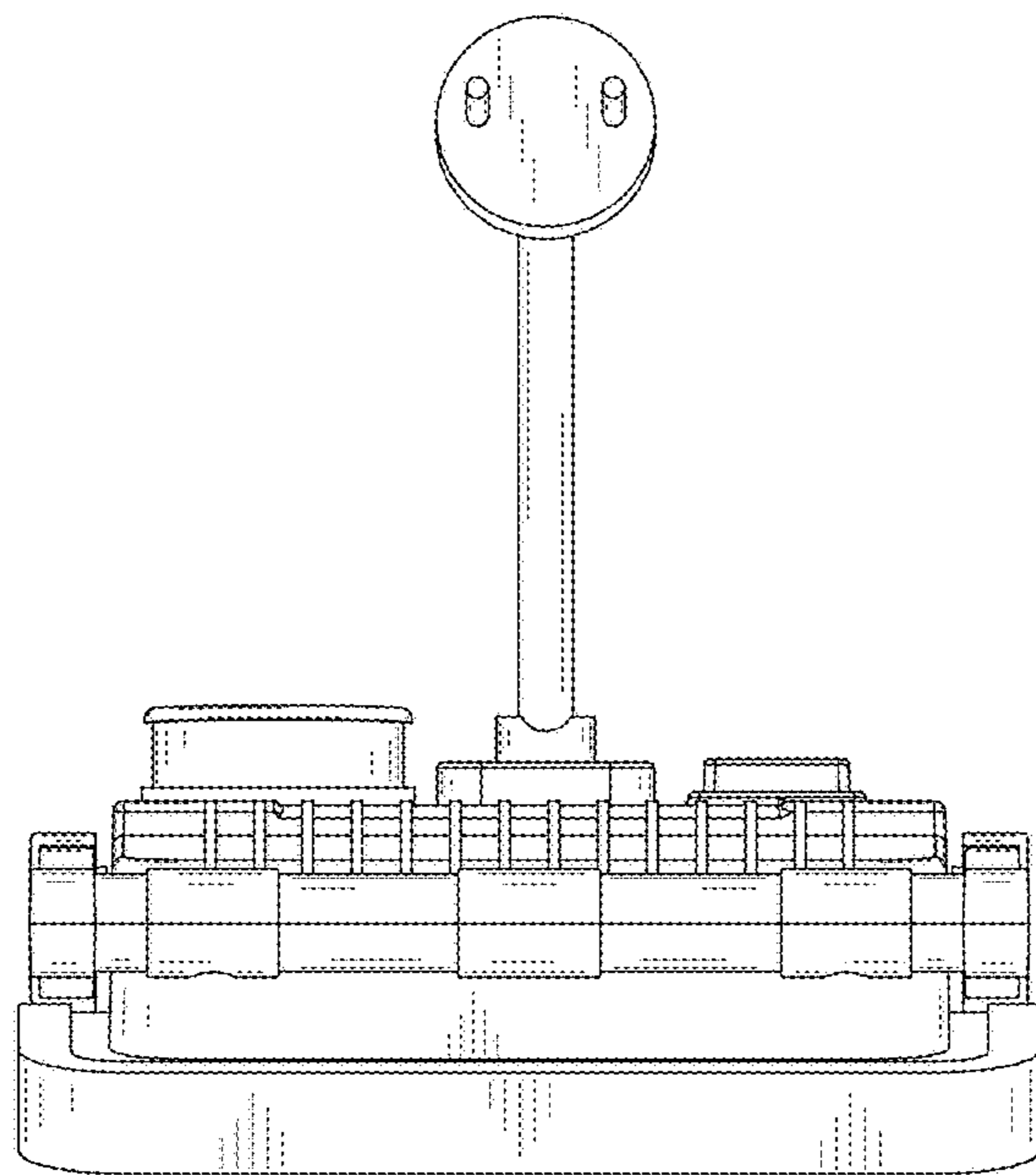


FIG.3

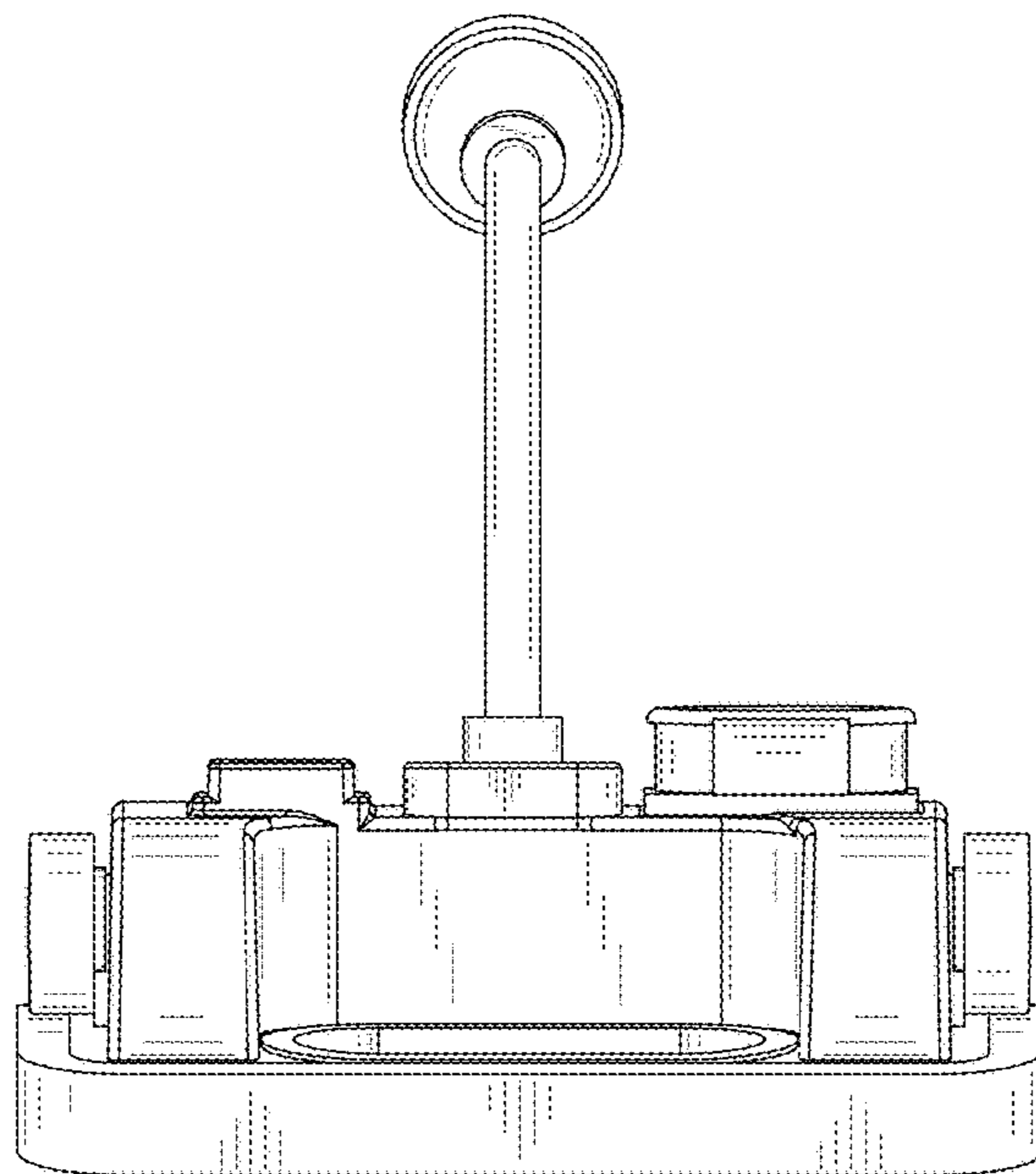


FIG.4

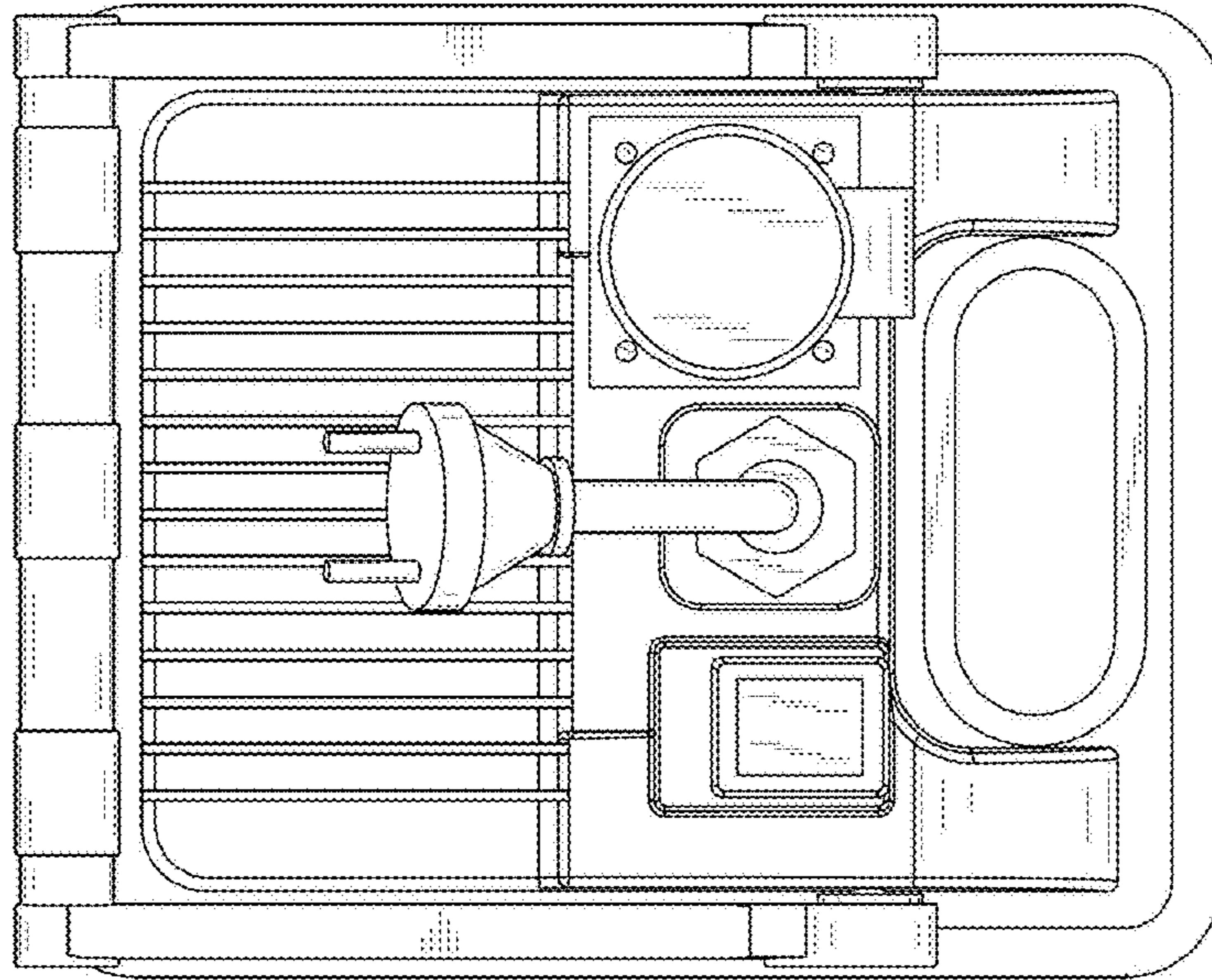


FIG. 5

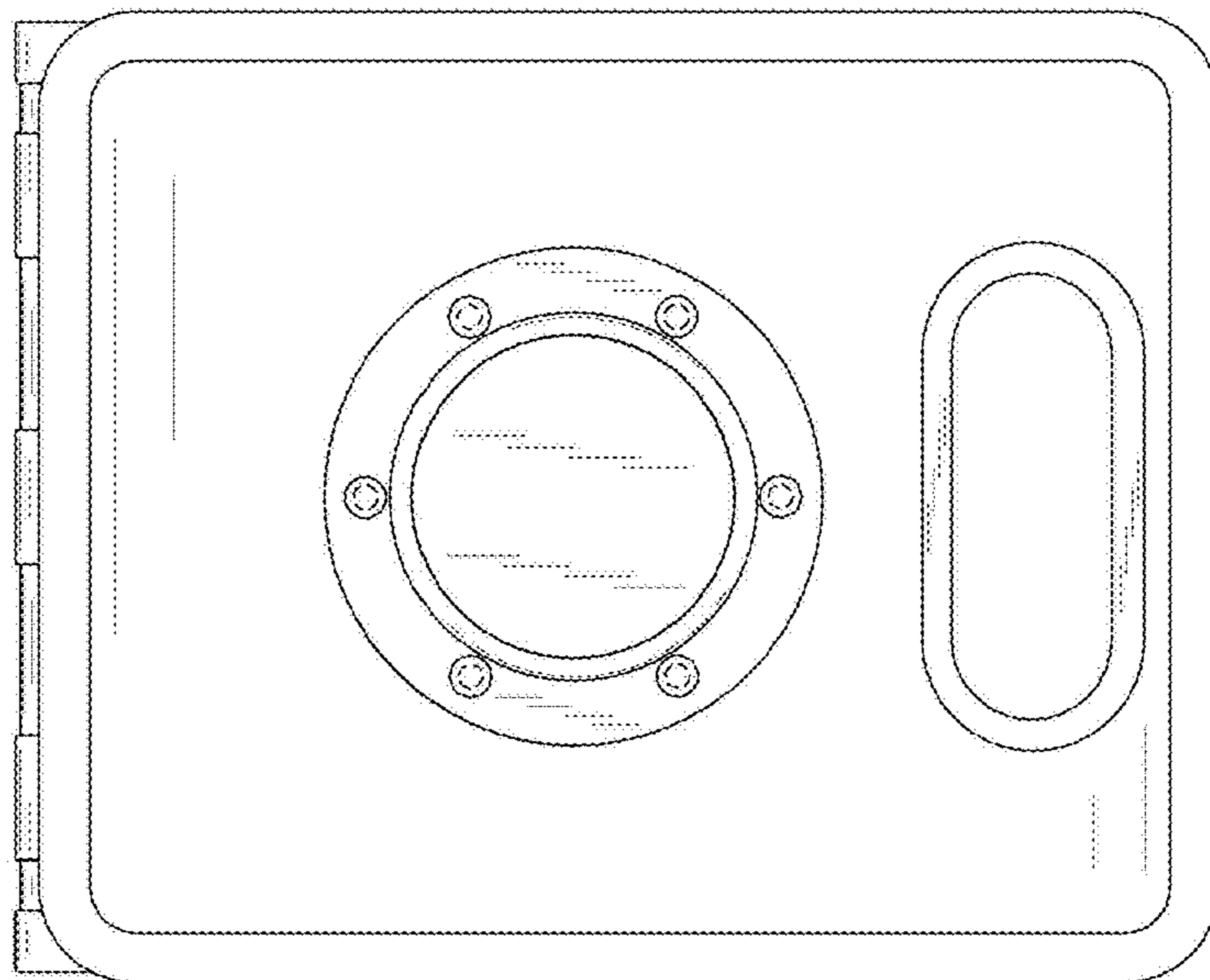


FIG. 6

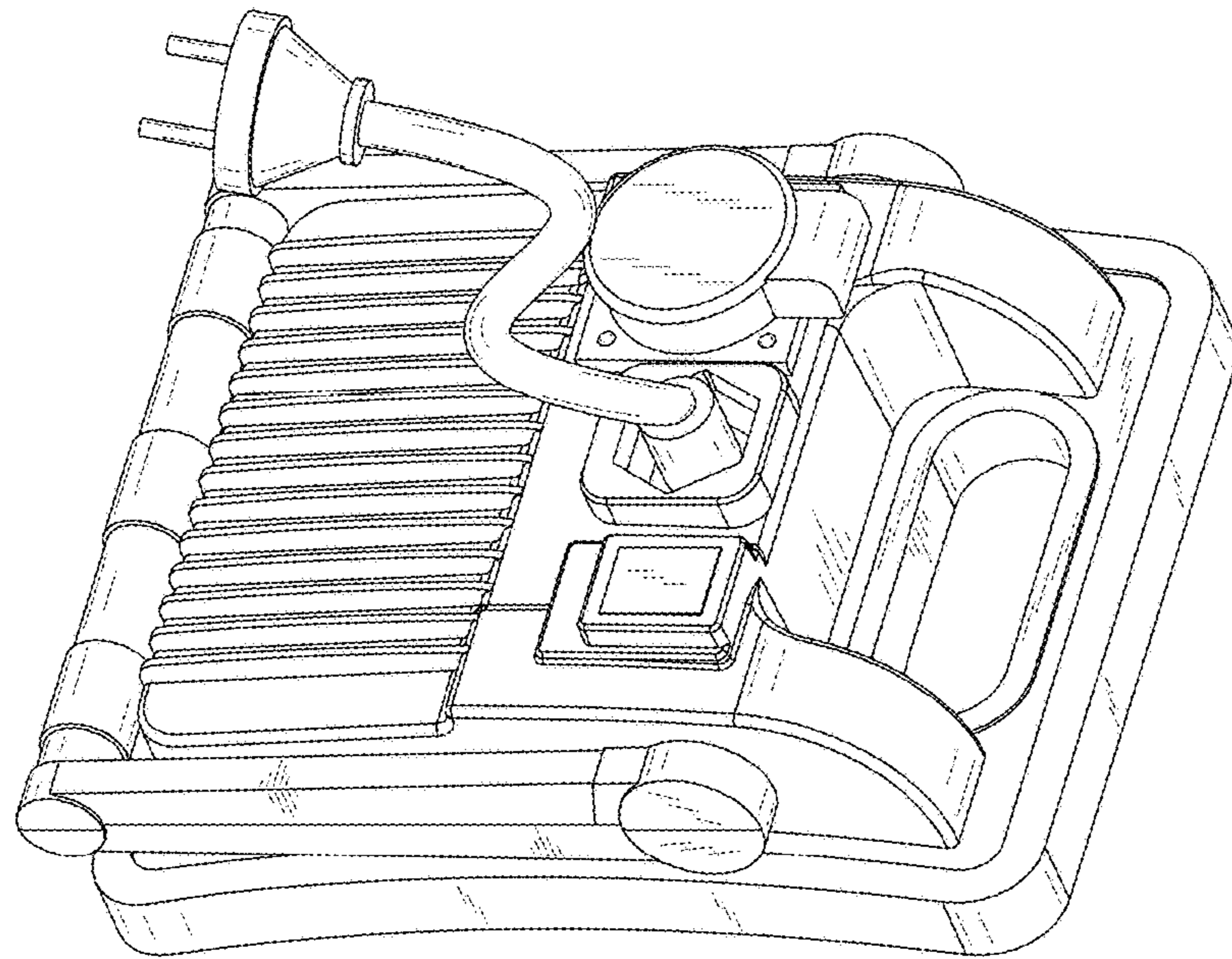


FIG. 7

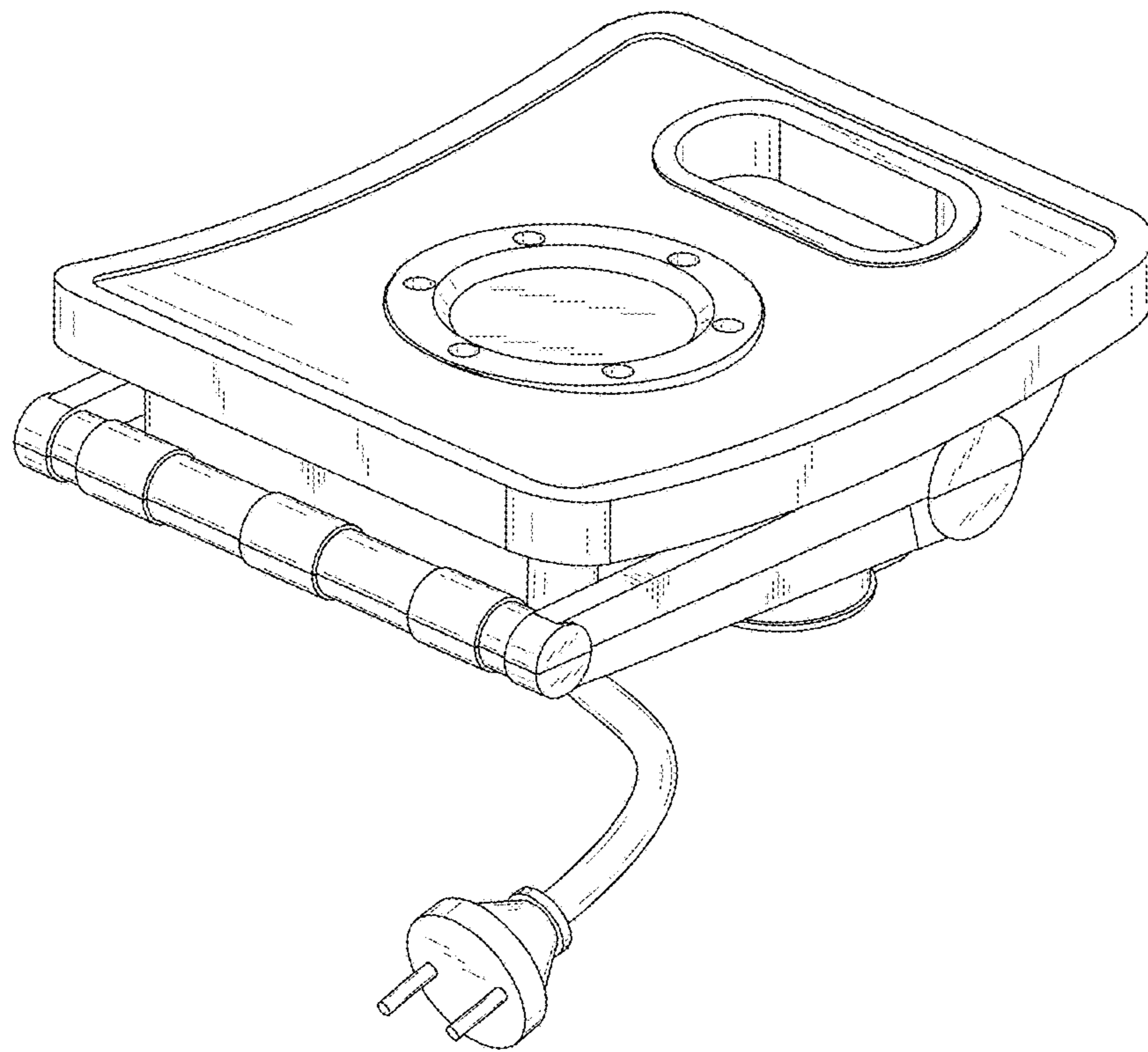


FIG.8