



US00D835818S

(12) **United States Design Patent** (10) **Patent No.:** **US D835,818 S**  
**Acosta, III** (45) **Date of Patent:** **\*\* Dec. 11, 2018**

(54) **VEHICLE HEADLIGHT**  
(71) Applicant: **John Manuel Acosta, III**, Yorba Linda, CA (US)  
(72) Inventor: **John Manuel Acosta, III**, Yorba Linda, CA (US)  
(\*\*) Term: **15 Years**

D739,058 S 9/2015 Hayez et al.  
D742,046 S 10/2015 Hwang  
D759,275 S 6/2016 Hwang  
D773,700 S 12/2016 Aoki  
9,534,740 B2 1/2017 Tokarz et al.  
D792,994 S 7/2017 Hwang  
D794,852 S 8/2017 Hwang  
9,726,333 B2 8/2017 Gianetta  
D808,551 S 1/2018 Chi  
D808,553 S 1/2018 Shengjin

(21) Appl. No.: **29/639,736**  
(22) Filed: **Mar. 8, 2018**  
(51) **LOC (11) Cl.** ..... **26-06**  
(52) **U.S. Cl.**  
USPC ..... **D26/28**  
(58) **Field of Classification Search**  
USPC ..... D26/28-36  
CPC ..... B60Q 9/13; B60Q 9/135; B60Q 9/1375;  
F21S 48/00; F21S 48/10; F21S 48/115;  
F21S 48/225; F21S 48/1233; F21S  
48/1266; F21S 48/1388; F21S 48/2268;  
F21V 21/04  
See application file for complete search history.

**FOREIGN PATENT DOCUMENTS**

CA 97350 S 7/2005

\* cited by examiner

*Primary Examiner* — Marcus A Jackson  
(74) *Attorney, Agent, or Firm* — Karima Gulick

(57) **CLAIM**

The ornamental design for a vehicle headlight, as shown and described.

**DESCRIPTION**

FIG. 1 is a perspective front view of a vehicle headlight in environmental conditions showing my new design; FIG. 2 shows a perspective side view thereof; FIG. 3 shows a front view thereof; FIG. 4 shows a top plan view thereof; FIG. 5 shows a bottom plan view thereof; FIG. 6 shows a left side view thereof; and, FIG. 7 shows a right side view thereof. The broken lines of the figures showing additional portions of the vehicle are included for the purpose of illustrating environmental structure and form no part of the claimed design.

(56) **References Cited**  
U.S. PATENT DOCUMENTS  
D490,172 S \* 5/2004 Yamamoto ..... D26/28  
D564,683 S \* 3/2008 Roach ..... D26/28  
D571,500 S 6/2008 Lin  
D573,736 S 7/2008 Poon  
D626,670 S \* 11/2010 Metzger ..... D26/28  
D675,757 S 2/2013 Hanson  
D688,400 S \* 8/2013 Haumann ..... D26/28  
D716,477 S \* 10/2014 Chu ..... D26/28  
D718,478 S \* 11/2014 Adams ..... D26/28  
D720,869 S 1/2015 Knoedle-Bunte  
D723,722 S 3/2015 Negrete

**1 Claim, 4 Drawing Sheets**

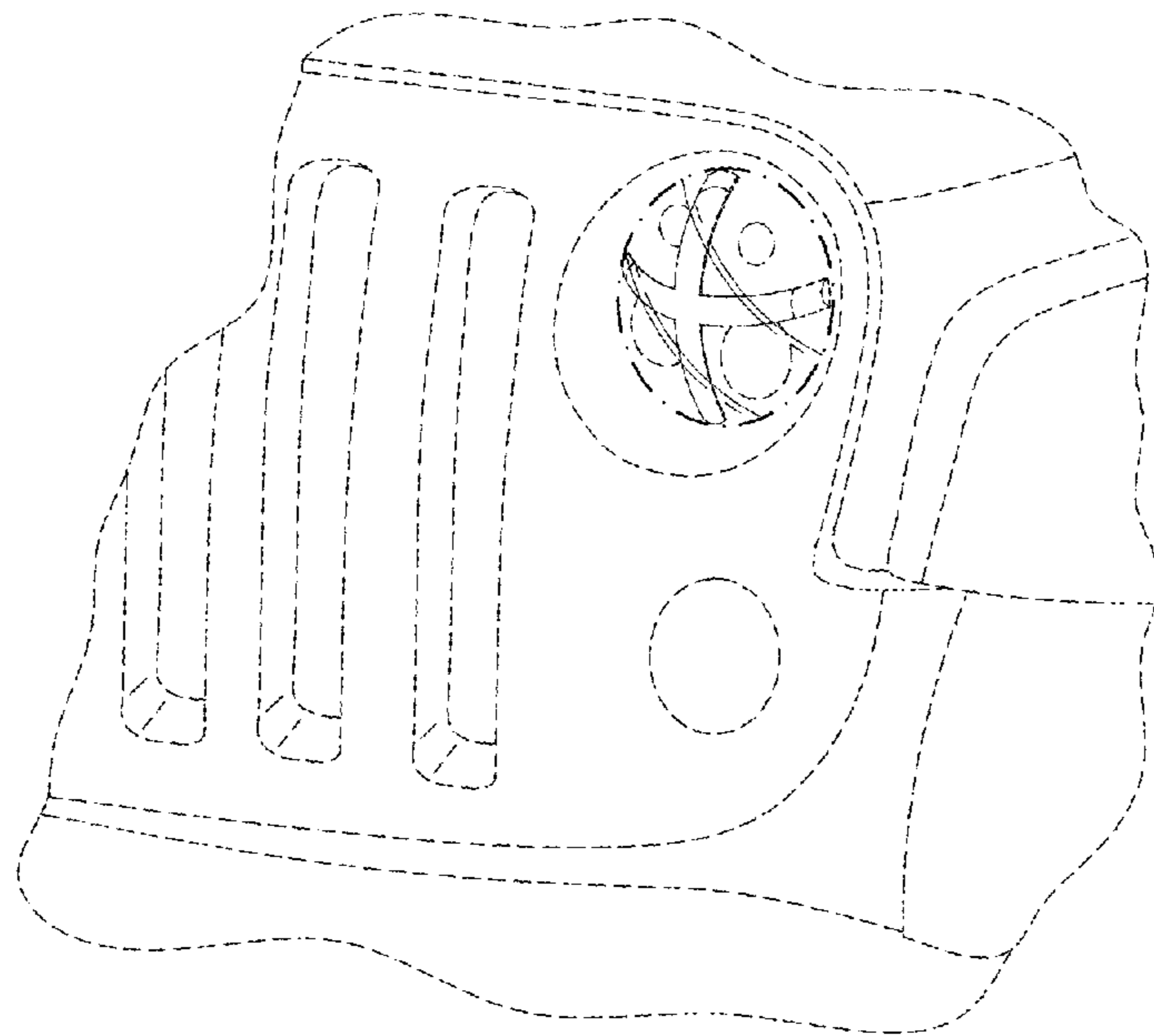


FIG. 1

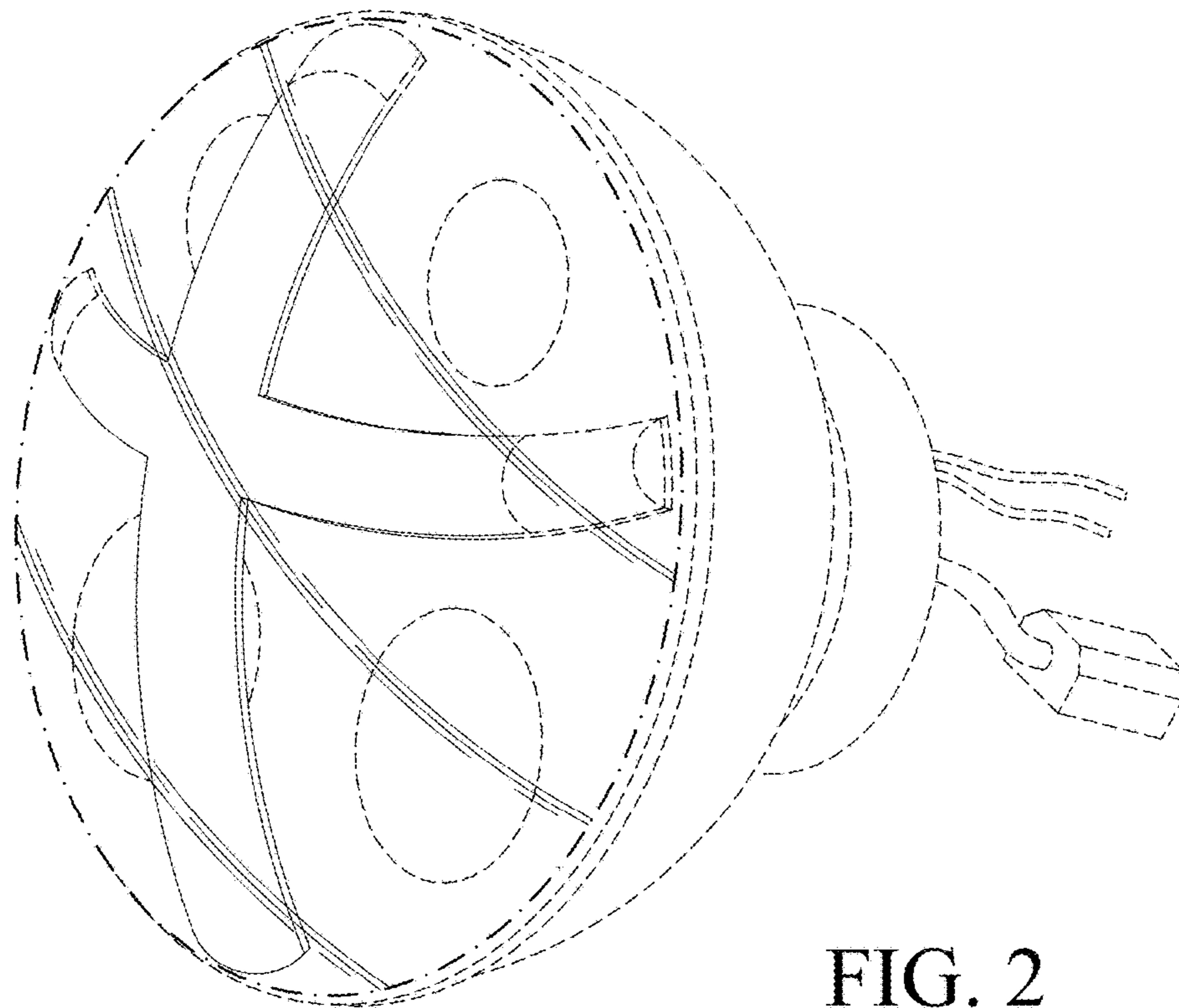
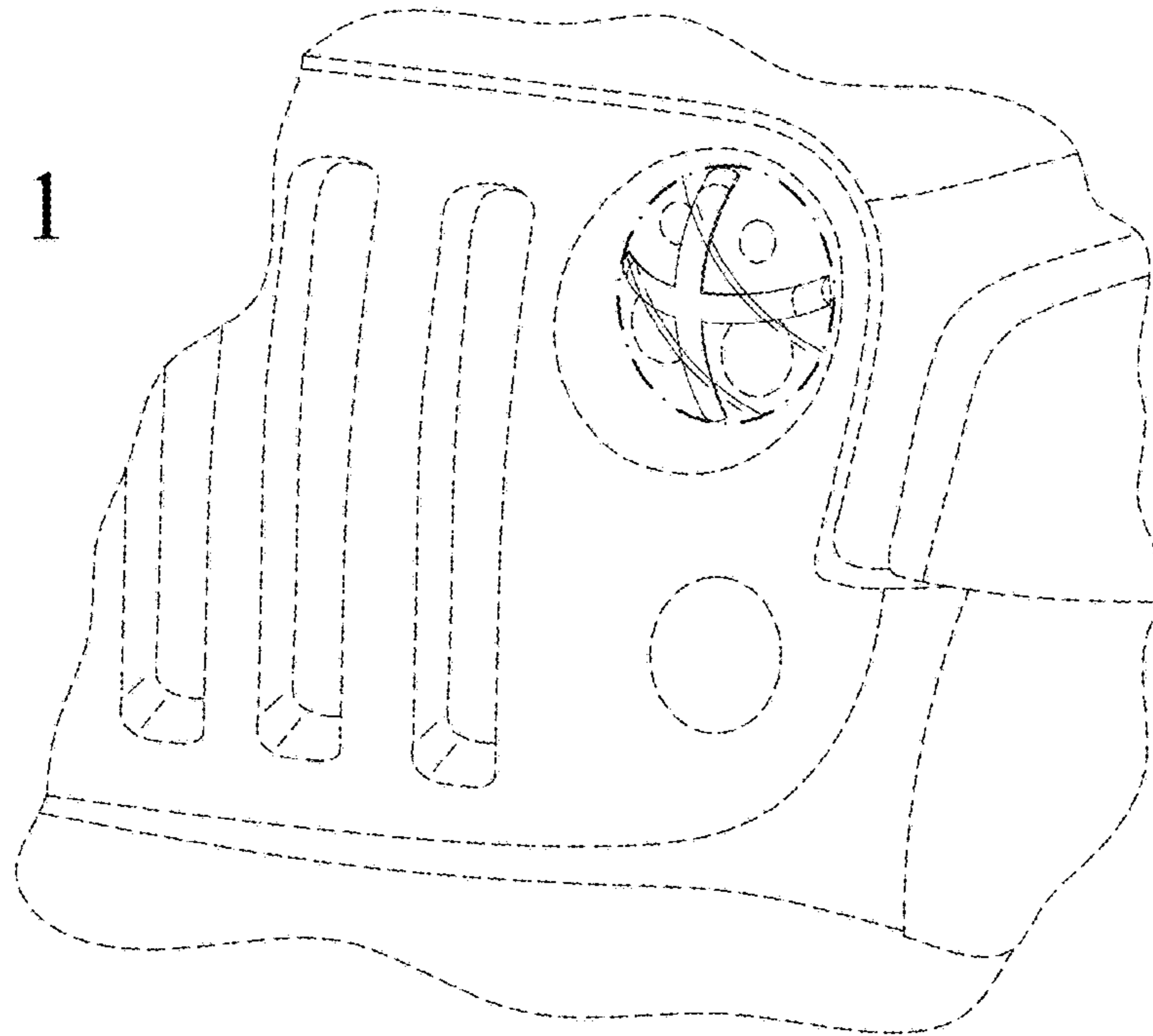


FIG. 2

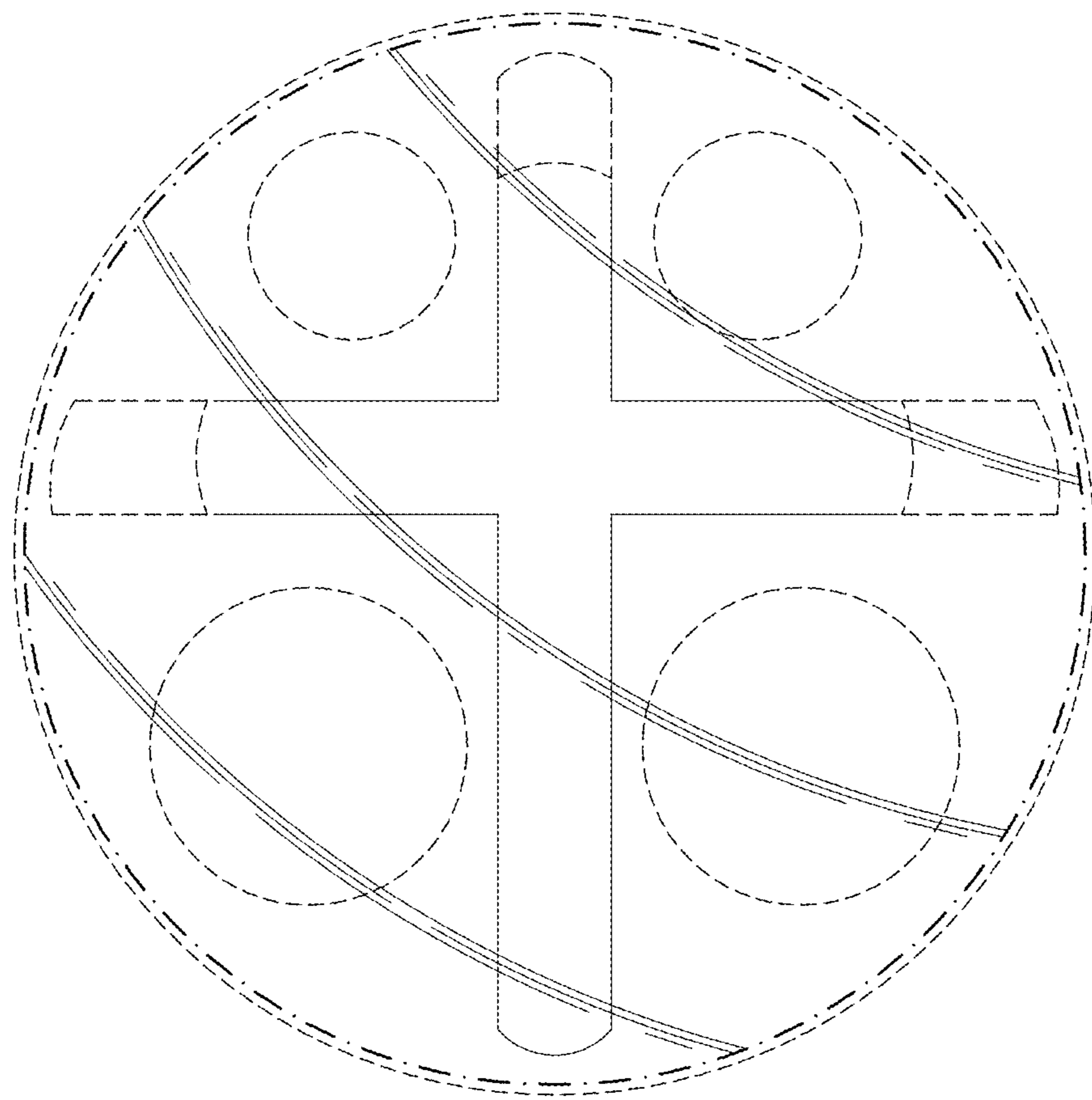


FIG. 3

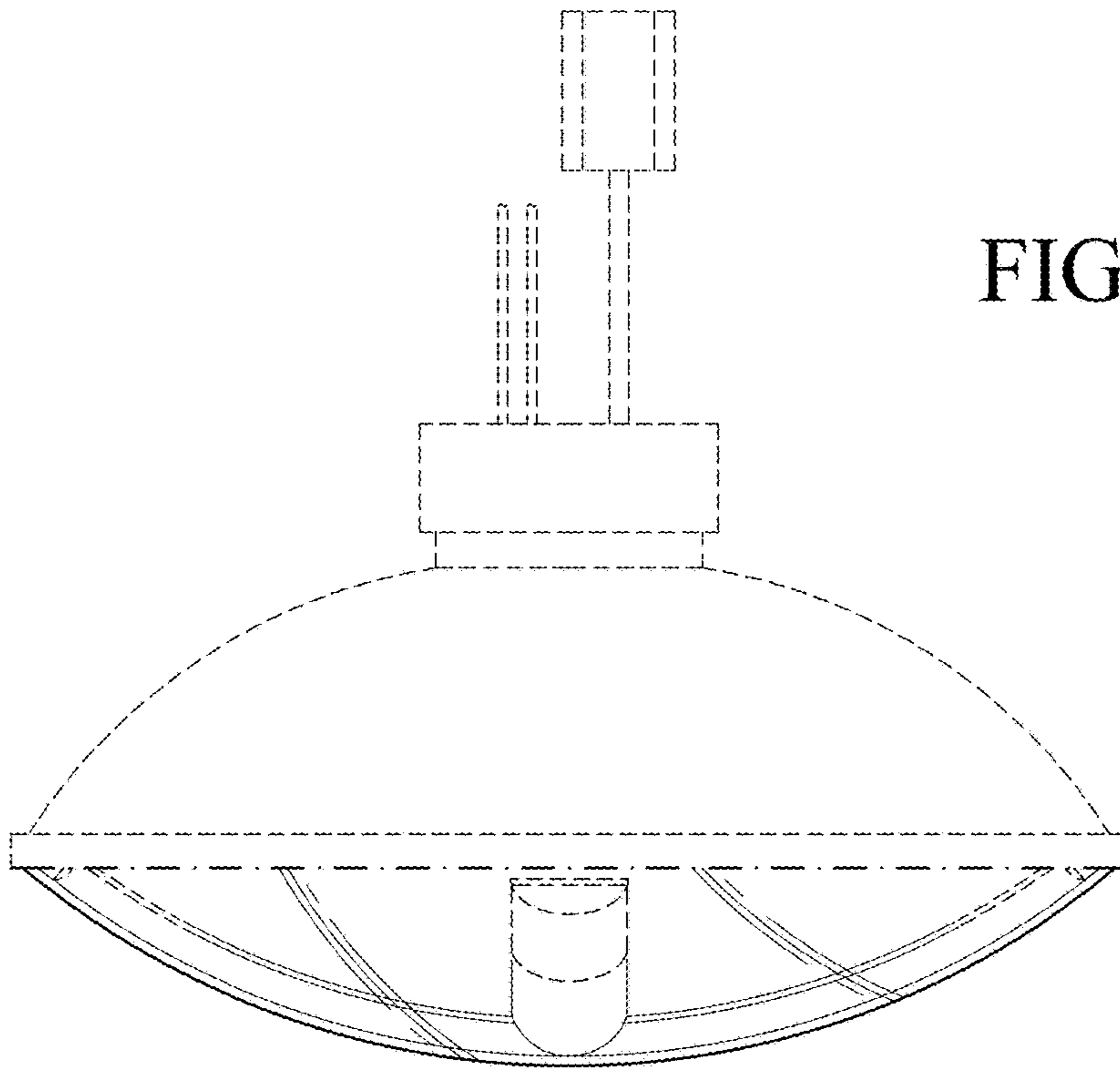


FIG. 4

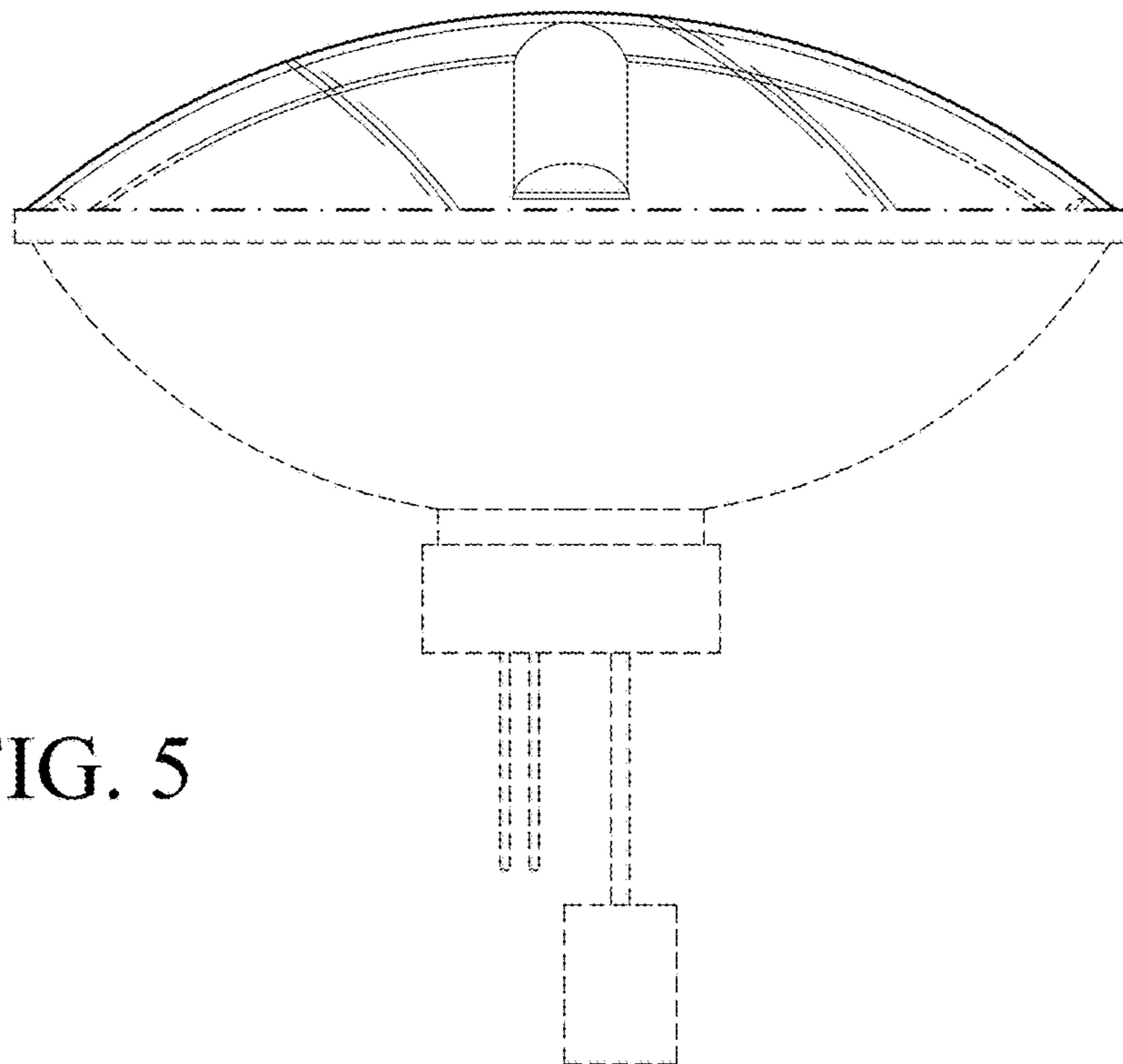


FIG. 5

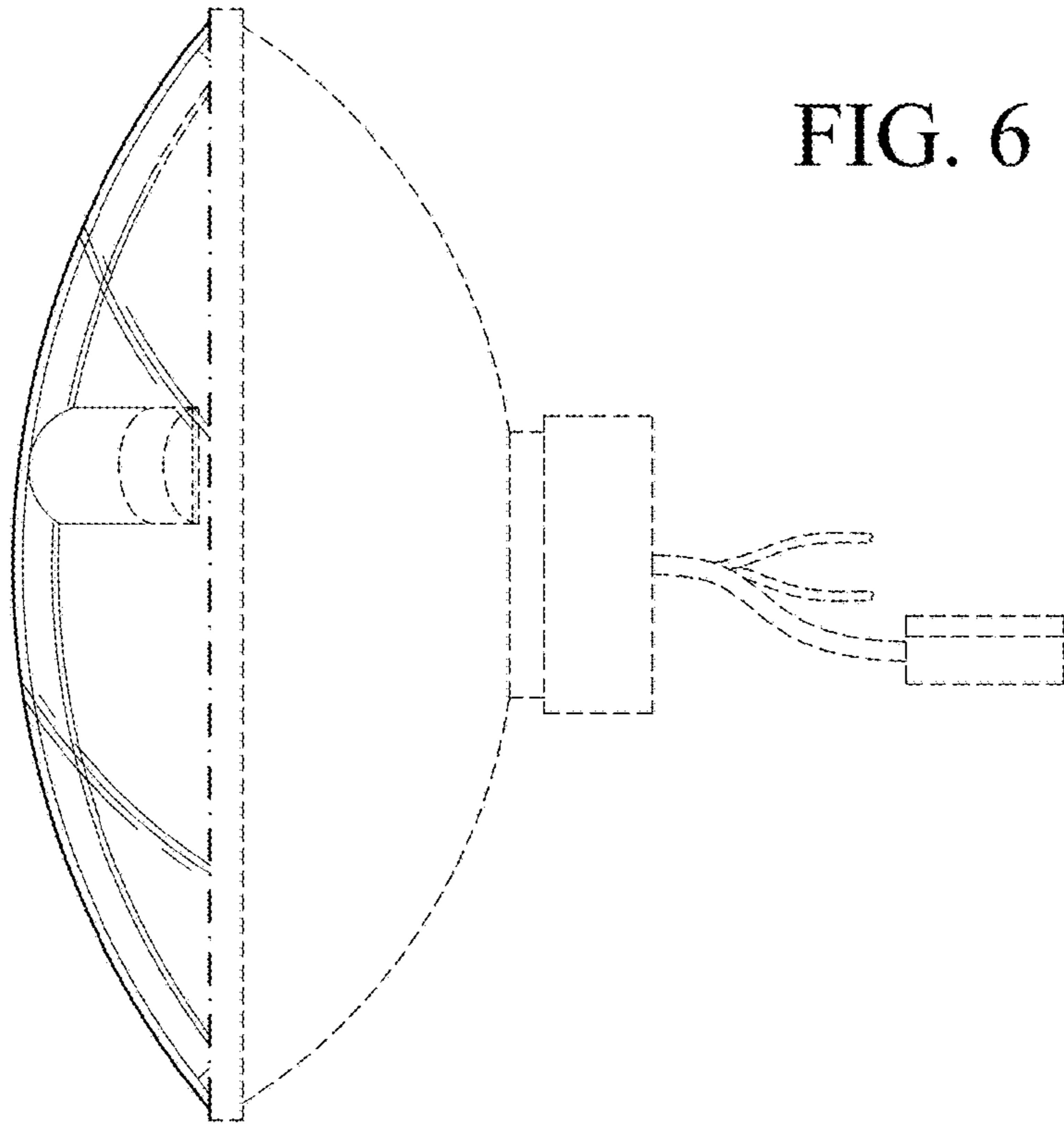


FIG. 6

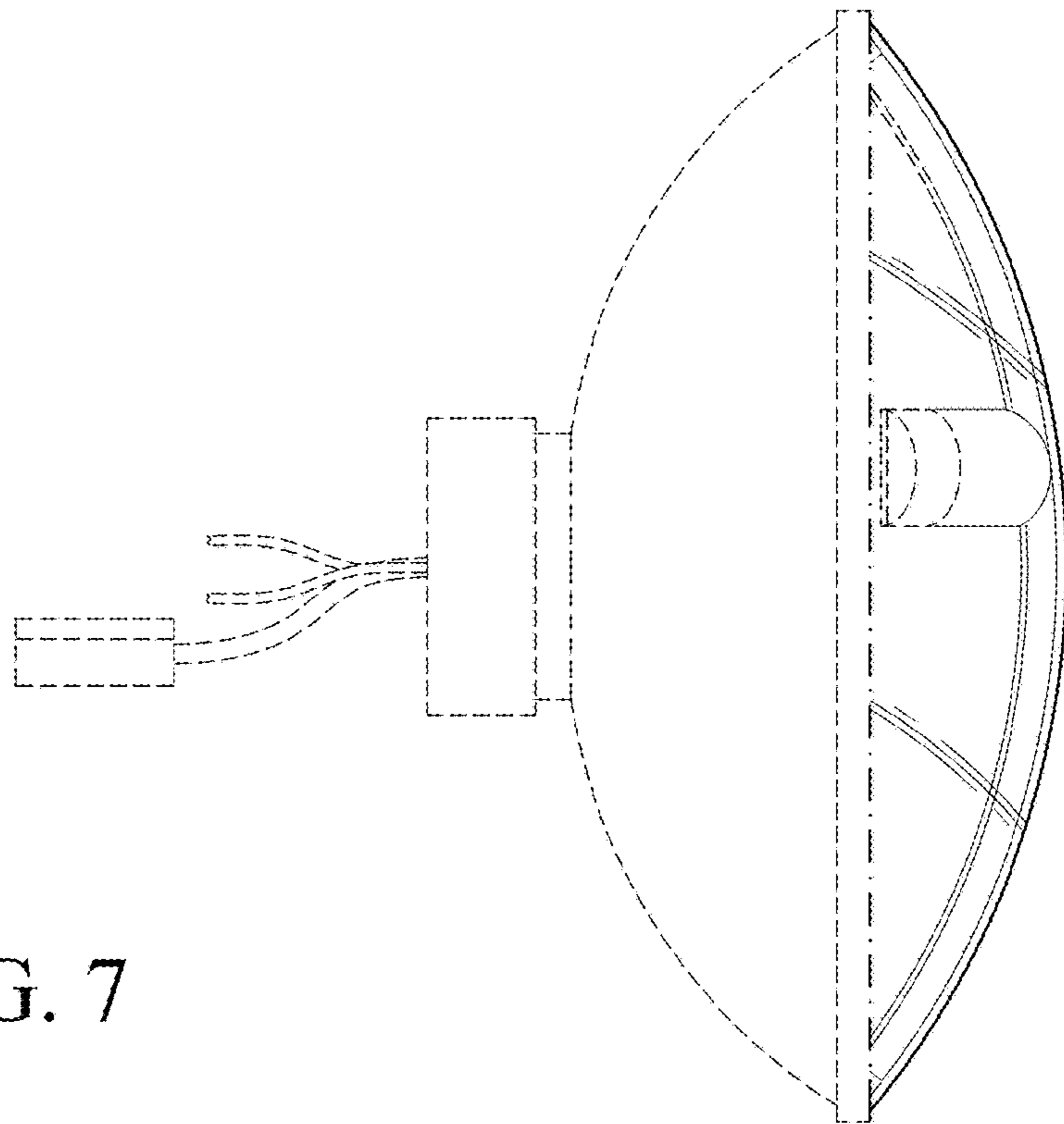


FIG. 7