



US00D835816S

(12) **United States Design Patent**
Odigie

(10) **Patent No.:** **US D835,816 S**
(45) **Date of Patent:** **** Dec. 11, 2018**

(54) **CANDLESTICK**

(71) Applicant: **Tony Odigie**, Antioch, TN (US)

(72) Inventor: **Tony Odigie**, Antioch, TN (US)

(**) Term: **15 Years**

(21) Appl. No.: **29/548,163**

(22) Filed: **Dec. 10, 2015**

(51) **LOC (11) Cl.** **26-01**

(52) **U.S. Cl.**
USPC **D26/16**

(58) **Field of Classification Search**
USPC D26/6-23, 93-115; D6/303, 313, 314,
D6/519, 537, 556, 567, 692.3; D11/131,
D11/131.1, 141, 143, 144, 164
(Continued)

(56) **References Cited**

U.S. PATENT DOCUMENTS

D132,571 S * 5/1942 Scheinpflug D26/16
D154,421 S * 7/1949 Niederhausen D26/16
(Continued)

Primary Examiner — Ian Simmons

Assistant Examiner — Keith Frank

(74) *Attorney, Agent, or Firm* — Patterson Intellectual
Property Law, P.C.

(57) **CLAIM**

What is claimed is the ornamental design for a candlestick,
as shown and described.

DESCRIPTION

FIG. 1 is a top perspective view of an embodiment of a
candlestick that includes the word “FAN”.
FIG. 2 is a left side view of the candlestick of FIG. 1.
FIG. 3 is a front elevation view of the candlestick of FIG. 1.
FIG. 4 is a right side view of the candlestick of FIG. 1.
FIG. 5 is a rear elevation view of the candlestick of FIG. 1.

FIG. 6 is a top plan view of the candlestick of FIG. 1.
FIG. 7 is a bottom plan view of the candlestick of FIG. 1.
FIG. 8 is a top perspective view of an embodiment of the
candlestick that includes the word “MOM.”
FIG. 9 is a left side view of the candlestick of FIG. 8.
FIG. 10 is a front elevation view of the candlestick of FIG.
8.
FIG. 11 is a right side view of the candlestick of FIG. 8.
FIG. 12 is a rear elevation view of the candlestick of FIG.
8.
FIG. 13 is a top plan view of the candlestick of FIG. 8.
FIG. 14 is a bottom plan view of the candlestick of FIG. 8.
FIG. 15 is a top perspective view of an embodiment of the
candlestick that includes the word “DAD.”
FIG. 16 is a left side view of the candlestick of FIG. 15.
FIG. 17 is a front elevation view of the candlestick of FIG.
15.
FIG. 18 is a right side view of the candlestick of FIG. 15.
FIG. 19 is a rear elevation view of the candlestick of FIG.
15.
FIG. 20 is a top plan view of the candlestick of FIG. 15.
FIG. 21 is a bottom plan view of the candlestick of FIG. 15.
FIG. 22 is a top perspective view of an embodiment of the
candlestick that includes the word “PLAYER.”
FIG. 23 is a left side view of the candlestick of FIG. 22.
FIG. 24 is a front elevation view of the candlestick of FIG.
22.
FIG. 25 is a right side view of the candlestick of FIG. 22.
FIG. 26 is a rear elevation view of the candlestick of FIG.
22.
FIG. 27 is a top plan view of the candlestick of FIG. 22.
FIG. 28 is a bottom plan view of the candlestick of FIG. 22.
FIG. 29 is a top perspective view of an embodiment of the
candlestick that includes the word “FRIEND.”
FIG. 30 is a left side view of the candlestick of FIG. 29.
FIG. 31 is a front elevation view of the candlestick of FIG.
29.
FIG. 32 is a right side view of the candlestick of FIG. 29.
FIG. 33 is a rear elevation view of the candlestick of FIG.
29.
FIG. 34 is a top plan view of the candlestick of FIG. 29.
FIG. 35 is a bottom plan view of the candlestick of FIG. 29.

(Continued)

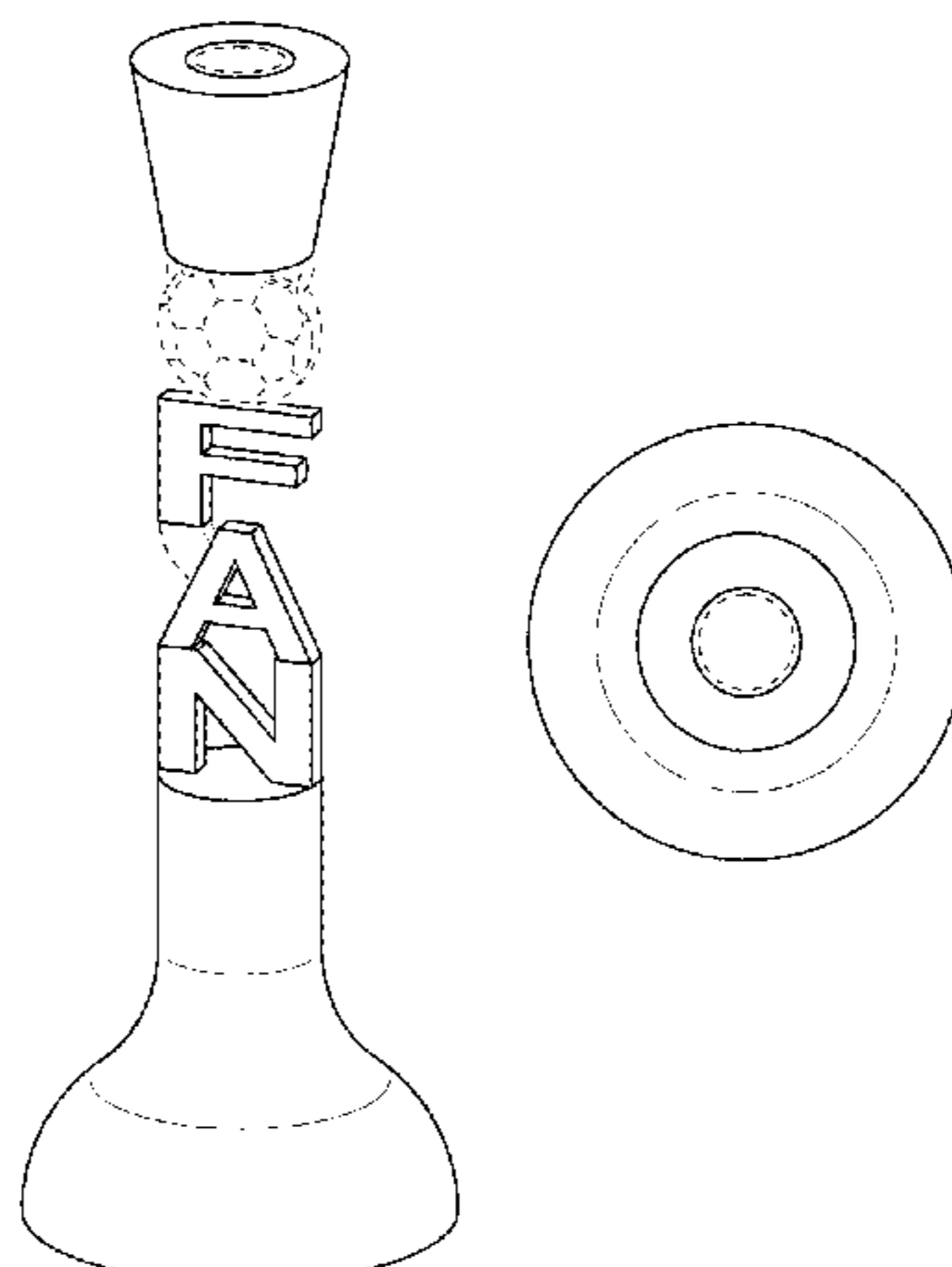


FIG. 36 is a top perspective view of an embodiment of the candlestick that includes the word "LOVER."
 FIG. 37 is a left side view of the candlestick of FIG. 36.
 FIG. 38 is a front elevation view of the candlestick of FIG. 36.
 FIG. 39 is a right side view of the candlestick of FIG. 36.
 FIG. 40 is a rear elevation view of the candlestick of FIG. 36.
 FIG. 41 is a top plan view of the candlestick of FIG. 36.
 FIG. 42 is a bottom plan view of the candlestick of FIG. 36.
 FIG. 43 is a top perspective view of an embodiment of the candlestick that includes the word "FAMILY."
 FIG. 44 is a left side view of the candlestick of FIG. 43.
 FIG. 45 is a front elevation view of the candlestick of FIG. 43.
 FIG. 46 is a right side view of the candlestick of 43.
 FIG. 47 is a rear elevation view of the candlestick of FIG. 43.
 FIG. 48 is a top plan view of the candlestick of FIG. 43.
 FIG. 49 is a bottom plan view of the candlestick of FIG. 43.
 FIG. 50 is a top perspective view of an embodiment of the candlestick that includes the word "COACH."
 FIG. 51 is a left side view of the candlestick of FIG. 50.
 FIG. 52 is a front elevation view of the candlestick of FIG. 50.
 FIG. 53 is a right side view of the candlestick of FIG. 50.

FIG. 54 is a rear elevation view of the candlestick of 50.
 FIG. 55 is a top plan view of the candlestick of FIG. 50; and,
 FIG. 56 is a bottom plan view of the candlestick of FIG. 50.
 The broken lines in the drawings showing the candlestick illustrate the portions of the candlestick that form no part of the claimed design.

1 Claim, 16 Drawing Sheets

(58) **Field of Classification Search**
 CPC .. F21S 6/00; F21S 13/00; F21V 35/00; F21W 2121/00; A47G 33/02
 See application file for complete search history.

(56) **References Cited**

U.S. PATENT DOCUMENTS

D226,498	S	*	3/1973	Misenko	D26/94
D231,252	S	*	4/1974	Feldman et al.	D26/94
D246,010	S	*	10/1977	Tanikawa	D26/7
D249,588	S	*	9/1978	Tanikawa	D26/7
D289,694	S	*	5/1987	Pickett, Jr.	D11/104
D343,912	S	*	2/1994	Huang	D26/20
D389,946	S	*	1/1998	Hutton	D26/110
D472,334	S	*	3/2003	Scrogham	C11C 5/008 D18/30
D587,163	S	*	2/2009	Baker	D11/131
D643,950	S	*	8/2011	McCullough	D26/9
D774,218	S	*	12/2016	Imperial	D26/9

* cited by examiner

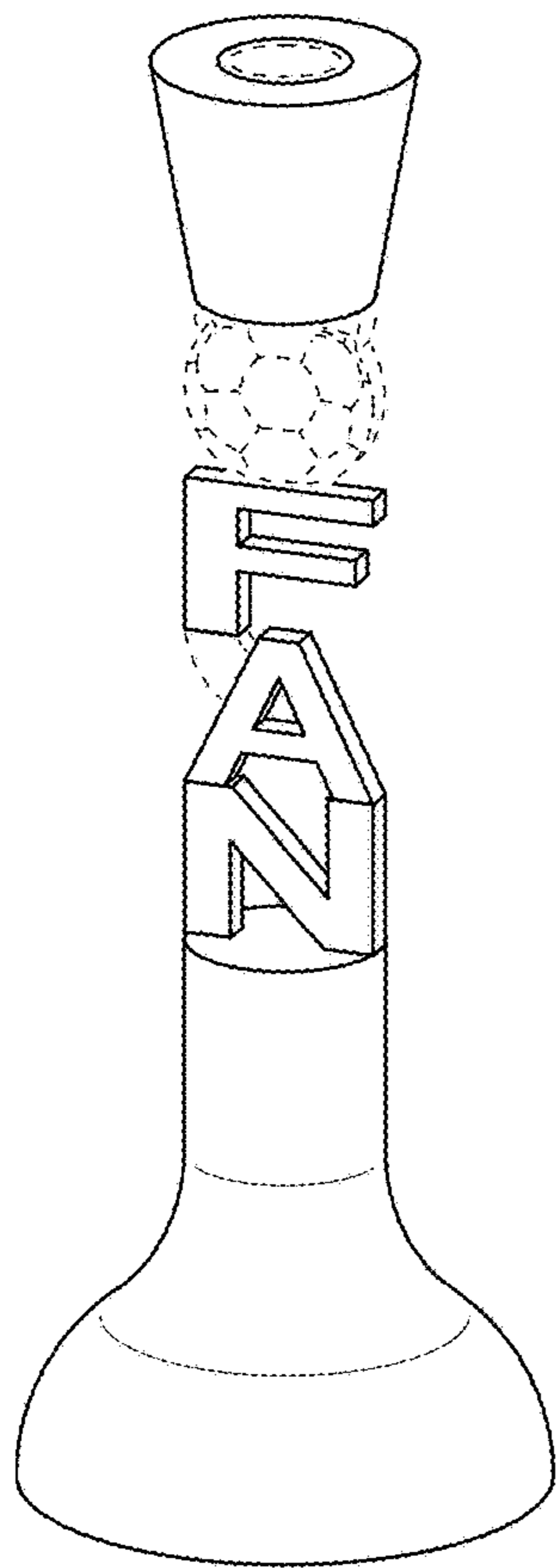


FIG. 1

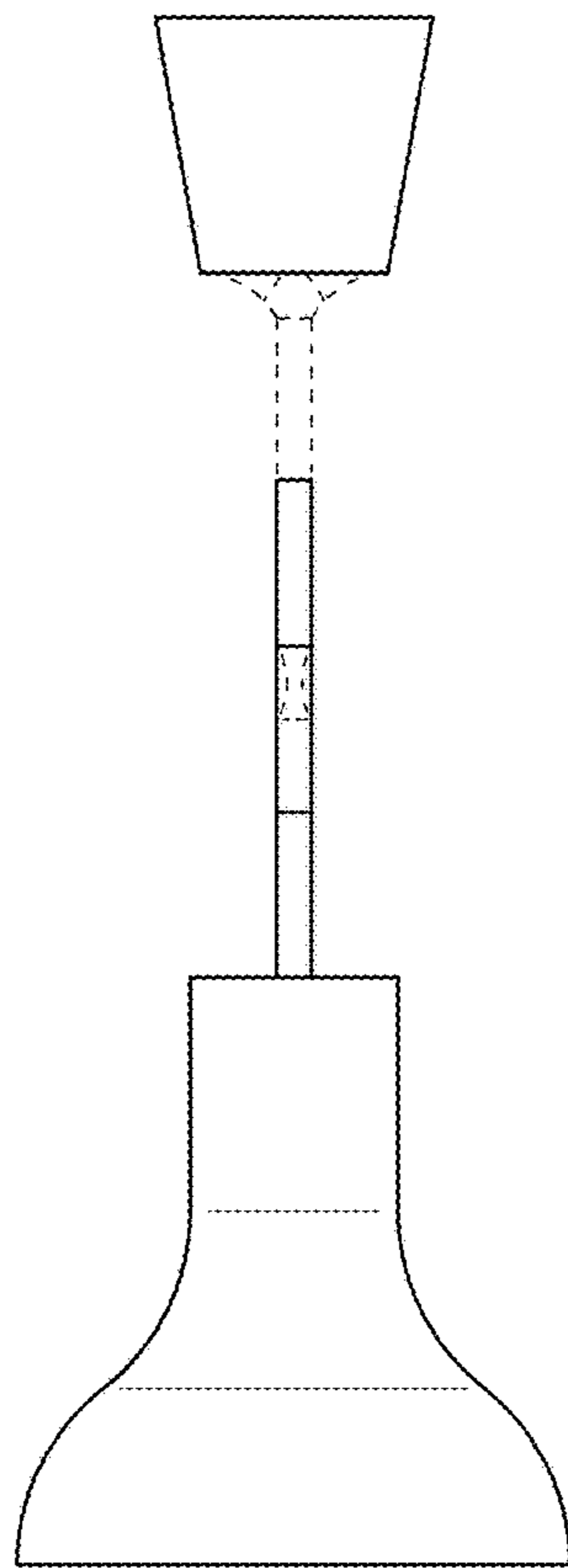


FIG. 2

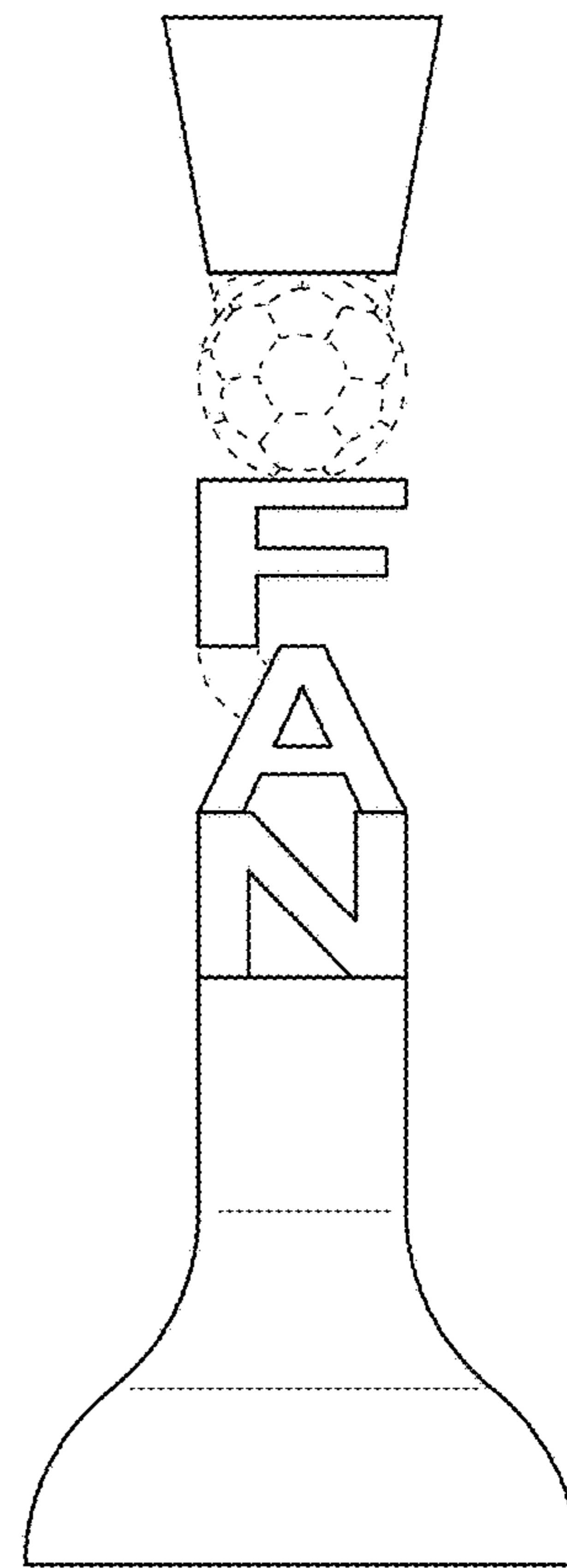


FIG. 3

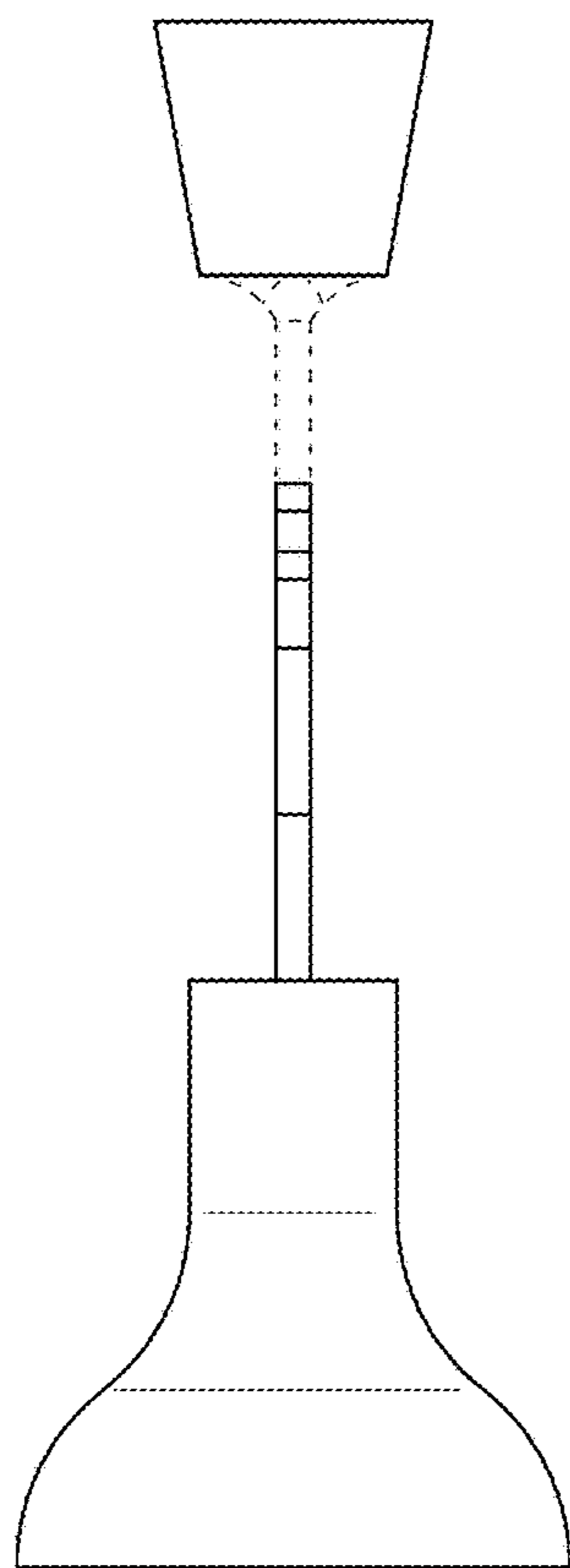


FIG. 4

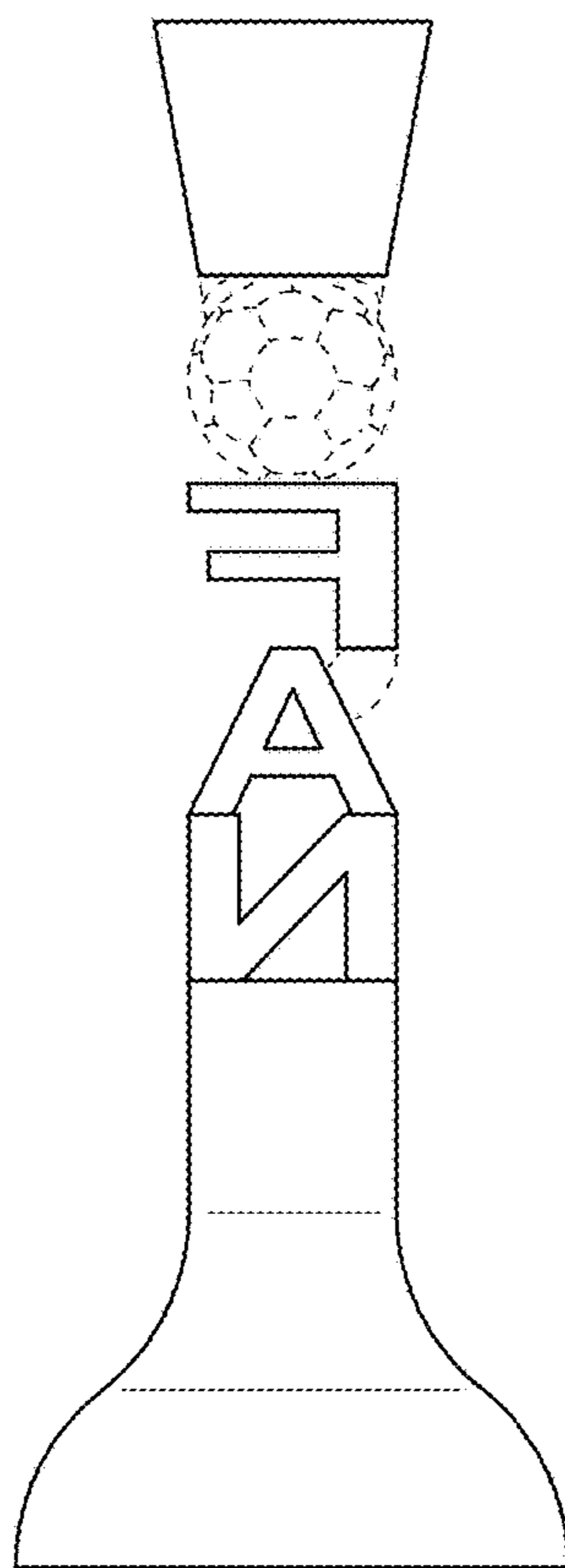


FIG. 5

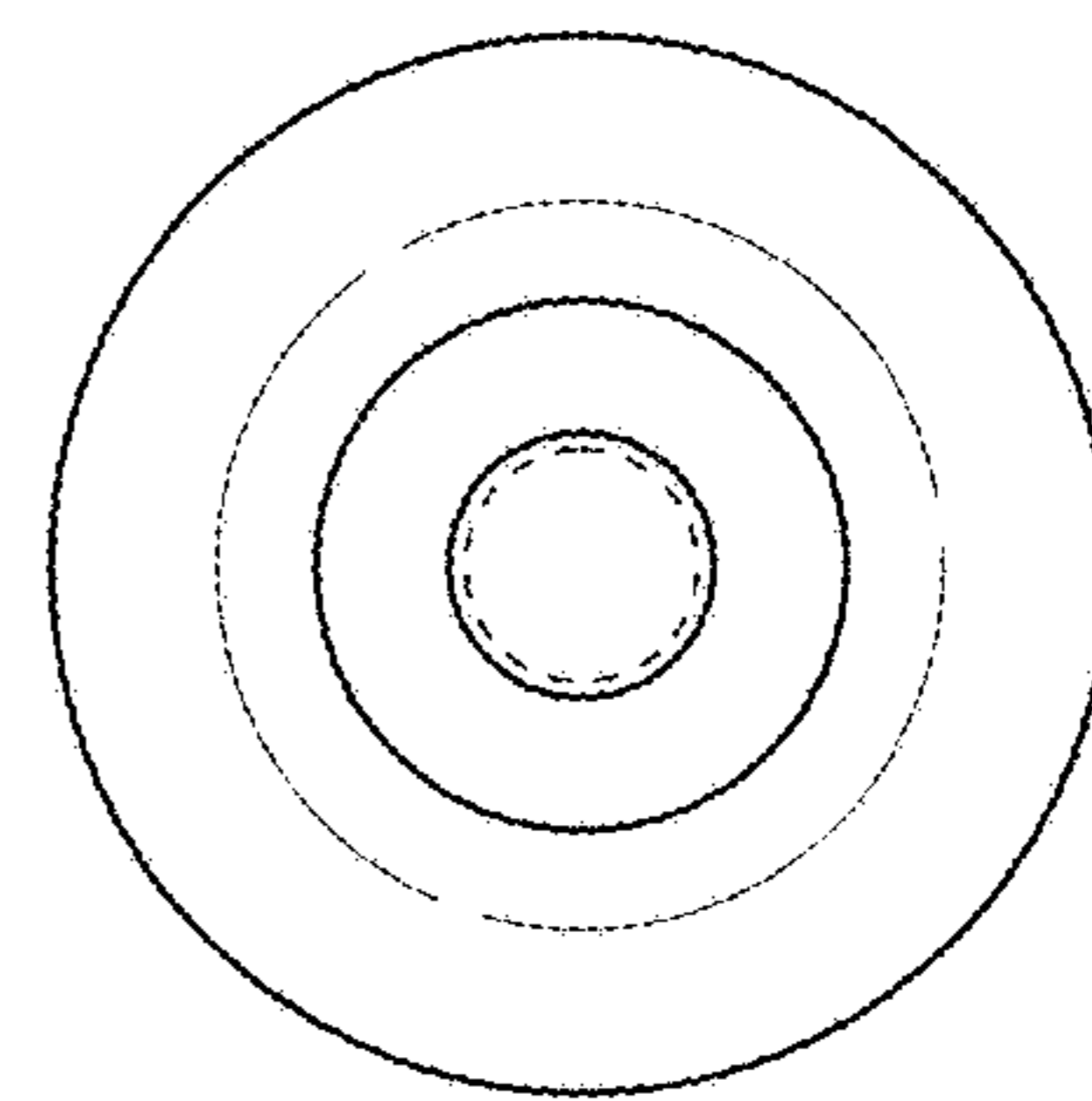


FIG. 6

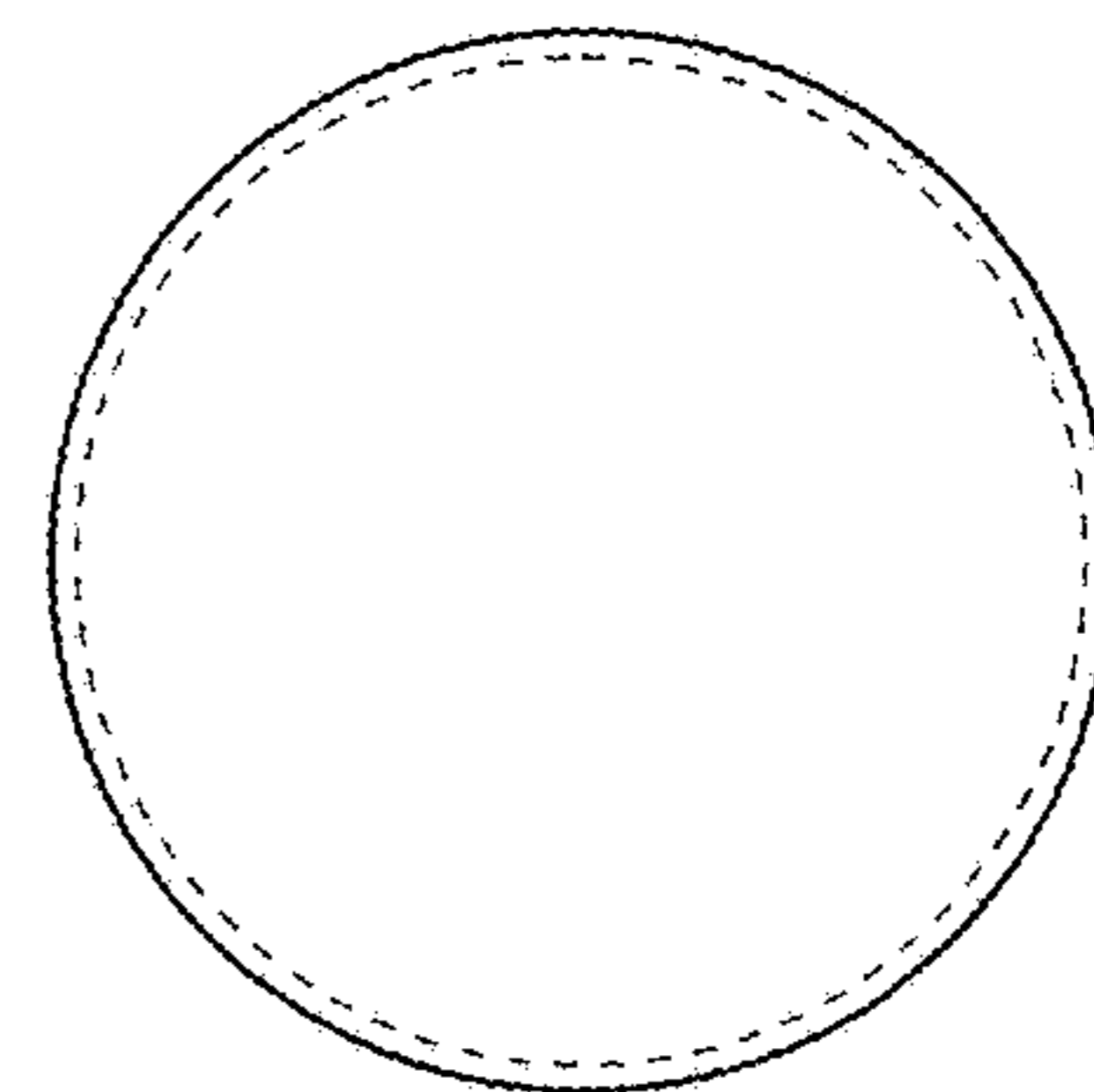


FIG. 7

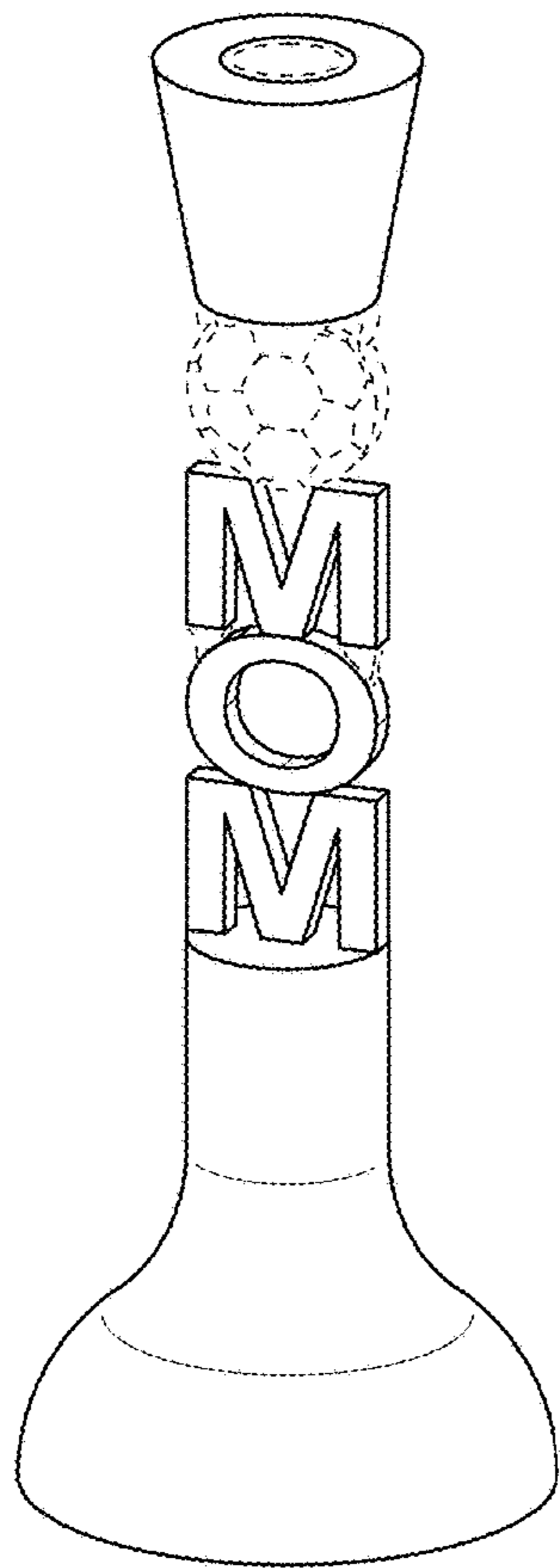


FIG. 8

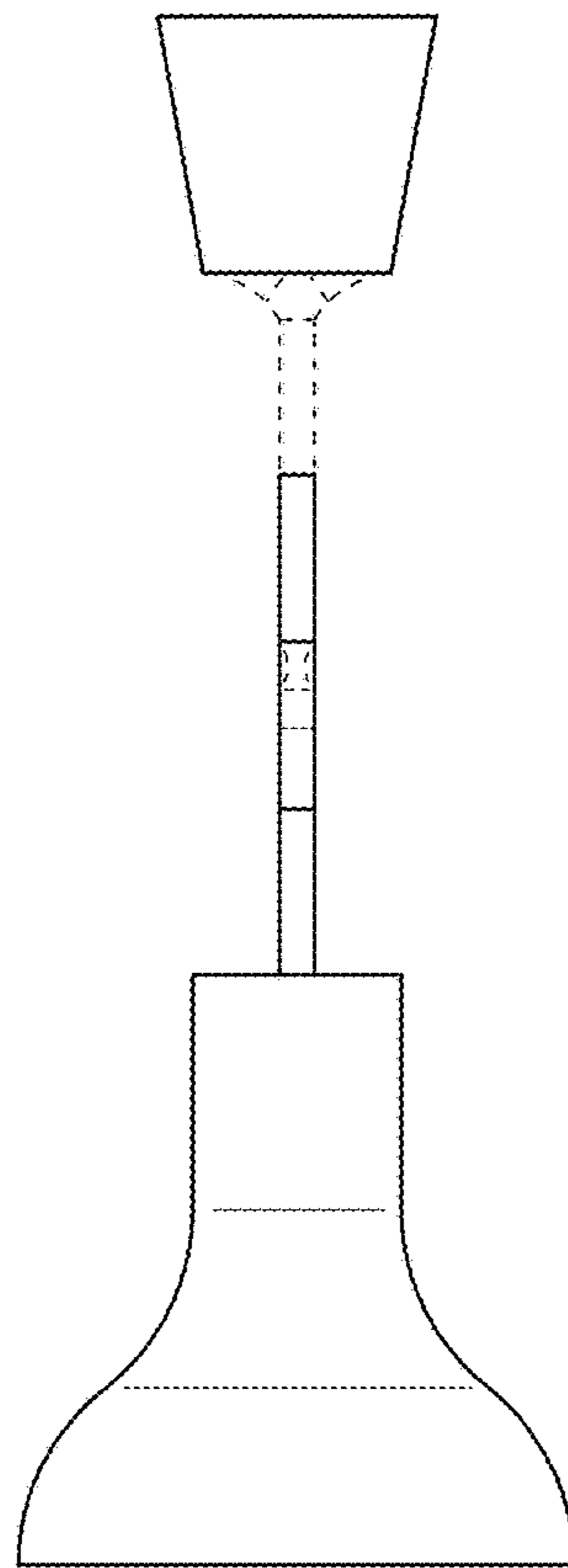


FIG. 9

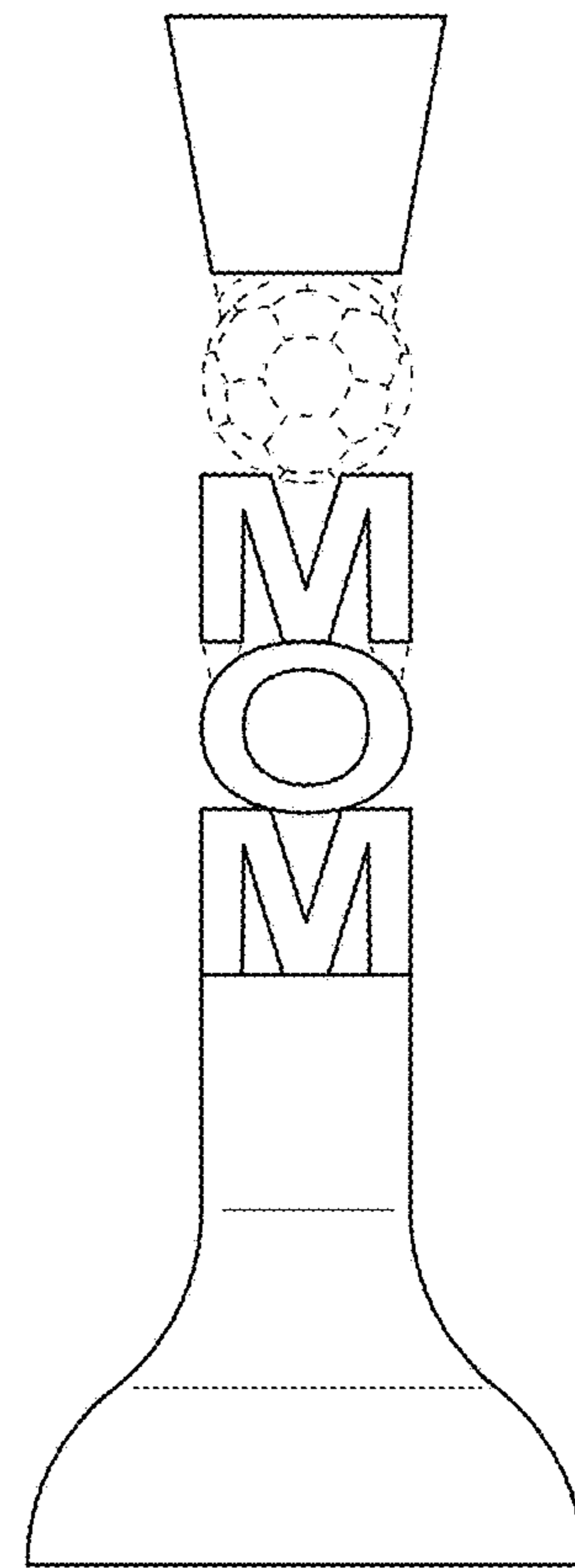


FIG. 10

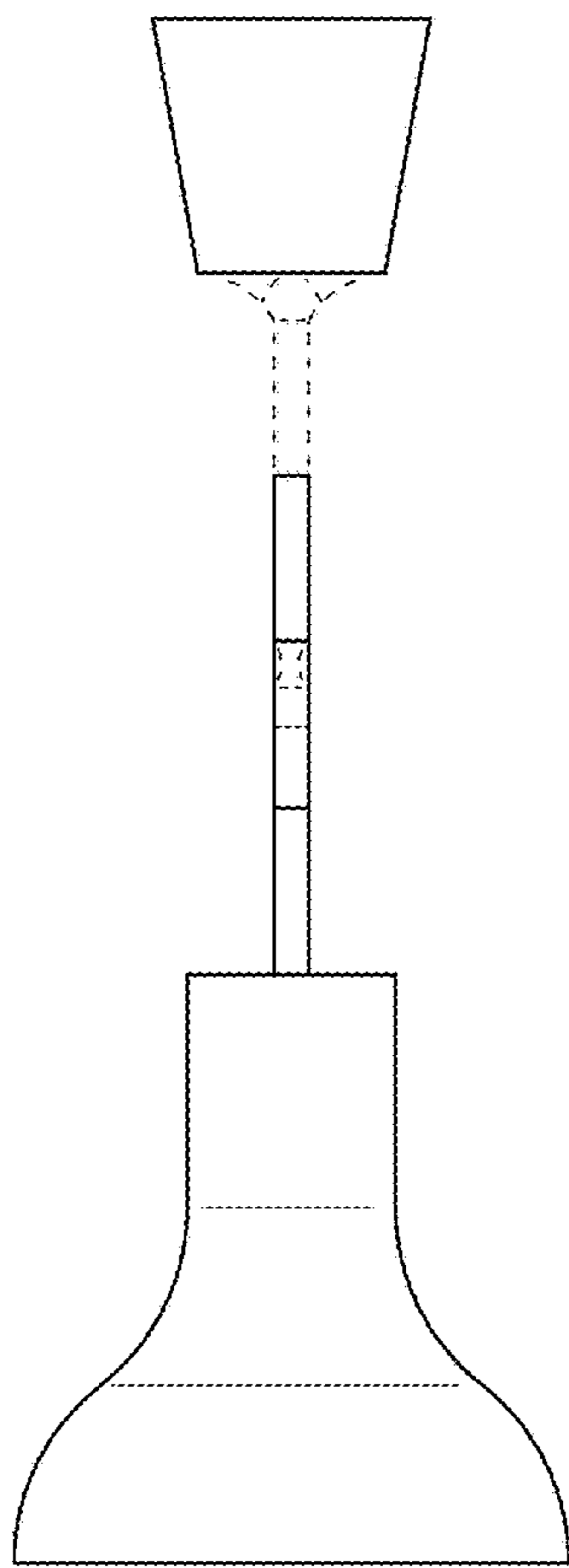


FIG. 11

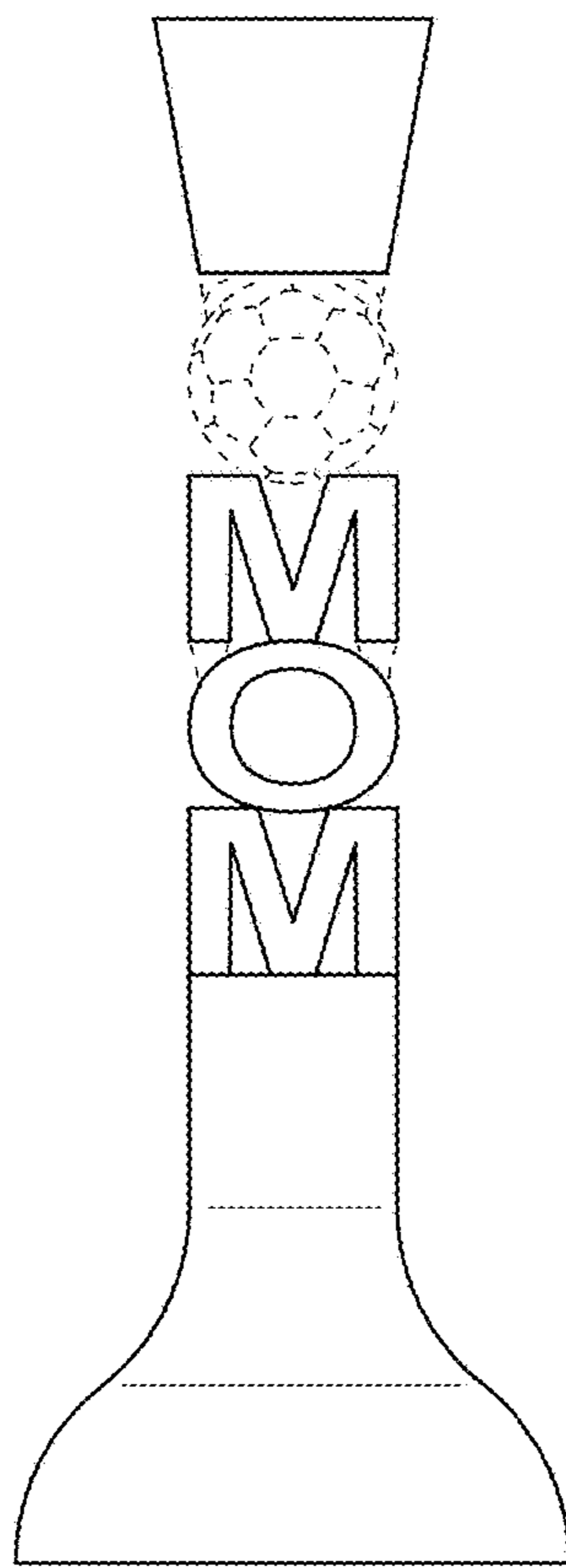


FIG. 12

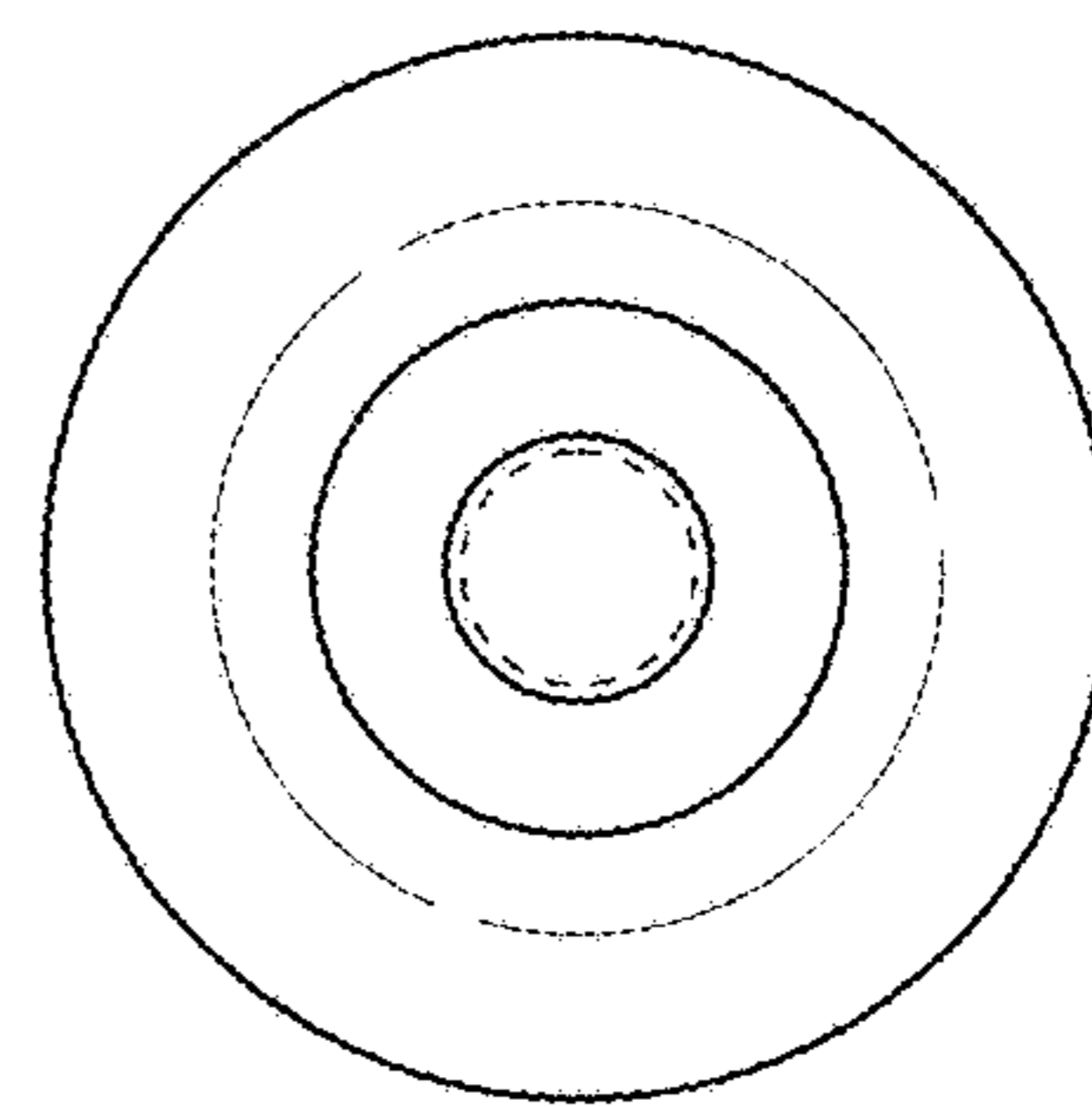


FIG. 13

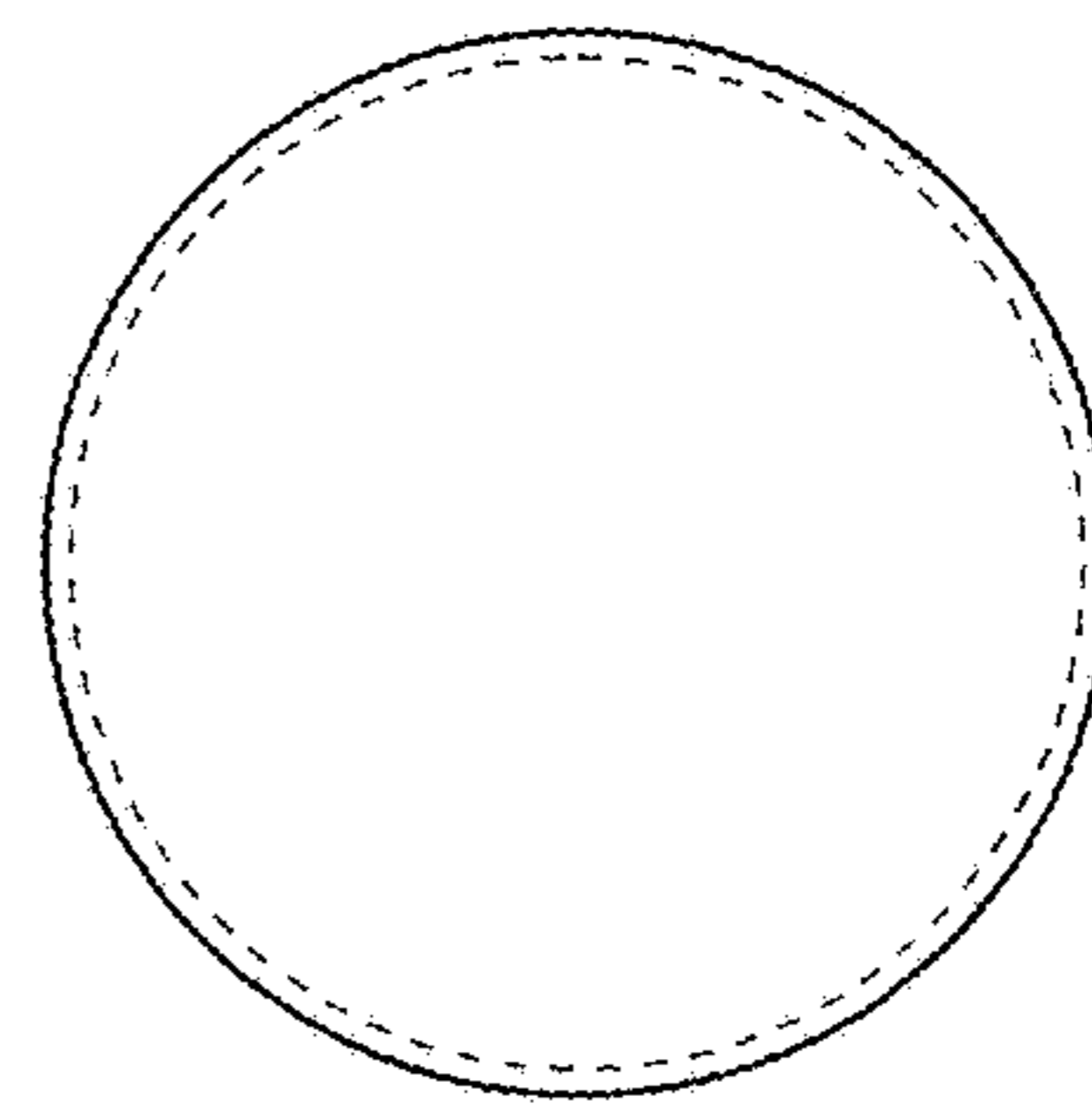


FIG. 14

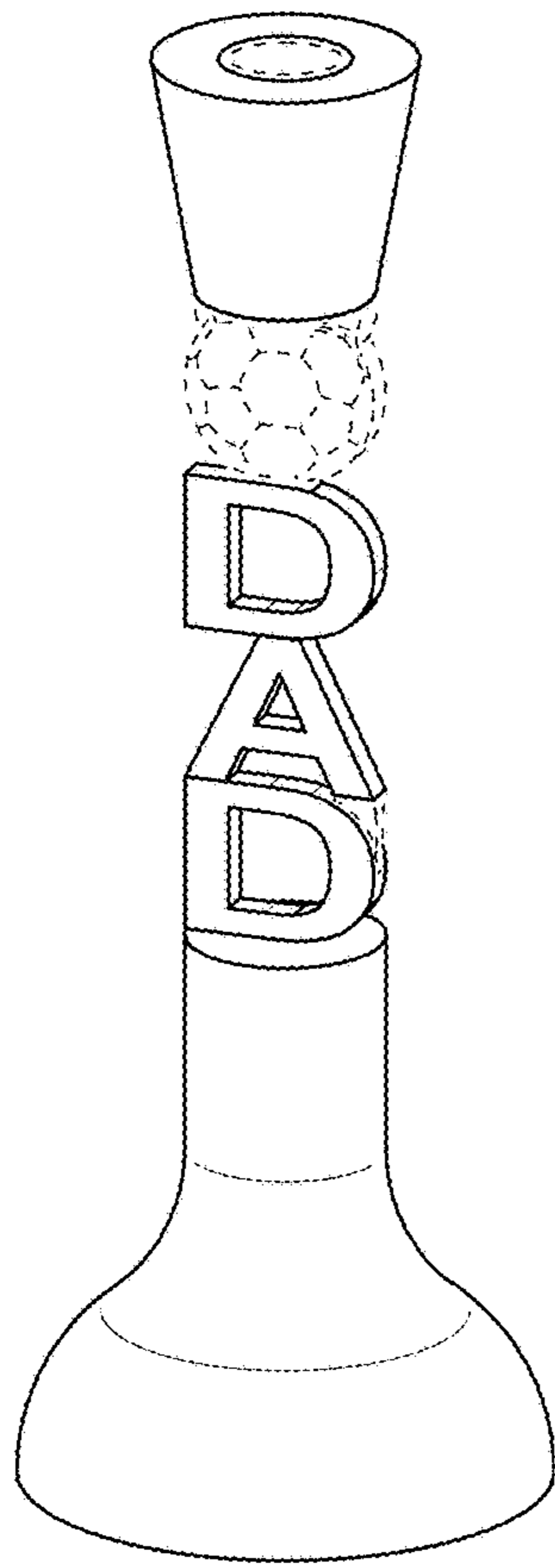


FIG. 15

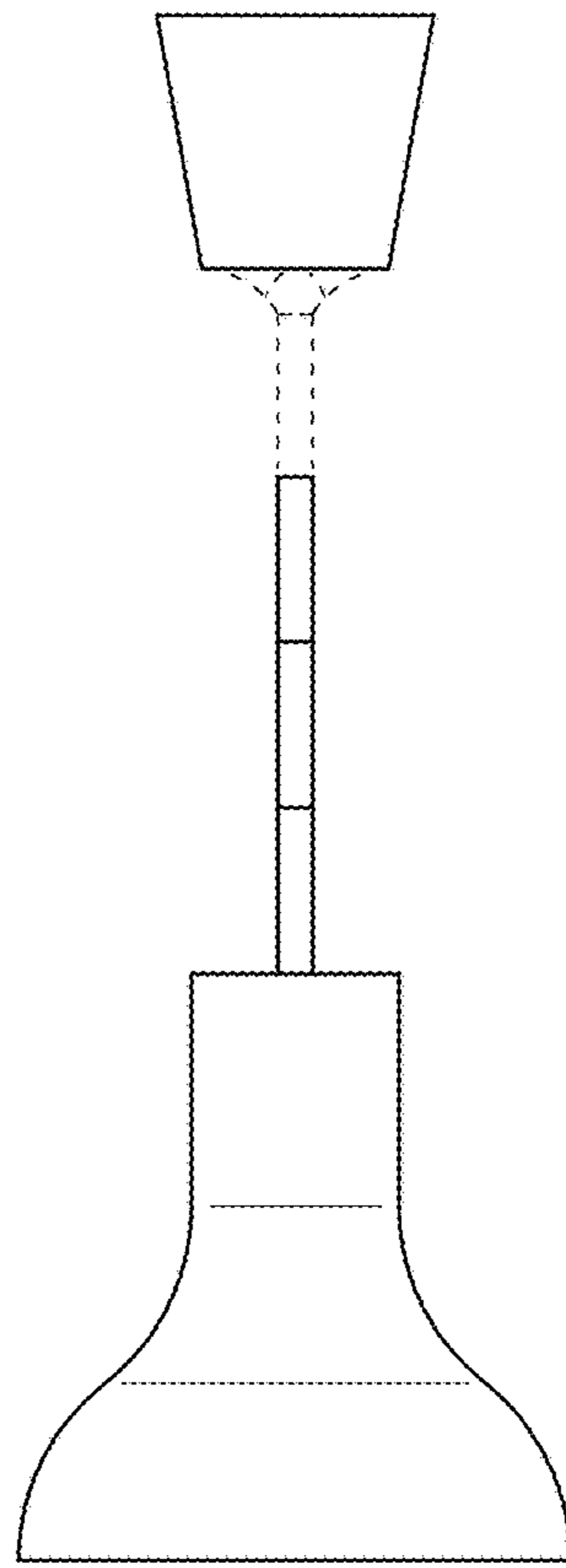


FIG. 16

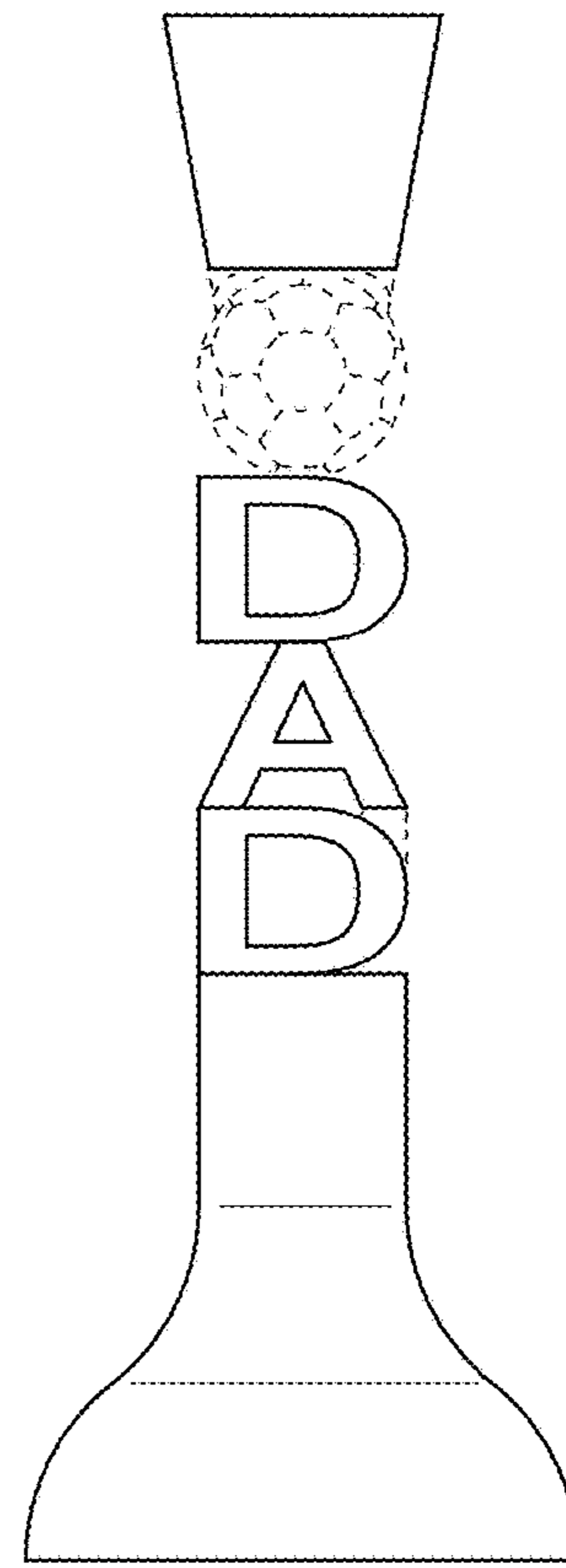


FIG. 17

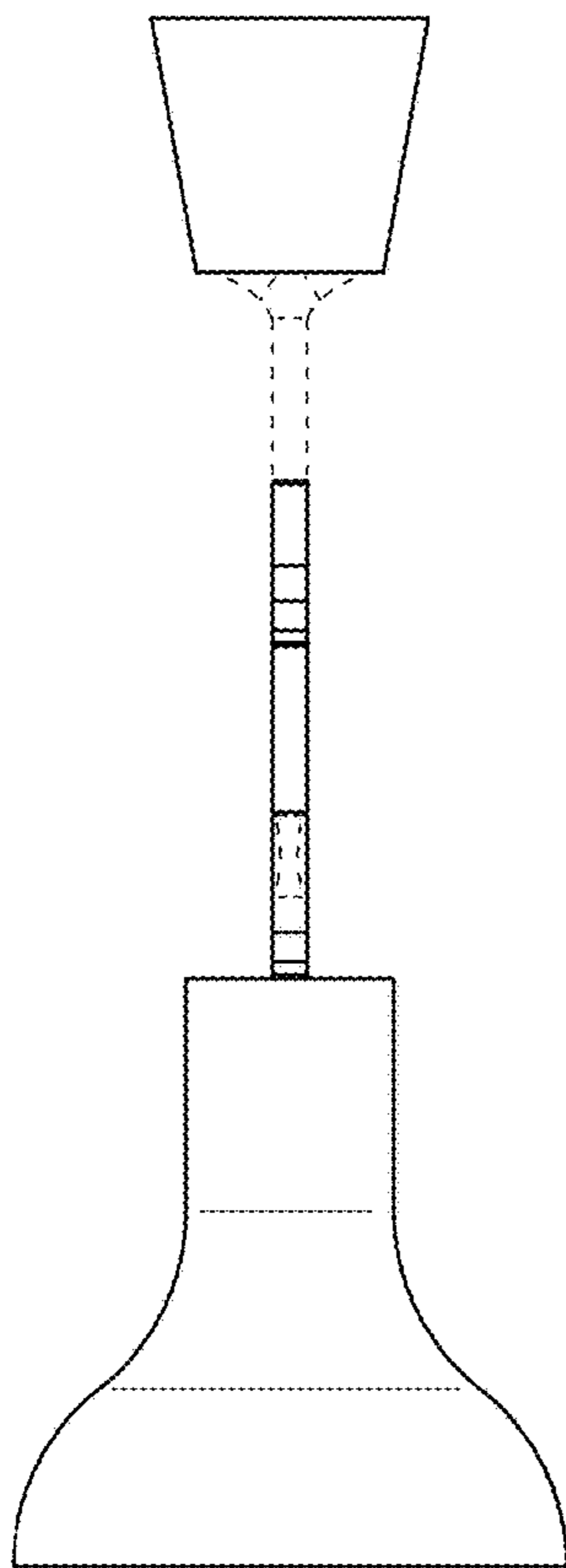


FIG. 18

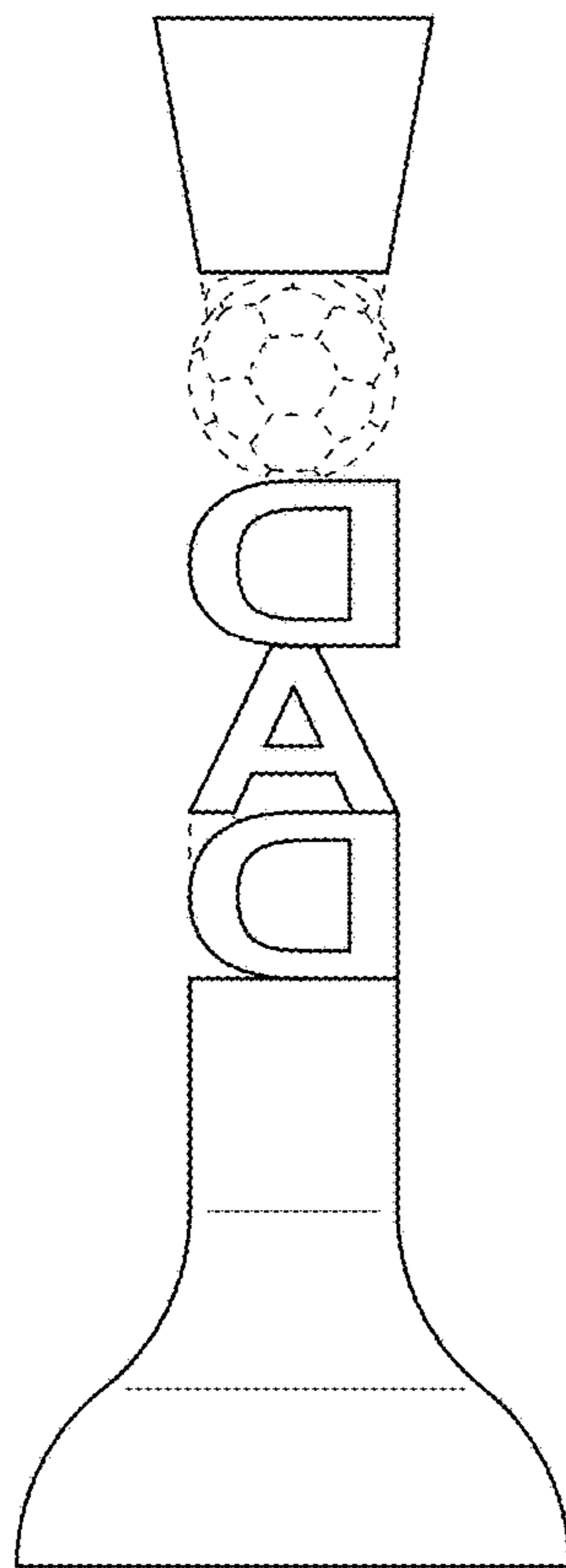


FIG. 19

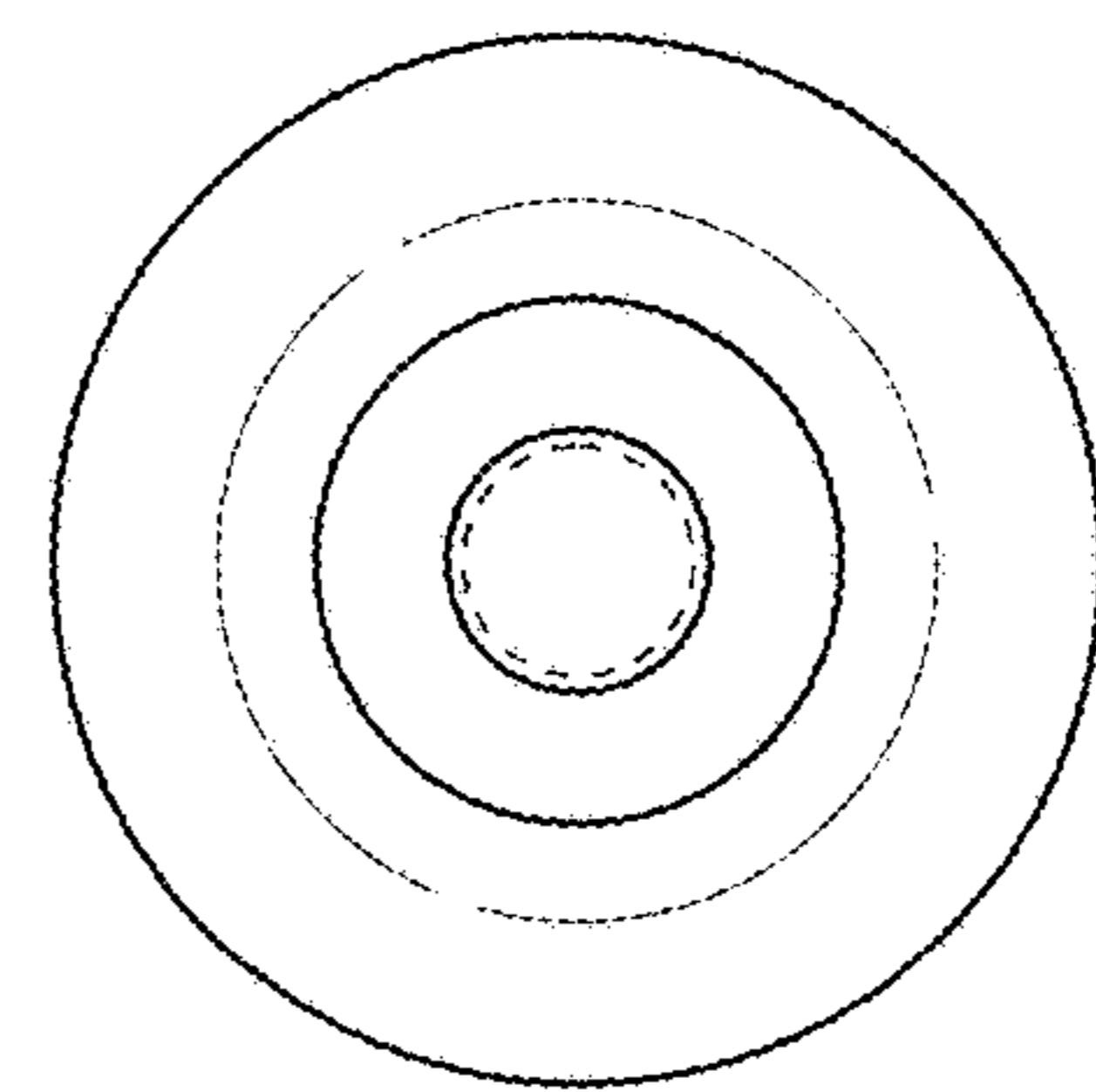


FIG. 20

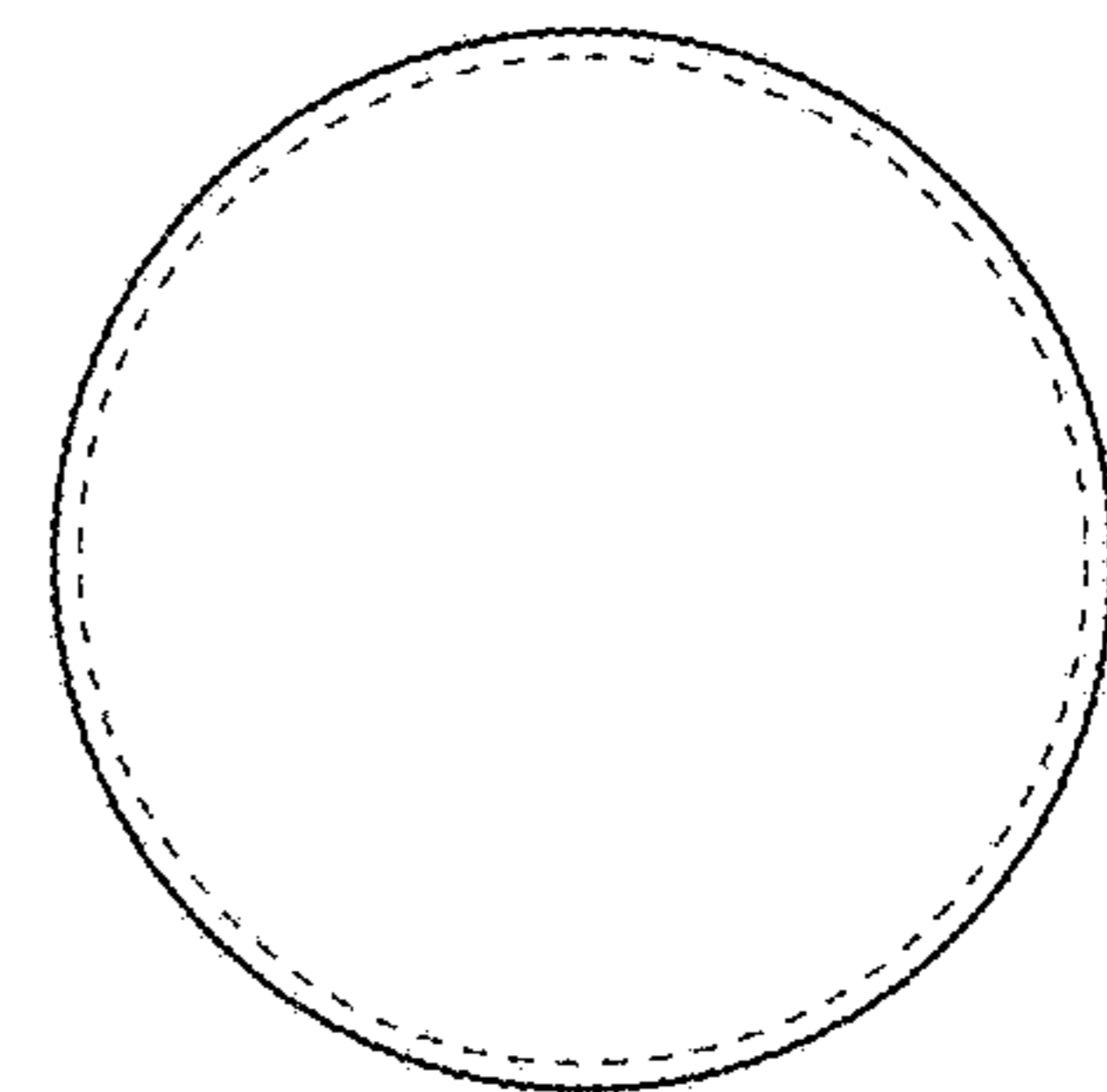


FIG. 21

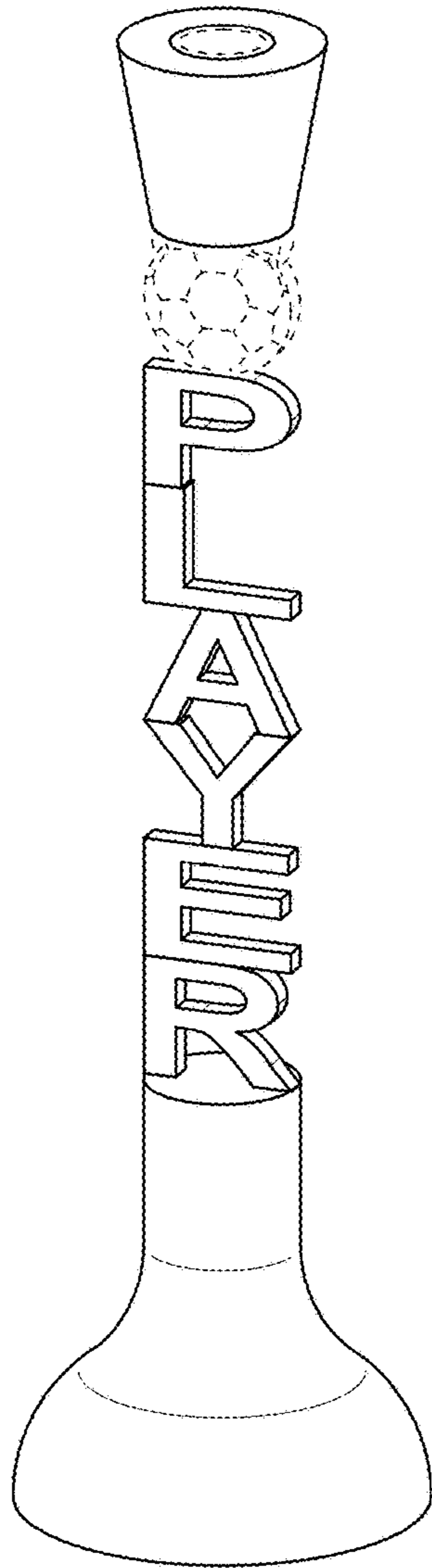


FIG. 22

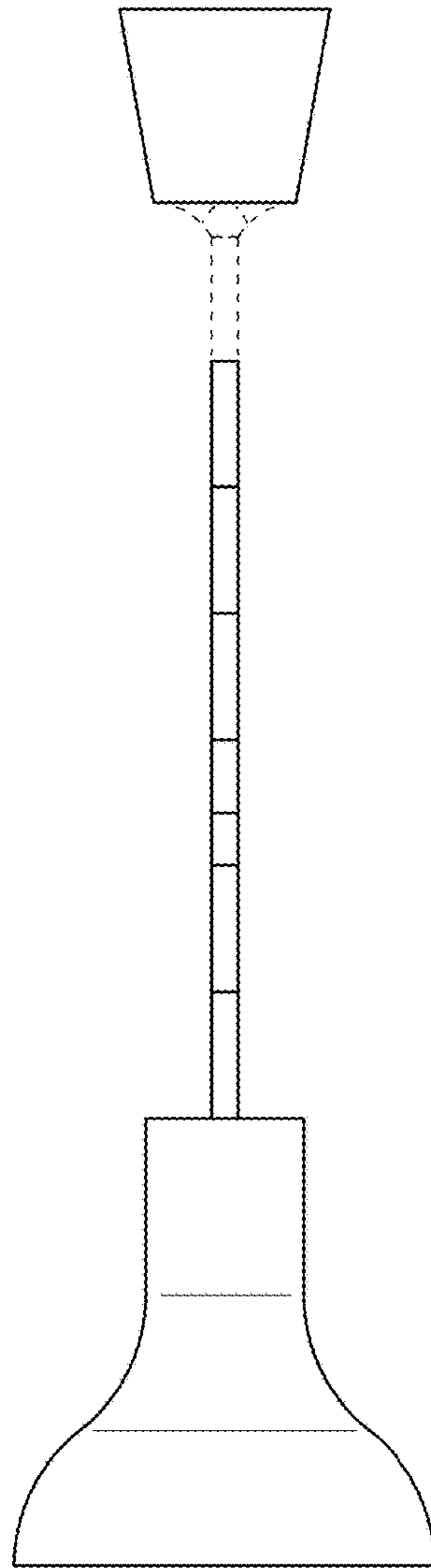


FIG. 23

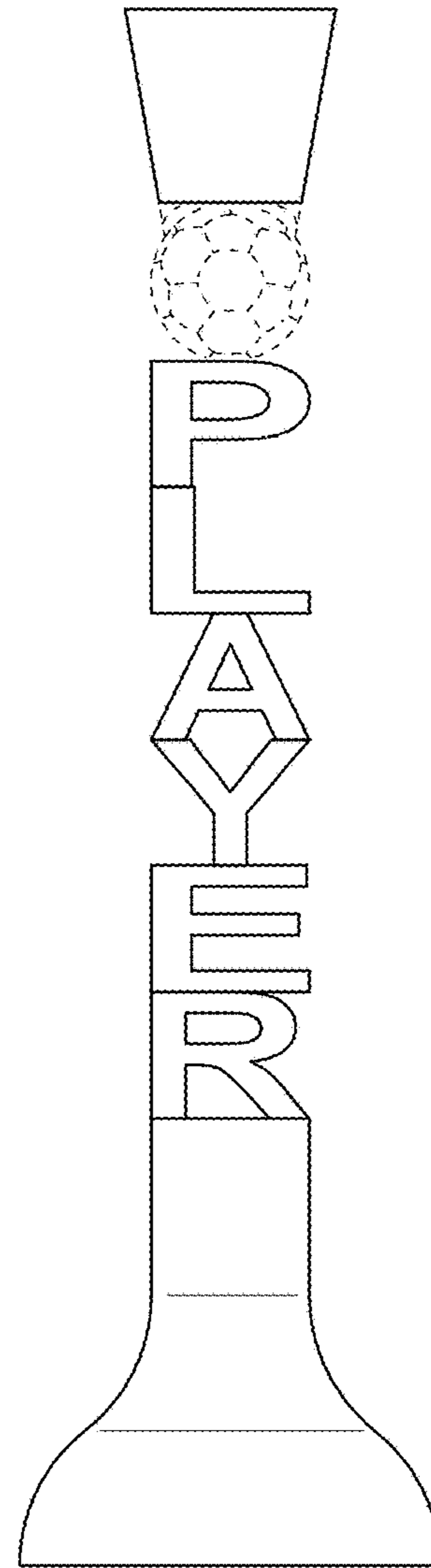


FIG. 24

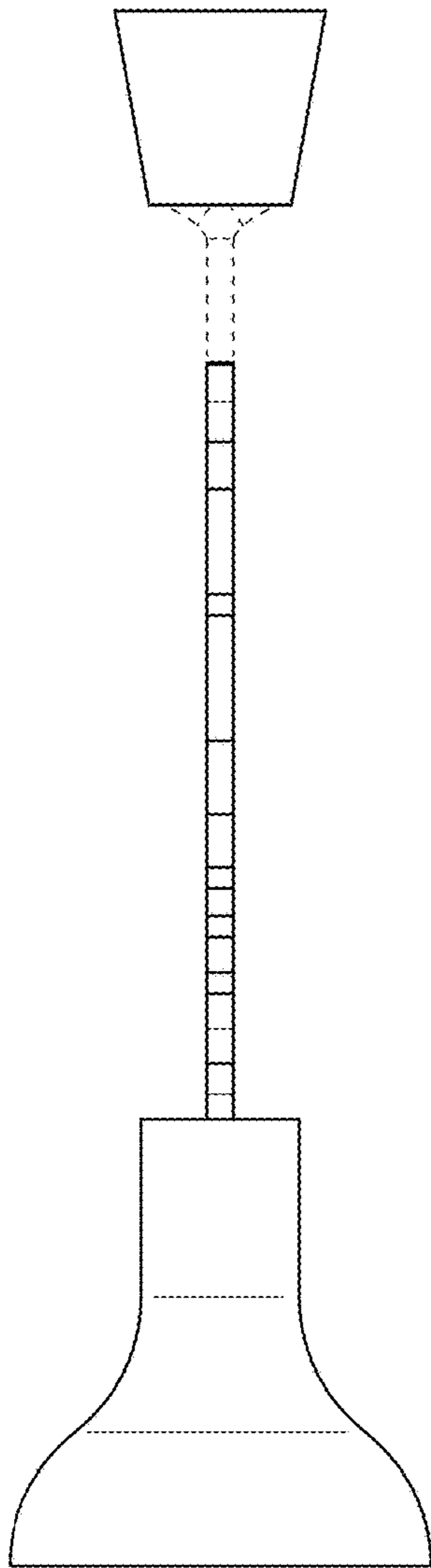


FIG. 25

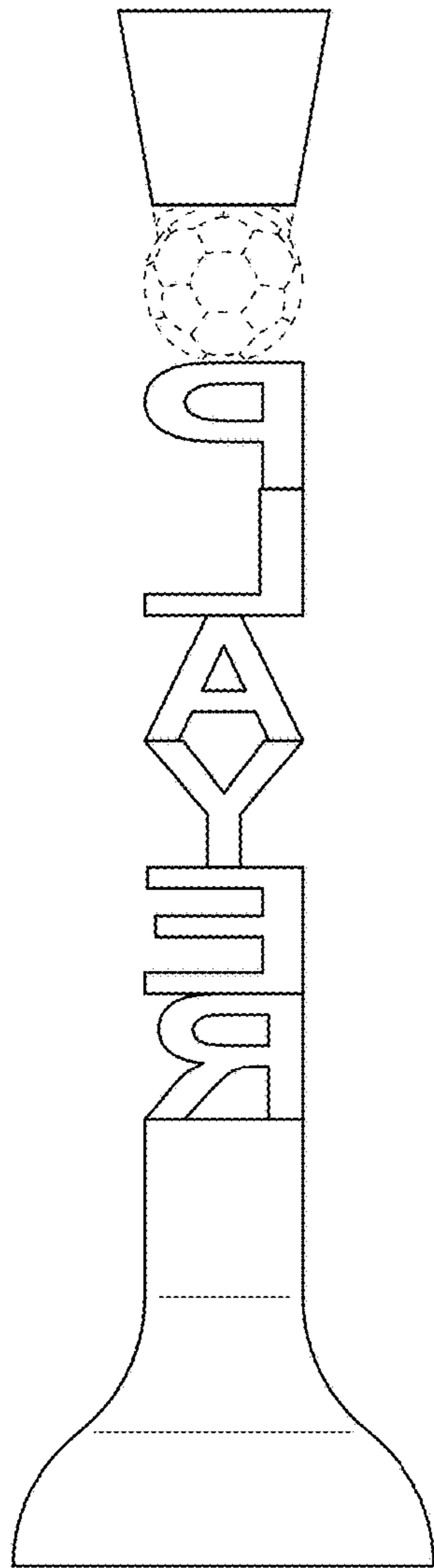


FIG. 26

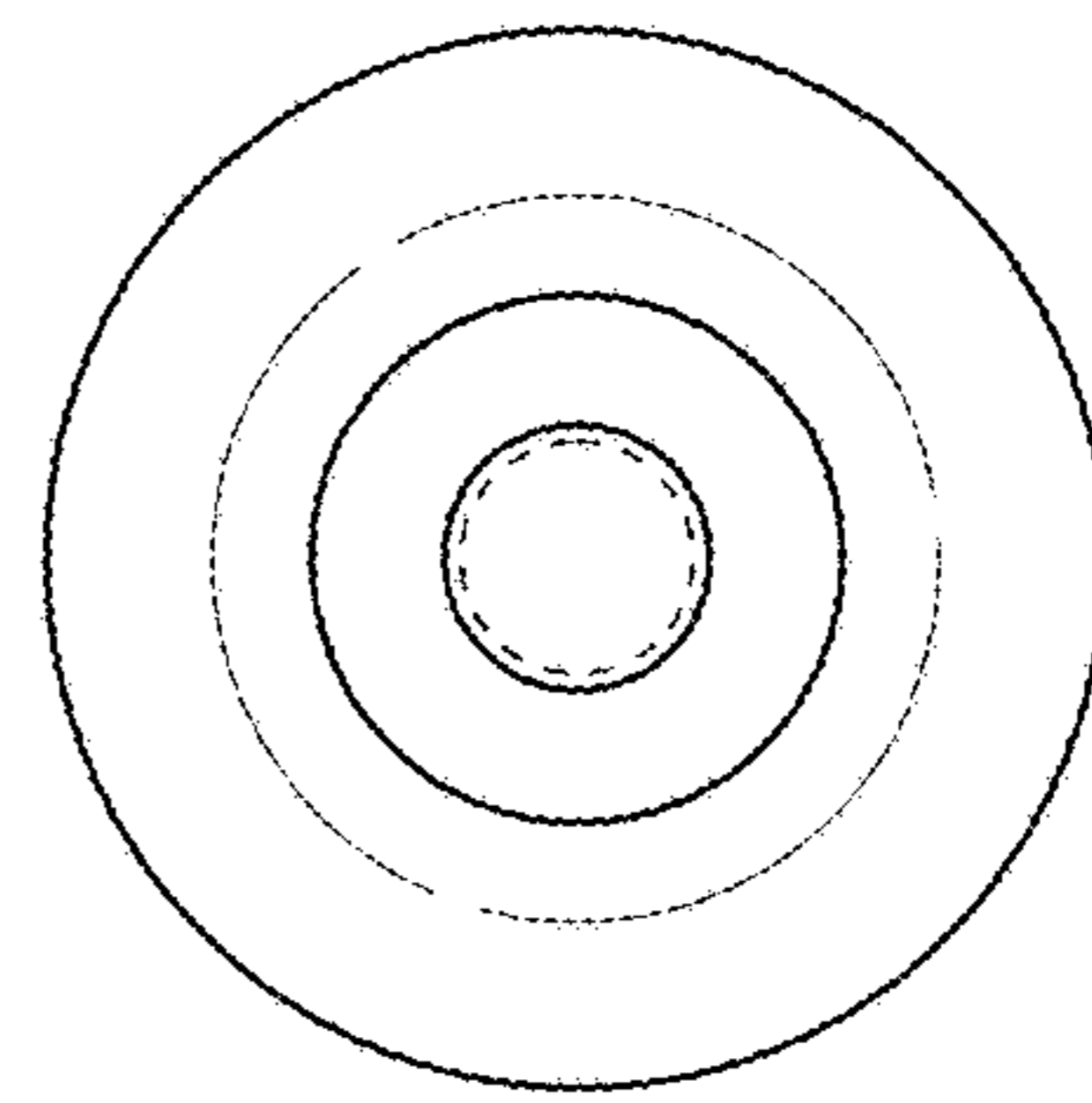


FIG. 27

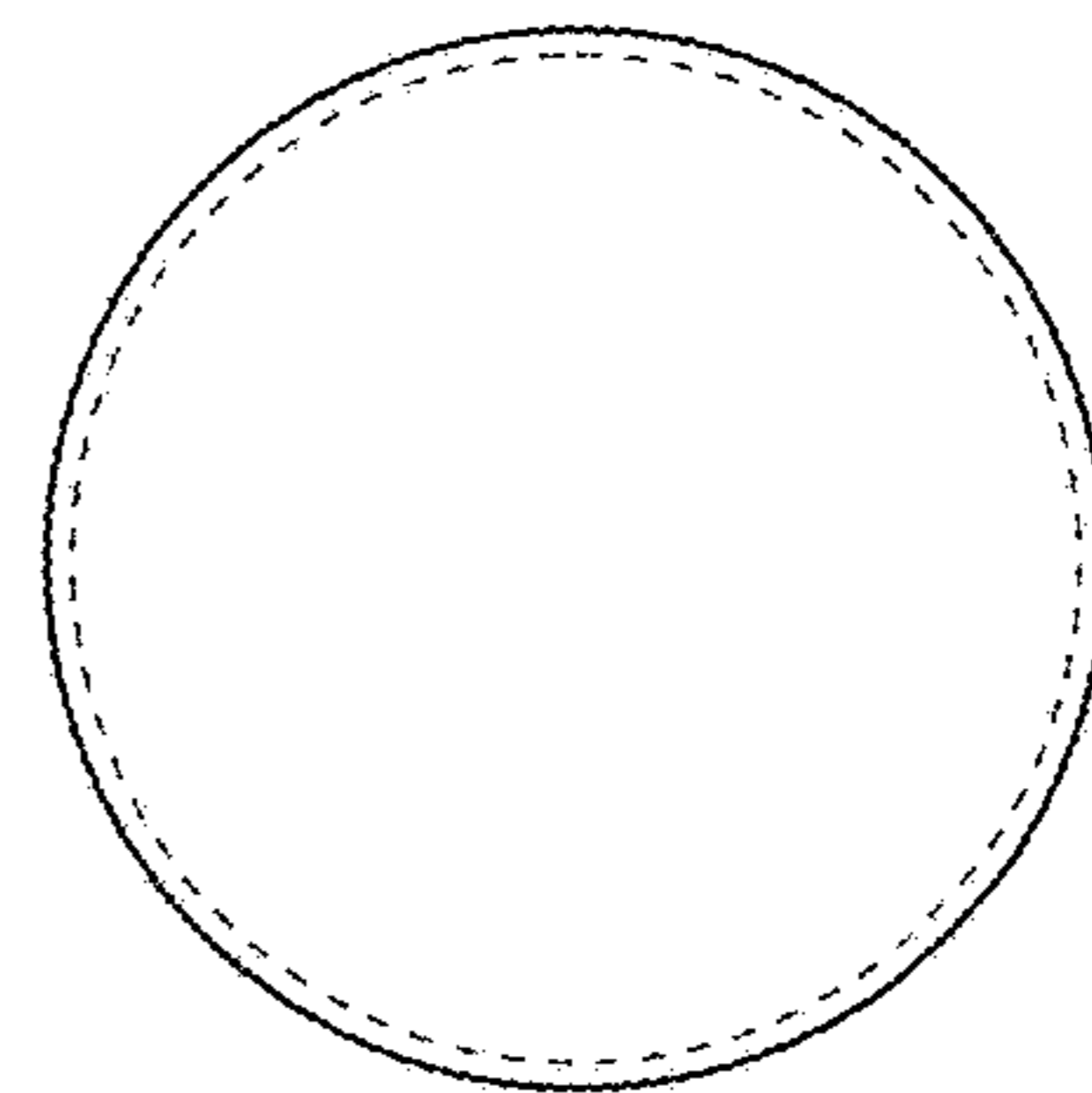


FIG. 28

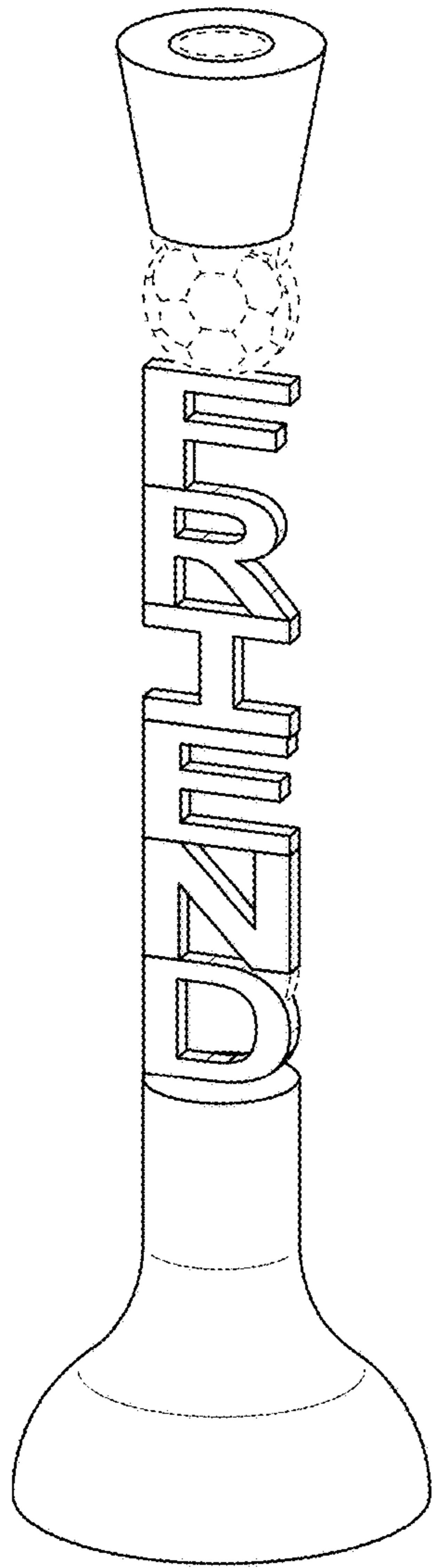


FIG. 29

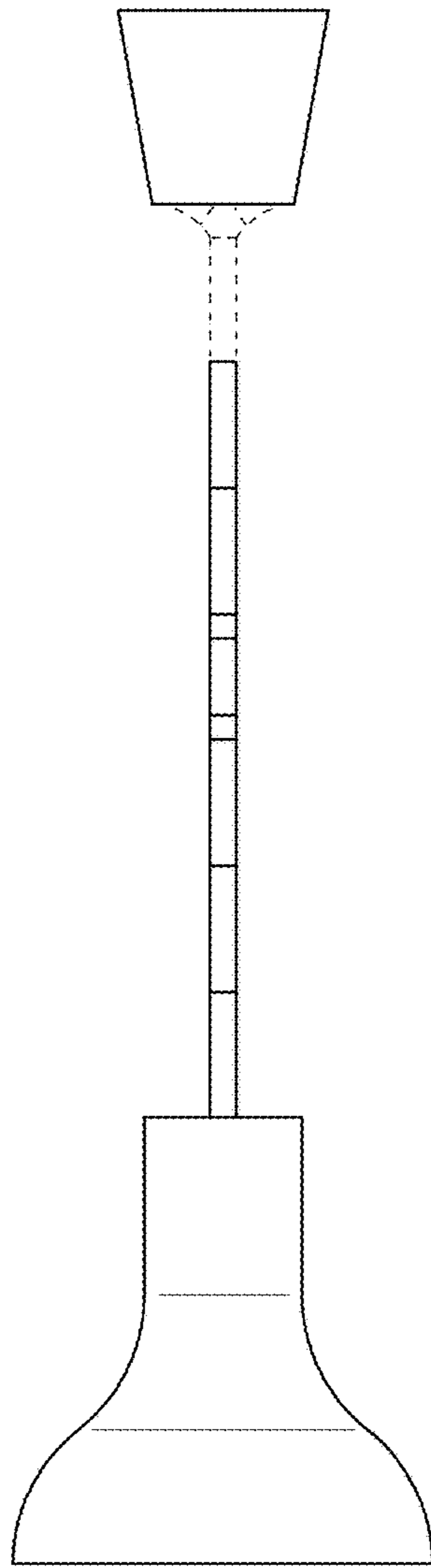


FIG. 30

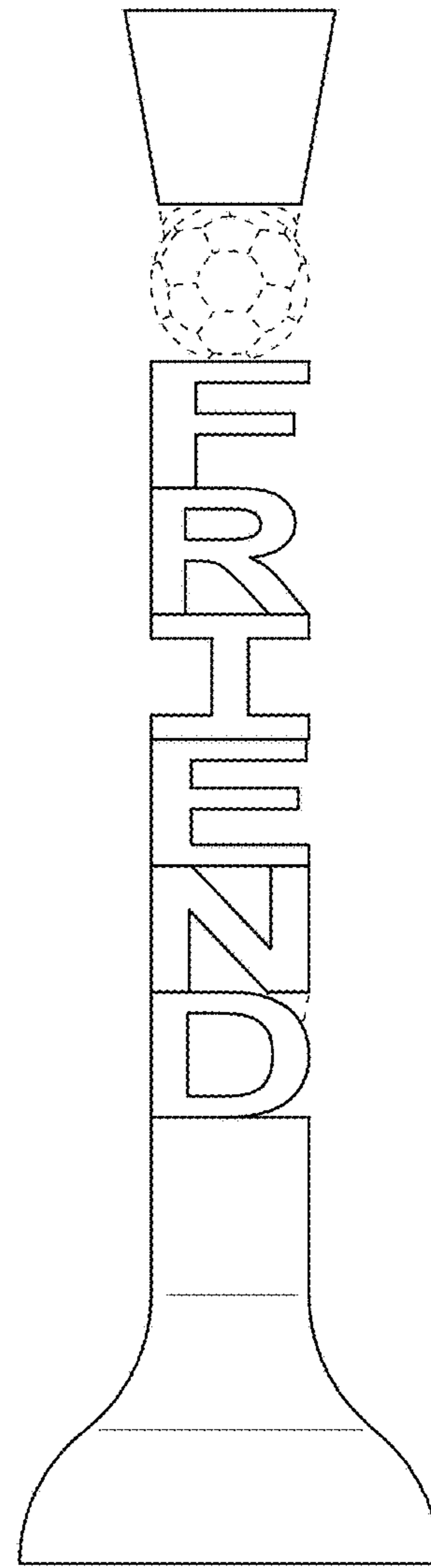


FIG. 31

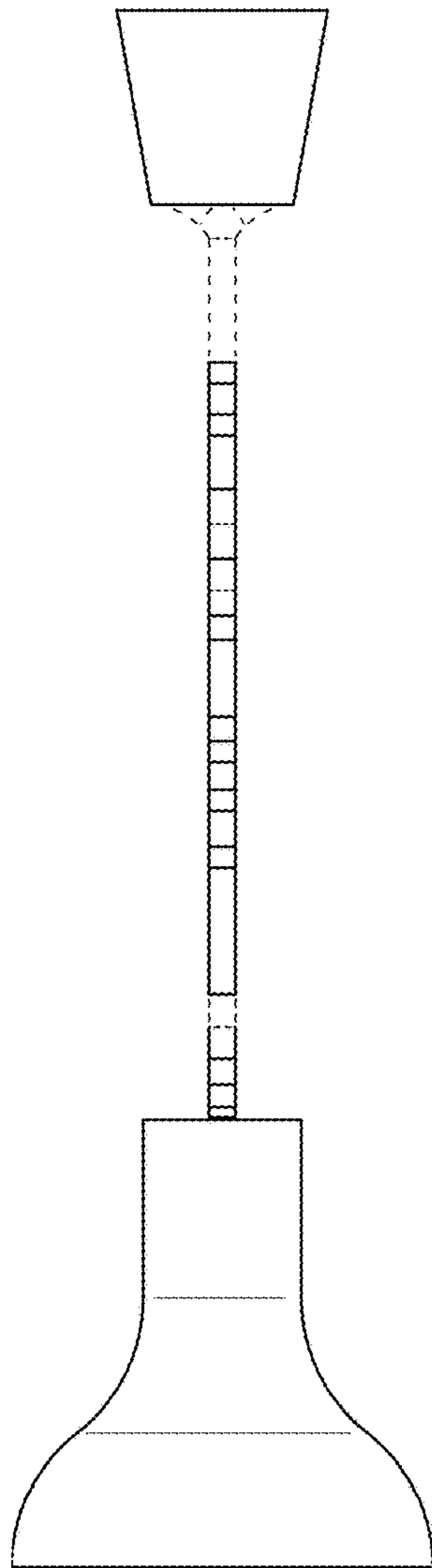


FIG. 32

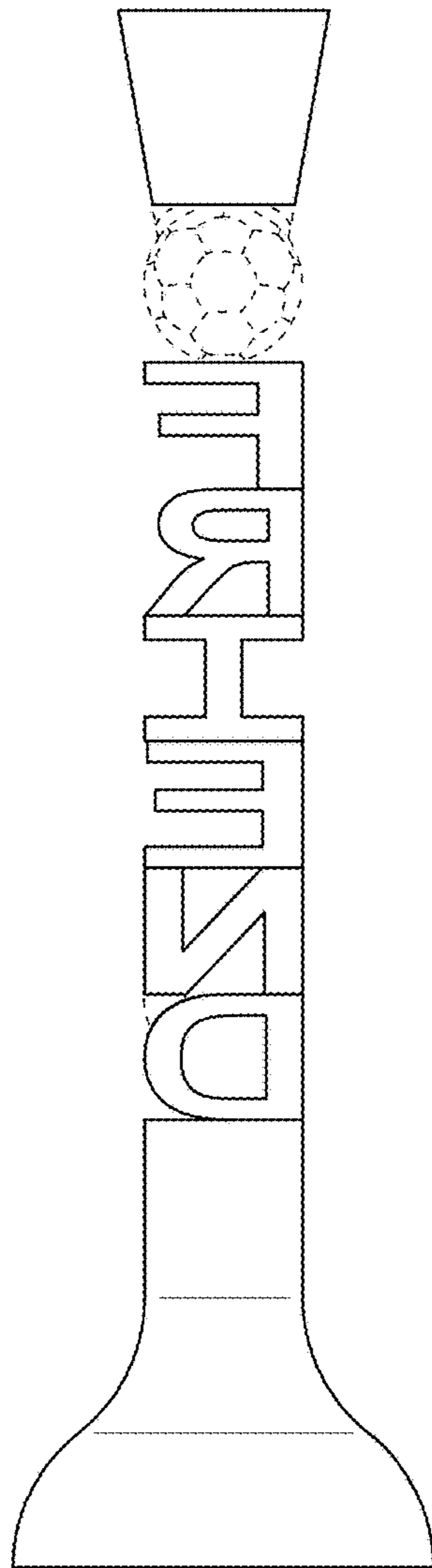


FIG. 33

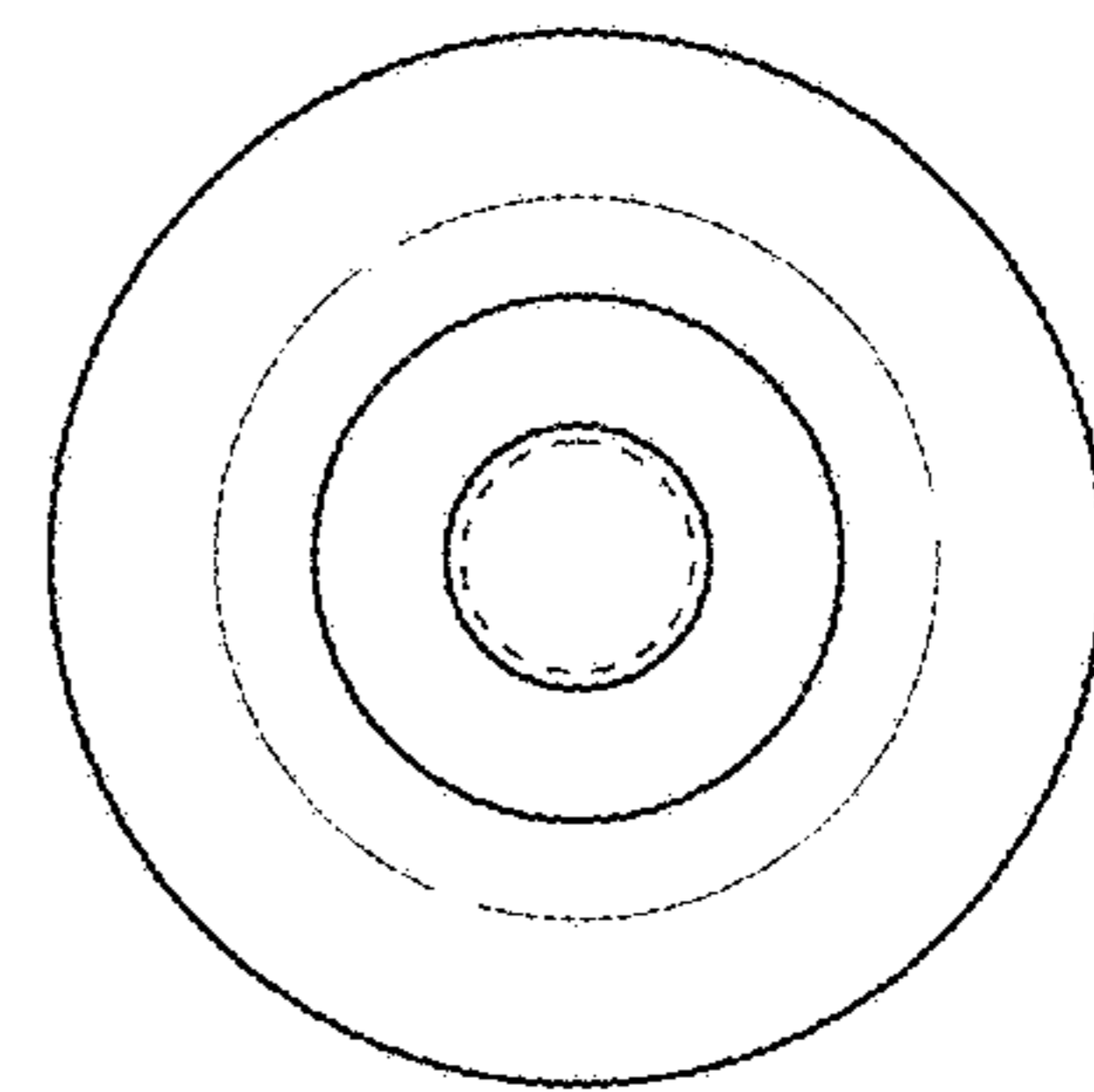


FIG. 34

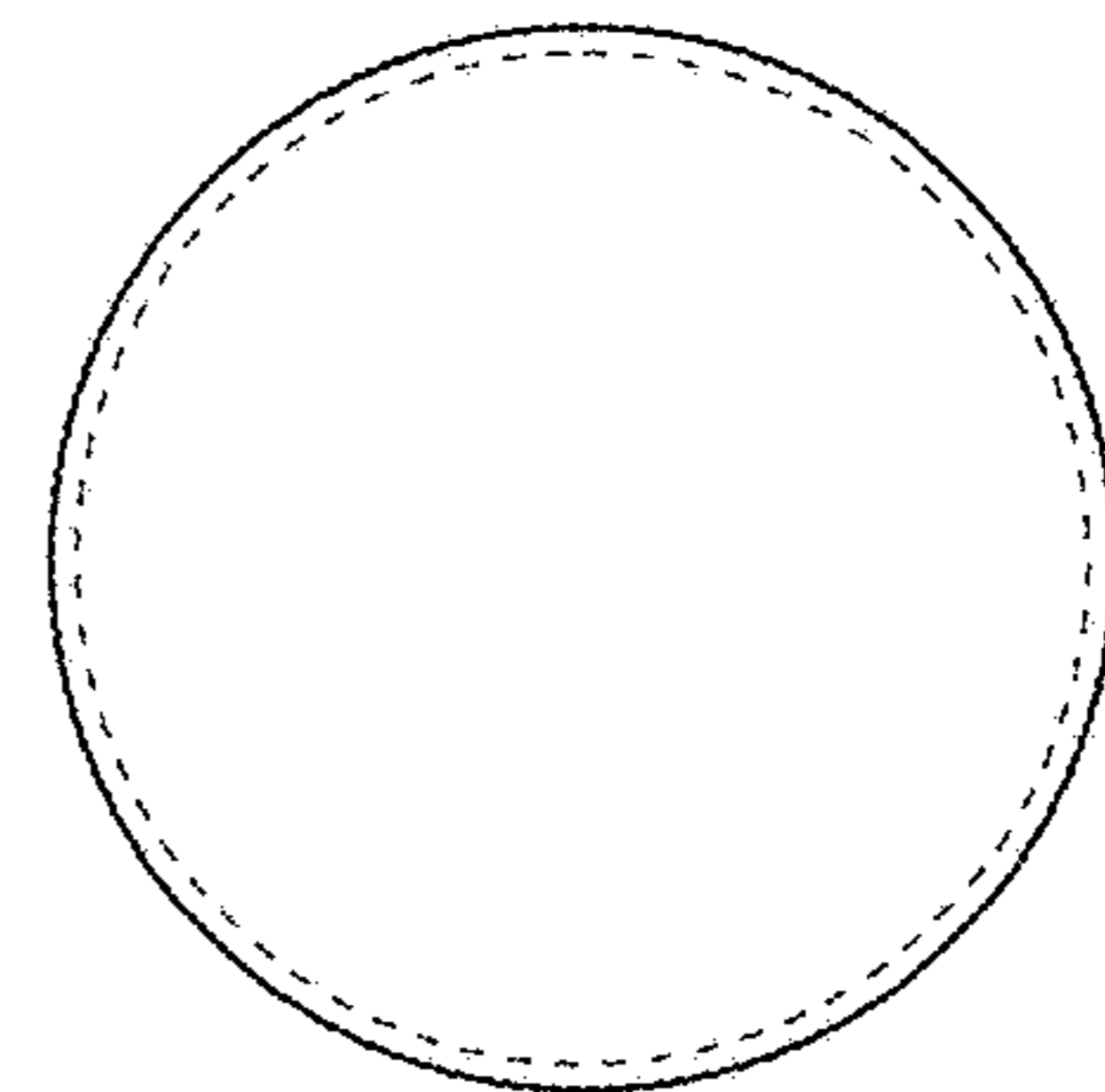


FIG. 35

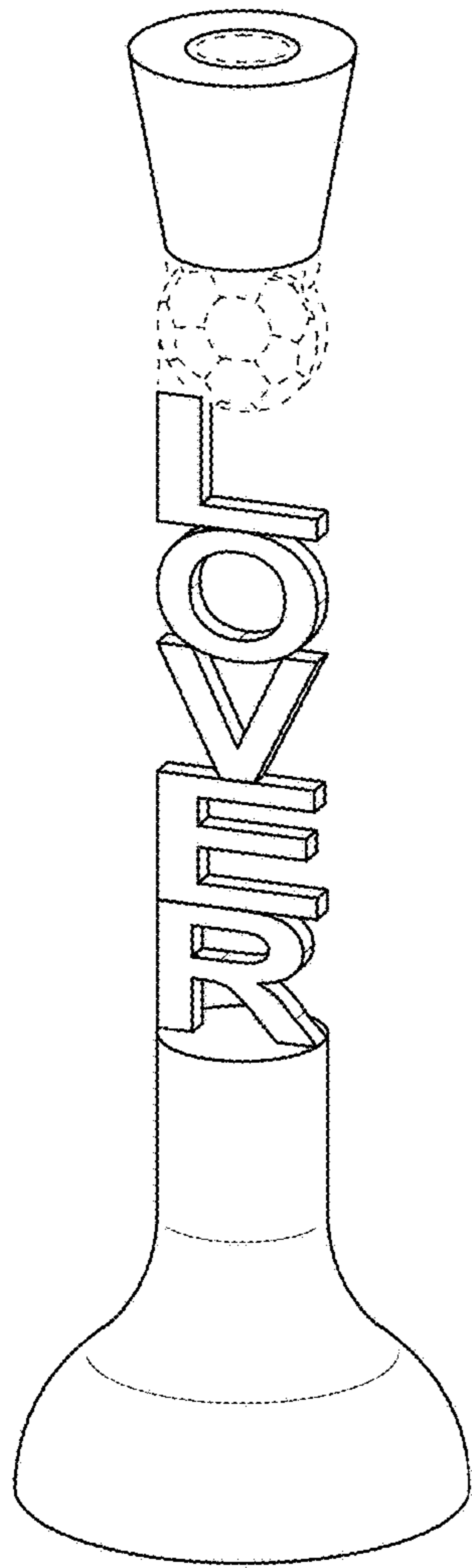


FIG. 36

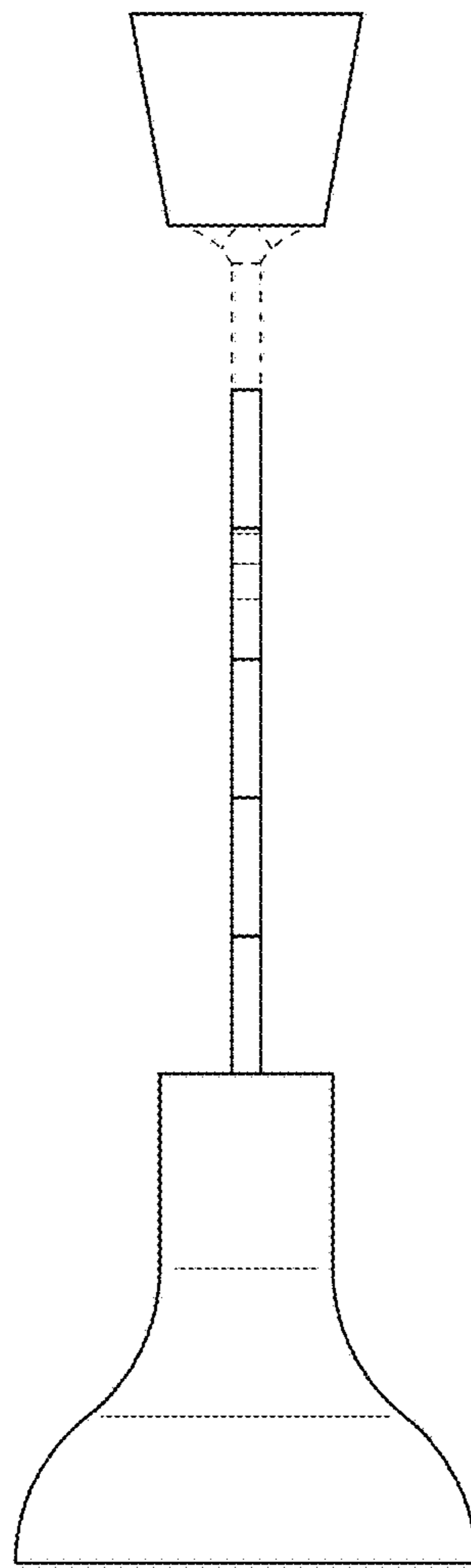


FIG. 37

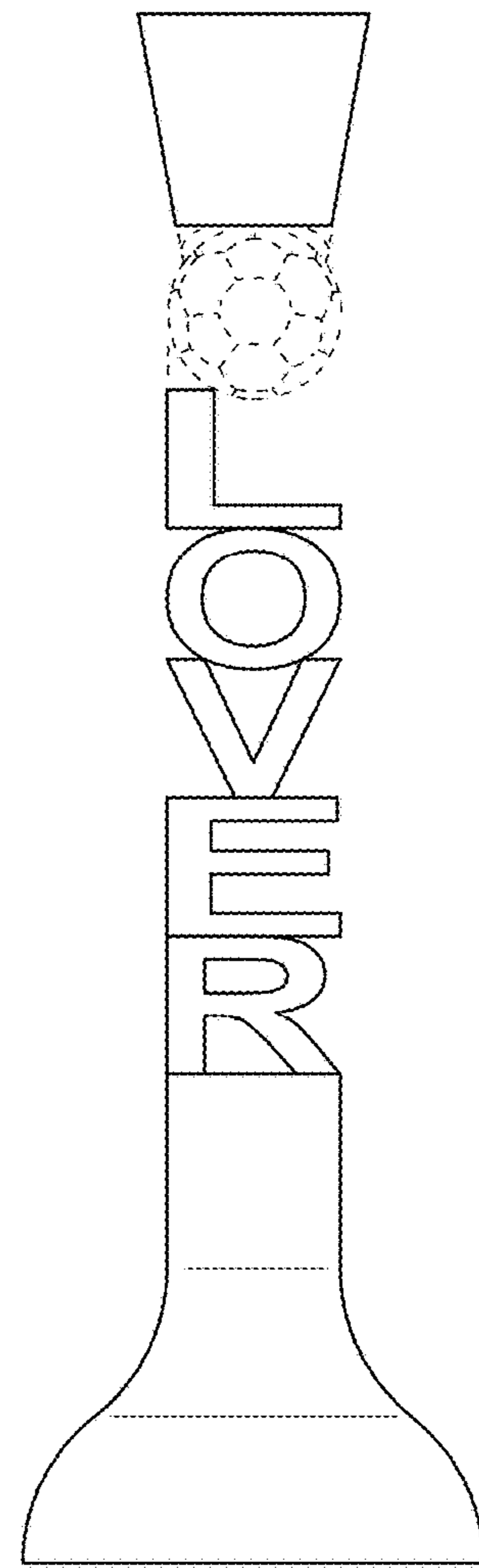


FIG. 38

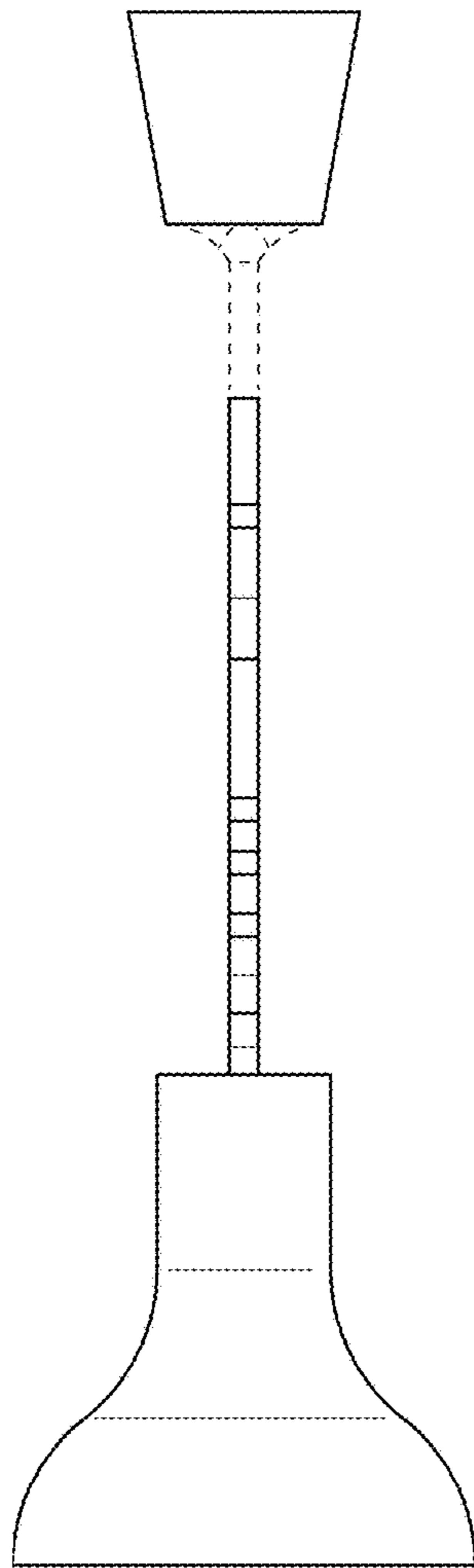


FIG. 39

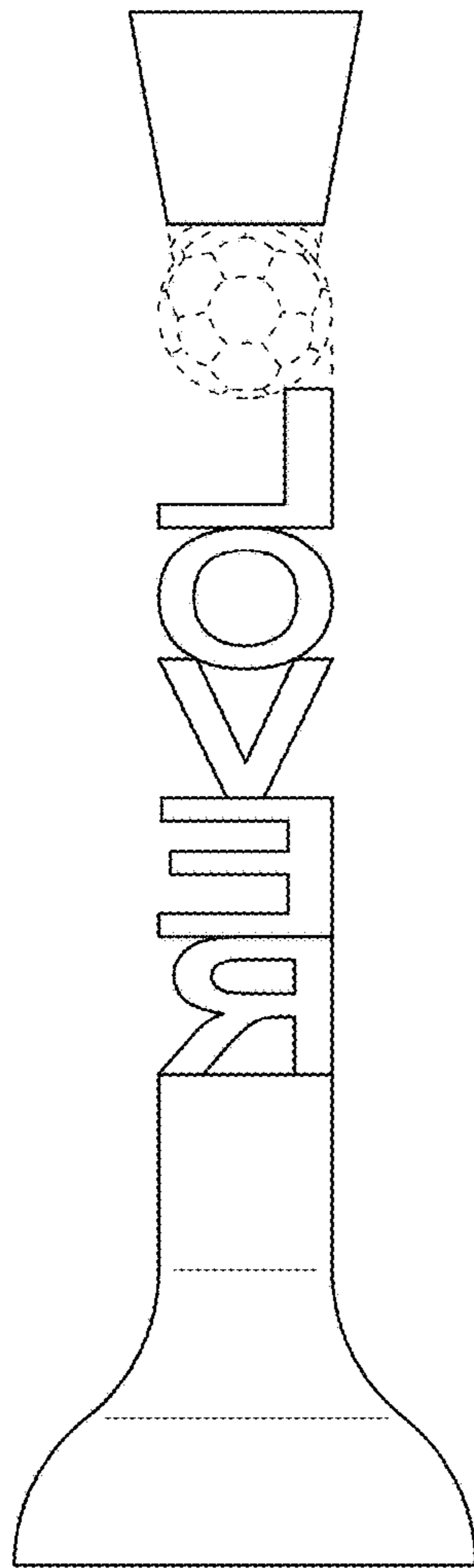


FIG. 40

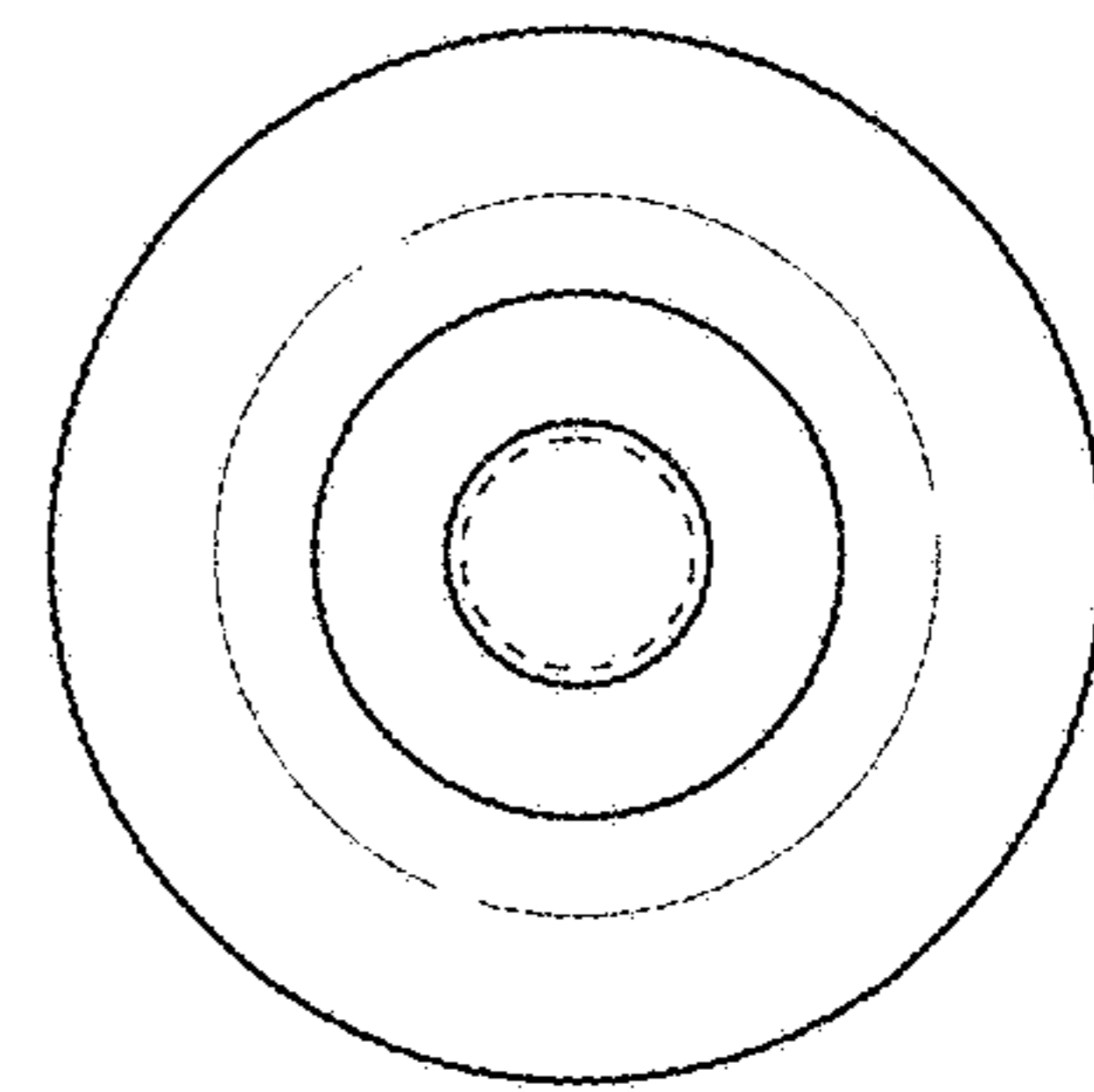


FIG. 41

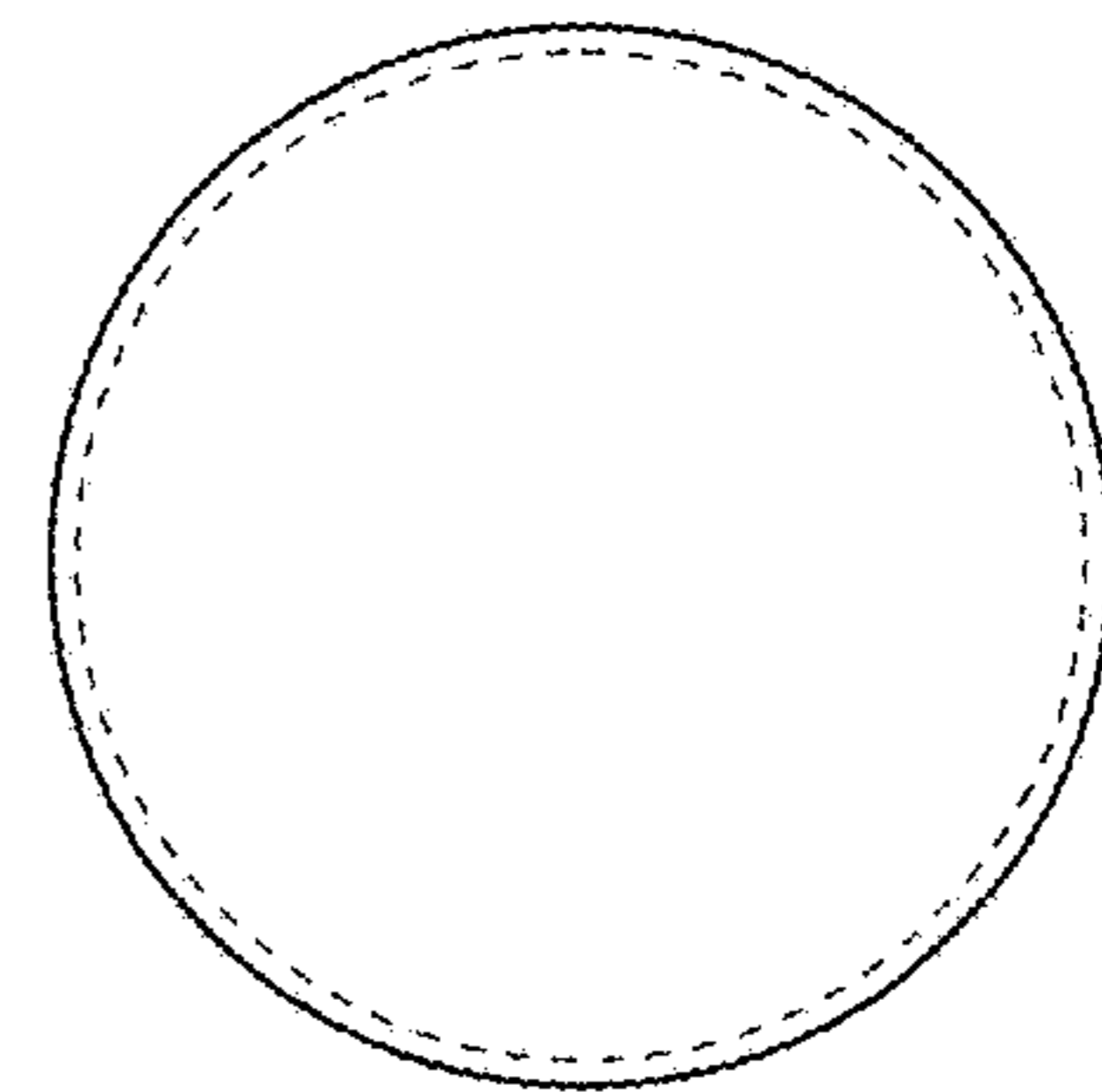


FIG. 42

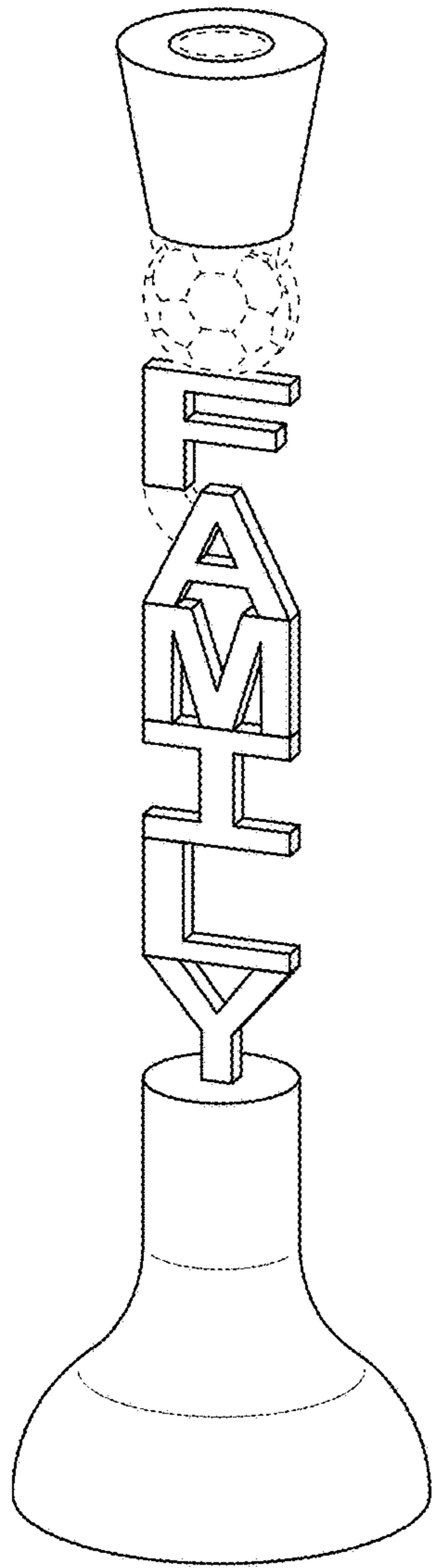


FIG. 43

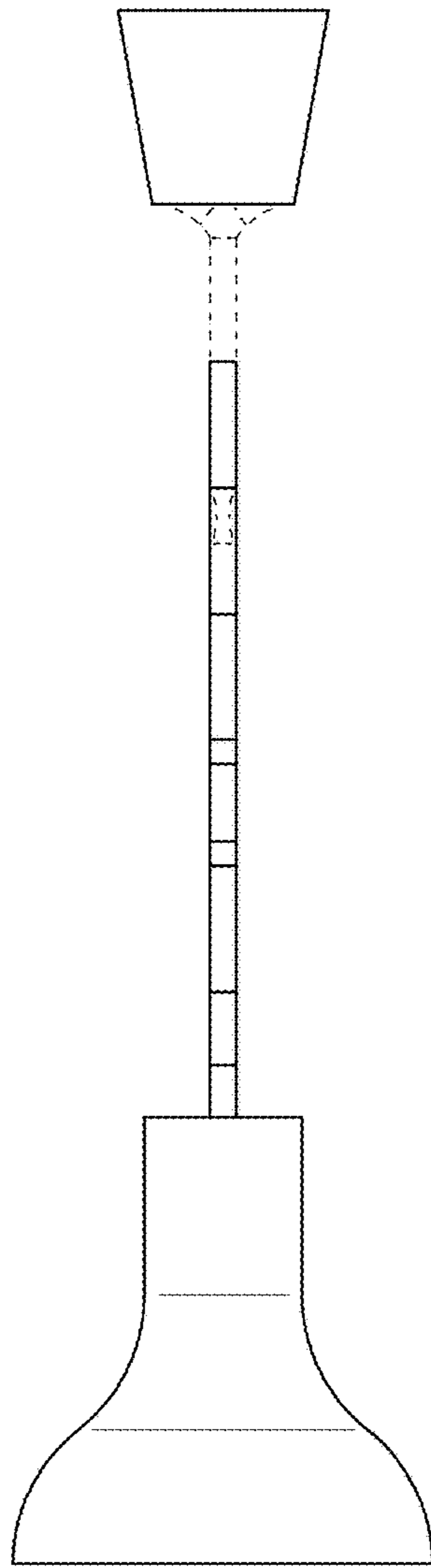


FIG. 44

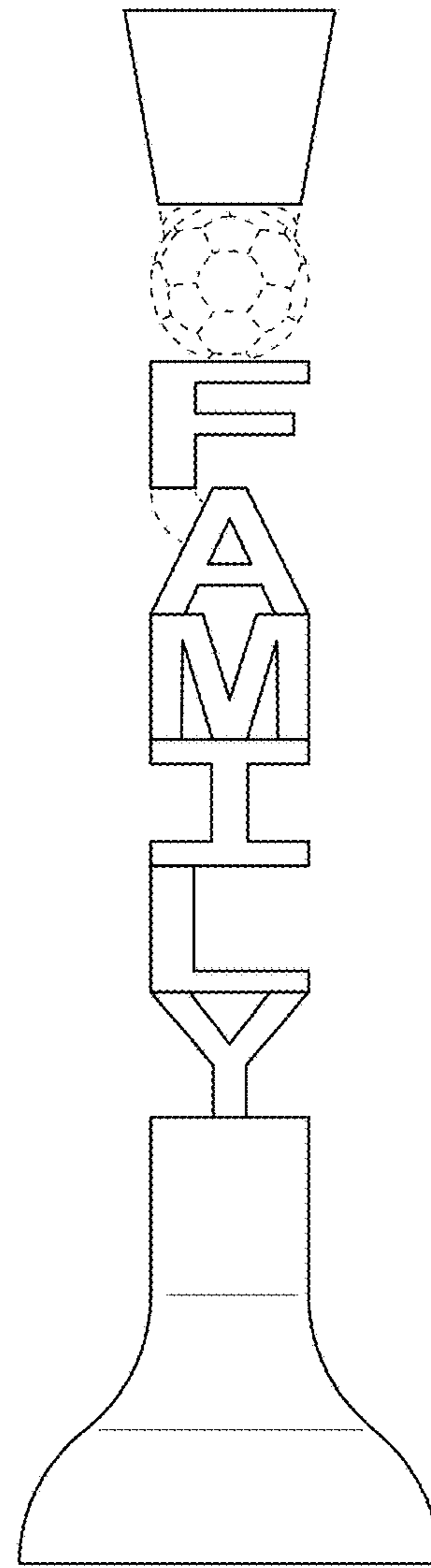


FIG. 45

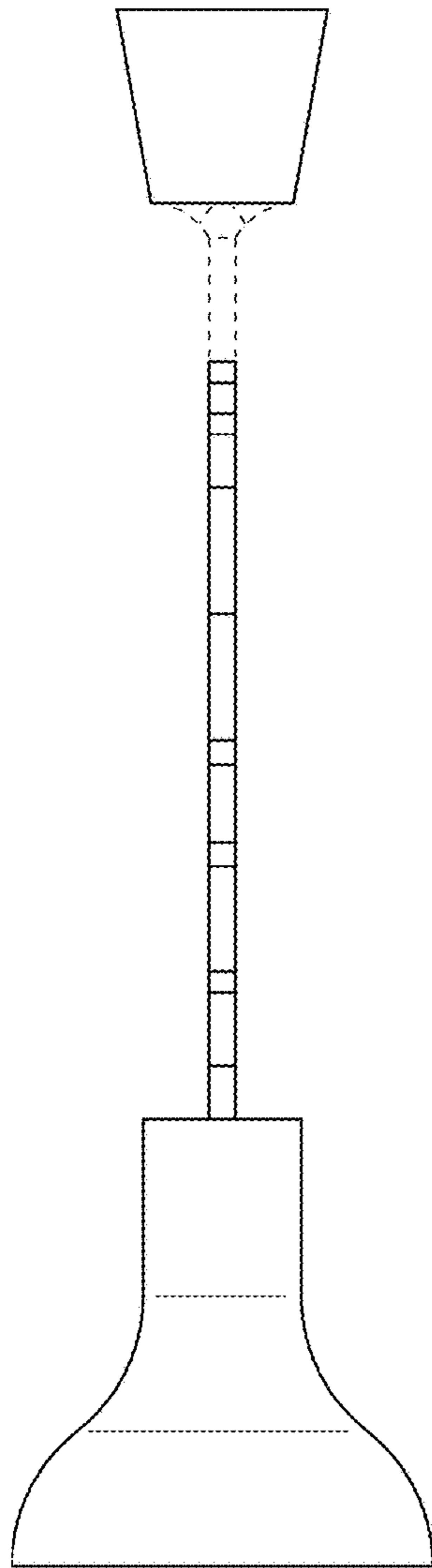


FIG. 46

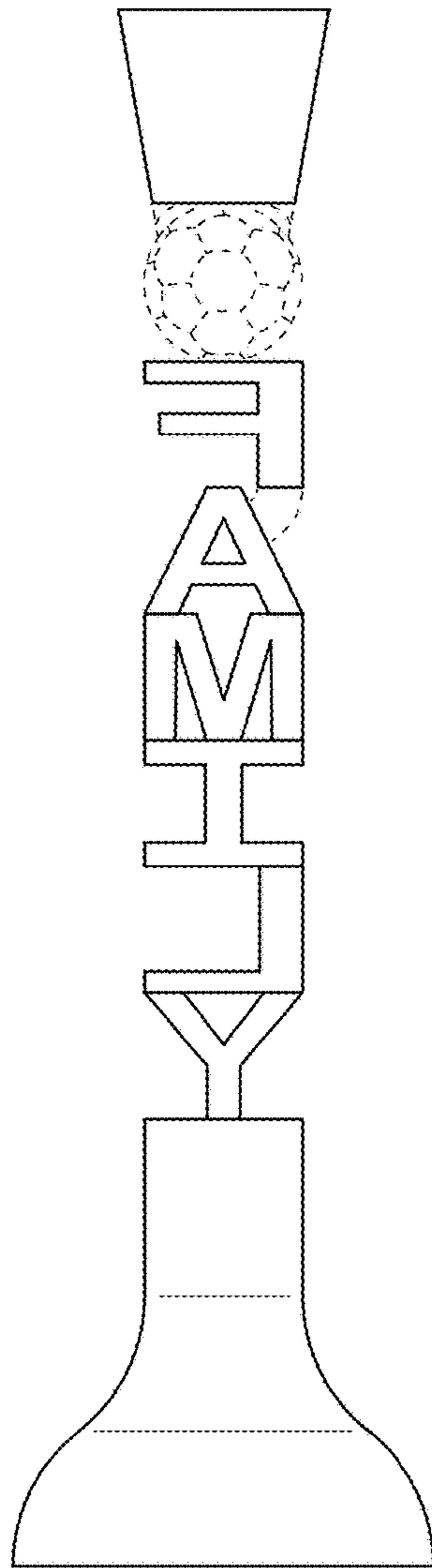


FIG. 47

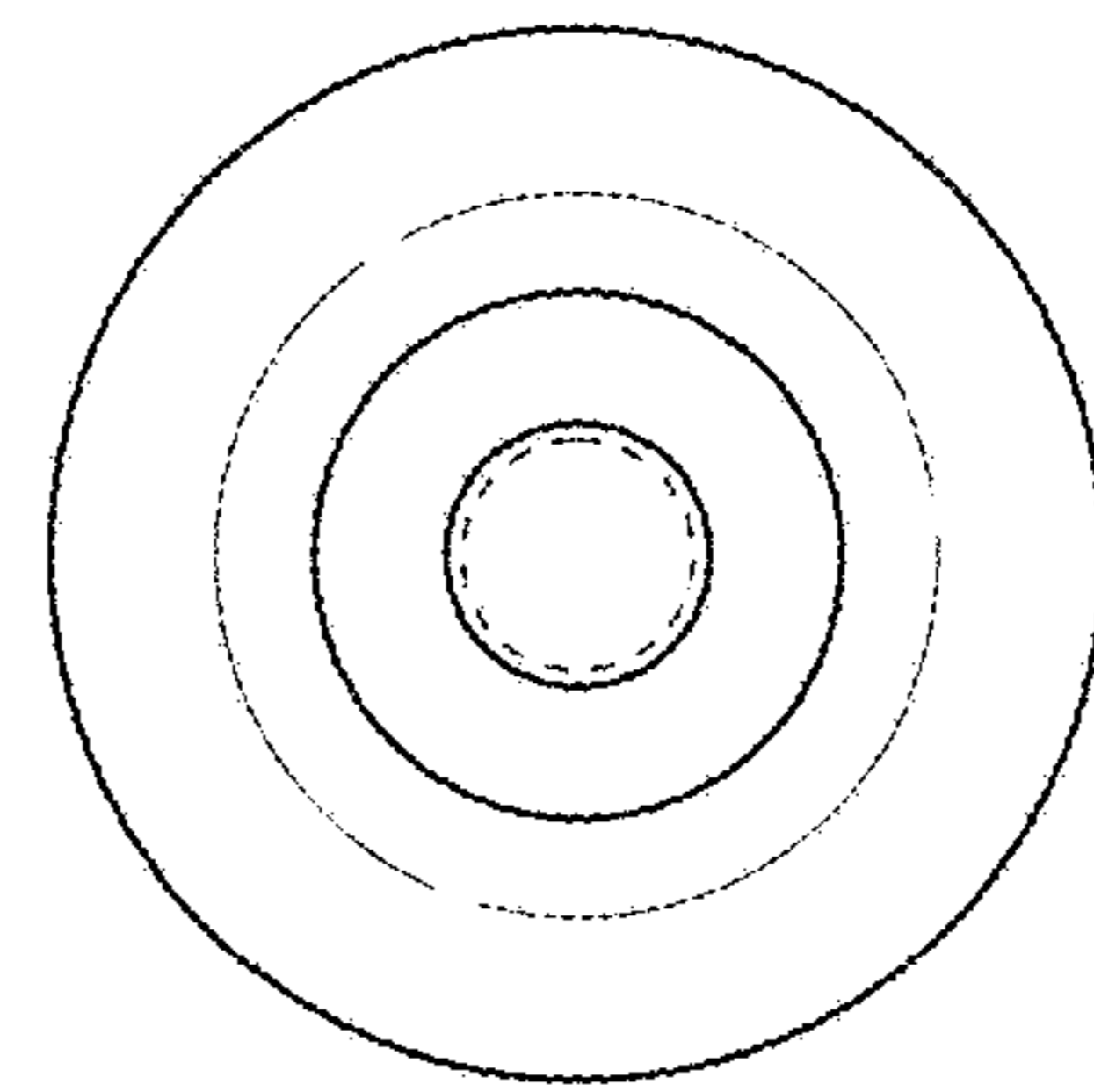


FIG. 48

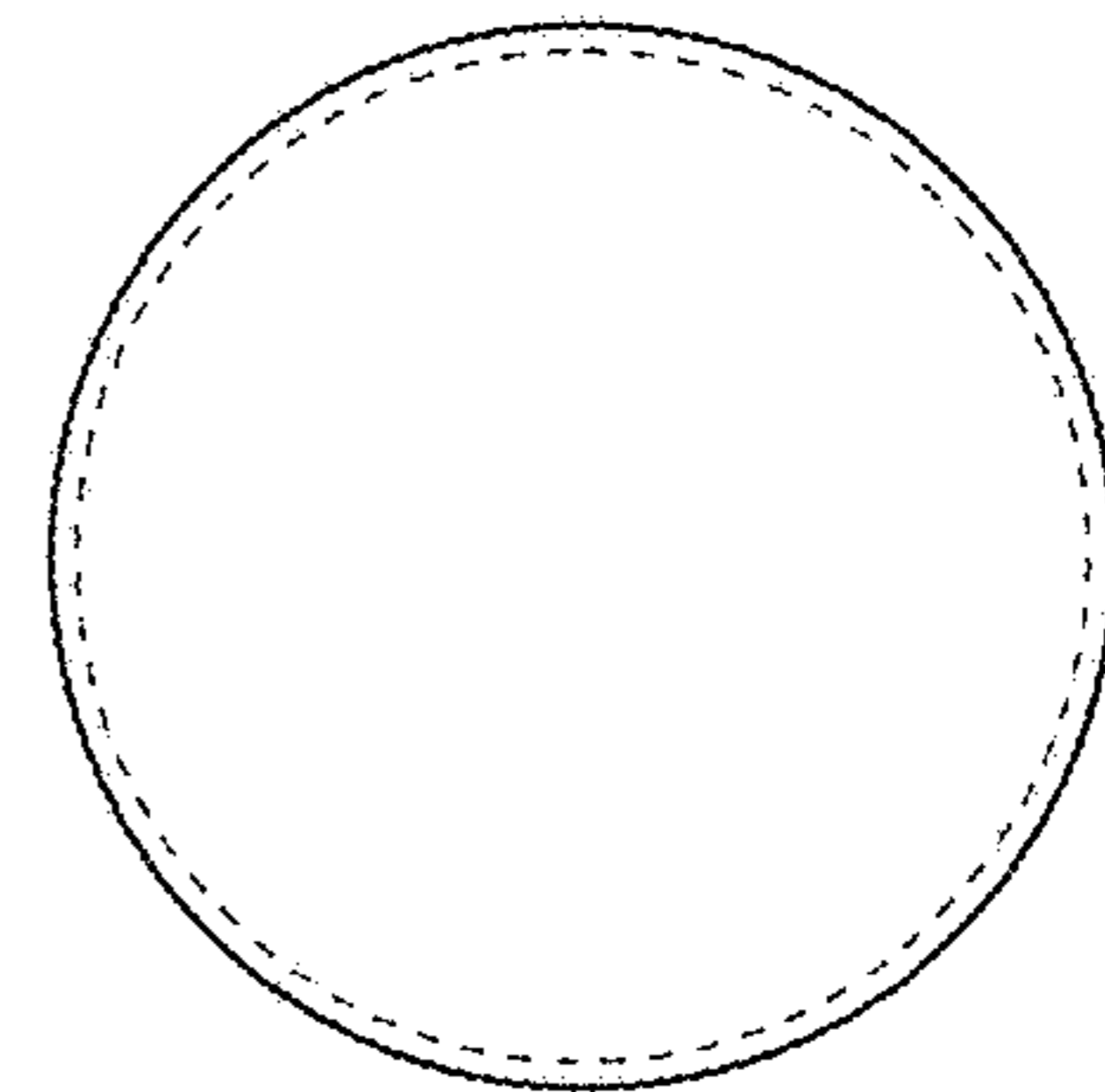


FIG. 49

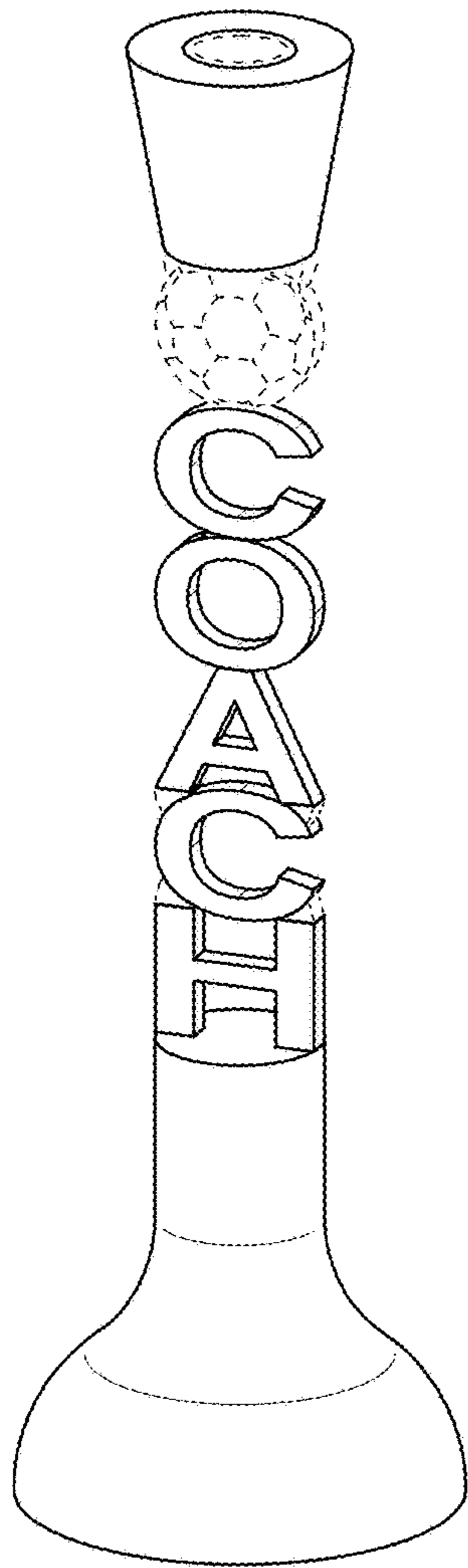


FIG. 50

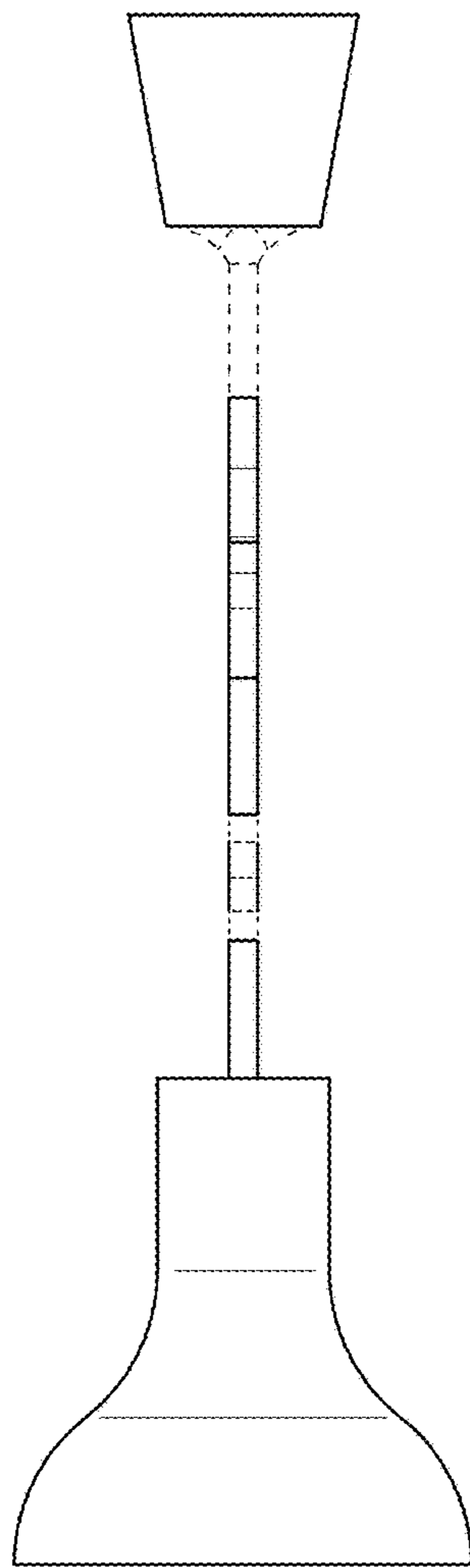


FIG. 51

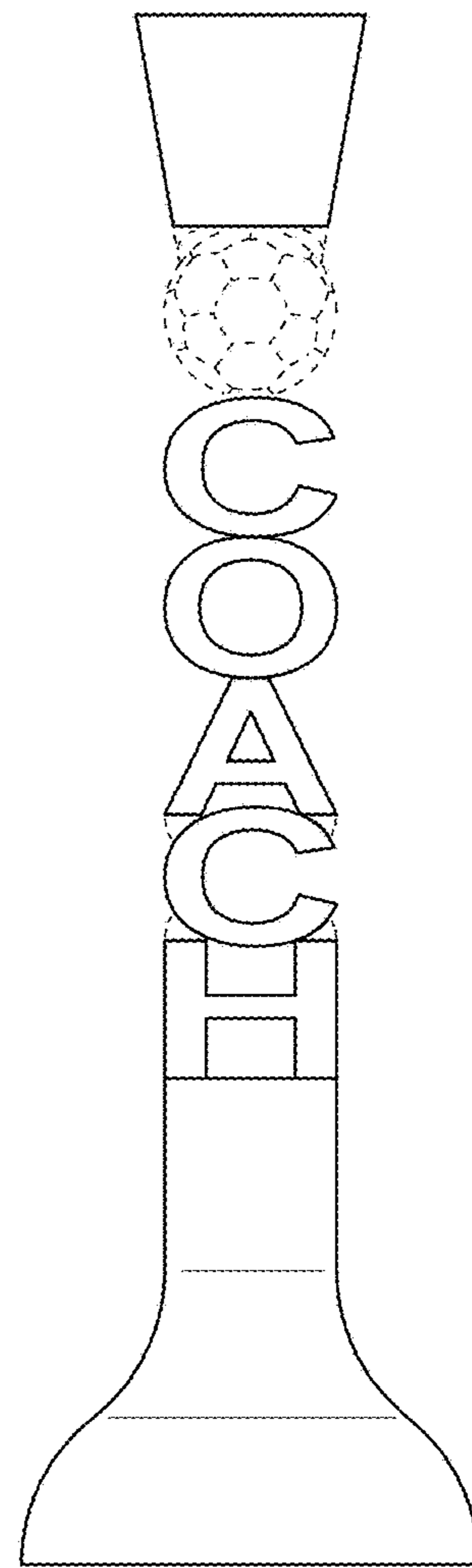


FIG. 52

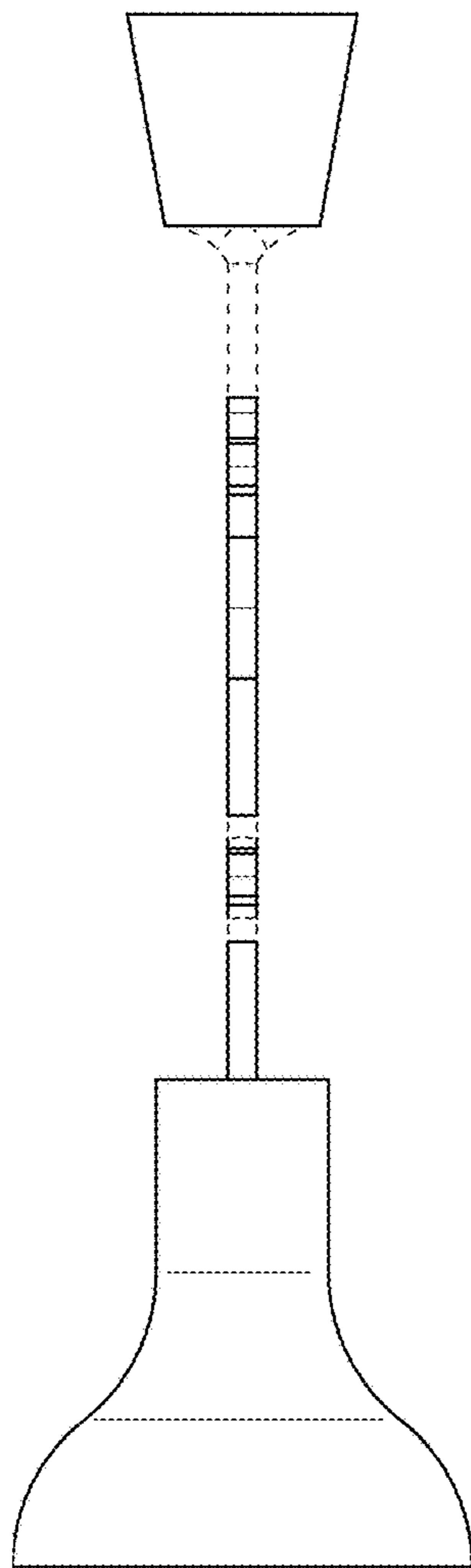


FIG. 53

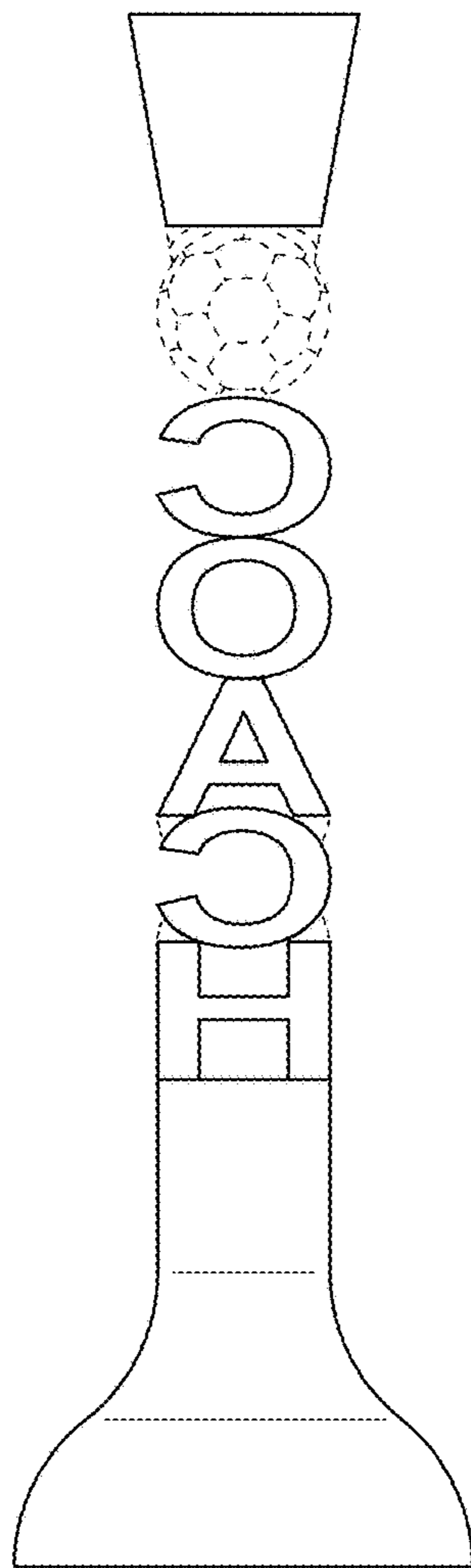


FIG. 54

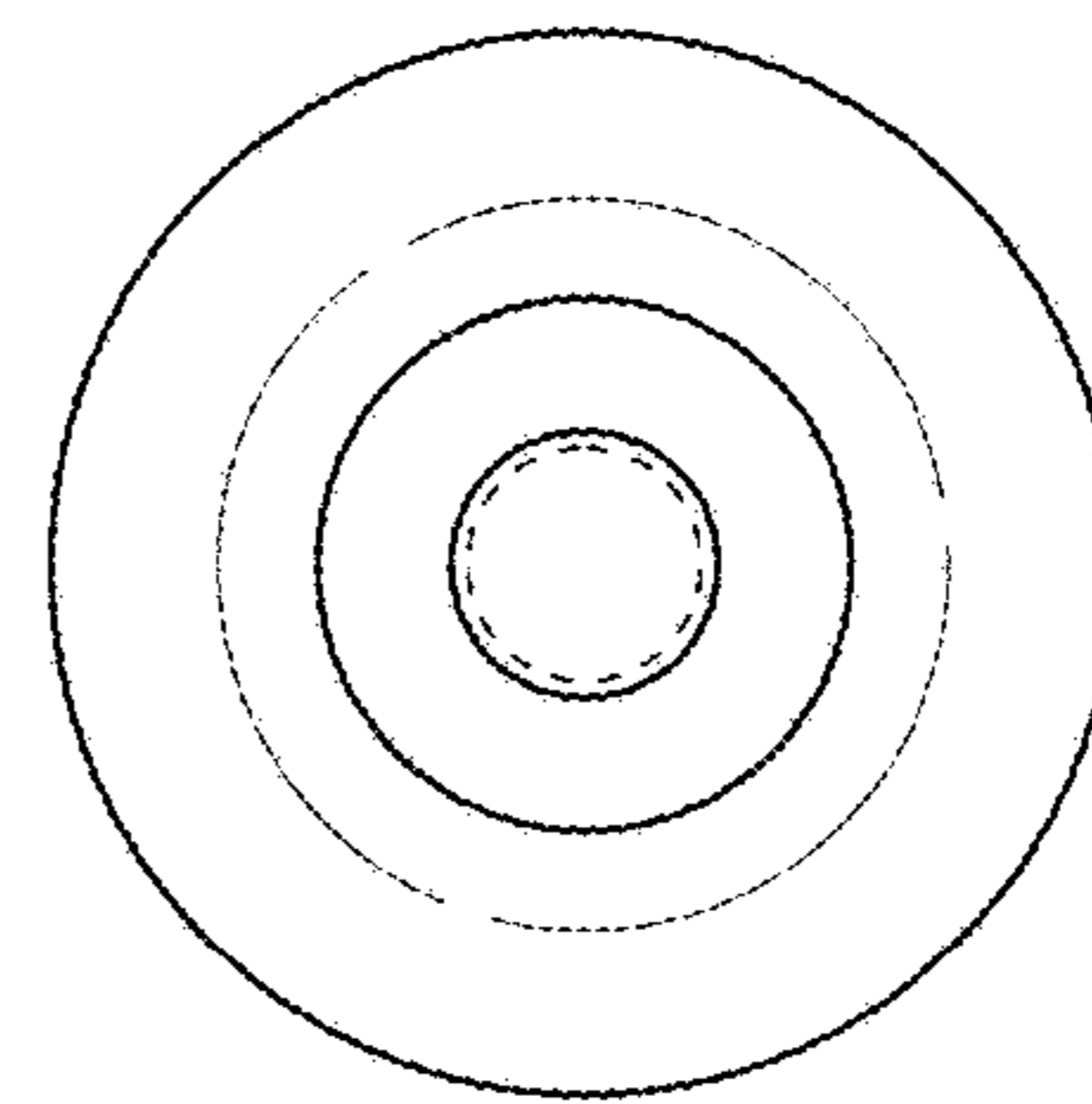


FIG. 55

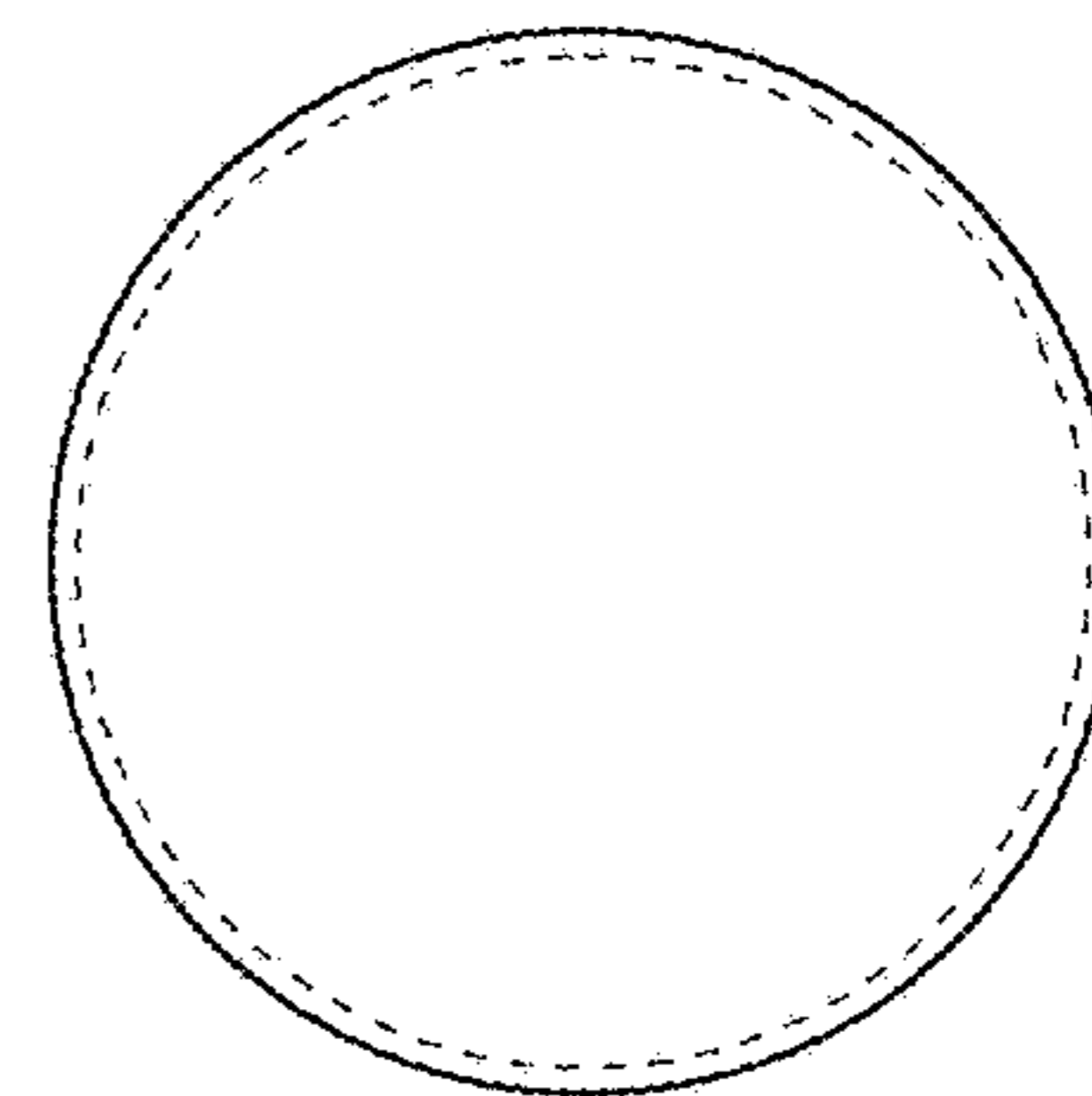


FIG. 56