



US00D835815S

(12) **United States Design Patent**  
**Hirabayashi**

(10) **Patent No.:** **US D835,815 S**

(45) **Date of Patent:** **\*\* Dec. 11, 2018**

(54) **LAMP**

(71) Applicant: **Hitachi High-Technologies Corporation**, Minato-ku, Tokyo (JP)

(72) Inventor: **Yuichi Hirabayashi**, Tokyo (JP)

(73) Assignee: **Hitachi High-Technologies Corporation**, Tokyo (JP)

(\*\*) Term: **15 Years**

(21) Appl. No.: **29/598,021**

(22) Filed: **Mar. 22, 2017**

(30) **Foreign Application Priority Data**

Sep. 29, 2016 (JP) ..... 2016-020979

(51) **LOC (11) Cl.** ..... **26-01**

(52) **U.S. Cl.**  
USPC ..... **D26/1**

(58) **Field of Classification Search**  
USPC ..... D26/1-4, 24, 113; D24/107, 186, 216  
CPC ..... H01J 5/48; H01J 19/54; H01J 5/50; F21K 9/1375; F21K 9/135; F21K 9/13; F21V 5/00

See application file for complete search history.

(56) **References Cited**

**U.S. PATENT DOCUMENTS**

D610,280 S *	2/2010	Hua	.....	D26/24
D744,671 S *	12/2015	Nakanishi	.....	D26/1
D765,889 S *	9/2016	Largent	.....	D26/1
9,506,940 B2	11/2016	Yoshikawa et al.		
D776,835 S *	1/2017	Zhang	.....	D26/1
D798,473 S *	9/2017	Huang	.....	D26/1

**OTHER PUBLICATIONS**

Yoshikawa et al., U.S. Appl. No. 13/988,083, filed May 17, 2013, now abandoned.

Yoshikawa et al., U.S. Appl. No. 14/402,416, filed Nov. 20, 2014, now U.S. Pat. No. 9,506,940.

\* cited by examiner

*Primary Examiner* — Brian N. Vinson

(74) *Attorney, Agent, or Firm* — Crowell & Moring LLP

(57) **CLAIM**

The ornamental design for a lamp, as shown and described.

**DESCRIPTION**

This application contains subject matter related to the following co-pending U.S. design patent application: Application Ser. No. 29/598,018, filed herewith and entitled "LED Holder".

FIG. 1 is a front and top perspective of a lamp according to the design;

FIG. 2 is a front elevational view thereof;

FIG. 3 is a rear elevational view thereof;

FIG. 4 is a left side elevational view thereof;

FIG. 5 is a right side elevational view thereof;

FIG. 6 is a top plan view thereof;

FIG. 7 is a bottom plan view thereof; and,

FIG. 8 is a cross-sectional view taken along line 8-8 of FIG. 2.

The broken lines in the drawings depict unclaimed environmental subject matter.

**1 Claim, 5 Drawing Sheets**

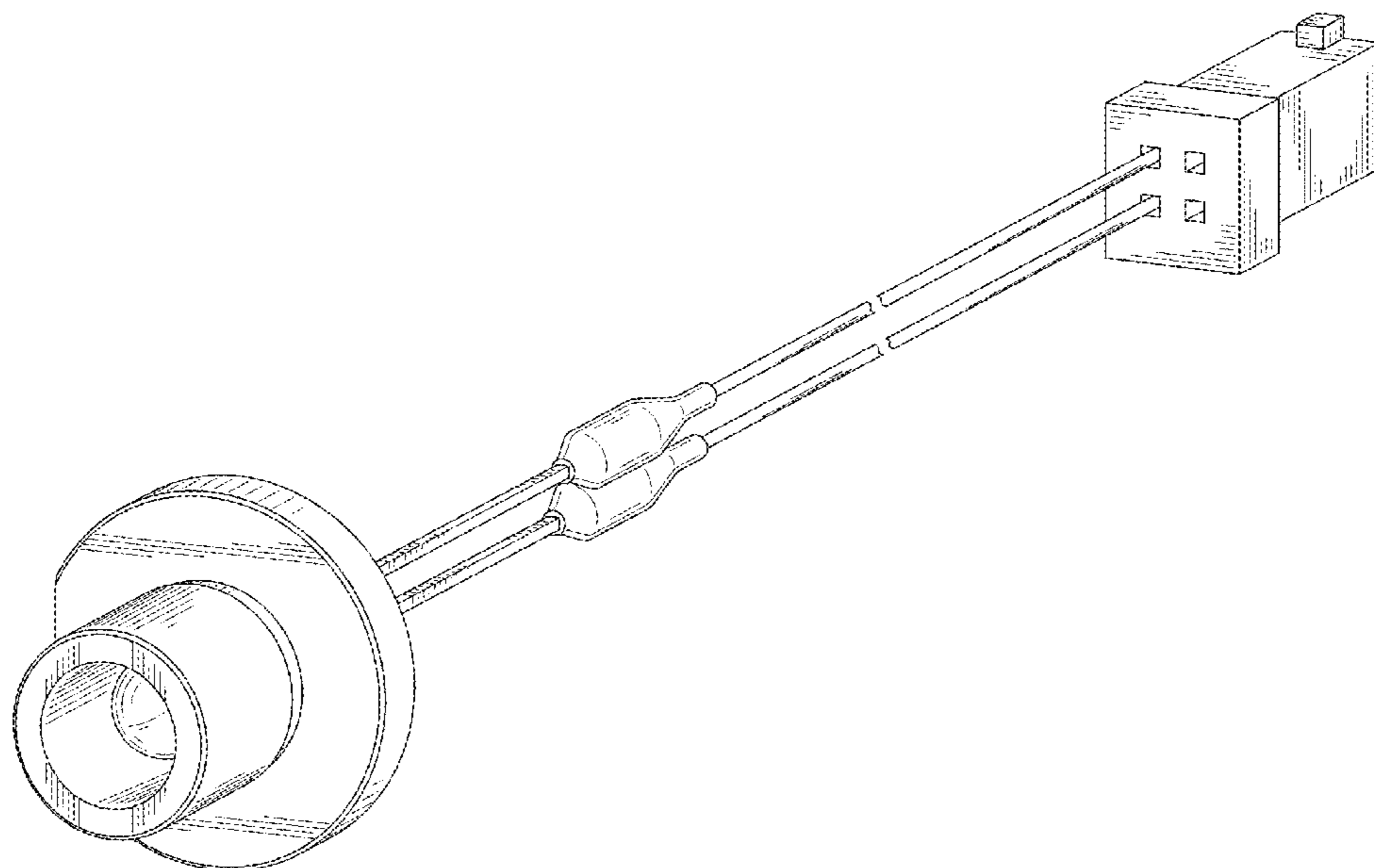


FIG. 1

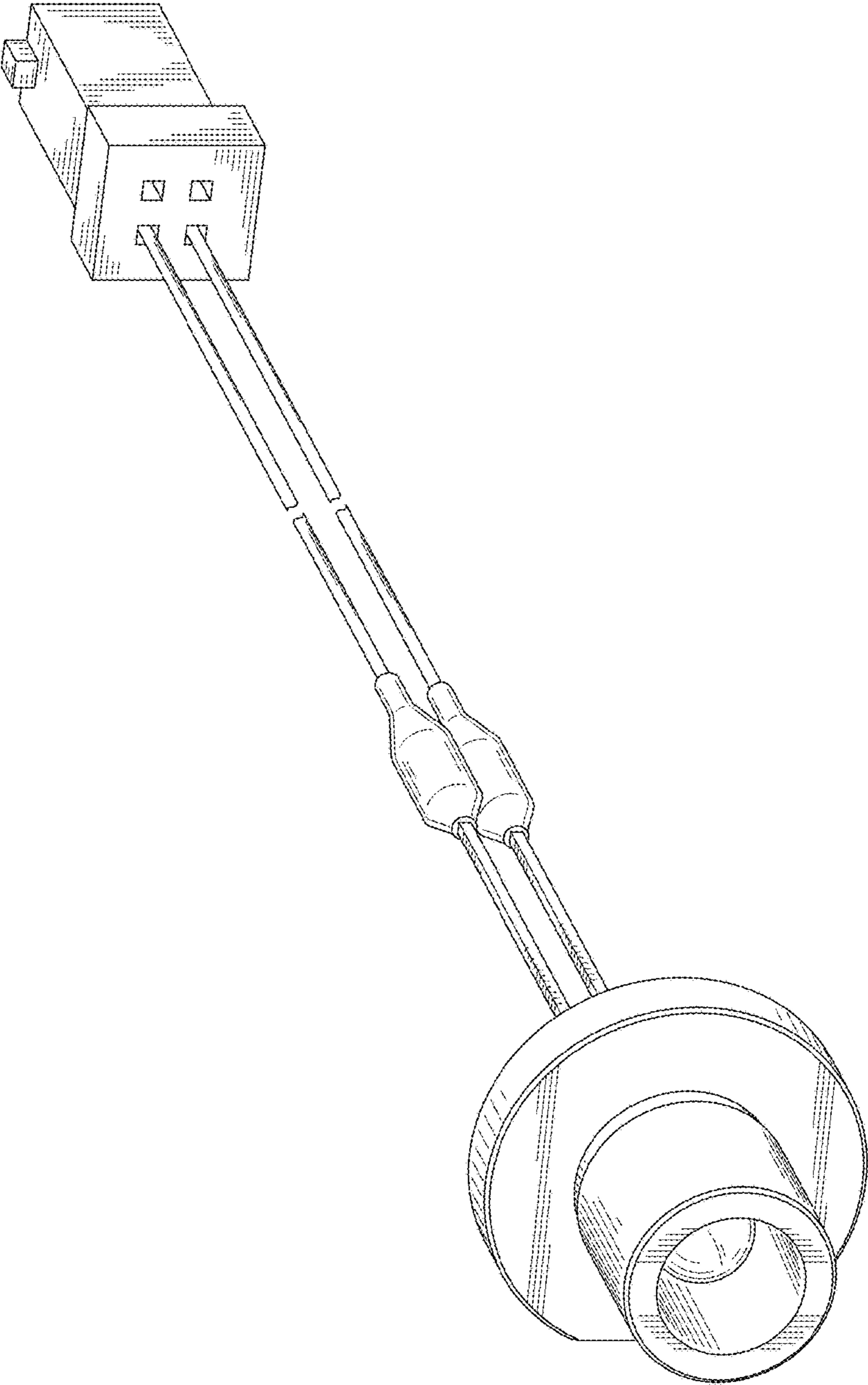


FIG. 2

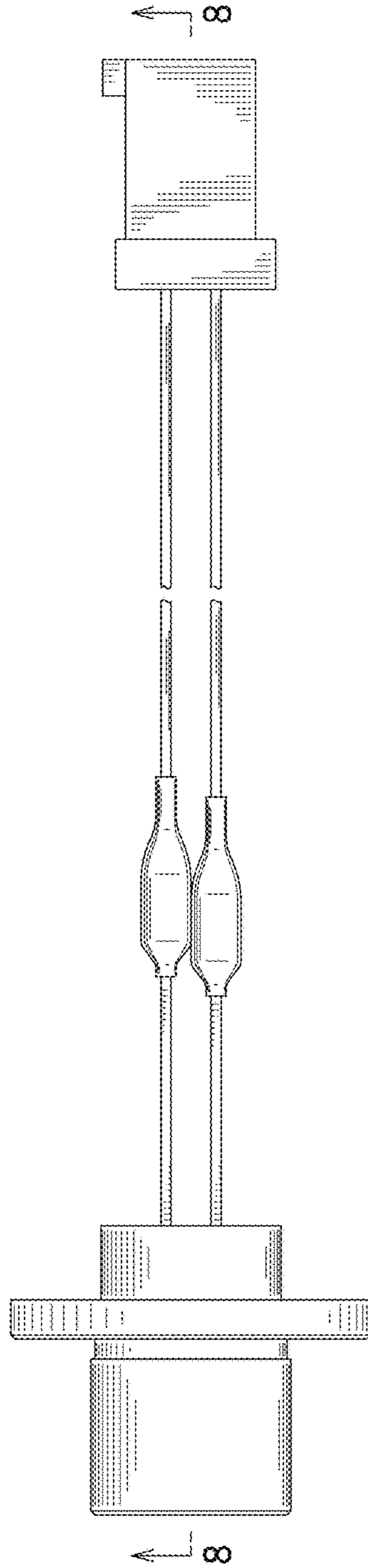


FIG. 3

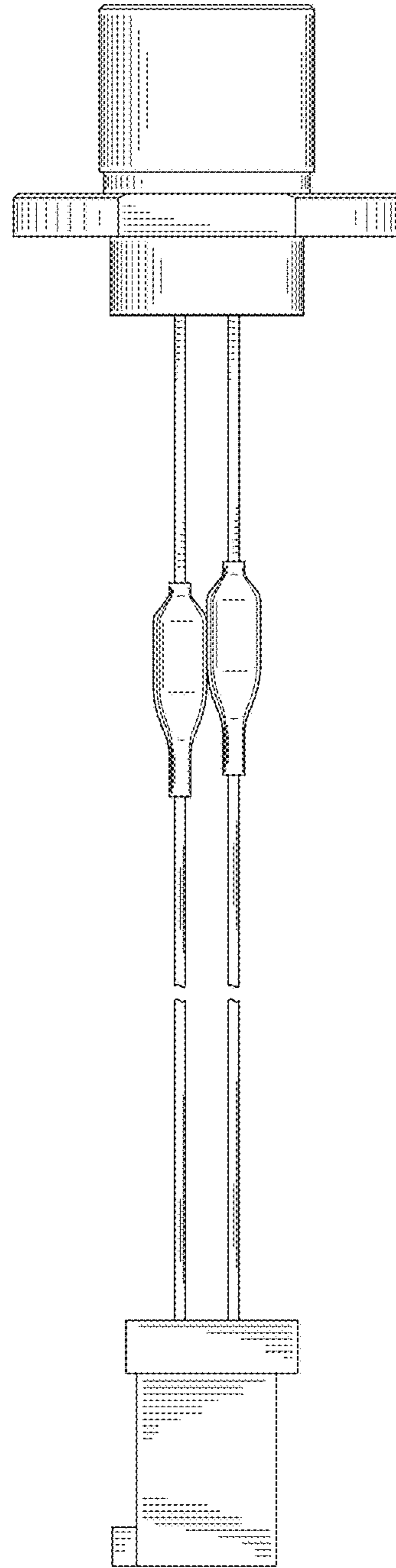


FIG. 4

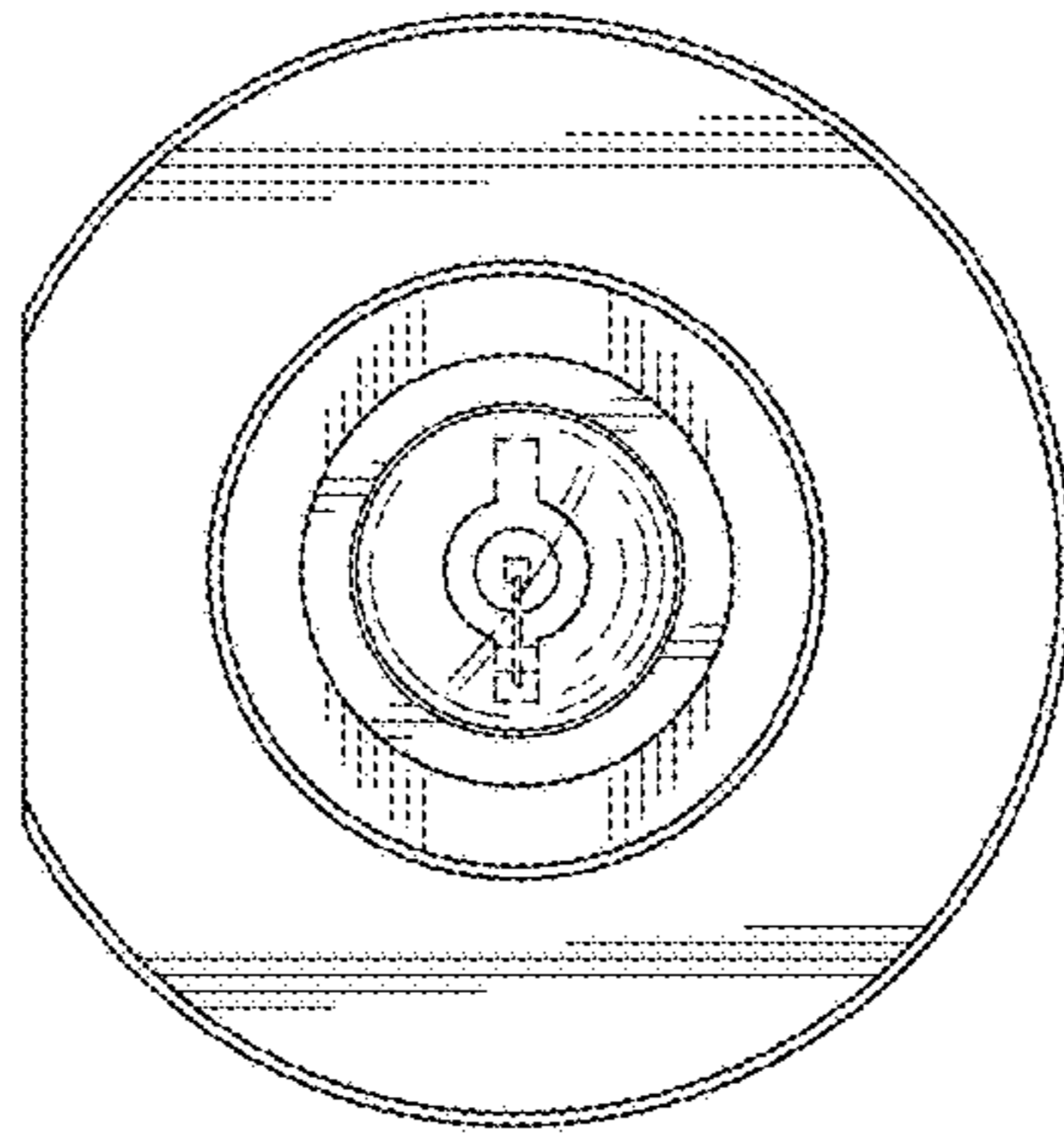


FIG. 5

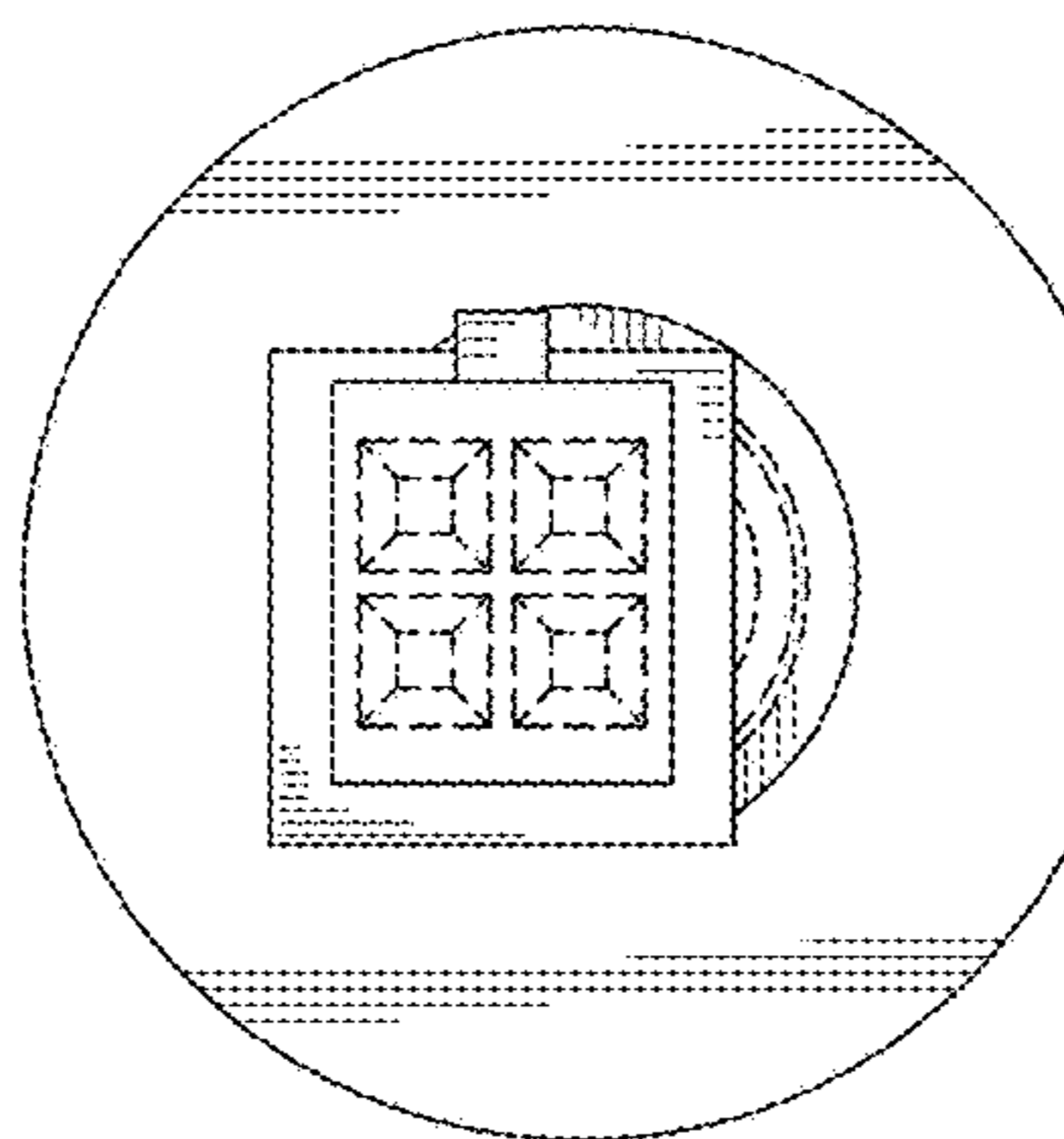


FIG. 6

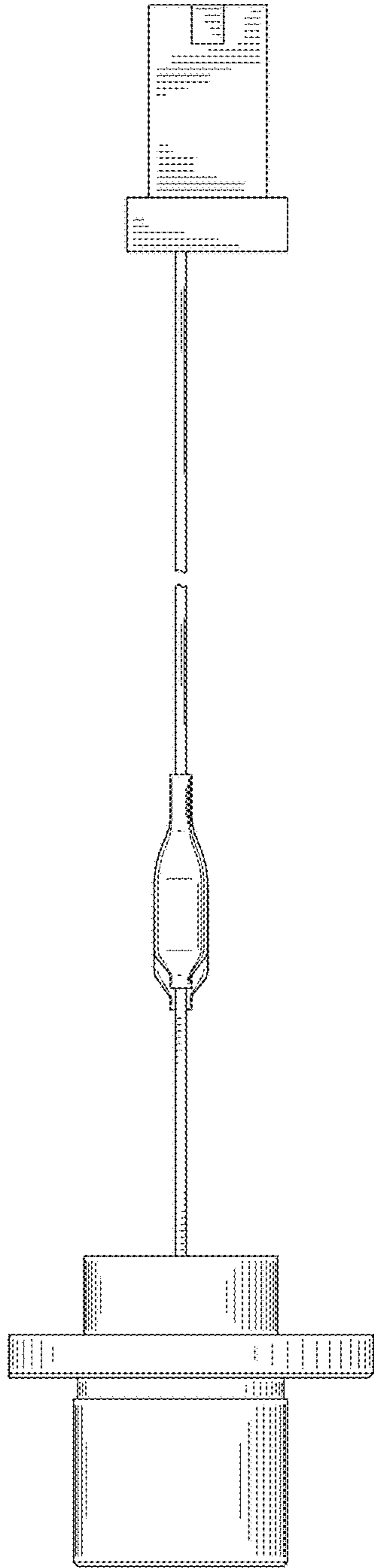


FIG. 7

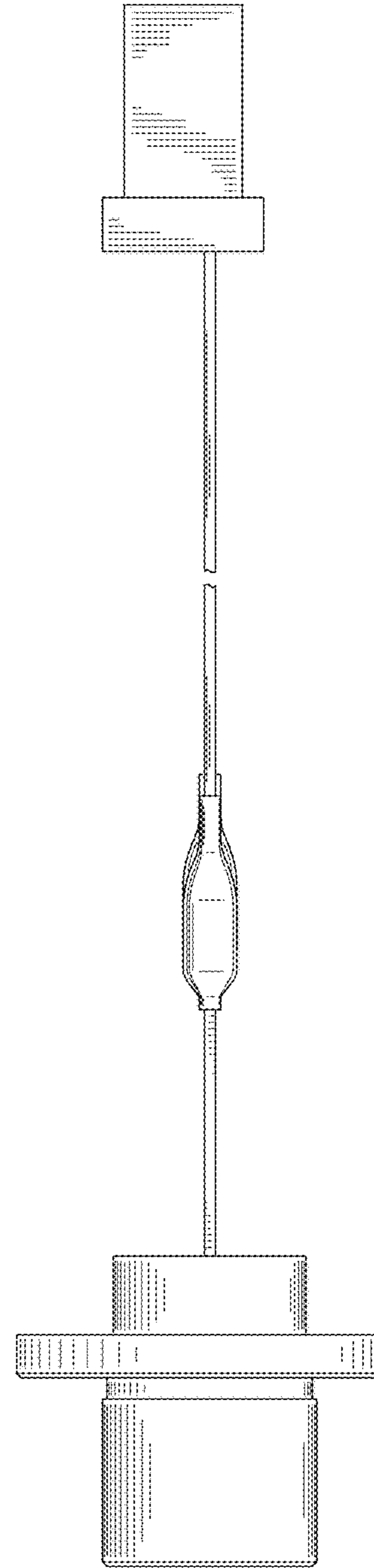


FIG. 8

