



US00D835812S

(12) **United States Design Patent**
Marshall

(10) **Patent No.:** **US D835,812 S**

(45) **Date of Patent:** **** Dec. 11, 2018**

(54) **WINDOW COMPONENT EXTRUSION**

(71) Applicant: **Chelsea Building Products, Inc.**,
Oakmont, PA (US)

(72) Inventor: **Phillip Marshall**, Pittsburgh, PA (US)

(73) Assignee: **Chelsea Building Products, Inc.**,
Oakmont, PA (US)

(**) Term: **15 Years**

(21) Appl. No.: **29/628,263**

(22) Filed: **Dec. 4, 2017**

(51) **LOC (11) Cl.** **25-01**

(52) **U.S. Cl.**
USPC **D25/124**

(58) **Field of Classification Search**
USPC D25/60, 119-125, 164
CPC E04F 19/02; E04F 19/022; E04F 19/024;
E04F 19/026; E04F 19/028; E04F 19/04;
E04F 19/0436; E04F 19/06; E04F
2019/0404; E04F 2019/044; E06B 1/04;
E06B 1/12; E06B 1/26; E06B 1/28; E06B
1/36; E06B 1/52; E06B 1/70; E06B 1/06;
E06B 1/14; E06B 1/16; E06B 1/30; E06B
1/366; E06B 1/38; E06B 1/40; E06B
1/522; E06B 1/524; E06B 1/526; E06B
1/528; E06B 1/702; E06B 1/705
See application file for complete search history.

(56) **References Cited**

U.S. PATENT DOCUMENTS

D375,804 S	*	11/1996	Goss	D25/124
D433,516 S	*	11/2000	Goss	D25/124
D440,669 S	*	4/2001	Habeck	D25/124
D441,100 S	*	4/2001	Habeck	D25/124
D442,292 S	*	5/2001	Habeck	D25/124
D442,293 S	*	5/2001	Habeck	D25/124
D444,893 S	*	7/2001	Gross	D25/124
D448,094 S	*	9/2001	Cole	D25/124

D448,864 S	*	10/2001	Marshall	D25/124
D461,014 S	*	7/2002	Marshall	D25/124
D466,623 S	*	12/2002	Ballard	D25/124
D467,011 S	*	12/2002	Ballard	D25/124
D467,355 S	*	12/2002	Ballard	D25/124
D536,106 S	*	1/2007	Wickland	D25/124
D552,761 S	*	10/2007	Wickland	D25/124
D552,762 S	*	10/2007	Wickland	D25/124
D555,811 S	*	11/2007	Wickland	D25/124

(Continued)

Primary Examiner — Cynthia Ramirez

Assistant Examiner — L. Martinez

(74) *Attorney, Agent, or Firm* — Vorys, Sater, Seymour
and Pease LLP

(57) **CLAIM**

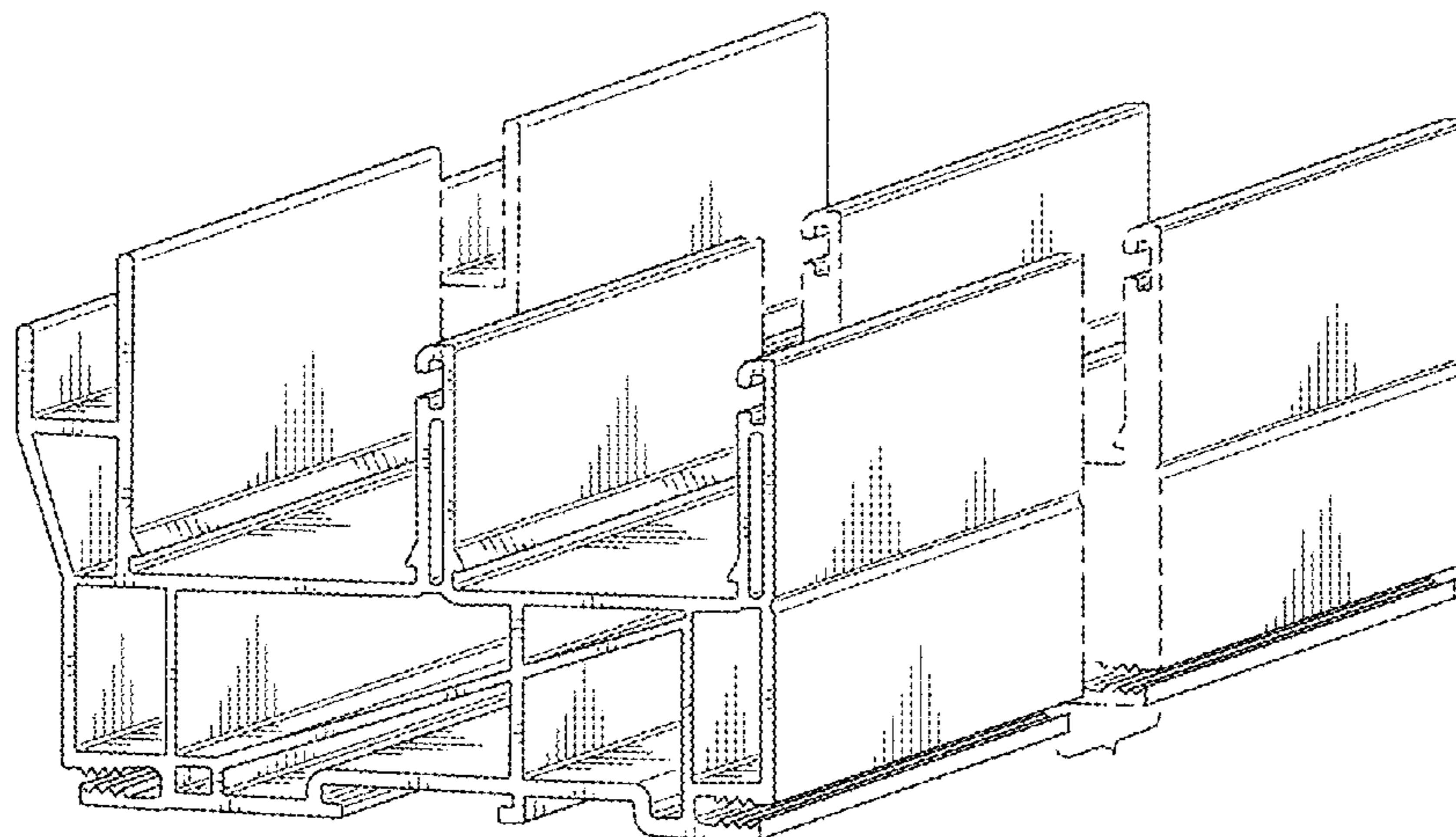
The ornamental design for a window component extrusion,
as shown and described.

DESCRIPTION

FIG. 1 is an isometric view of a window component extrusion according to the present disclosure.
FIG. 2 is a left side view of the window component extrusion of FIG. 1.
FIG. 3 is a right side view of the window component extrusion of FIG. 1.
FIG. 4 is a rear view of the window component extrusion of FIG. 1.
FIG. 5 is a front view of the window component extrusion of FIG. 1.
FIG. 6 is a top view of the window component extrusion of FIG. 1; and,
FIG. 7 is a bottom view of the window component extrusion of FIG. 1.

The window component extrusion is shown with two parallel dash-dot break lines that represent the bounds of the claim. The appearance of any portion of the window component extrusion between the break lines forms no part of the claimed design.

1 Claim, 4 Drawing Sheets



(56)

References Cited

U.S. PATENT DOCUMENTS

D557,821	S	*	12/2007	Willman	D25/124
D572,839	S	*	7/2008	Wickland	D25/124
D572,840	S	*	7/2008	Wickland	D25/124
D576,312	S	*	9/2008	Morton	D25/124
D593,219	S	*	5/2009	Franson	D25/124
D651,727	S	*	1/2012	Wickland	D25/124
D693,022	S	*	11/2013	Wickland	D25/124
D713,977	S	*	9/2014	Jenkins	D25/124
D720,083	S	*	12/2014	Fannan	D25/124
D722,393	S	*	2/2015	Fannan	D25/124
D726,936	S	*	4/2015	Campbell	D25/124
D734,873	S	*	7/2015	Chaney	D25/124
D735,357	S	*	7/2015	Chaney	D25/124
D780,330	S	*	2/2017	Marshall	D25/124
D780,947	S	*	3/2017	Marshall	D25/124
D780,948	S	*	3/2017	Marshall	D25/124
D780,949	S	*	3/2017	Marshall	D25/124
D780,950	S	*	3/2017	Marshall	D25/124
D792,612	S	*	7/2017	Lockbeam	D25/124

* cited by examiner

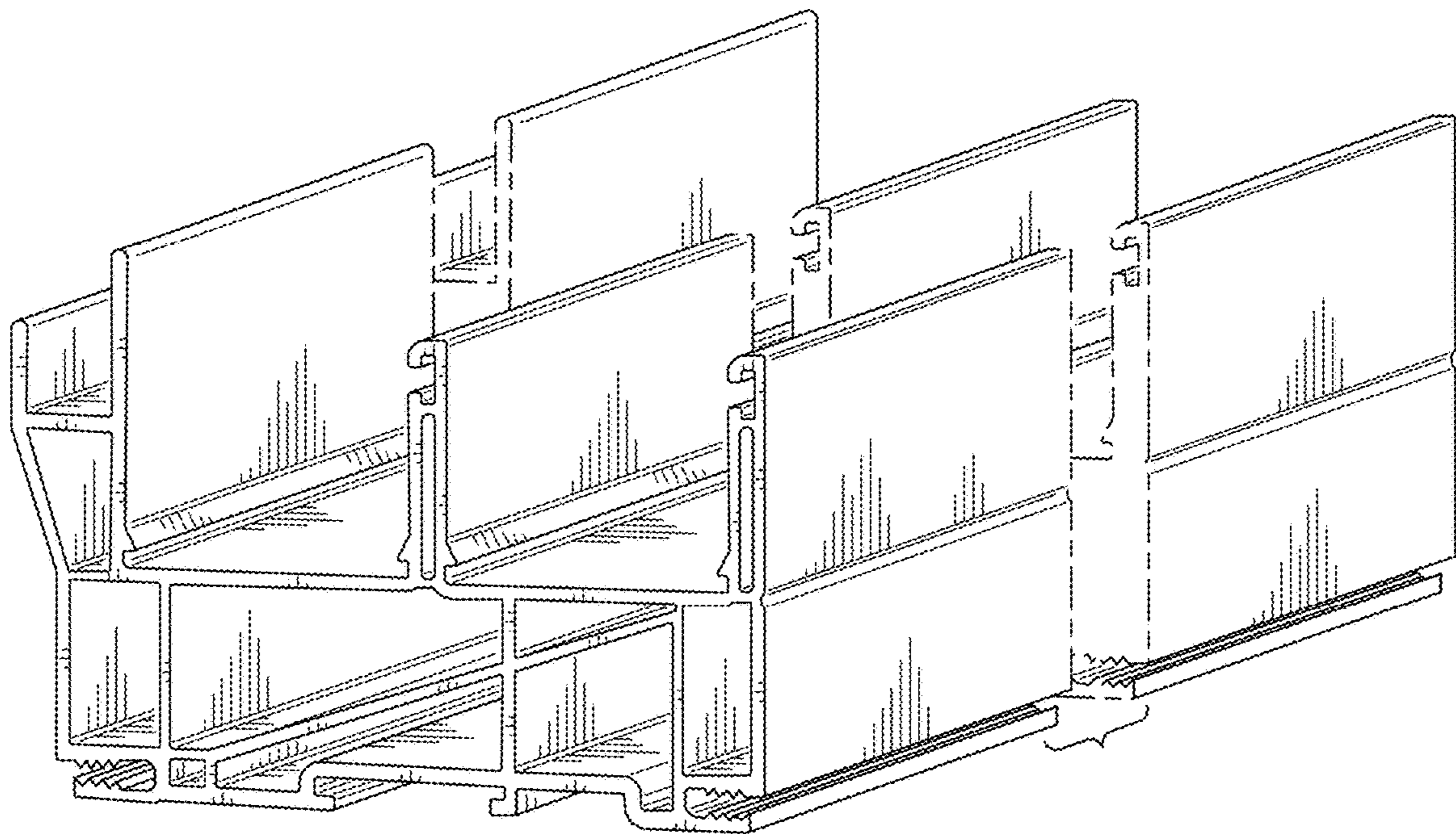


FIG. 1

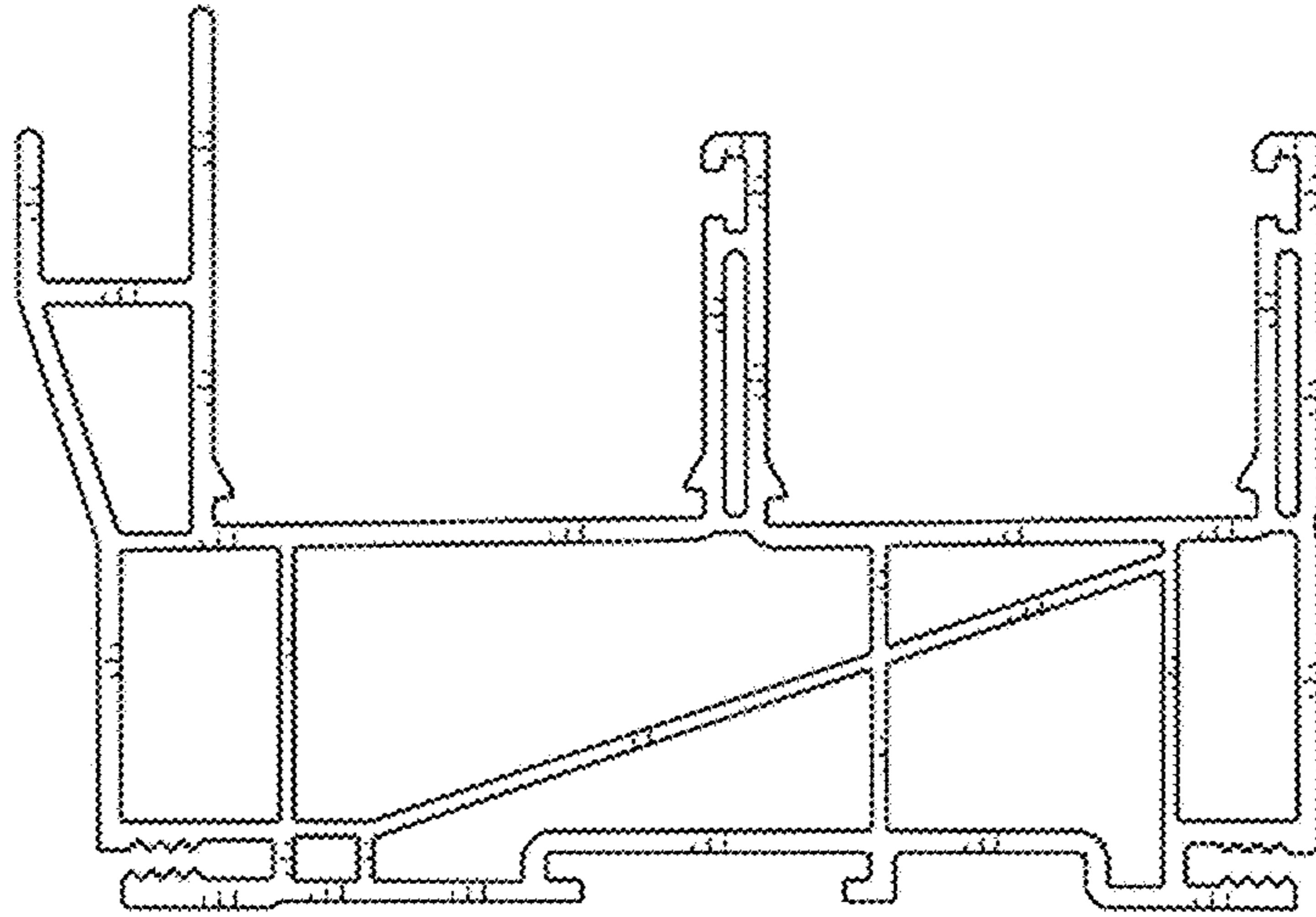


FIG. 2

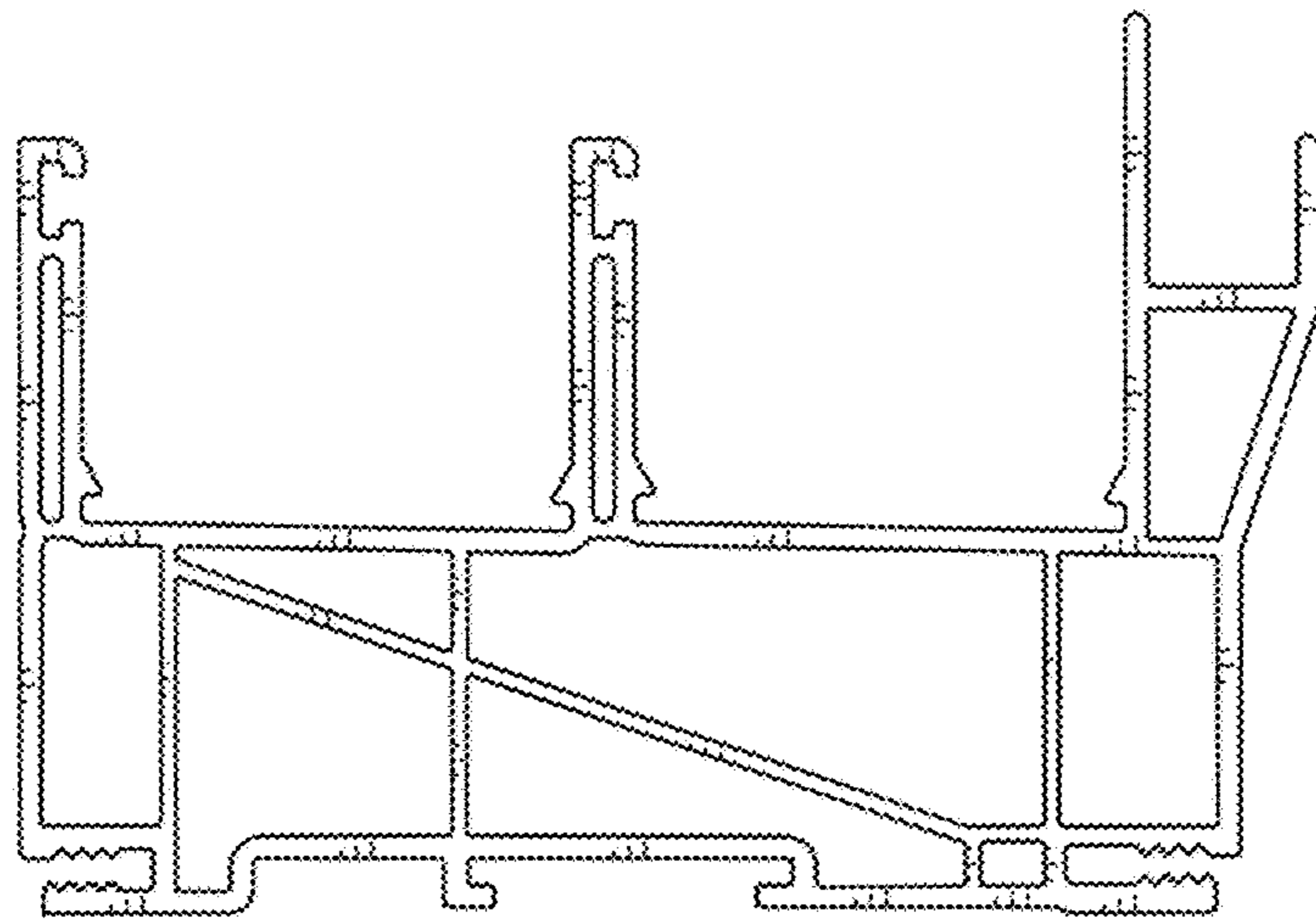


FIG. 3

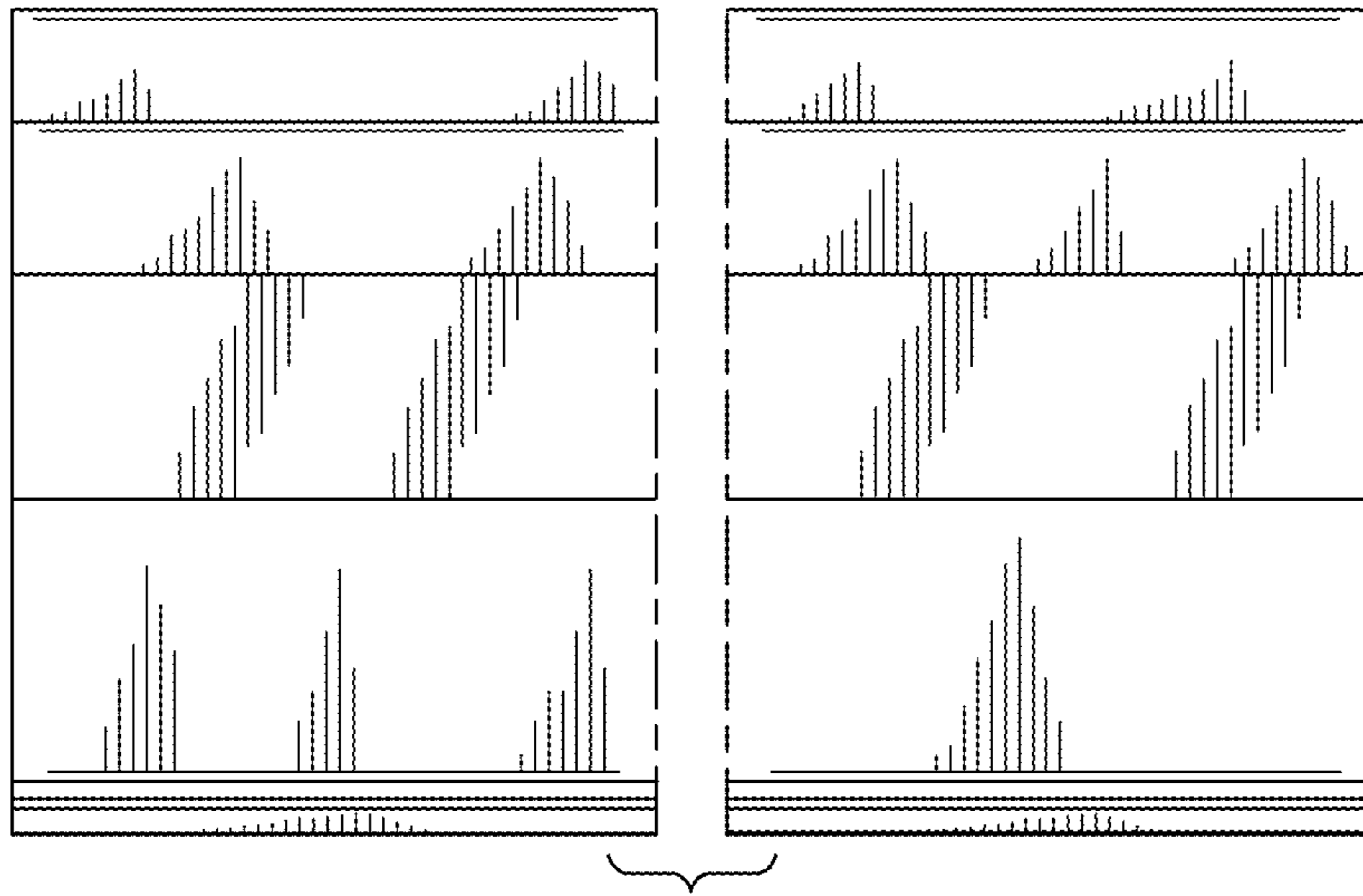


FIG. 4

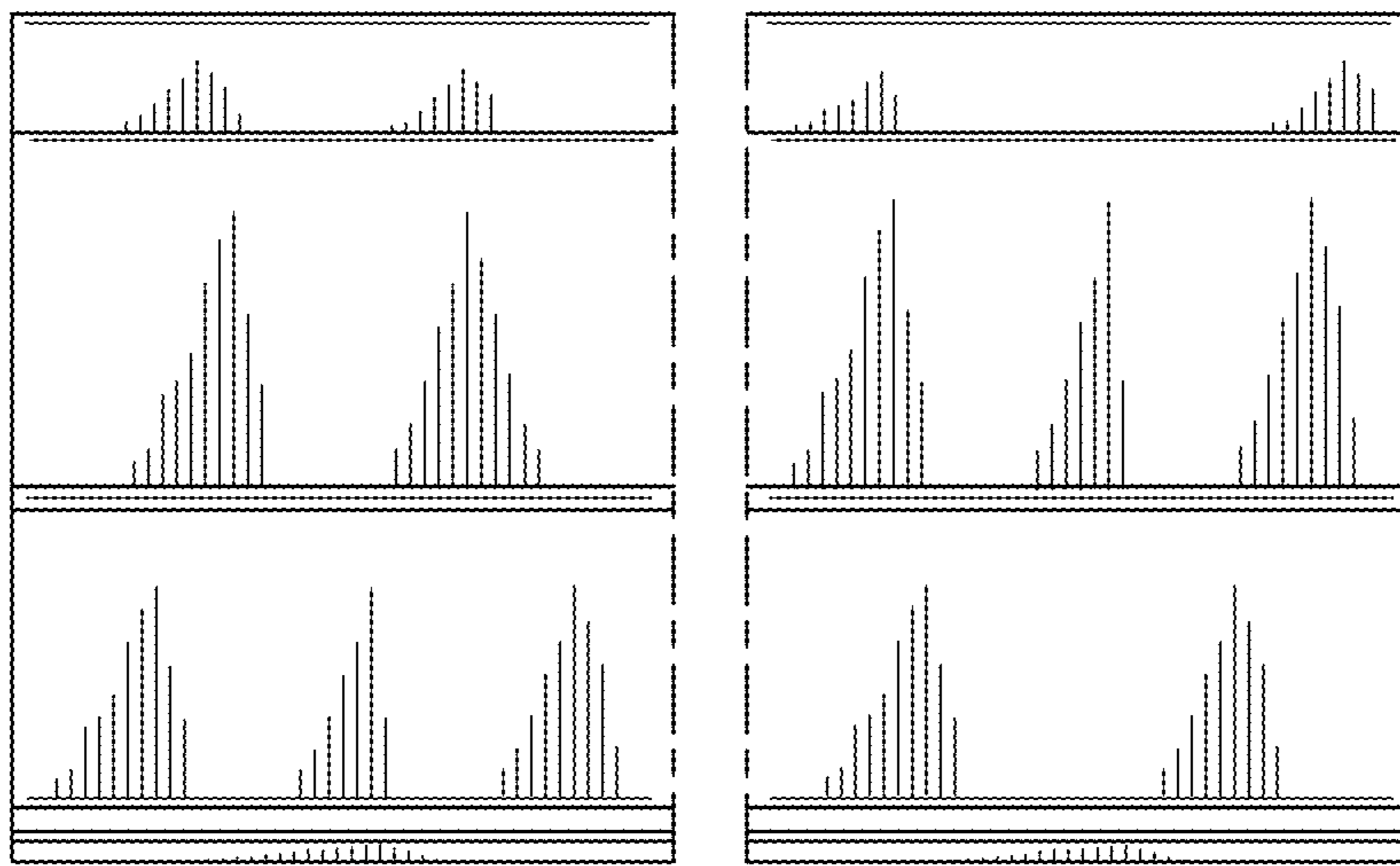


FIG. 5

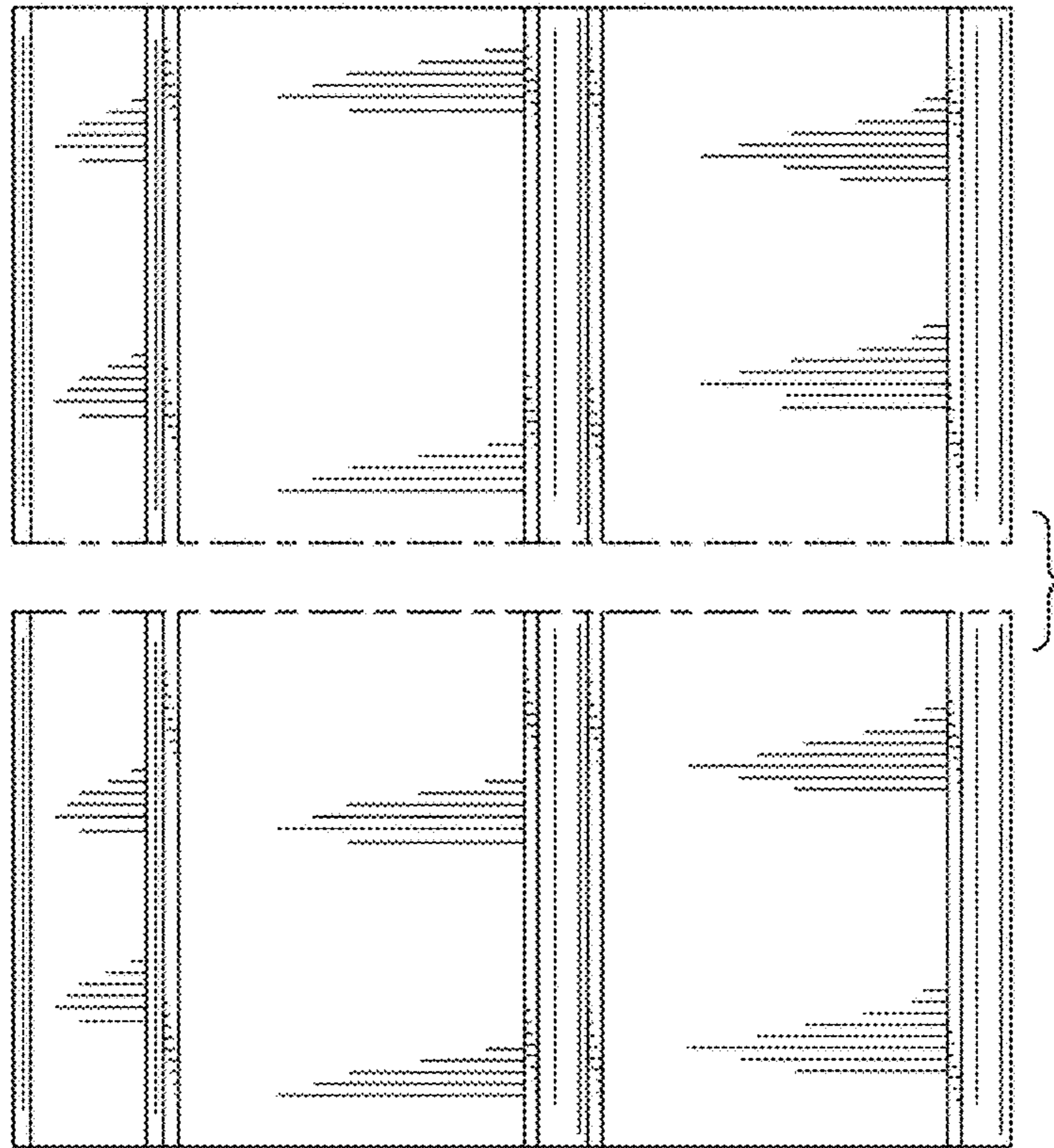


FIG. 6

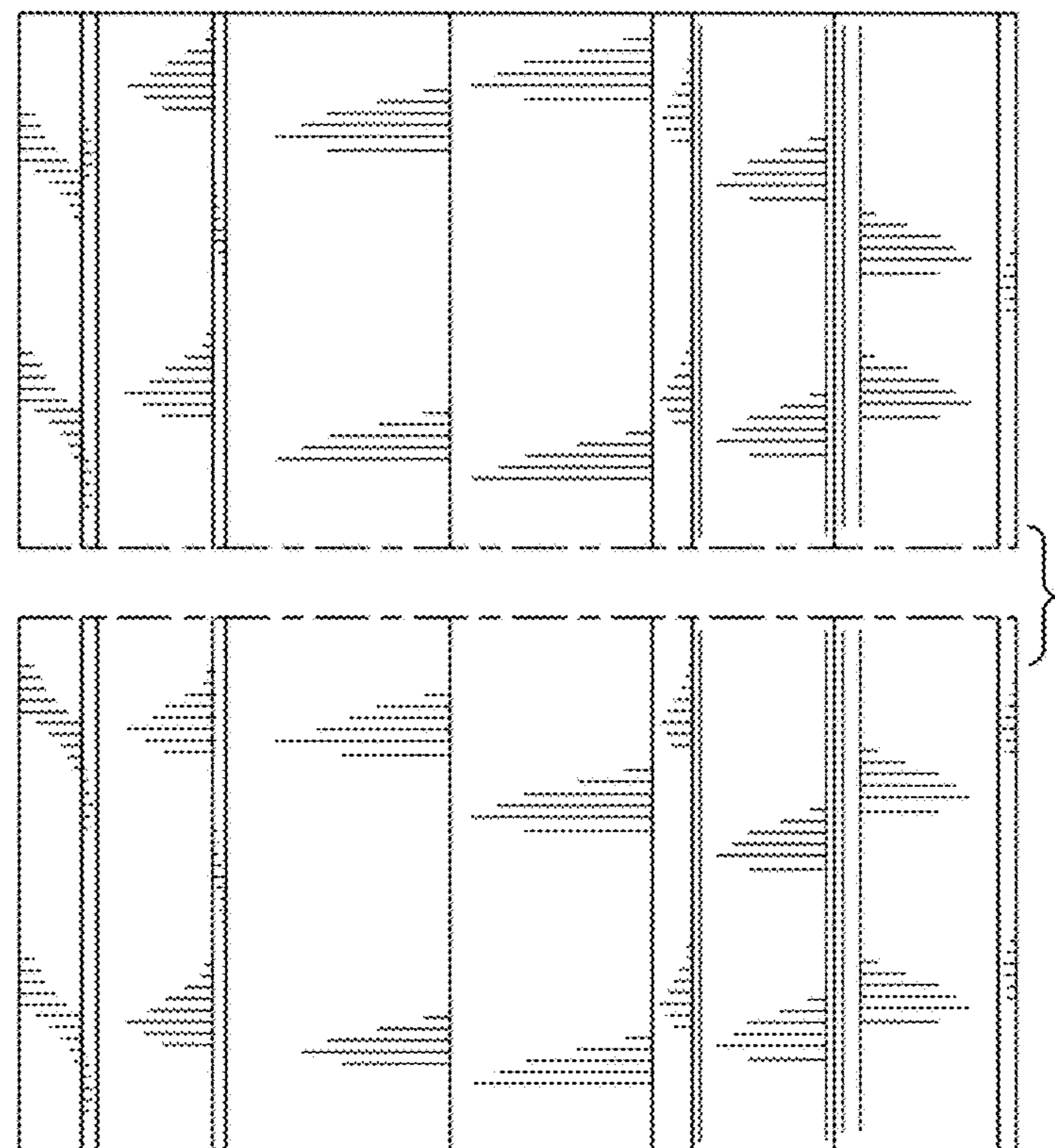


FIG. 7