



US00D835809S

(12) **United States Design Patent**
Marshall

(10) **Patent No.:** **US D835,809 S**

(45) **Date of Patent:** **** Dec. 11, 2018**

(54) **WINDOW COMPONENT EXTRUSION**

(71) Applicant: **Chelsea Building Products, Inc.**,
Oakmont, PA (US)

(72) Inventor: **Phillip Marshall**, Pittsburgh, PA (US)

(73) Assignee: **Chelsea Building Products, Inc.**,
Oakmont, PA (US)

(**) Term: **15 Years**

(21) Appl. No.: **29/628,258**

(22) Filed: **Dec. 4, 2017**

(51) **LOC (11) Cl.** **25-01**

(52) **U.S. Cl.**
USPC **D25/124**

(58) **Field of Classification Search**
USPC D25/60, 119–125
CPC E04F 19/02; E04F 19/022; E04F 19/024;
E04F 19/026; E04F 19/028; E04F 19/04;
E04F 19/0436; E04F 19/06; E04F
2019/0404; E04F 2019/044; E06B 1/04;
E06B 1/06; E06B 1/12; E06B 1/14; E06B
1/16; E06B 1/26; E06B 1/28; E06B 1/30;
E06B 1/36; E06B 1/366; E06B 1/38;
E06B 1/40; E06B 1/52; E06B 1/522;
E06B 1/524; E06B 1/526; E06B 1/528;
E06B 1/70; E06B 1/702; E06B 1/705
See application file for complete search history.

(56) **References Cited**

U.S. PATENT DOCUMENTS

D374,093	S	*	9/1996	Hart	D25/124
D384,754	S	*	10/1997	Goss	D25/124
D391,649	S	*	3/1998	Opielski	D25/124
D394,509	S	*	5/1998	Franson	D25/124
D394,511	S	*	5/1998	Dallaire	D25/124
D402,058	S	*	12/1998	Leonelli	D25/124
D406,661	S	*	3/1999	Morton	D25/124
D454,212	S	*	3/2002	Ballard	D25/124

D461,013	S	*	7/2002	Marshall	D25/124
D487,937	S	*	3/2004	Habeck	D25/124
D499,191	S	*	11/2004	Franson	D25/124
D500,561	S	*	1/2005	Franson	D25/124
D539,931	S	*	4/2007	Wickland	D25/124
D553,262	S	*	10/2007	Wickland	D25/124
D576,295	S	*	9/2008	Morton	D25/124
D576,308	S	*	9/2008	Morton	D25/124
D576,745	S	*	9/2008	Fannan	D25/124

(Continued)

Primary Examiner — Cynthia Ramirez

Assistant Examiner — L. Martinez

(74) *Attorney, Agent, or Firm* — Vorys, Sater, Seymour
and Pease LLP

(57) **CLAIM**

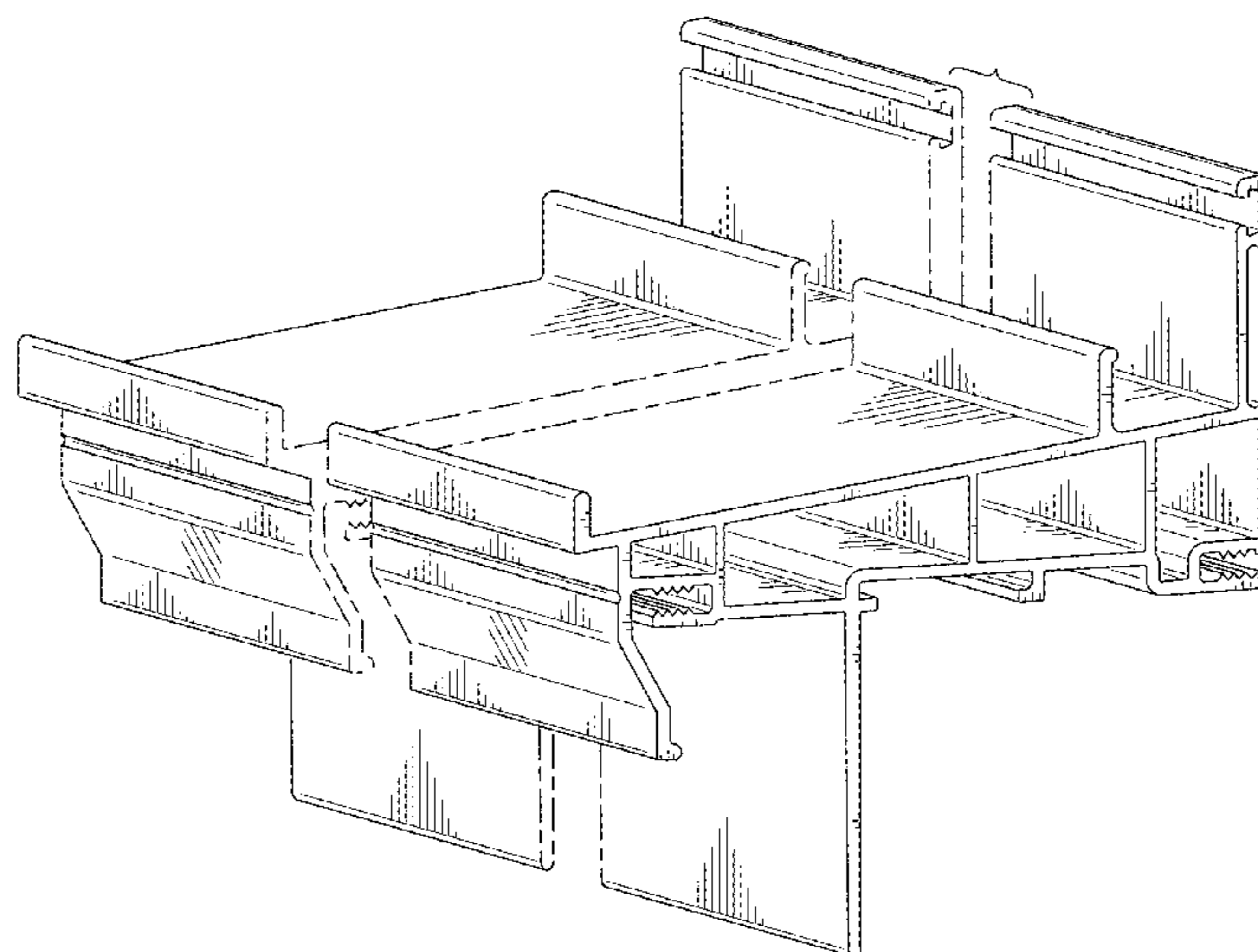
The ornamental design for a window component extrusion,
as shown and described.

DESCRIPTION

FIG. 1 is an isometric view of a window component extrusion according to the present disclosure. FIG. 2 is a left side view of the window component extrusion of FIG. 1. FIG. 3 is a right side view of the window component extrusion of FIG. 1. FIG. 4 is a rear view of the window component extrusion of FIG. 1. FIG. 5 is a front view of the window component extrusion of FIG. 1. FIG. 6 is a top view of the window component extrusion of FIG. 1; and, FIG. 7 is a bottom view of the window component extrusion of FIG. 1.

The window component extrusion is shown with two parallel dash-dot break lines that represent the bounds of the claim. The appearance of any portion of the window component extrusion between the break lines forms no part of the claimed design.

1 Claim, 4 Drawing Sheets



(56)

References Cited

U.S. PATENT DOCUMENTS

D583,077 S	*	12/2008	Campbell	D25/124
D591,434 S	*	4/2009	Campbell	D25/124
D592,763 S	*	5/2009	Campbell	D25/124
D594,567 S	*	6/2009	Campbell	D25/124
D594,570 S	*	6/2009	Campbell	D25/124
D597,219 S	*	7/2009	Campbell	D25/124
D597,221 S	*	7/2009	Campbell	D25/124
D600,361 S	*	9/2009	Campbell	D25/124
D726,938 S	*	4/2015	Campbell	D25/124
D732,202 S	*	6/2015	Chaney	D25/124
D767,788 S	*	9/2016	Chaney	D25/124
D780,331 S	*	2/2017	Marshall	D25/124
D780,946 S	*	3/2017	Marshall	D25/124

* cited by examiner

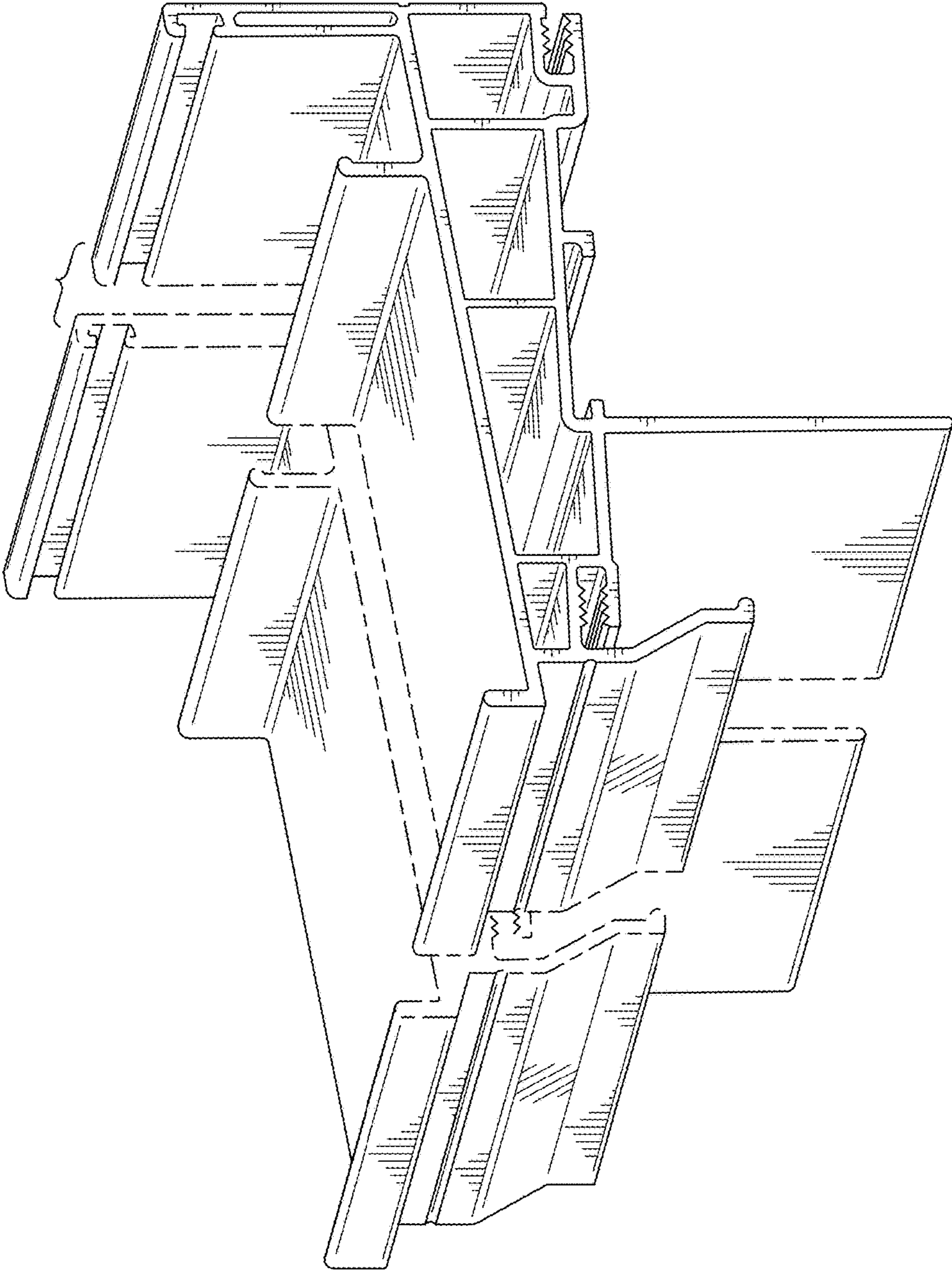


FIG. 1

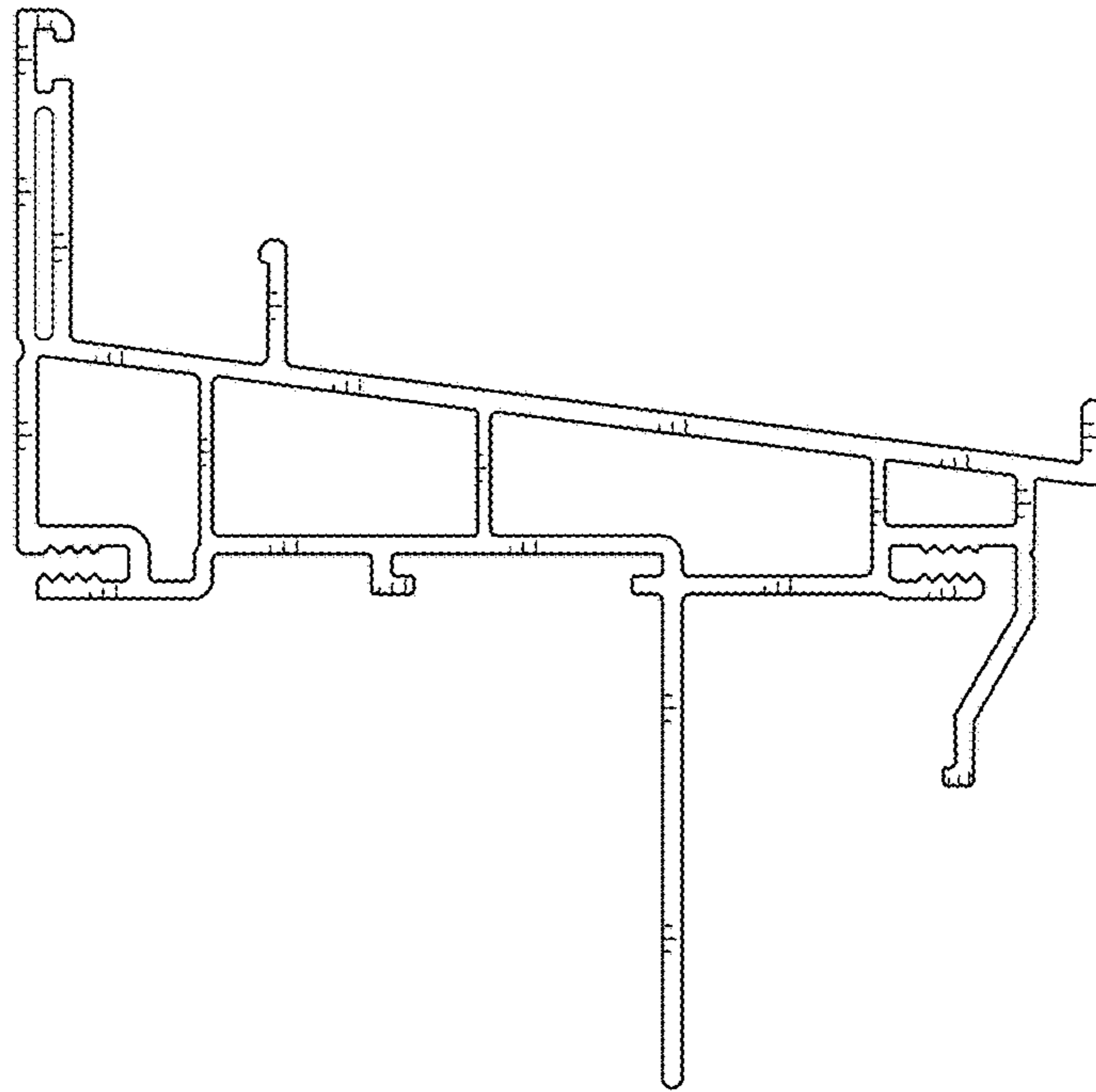


FIG. 2

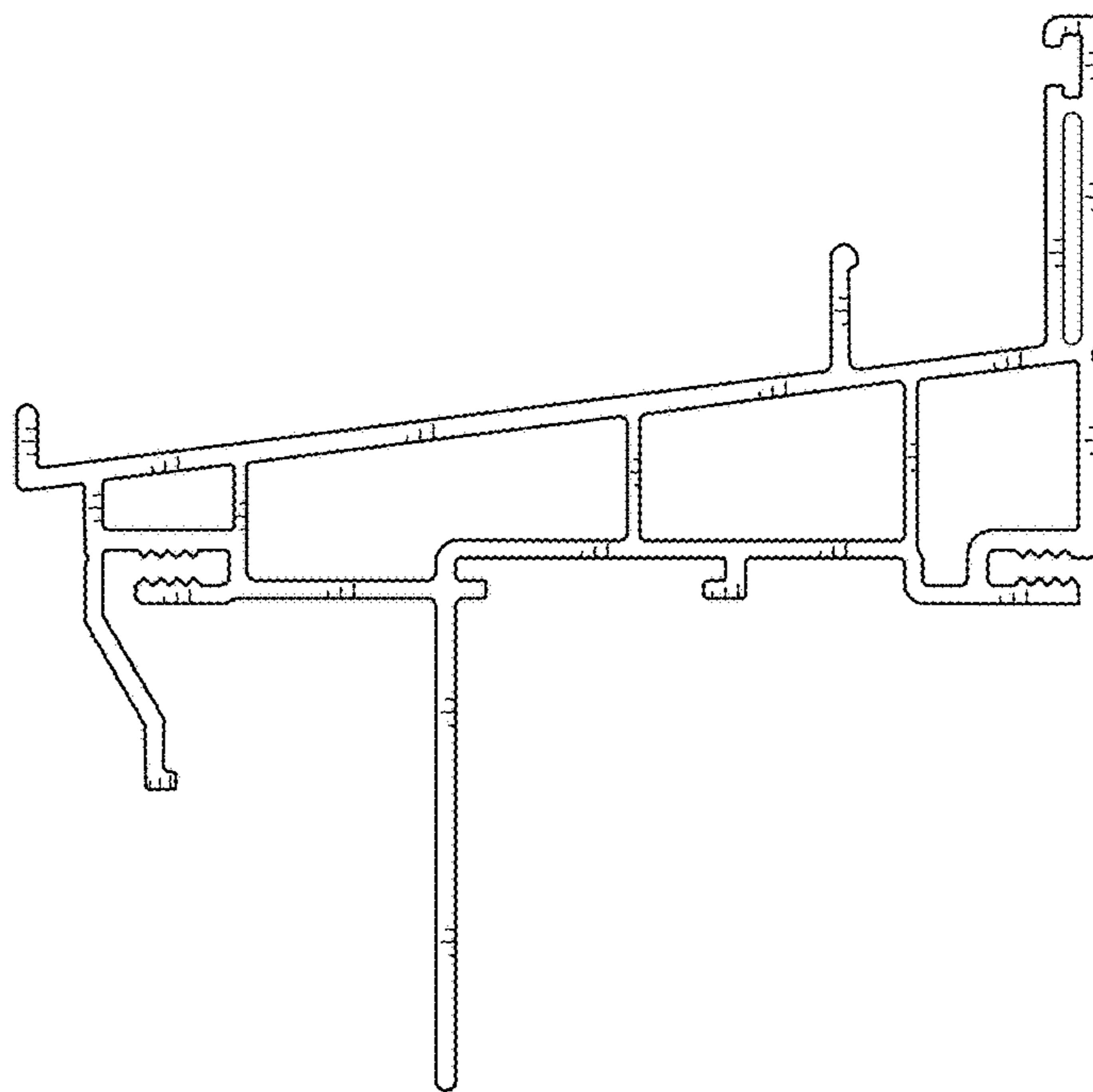


FIG. 3

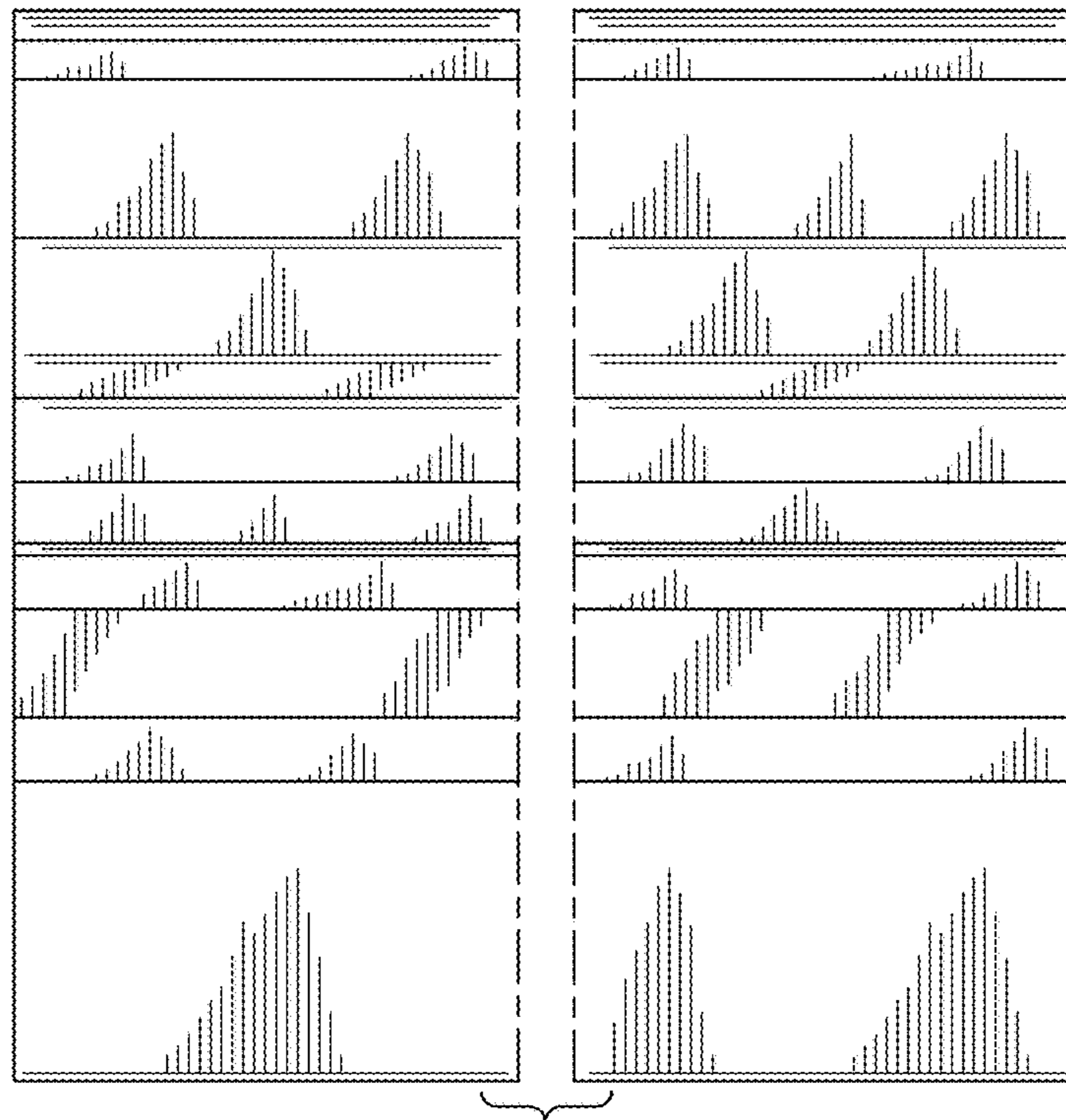


FIG. 4

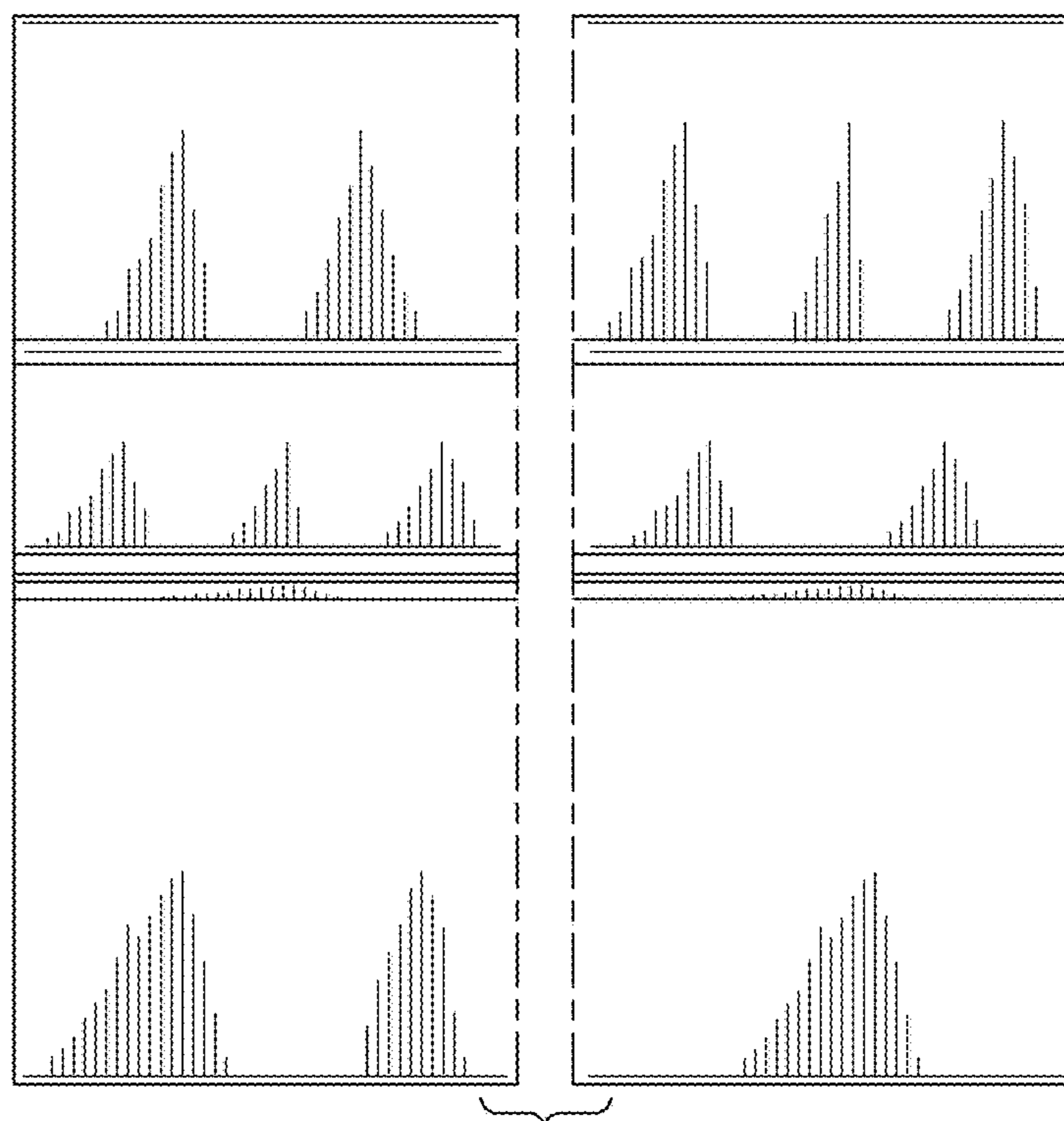


FIG. 5

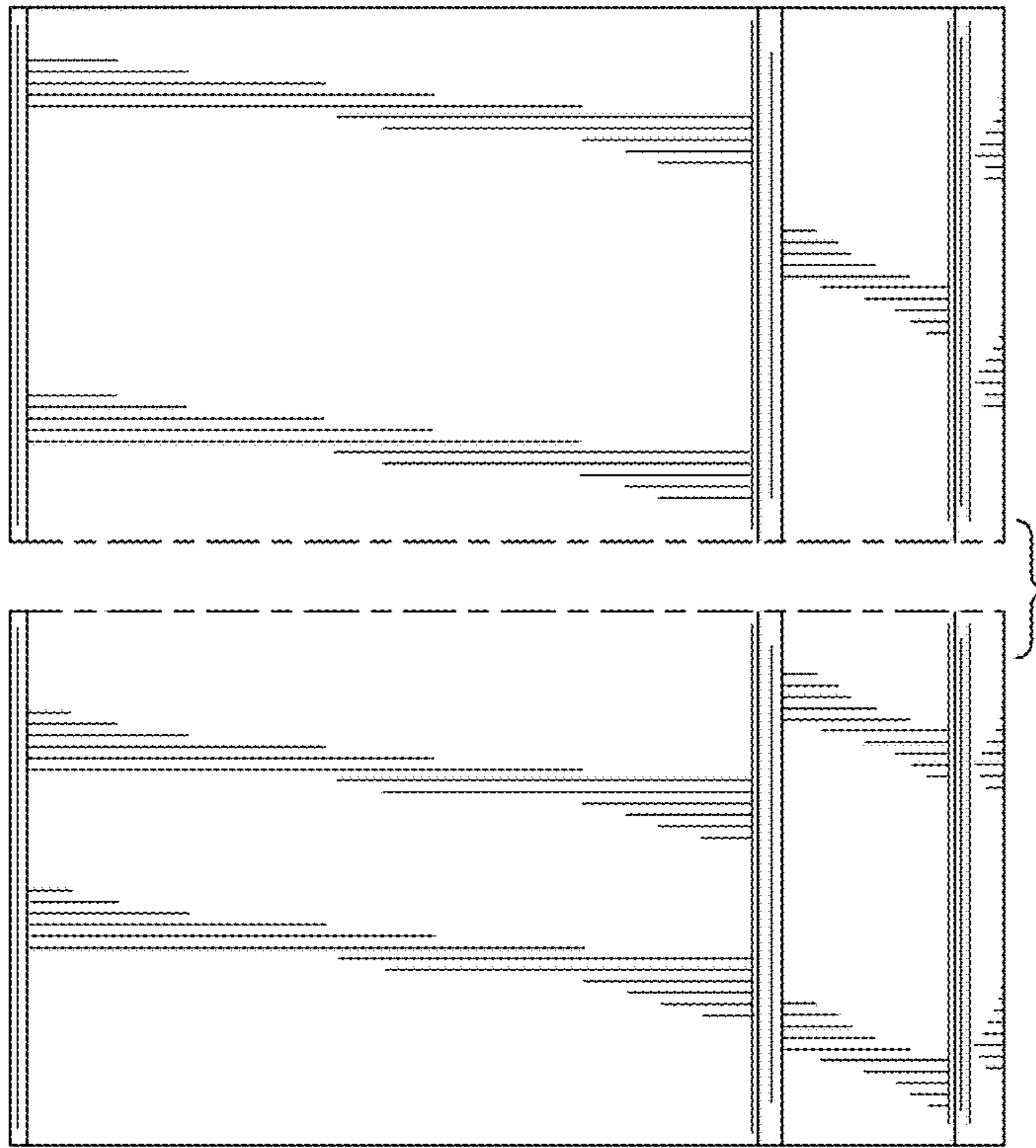


FIG. 6

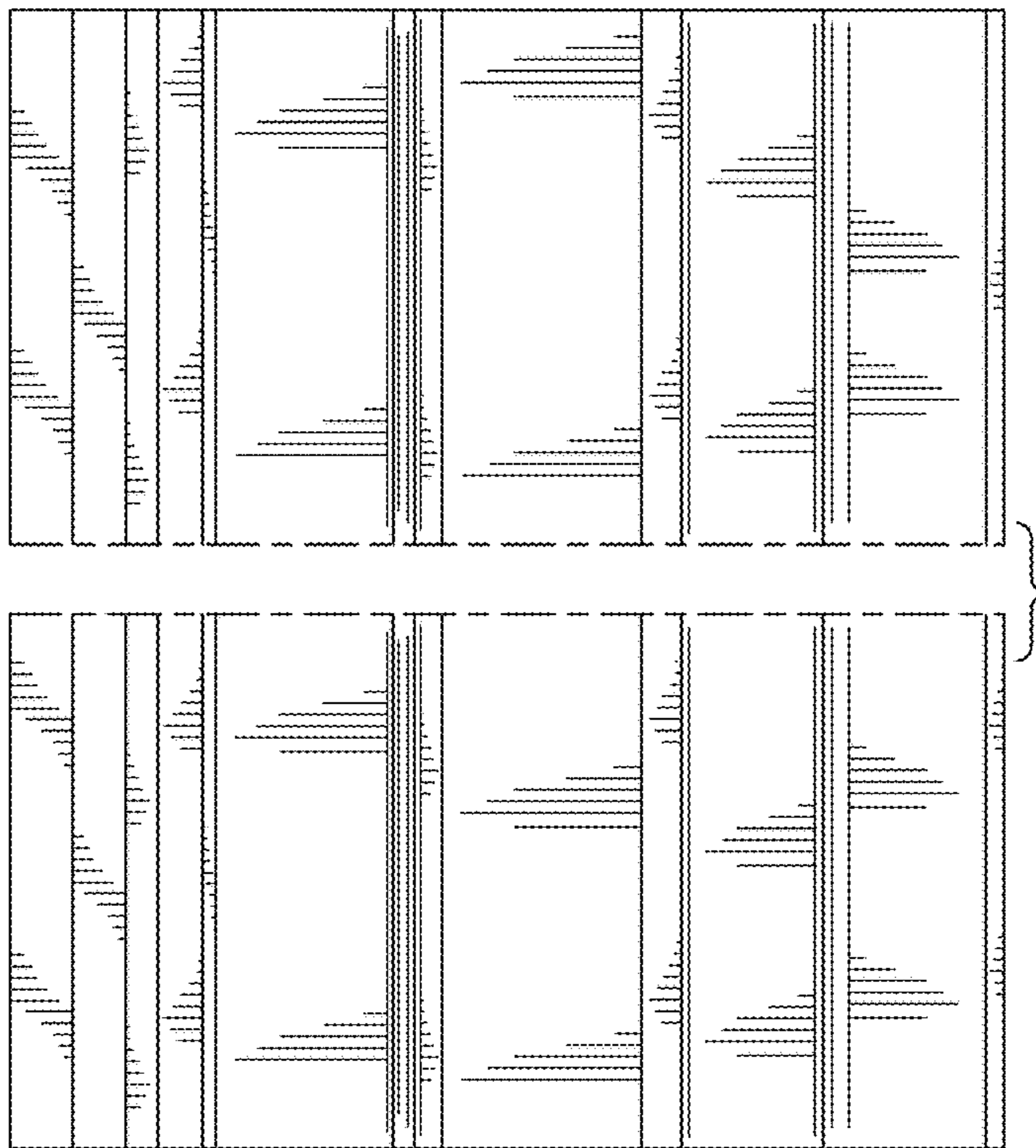


FIG. 7