



US00D835807S

(12) **United States Design Patent** (10) **Patent No.:** **US D835,807 S**  
**Lentine et al.** (45) **Date of Patent:** **\*\* Dec. 11, 2018**

- (54) **LADDER TOP** 5,267,632 A 12/1993 Mintz  
5,573,081 A \* 11/1996 Bartnicki ..... E06C 7/14  
182/129
- (71) Applicants: **Tek Lentine**, Greenville, PA (US);  
**Joseph C. Dangrow**, Mercer, PA (US);  
**Daniel C. Mora**, Transfer, PA (US);  
**Robert D. Beggs**, Stoneboro, PA (US);  
**Adam C. Fields**, Cochranon, PA (US);  
**Brent Sedlacek**, Elmhurst, IL (US)  
5,622,238 A 4/1997 Farmer  
D404,503 S 1/1999 Bell et al.  
D422,717 S \* 4/2000 Bartnicki ..... D25/129  
D447,818 S 9/2001 Weber  
6,691,825 B2 2/2004 Haig  
6,729,441 B1 5/2004 Nahlen  
6,823,998 B2 11/2004 Fabregas  
D530,025 S \* 10/2006 Patton ..... D25/68  
D549,356 S 8/2007 Gibson  
D597,685 S \* 8/2009 Gibson ..... D25/68  
7,753,170 B1 7/2010 Gibson  
(Continued)
- (72) Inventors: **Tek Lentine**, Greenville, PA (US);  
**Joseph C. Dangrow**, Mercer, PA (US);  
**Daniel C. Mora**, Transfer, PA (US);  
**Robert D. Beggs**, Stoneboro, PA (US);  
**Adam C. Fields**, Cochranon, PA (US);  
**Brent Sedlacek**, Elmhurst, IL (US)

FOREIGN PATENT DOCUMENTS

- (\*\*) Term: **15 Years**
- (21) Appl. No.: **29/589,376**
- (22) Filed: **Dec. 30, 2016**
- (51) **LOC (11) Cl.** ..... **25-04**
- (52) **U.S. Cl.**  
USPC ..... **D25/69**
- (58) **Field of Classification Search**  
USPC ..... D25/62-65, 68, 69; 182/129, 107, 173,  
182/230, 120, 228.2, 121, 228.1, 198,  
182/215, 104, 195  
CPC . E06C 7/14; E06C 7/482; E06C 7/182; E06C  
1/387; E06C 7/00; E06C 7/50; E06C  
7/081; E06C 7/423; E06C 1/125; E06C  
1/22  
See application file for complete search history.

GB 2207453 A 2/1989  
*Primary Examiner* — Cynthia Ramirez  
*Assistant Examiner* — Gino Colan

(57) **CLAIM**

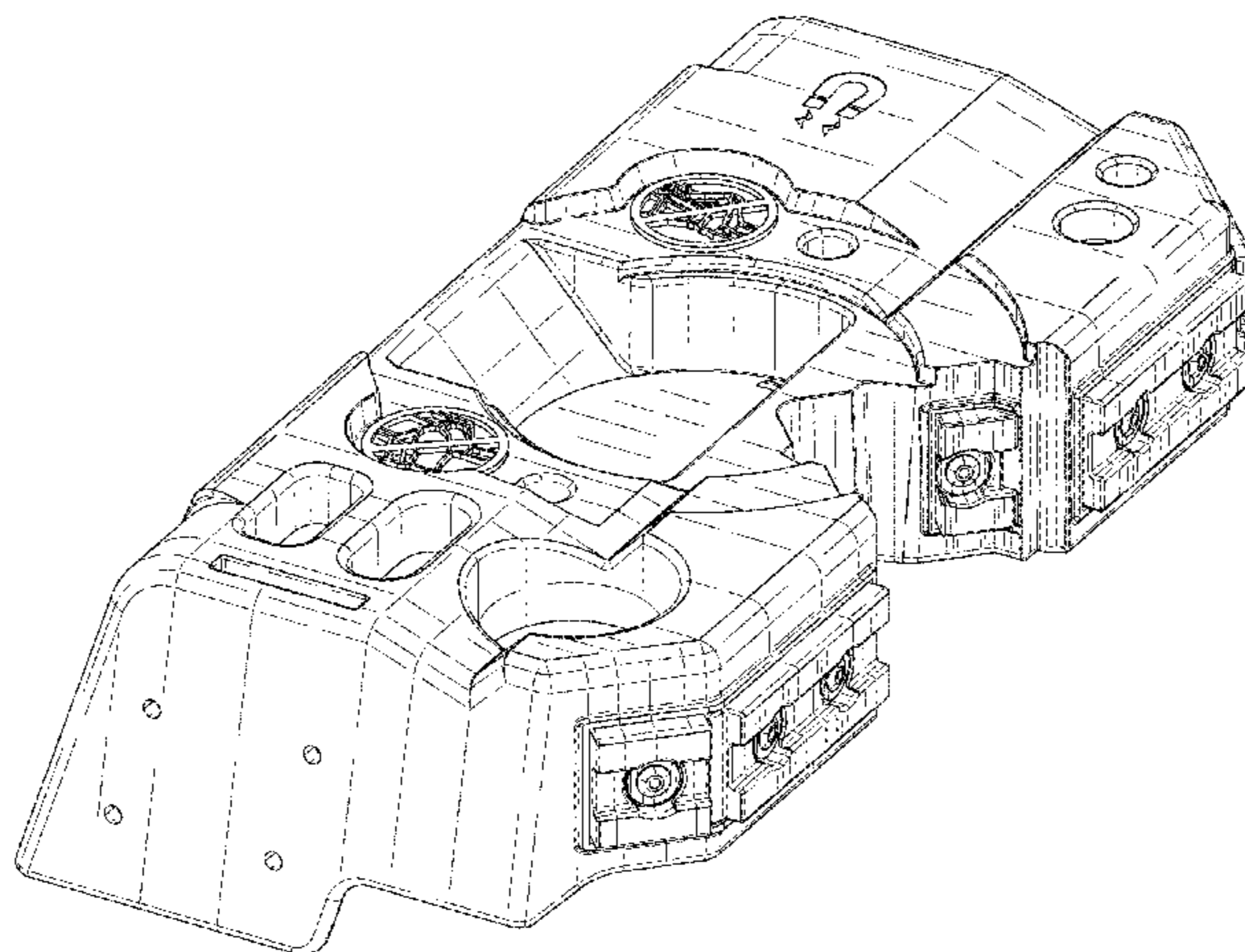
We claim the ornamental design for the ladder top, as shown and described.

**DESCRIPTION**

FIG. 1 is a front perspective view of a ladder top showing our new design;  
FIG. 2 is a top plan view thereof;  
FIG. 3 is a front elevational view thereof;  
FIG. 4 is a rear elevational view thereof;  
FIG. 5 is a right side elevational view thereof, shown in a larger scale;  
FIG. 6 is a left side elevational view thereof, shown in a larger scale; and,  
FIG. 7 is a bottom plan view thereof.  
The broken lines shown in the figures are included for the purpose of illustrating portions of the ladder top and form no part of the claimed design.

**1 Claim, 5 Drawing Sheets**

- (56) **References Cited**
- U.S. PATENT DOCUMENTS
- 2,808,975 A 10/1957 Palmquist  
2,870,948 A 1/1959 Lundgren  
3,715,012 A 2/1973 Perry  
4,363,378 A 12/1982 Williams et al.  
5,259,480 A \* 11/1993 Bartnicki ..... E06C 7/14  
182/129



(56)

**References Cited**

U.S. PATENT DOCUMENTS

D627,487 S *	11/2010	Lopez	.....	D25/68
9,714,541 B2 *	7/2017	Astor	.....	E06C 7/14
2007/0181366 A1 *	8/2007	Astor	.....	E06C 7/14
				182/129
2007/0181367 A1 *	8/2007	Astor	.....	E06C 7/14
				182/129
2008/0017447 A1	1/2008	Sheridan et al.		
2008/0083583 A1	4/2008	Gibson		
2009/0283361 A1	11/2009	Gibson		
2010/0200331 A1	8/2010	Hager		

\* cited by examiner

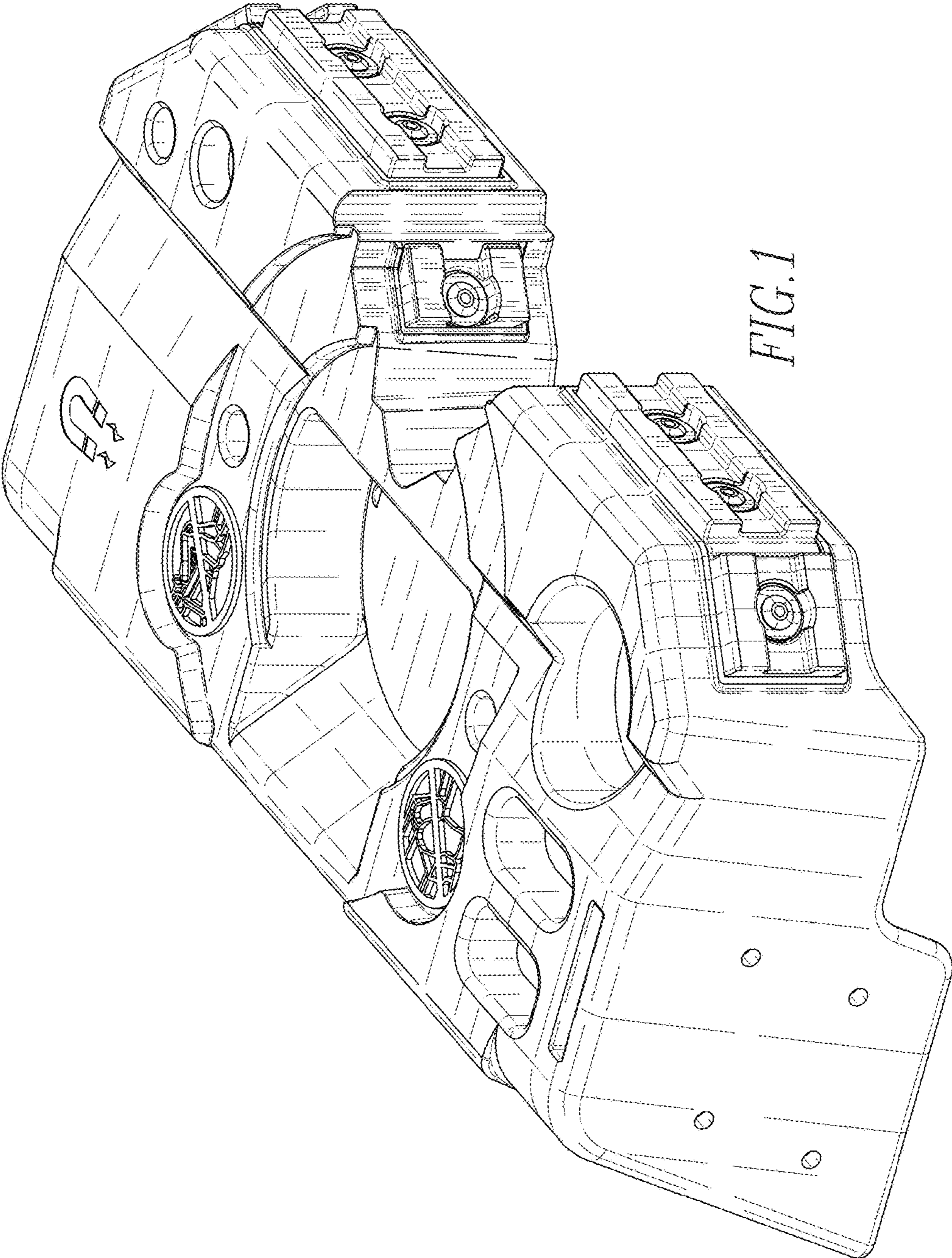


FIG. 1

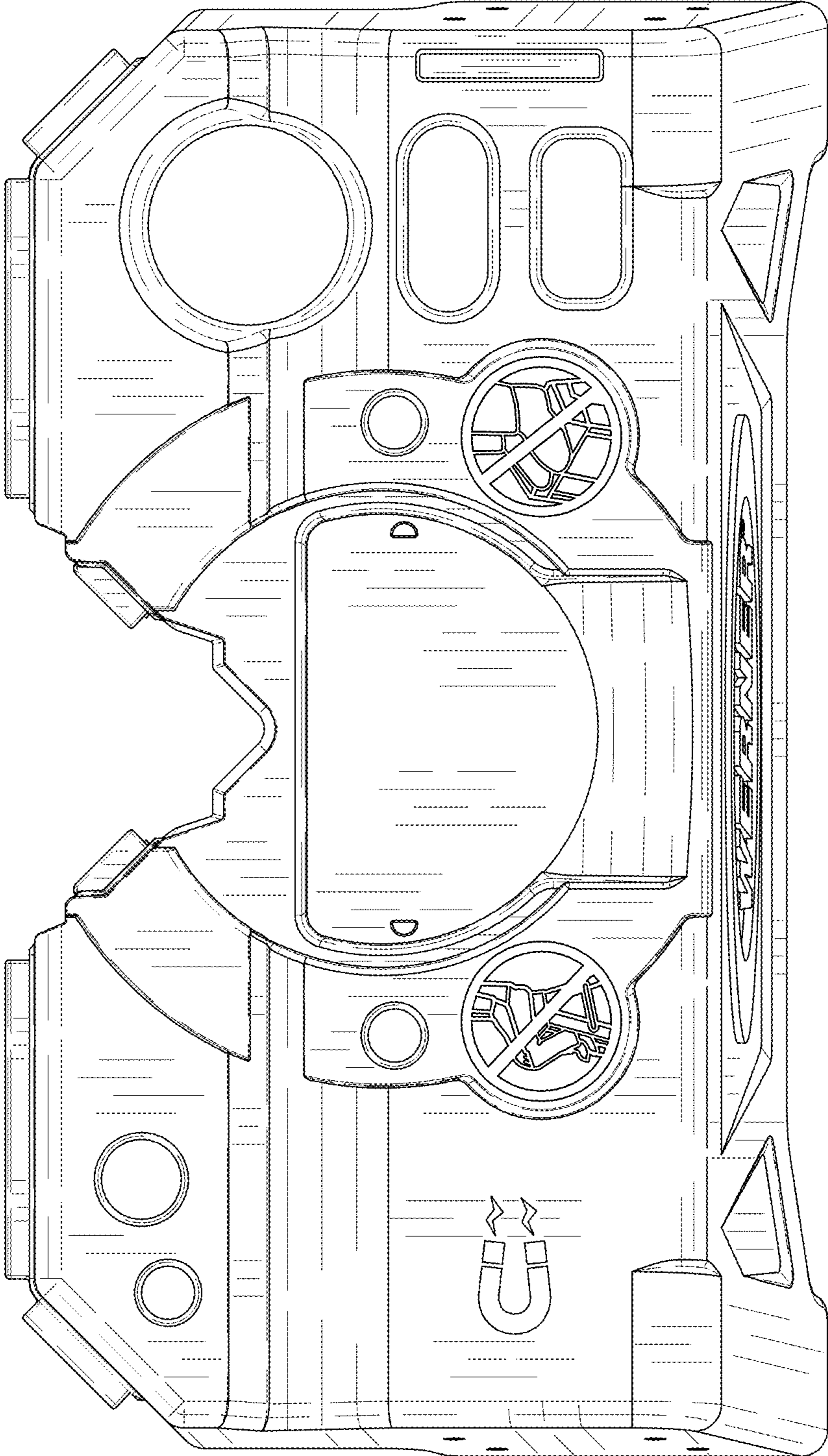


FIG. 2

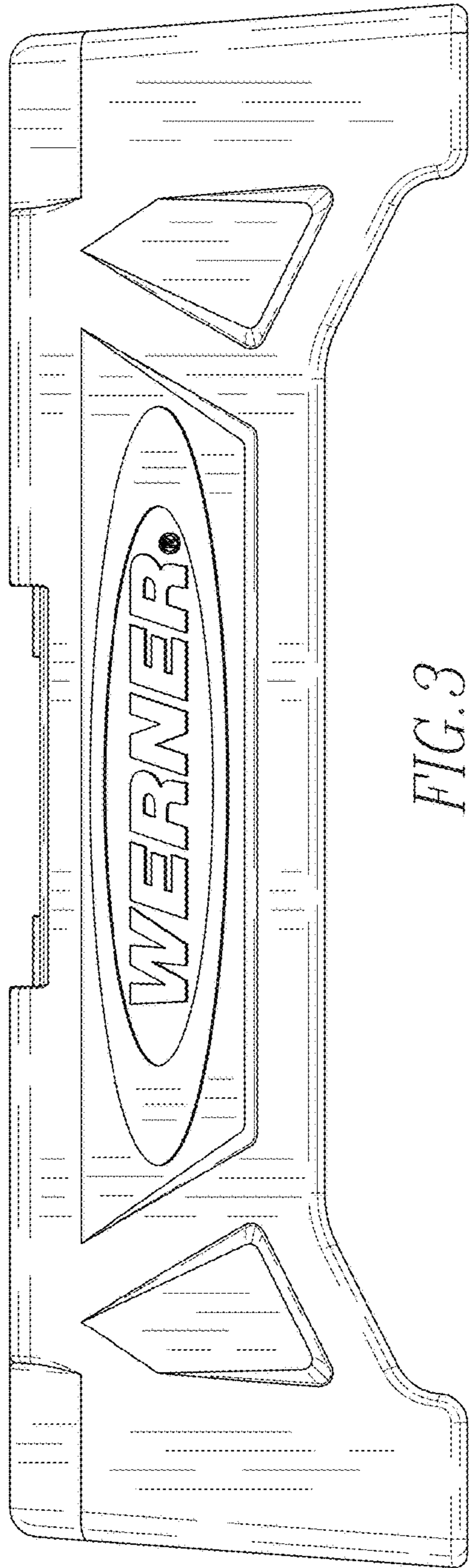


FIG. 3

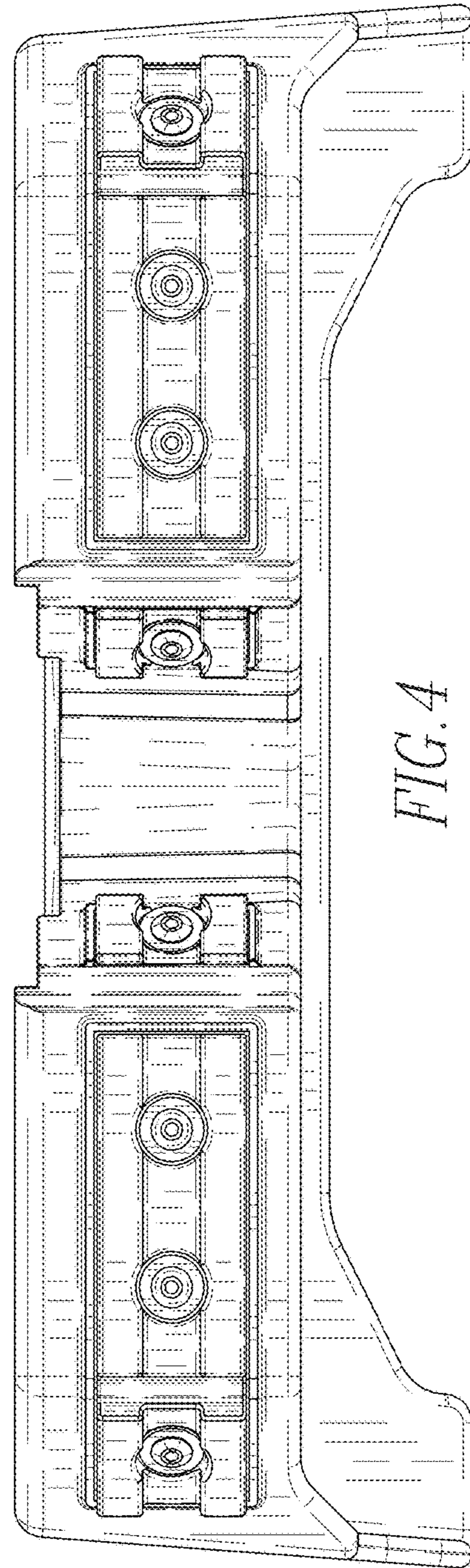
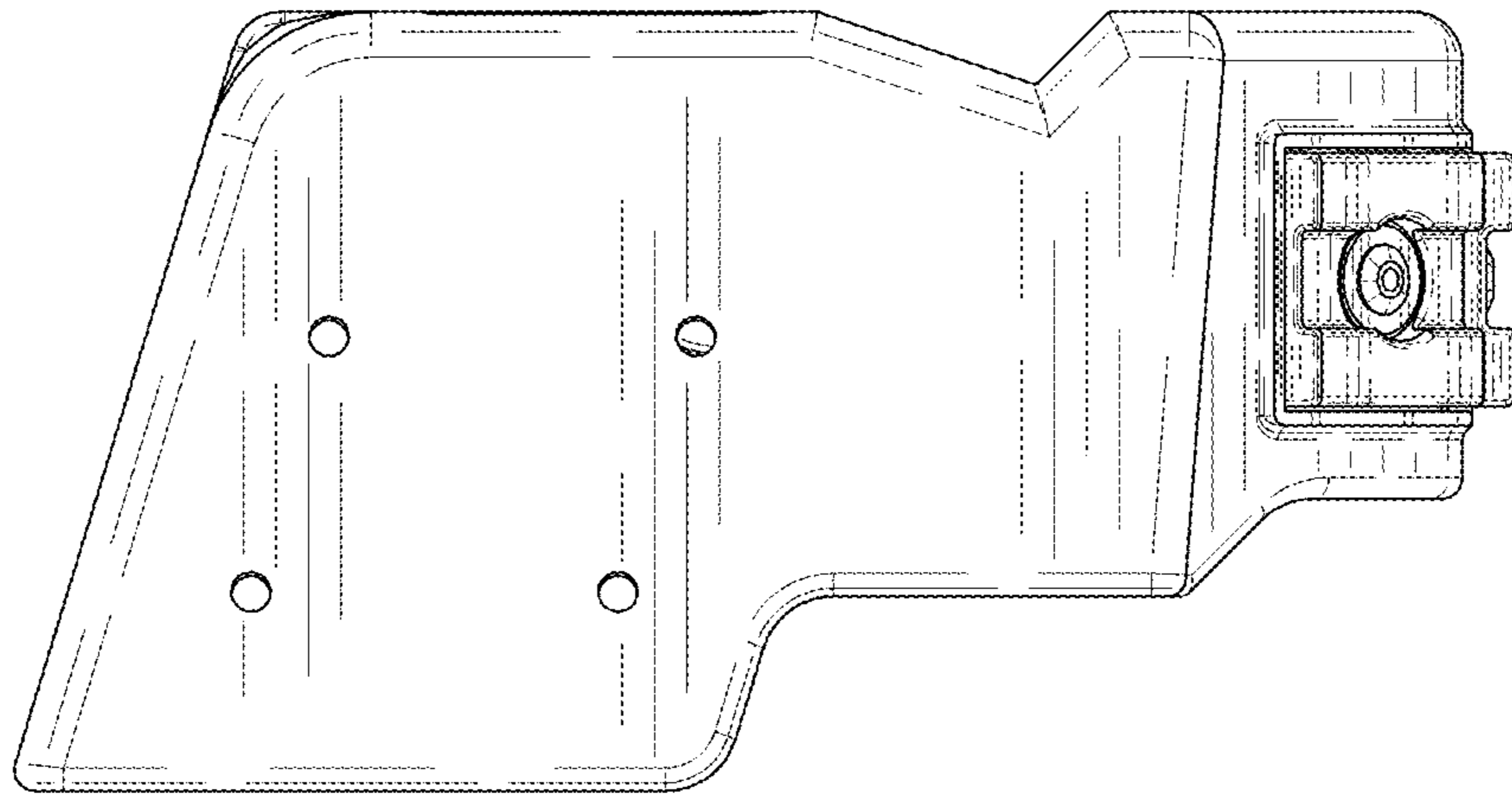
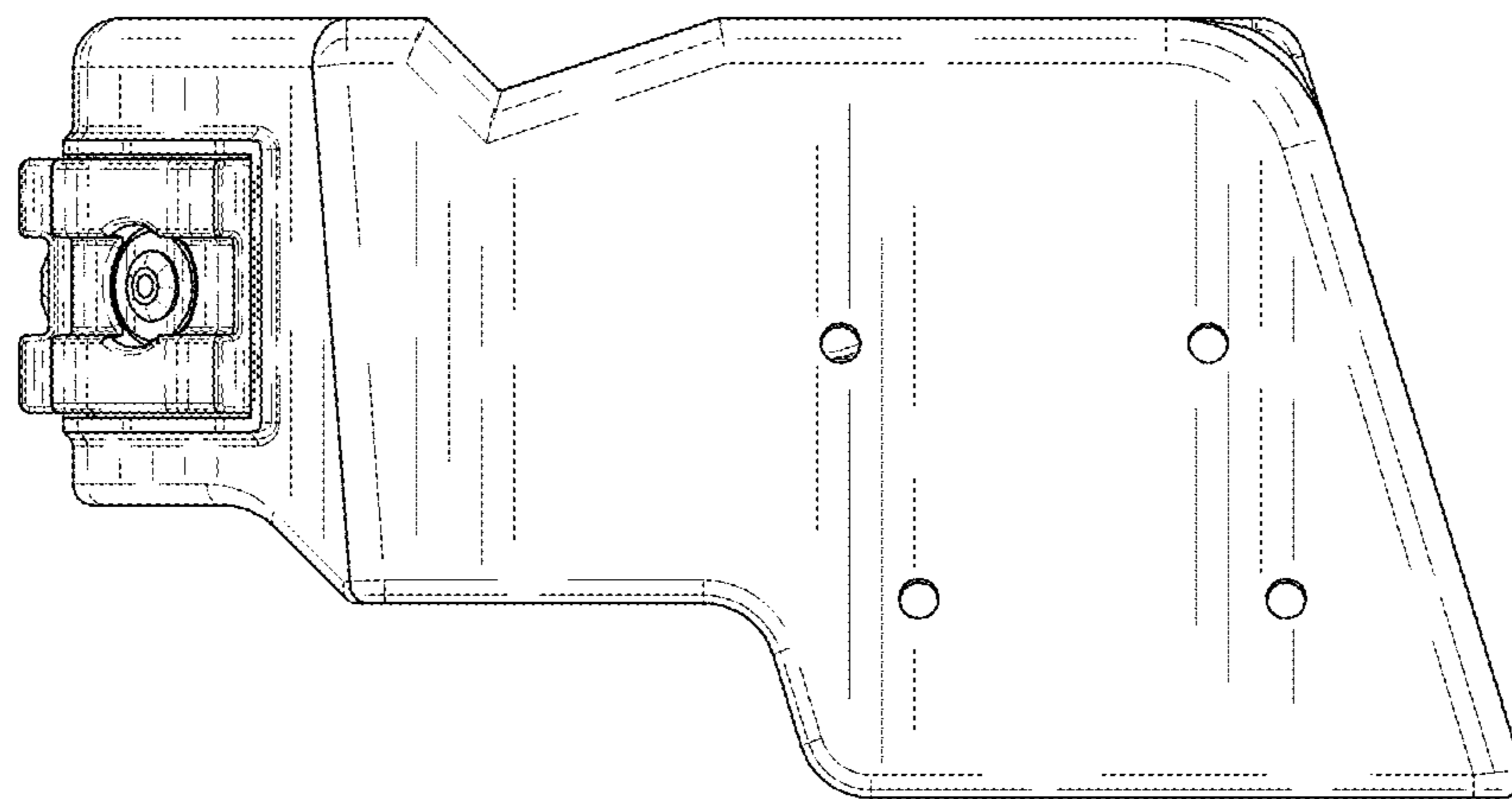


FIG. 4



*FIG. 5*



*FIG. 6*

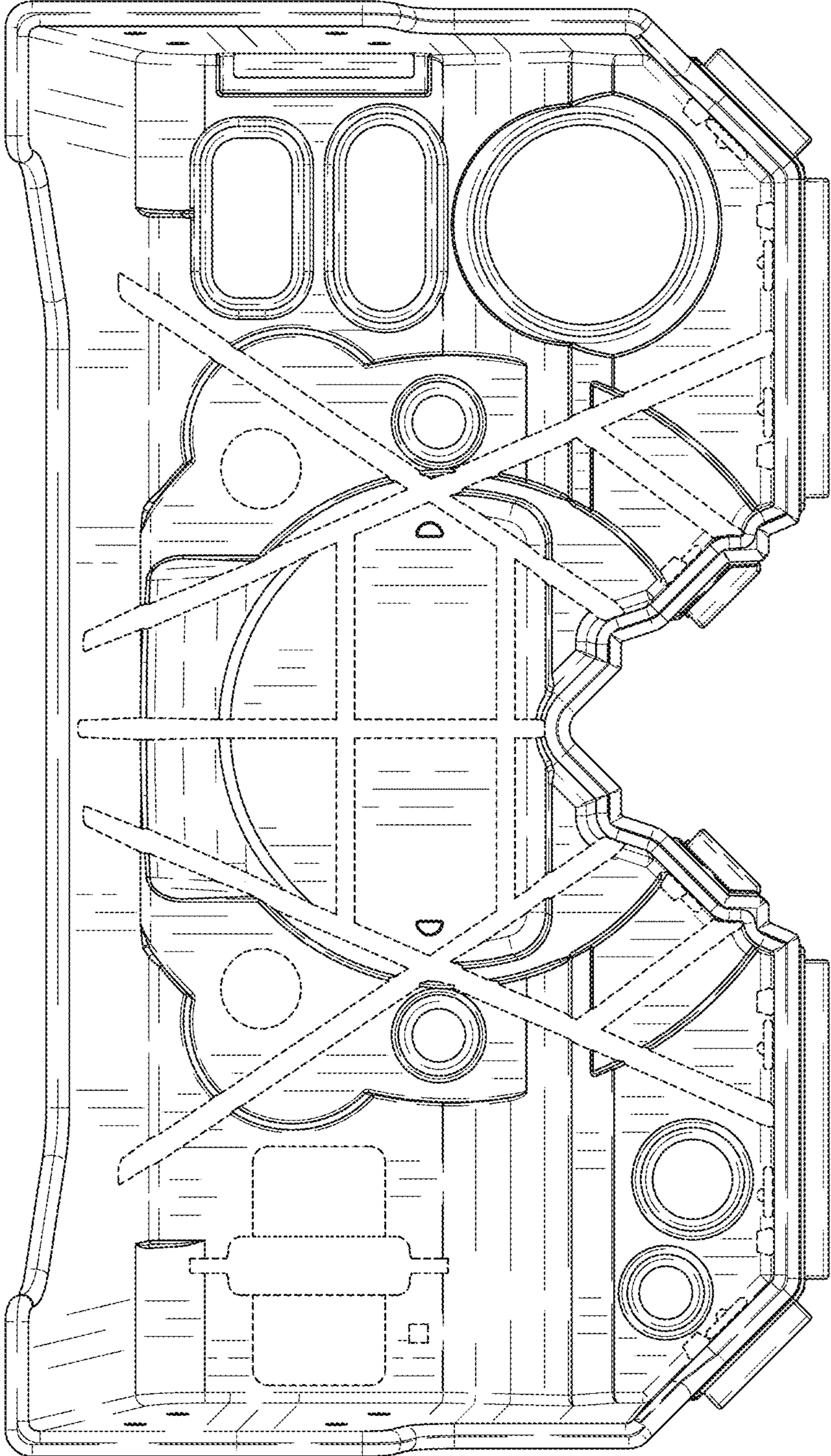


FIG. 7