



US00D835796S

(12) **United States Design Patent** (10) **Patent No.:** **US D835,796 S**
Sedic (45) **Date of Patent:** **** Dec. 11, 2018**

(54) **STIMULATION DEVICE**

(71) Applicant: **Filip Sedic**, Shanghai (CN)

(72) Inventor: **Filip Sedic**, Shanghai (CN)

(**) Term: **15 Years**

(21) Appl. No.: **29/610,485**

(22) Filed: **Jul. 12, 2017**

(51) **LOC (11) Cl.** **28-03**

(52) **U.S. Cl.**

USPC **D24/215**

(58) **Field of Classification Search**

USPC .. 601/15, 18, 19, 27, 28-32, 46, 47, 48, 52,
601/99, 112, 113, 118, 135, 137, DIG. 12,
601/DIG. 14, DIG. 15, DIG. 16, DIG. 17;
D24/133, 200, 211, 212, 213, 214, 215;
D30/160; 600/38, 39; D9/723, 726, 727

CPC A61H 19/44; A61H 2201/0153; A61H
19/34; A61H 19/50; A61H 19/40

See application file for complete search history.

(56) **References Cited**

U.S. PATENT DOCUMENTS

D226,583 S * 3/1973 Welch D24/214
D263,872 S * 4/1982 Rakocy D24/214
D263,998 S * 4/1982 Oberheim D24/214
6,099,463 A 8/2000 Hockhalter
6,179,775 B1 1/2001 Thompson
6,443,915 B1 * 9/2002 Hwang A61N 1/32
601/15
6,464,653 B1 10/2002 Hovland et al.
D484,606 S * 12/2003 Ahn D24/200
D500,854 S * 1/2005 Eichel D24/133
D589,650 S * 3/2009 Adriaenssen D24/133
D609,817 S * 2/2010 Piller D24/215
7,670,280 B2 3/2010 Gloth
D649,657 S * 11/2011 Petersen D24/215
8,579,837 B1 11/2013 Makower et al.
8,784,297 B2 7/2014 Mertens et al.
8,870,746 B2 10/2014 Carlson

9,011,316 B2 4/2015 Mertens et al.
D738,516 S * 9/2015 Karim D24/200
D744,665 S 12/2015 Lamb et al.
D747,800 S * 1/2016 Dunleavy D24/133
D794,784 S * 8/2017 Bradley D24/133

(Continued)

FOREIGN PATENT DOCUMENTS

DE 202015105689 12/2015
WO WO2015039787 3/2015

OTHER PUBLICATIONS

Sextoy.com, "Original Clitoral Vibrating Pump—Pink," accessed
Jun. 14, 2016, <https://www.sextoy.com/product/SE062304/original-clitoral-vibrating-pump-pink>.

(Continued)

Primary Examiner — Cynthia Ramirez

Assistant Examiner — Michael A Maharajh

(74) *Attorney, Agent, or Firm* — Evan Feldstein

(57) **CLAIM**

I claim the ornamental design for a stimulation device, as
shown and described.

DESCRIPTION

FIG. 1 is a rear view of a stimulation device showing my
new design.

FIG. 2 is a left side view thereof.

FIG. 3 is a front view thereof.

FIG. 4 is a right side view thereof.

FIG. 5 is a top view thereof.

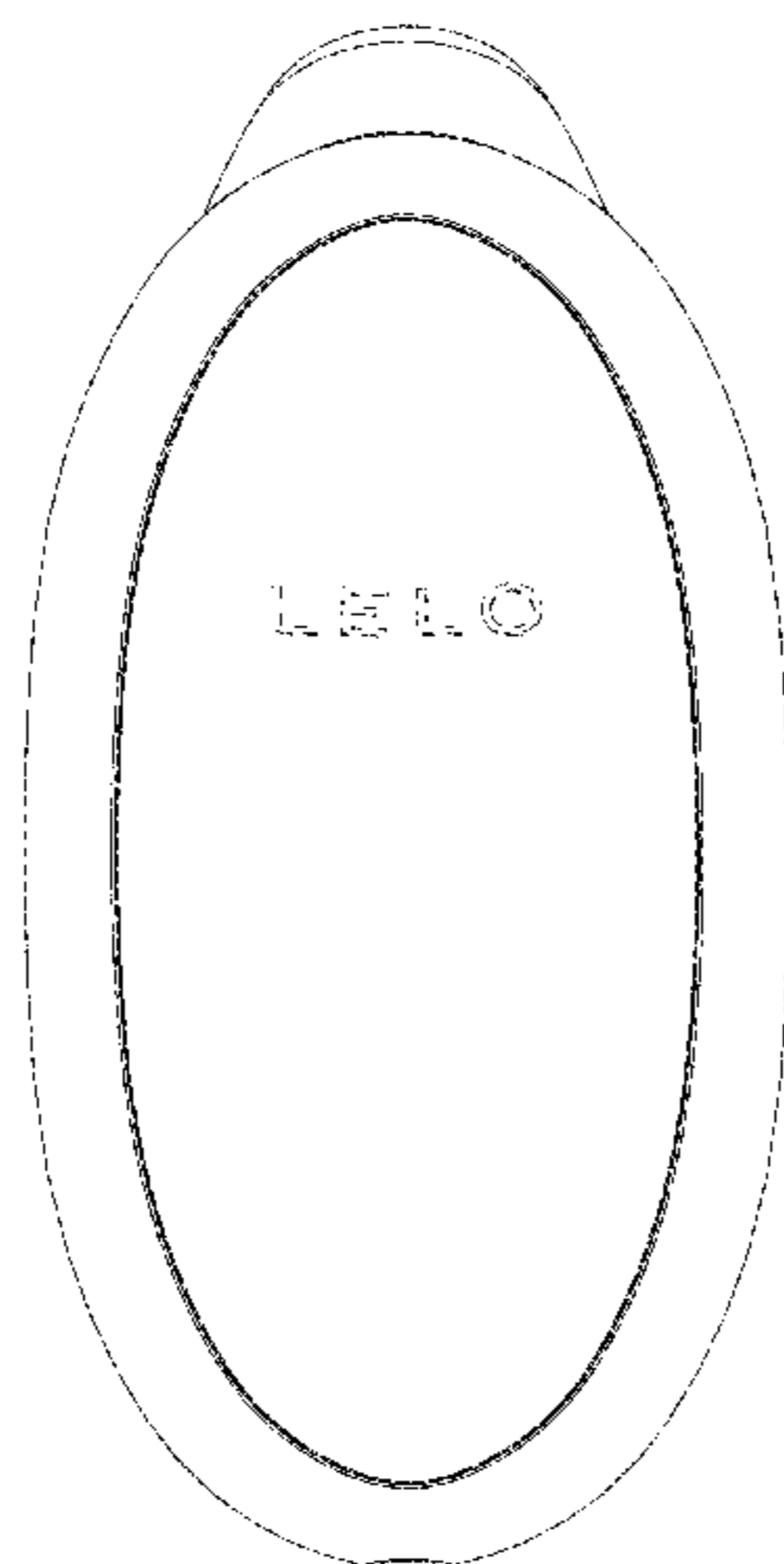
FIG. 6 is a bottom view thereof.

FIG. 7 is a perspective view thereof; and,

FIG. 8 is another perspective view thereof.

The broken lines are directed to environment and are for
illustrative purposes only; the broken lines form no part of
the claimed design.

1 Claim, 8 Drawing Sheets



(56)

References Cited

U.S. PATENT DOCUMENTS

D794,854 S * 8/2017 Zepter D24/200
D795,423 S * 8/2017 Chen D24/133
D799,694 S * 10/2017 Mori D24/133
9,950,147 B2 * 4/2018 Mehta A61M 35/003
D819,221 S * 5/2018 Lei D24/200
2012/0150076 A1 6/2012 Clarvoe
2012/0215141 A1 8/2012 Peddicord
2013/0178769 A1 7/2013 Schmidt
2014/0221737 A1 8/2014 Liu
2015/0157531 A1 * 6/2015 Sedic A61H 19/40
601/46
2016/0213557 A1 7/2016 Lenke

OTHER PUBLICATIONS

Sextoy.com, "Vibrating Clit Suckers & Pussy Pumps for vaginal & clitoral pumping," accessed Jun. 14, 2016, <https://www.sextoy.com/category/26/Vibrators/Clit-Suckers-and-Pussy-Pumps>.

* cited by examiner

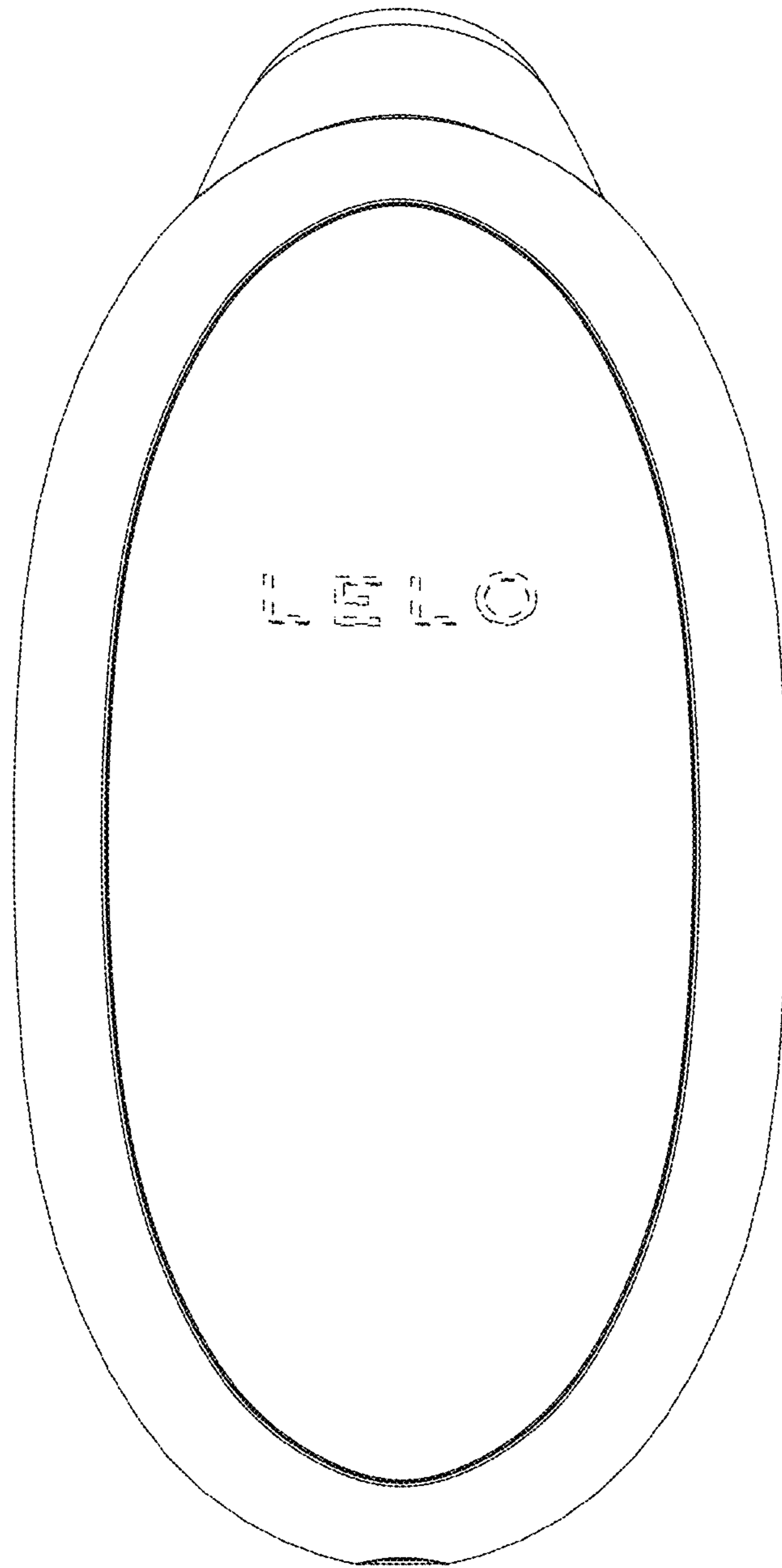


FIG. 1

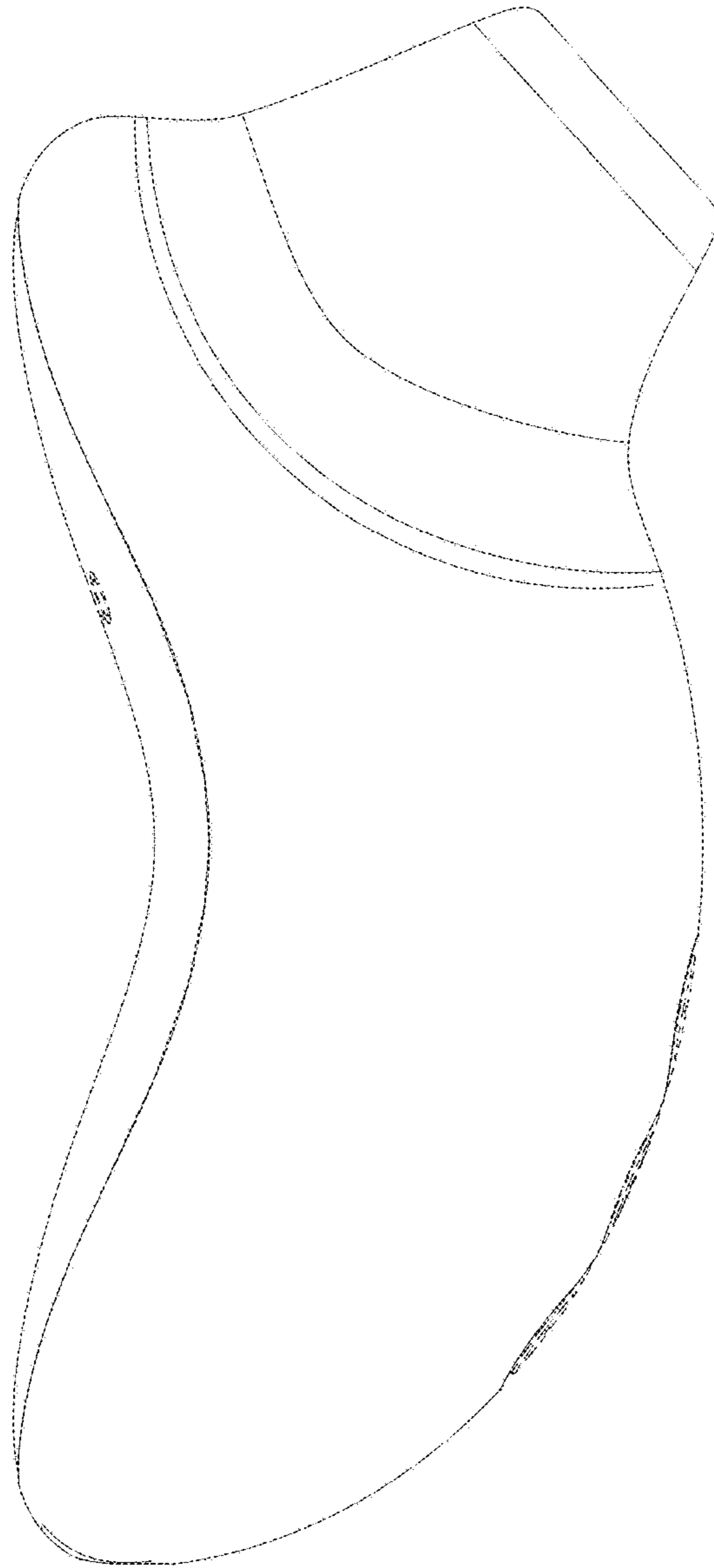


FIG. 2

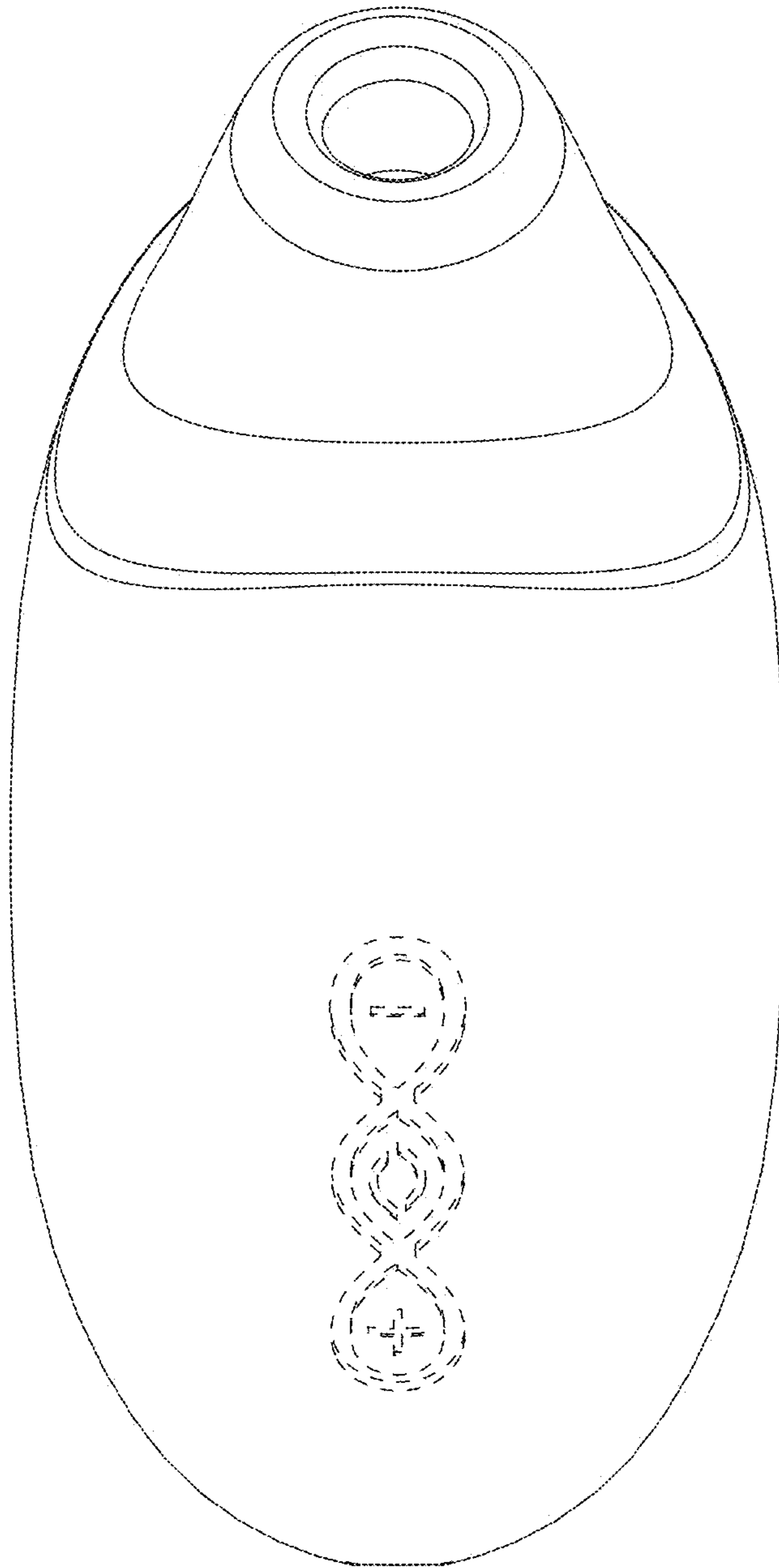


FIG. 3

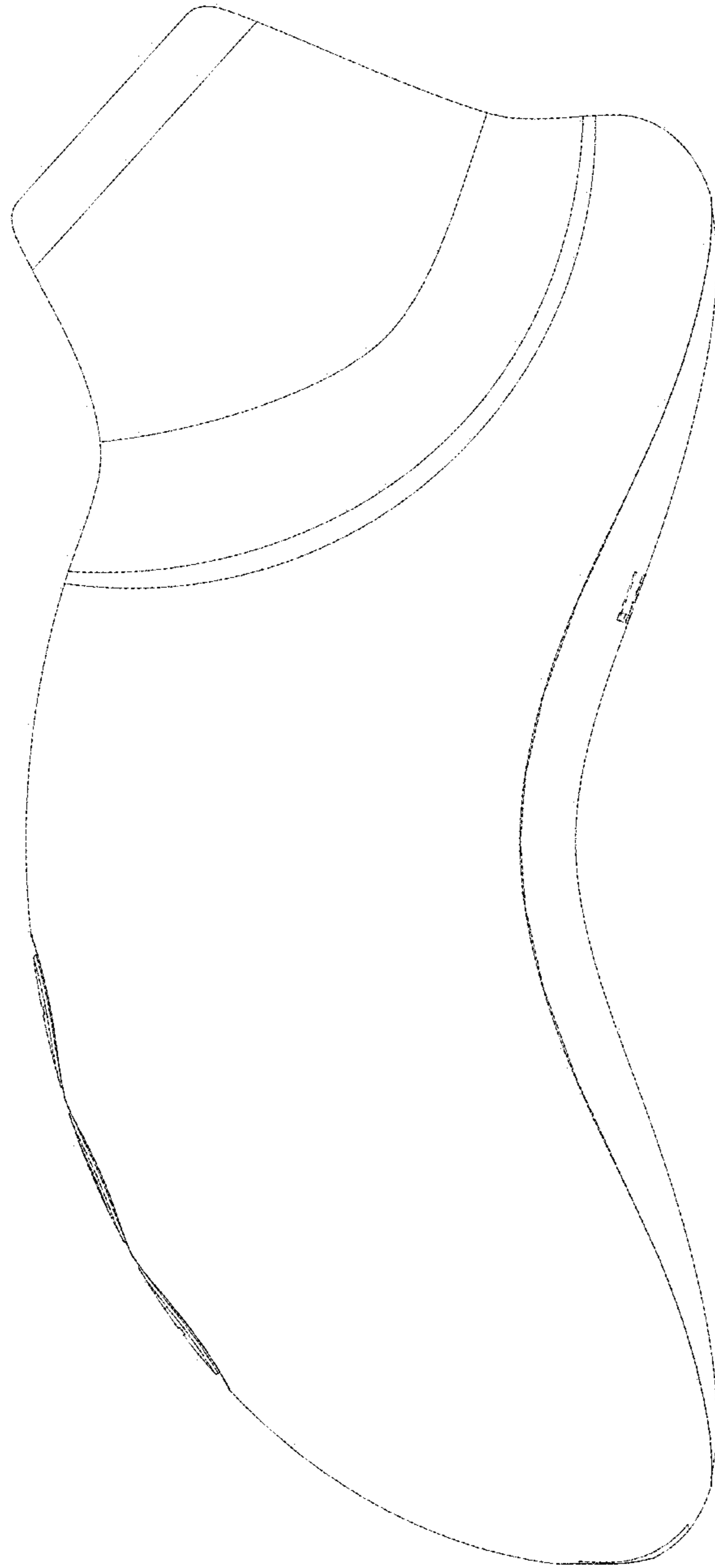


FIG. 4

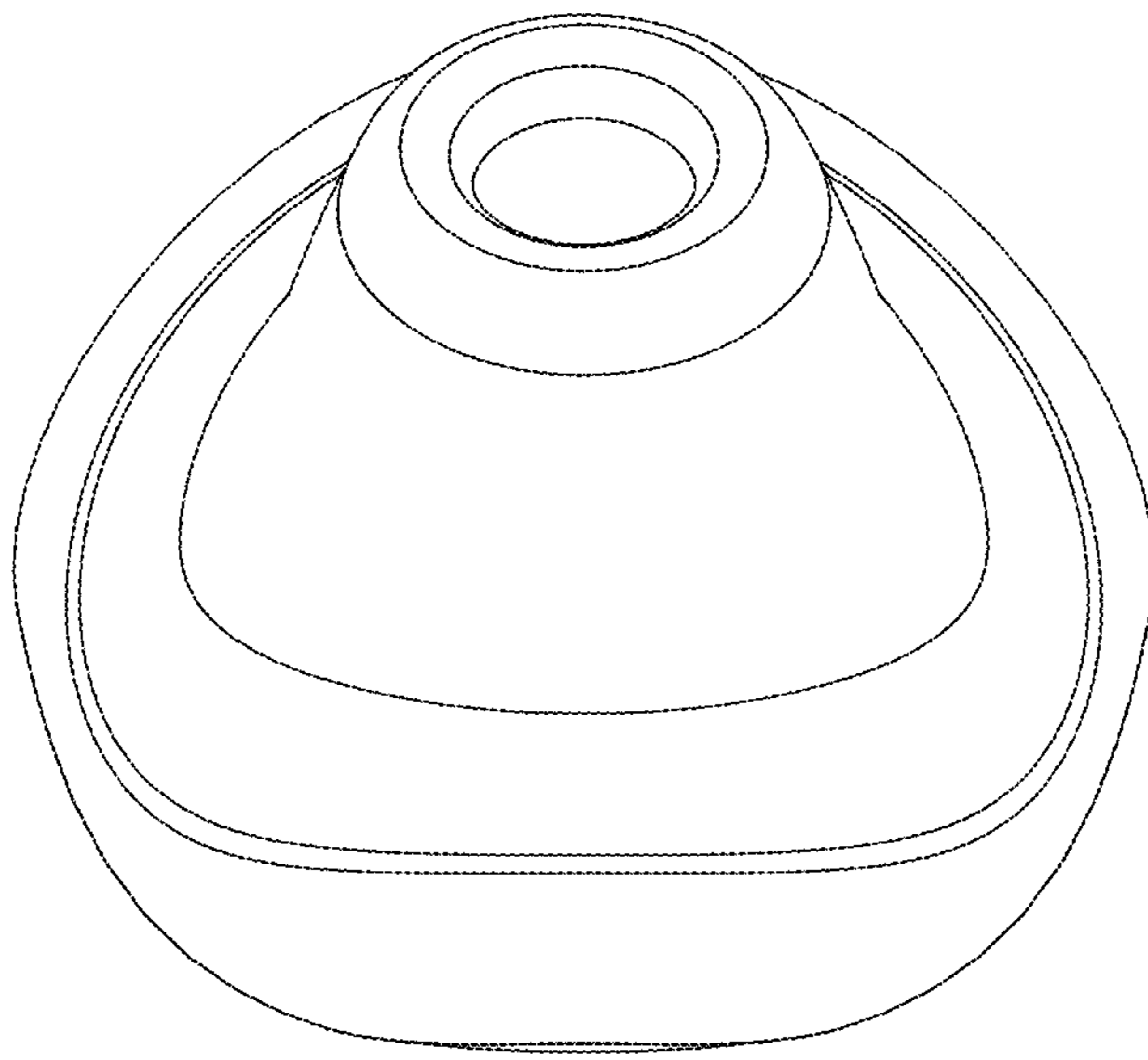


FIG. 5

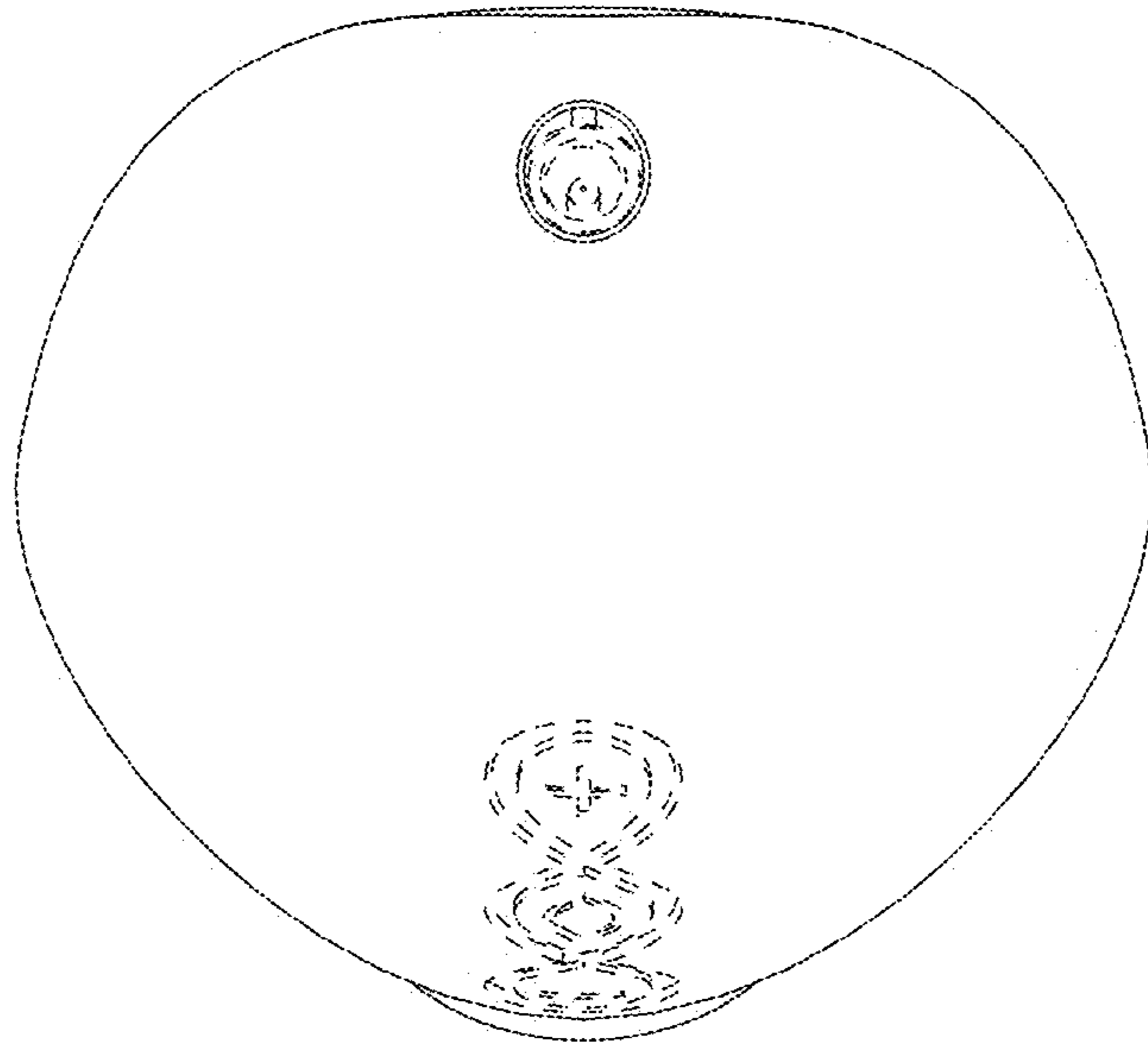


FIG. 6

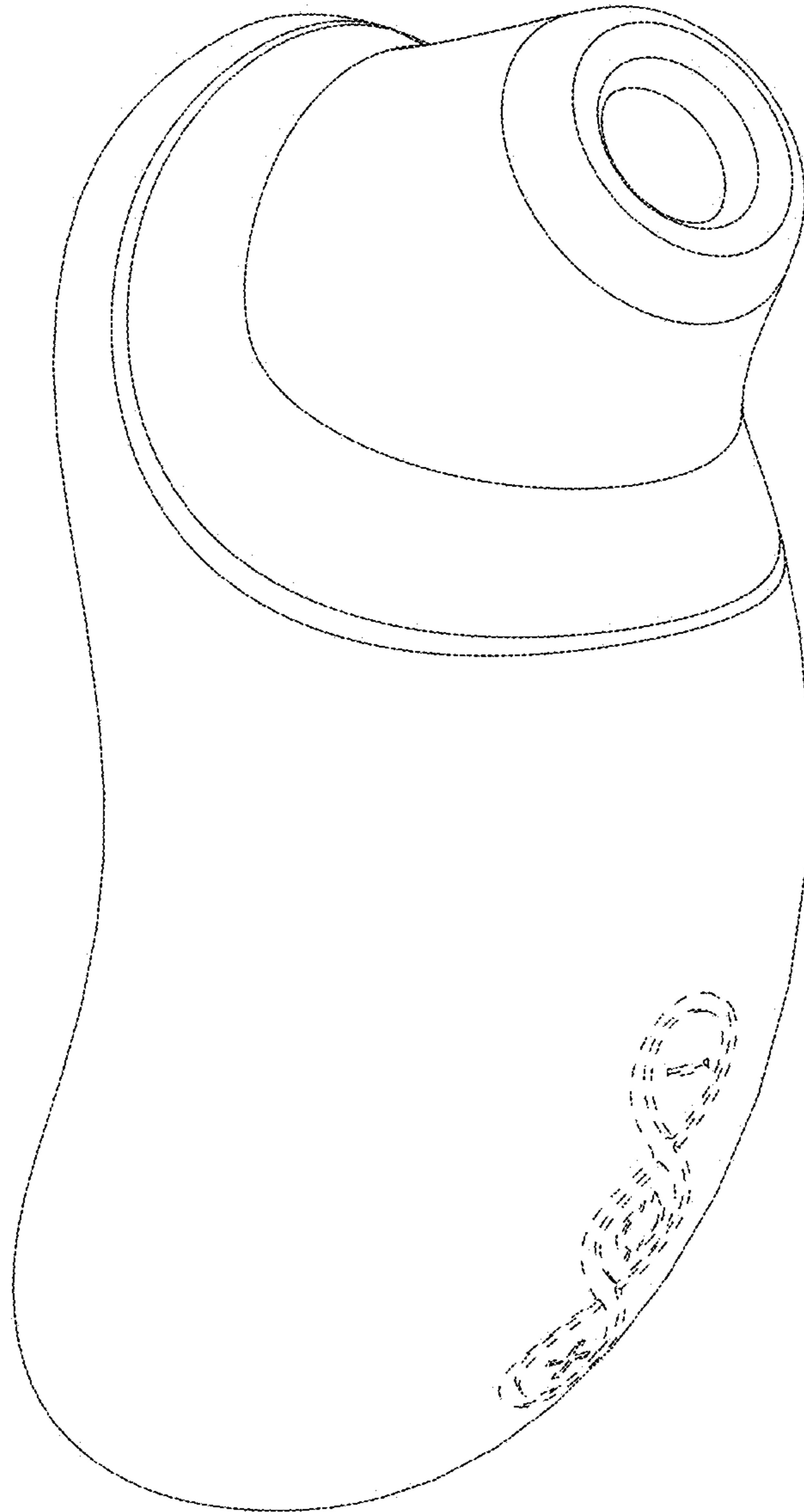


FIG. 7

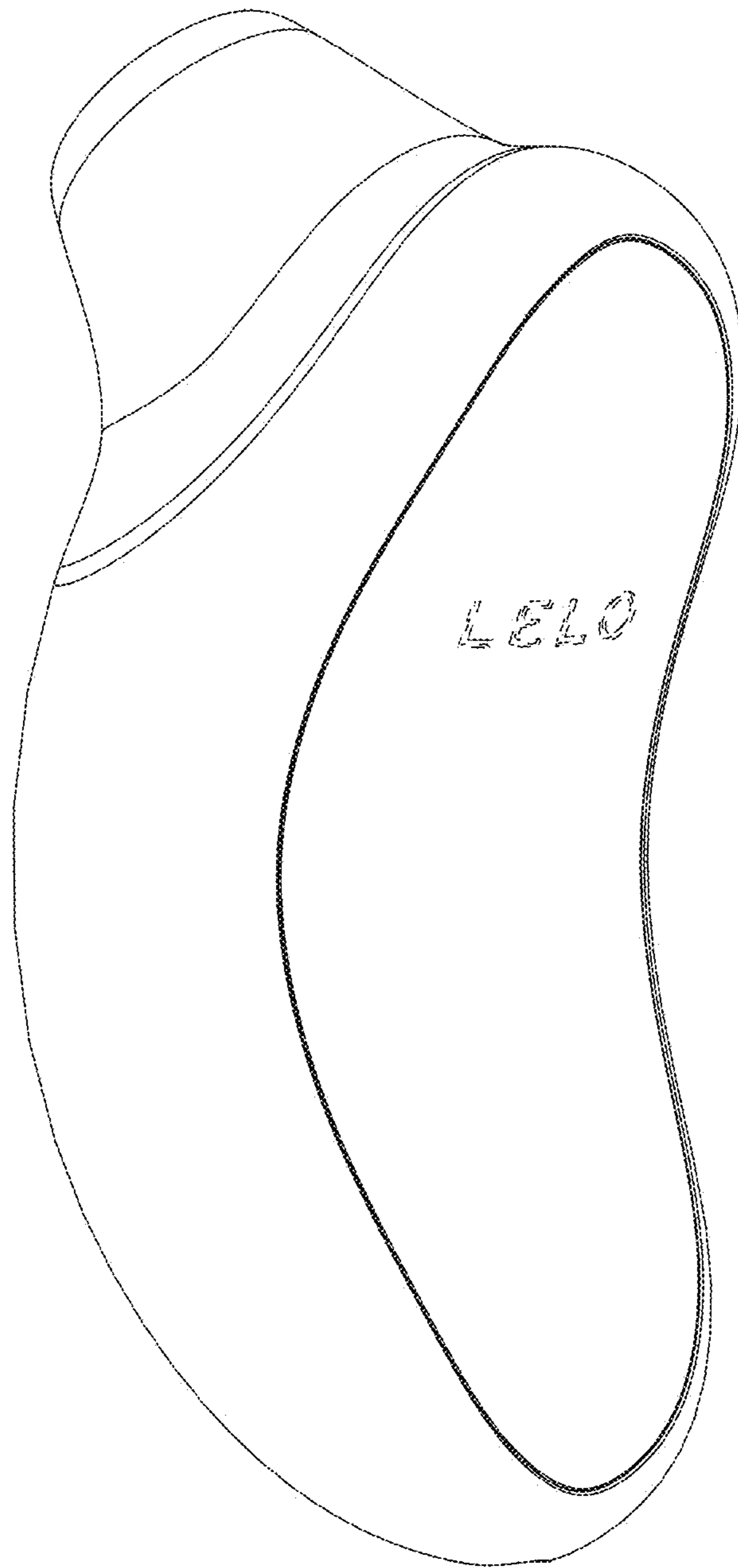


FIG. 8