



US00D835795S

(12) **United States Design Patent** (10) **Patent No.:** **US D835,795 S**
Tai (45) **Date of Patent:** **** Dec. 11, 2018**

(54) **VIBRATING HANDLE WITH SKIN CARE ATTACHMENT**

(71) Applicant: **Gizmospring.com Dongguan.limited**, Dongguan (CN)

(72) Inventor: **Kenny Chih-Yao Tai**, Dongguan (CN)

(73) Assignee: **GIZMOSPRING.COM DONGGUAN.LIMITED**, Dongguan (CN)

(**) Term: **15 Years**

(21) Appl. No.: **29/590,721**

(22) Filed: **Jan. 12, 2017**

(30) **Foreign Application Priority Data**

Sep. 27, 2016 (CN) 2016 3 0483793

(51) **LOC (11) Cl.** **28-03**

(52) **U.S. Cl.**
USPC **D24/214**

(58) **Field of Classification Search**
USPC 601/2, 15, 19, 27-32, 46, 48, 52, 72, 78, 601/79, 84-85, 93-94, 99, 112, 113, 114,
(Continued)

(56) **References Cited**

U.S. PATENT DOCUMENTS

5,187,827 A * 2/1993 Wei A46B 13/06
D24/215
D339,198 S * 9/1993 Mochida D24/211
(Continued)

FOREIGN PATENT DOCUMENTS

JP 1590604 11/2017
TW D163222 9/2014
TW D176746 6/2016

OTHER PUBLICATIONS

Office Action, dated Sep. 21, 2017, mailed in Taiwan Patent Application No. 106300519.

(Continued)

Primary Examiner — Cynthia Ramirez

Assistant Examiner — Michael A Maharajh

(74) *Attorney, Agent, or Firm* — Davis Wright Tremaine LLP; Heather M. Colburn

(57) **CLAIM**

The ornamental design for a vibrating handle with skin care attachment, as shown and described.

DESCRIPTION

FIG. 1 is a top right side perspective view of a vibrating handle with skin care attachment showing my new design. FIG. 2 is a bottom left side perspective view thereof.

FIG. 3 is a front elevation view thereof.

FIG. 4 is a right side elevation view thereof.

FIG. 5 is a left side elevation view thereof.

FIG. 6 is a rear elevation view thereof.

FIG. 7 is a top plan view thereof.

FIG. 8 is a bottom plan view thereof.

FIG. 9 is a top right side perspective view of the skin care attachment exploded from the vibrating handle with skin care attachment.

FIG. 10 is a top left side perspective view of the vibrating handle with the skin care attachment removed.

FIG. 11 is a bottom right side perspective view of the vibrating handle with the skin care attachment removed.

FIG. 12 is a bottom right side perspective view of the vibrating handle with skin care attachment exploded from its charging stand.

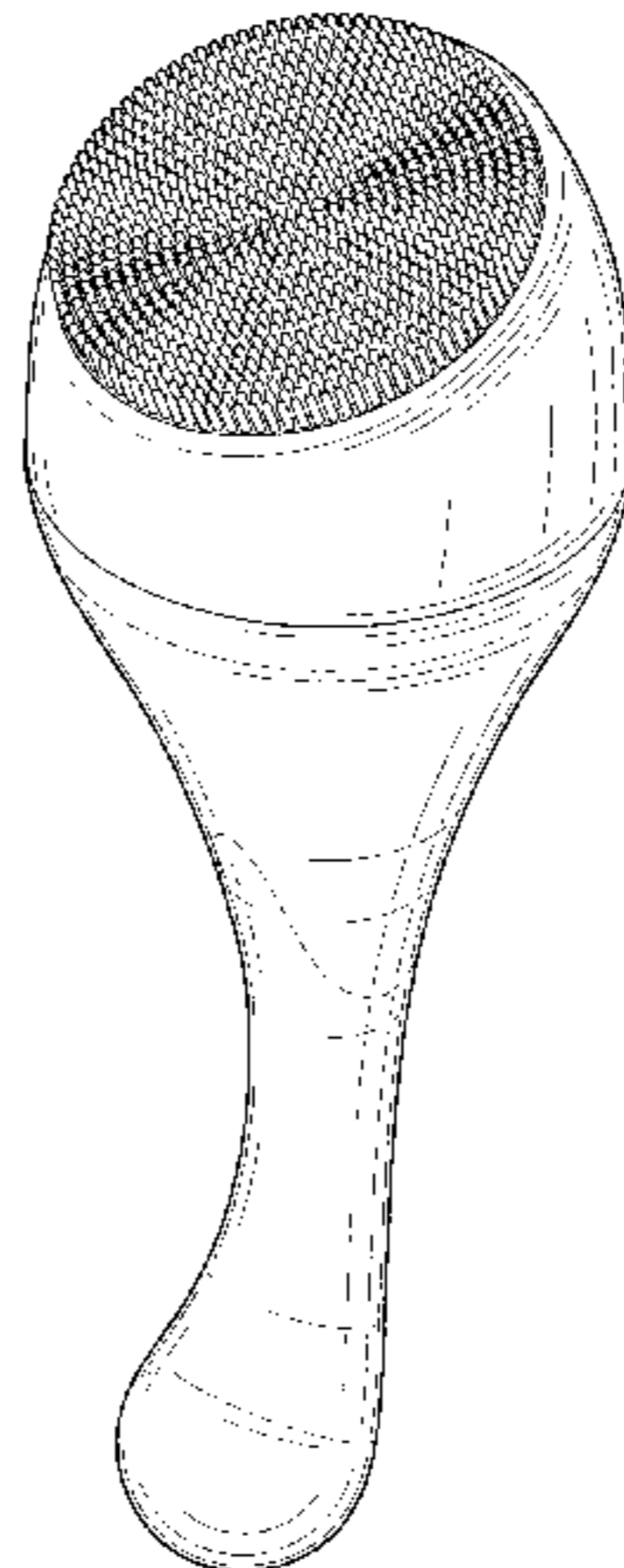
FIG. 13 is a bottom right side perspective view of the vibrating handle with skin care attachment resting on its charging stand.

FIG. 14 is a bottom right side perspective view of the skin care attachment.

FIG. 15 is a right side elevation view of the skin care attachment; and,

FIG. 16 is a bottom plan view of the skin care attachment.

(Continued)



The broken lines shown in the figures are for the purpose of illustrating portions of the vibrating handle with skin care attachment which form no part of the claimed design.

1 Claim, 14 Drawing Sheets

(58) **Field of Classification Search**

USPC 601/120, 121, 125, 129, 131, 134, 135,
601/DIG. 12, DIG. 14, DIG. 15, DIG. 16,
601/DIG. 17; D14/218; D24/200, 211,
D24/212, 213, 214, 215; D30/160;
D28/91.1; D9/726, 727, 729; D4/100,
D4/102, 127
CPC A46B 13/06; A61H 23/004; A61H 15/00;
A61H 15/0092; A61H 2015/0014; A61H
7/00

See application file for complete search history.

(56) **References Cited**

U.S. PATENT DOCUMENTS

5,471,695 A * 12/1995 Aiyar A46B 13/02
601/72
5,511,270 A * 4/1996 Eliachar A45D 24/00
601/72
5,662,593 A * 9/1997 Tillman A61H 15/0085
601/131
D447,811 S * 9/2001 Yiu D24/214
6,283,930 B1 * 9/2001 Purvis A46B 5/0033
601/72
D457,643 S * 5/2002 Qi D24/214
6,730,050 B2 * 5/2004 Huang A61H 23/0254
601/93
7,814,601 B2 * 10/2010 Taggart A46B 13/02
601/72
D652,524 S * 1/2012 Messner D24/211
D671,226 S * 11/2012 Aulwes D24/215
D683,139 S * 5/2013 Chikos D4/102

D703,825 S * 4/2014 Barrett D24/200
D721,420 S * 1/2015 Hawkins D24/215
D721,421 S * 1/2015 Hawkins D24/215
9,351,559 B2 * 5/2016 Pardo A46B 13/008
9,596,928 B2 * 3/2017 Pardo A61H 23/0263
D784,703 S * 4/2017 Grabes D4/102
D794,854 S * 8/2017 Zepter D24/200
9,730,758 B2 * 8/2017 Carlucci A61B 90/80
D803,572 S * 11/2017 Nichols D4/102
D804,826 S * 12/2017 Kling D4/127
D805,781 S * 12/2017 Szymanski D4/102
2007/0203436 A1 * 8/2007 Kamimura A61H 7/005
601/93
2008/0071138 A1 * 3/2008 Mertens A61H 7/005
601/46
2008/0308118 A1 * 12/2008 Taggart A46B 13/02
601/72
2011/0184499 A1 * 7/2011 Radi A61H 7/005
601/2
2012/0165710 A1 * 6/2012 Nichols A61H 7/005
601/72
2013/0023805 A1 * 1/2013 Ungemach A61H 7/005
601/114
2013/0023806 A1 * 1/2013 Ungemach A61H 7/005
601/114
2014/0336540 A1 * 11/2014 Chen A61N 7/00
601/2
2015/0164733 A1 * 6/2015 Thiebaut A61H 7/005
601/114
2015/0173998 A1 * 6/2015 Thiebaut A61H 7/005
601/114
2015/0190299 A1 * 7/2015 Jurna A61H 7/005
601/114
2015/0305973 A1 * 10/2015 Owen A46B 7/042
601/46

OTHER PUBLICATIONS

Notice of Acceptance, dated Mar. 12, 2018, received in corresponding Japanese Application No. 2017-021704.

* cited by examiner

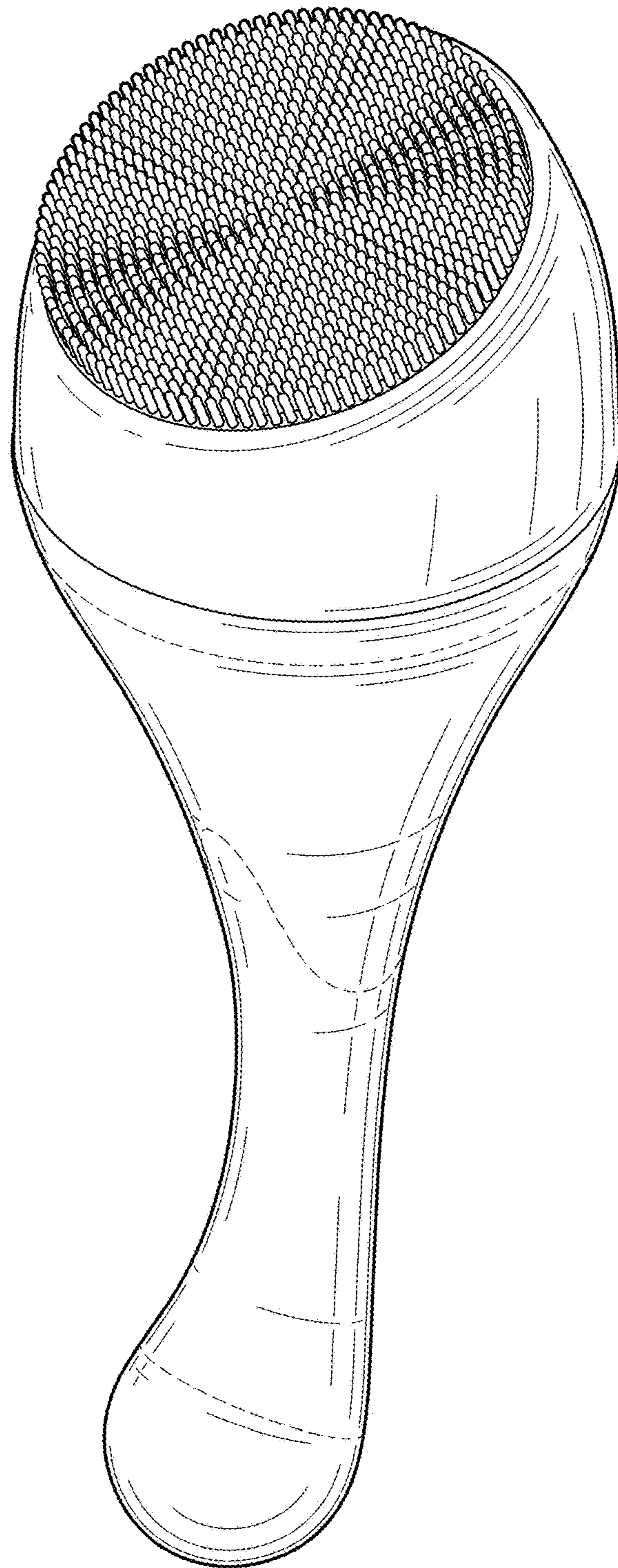


FIG. 1

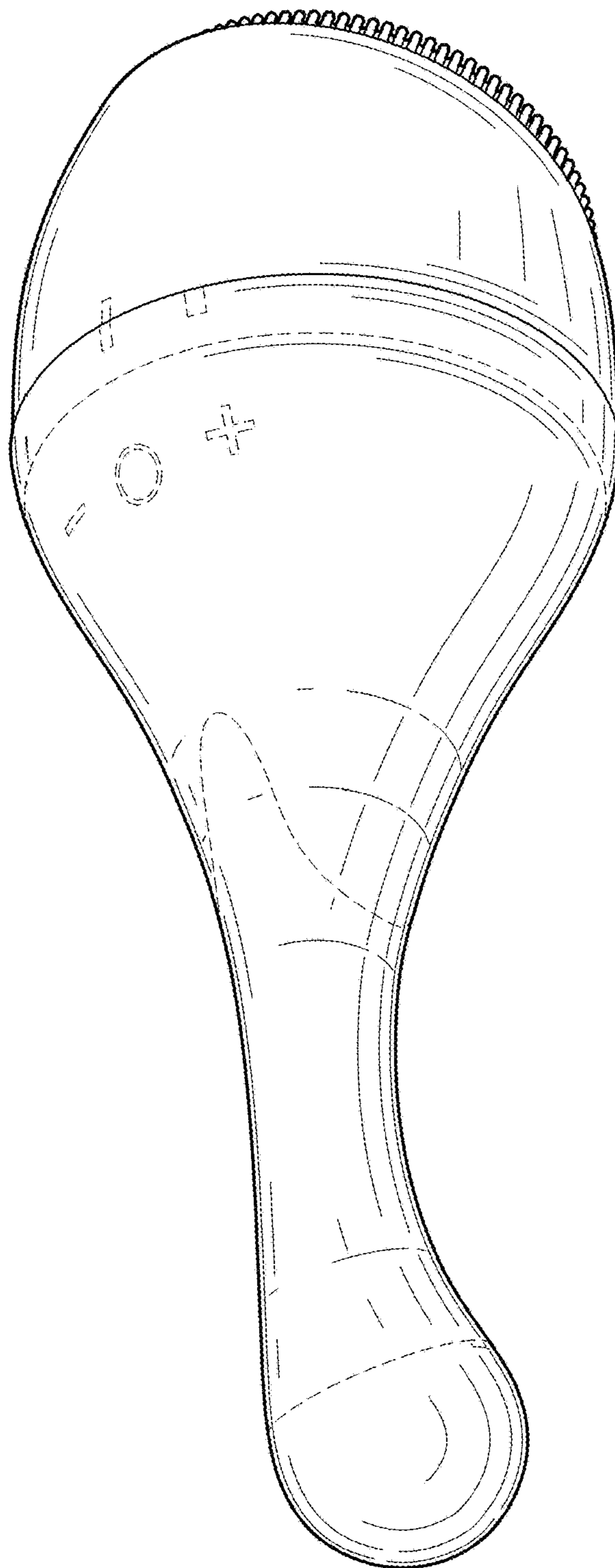


FIG. 2

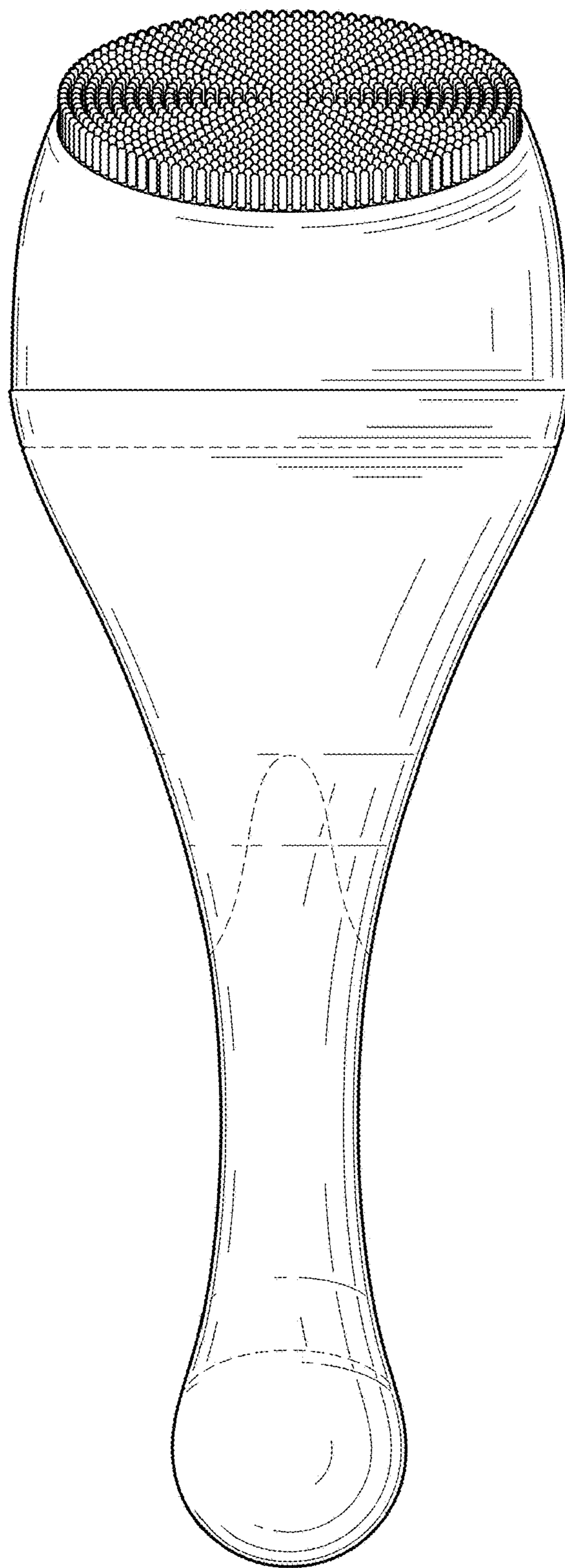


FIG. 3

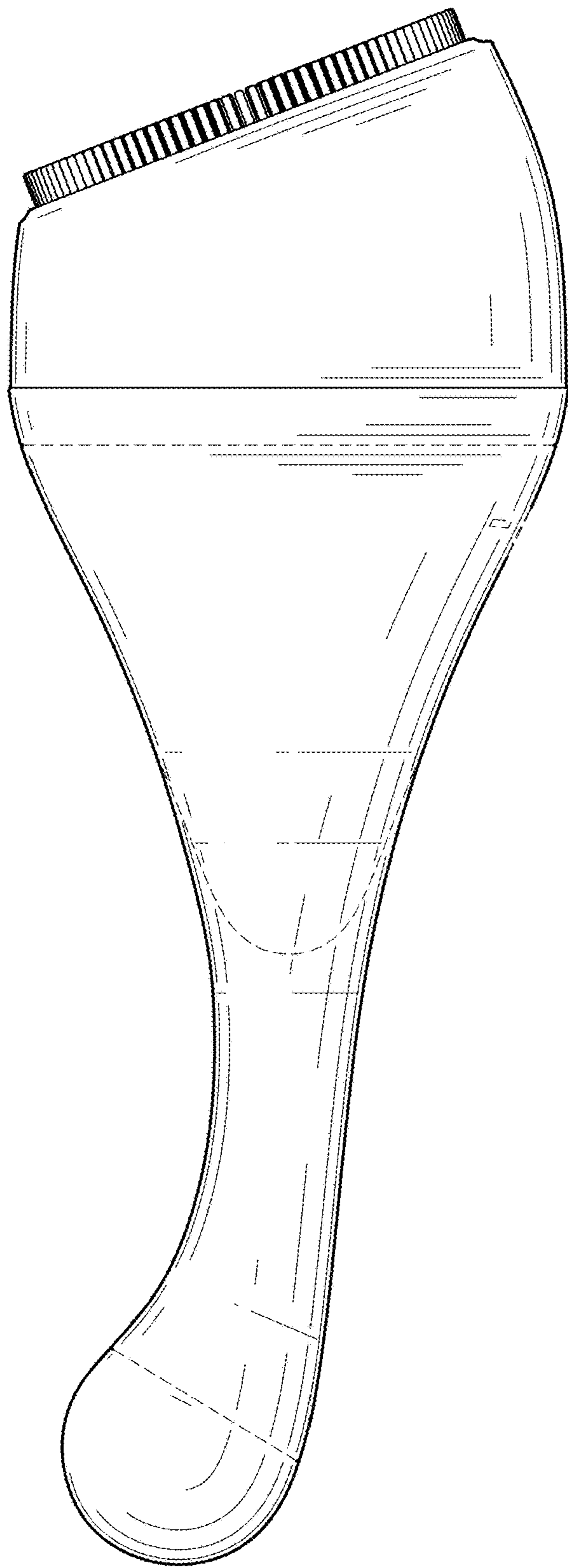


FIG. 4

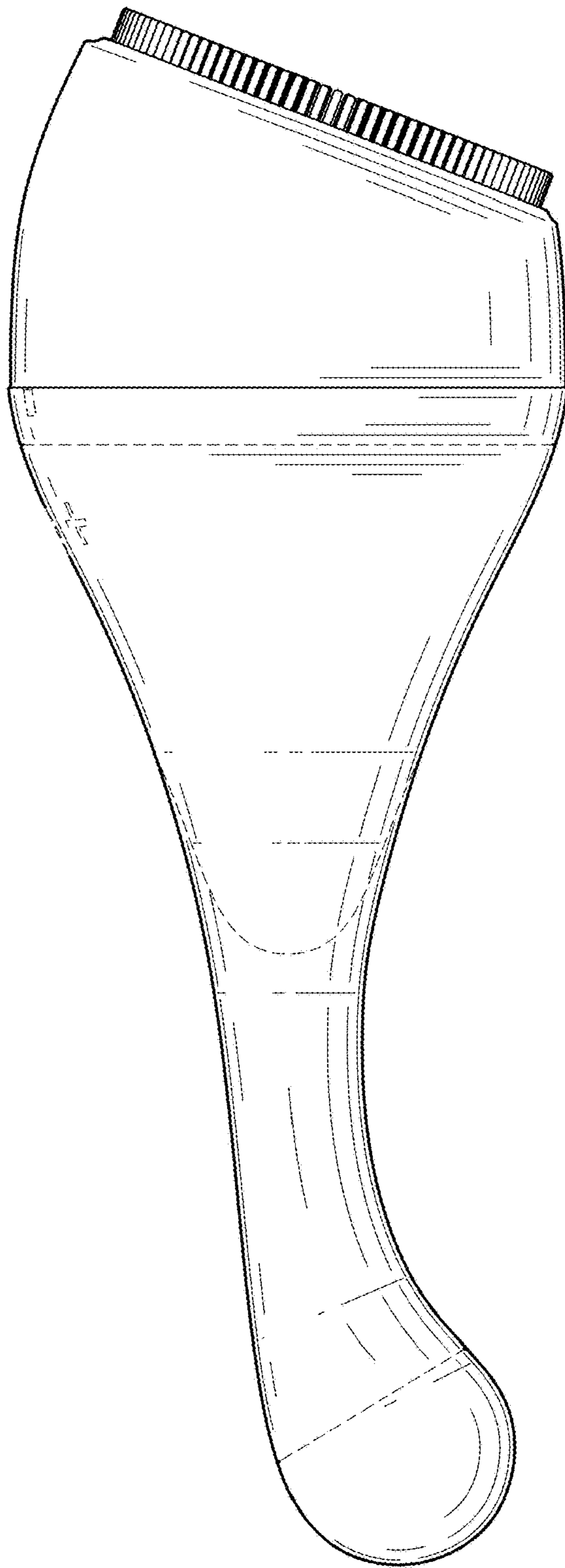


FIG. 5

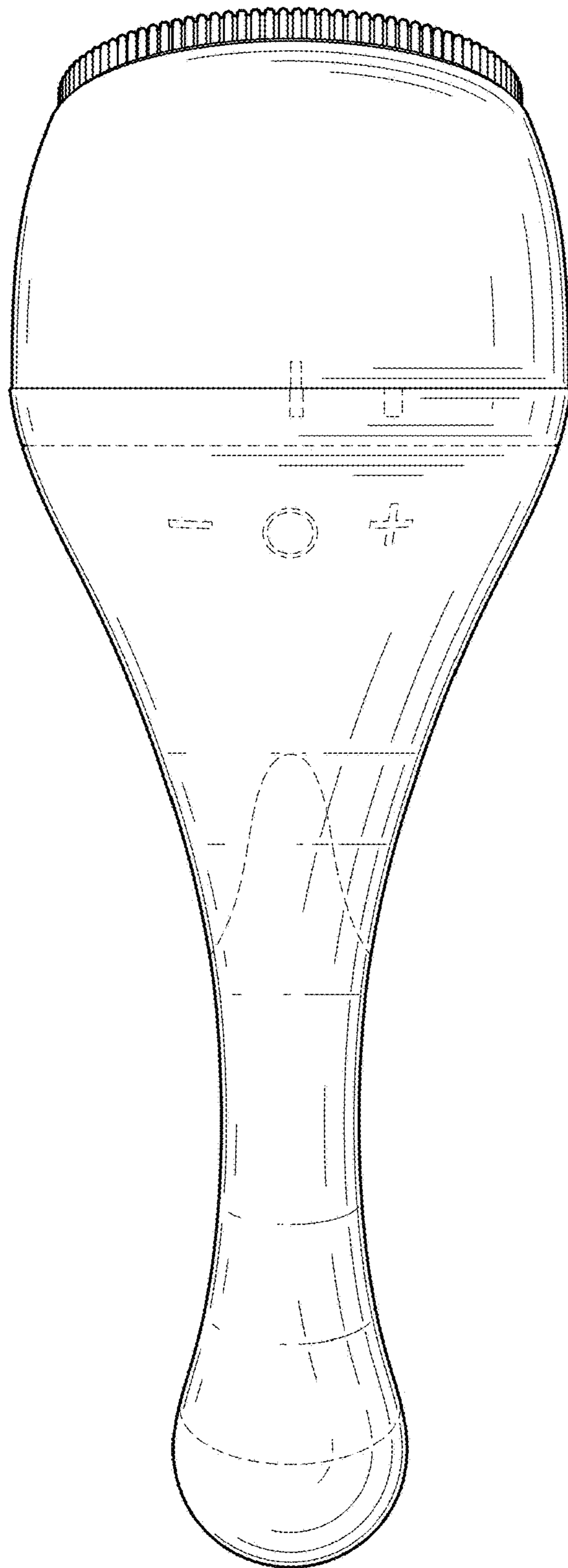


FIG. 6

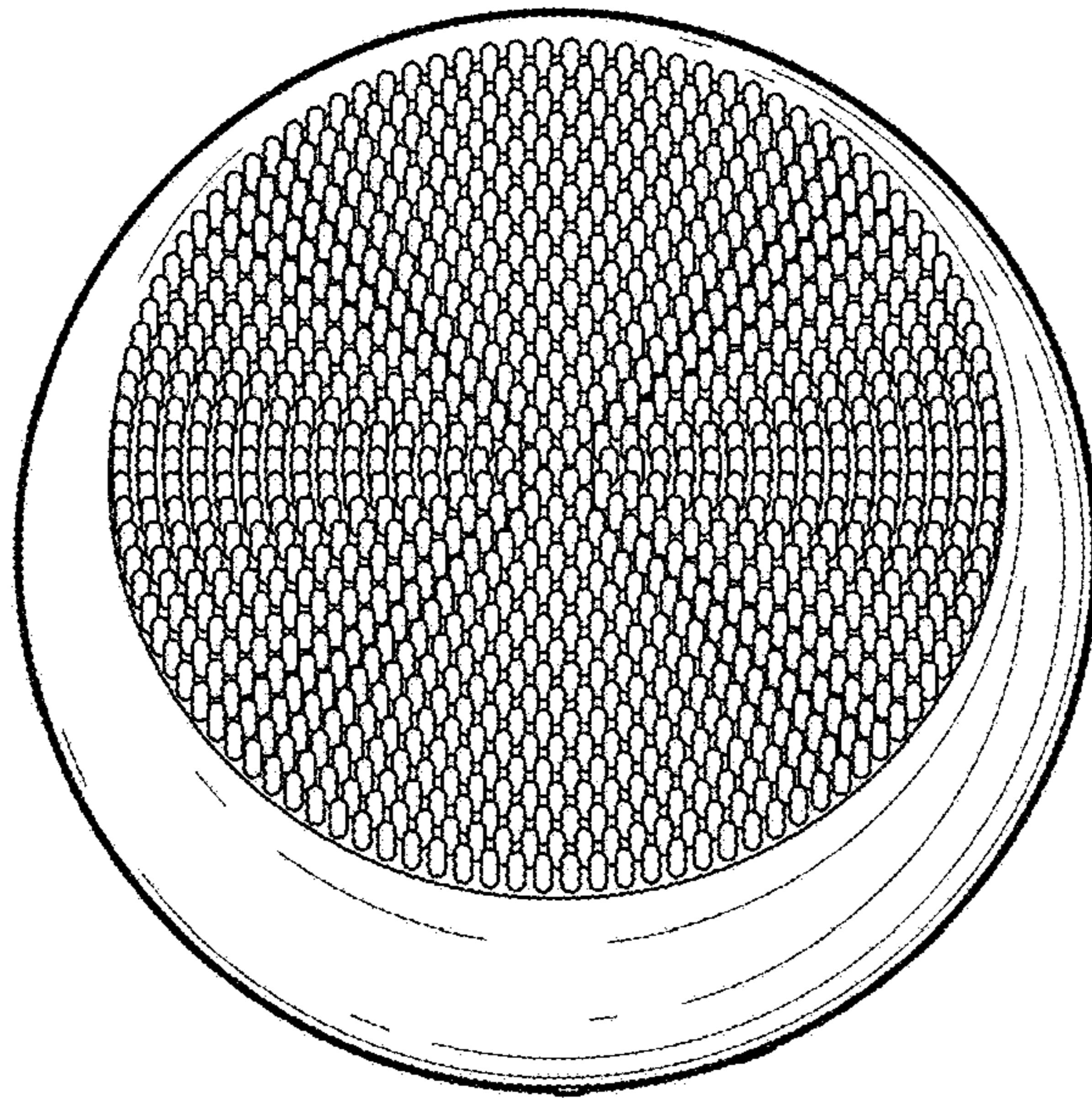


FIG. 7

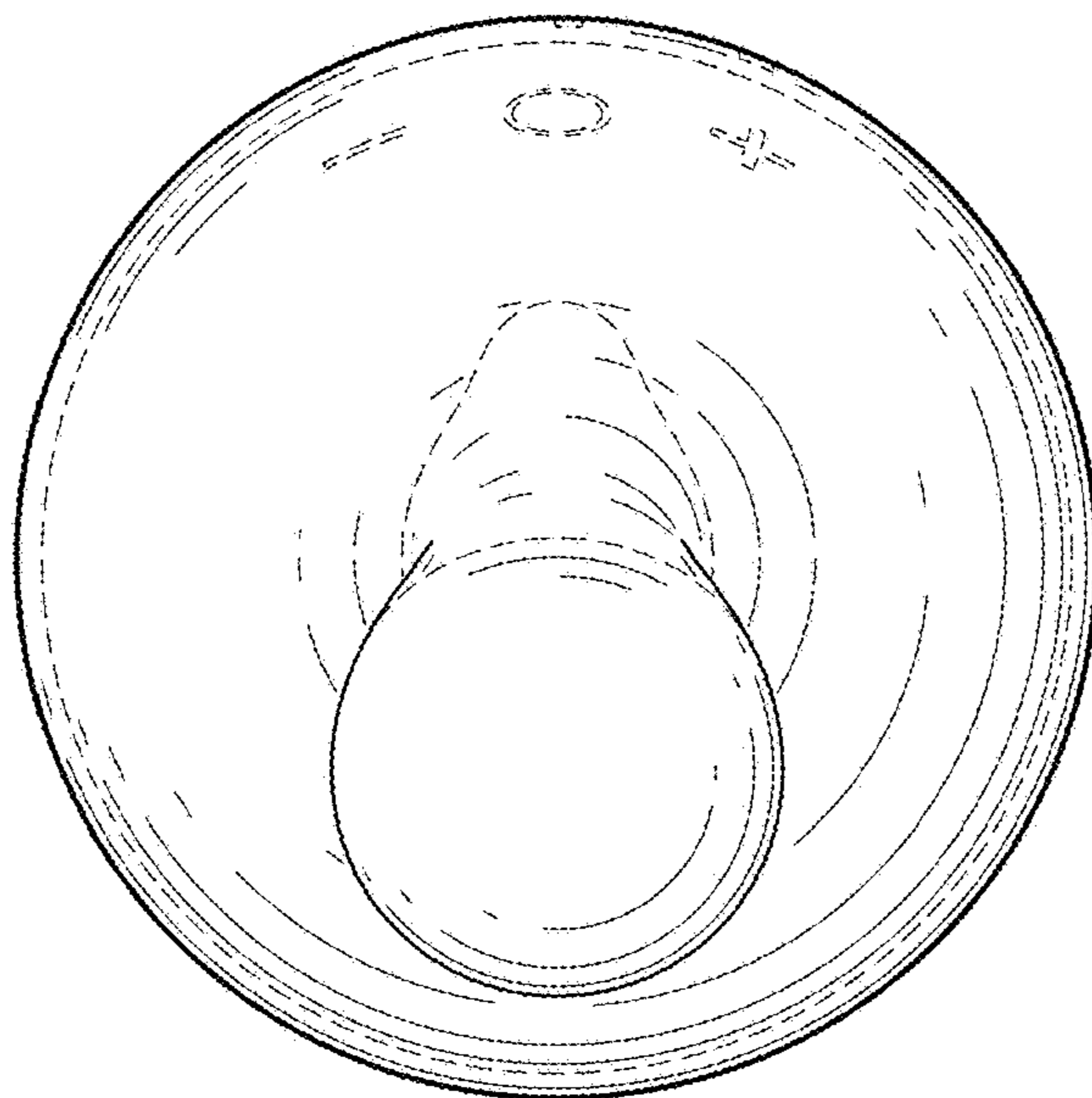


FIG. 8

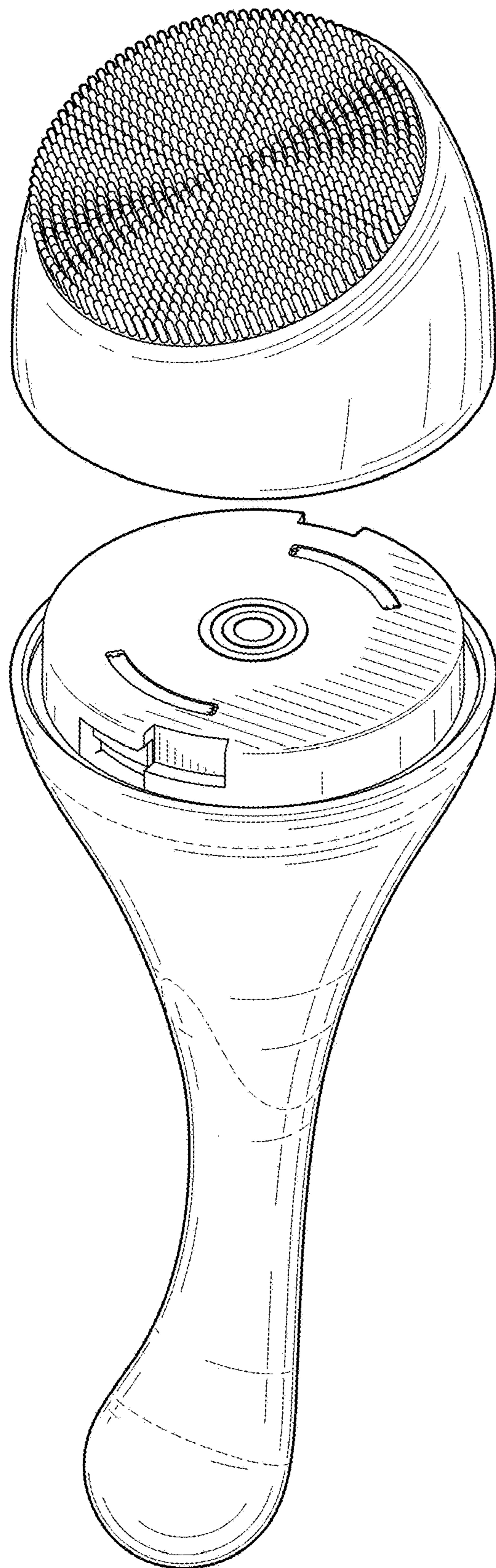


FIG. 9

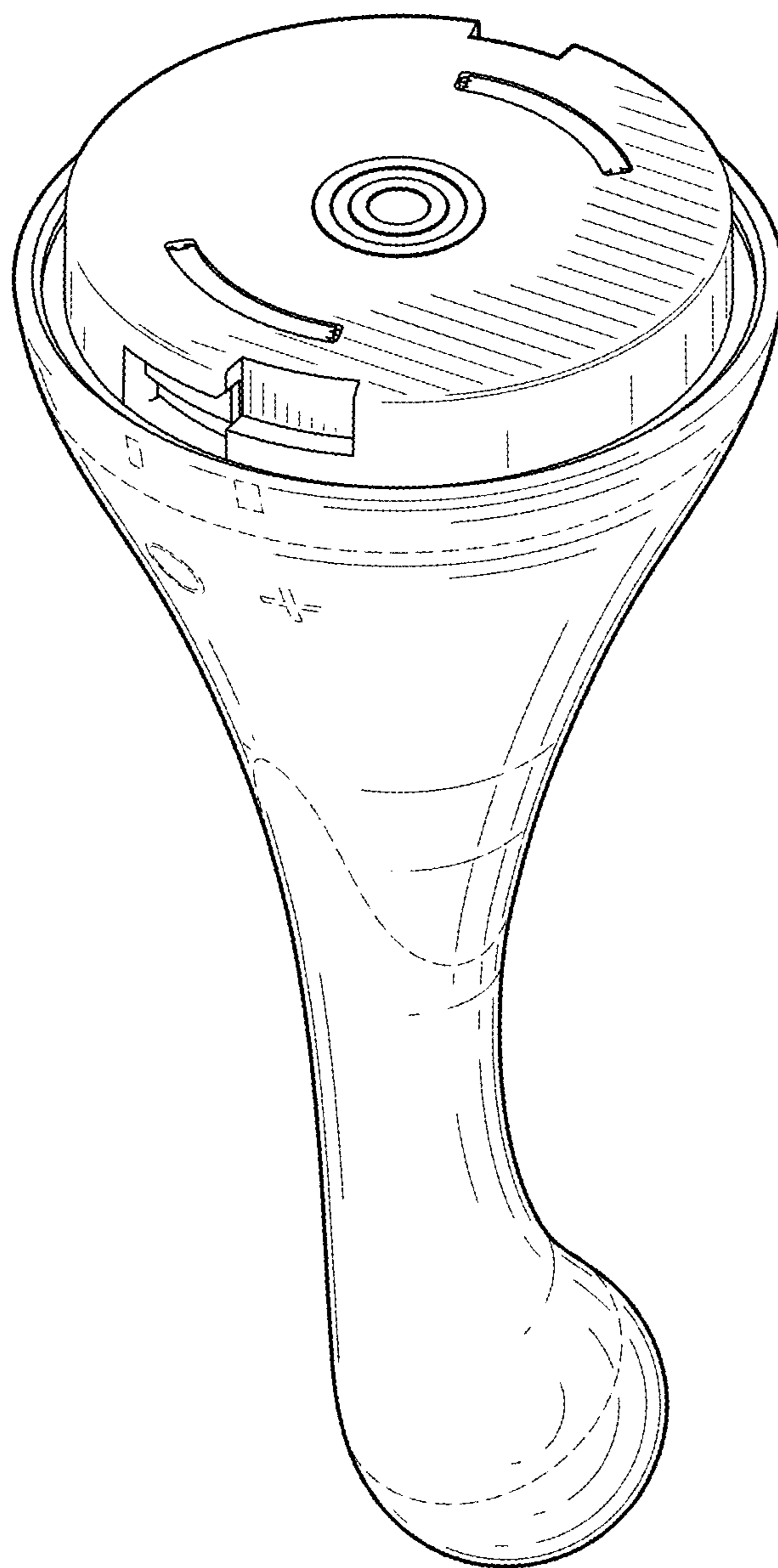


FIG. 10



FIG. 11



FIG. 12



FIG. 13

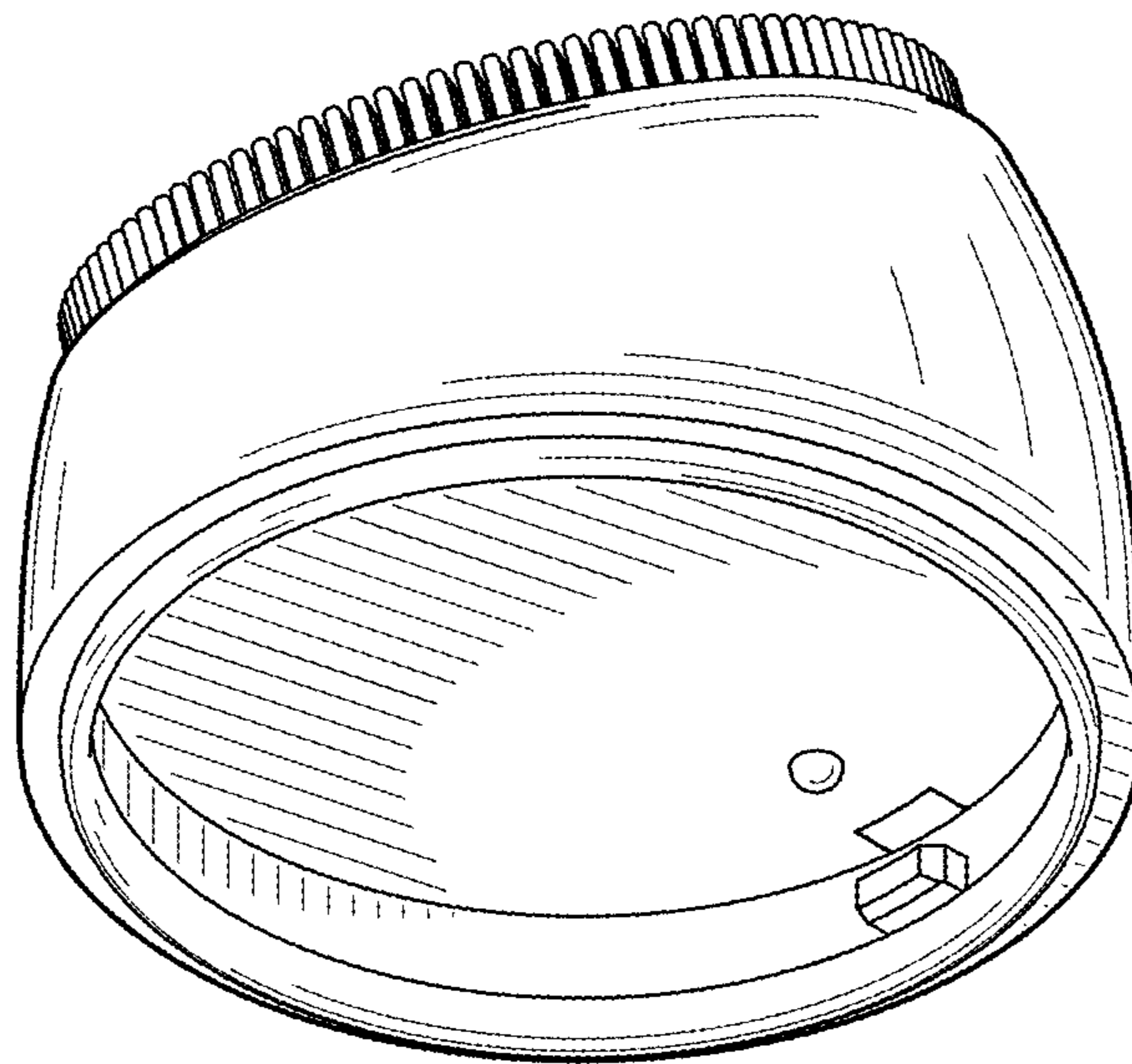


FIG. 14

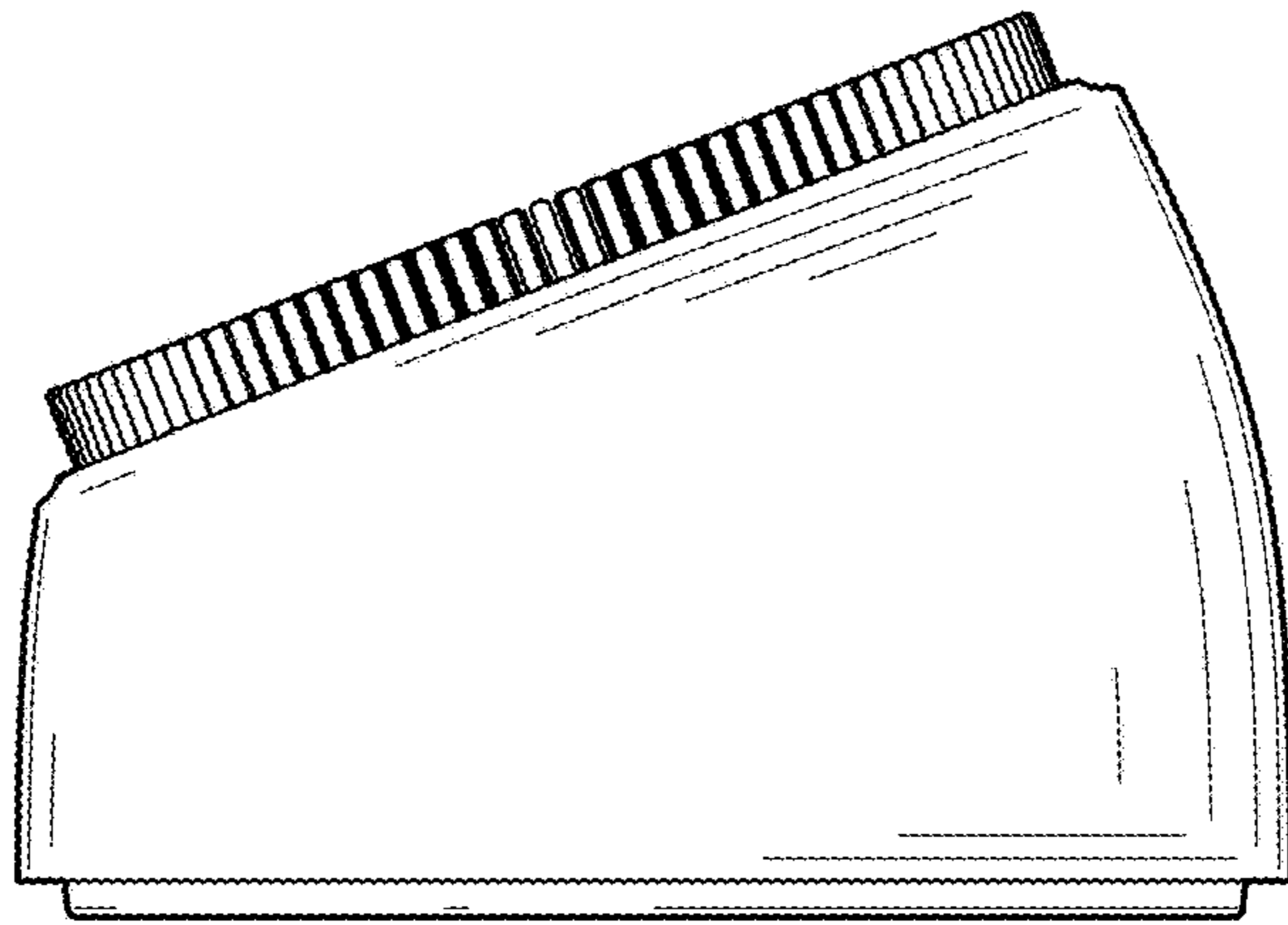


FIG. 15

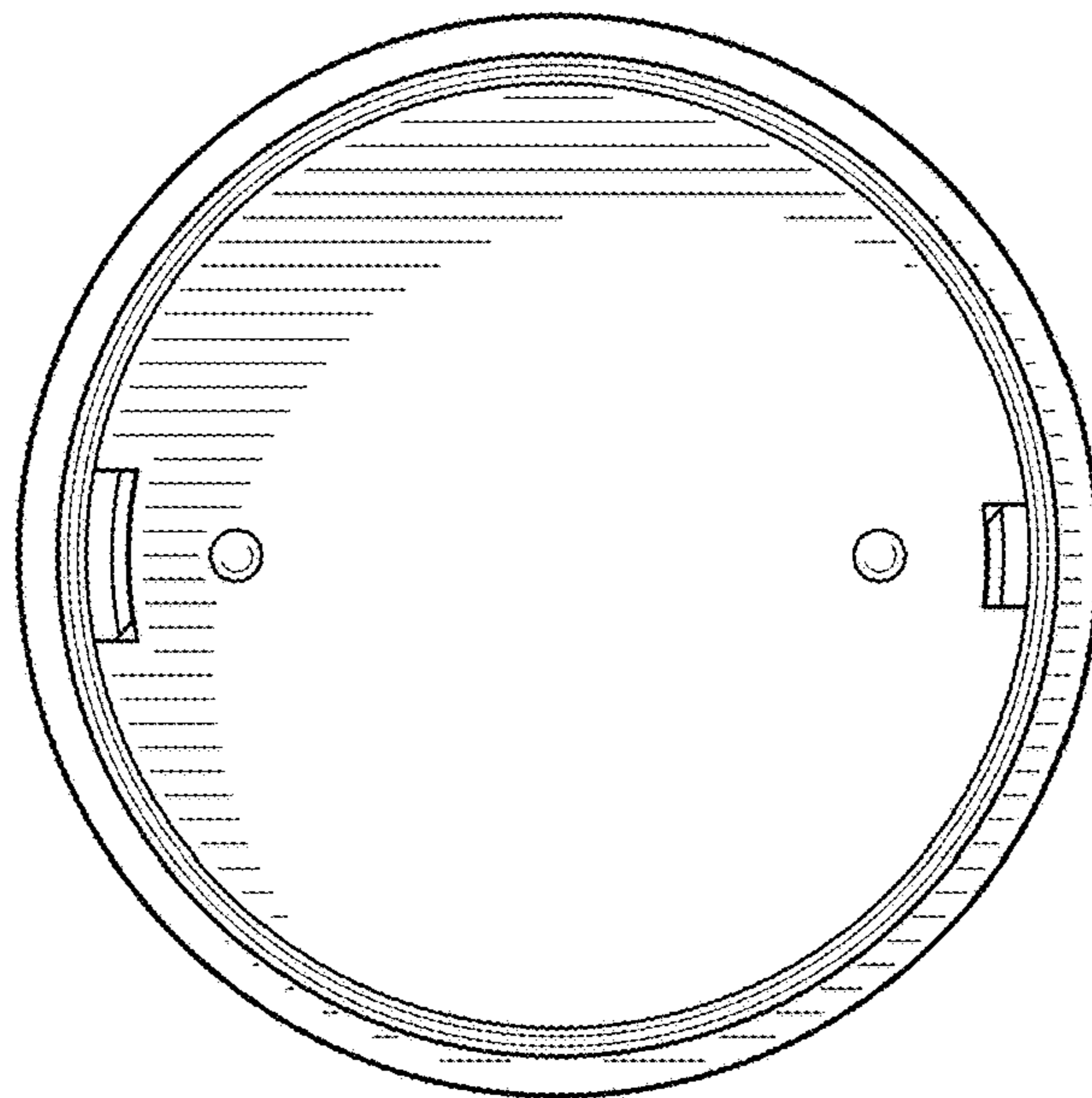


FIG. 16