



US00D835794S

(12) **United States Design Patent** (10) **Patent No.:** **US D835,794 S**
Clores (45) **Date of Patent:** **** Dec. 11, 2018**

(54) **CAP FOR A BABY BOTTLE**

- (71) Applicant: **Edgardo Clores**, Las Vegas, NV (US)
- (72) Inventor: **Edgardo Clores**, Las Vegas, NV (US)
- (73) Assignee: **MACE CORPORATION**, Las Vegas, NV (US)
- (**) Term: **15 Years**

(21) Appl. No.: **29/558,681**

(22) Filed: **Mar. 21, 2016**

(51) **LOC (11) Cl.** **07-01**

(52) **U.S. Cl.**
USPC **D24/197**; D7/392.1

(58) **Field of Classification Search**
USPC D24/193, 194, 195, 196, 197, 198, 199;
215/11.1, 11.2, 11.3, 11.4, 11.5, 11.6;
606/236; D7/392.1
CPC A61J 11/00; A61J 11/0035; A61J 11/0045
See application file for complete search history.

(56) **References Cited**

U.S. PATENT DOCUMENTS

3,022,915	A *	2/1962	Mullin	A61J 11/0065
					215/11.1
D275,993	S *	10/1984	Ryan	D24/194
4,867,325	A *	9/1989	Dransfield	A61J 9/00
					215/11.2
D360,468	S *	7/1995	Fuller	D24/196
D366,936	S *	2/1996	Young	D24/197
D450,852	S *	11/2001	Williams	D24/197
D450,979	S *	11/2001	Nestro	D7/392.1
D599,028	S *	8/2009	Schofield	D24/196
D684,267	S *	6/2013	Smith	D24/196
D717,589	S *	11/2014	Harshman	D7/392.1
D790,717	S *	6/2017	Clores	D24/197
2015/0096916	A1 *	4/2015	Marseglia	A61J 11/0075
					206/499
2018/0036207	A1 *	2/2018	Clores	A61J 11/002

OTHER PUBLICATIONS

“New Generation Baby Bottle by Mace Corporation”. Found online Mar. 2, 2018 at macebaby.blogspot.com. Page dated Nov. 17, 2016. Retrieved from <http://macebaby.blogspot.com/2016/11/new-generation-baby-bottle-by-mace.html>.*

“Choosing Feeding Nipples and Pacifiers”. Found online Mar. 1, 2018 at motherforlife.com. Page dated Nov. 4, 2013. Retrieved from <http://www.motherforlife.com/shopping/special-themes/8307-choosing-feeding-nipples-and-pacifiers.thtml?>.*

(Continued)

Primary Examiner — George D. Kirschbaum
Assistant Examiner — Kendra Leslie Hamilton
 (74) *Attorney, Agent, or Firm* — Weiss & Moy, P.C.;
 Jeffrey D. Moy

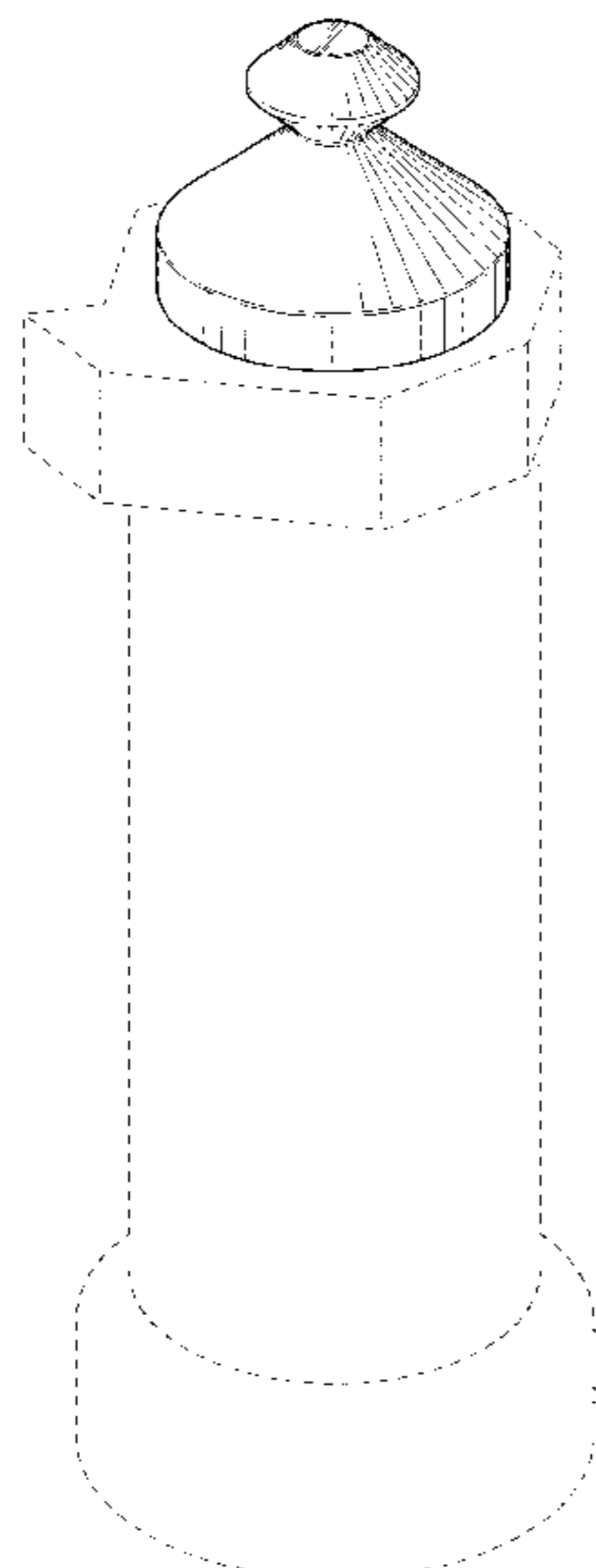
(57) **CLAIM**

The ornamental design for a cap for a baby bottle, as shown and described.

DESCRIPTION

FIG. 1 is a top-front perspective view of a cap for a baby bottle, showing my new design in a condition for use;
 FIG. 2 is a top-front perspective view of the cap for a baby bottle of FIG. 1, shown enlarged for clarity of disclosure;
 FIG. 3 is a front elevational view thereof;
 FIG. 4 is a top plan view thereof; and,
 FIG. 5 is a bottom plan view thereof.
 In FIG. 1, the evenly spaced broken lines represent unclaimed environmental subject matter and form no part of the claimed design. In FIG. 5, the dash-dot-dash broken lines immediately adjacent to the outer rim edge indicates the boundary of the claim while the evenly spaced broken lines in the center represents unclaimed environmental subject matter and forms no part of the claimed design.

1 Claim, 3 Drawing Sheets



(56)

References Cited

OTHER PUBLICATIONS

“5oz/9oz Kid Kanteen Baby Bottles”. Found online Mar. 7, 2018 at amazon.com. Page dated Mar. 29, 2012. Retrieved from https://www.amazon.com/Klean-Kanteen-Stainless-Slow-Flow-Silicone/dp/B01MS19Q9R/ref=sr_1_6?ie=UTF8&qid=1520439992&sr=8-6&keywords=klean+kanteen+baby.*

“Tomme Tippee Closer to Nature 260ml Single Bottle”. Found online Mar. 7, 2018 at amazon.co.uk. Page dated Jan. 8, 2006. Retrieved from https://www.amazon.co.uk/Tomme-Tippee-Closer-Nature-Single/dp/B000HPRSQ2/ref=sr_1_1?s=baby&ie=UTF8&qid=1520439519&sr=1-1&keywords=tomme+tippee.*

* cited by examiner

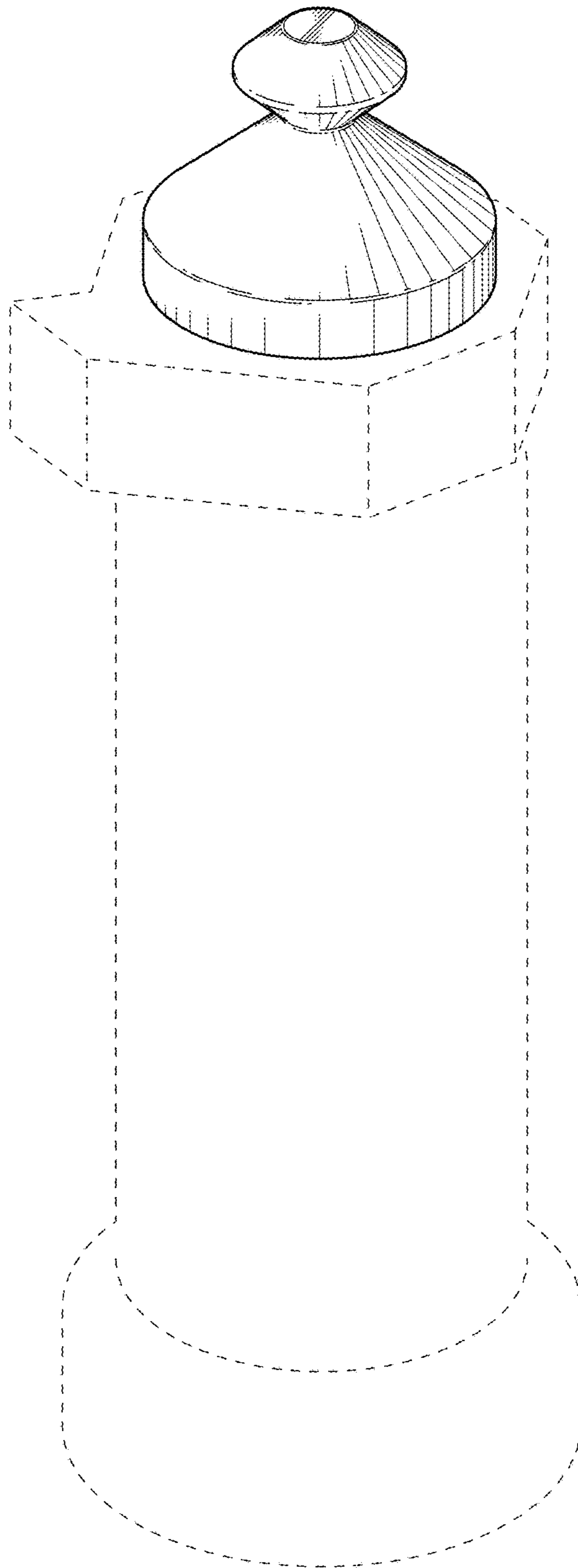


FIG. 1

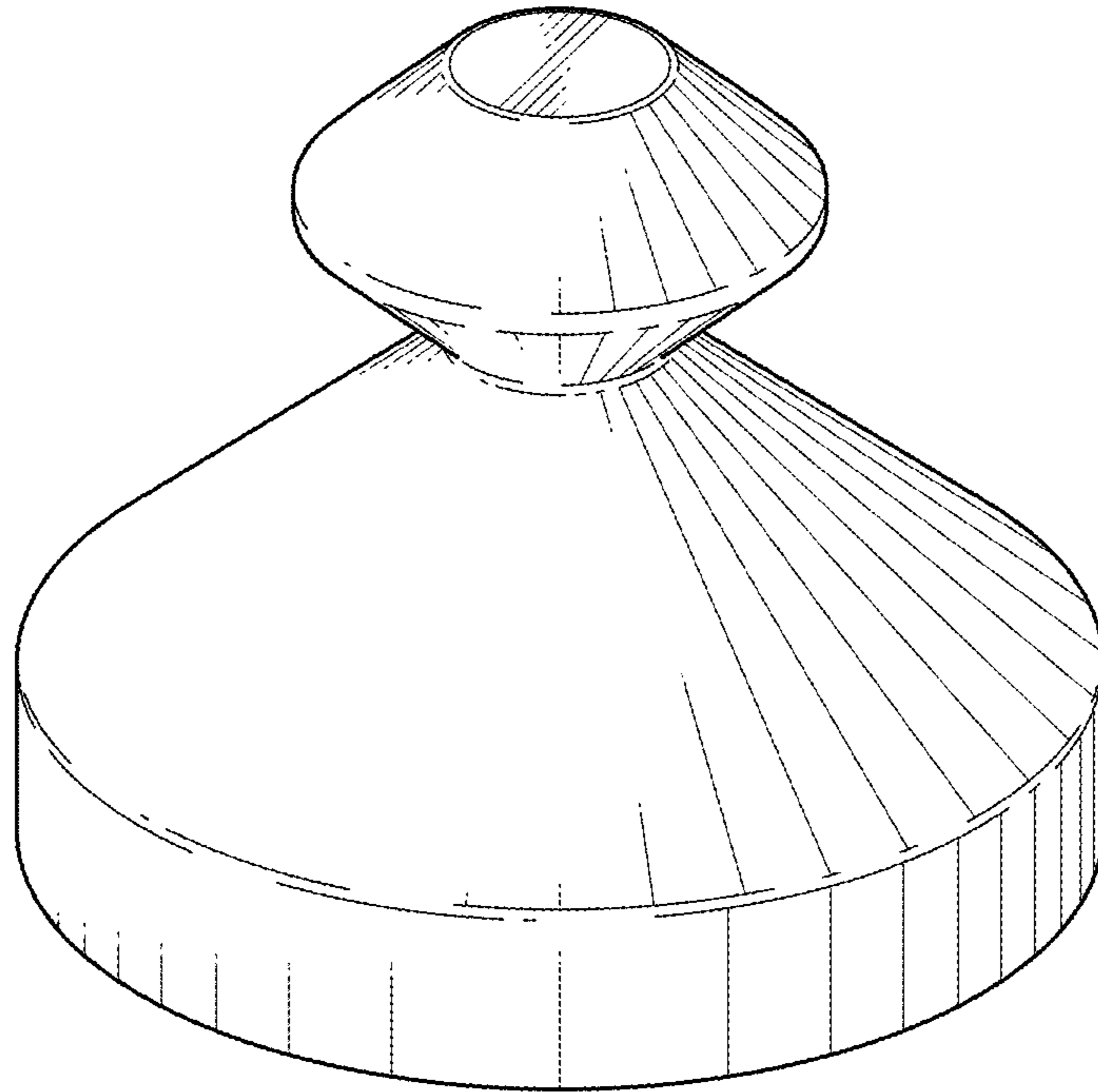


FIG. 2

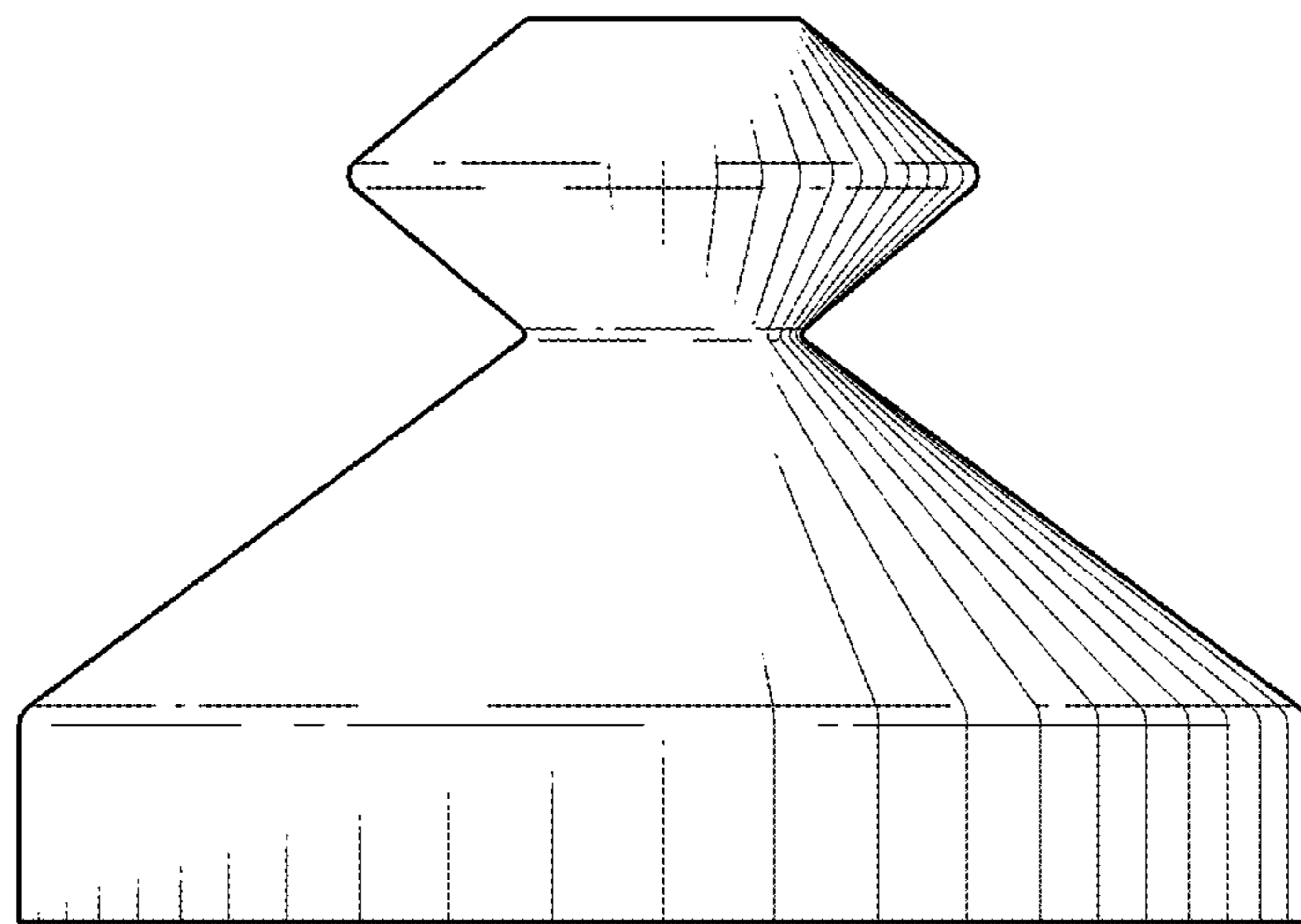


FIG. 3

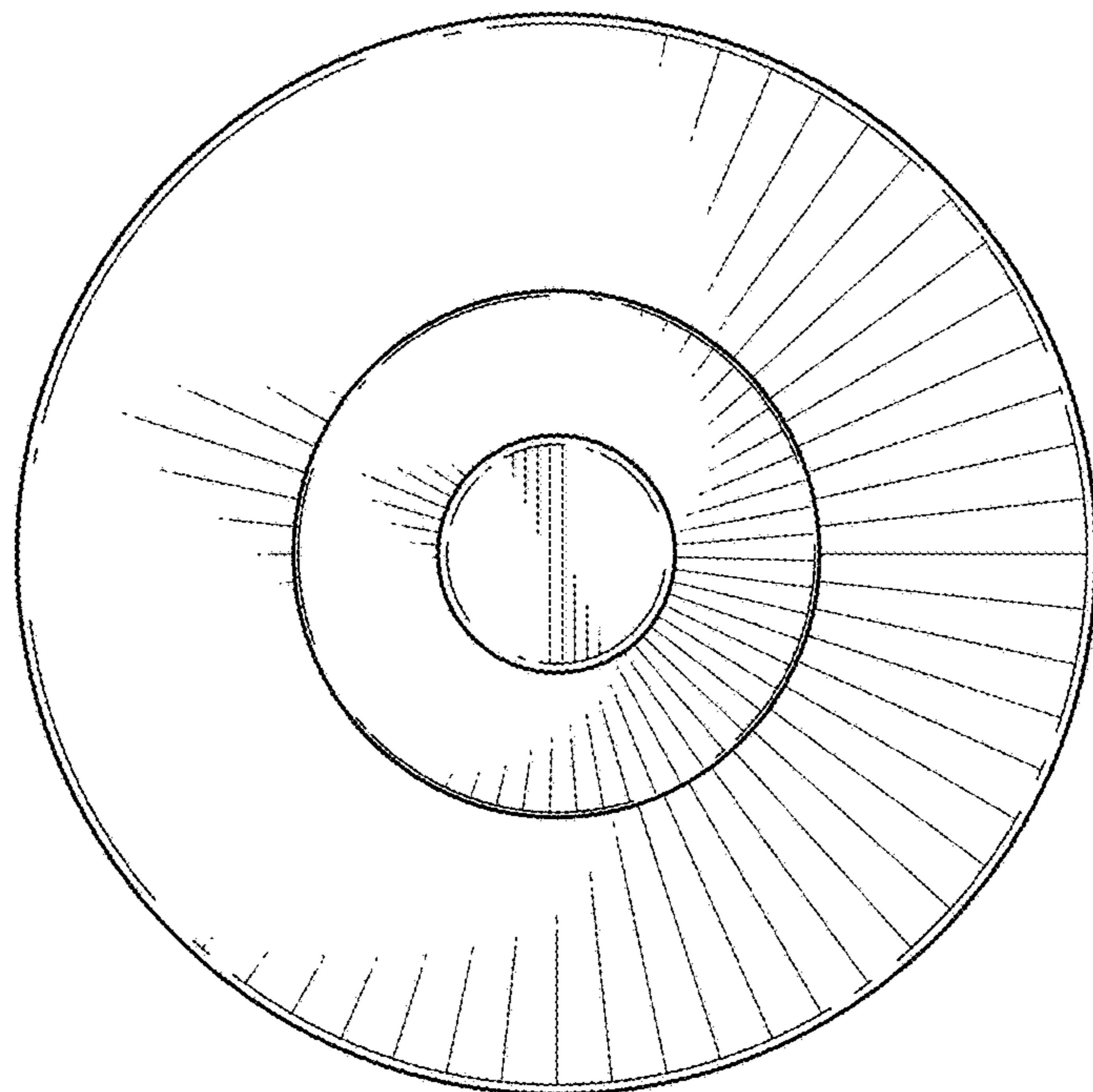


FIG. 4

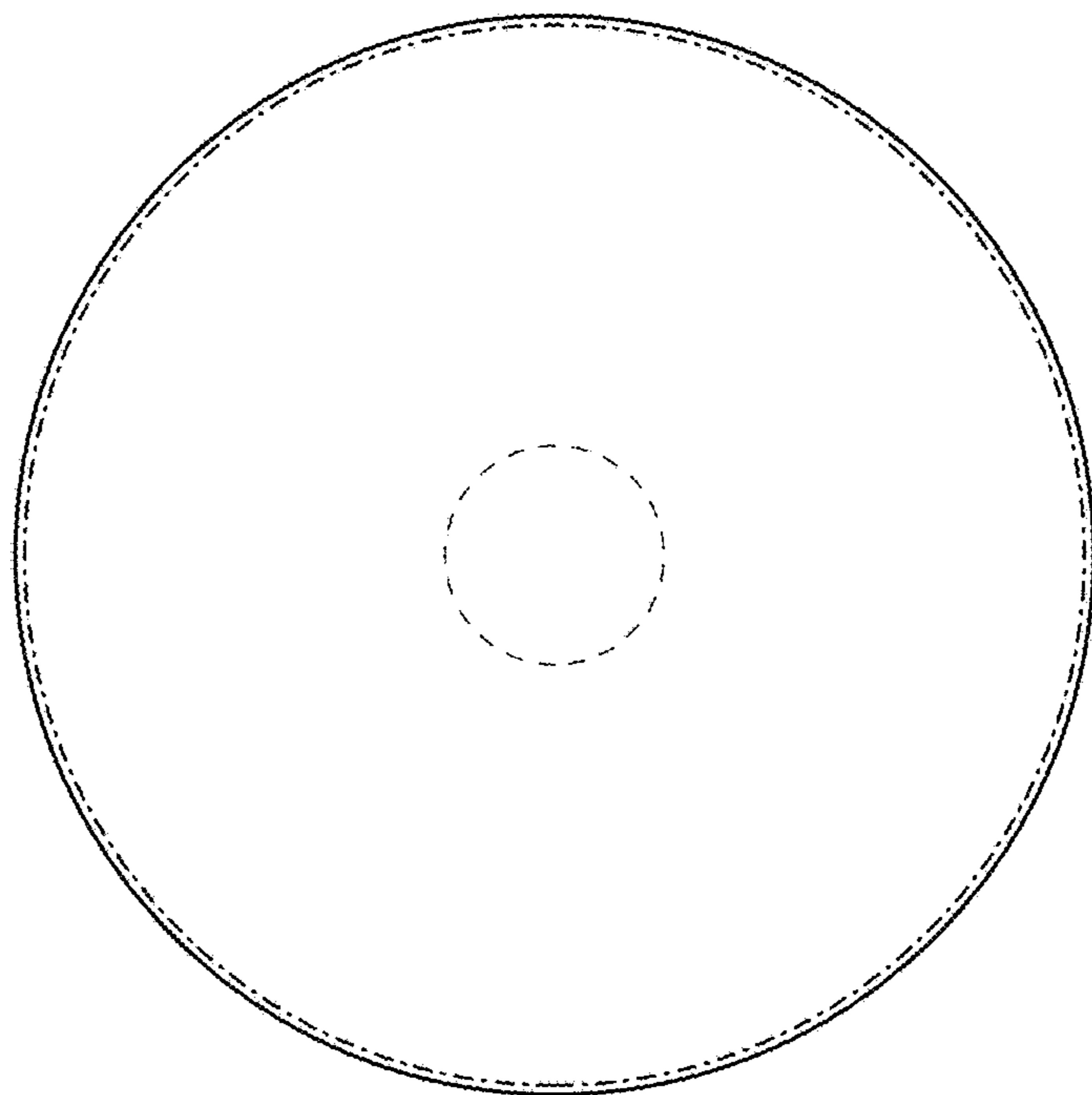


FIG. 5