



US00D835793S

(12) **United States Design Patent**  
**Zhuang**

(10) **Patent No.:** **US D835,793 S**

(45) **Date of Patent:** **\*\* Dec. 11, 2018**

- (54) **GEL TOE SEPARATOR**
- (71) Applicant: **Shenzhen Yibai Network Technology Co., Ltd.**, Shenzhen (CN)
- (72) Inventor: **Junchao Zhuang**, Shenzhen (CN)
- (73) Assignee: **SHENZHEN YIBAI NETWORK TECHNOLOGY CO., LTD.**, Shenzhen (CN)

- D632,013 S \* 2/2011 Irwin ..... D28/57
- D661,429 S \* 6/2012 Huthmaker ..... D24/192
- D707,362 S \* 6/2014 Cohen ..... D24/200
- D720,463 S \* 12/2014 Ferri ..... D24/188
- D734,547 S \* 7/2015 Nadjarian ..... D28/57
- 9,387,359 B2 \* 7/2016 Ferri ..... A61F 5/019
- 2005/0251081 A1 \* 11/2005 McClanahan ..... A61F 5/10  
602/30
- 2013/0079694 A1 \* 3/2013 Aquino ..... A61F 5/019  
602/30
- 2015/0057726 A1 \* 2/2015 Plass ..... A61F 7/10  
607/111

(\*\*) Term: **15 Years**

\* cited by examiner

(21) Appl. No.: **29/600,204**

*Primary Examiner* — Jennifer Rivard

(22) Filed: **Apr. 10, 2017**

(57) **CLAIM**

(51) **LOC (11) Cl.** ..... **28-03**

The ornamental design for a gel toe separator, as shown and described.

(52) **U.S. Cl.**

USPC ..... **D24/192; D28/57**

(58) **Field of Classification Search**

USPC ..... D28/56–57; D24/192  
CPC .. A61F 13/068; A61F 5/0111; A61F 5/05875;  
A45D 29/22; A45D 29/00

See application file for complete search history.

**DESCRIPTION**

FIG. 1 is a perspective view of a gel toe separator, showing my new design.

FIG. 2 is a second perspective view thereof.

FIG. 3 is a third perspective view thereof.

FIG. 4 is a front elevational view thereof.

FIG. 5 is a rear elevational view thereof.

FIG. 6 is a left side elevational view thereof.

FIG. 7 is a right side elevational view thereof.

FIG. 8 is a top plan view thereof; and,

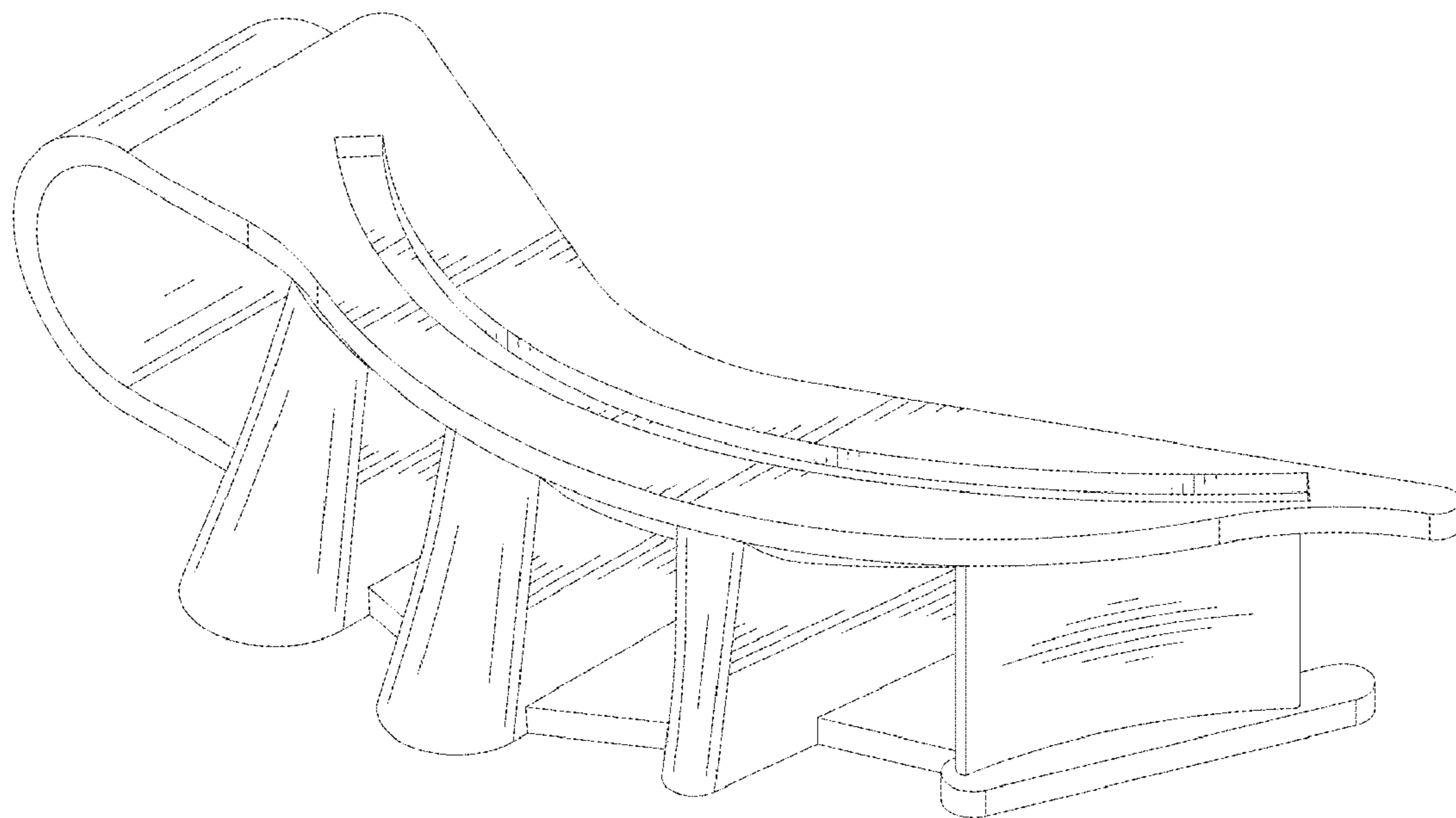
FIG. 9 is a bottom plan view thereof.

(56) **References Cited**

**U.S. PATENT DOCUMENTS**

- D439,704 S \* 3/2001 Ikeda ..... D28/57
- D595,897 S \* 7/2009 Moldauer ..... D28/56
- D600,818 S \* 9/2009 Yang ..... D24/215
- D612,946 S \* 3/2010 Ferri ..... D24/200

**1 Claim, 9 Drawing Sheets**



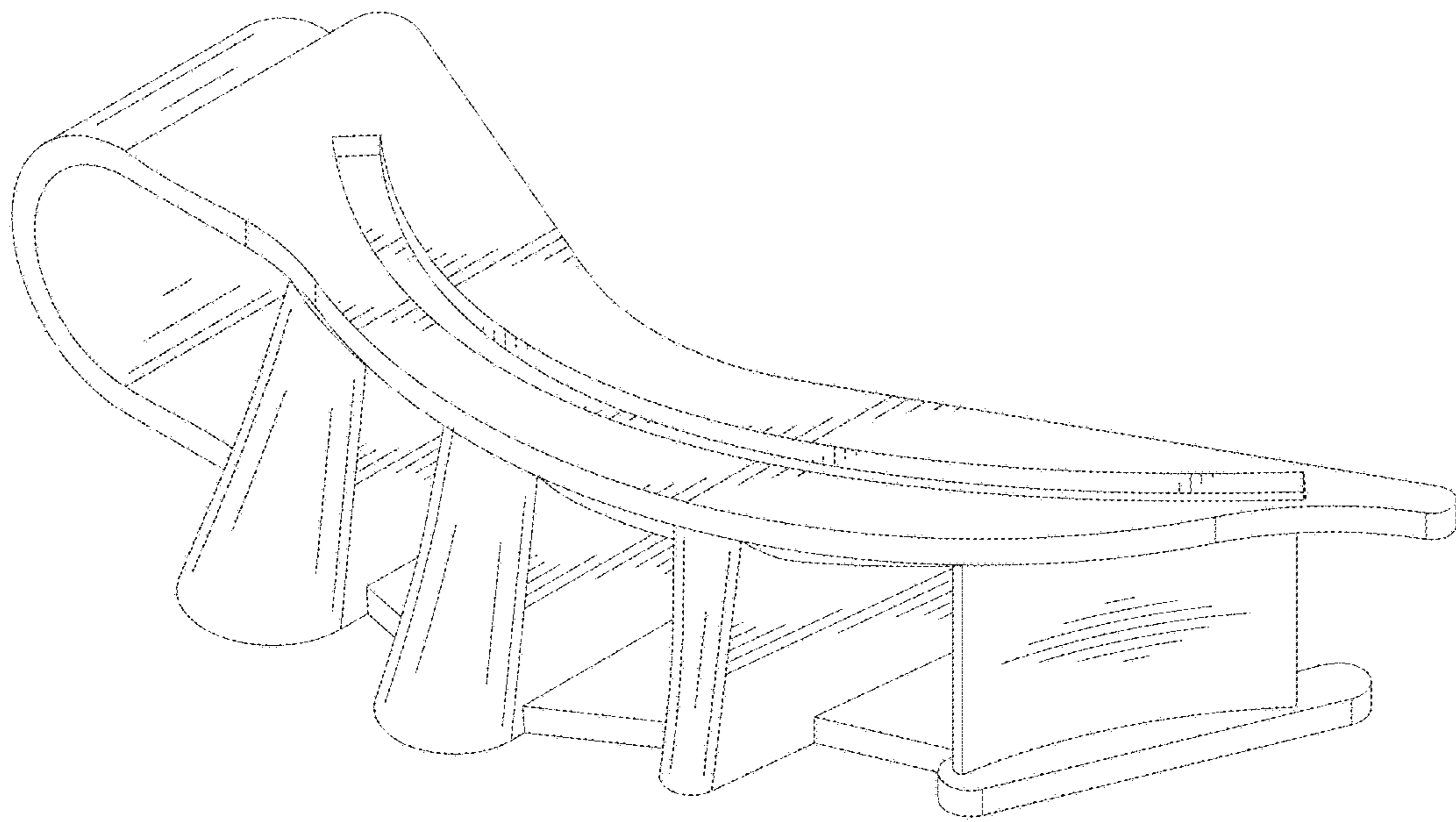


FIG.1

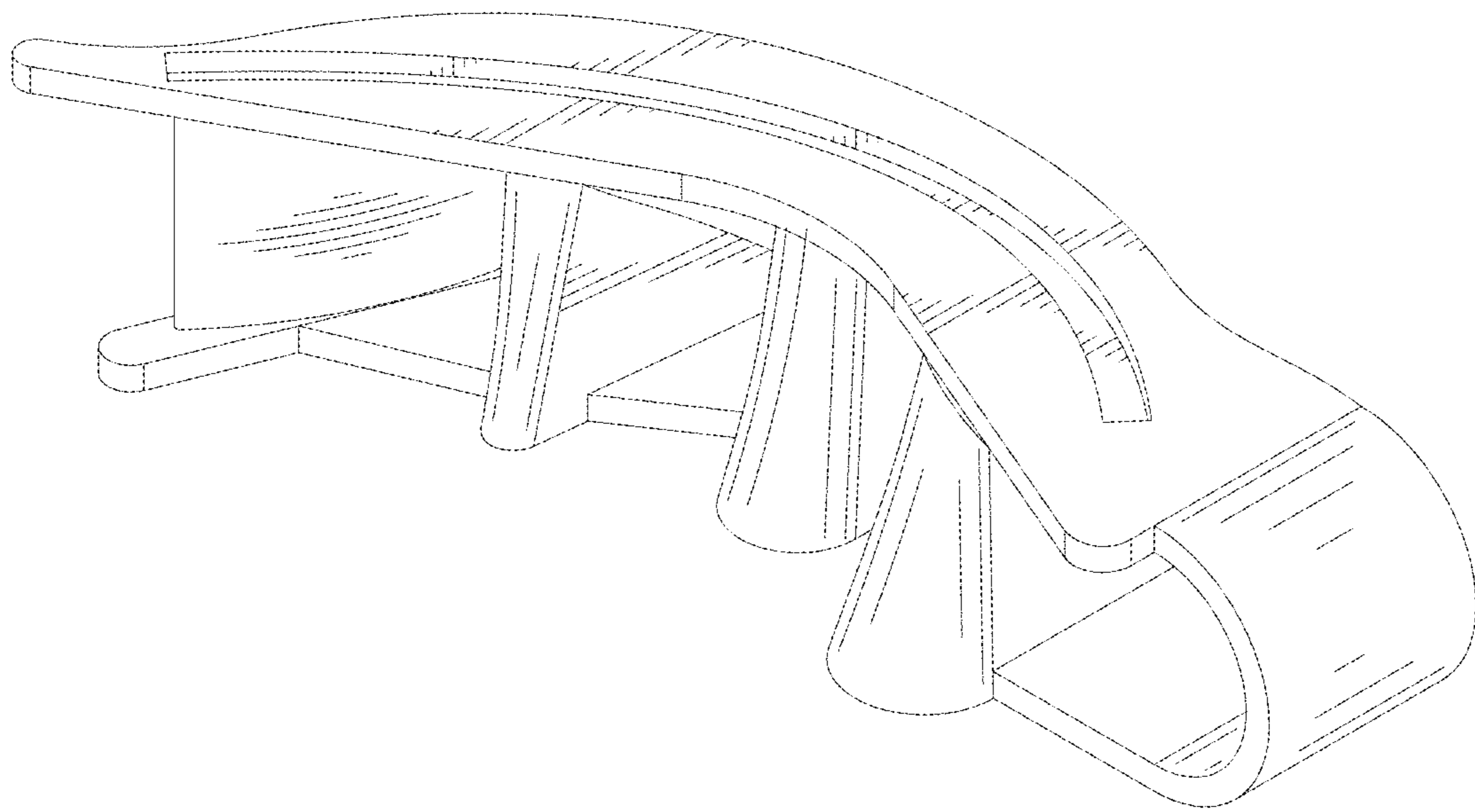


FIG.2

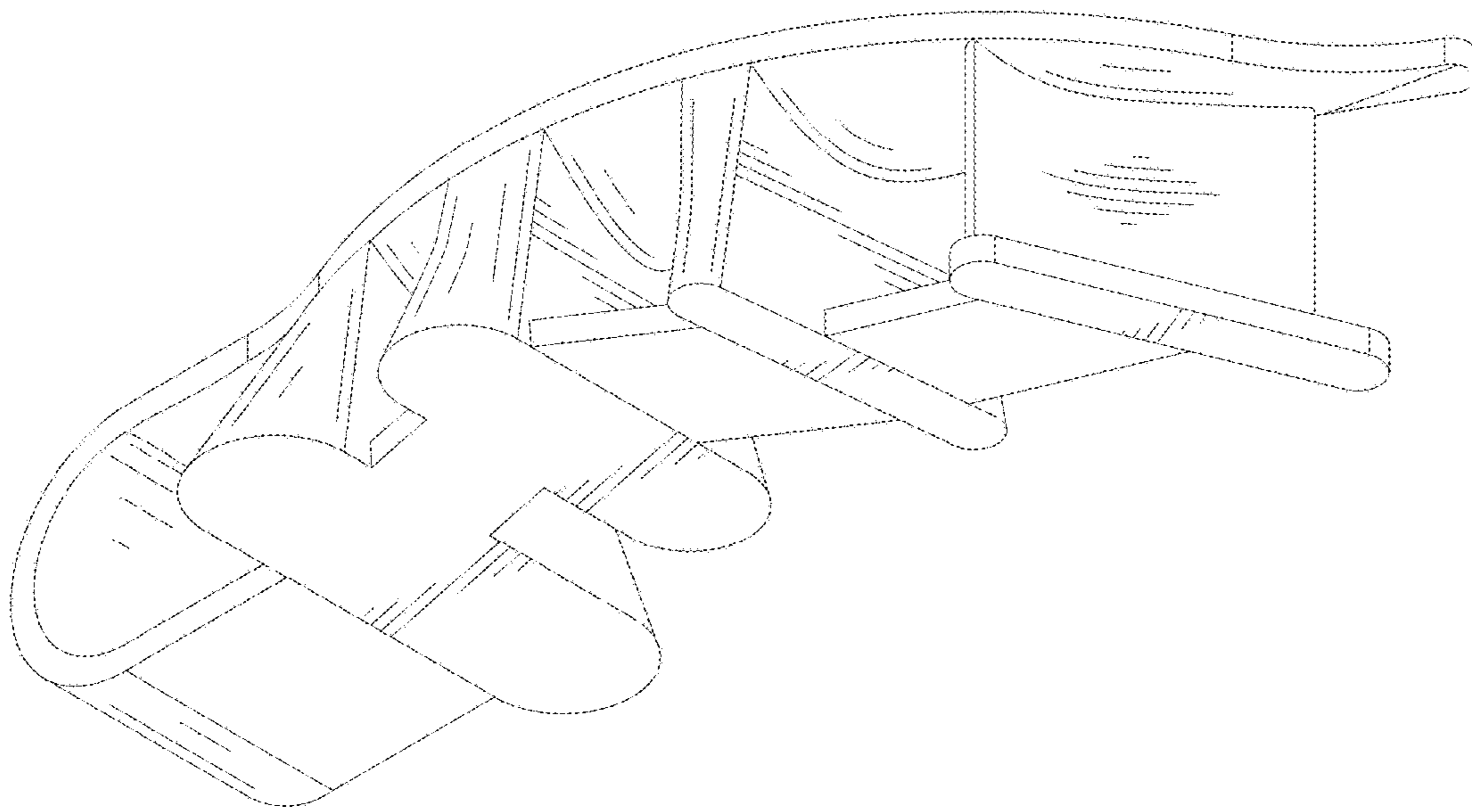


FIG.3

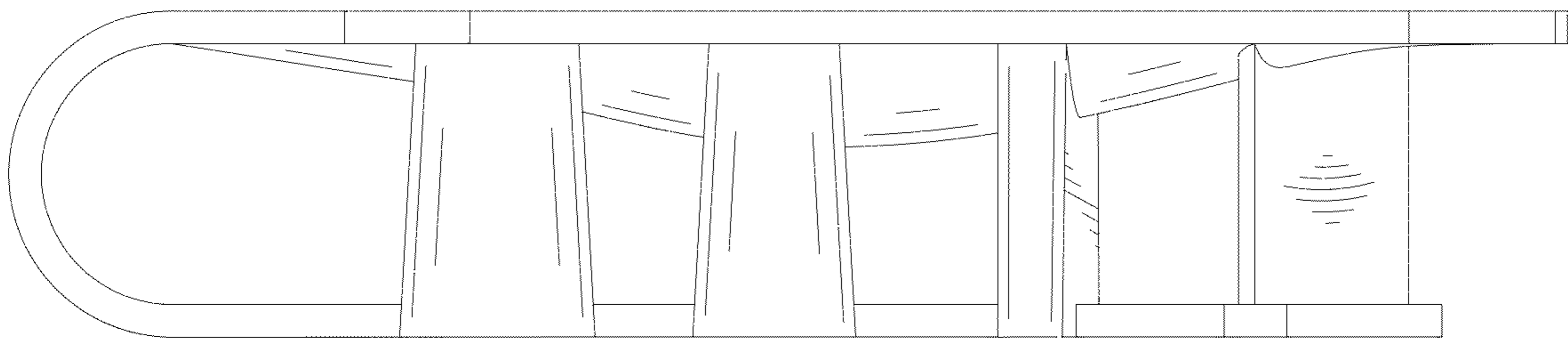


FIG.4

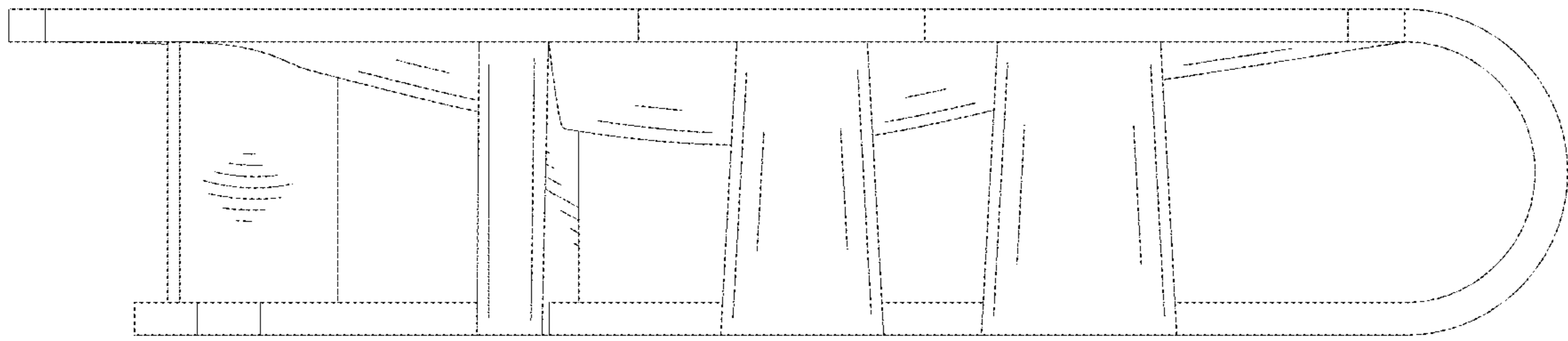


FIG.5

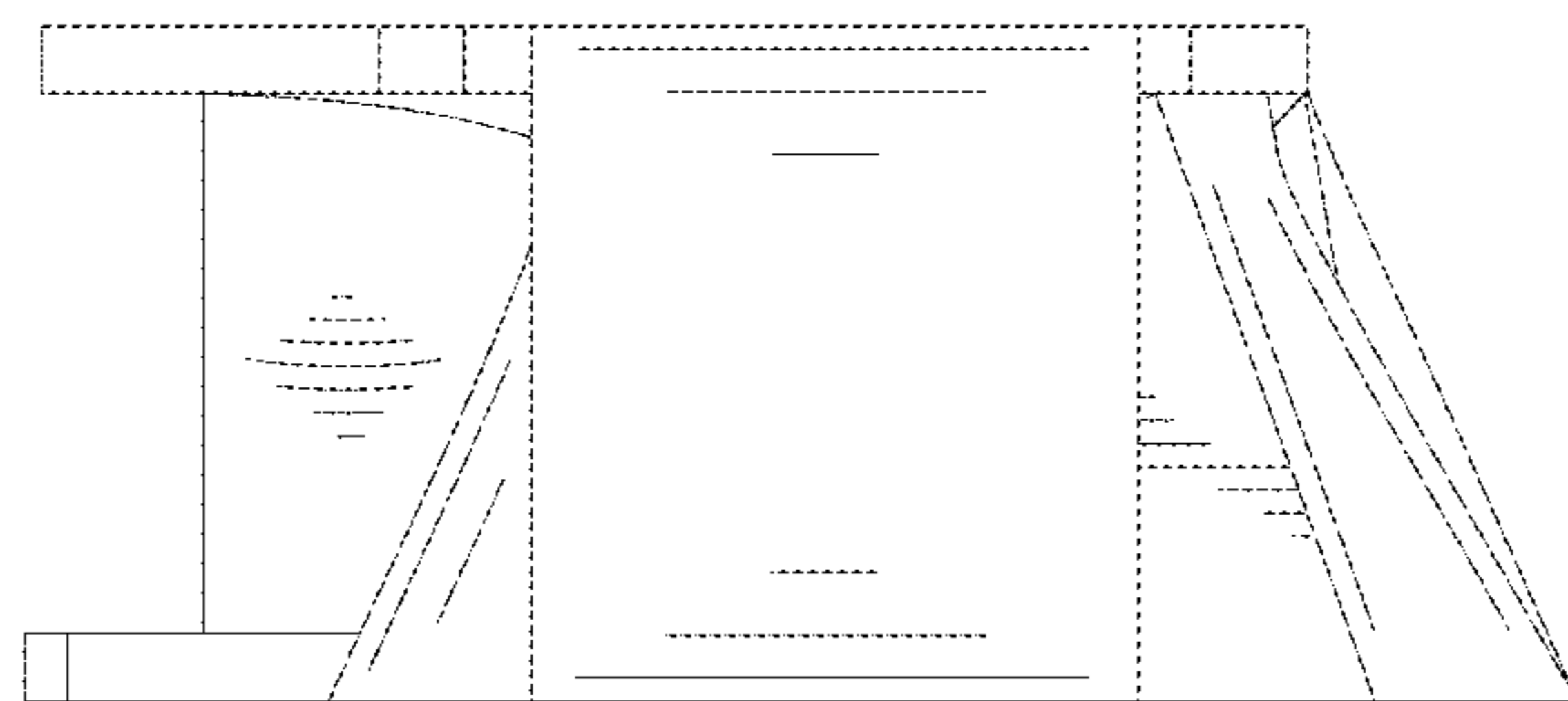


FIG.6

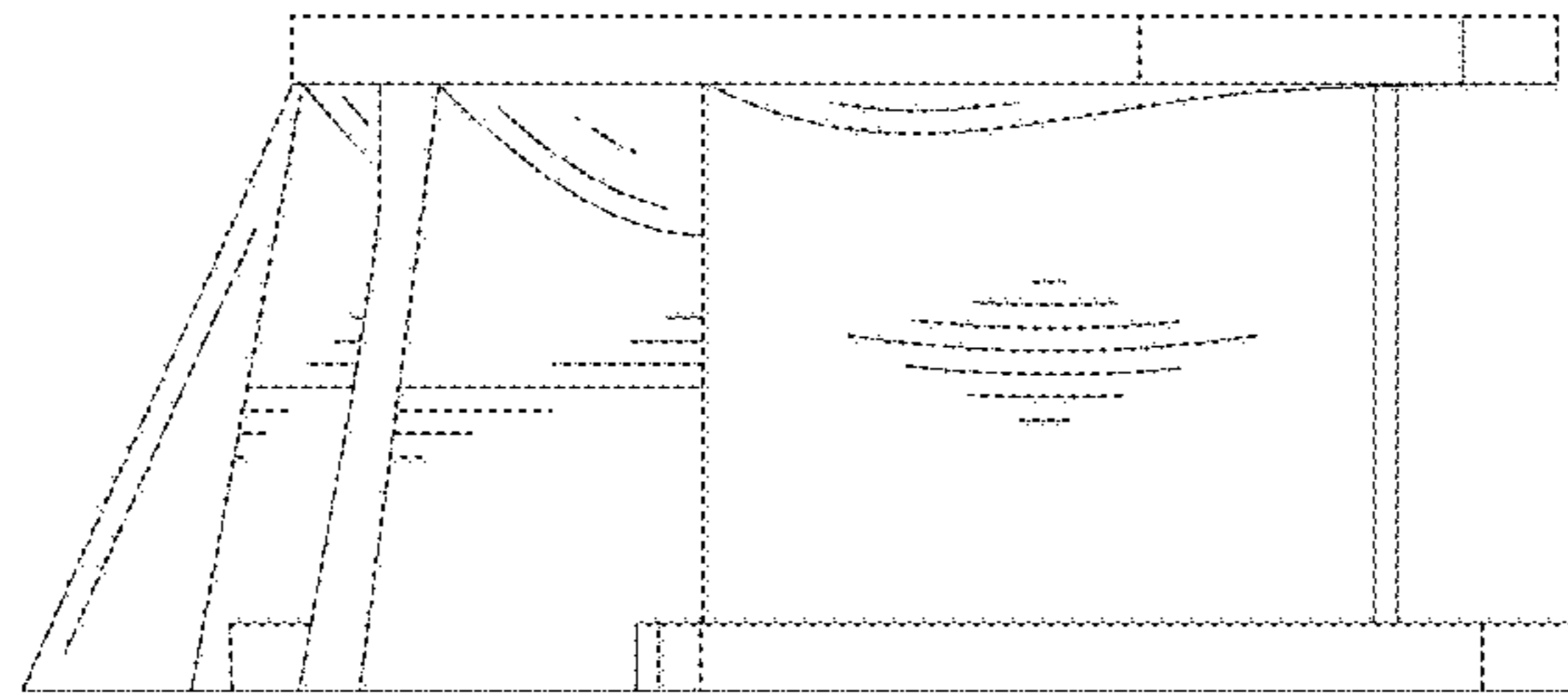


FIG.7



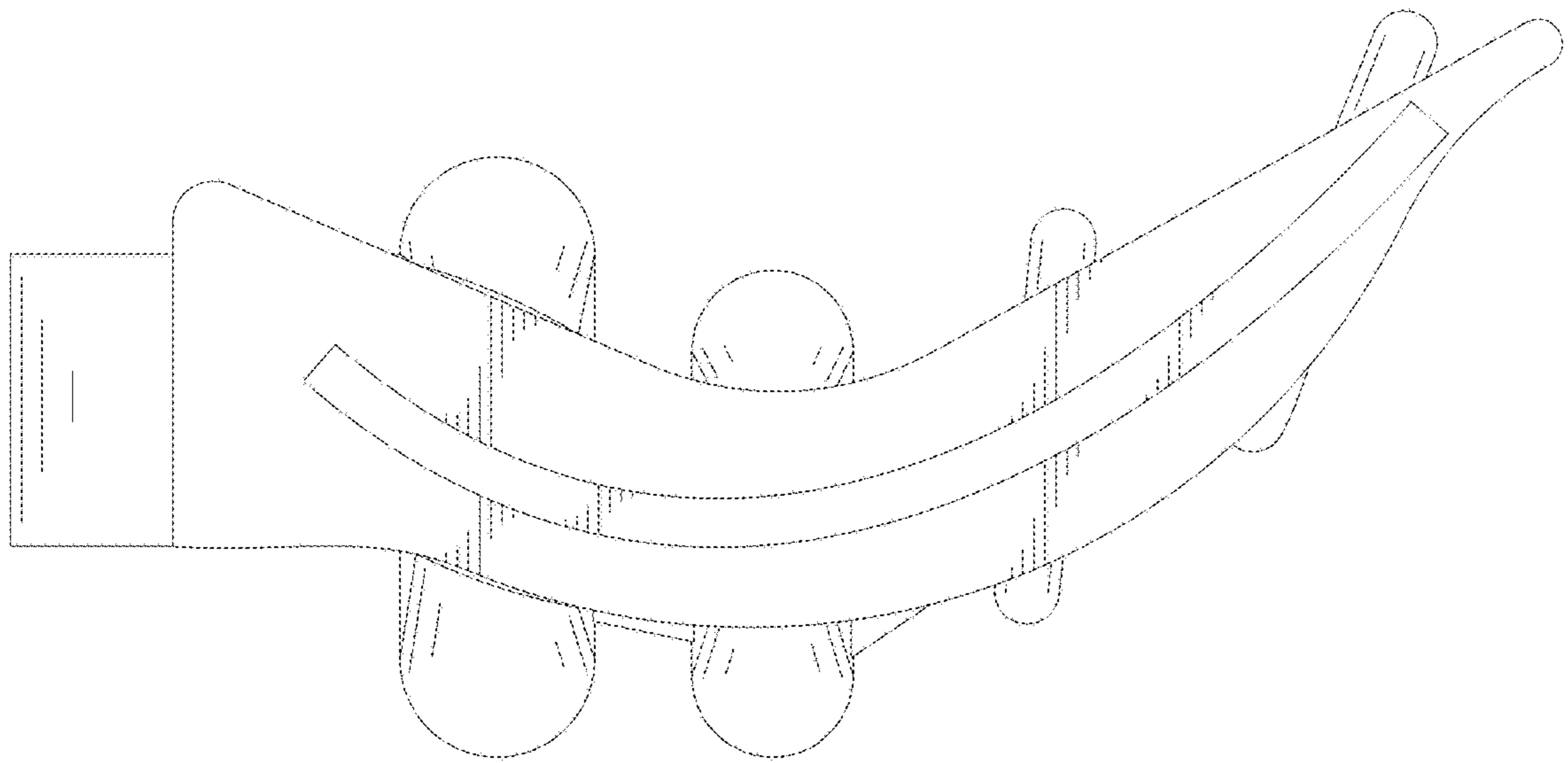


FIG.8

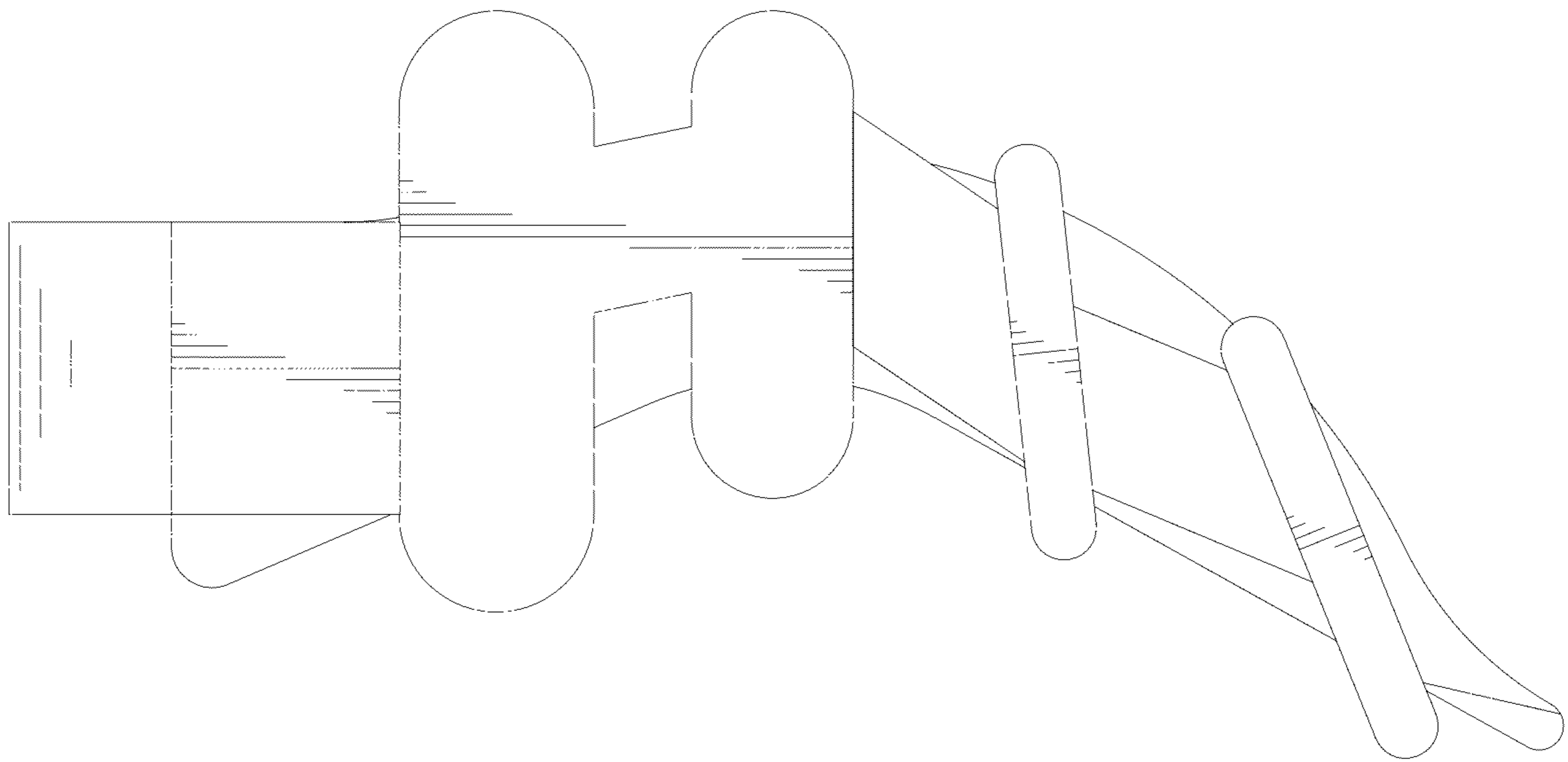


FIG.9