



US00D835792S

(12) **United States Design Patent**
Erwin et al.

(10) **Patent No.:** **US D835,792 S**

(45) **Date of Patent:** **** Dec. 11, 2018**

(54) **BRACE**

(71) Applicant: **Ortho Systems**, Agoura Hills, CA (US)

(72) Inventors: **Edwin Erwin**, Studio City, CA (US);
Zhuang Shao, Los Angeles, CA (US);
Kenji Watabe, Ventura, CA (US);
Tracy E. Grim, Thousand Oaks, CA (US)

(73) Assignee: **ORTHO SYSTEMS**, Agoura, CA (US)

(**) Term: **15 Years**

(21) Appl. No.: **29/576,177**

(22) Filed: **Aug. 31, 2016**

(51) **LOC (11) Cl.** **24-02**

(52) **U.S. Cl.**
USPC **D24/190**

(58) **Field of Classification Search**
USPC D24/155, 188–192, 199, 200, 206,
D24/212–214; D29/113, 117.1, 117.2,
(Continued)

(56) **References Cited**

U.S. PATENT DOCUMENTS

1,627,382 A 5/1927 Golomb
3,327,703 A 6/1967 Gamm
(Continued)

FOREIGN PATENT DOCUMENTS

EP 2453849 A1 5/2012
JP 2003522594 A 7/2003
(Continued)

OTHER PUBLICATIONS

Better Braces. Aircast—Wrist Brace with Thumb Spica. Apr. 7, 2013 [earliest online date], [site visited May 14, 2018]. Available

from Internet, <URL:https://www.betterbraces.com/a2-wrist-brace-with-thumb-spica>. (Year: 2013).*

(Continued)

Primary Examiner — George D. Kirschbaum

Assistant Examiner — Darcey E Heflin

(74) *Attorney, Agent, or Firm* — Fulwider Patton LLP

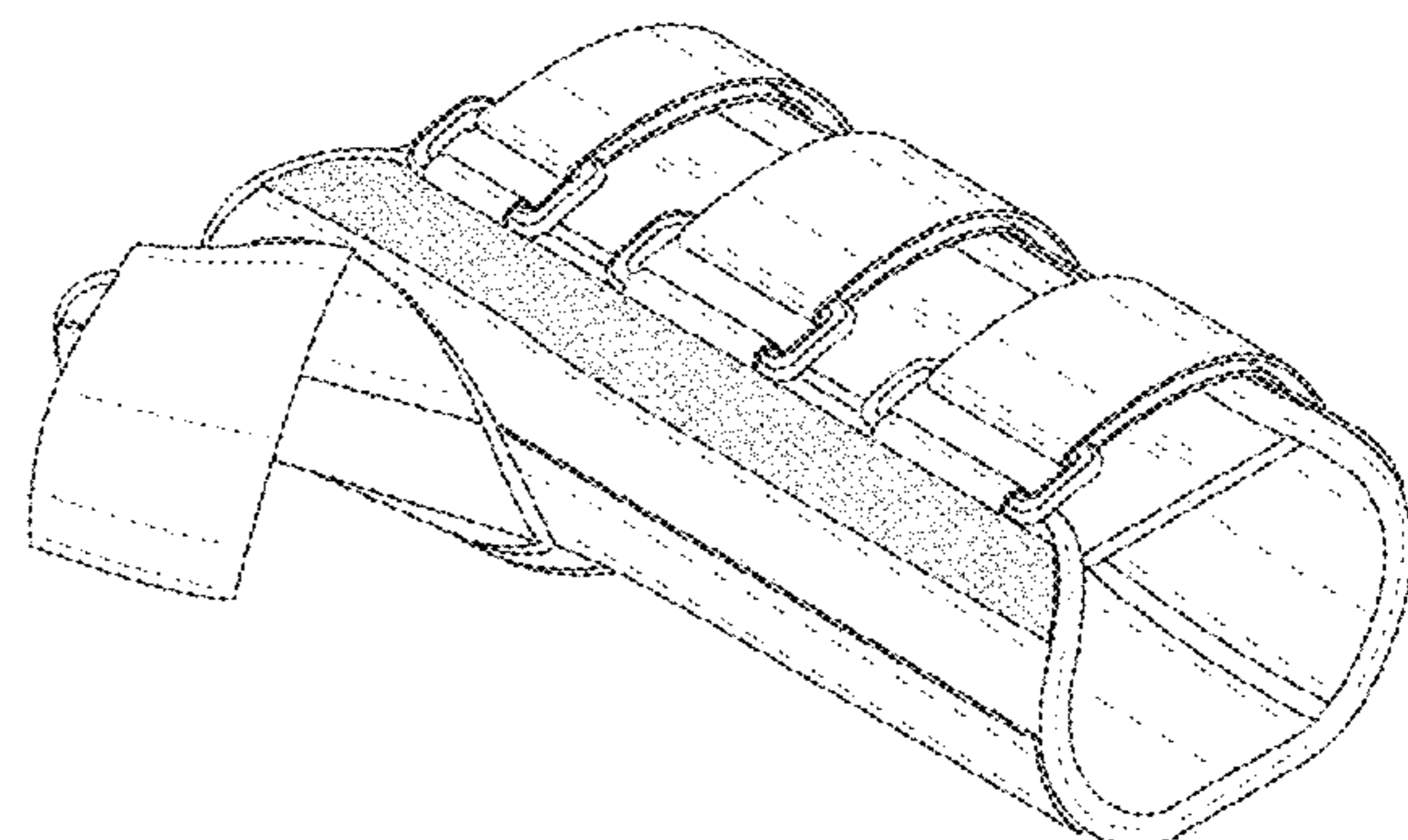
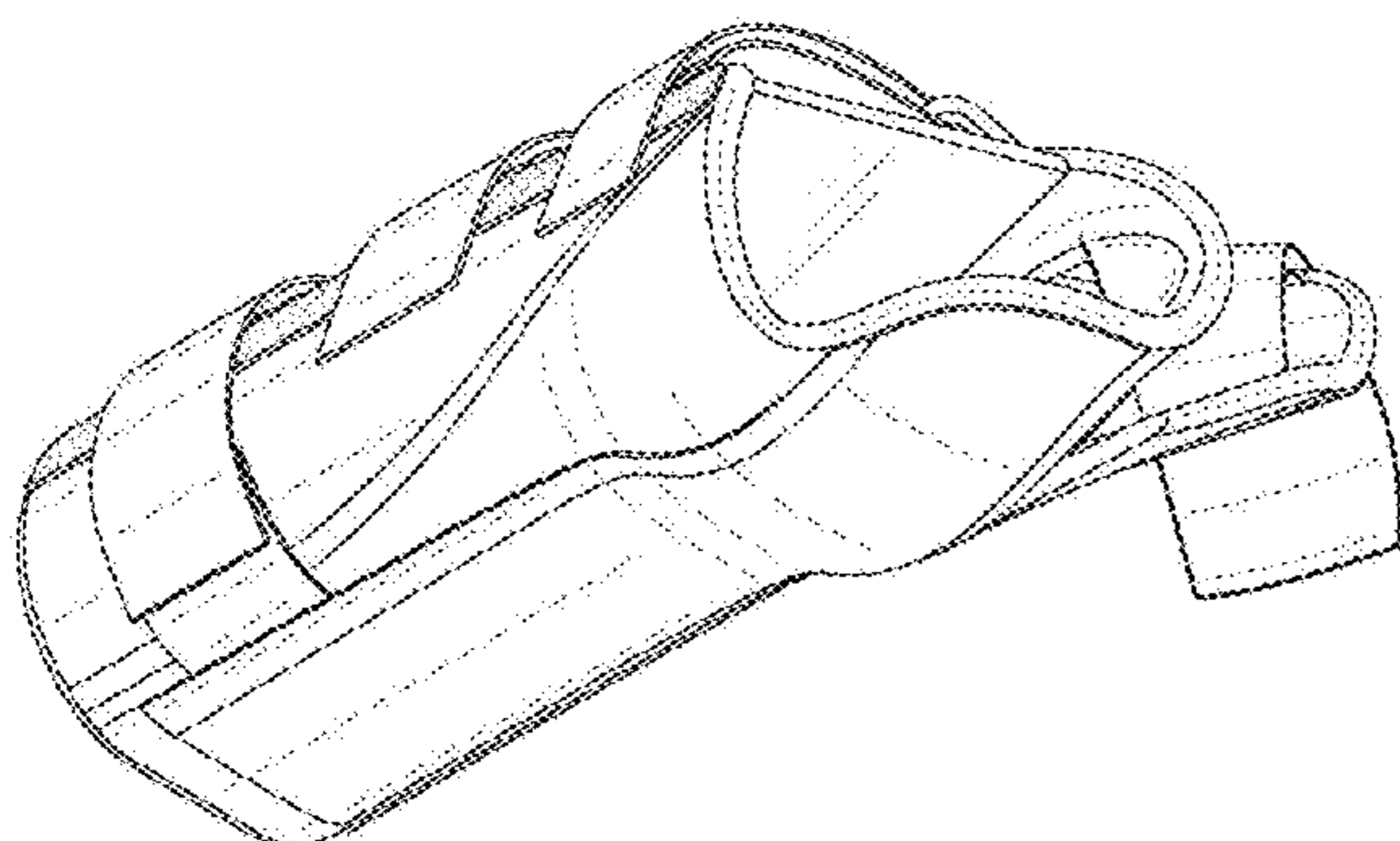
(57) **CLAIM**

The ornamental design for a brace, as shown and described.

DESCRIPTION

FIG. 1 is a bottom left perspective view of the first embodiment of a brace showing our new design;
FIG. 2 is a top right perspective view of the design shown in FIG. 1;
FIG. 3 is a top view of the design shown in FIG. 1;
FIG. 4 is a bottom view of the design shown in FIG. 1;
FIG. 5 is a right side view of the design shown in FIG. 1;
FIG. 6 is left side view of the design shown in FIG. 1;
FIG. 7 is front view of the design shown in FIG. 1;
FIG. 8 is back view of the design shown in FIG. 1
FIG. 9 is a bottom left perspective view of the second embodiment of a brace showing our new design;
FIG. 10 is a top right perspective view of the design shown in FIG. 9;
FIG. 11 is a top view of the design shown in FIG. 9;
FIG. 12 is a bottom view of the design shown in FIG. 9;
FIG. 13 is a right side view of the design shown in FIG. 9;
FIG. 14 is left side view of the design shown in FIG. 9;
FIG. 15 is front view of the design shown in FIG. 9; and,
FIG. 16 is back view of the design shown in FIG. 9.
The broken lines shown in the drawings represent unclaimed portions of the brace and form no part of the claimed design.

1 Claim, 8 Drawing Sheets



(58) **Field of Classification Search**
 USPC D29/118, 119, 120.1, 121.1, 121.2, 123;
 D2/610, 612, 616, 617, 621, 980,
 D2/983-988, 994
 CPC ... A61F 5/00; A61F 5/0118; A61F 2005/0186
 See application file for complete search history.

(56) **References Cited**

U.S. PATENT DOCUMENTS

4,193,135	A	3/1980	Rhee	
4,438,532	A	3/1984	Campanella et al.	
4,561,122	A	12/1985	Stanley et al.	
4,709,694	A	12/1987	O'Connell	
D295,897	S *	5/1988	Thimm-Kelly 473/62
4,779,289	A	10/1988	Prouty	
4,852,557	A	8/1989	Grim	
4,893,616	A	1/1990	Gibaud	
4,964,402	A	10/1990	Grim et al.	
4,996,979	A	3/1991	Grim	
5,014,689	A	5/1991	Meunchen et al.	
5,058,576	A	10/1991	Grim et al.	
5,445,602	A	8/1995	Grim et al.	
5,551,950	A	9/1996	Oppen	
5,572,738	A	11/1996	Melone, Jr.	
5,675,839	A	10/1997	Gordon et al.	
5,713,837	A	2/1998	Grim et al.	
D392,072	S *	3/1998	Levine D29/120.1
5,772,619	A	6/1998	Corbett	
5,836,902	A	11/1998	Gray	
5,925,010	A	7/1999	Caprio, Jr.	
5,971,946	A	10/1999	Quinn et al.	
5,980,476	A	11/1999	Wiederrich	
6,085,354	A	7/2000	Wilder et al.	
6,126,625	A	10/2000	Lundberg	
D438,625	S *	3/2001	Kellogg D24/190
D441,082	S *	4/2001	Ruscitti D24/190
6,279,159	B1	8/2001	Ahlbaumer	
D456,081	S *	4/2002	Bell D24/190
6,482,167	B2	11/2002	Grim et al.	
6,496,984	B1	12/2002	Chow	
6,572,571	B2	6/2003	Lowe	
D477,088	S *	7/2003	Brown A61F 5/0118 D24/190
D477,409	S *	7/2003	Mills D24/190
D477,410	S *	7/2003	Wiggins D24/190
6,691,315	B1	2/2004	Clarke et al.	
6,721,960	B1	4/2004	Levesque et al.	
D496,465	S *	9/2004	Weaver, II D24/190
D528,214	S *	9/2006	Binet D24/190
7,469,426	B2	12/2008	Roeckl	
D645,564	S *	9/2011	Hinds D24/190
2005/0121562	A1	6/2005	Baumgardner	
2005/0234374	A1 *	10/2005	Grim A61F 5/0118 602/6

2005/0273030	A1	12/2005	Koby et al.	
2007/0100266	A1	5/2007	Hargrave	
2007/0157364	A1	7/2007	Comstock et al.	
2008/0319362	A1	12/2008	Joseph	
2009/0012438	A1	1/2009	Frangi	
2010/0094189	A1	4/2010	Ingimundarson et al.	
2011/0066095	A1	3/2011	Price et al.	
2011/0146032	A1	6/2011	Hu et al.	
2012/0179081	A1	7/2012	Anglada	
2017/0135840	A1 *	5/2017	Williams A61F 5/0118
2017/0143526	A1 *	5/2017	Gaylord A61F 5/0118
2017/0354528	A1 *	12/2017	Lane A61F 5/0118
2018/0055672	A1 *	3/2018	Erwin A61F 5/0118

FOREIGN PATENT DOCUMENTS

JP	2004533286	A	11/2004
JP	2009513262	A	4/2009
WO	1992019196	A1	11/1992
WO	1995031950	A1	11/1995
WO	2001060289	A1	8/2001
WO	2002078579	A1	10/2002
WO	2007050703	A2	3/2007
WO	2007050703	A2	5/2007
WO	2011007103	A1	1/2011

OTHER PUBLICATIONS

Walmart. Comfort Foam Wrist Splint with Thumb Abduction Brace (Small Left). Jun. 11, 2014 [earliest online date], [site visited May 14, 2018]. Available from Internet, <URL:https://www.walmart.com/ip/Comfort-Foam-Wrist-Splint-With-Thumb-Abduction-Brace-Small-Left/28356893>. (Year: 2014).*

EP Search Report and Search Opinion dated Dec. 5, 2014 regarding EP11815168.7.

Australian Examination Report No. 1 dated May 19, 2014, regarding Australian Application AU2011285940.

Australian Examination Report No. 2 dated Apr. 19, 2015, regarding Australian Application AU2011285940.

Notice of Reasons for Rejection dated May 25, 2015 regarding JPA2013523265.

Australian Examination Report No. 3 dated Sep. 3, 2015, regarding Australian Application AU2011285940.

Japan Decision for Refusal dated Nov. 2, 2015, regarding Japanese Application No. 2013-523265 and English translation.

International Preliminary Report on Patentability dated Feb. 5, 2013, and Written Opinion dated Nov. 25, 2011, regarding PCT/US2011/046226.

International Search Report dated dated Nov. 25, 2011, regarding PCT/US2011/046226.

Australian Examination Report No. 1 dated Oct. 3, 2016, regarding AU2016200934.

* cited by examiner

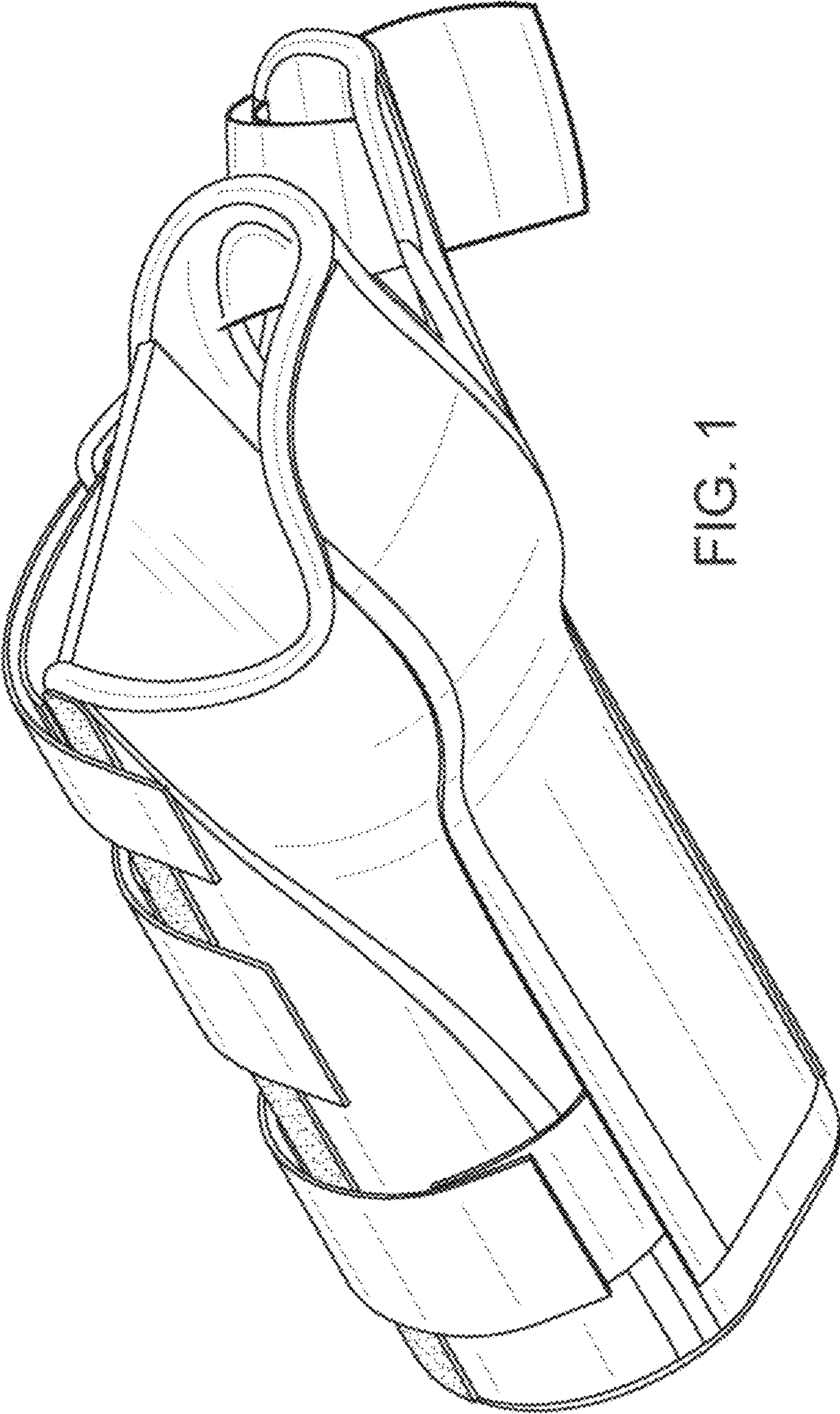


FIG. 1

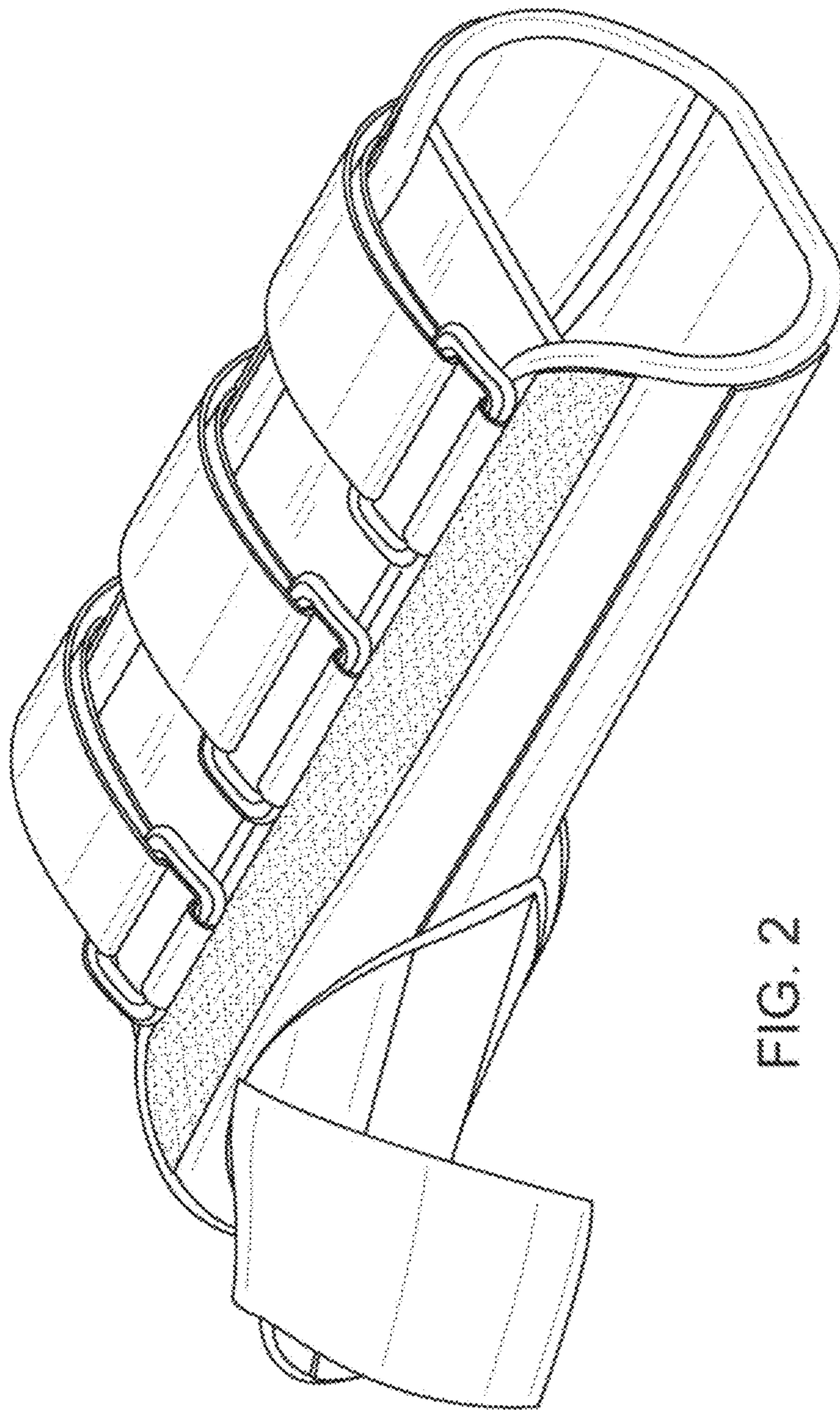


FIG. 2

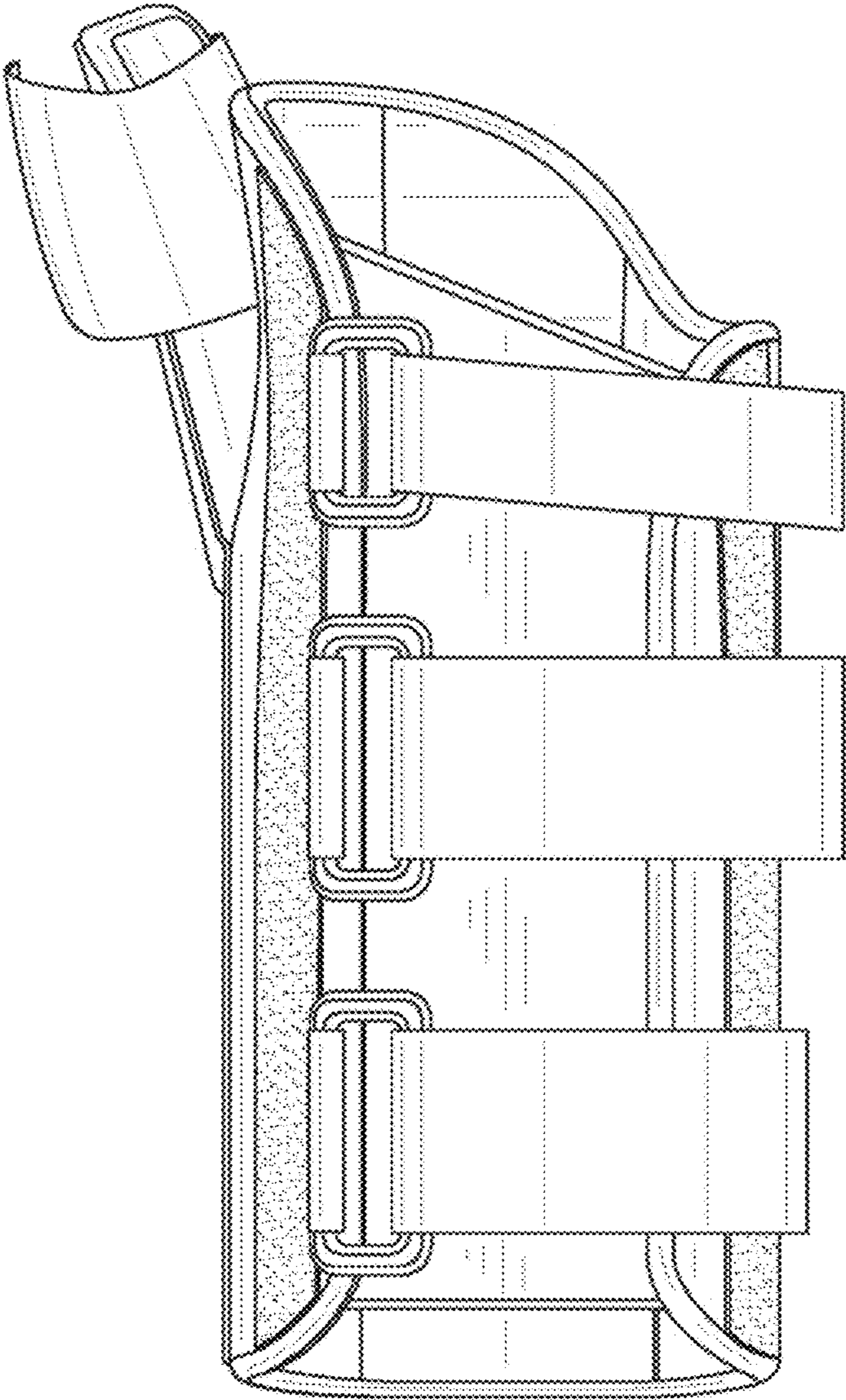


FIG. 3

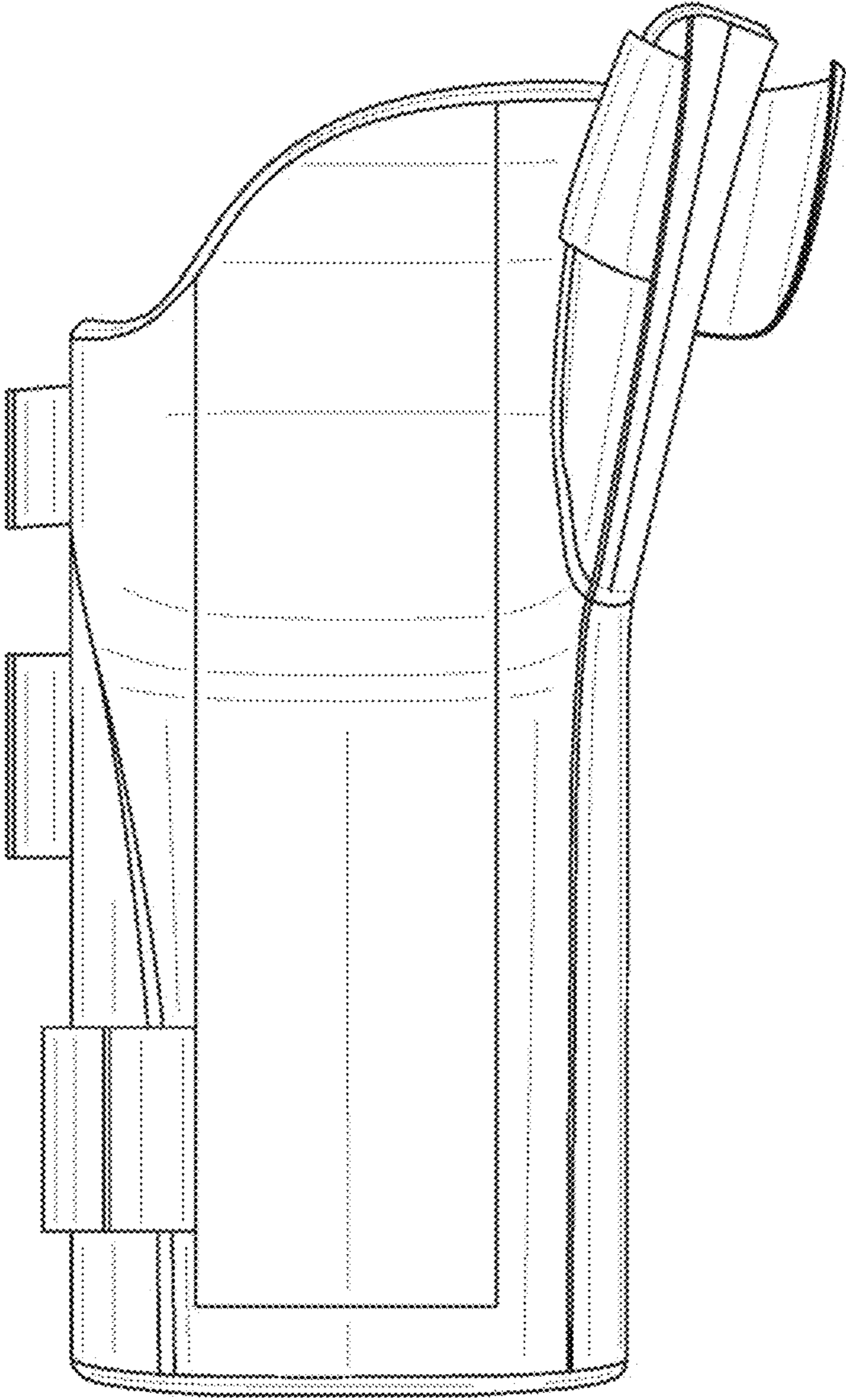


FIG. 4

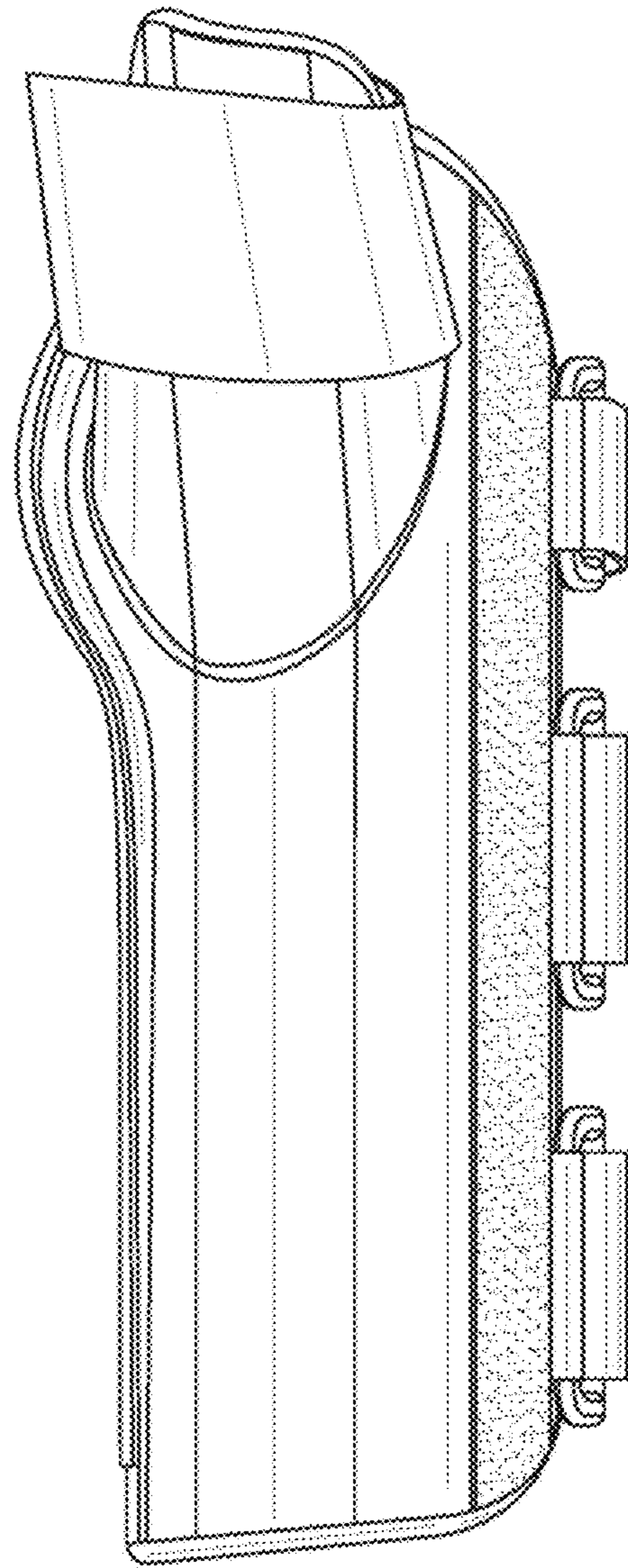


FIG. 5

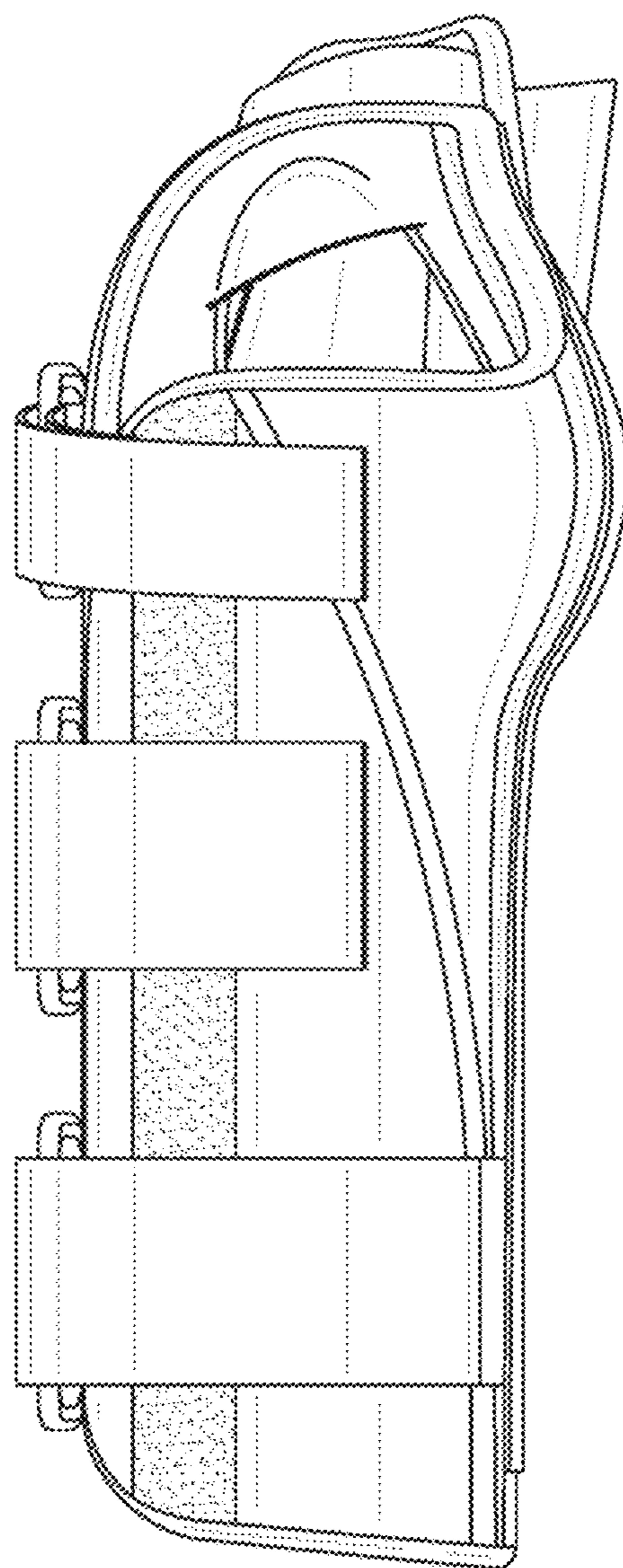


FIG. 6

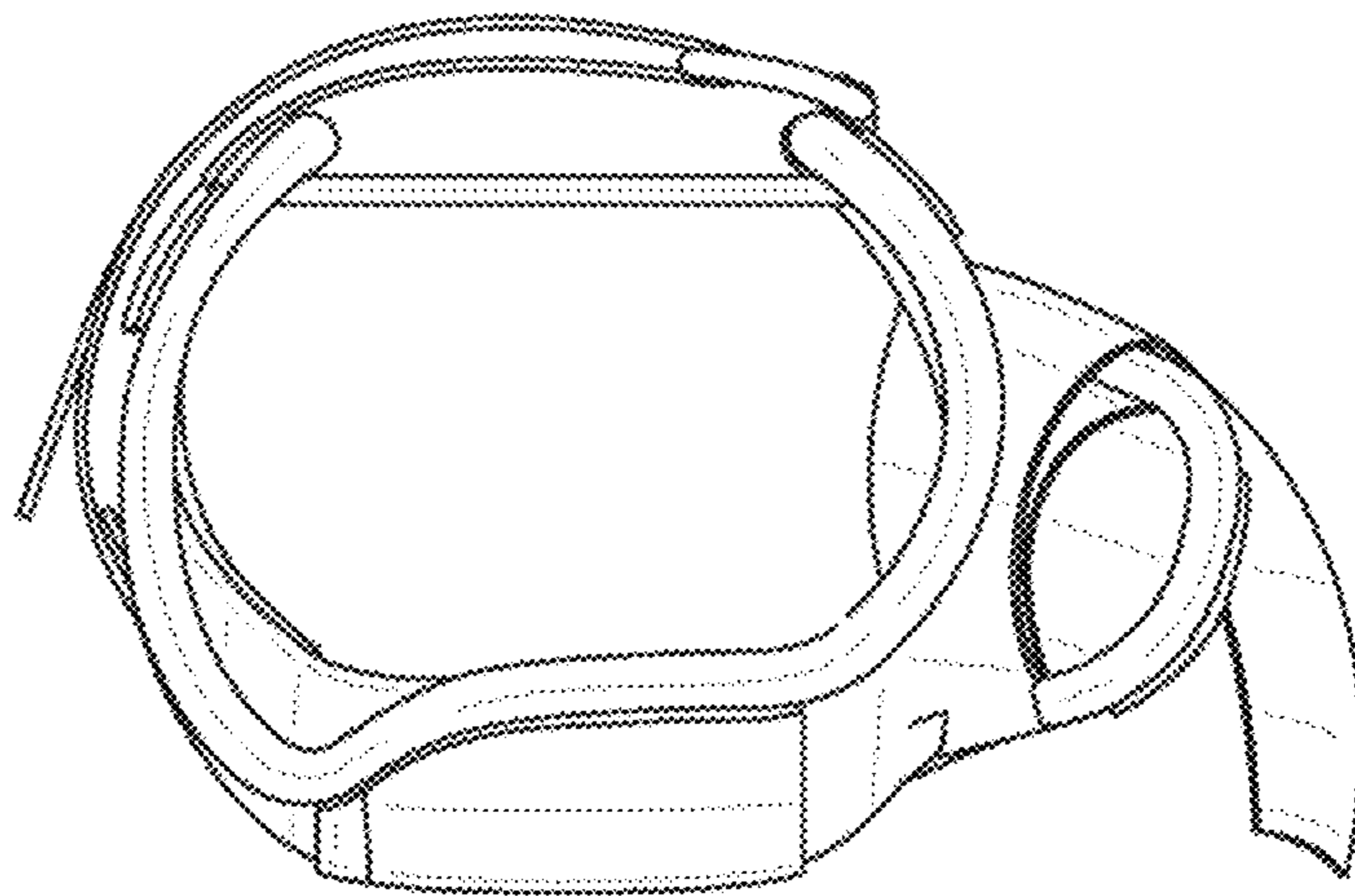


FIG. 7

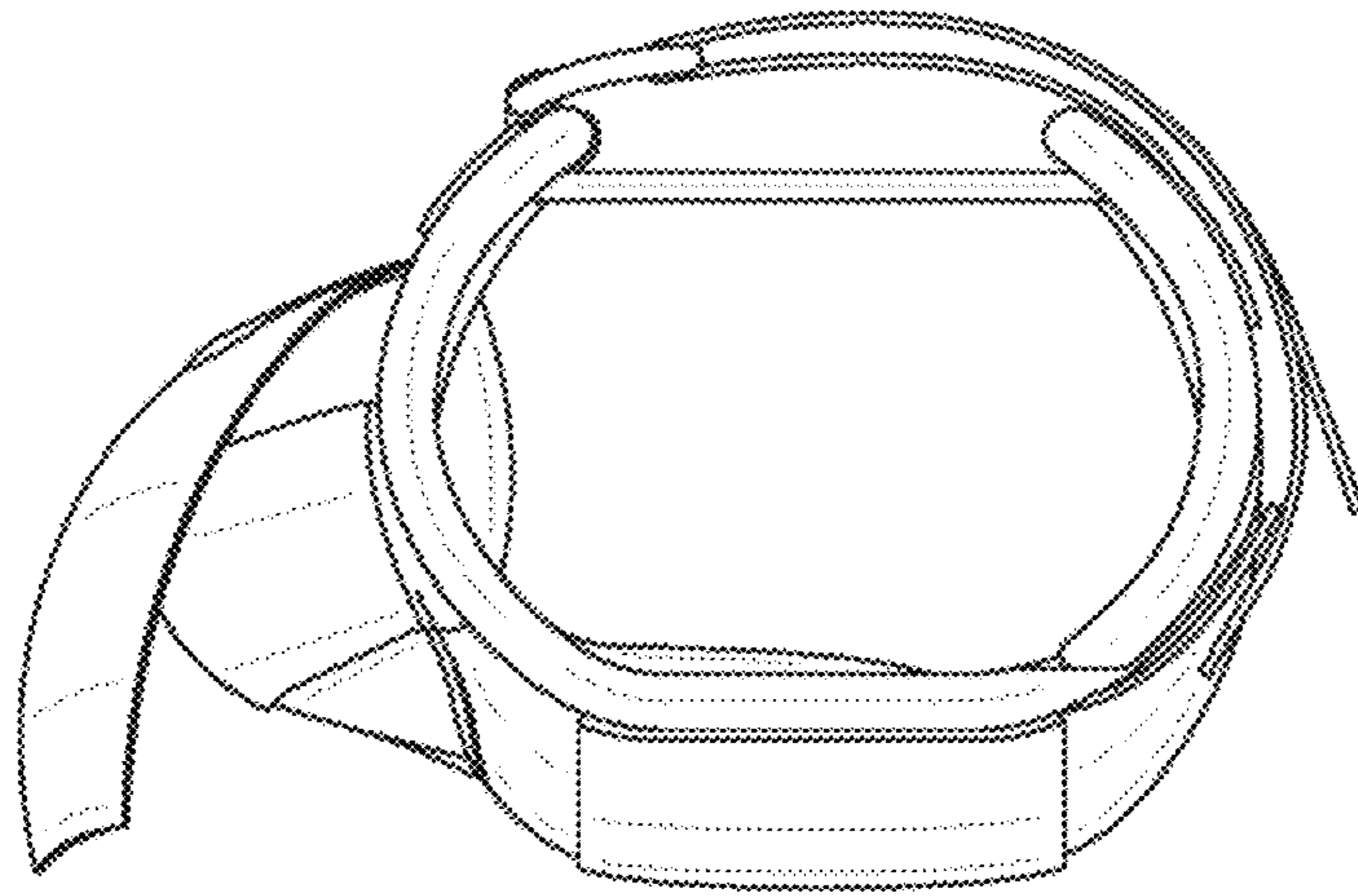


FIG. 8