



US00D835791S

(12) **United States Design Patent**
Chen et al.

(10) **Patent No.:** **US D835,791 S**
(45) **Date of Patent:** **** Dec. 11, 2018**

(54) **FINGER MOUNTED ELECTRONIC DEVICE**

(71) Applicant: **Belun Technology Company Limited,**
Hong Kong (HK)

(72) Inventors: **Hung Tat Chen,** Tai Koo (HK); **Kwan Wai Raymond To,** New Territories (HK); **Pieter Lesage,** Wijnegam (BE)

(73) Assignee: **Belun Technology Company Limited,**
Hong Kong (HK)

(**) Term: **15 Years**

(21) Appl. No.: **29/573,119**

(22) Filed: **Aug. 2, 2016**

(51) **LOC (11) Cl.** **24-01**

(52) **U.S. Cl.**
USPC **D24/187**

(58) **Field of Classification Search**
USPC D24/164–169, 107, 186, 187, 216, 223,
D24/231, 232, 143; D10/46, 70, 75, 81,
D10/98, 30–32, 38; 600/301, 481–483,
600/485, 490, 493–495, 500, 503, 509,
600/323, 335, 340, 352; 128/900;
D11/27, 3–5; D22/109; D8/396;
D14/344, 138 R
CPC A61B 5/14532; A61B 5/14552; A61B
5/6625; A61B 5/6626; A61B 5/6825;
A61B 5/6826; A61B 5/6802; A61B
5/681; A61B 5/6824; A61B 5/6828; A61B
2560/0412; A61B 2560/0431; A61B
2560/0443; A61B 2560/0462; A61B
2560/0468; A61B 5/02405; A61B
5/02411; A61B 5/02427; A61B 5/02438;
G08B 21/0211

See application file for complete search history.

(56) **References Cited**

U.S. PATENT DOCUMENTS

D291,728 S * 9/1987 Hoyt D24/130
D526,414 S * 8/2006 Jacober D24/165

D545,235 S * 6/2007 Carter-Smith D11/27
D546,464 S * 7/2007 Savoia D24/200
D639,892 S * 6/2011 Hendricks D22/109
8,562,512 B2 * 10/2013 Menn A61B 1/0014
600/102
D722,359 S * 2/2015 Hendricks D22/108
D763,451 S * 8/2016 Kaario D24/186
D764,674 S * 8/2016 Quinn D11/27
D768,300 S * 10/2016 Felix D14/344
D783,607 S * 4/2017 Lee D14/138 R
D790,711 S * 6/2017 Kaz D24/167
D799,477 S * 10/2017 Lee D14/344
2006/0129070 A1 * 6/2006 Pearl A61B 5/0057
600/595

(Continued)

Primary Examiner — Anhdao Doan

Assistant Examiner — Mary Shannon Malley

(74) *Attorney, Agent, or Firm* — Idea Intellectual Limited;
Margaret A. Burke; Sam T. Yip

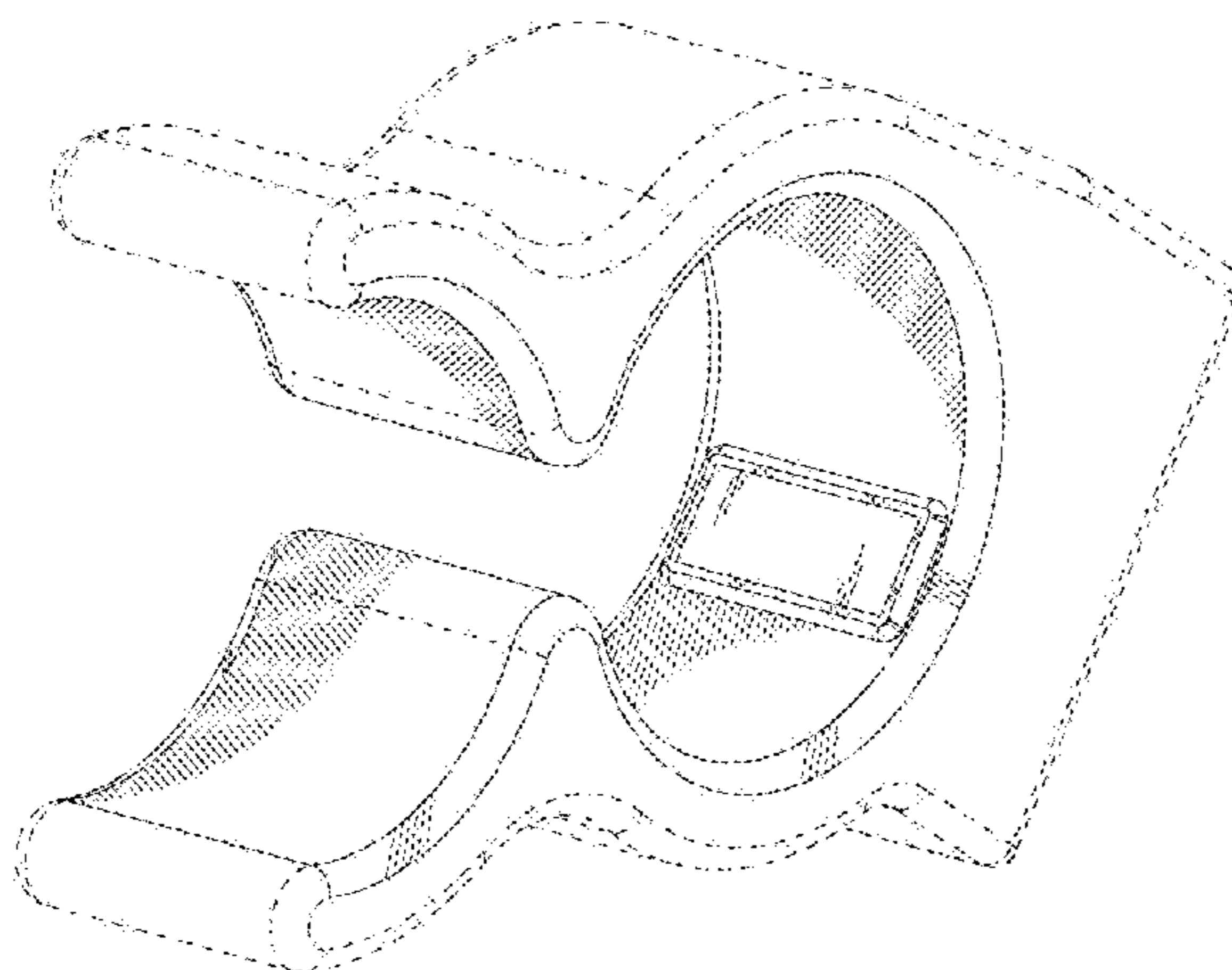
(57) **CLAIM**

The ornamental design for a finger mounted electronic device, as shown and described.

DESCRIPTION

FIG. 1 is a left side view of a finger mounted electronic device, the right side being a mirror image;
FIG. 2 is a rear left perspective view thereof;
FIG. 3 is a front left perspective view thereof;
FIG. 4 is a bottom left perspective view thereof;
FIG. 5 is a top perspective view thereof;
FIG. 6 is a front left perspective view of the design shown in use; and,
FIG. 7 is a cross section view of the design shown in use. The broken lines shown within shaded areas represent unclaimed surface ornamentation. All other broken lines in the Figures show portions of the electronic device that form no part of the claimed design.

1 Claim, 5 Drawing Sheets



(56)

References Cited

U.S. PATENT DOCUMENTS

2012/0059233 A1* 3/2012 Huber A61B 5/02241
600/323
2012/0083710 A1* 4/2012 Yarden A61B 5/6802
600/549
2016/0066827 A1* 3/2016 Workman A61B 5/0002
600/340
2016/0287165 A1* 10/2016 Abreu A61B 5/0015

* cited by examiner

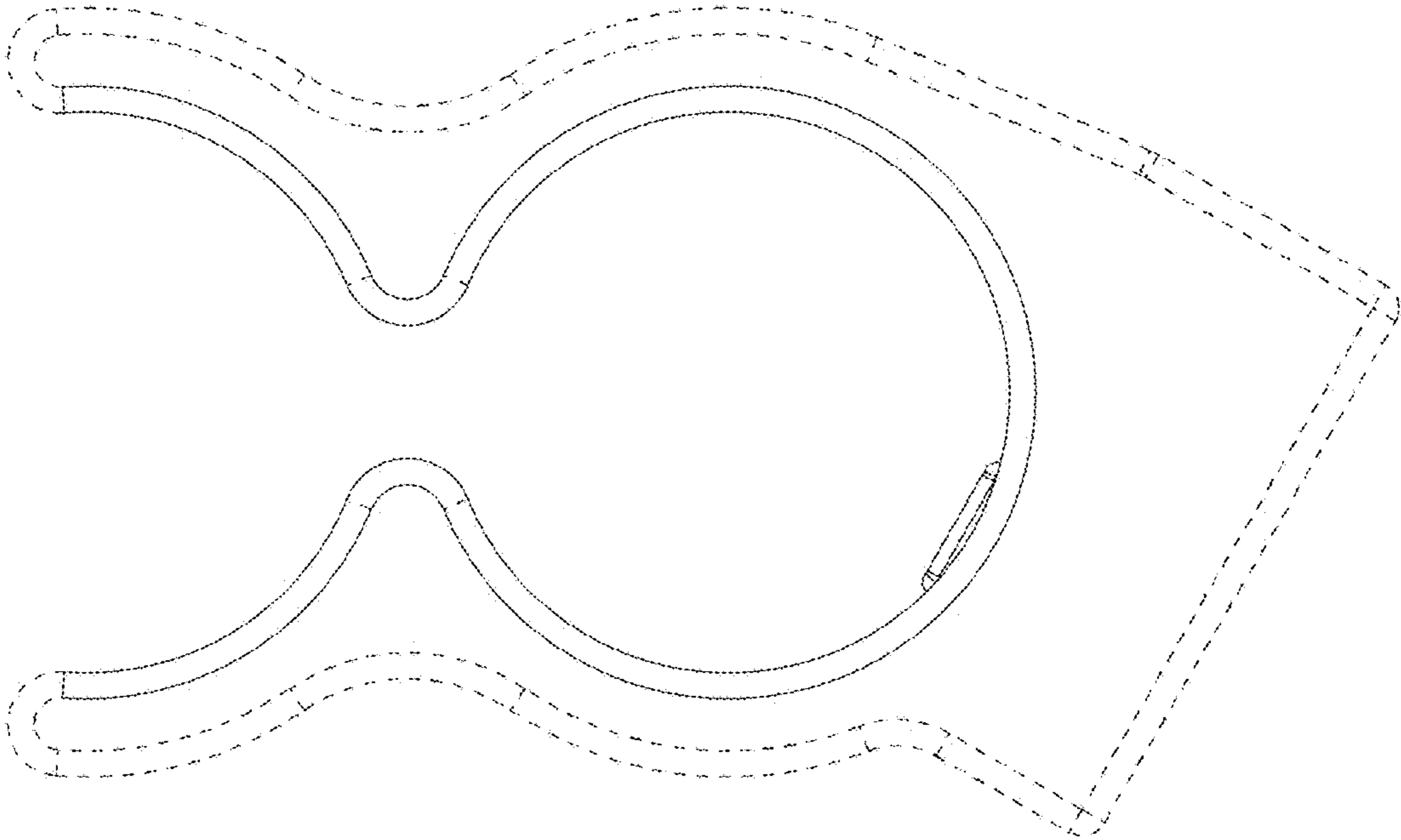


Fig. 1

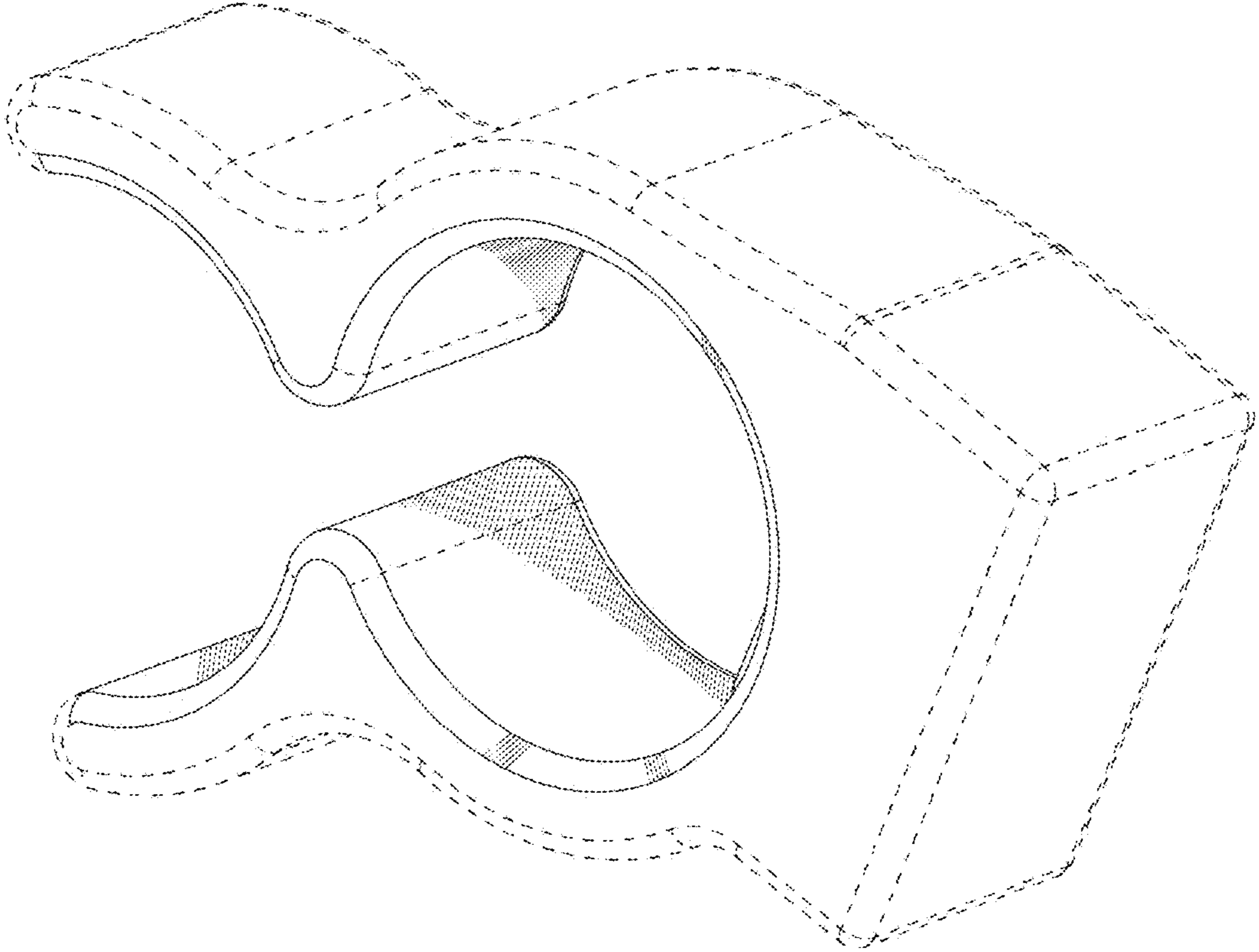


Fig. 2

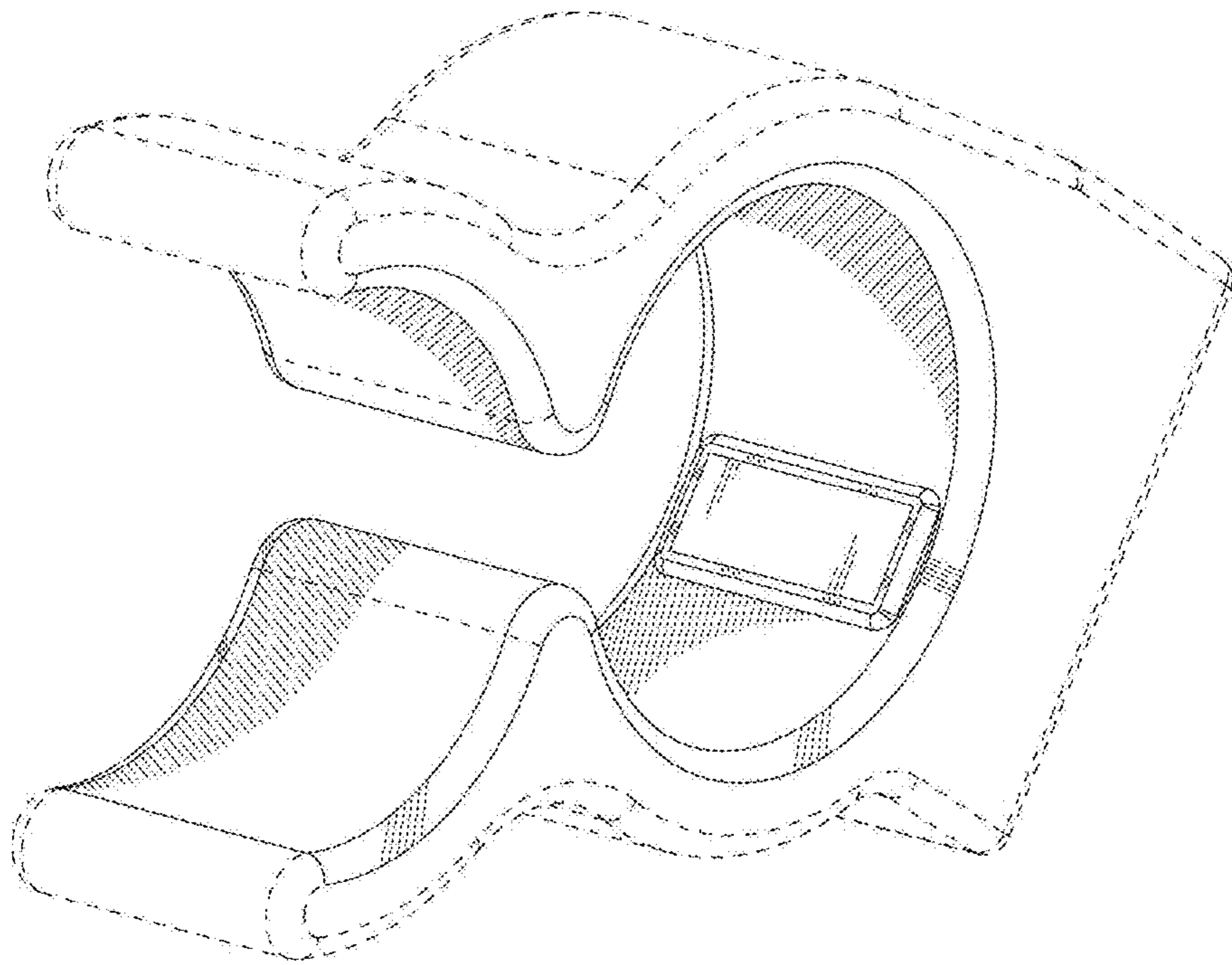


FIG. 3

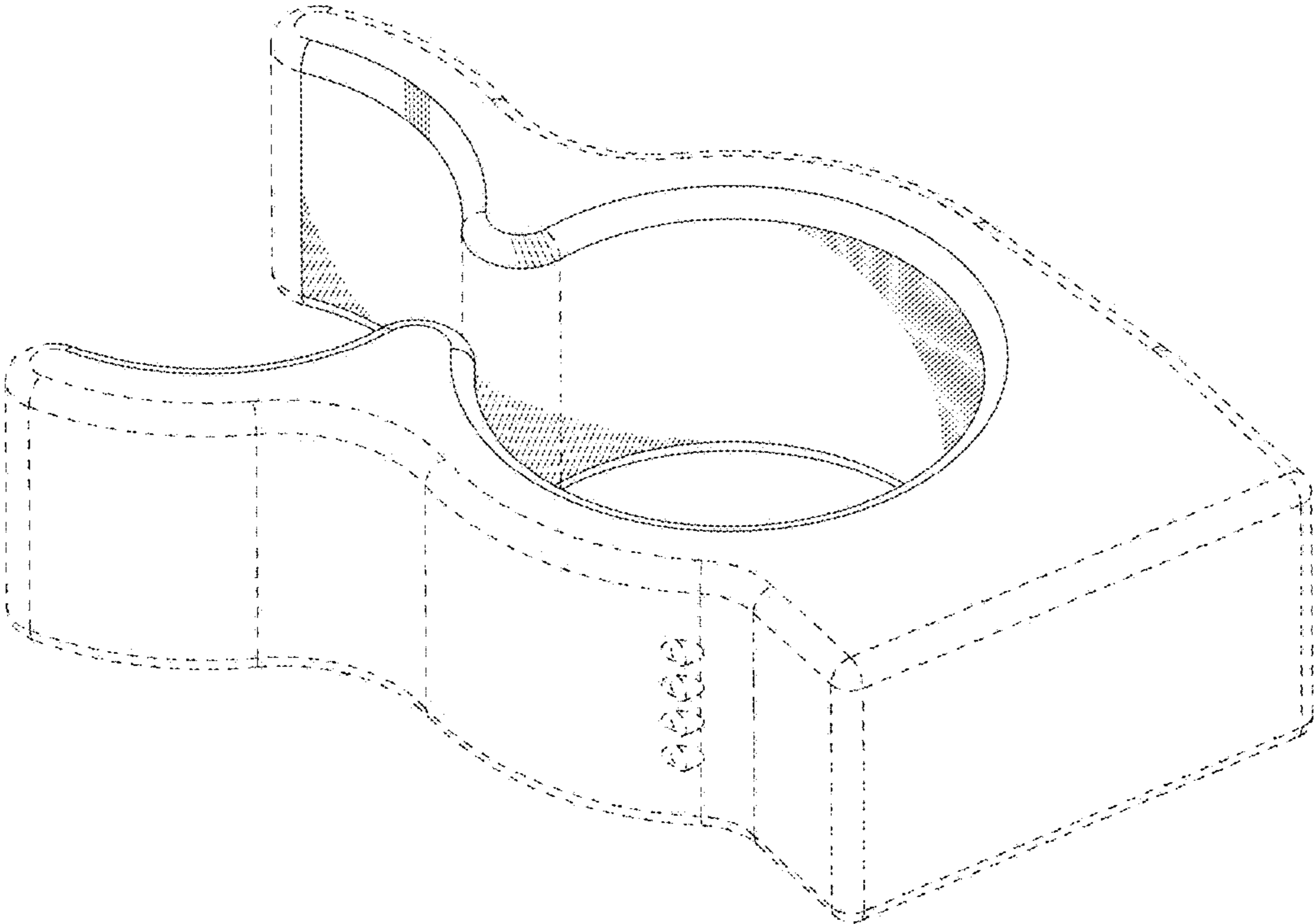


Fig. 4

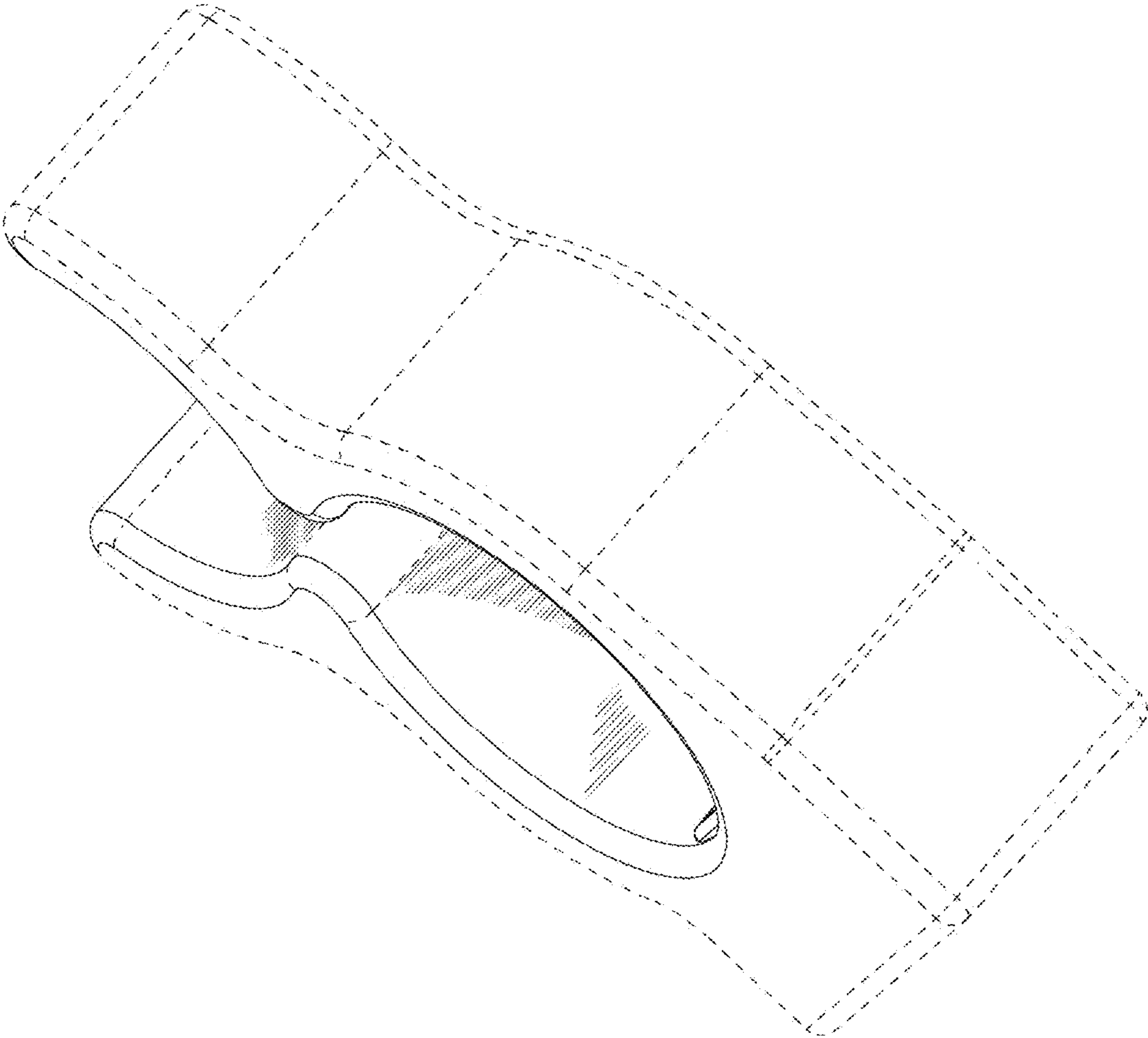


Fig. 5

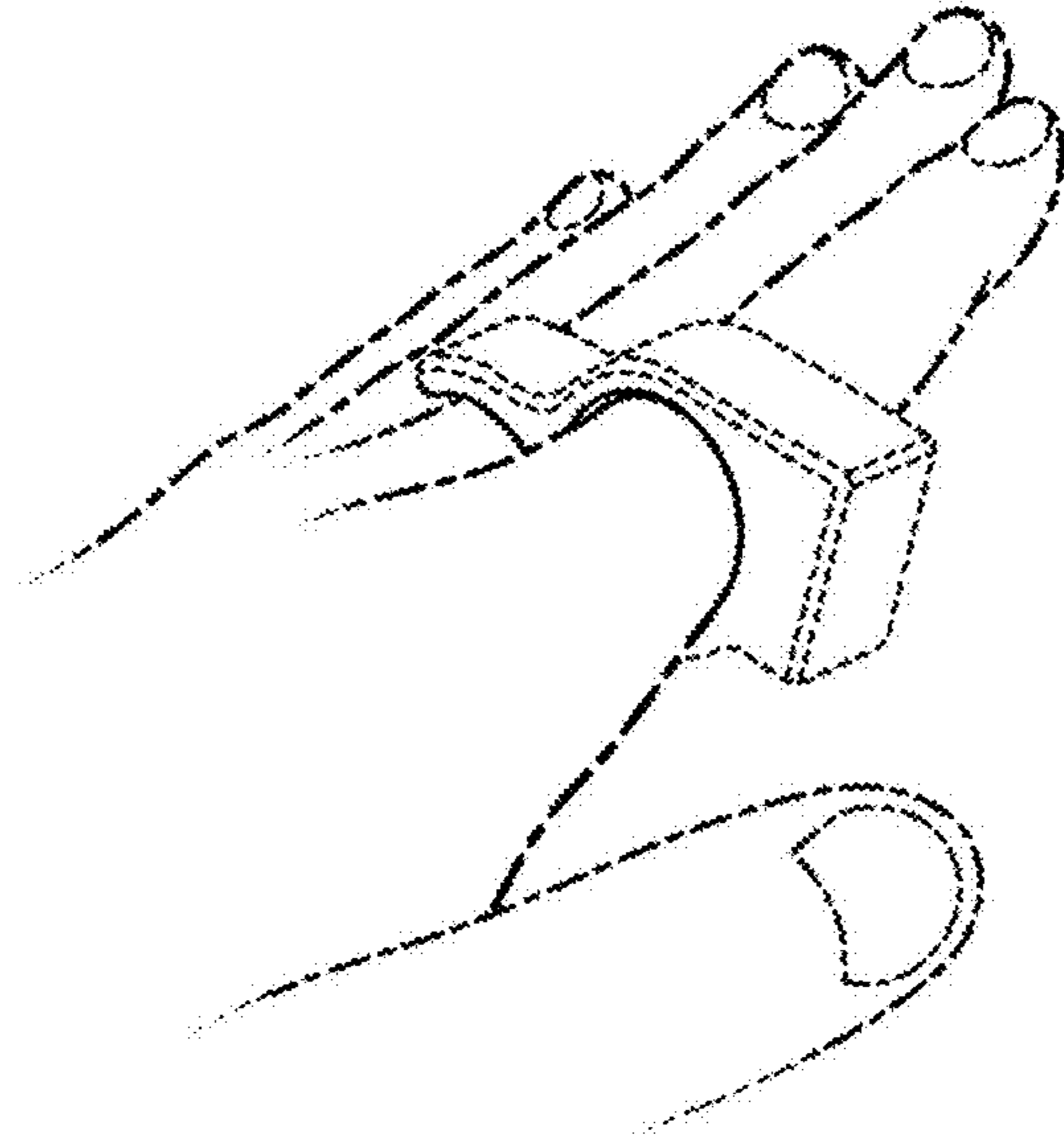


Fig. 6

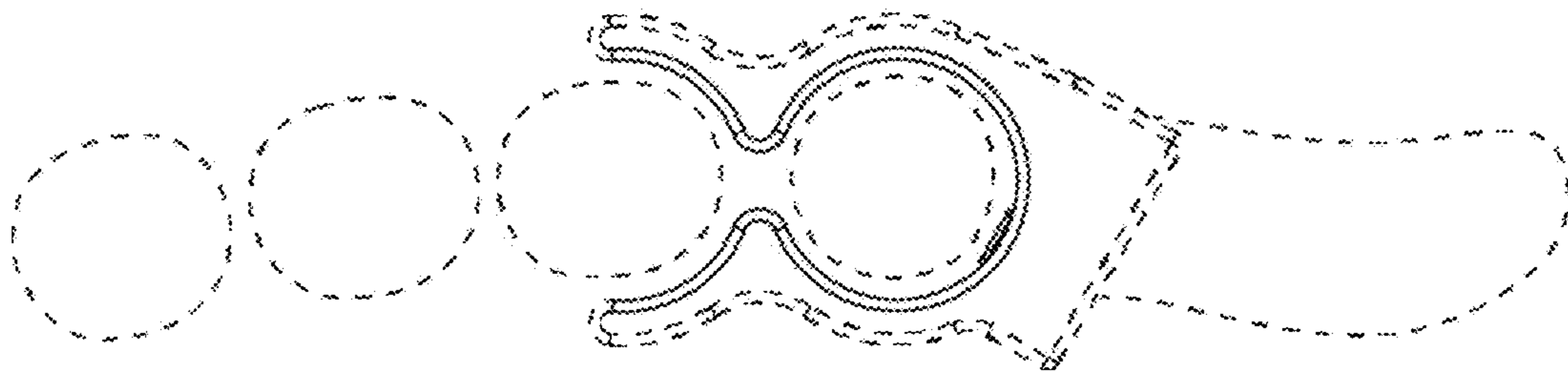


Fig. 7