



US00D835790S

(12) **United States Design Patent** (10) **Patent No.:** **US D835,790 S**  
**Mercado et al.** (45) **Date of Patent:** **\*\* Dec. 11, 2018**

(54) **DEFIBRILLATOR**

(71) Applicant: **Revive Solutions, Inc.**, San Mateo, CA (US)

(72) Inventors: **Priscilla Agosto Mercado**, Caguas, PR (US); **Brian Wanek**, Glen, NH (US); **Thomas Matthew Burns**, Mt. Sinai, NY (US); **Gordon Moseley P. Andrews**, Ross, CA (US)

(73) Assignee: **Revive Solutions, Inc.**, San Mateo, CA (US)

(\*\*) Term: **15 Years**

(21) Appl. No.: **29/626,141**

(22) Filed: **Nov. 15, 2017**

(51) **LOC (11) Cl.** ..... **24-01**

(52) **U.S. Cl.**  
USPC ..... **D24/167**

(58) **Field of Classification Search**  
USPC ..... D24/107, 165, 167, 168, 185, 186, 187, D24/200; D10/70, 98; D14/344  
CPC ..... A61N 1/39; A61N 1/3925; A61N 1/3968; A61N 1/3987; A61N 1/3993  
See application file for complete search history.

(56) **References Cited**

U.S. PATENT DOCUMENTS

D372,977 S \* 8/1996 Bishay ..... D24/167  
D484,246 S \* 12/2003 Lee ..... D24/186

D719,658 S \* 12/2014 McDougall ..... D24/165  
D764,670 S \* 8/2016 Finch ..... D24/167  
D782,682 S \* 3/2017 Jung ..... D24/167  
D783,170 S \* 4/2017 Carreon ..... D24/167  
D804,334 S \* 12/2017 Becker ..... D24/167  
D811,598 S \* 2/2018 Baek ..... D24/167

\* cited by examiner

*Primary Examiner* — Anhdao Doan

(74) *Attorney, Agent, or Firm* — Beyer Law Group LLP

(57) **CLAIM**

We claim the ornamental design for a defibrillator, substantially as shown and described.

**DESCRIPTION**

FIG. 1 is a perspective view of a defibrillator showing our new design.

FIG. 2 is a front view thereof.

FIG. 3 is a back view thereof.

FIG. 4 is a top view thereof.

FIG. 5 is a bottom view thereof.

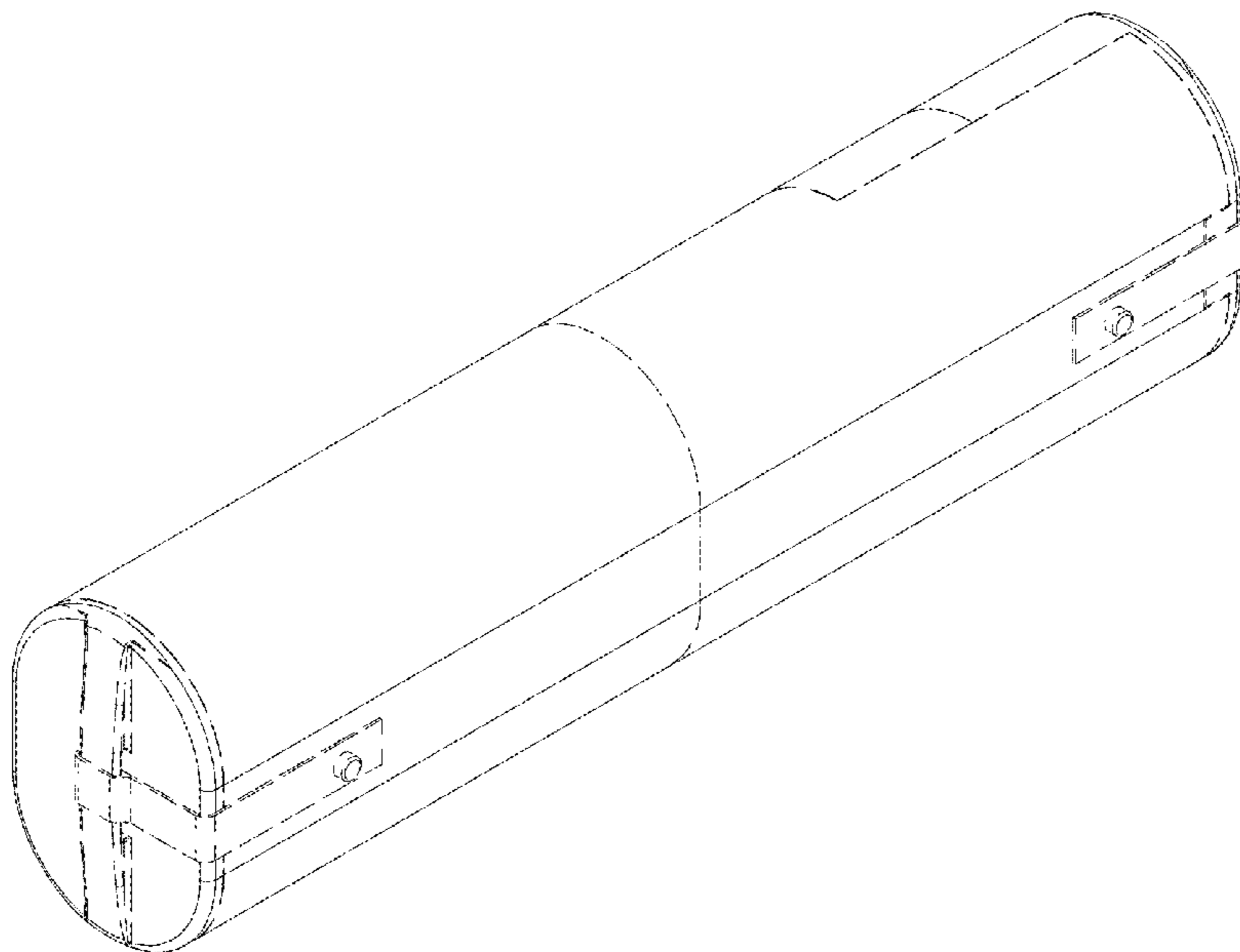
FIG. 6 is a left side view thereof.

FIG. 7 is a right side view thereof; and,

FIG. 8 is a second perspective view thereof.

The broken lines immediately adjacent the claimed subject matter represent the bounds of the claim, while all other broken lines are directed to environment and are for illustrative purposes only; the broken lines form no part of the claimed design.

**1 Claim, 5 Drawing Sheets**



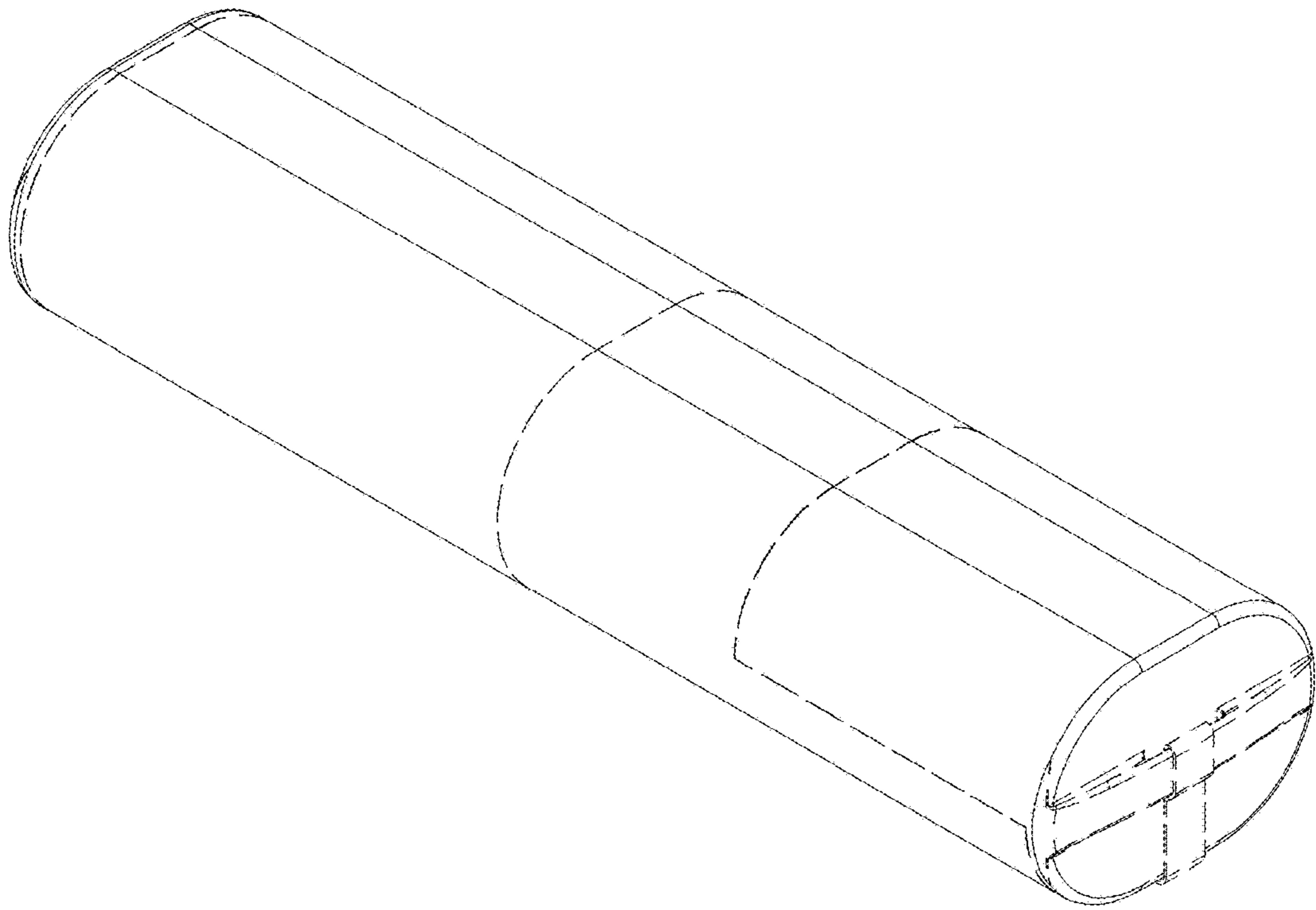


FIG. 1



FIG. 2

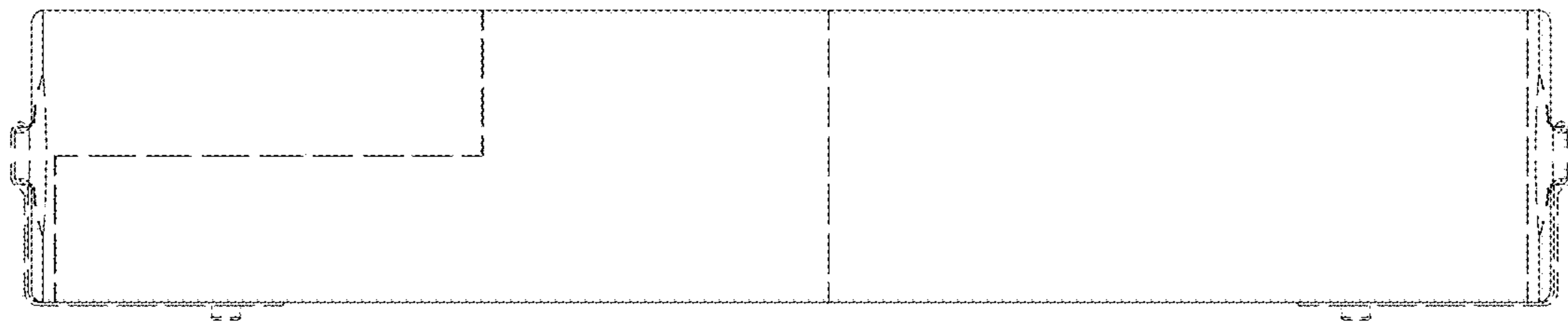


FIG. 3

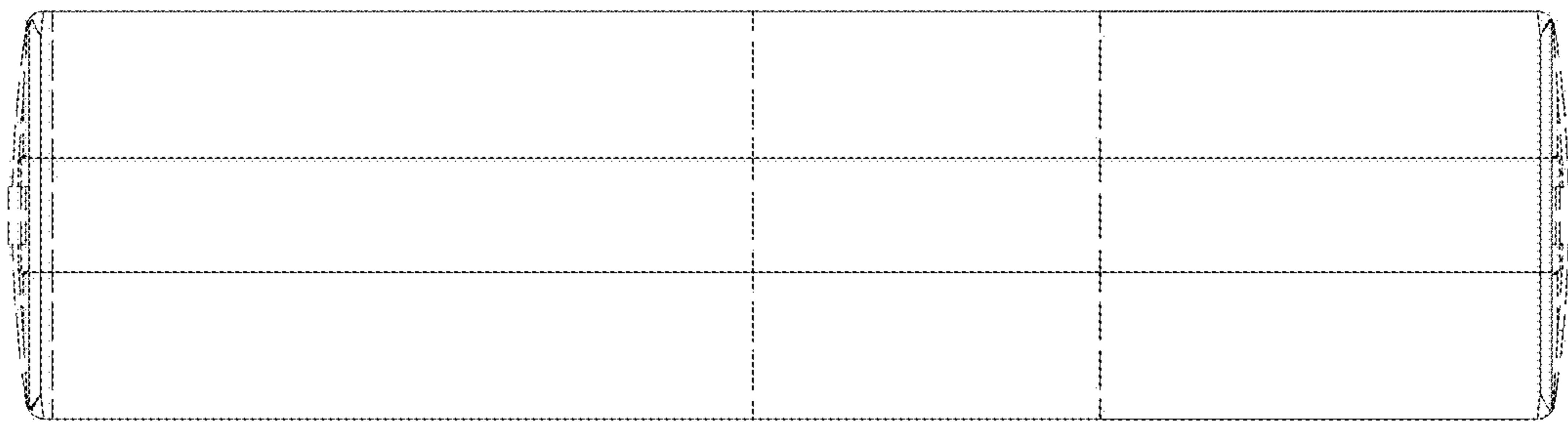


FIG. 4

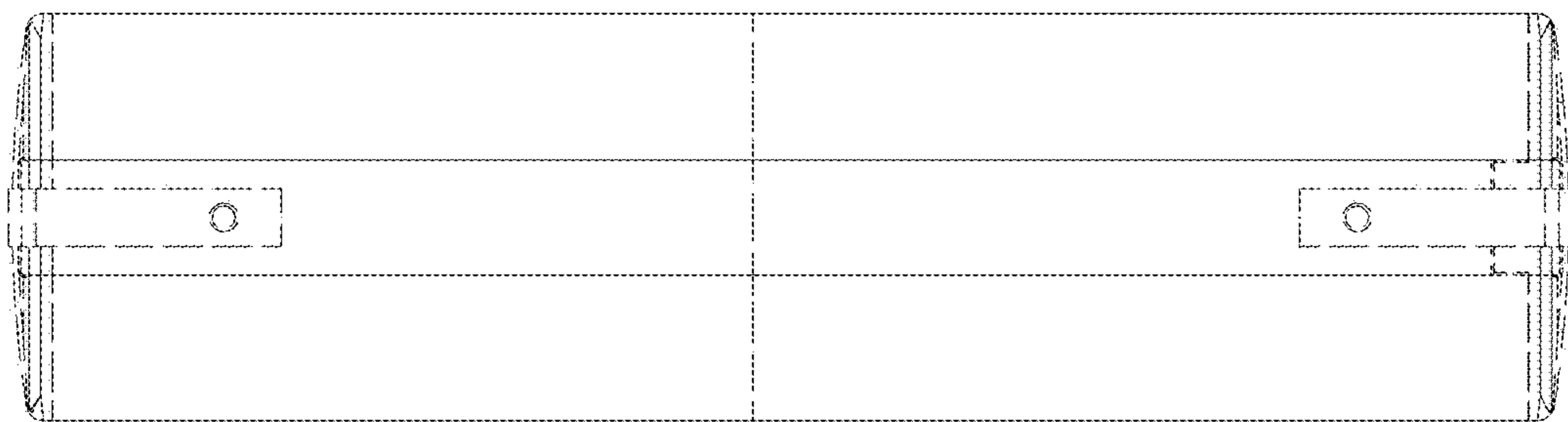


FIG. 5

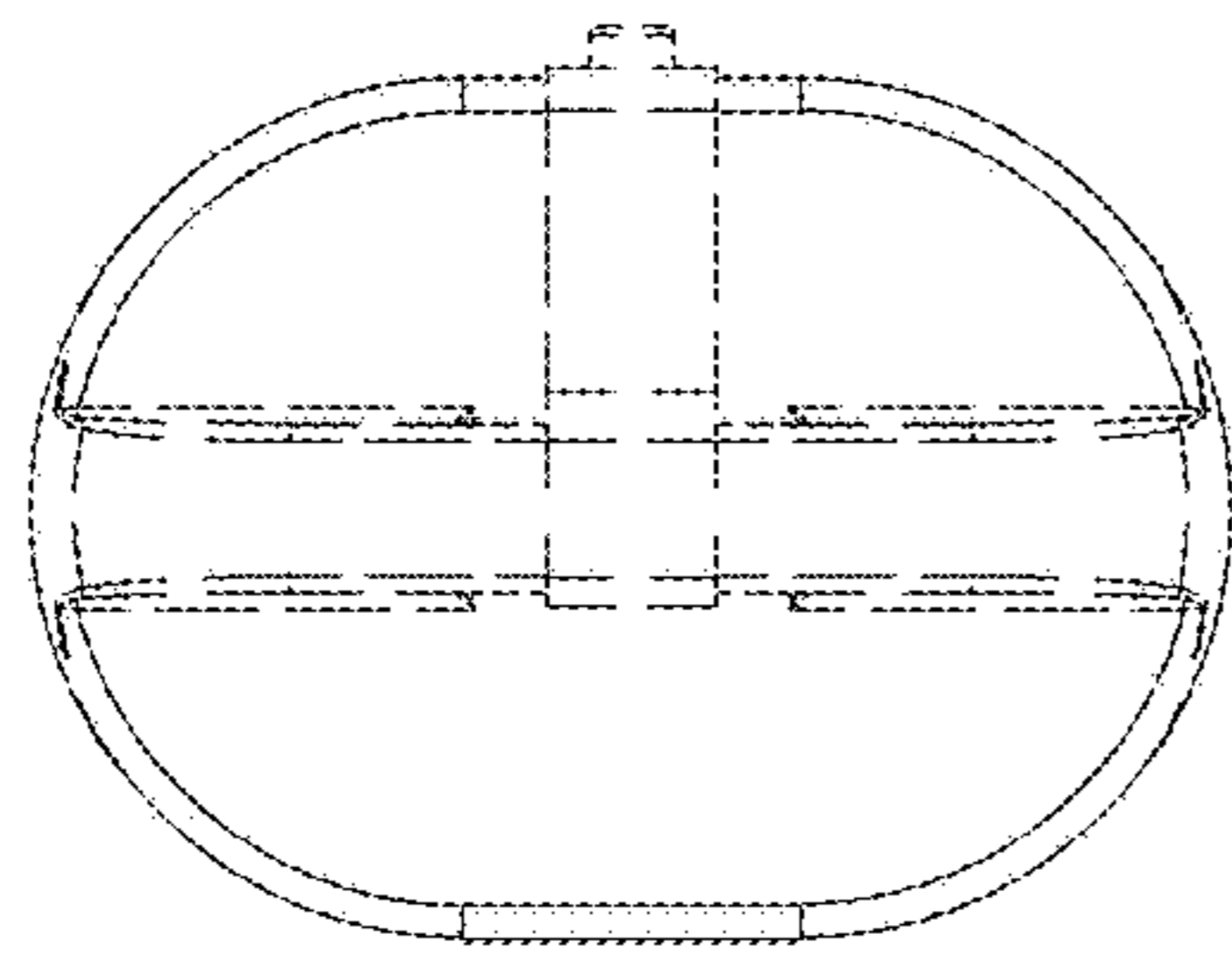


FIG. 6

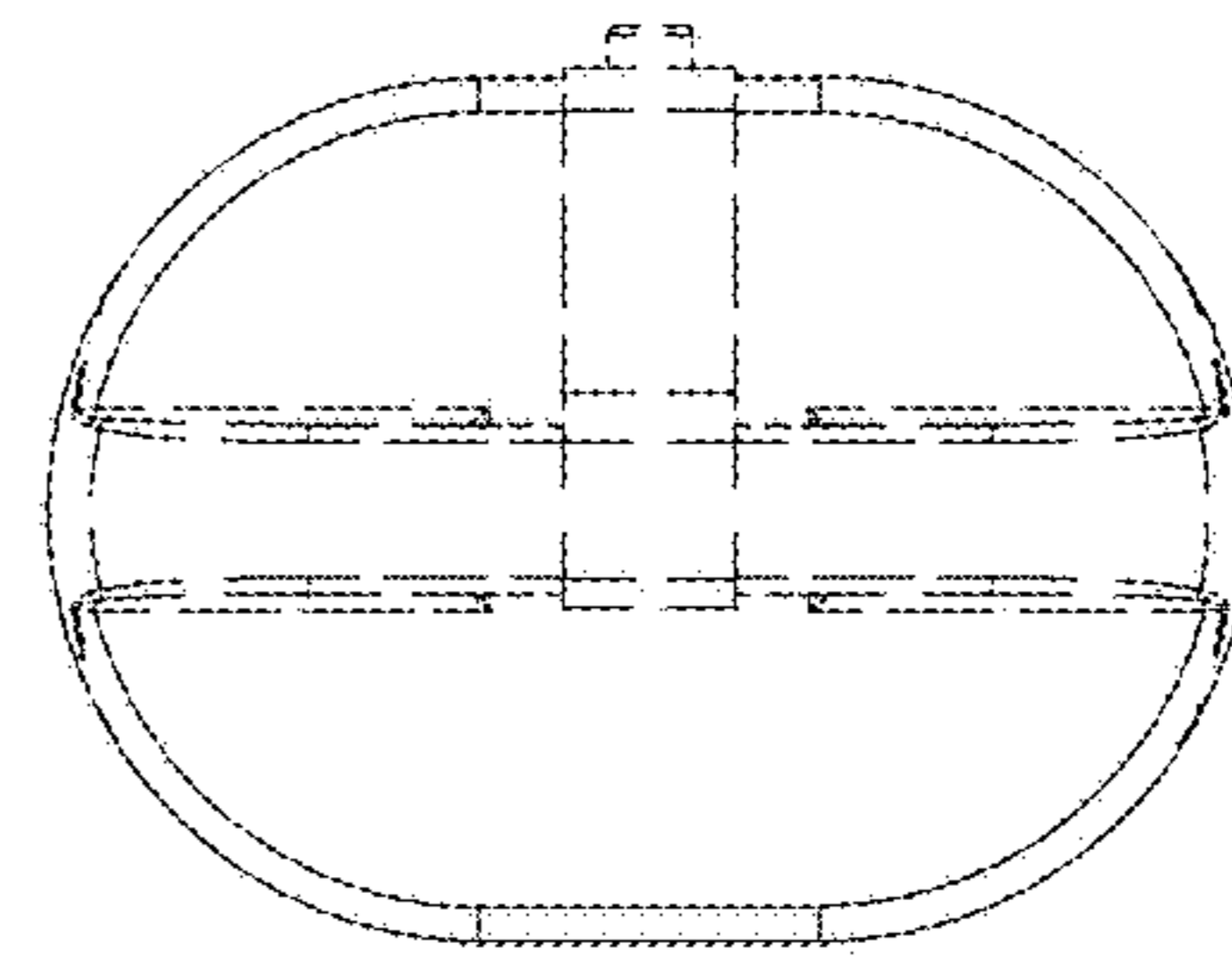


FIG. 7

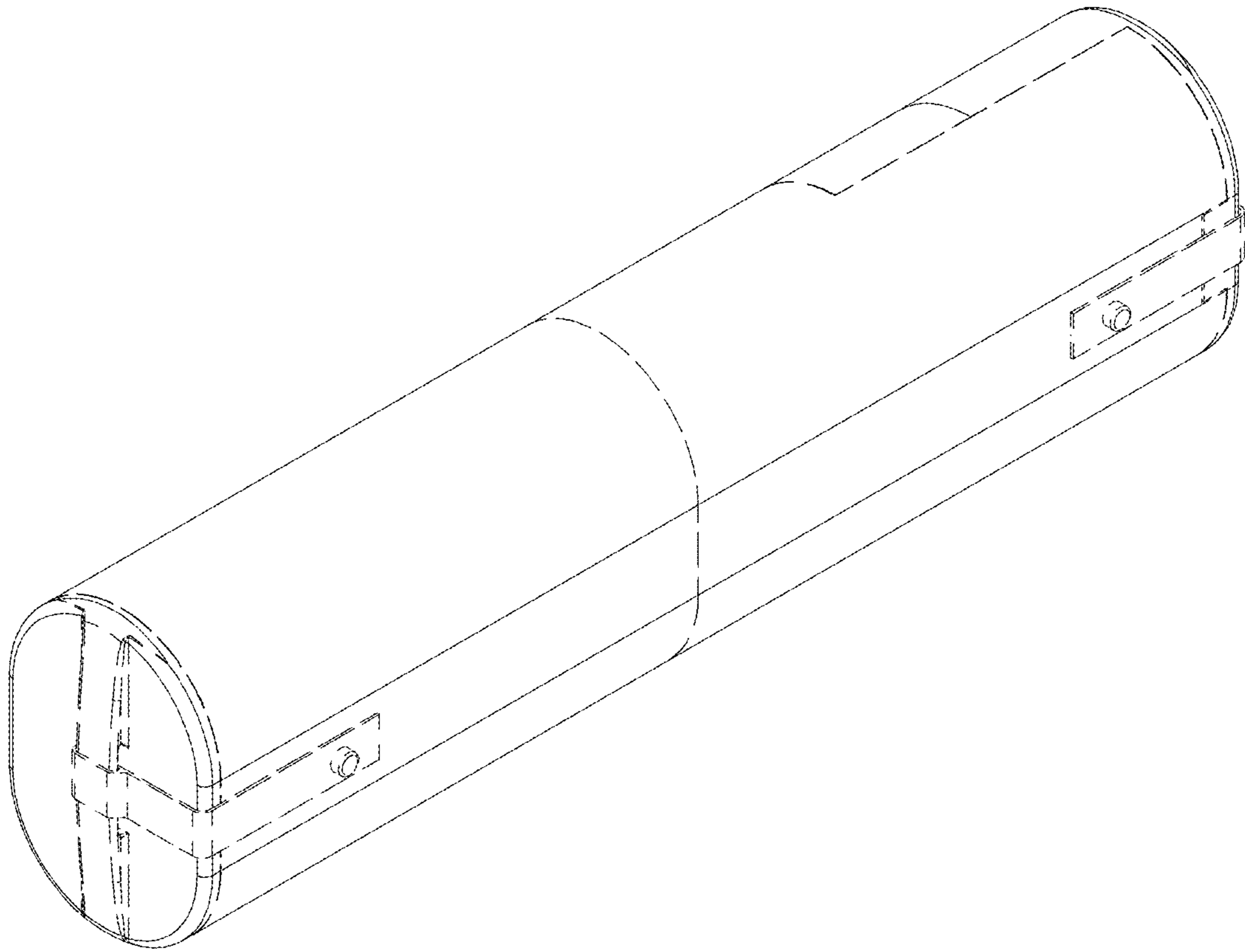


FIG. 8