



US00D835789S

(12) **United States Design Patent** (10) **Patent No.:** **US D835,789 S**
Achleitner et al. (45) **Date of Patent:** **** Dec. 11, 2018**

(54) **MEDICAL APPARATUS FOR IMAGING HAVING AN ORNAMENTATION**
 (71) Applicant: **Siemens Healthcare GmbH**, Erlangen (DE)
 (72) Inventors: **Roman Achleitner**, Nuremberg (DE); **Peter Distler**, Heroldsbach (DE)
 (73) Assignee: **Siemens Healthcare GmbH**, Erlangen (DE)

D555,910 S 11/2007 Simoni et al.
 D651,809 S 1/2012 Steeman et al.
 D678,527 S 3/2013 Boninger
 D701,309 S * 3/2014 Ohmukai D24/158
 D703,321 S 4/2014 Wodecki
 D715,945 S * 10/2014 Zhang D24/159
 D738,505 S 9/2015 Eberler et al.
 D751,302 S 3/2016 Shirai
 D768,395 S 10/2016 Nelson
 2009/0080186 A1 3/2009 Helmreich et al.
 2012/0230465 A1 9/2012 Matsuzawa et al.
 2013/0162254 A1 6/2013 Hierl et al.

(**) Term: **15 Years**

(21) Appl. No.: **29/606,234**

(22) Filed: **Jun. 2, 2017**

Related U.S. Application Data

(62) Division of application No. 29/560,625, filed on Apr. 8, 2016.

(30) **Foreign Application Priority Data**

Oct. 9, 2015 (EM) 002816975

(51) **LOC (11) Cl.** **24-01**

(52) **U.S. Cl.**
USPC **D24/158**

(58) **Field of Classification Search**
USPC D24/158-161, 185, 186, 107; D5/11, 12, D5/23, 48, 54, 58, 59
CPC .. A61B 5/05; A61B 5/055; A61B 6/03; A61B 6/035
See application file for complete search history.

(56) **References Cited**

U.S. PATENT DOCUMENTS

D215,033 S 8/1969 Ottens
D462,180 S 9/2002 Kao et al.

* cited by examiner

Primary Examiner — Anhdao Doan

(74) *Attorney, Agent, or Firm* — Schiff Hardin LLP

(57) **CLAIM**

The ornamental design for a medical apparatus for imaging having an ornamentation, as shown and described.

DESCRIPTION

FIG. 1 is a front elevational view of a medical apparatus for imaging having an ornamentation showing our new design; FIG. 2 is a back elevational view thereof; FIG. 3 is a top plan view thereof; FIG. 4 is a bottom plan view thereof; FIG. 5 is a right side elevational view thereof; FIG. 6 is a left side elevational view thereof; FIG. 7 is a perspective view taken generally from the upper, front, right-hand side thereof; and, FIG. 8 is an enlarged front elevational view of the ornamentation shown without the medical apparatus for imaging. The broken lines illustrate portions of the medical apparatus for imaging having an ornamentation that form no part of the claimed design.

1 Claim, 8 Drawing Sheets

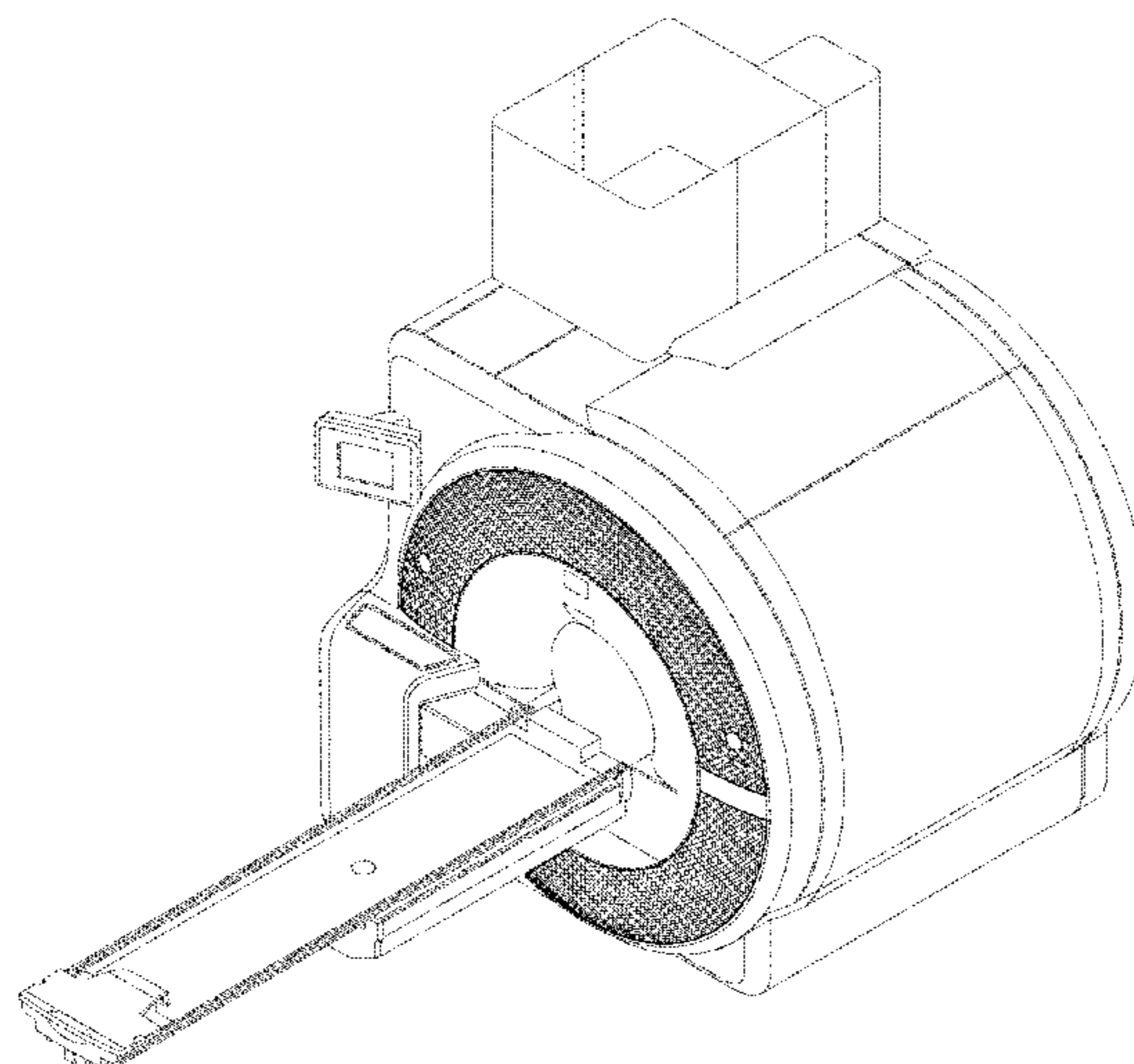


FIG. 1

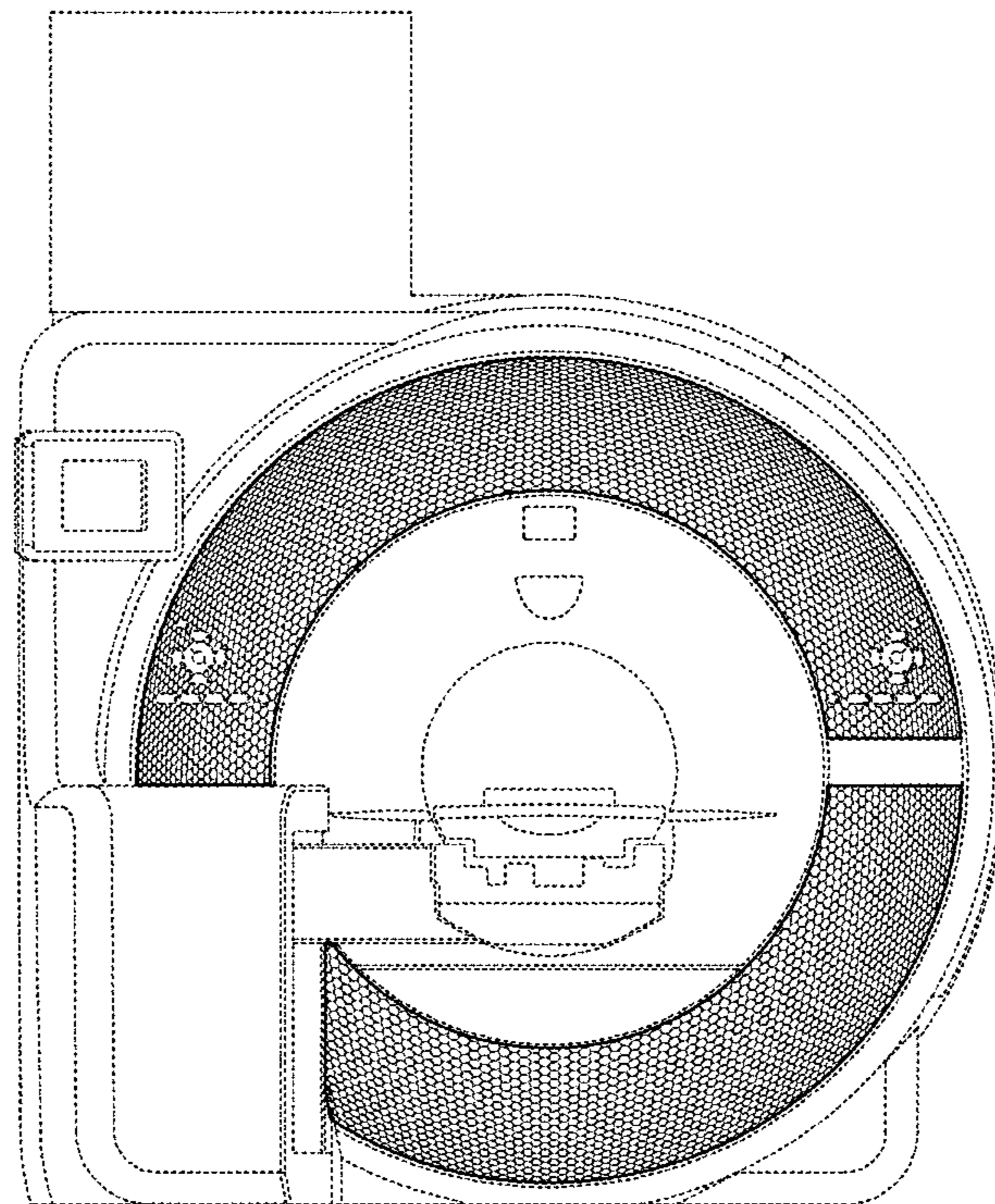


FIG. 2

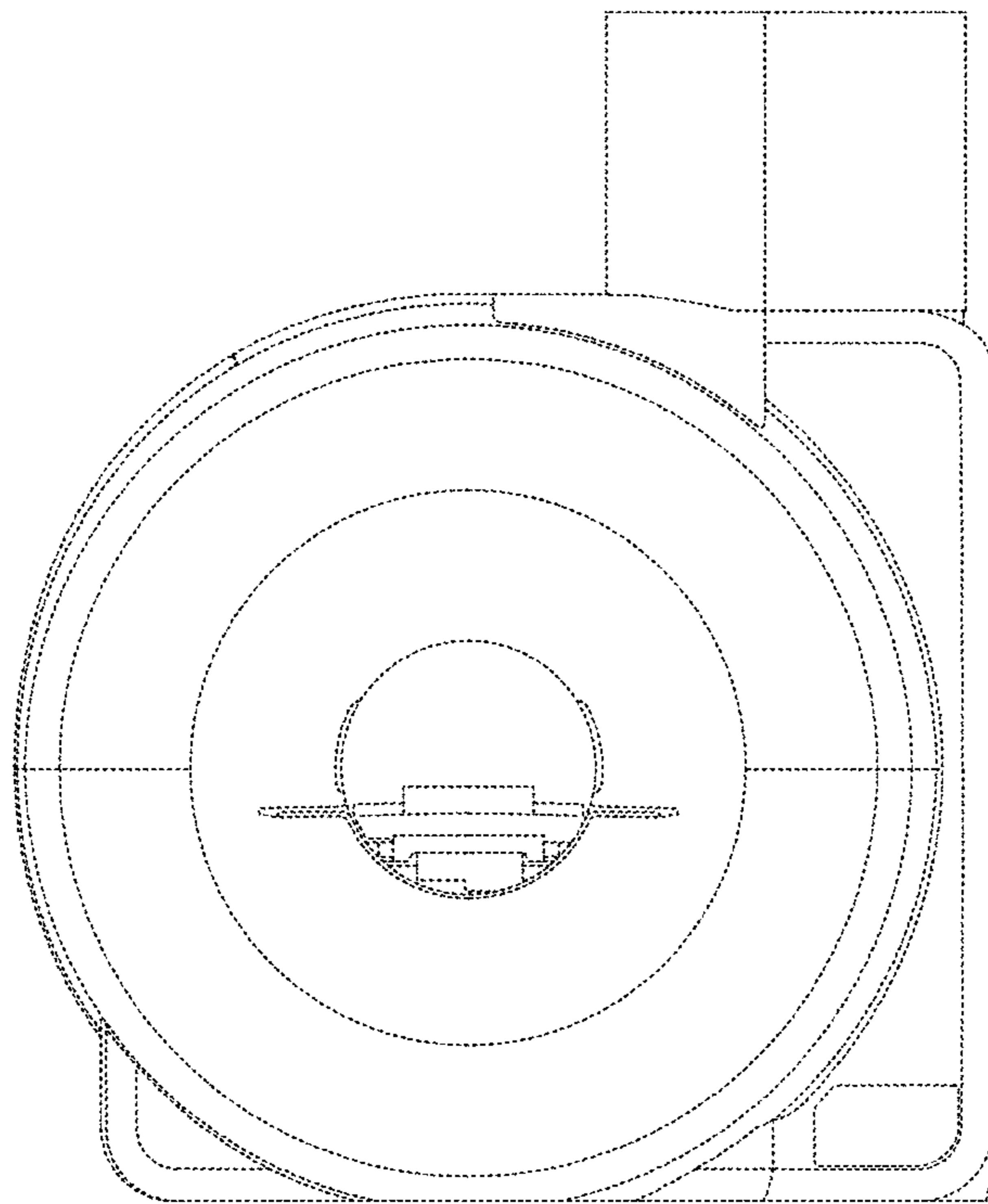


FIG. 3

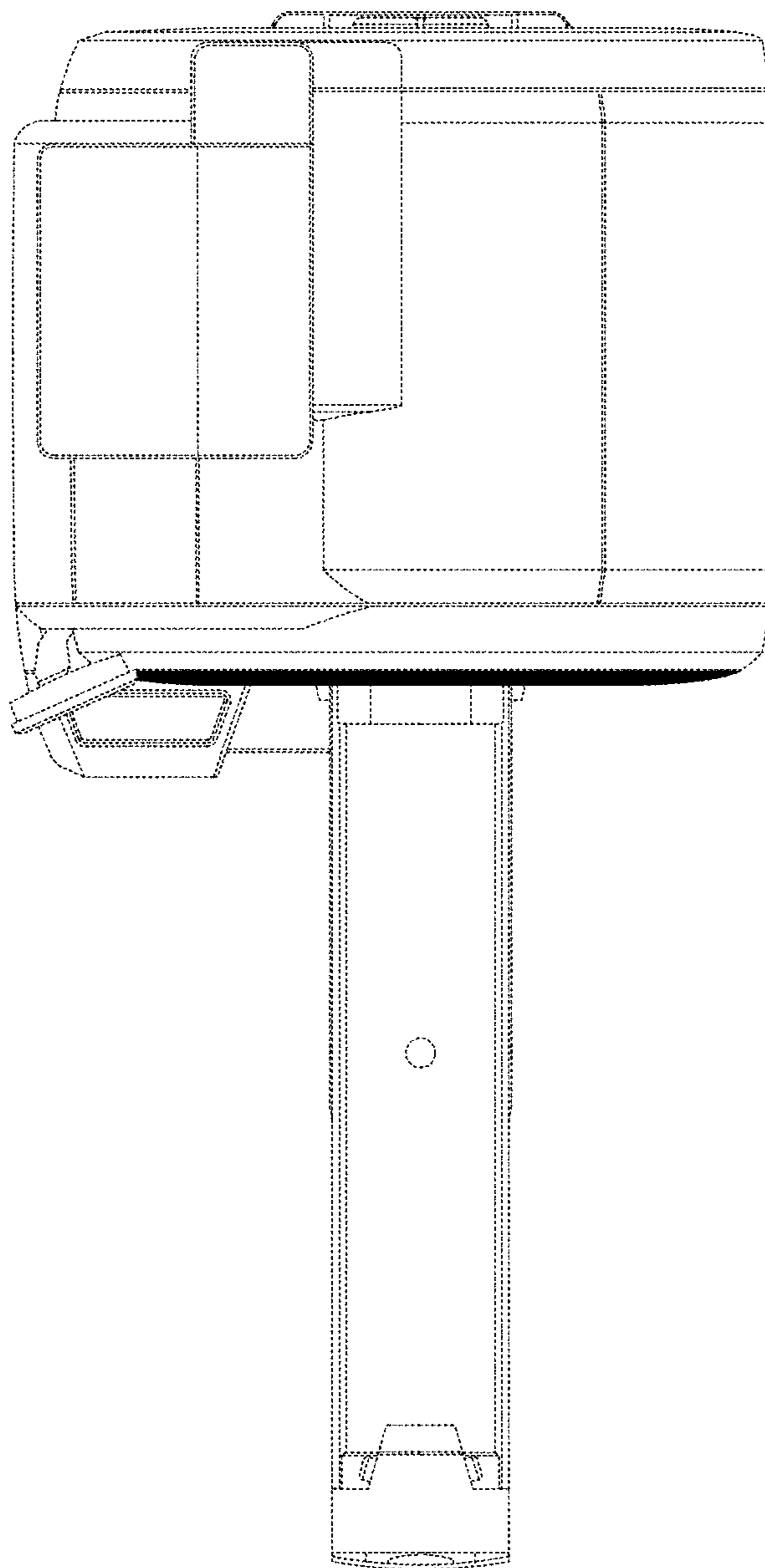


FIG. 4

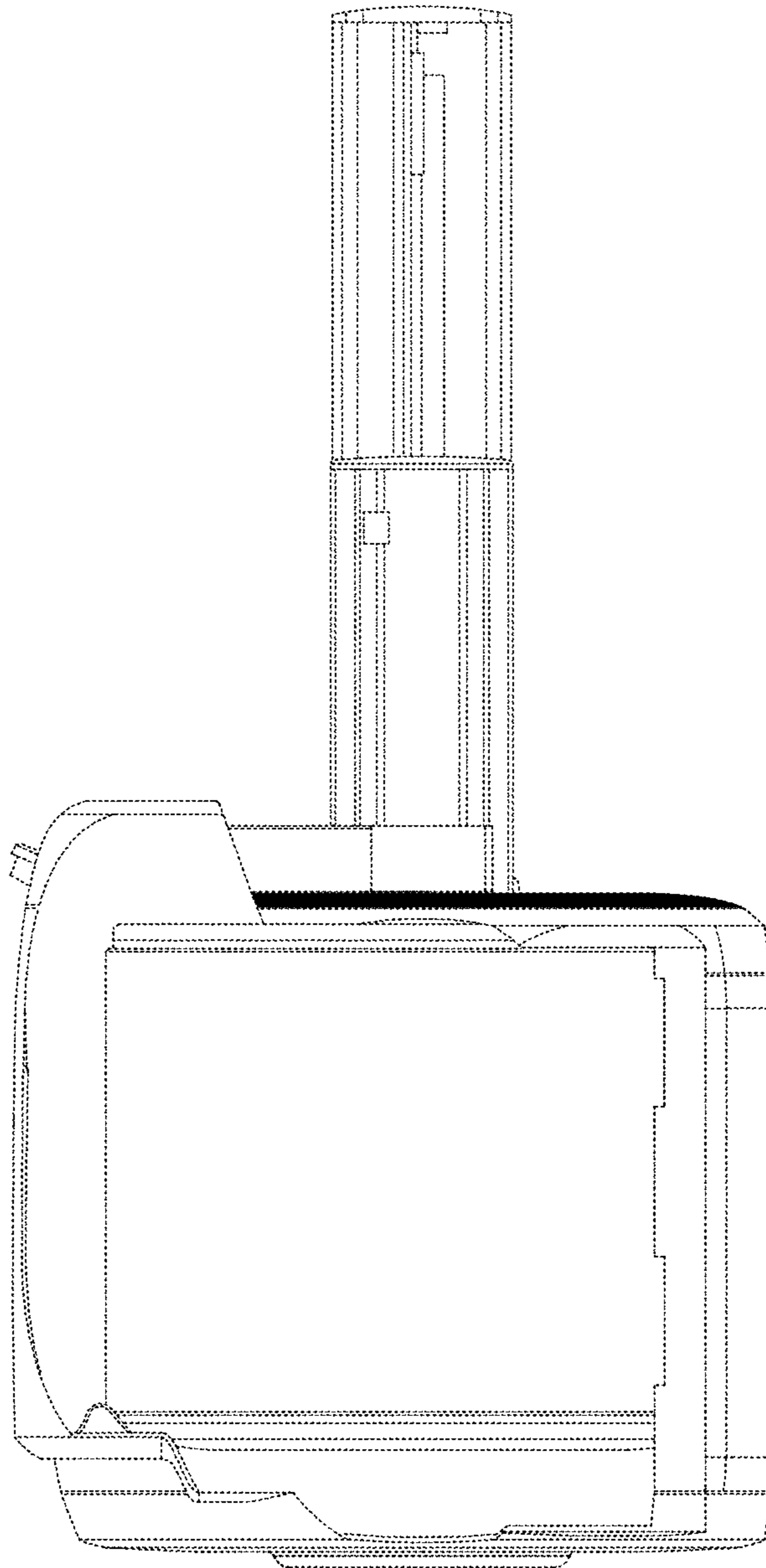


FIG. 5

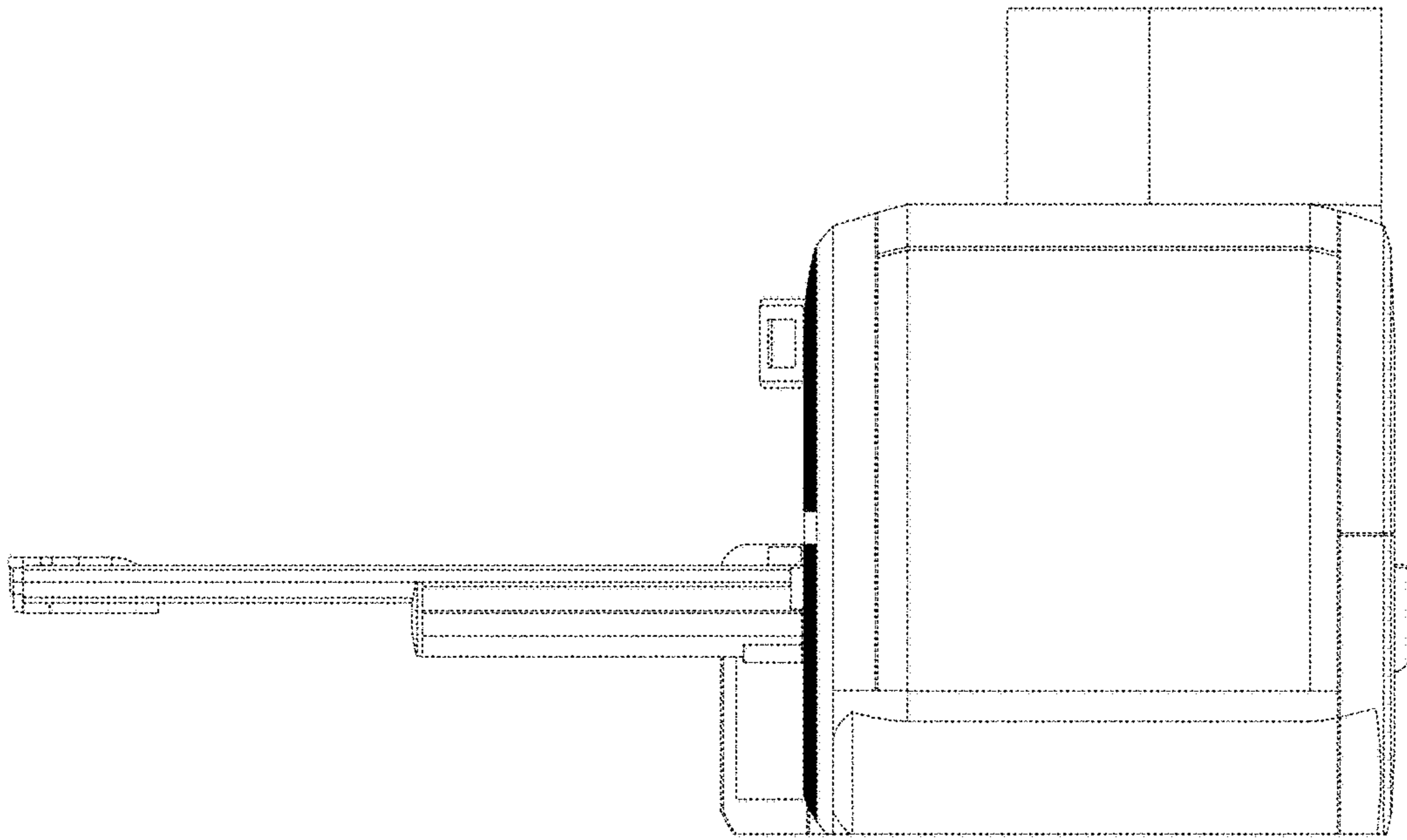


FIG. 6

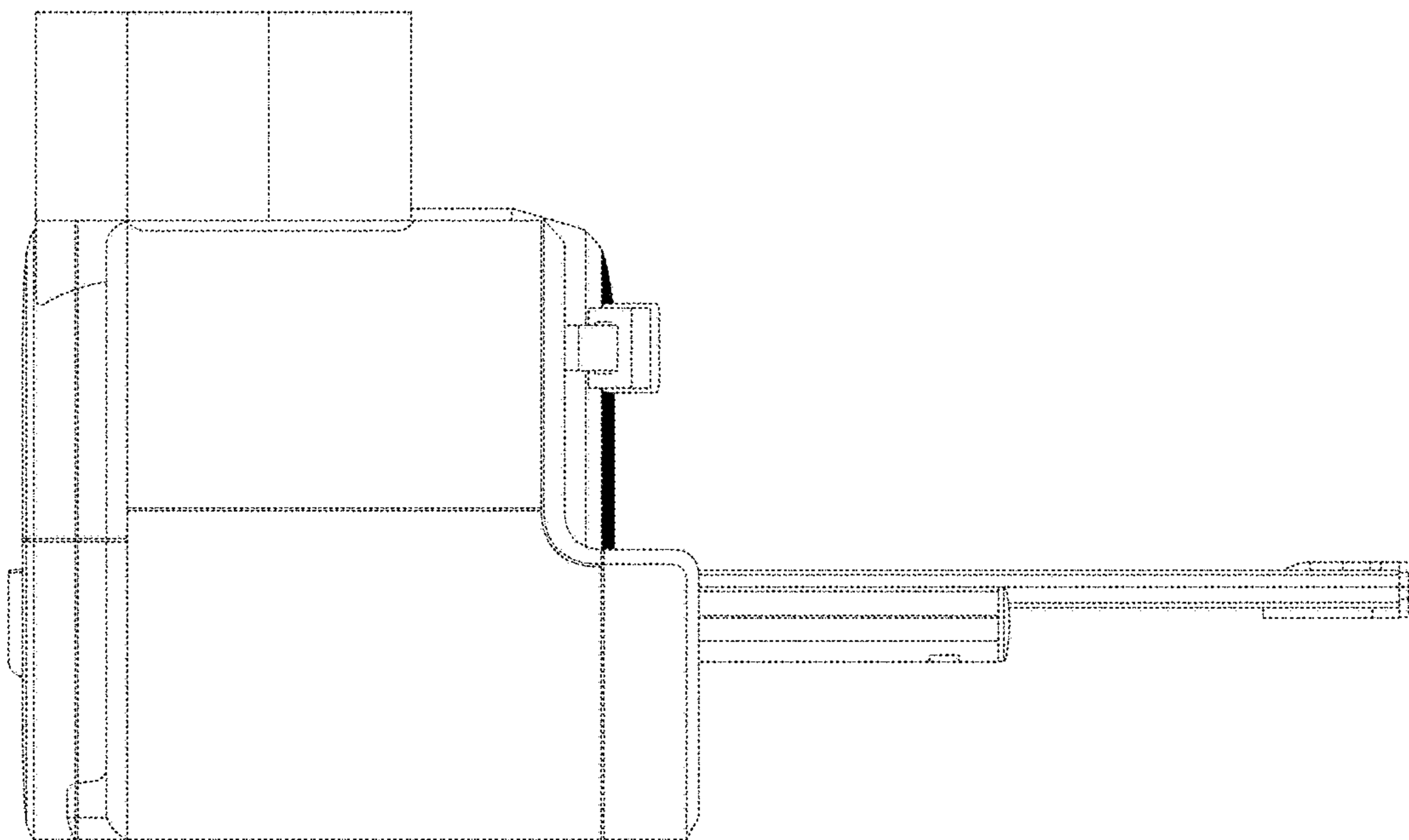


FIG. 7

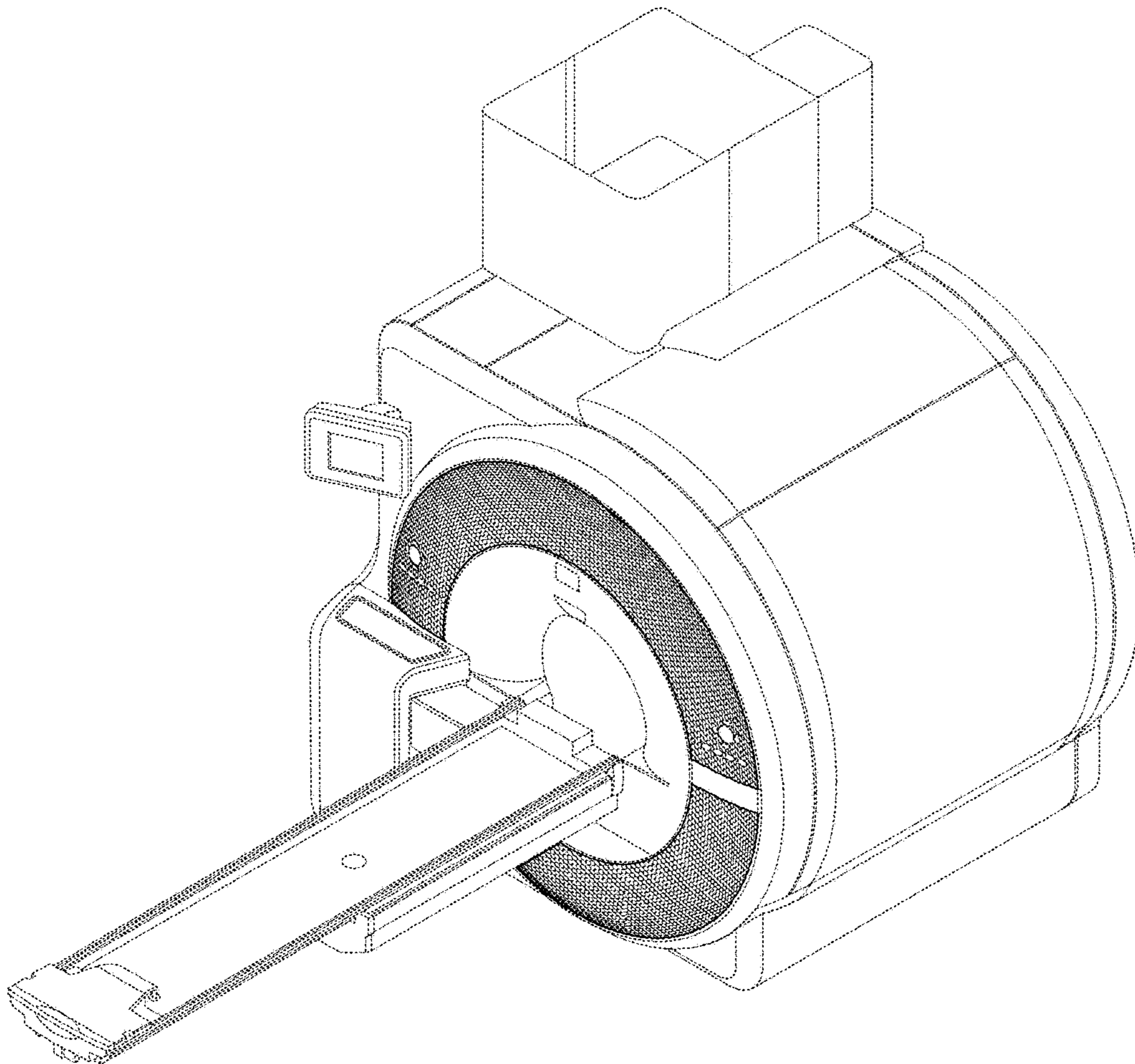


FIG. 8

