



US00D835787S

(12) **United States Design Patent** (10) **Patent No.:** **US D835,787 S**
Radocy et al. (45) **Date of Patent:** **** Dec. 11, 2018**

- (54) **HELIX PROSTHESIS**
- (71) Applicant: **Therapeutic Recreation Systems, Inc.**,
Boulder, CO (US)
- (72) Inventors: **Robert Radocy**, Boulder, CO (US);
Corey John Baughman, Denver, CO (US)
- (73) Assignee: **Therapeutic Recreation Systems, Inc.**,
Boulder, CO (US)
- (**) Term: **15 Years**
- (21) Appl. No.: **29/612,928**
- (22) Filed: **Aug. 4, 2017**
- (51) **LOC (11) Cl.** **24-03**
- (52) **U.S. Cl.**
USPC **D24/155**
- (58) **Field of Classification Search**
USPC D24/155-157
CPC A61B 17/7037; A61B 17/7032; A61B 17/7291; A61B 17/8605; A61B 17/864; A61B 17/8685; A61B 17/70; A61B 17/7011; A61B 17/7035; A61B 17/7082
See application file for complete search history.

- D653,344 S * 1/2012 Bar-Shalom D24/156
- D728,892 S * 5/2015 Rogers D1/125
- D765,855 S * 9/2016 Ben-Yehuda D24/156
- 9,757,119 B2 * 9/2017 Norton A61B 17/06166
- D816,469 S * 5/2018 Toomey D8/387
- D827,825 S * 9/2018 Emanuelli D24/156
- 2012/0158137 A1 * 6/2012 Pinczewski A61F 2/0811
623/13.14

* cited by examiner

Primary Examiner — Charles D Hanson
(74) *Attorney, Agent, or Firm* — Craig R. Miles; CR MILES P.C.

(57) **CLAIM**

The ornamental design for a helix prosthesis, as shown and described.

DESCRIPTION

FIG. 1 is a perspective view of a left-hand helix showing our new design;
 FIG. 2 is a rear elevation view thereof;
 FIG. 3 is a front elevation view thereof;
 FIG. 4 is a side elevation view thereof;
 FIG. 5 is an opposite side elevation view thereof;
 FIG. 6 is a top plan view thereof;
 FIG. 7 is a bottom plan view thereof;
 FIG. 8 is a perspective view of a right-hand helix showing our new design;
 FIG. 9 is a rear elevation view thereof;
 FIG. 10 is a front elevation view thereof;
 FIG. 11 is a side elevation view thereof;
 FIG. 12 is an opposite side elevation view thereof;
 FIG. 13 is a top plan view thereof; and,
 FIG. 14 is a bottom plan view thereof.
 The broken lines shown are included for the purpose of illustrating the unclaimed portions of the article and form no part of the claim.

- (56) **References Cited**
U.S. PATENT DOCUMENTS
- 4,927,421 A * 5/1990 Goble A61F 2/0811
606/232
- 5,443,509 A * 8/1995 Boucher A61B 17/861
411/412
- 5,891,146 A * 4/1999 Simon A61B 17/863
411/414
- 6,689,153 B1 * 2/2004 Skiba A61B 17/0401
606/230
- D588,700 S * 3/2009 Anitua Aldecoa D24/156
- D628,292 S * 11/2010 Berberich D24/145

1 Claim, 8 Drawing Sheets

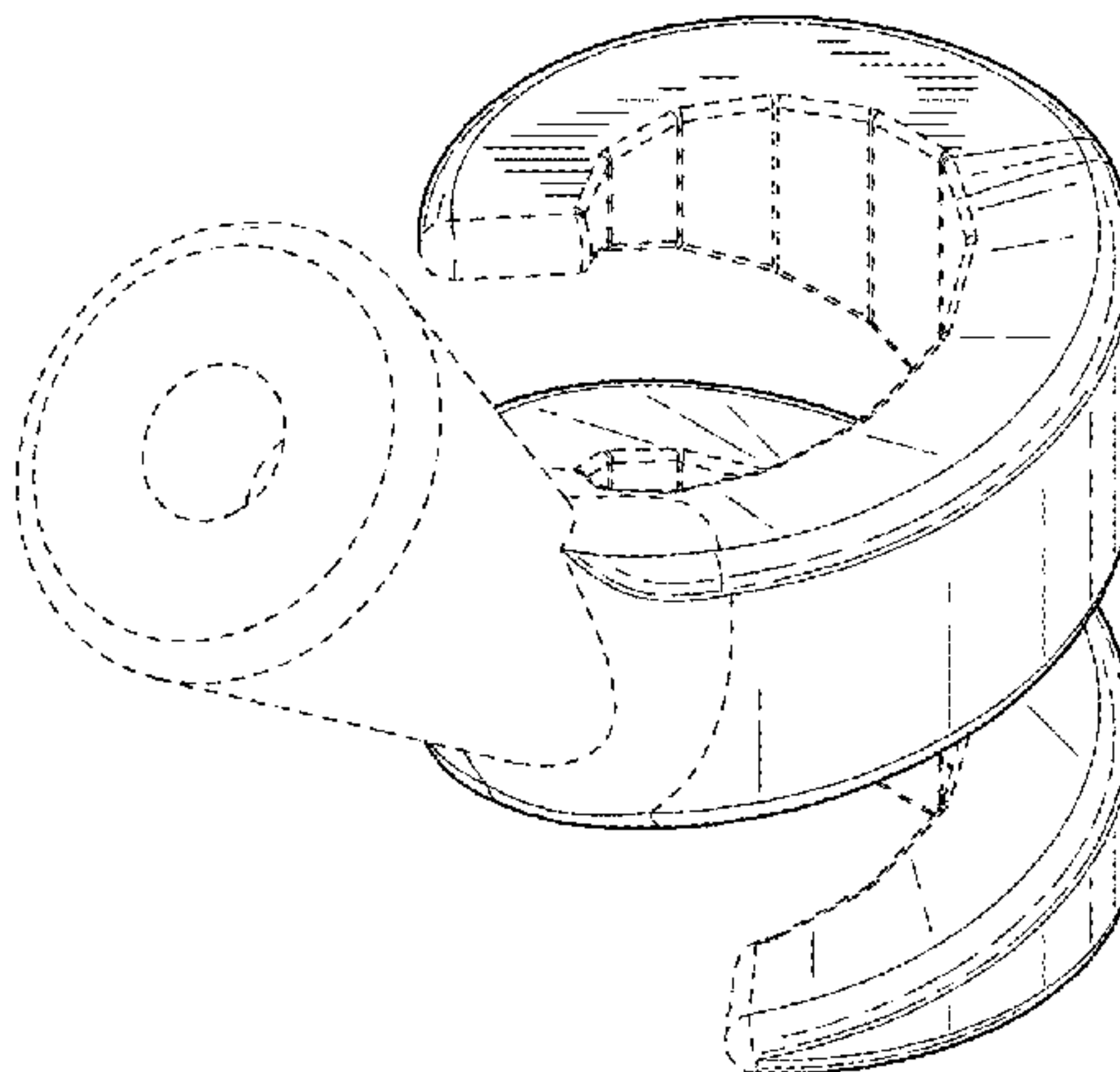


FIG. 1

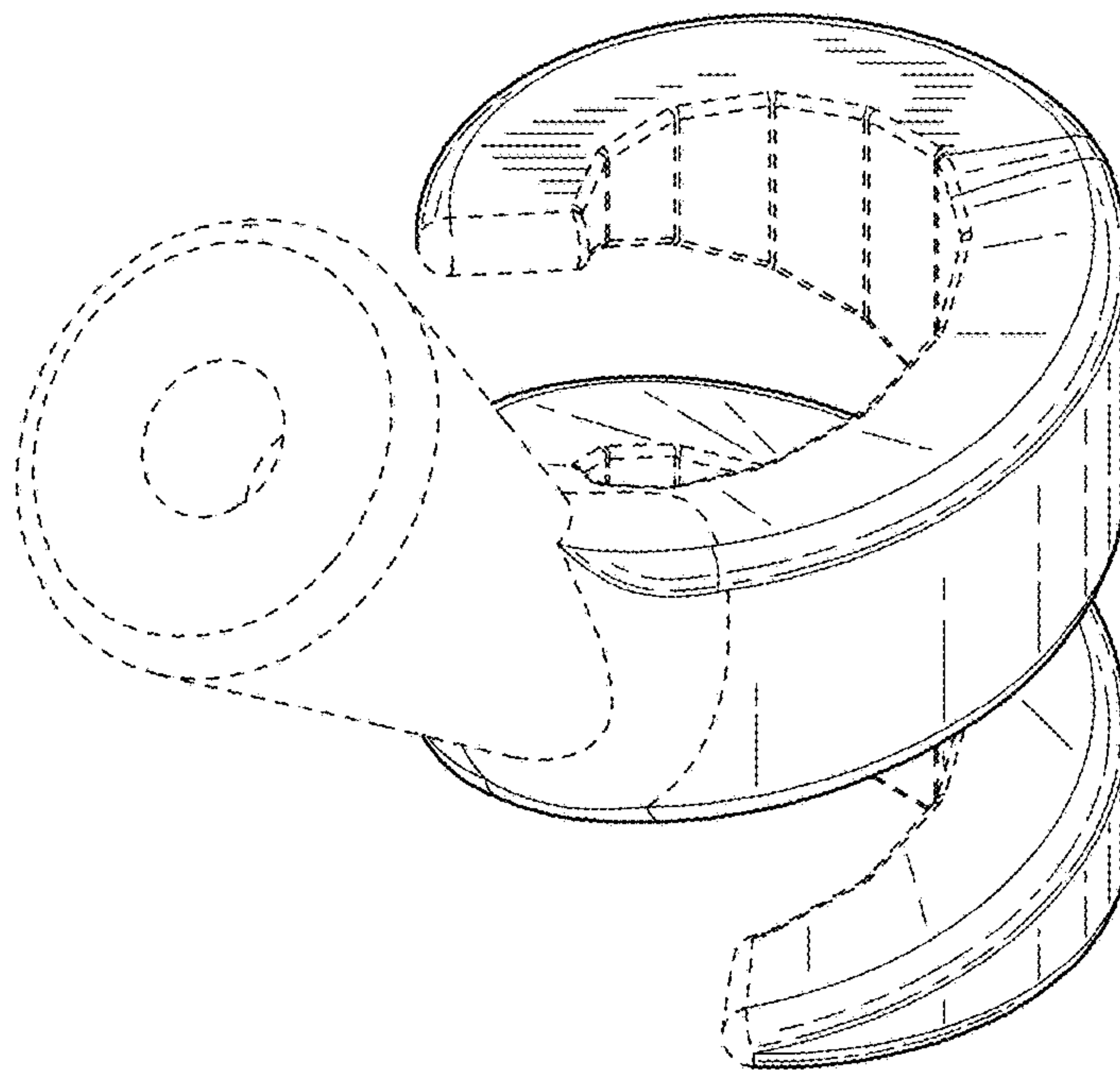


FIG. 2

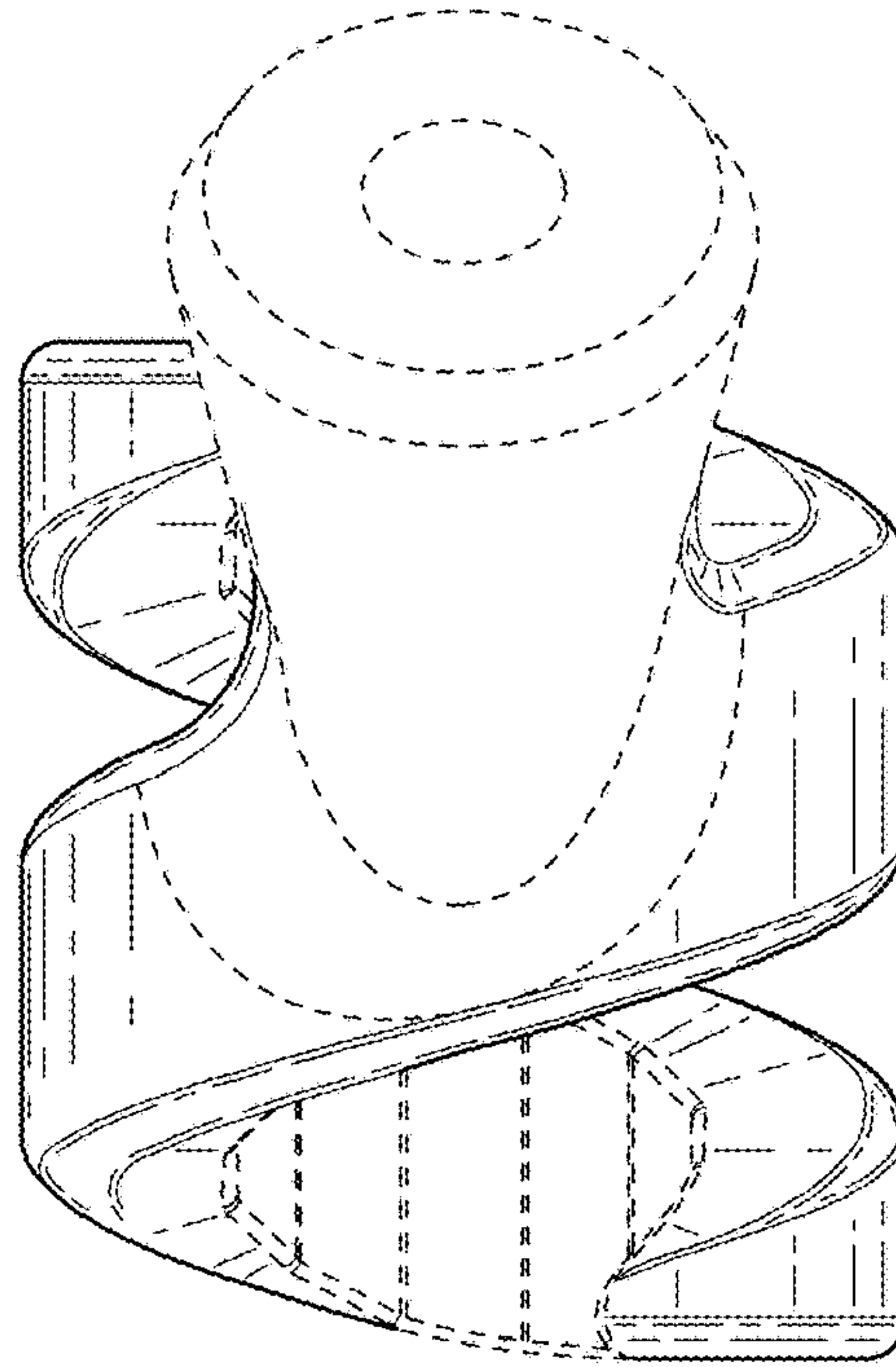


FIG. 3

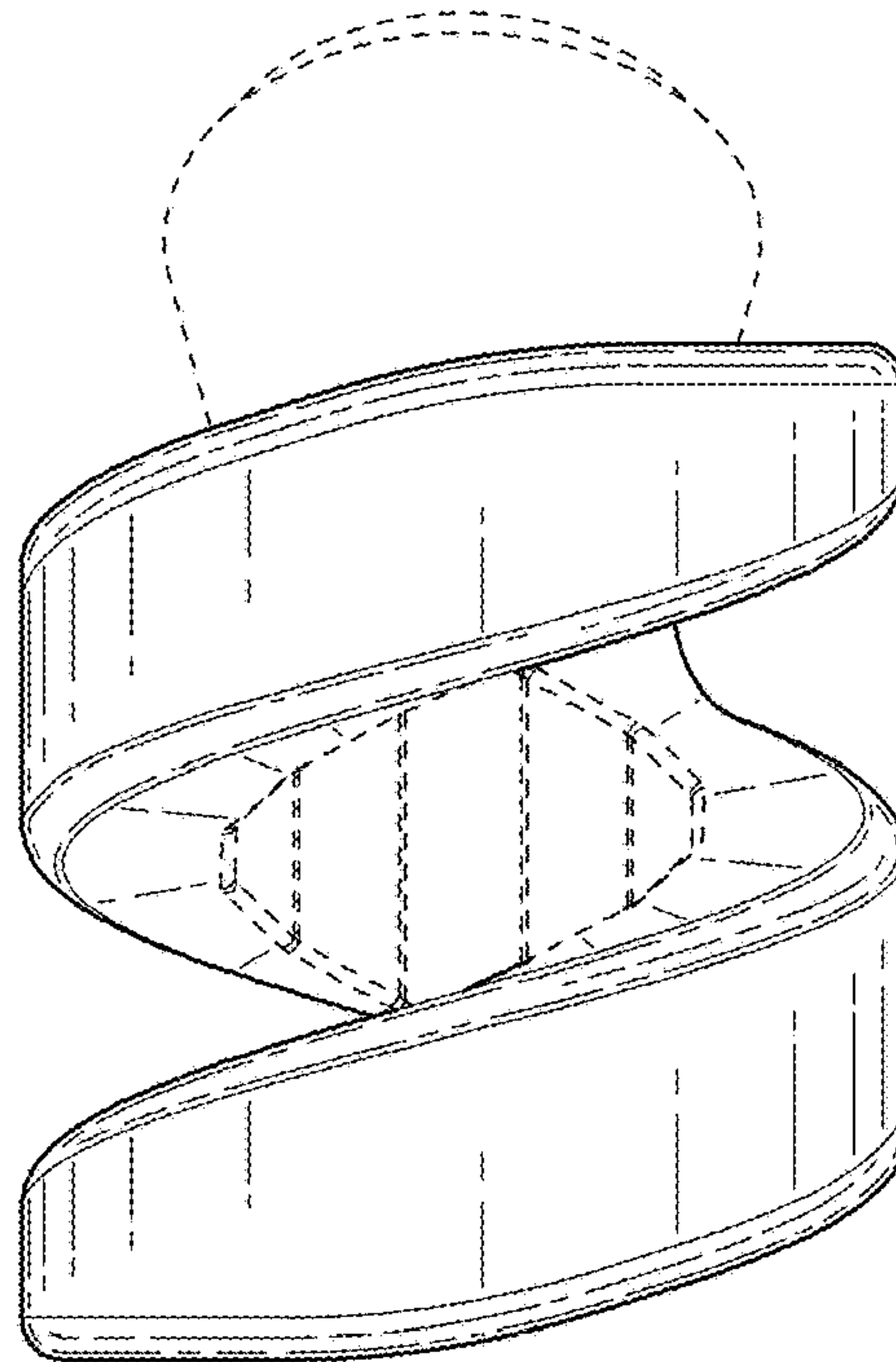


FIG. 4

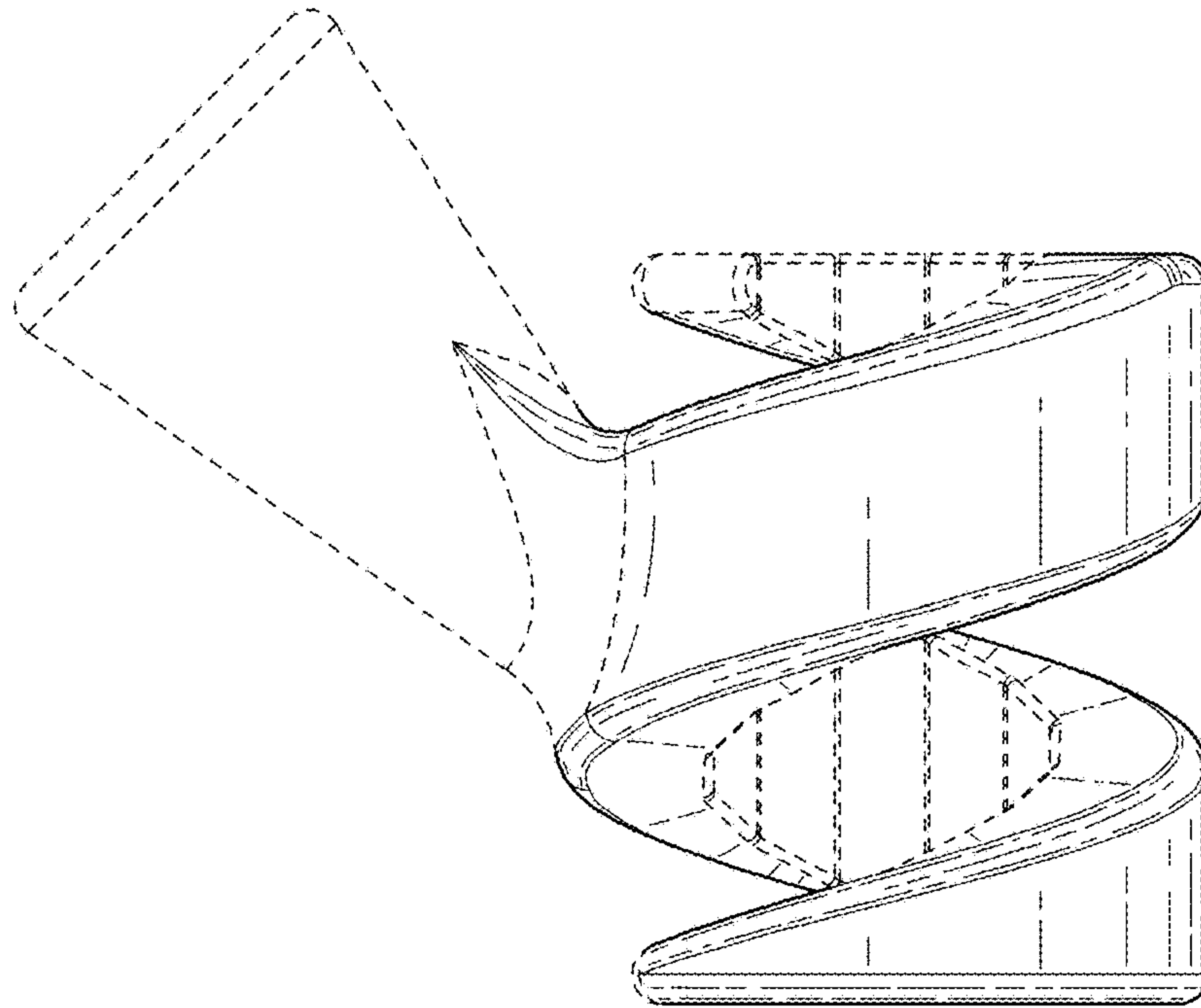


FIG. 5

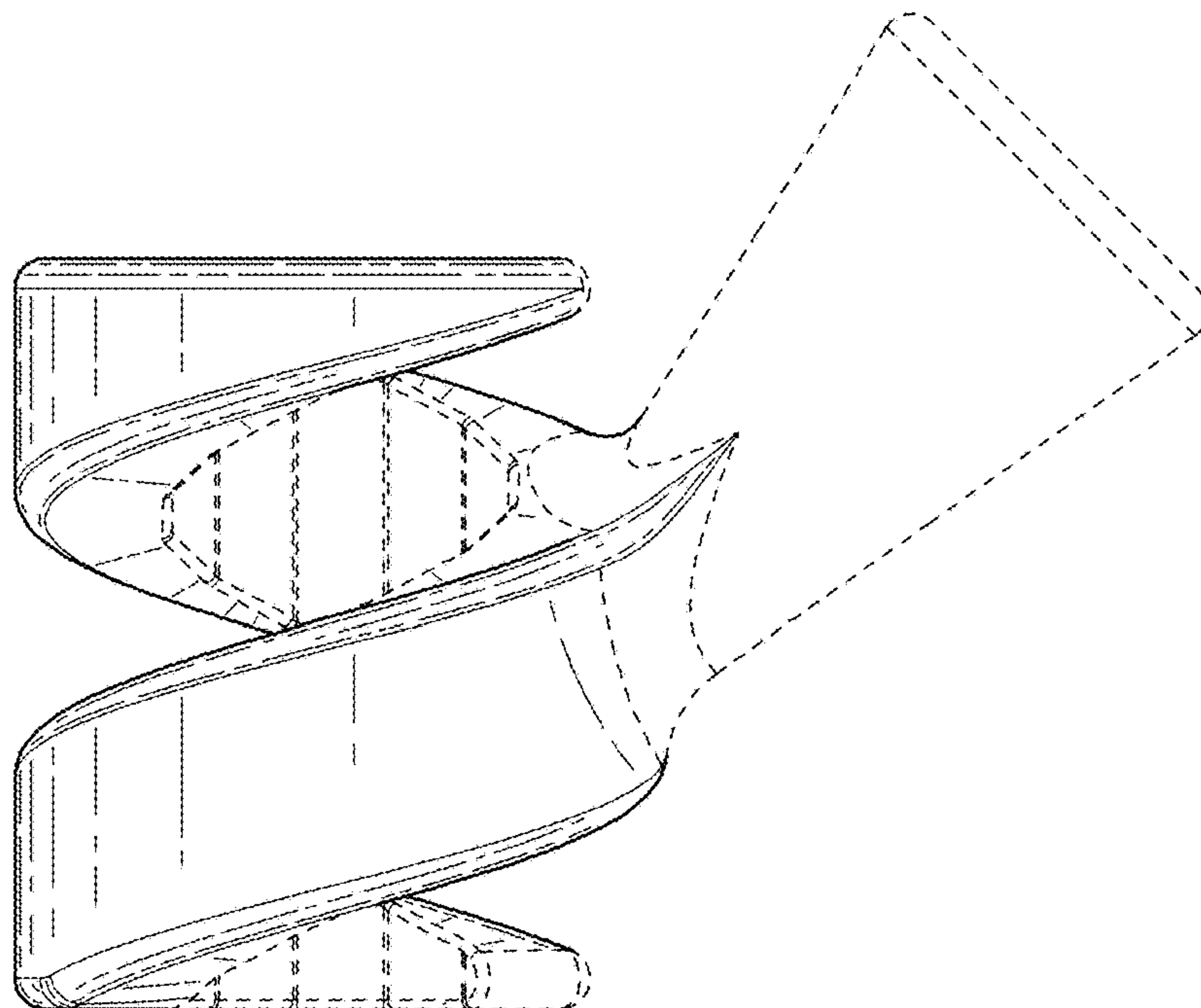


FIG. 7

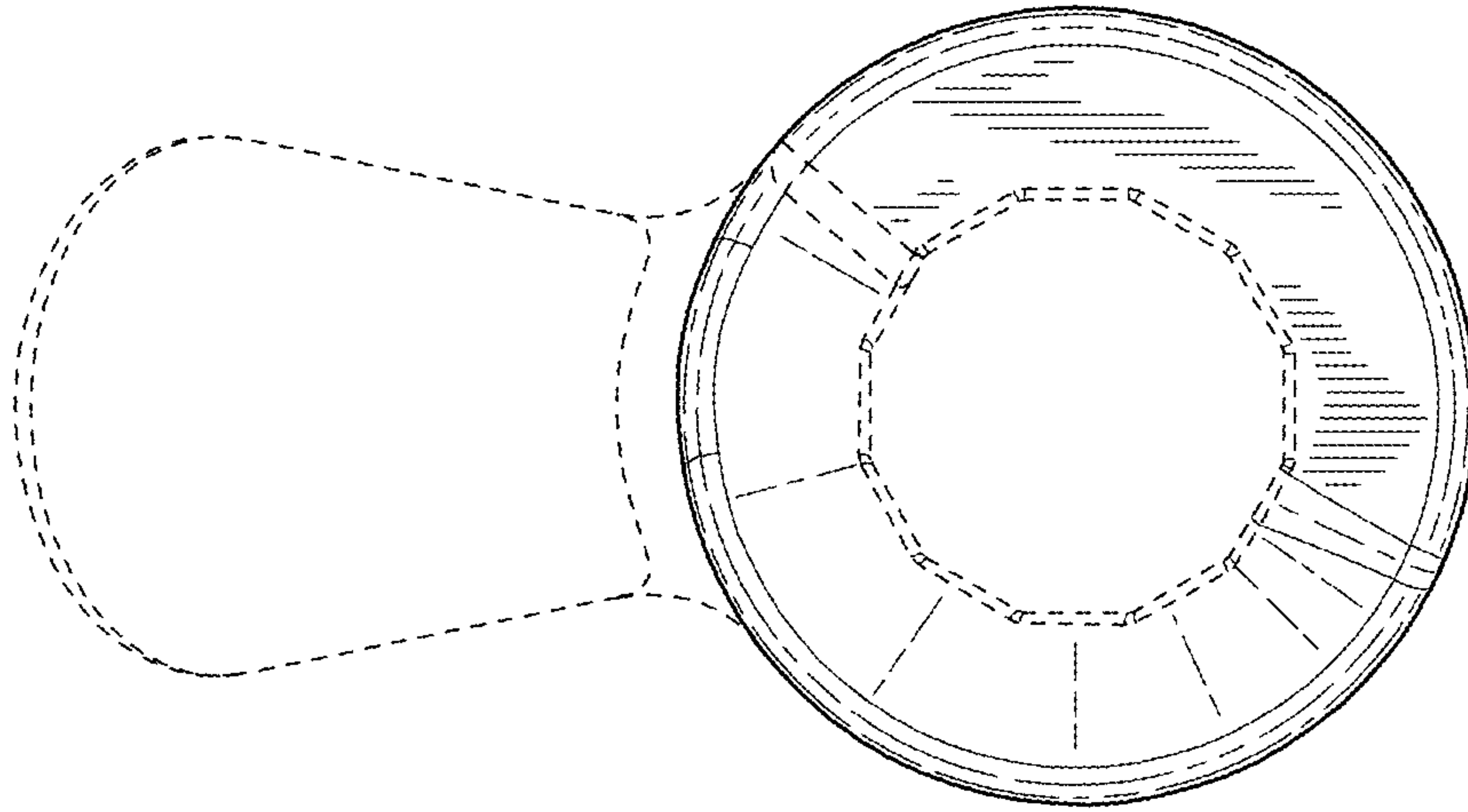


FIG. 6

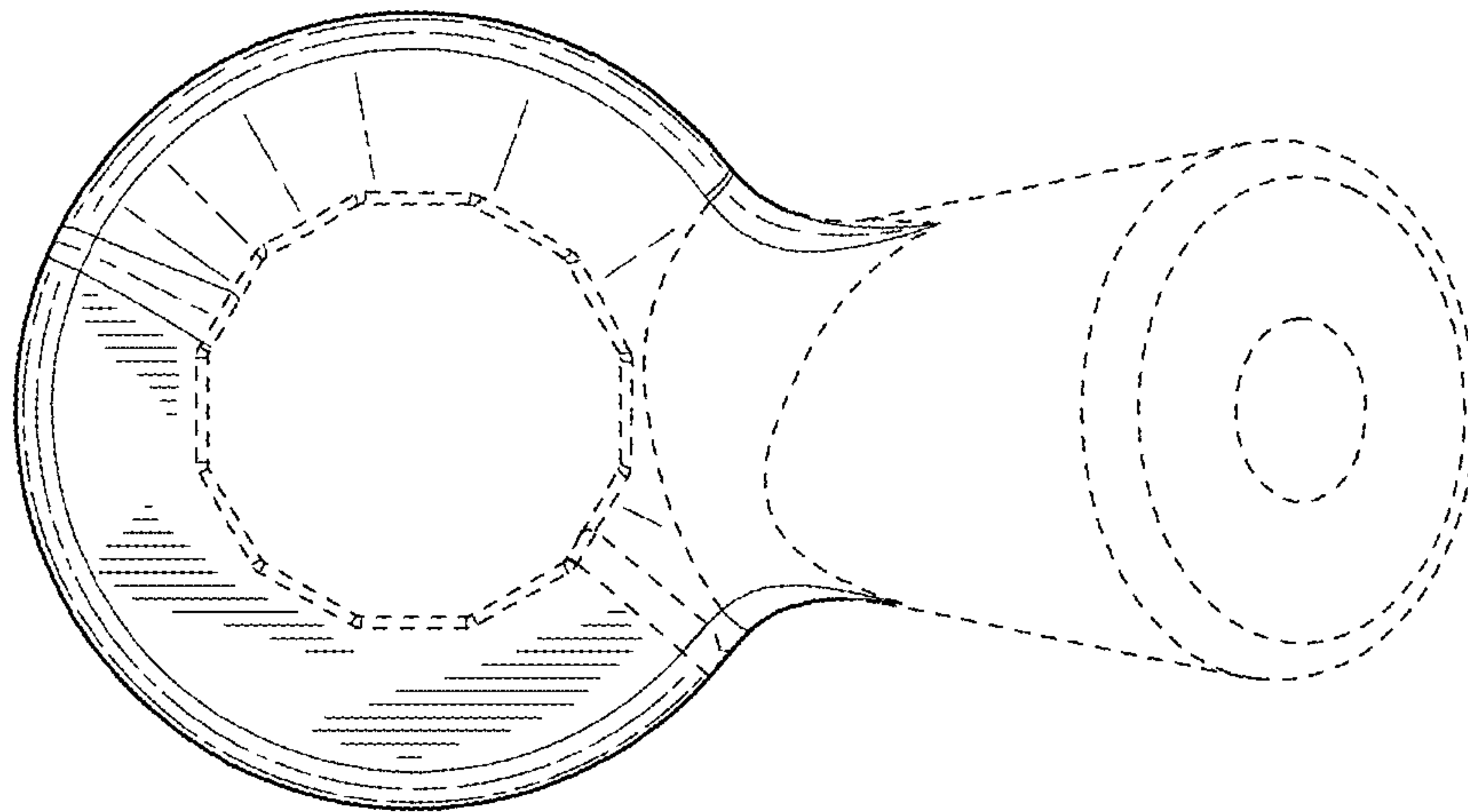


FIG. 8

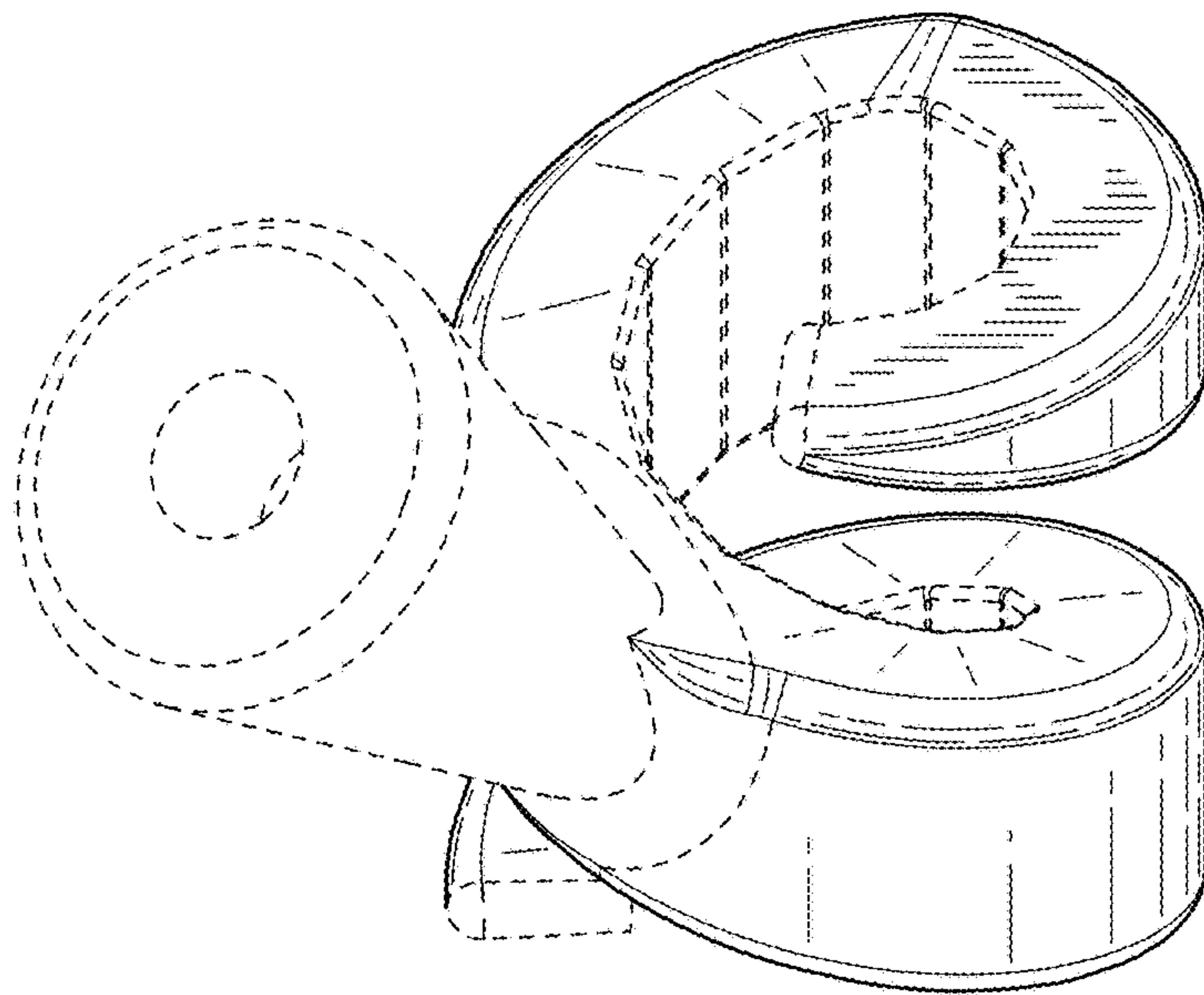


FIG. 9

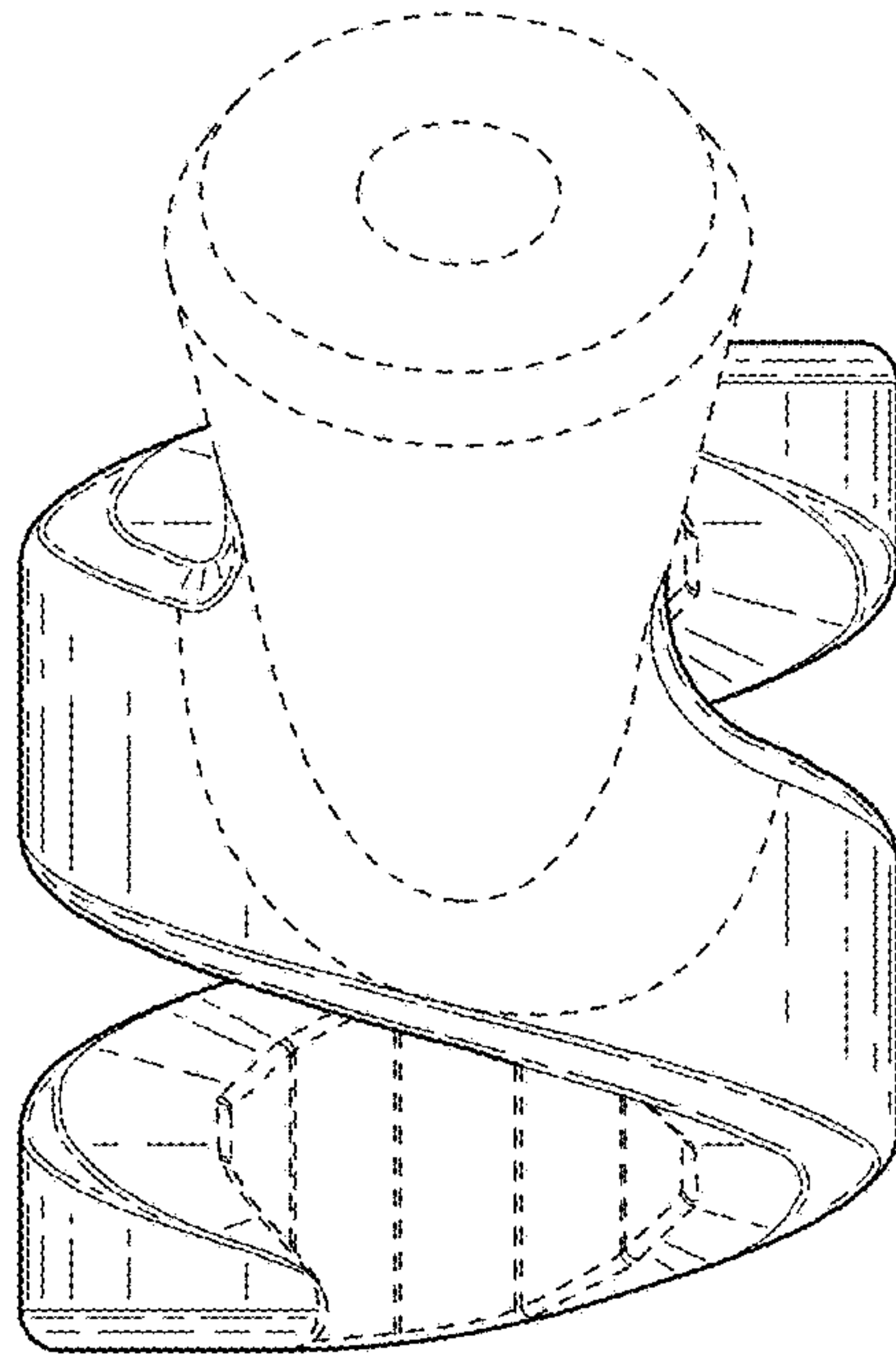


FIG. 10

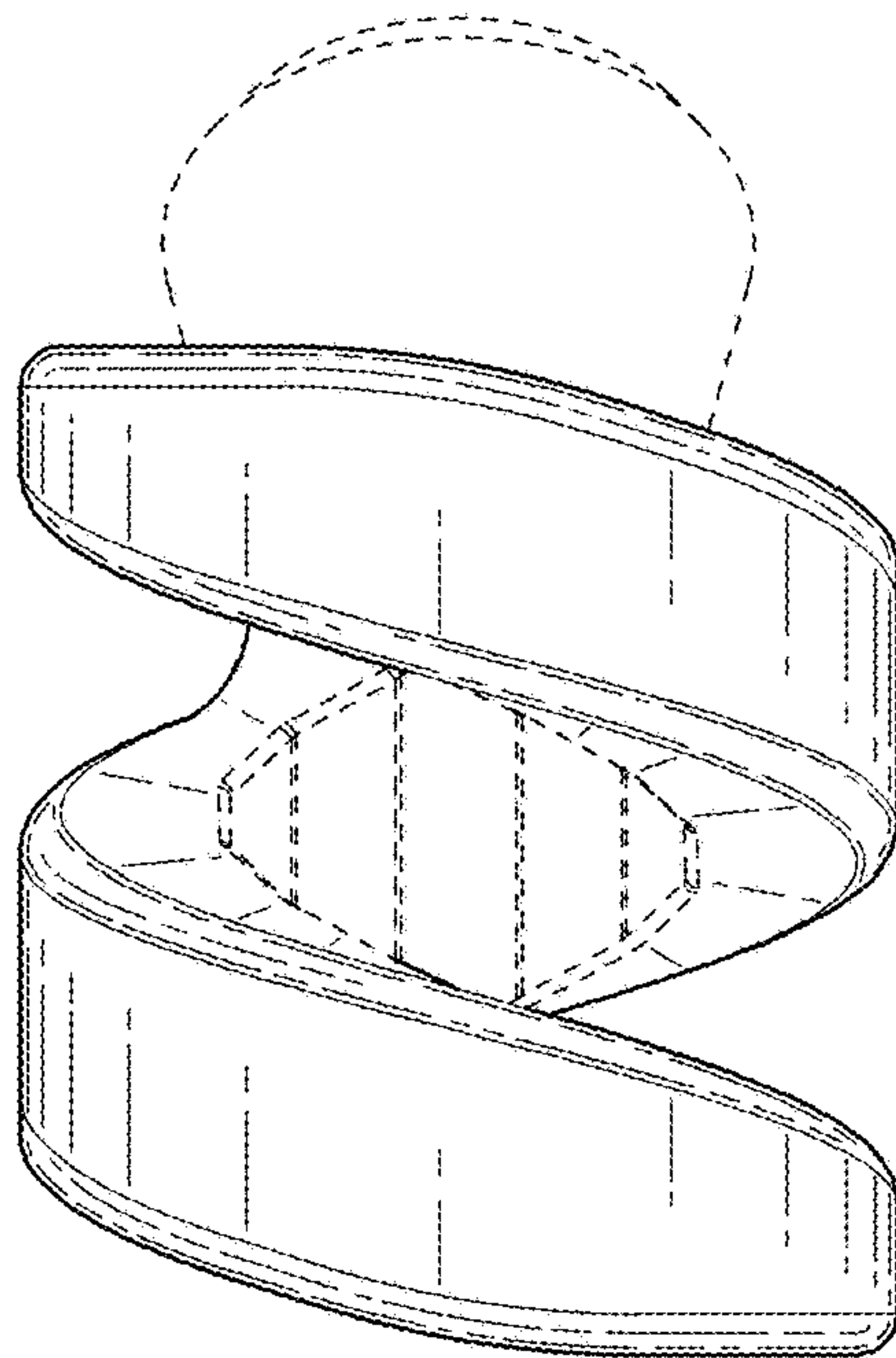


FIG. 11

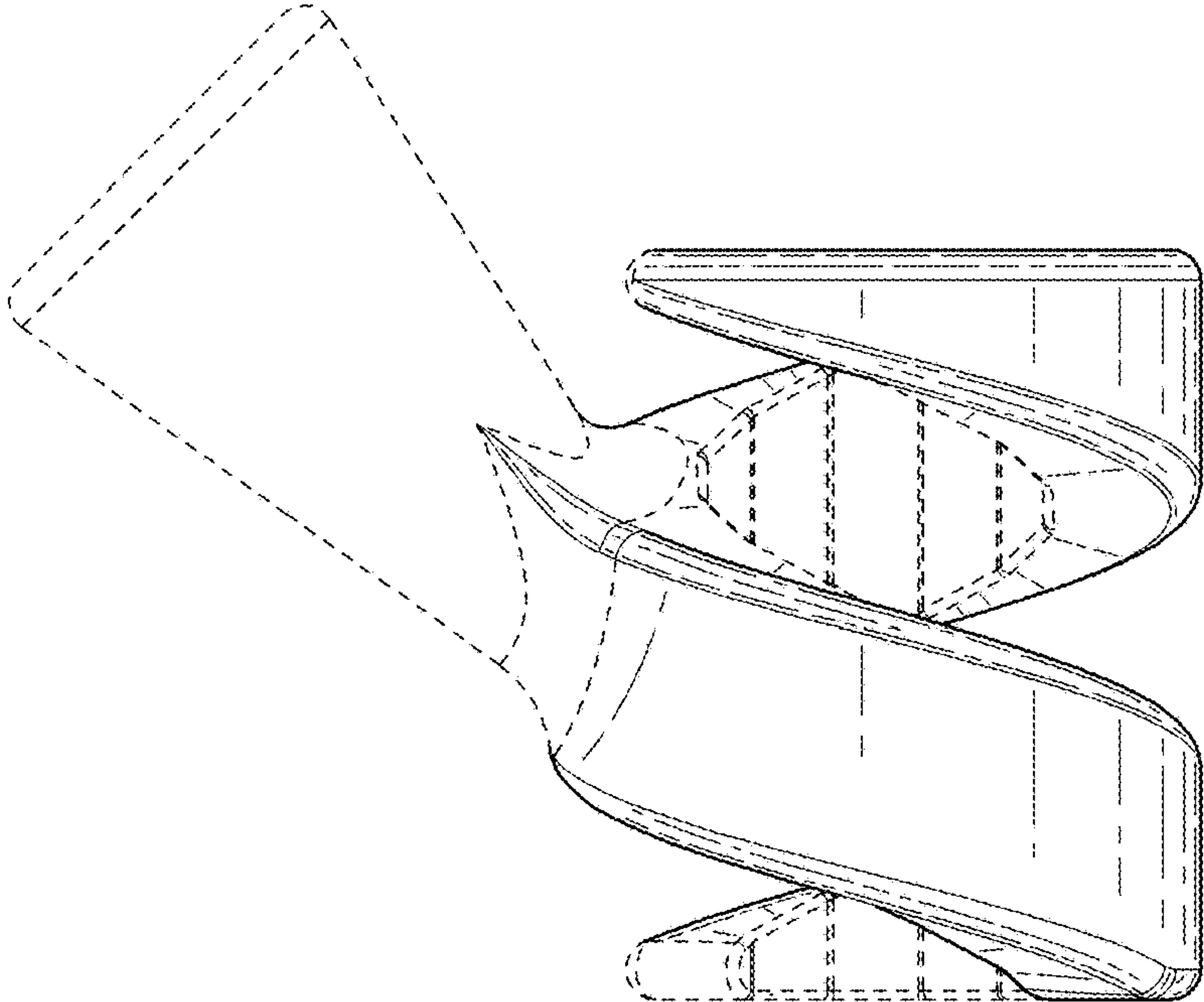


FIG. 12

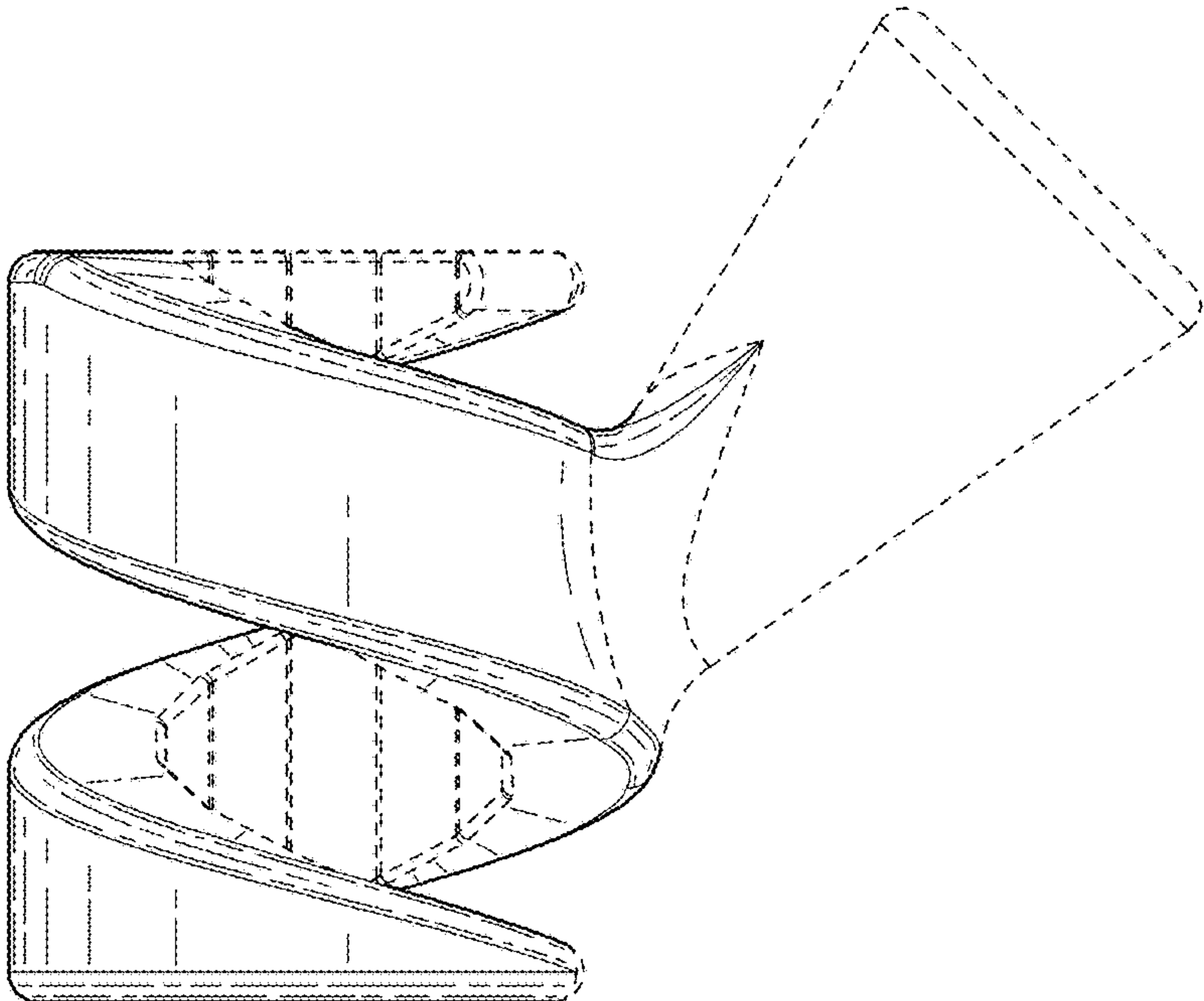


FIG. 14

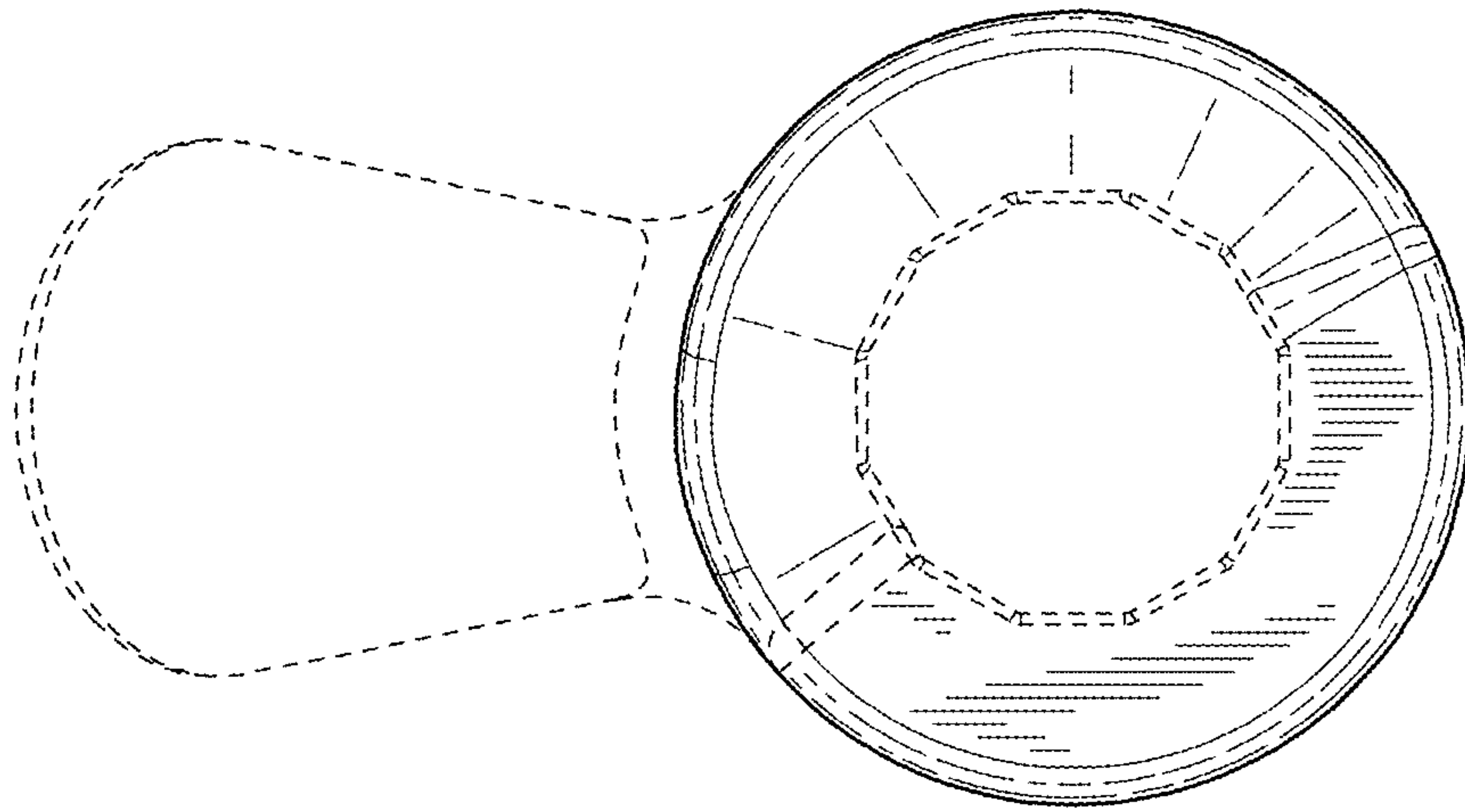


FIG. 13

