

US00D835785S

(12) **United States Design Patent**  
**Shelton, IV et al.**

(10) **Patent No.:** **US D835,785 S**  
(45) **Date of Patent:** **\*\* Dec. 11, 2018**

(54) **HANDLE FOR SURGICAL STAPLER**

**DESCRIPTION**

- (71) Applicant: **ETHICON LLC**, Guaynabo, PR (US)
- (72) Inventors: **Frederick E. Shelton, IV**, Hillsboro, OH (US); **Michael J. Vendely**, Lebanon, OH (US); **Jason L. Harris**, Lebanon, OH (US); **Brett E. Swensgard**, West Chester, OH (US); **Michael D. Auld**, Blue Ash, OH (US)
- (73) Assignee: **Ethicon LLC**, Guaynabo, PR (US)
- (\*\*) Term: **15 Years**
- (21) Appl. No.: **29/608,975**
- (22) Filed: **Jun. 27, 2017**
- (51) **LOC (11) Cl.** ..... **24-02**
- (52) **U.S. Cl.**  
USPC ..... **D24/145**
- (58) **Field of Classification Search**  
USPC ..... D24/133, 143, 145-147; D8/49, 50; D16/200, 211, 221, 229, 243, 247  
(Continued)

(56) **References Cited**

**U.S. PATENT DOCUMENTS**

- D191,802 S \* 11/1961 Beinert ..... D8/49
  - D268,681 S \* 4/1983 Hanke ..... D16/229
- (Continued)

**FOREIGN PATENT DOCUMENTS**

- EP 3123951 A1 \* 2/2017 ..... A61B 17/07207
- EP 3135216 A1 \* 3/2017 ..... A61B 17/0682

*Primary Examiner* — Wan Laymon

*Assistant Examiner* — Clint A Samuel

(74) *Attorney, Agent, or Firm* — Frost Brown Todd LLC

(57) **CLAIM**

The ornamental design for a handle for surgical stapler, as shown and described.

FIG. 1 is a front perspective view of a handle for surgical stapler, showing our new design, with a rear screen in a first position;

FIG. 2 is a rear perspective view of the handle for a surgical stapler of FIG. 1, with the rear screen in the first position;

FIG. 3 is a right elevational view of the handle for a surgical stapler of FIG. 1, with the rear screen in the first position;

FIG. 4 is a left elevational view of the handle for a surgical stapler of FIG. 1, with the rear screen in the first position;

FIG. 5 is a front elevational view of the handle for a surgical stapler of FIG. 1, with the rear screen in the first position;

FIG. 6 is a rear elevational view of the handle for a surgical stapler of FIG. 1, with the rear screen in the first position;

FIG. 7 is a top plan view of the handle for a surgical stapler of FIG. 1, with the rear screen in the first position;

FIG. 8 is a bottom plan view of the handle for a surgical stapler of FIG. 1, with the rear screen in the first position;

FIG. 9 is another front perspective view of the handle for a surgical stapler of FIG. 1, with the rear screen in a second position;

FIG. 10 is another rear perspective view of the handle for a surgical stapler of FIG. 1, with the rear screen in the second position;

FIG. 11 is another left elevational view of the handle for a surgical stapler of FIG. 1, with the rear screen in the second position;

FIG. 12 is another right elevational view of the handle for a surgical stapler of FIG. 1, with the rear screen in the second position;

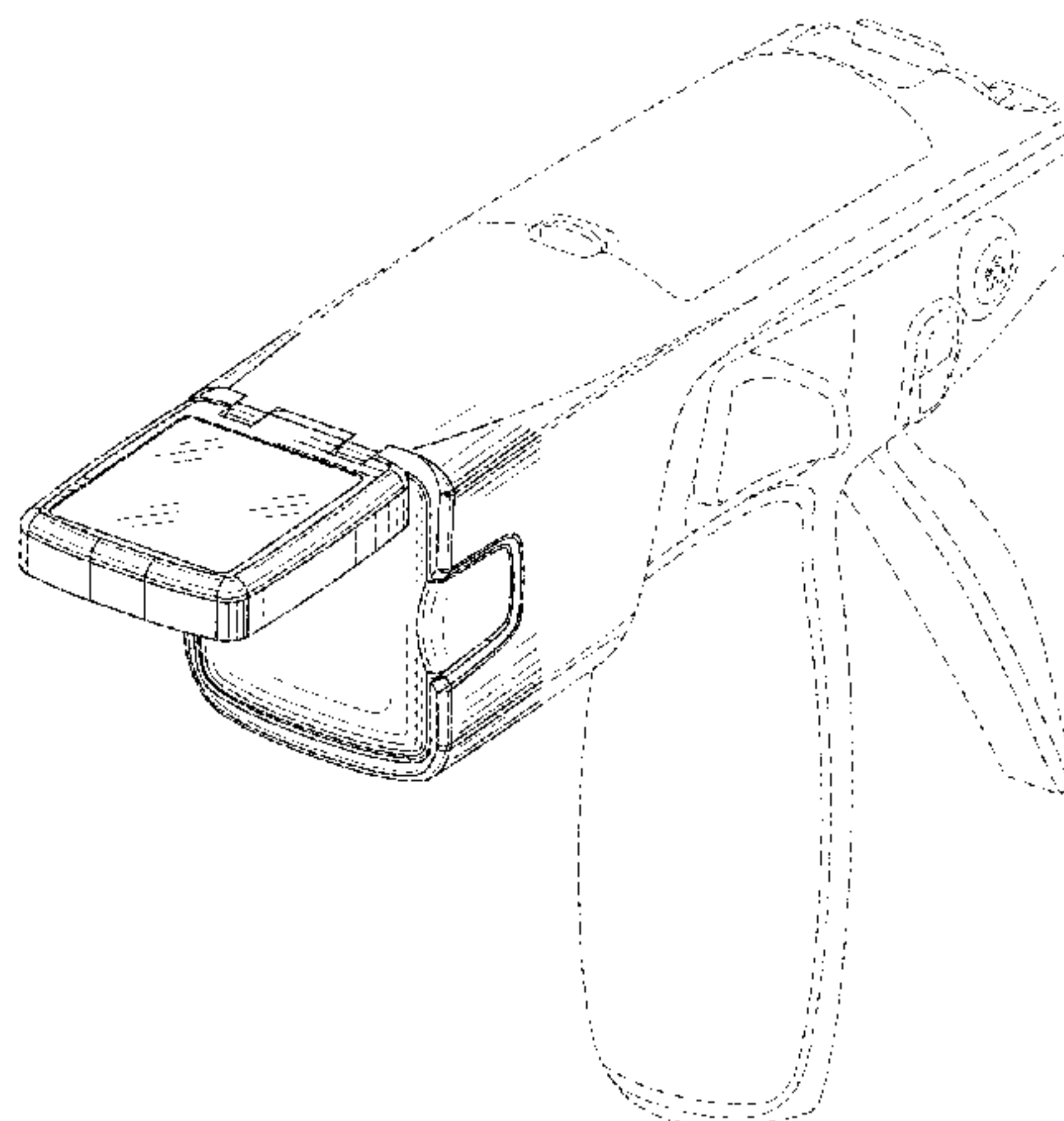
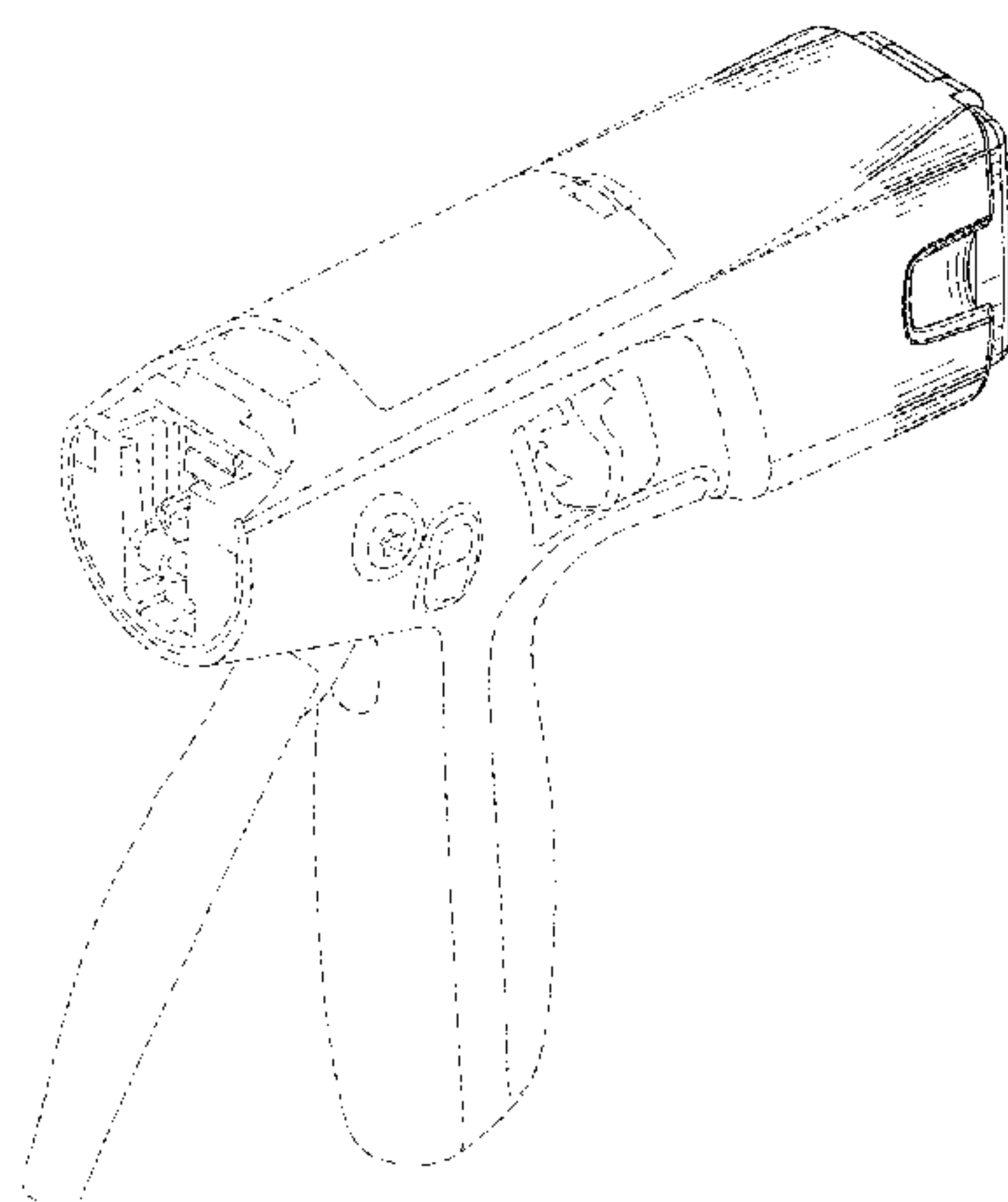
FIG. 13 is another front elevational view of the handle for a surgical stapler of FIG. 1, with the rear screen in the second position;

FIG. 14 is another rear elevational view of the handle for a surgical stapler of FIG. 1, with the rear screen in the second position;

FIG. 15 is another top plan view of the handle for a surgical stapler of FIG. 1, with the rear screen in the second position; and,

FIG. 16 is another bottom plan view of the handle for a surgical stapler of FIG. 1, with the rear screen in the second position.

(Continued)



The handle portion shown in broken lines is unclaimed environment, and forms no part of the claimed design.

**1 Claim, 16 Drawing Sheets**

(58) **Field of Classification Search**

CPC ..... A61B 17/00; A61B 17/064; A61B 17/068; A61B 17/0682; A61B 17/0684; A61B 17/115; A61B 17/072; A61B 17/0686; A61B 17/0469; A61B 17/07207; A61B 2017/2925; A61B 2017/00017

See application file for complete search history.

(56) **References Cited**

U.S. PATENT DOCUMENTS

D311,122 S \* 10/1990 Johnsson ..... D8/49  
 D327,323 S \* 6/1992 Hunt ..... D24/145  
 D381,077 S \* 7/1997 Hunt ..... D24/145  
 D540,838 S \* 4/2007 Aronsson ..... D16/206  
 D650,074 S \* 12/2011 Hunt ..... D24/133  
 D758,158 S \* 6/2016 Beukema ..... D8/49  
 D800,904 S \* 10/2017 Leimbach ..... D24/145  
 2011/0155785 A1\* 6/2011 Laurent ..... A61B 17/068  
 74/109  
 2011/0290856 A1\* 12/2011 Shelton, IV ..... A61B 34/30  
 227/180.1  
 2014/0239042 A1\* 8/2014 Simms ..... A61B 17/07207  
 227/176.1

2014/0263562 A1\* 9/2014 Patel ..... A61B 17/07207  
 227/178.1  
 2015/0173789 A1\* 6/2015 Baxter, III ..... A61B 17/07207  
 606/130  
 2015/0272557 A1\* 10/2015 Overmyer ..... G05B 19/05  
 606/1  
 2015/0297229 A1\* 10/2015 Schellin ..... A61B 17/068  
 227/177.1  
 2015/0374373 A1\* 12/2015 Rector ..... A61B 17/0644  
 606/219  
 2017/0055982 A1\* 3/2017 Zeiner ..... A61B 17/0682  
 2017/0056015 A1\* 3/2017 Harris ..... A61B 17/105  
 2017/0079641 A1\* 3/2017 Overmyer ..... G01R 19/00  
 2017/0079650 A1\* 3/2017 Yates ..... A61B 17/00  
 2017/0105731 A1\* 4/2017 Scheib ..... A61B 17/068  
 2017/0105782 A1\* 4/2017 Scheib ..... A61B 18/1445  
 2017/0119385 A1\* 5/2017 Shelton, IV ..... A61B 17/072  
 2017/0119386 A1\* 5/2017 Scheib ..... A61B 17/07207  
 2017/0119391 A1\* 5/2017 Schellin ..... A61B 17/105  
 2017/0189015 A1\* 7/2017 Adams ..... A61B 17/072  
 2017/0281178 A1\* 10/2017 Shelton, IV ..... A61B 17/105  
 2017/0281180 A1\* 10/2017 Morgan ..... A61B 17/105  
 2017/0296169 A1\* 10/2017 Yates ..... A61B 17/068  
 2017/0296213 A1\* 10/2017 Swensgard ..... A61B 17/068  
 2017/0303926 A1\* 10/2017 Scheib ..... A61B 17/105  
 2017/0303952 A1\* 10/2017 Nativ ..... A61B 17/068  
 2017/0311944 A1\* 11/2017 Morgan ..... A61B 17/105  
 2018/0000483 A1\* 1/2018 Leimbach ..... A61B 17/10  
 2018/0085117 A1\* 3/2018 Shelton, IV ..... A61B 17/07207  
 2018/0095487 A1\* 4/2018 Leimbach ..... G05F 1/61  
 2018/0168602 A1\* 6/2018 Bakos ..... A61B 17/07207  
 2018/0168634 A1\* 6/2018 Harris ..... A61B 17/07207  
 2018/0168649 A1\* 6/2018 Shelton, IV ..... A61B 17/07207

\* cited by examiner

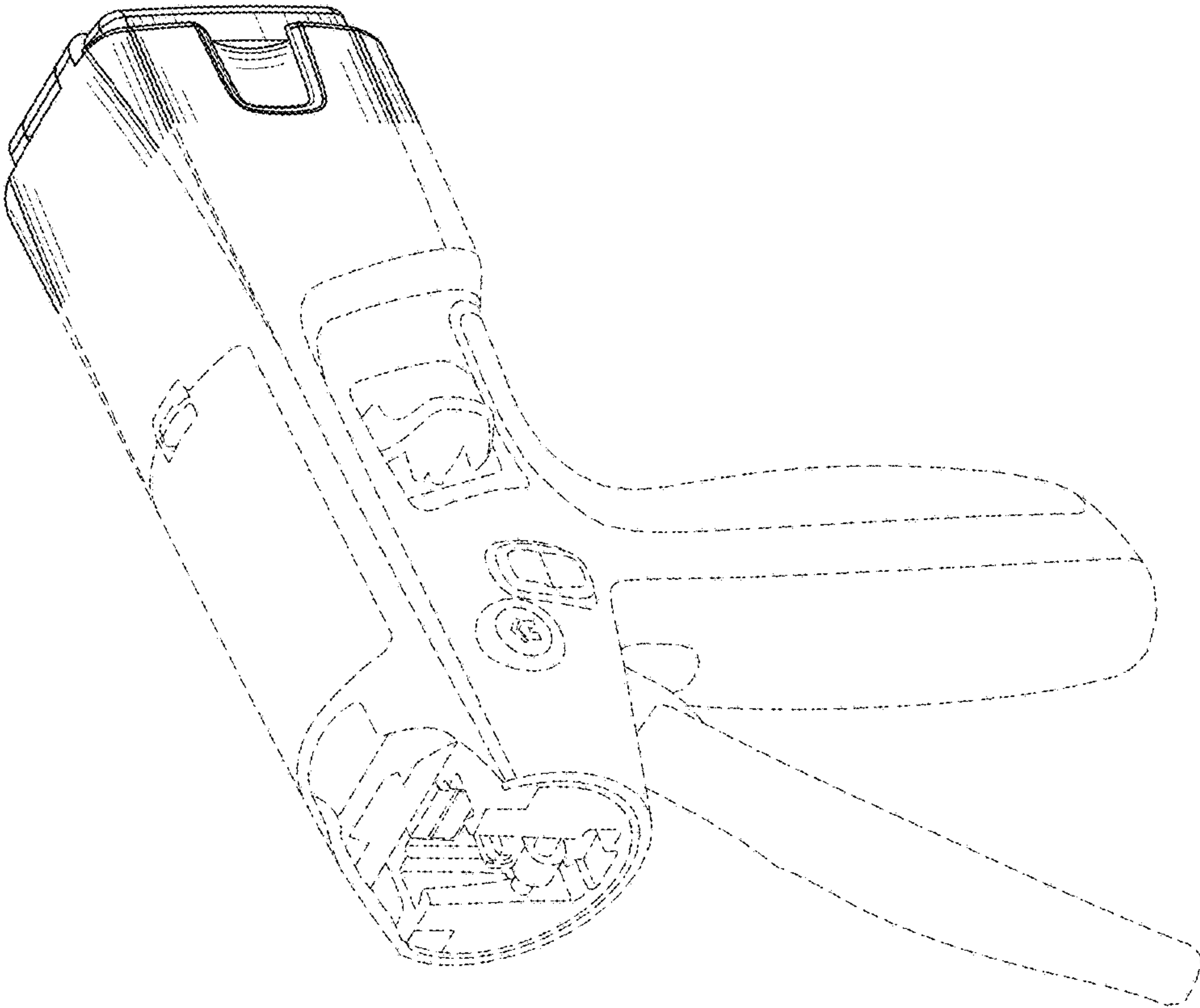


Fig. 1



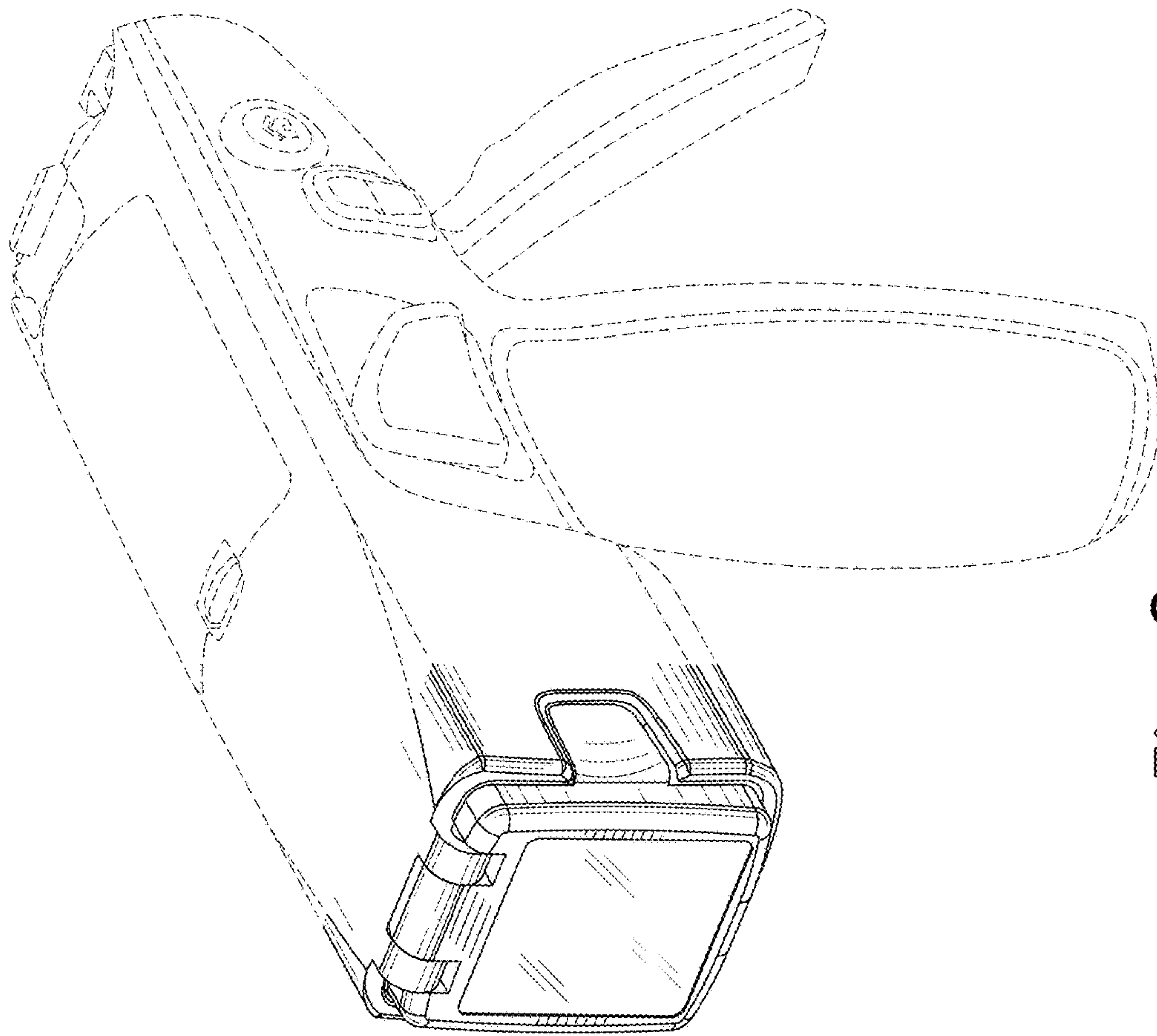


Fig. 2

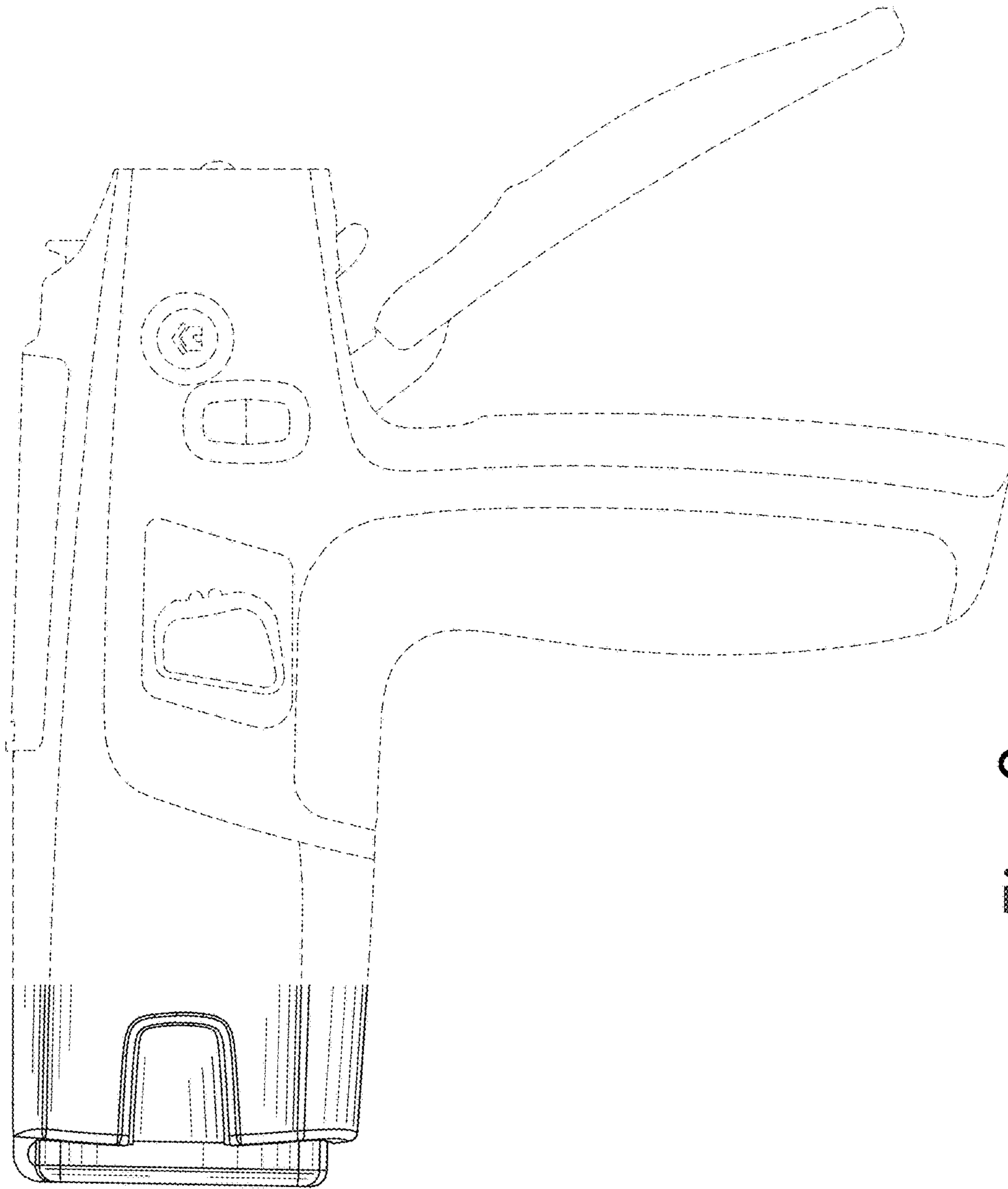


Fig. 3

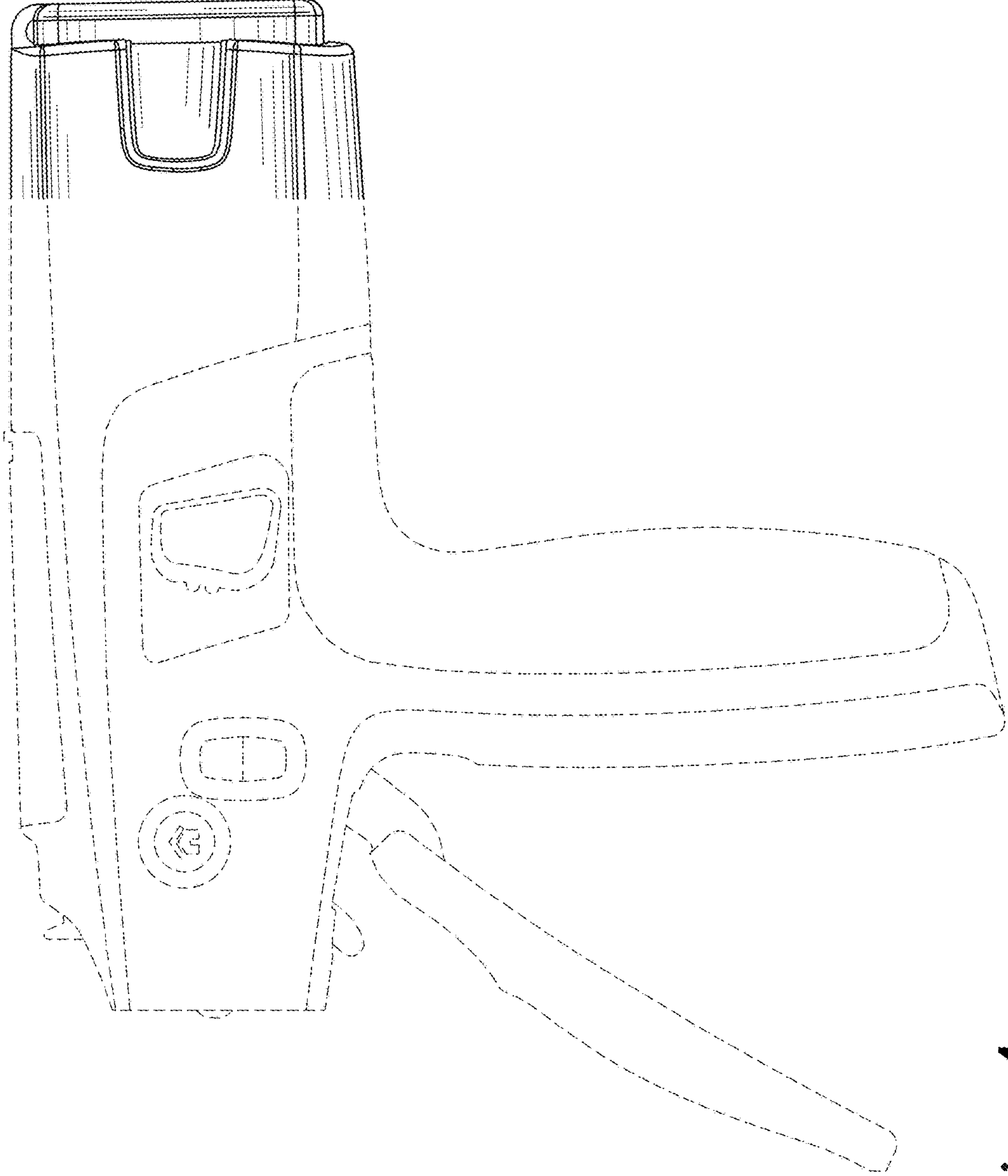


Fig. 4

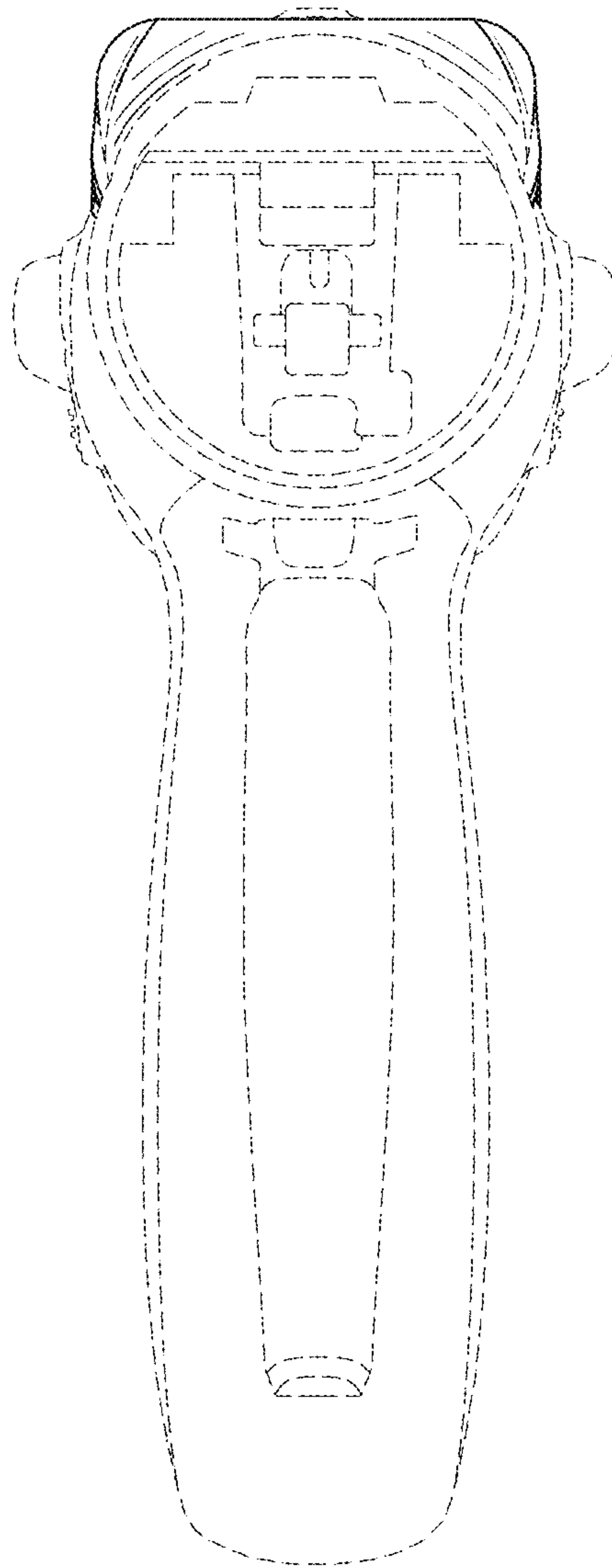


Fig. 5

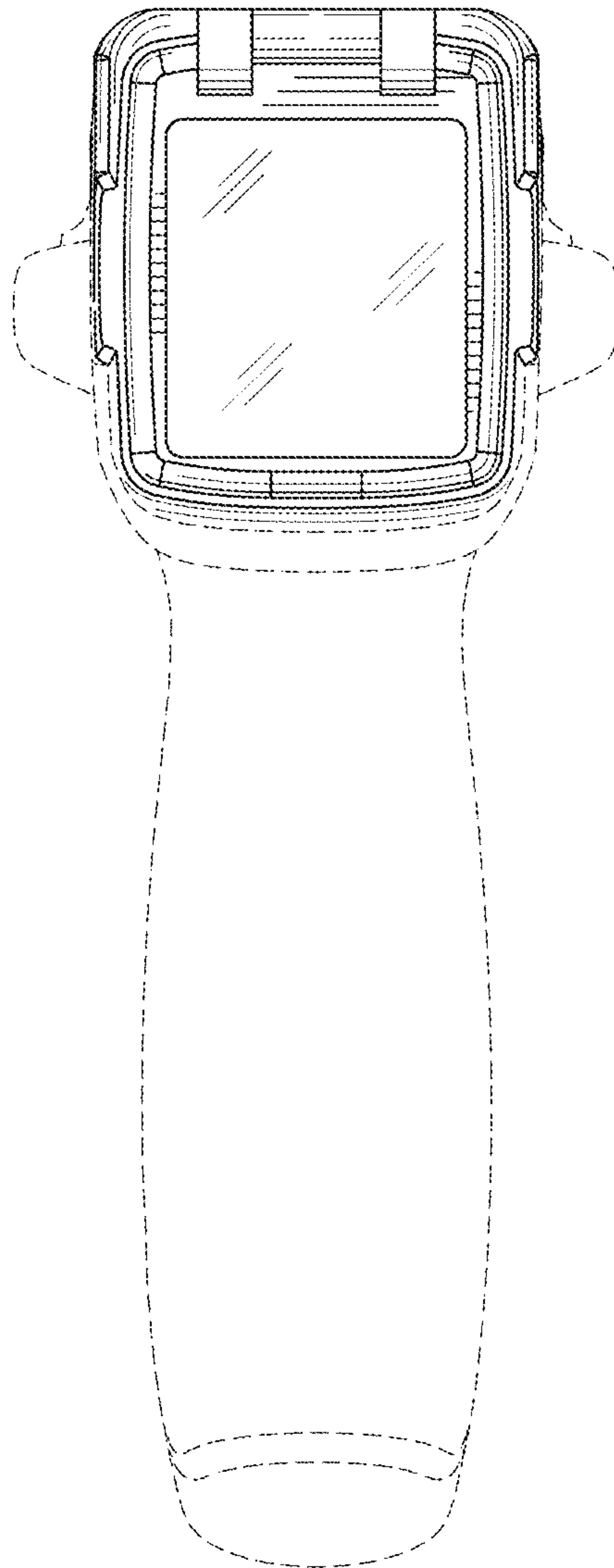


Fig. 6



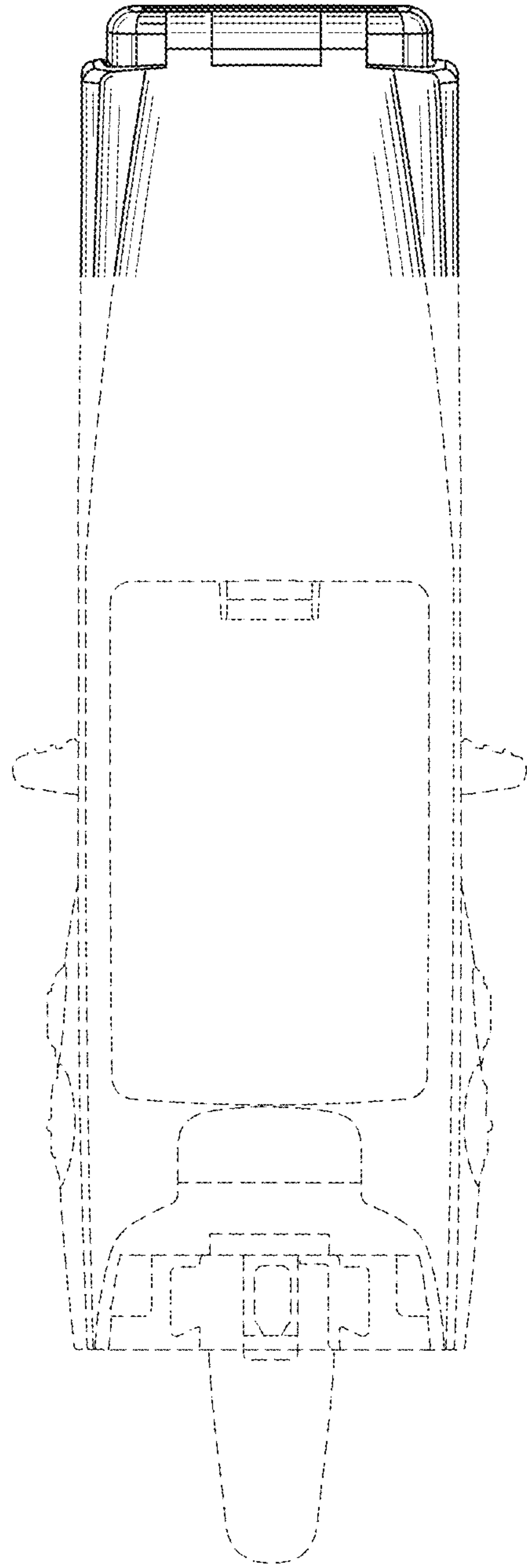


Fig. 7

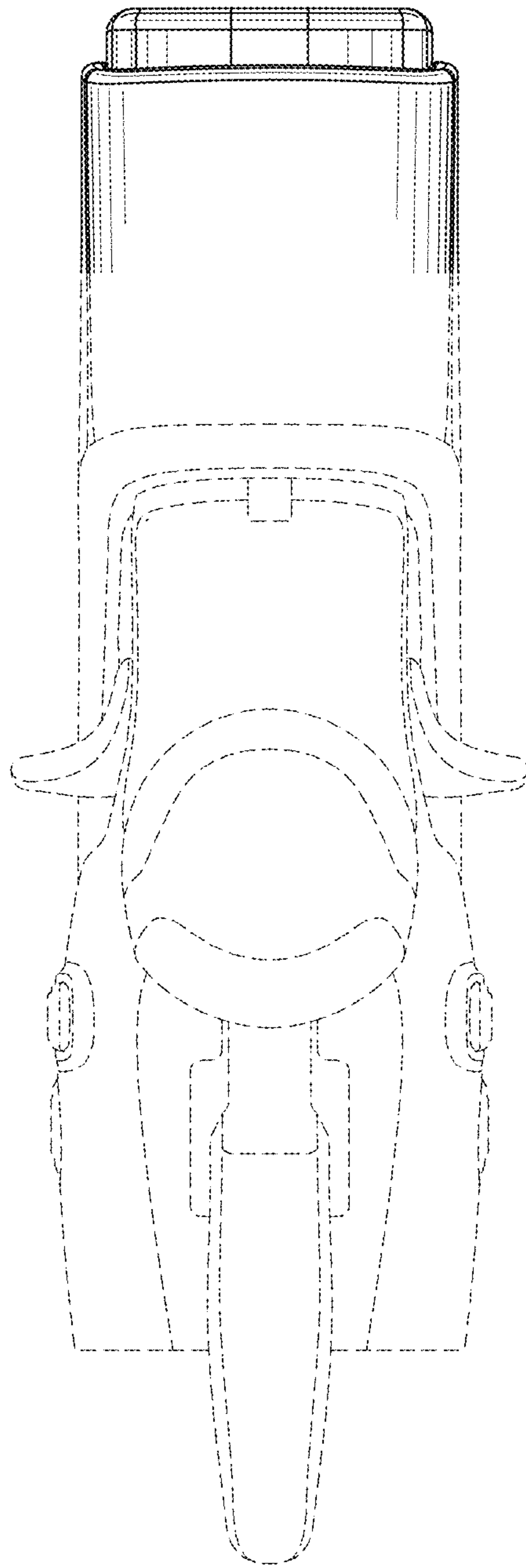


Fig. 8

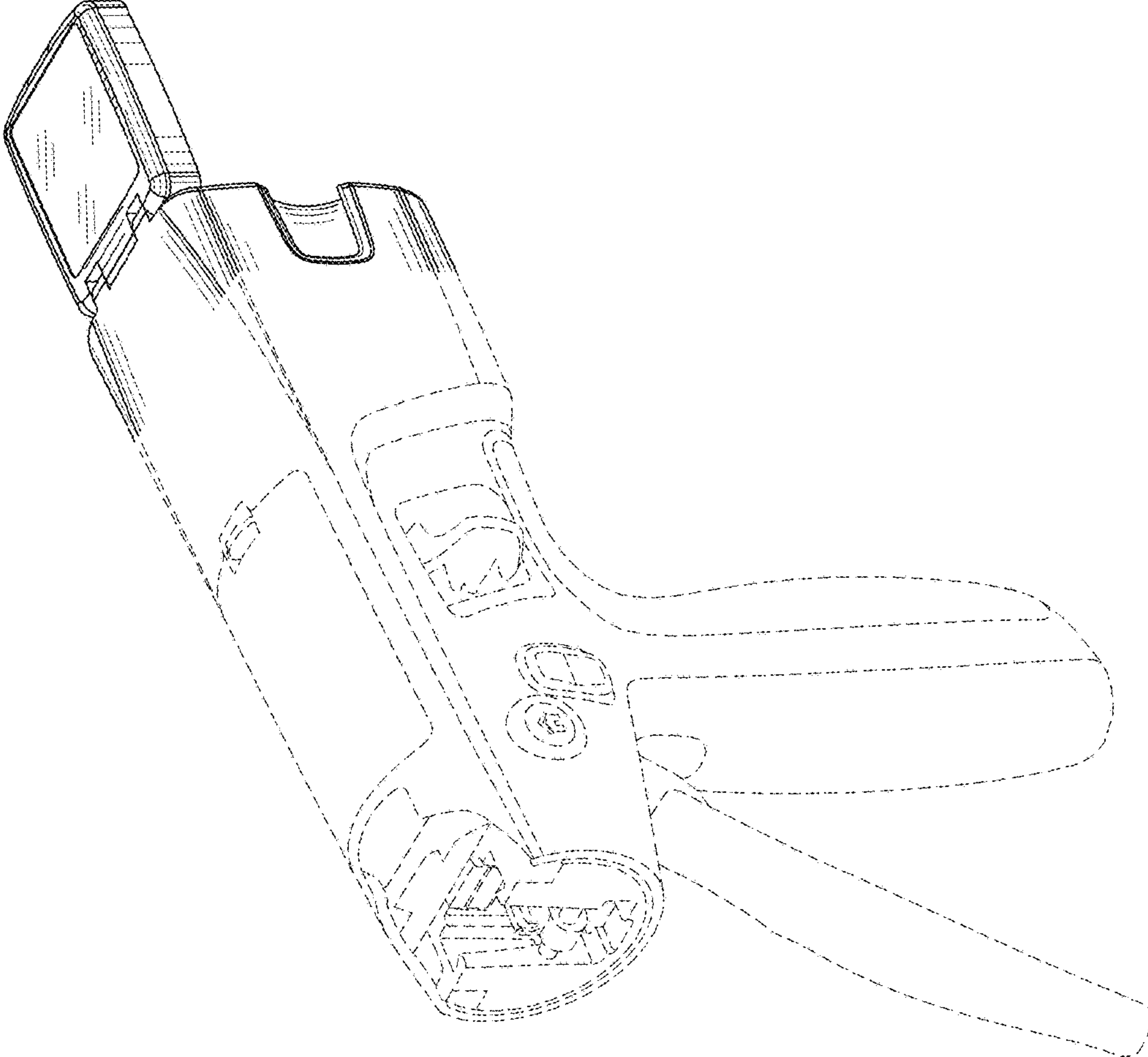


Fig. 9

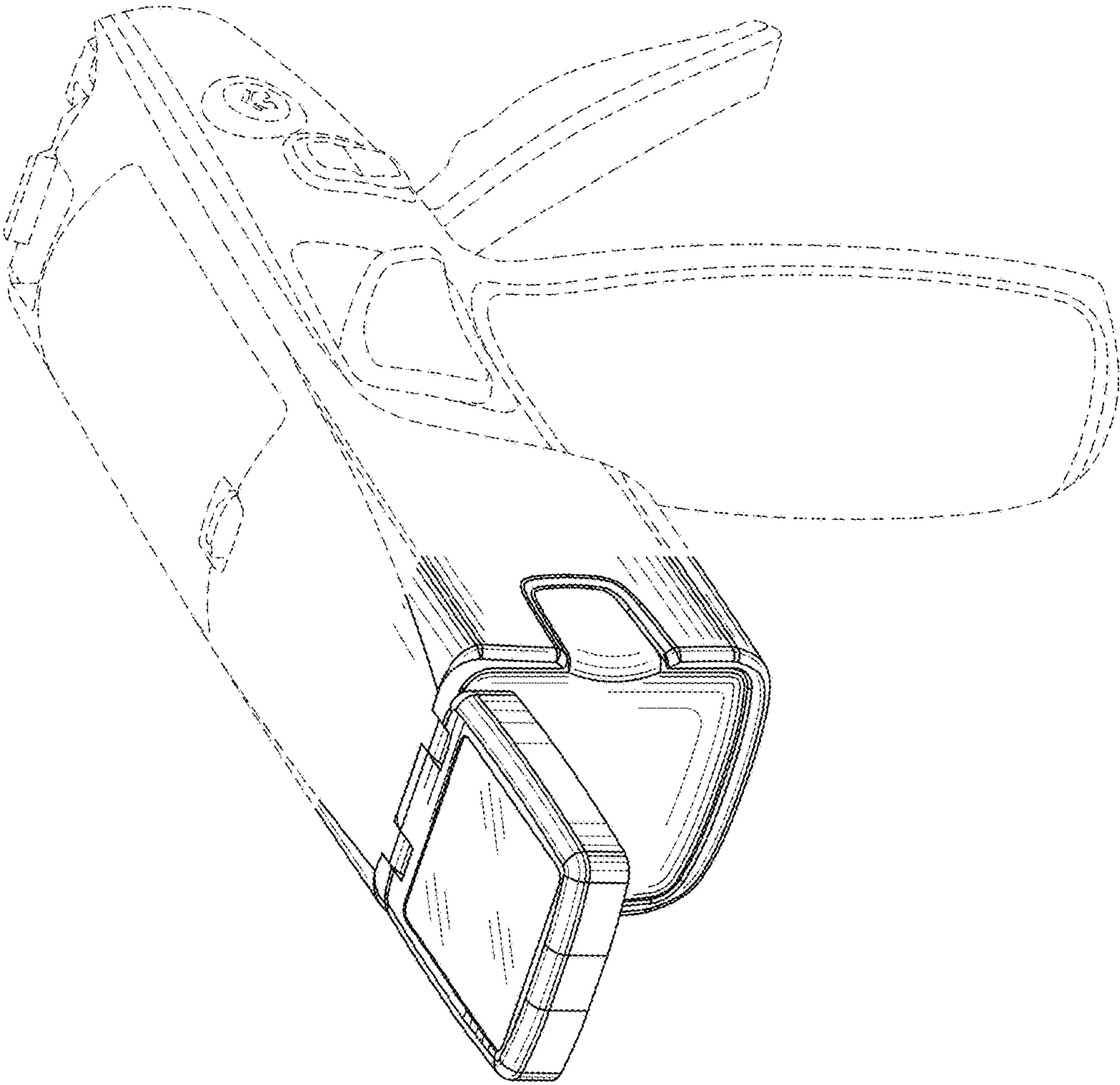


Fig. 10

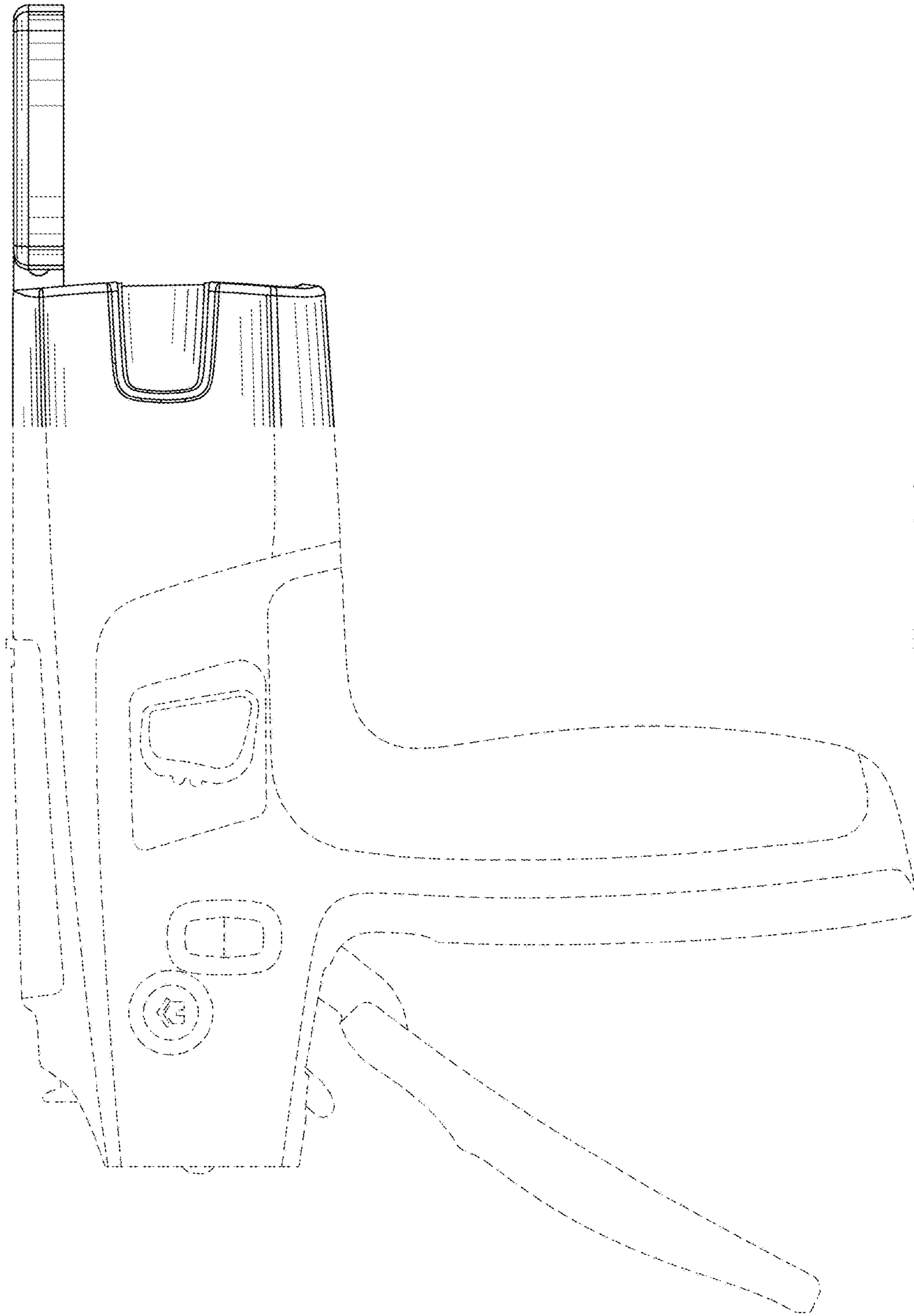


Fig. 11



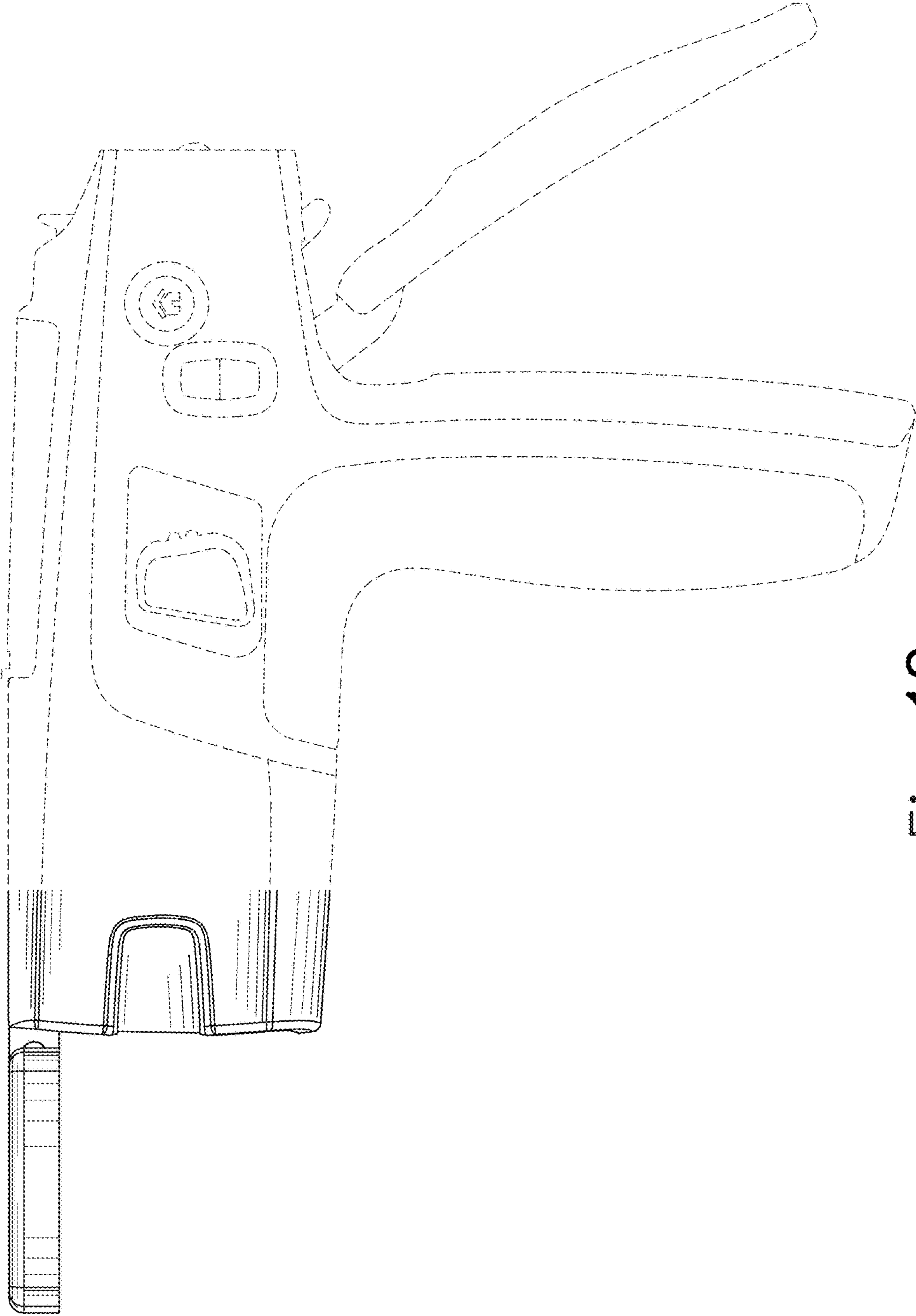


Fig. 12

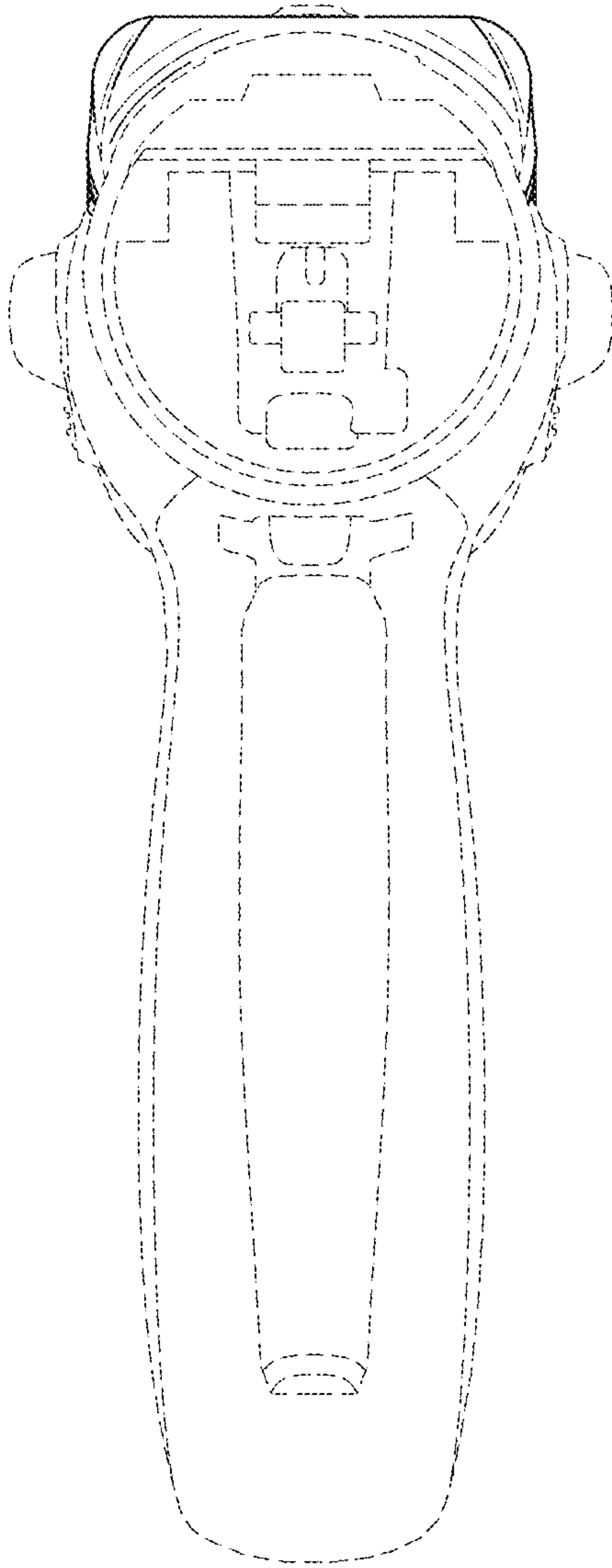


Fig. 13

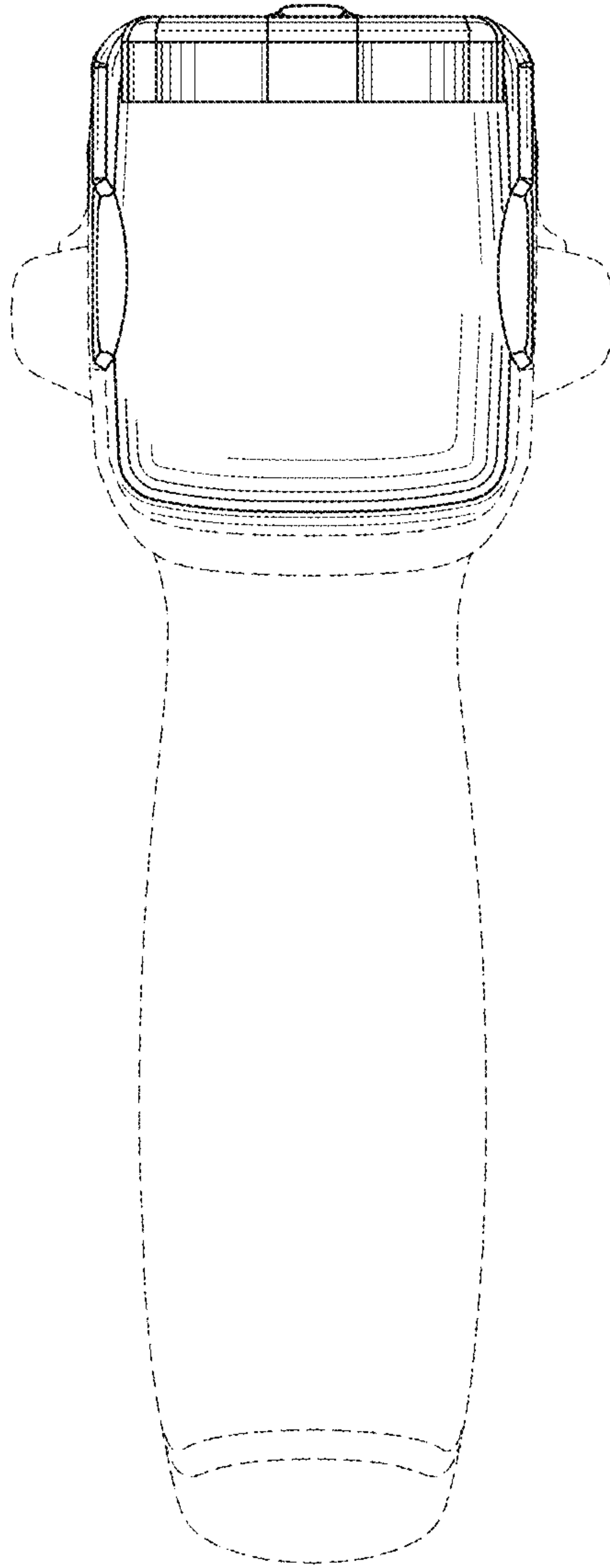


Fig. 14

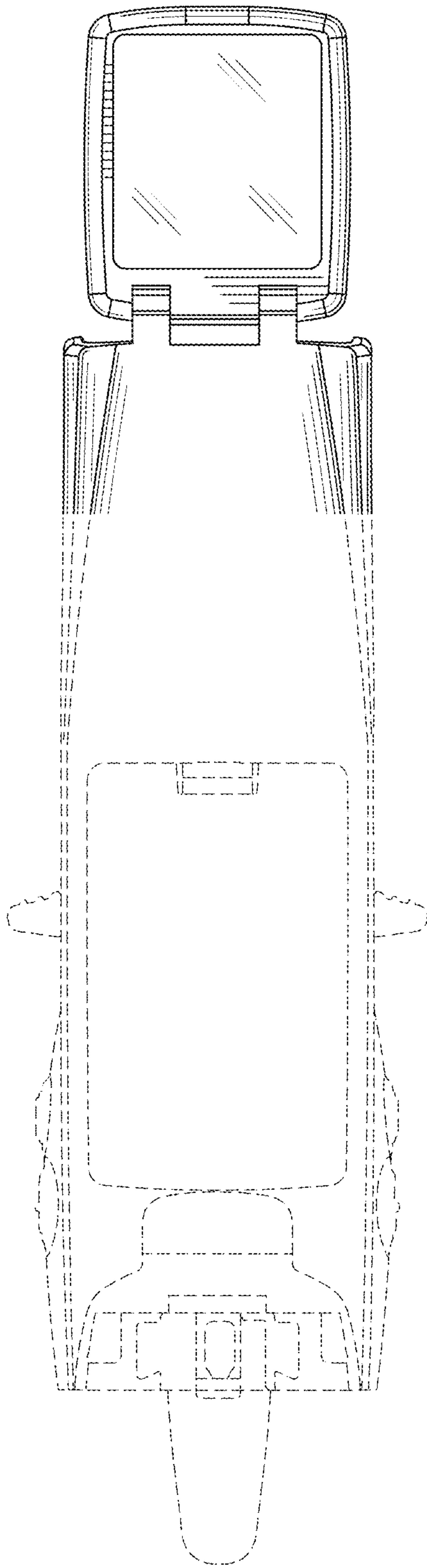


Fig. 15

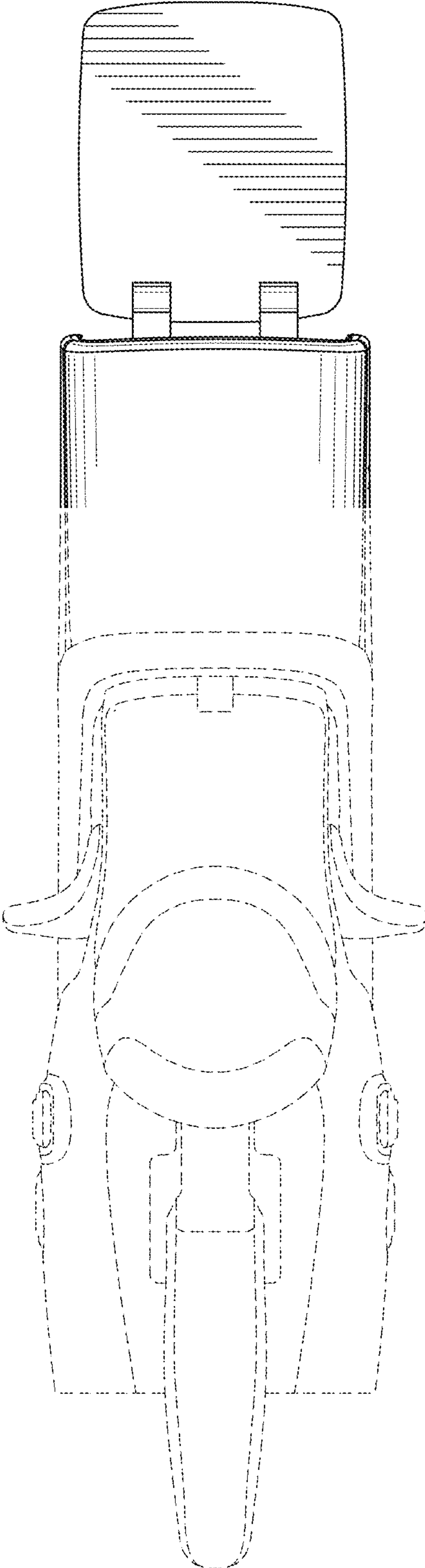


Fig. 16