



US00D835784S

(12) **United States Design Patent** (10) **Patent No.:** **US D835,784 S**  
**Orr et al.** (45) **Date of Patent:** **\*\* Dec. 11, 2018**

(54) **URETHRAL PLUG** 5,090,424 A 2/1992 Simon et al.  
 5,131,906 A \* 7/1992 Chen ..... A61F 2/0022  
 128/DIG. 25  
 (71) Applicant: **LIFE360 INNOVATIONS INC.**,  
 Vancouver, B.C. (CA) 5,140,999 A 8/1992 Ardito  
 5,479,945 A \* 1/1996 Simon ..... A61F 2/0009  
 128/885

(72) Inventors: **Robert Mitchell Orr**, Vancouver (CA);  
**Thom Bellaire**, Vancouver (CA); **Nigel  
 Halsted**, Vancouver (CA); **Ernie  
 Janzen**, Vancouver (CA)

(Continued)

FOREIGN PATENT DOCUMENTS

(73) Assignee: **LIFE360 INNOVATIONS INC.**,  
 Vancouver, BC (CA)

DE 10304614 A1 8/2004  
 EP 0193406 A2 9/1986  
 WO 92/19192 A1 11/1992

(\*\*) Term: **15 Years**

OTHER PUBLICATIONS

(21) Appl. No.: **29/611,786**

Dribblestop Product information downloaded from <http://www.incontinenceclamp.com/product.php?gclid=CLHvua-Wj6UCFRhgzgwodlwx5Mg> on Jul. 11, 2010; 1 page.

(22) Filed: **Jul. 25, 2017**

(Continued)

(51) **LOC (11) Cl.** ..... **24-02**

(52) **U.S. Cl.**  
 USPC ..... **D24/141**

(58) **Field of Classification Search**  
 USPC ..... D24/141, 114–115, 118–119, 127–128;  
 600/29  
 CPC .... A61F 2/0004; A61F 2/0009; A61F 2/0022;  
 A61F 2/0031; A61F 2/0036; A61F  
 2/0045; A61F 2/005; A61F 2/0054; A61F  
 6/12; A61F 6/08; A61F 6/14; Y10S  
 128/25

*Primary Examiner* — Wan Laymon

(74) *Attorney, Agent, or Firm* — Schwabe Williamson & Wyatt, PC

See application file for complete search history.

(57) **CLAIM**

We claim the ornamental design for a urethral plug, as shown and described.

**DESCRIPTION**

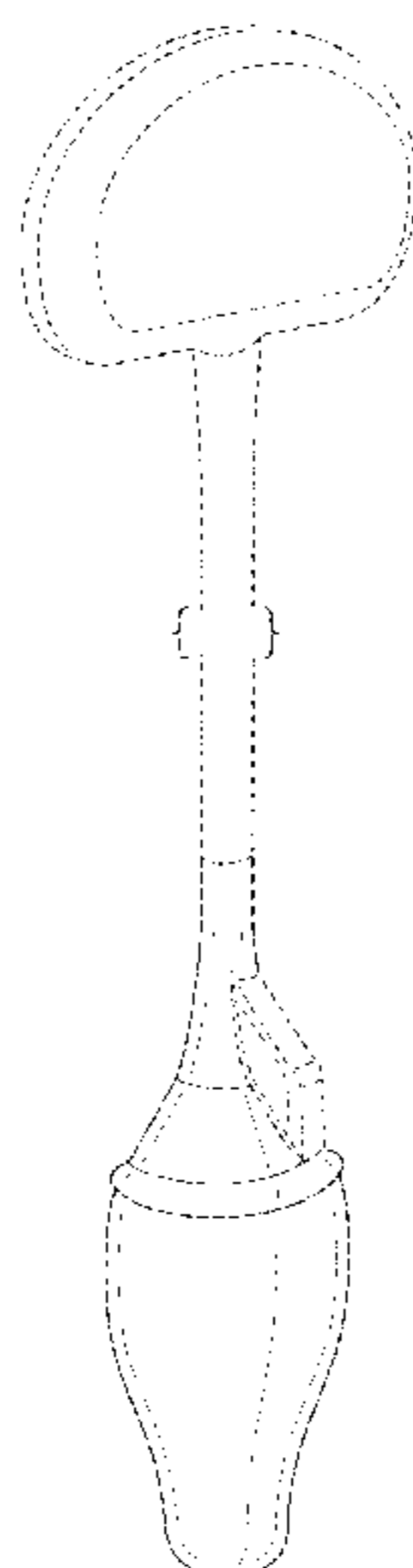
(56) **References Cited**

U.S. PATENT DOCUMENTS

2,649,854 A 8/1953 Salm  
 2,848,998 A 8/1958 Bryan  
 3,463,141 A 8/1969 Mozolf  
 3,570,489 A \* 3/1971 Brown ..... A61F 2/0009  
 604/286  
 3,648,683 A 3/1972 Brodie  
 4,457,299 A 7/1984 Cornwell  
 4,934,999 A 6/1990 Bader  
 5,004,454 A \* 4/1991 Beyar ..... A61F 2/0022  
 128/DIG. 25

FIG. 1 is a perspective view of a urethral plug, showing our new design;  
 FIG. 2 is a front view thereof;  
 FIG. 3 is a back view thereof;  
 FIG. 4 is a left side view thereof;  
 FIG. 5 is a right side view thereof;  
 FIG. 6 is a top view thereof; and,  
 FIG. 7 is a bottom view thereof.  
 The dashed lines are included for illustrating environmental structure and form no part of the claimed design.

**1 Claim, 4 Drawing Sheets**



(56)

References Cited

U.S. PATENT DOCUMENTS

5,498,252 A 3/1996 Silber  
 5,509,427 A 4/1996 Simon  
 5,513,659 A 5/1996 Buuck  
 5,513,660 A \* 5/1996 Simon ..... A61F 2/0009  
 128/885  
 5,630,429 A 5/1997 Dann  
 5,662,582 A \* 9/1997 Levius ..... A61F 2/0009  
 128/DIG. 25  
 5,671,755 A 9/1997 Simon  
 5,701,914 A 12/1997 Loeffler  
 5,722,931 A \* 3/1998 Heaven ..... A61F 2/0009  
 600/29  
 5,752,525 A 5/1998 Simon et al.  
 5,759,194 A 6/1998 Hammerslag  
 5,884,629 A 3/1999 O'Brien  
 5,906,575 A 5/1999 Conway  
 5,954,688 A 9/1999 Adams  
 5,971,967 A 10/1999 Willard  
 5,989,230 A 11/1999 Frassica  
 6,080,142 A 6/2000 Sachse  
 6,110,099 A \* 8/2000 Benderev ..... A61F 2/0009  
 128/DIG. 25

6,129,083 A \* 10/2000 Jansen ..... A41B 9/002  
 128/846  
 6,558,370 B2 5/2003 Moser  
 6,695,763 B2 2/2004 Zunker et al.  
 6,911,001 B2 6/2005 Zunker  
 7,108,655 B2 9/2006 Whalen et al.  
 7,255,673 B2 8/2007 Ulmsten  
 7,655,021 B2 2/2010 Brasington et al.  
 7,771,344 B2 8/2010 Ziv  
 D661,393 S \* 6/2012 Miller ..... D24/141  
 D754,342 S \* 4/2016 Shalon ..... D24/141  
 9,707,065 B2 7/2017 Kunz  
 2004/0122285 A1 6/2004 Zunker  
 2006/0079835 A1 4/2006 Frassica  
 2006/0195006 A1 8/2006 Daurell et al.  
 2007/0078389 A1 4/2007 Whalen et al.  
 2008/0009931 A1 1/2008 Bartning et al.  
 2009/0203959 A1 8/2009 Ziv  
 2011/0028778 A1 2/2011 Kunz

OTHER PUBLICATIONS

Datamonitor, "Pipeline and Commercial Insight: Urinary Incontinence," 185 pages, published Dec. 2007.

\* cited by examiner

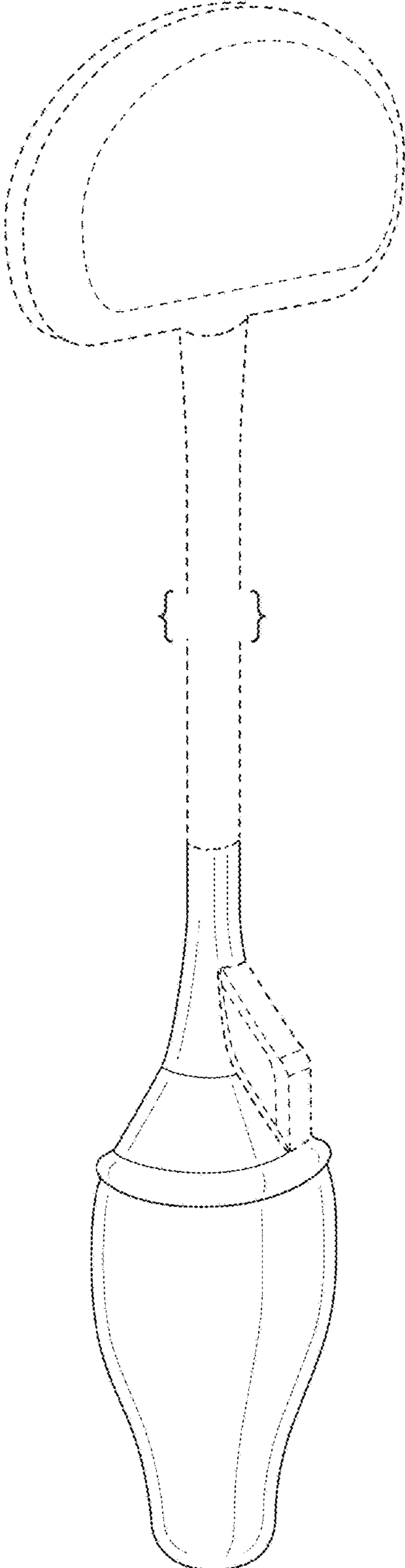


FIG. 1

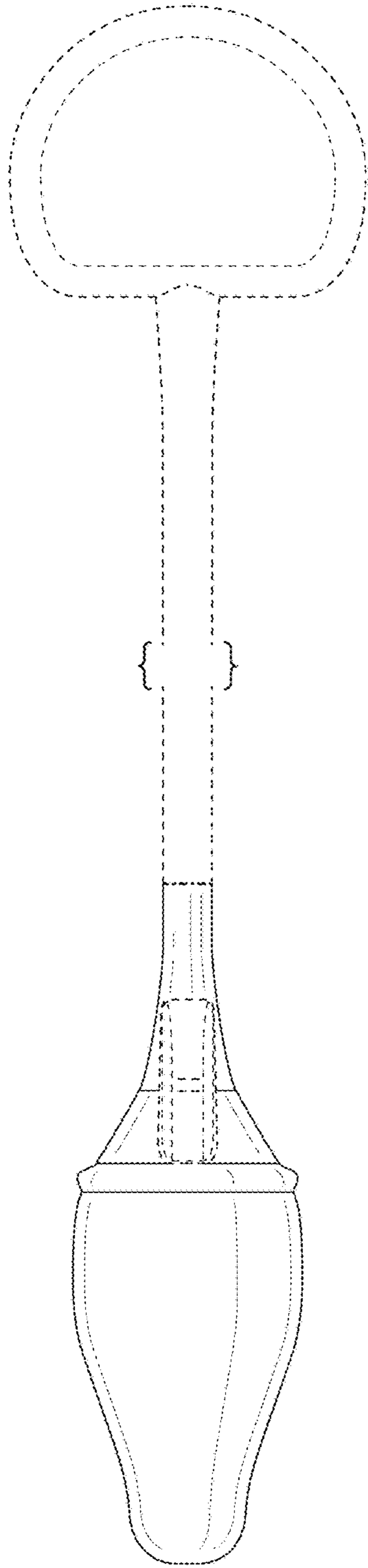


FIG. 2

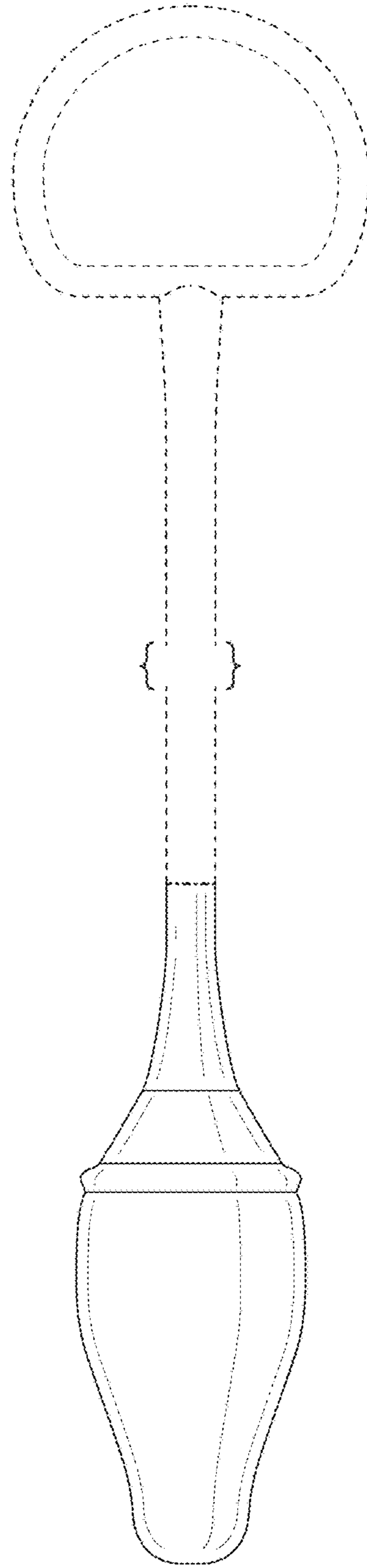


FIG. 3

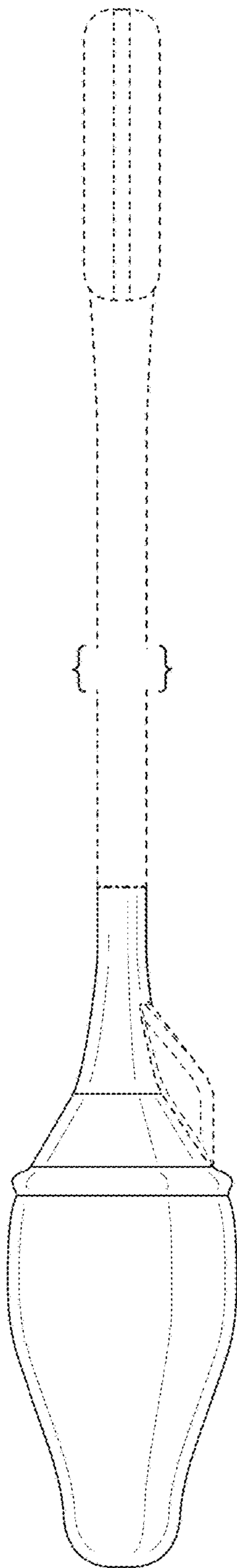


FIG. 4

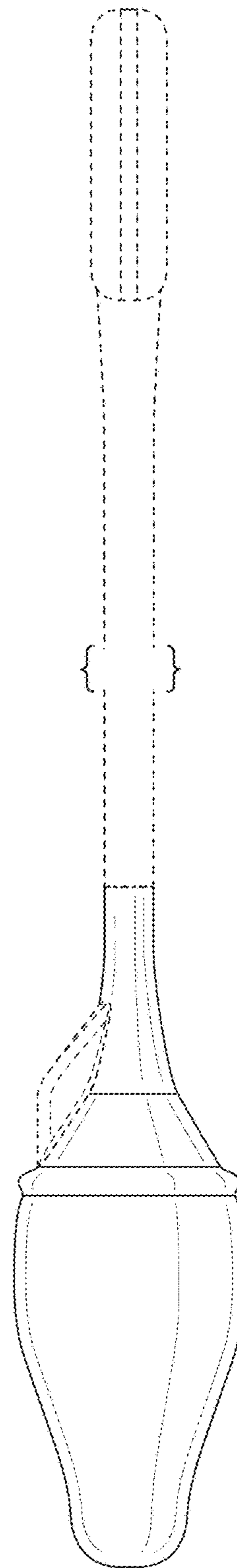


FIG. 5

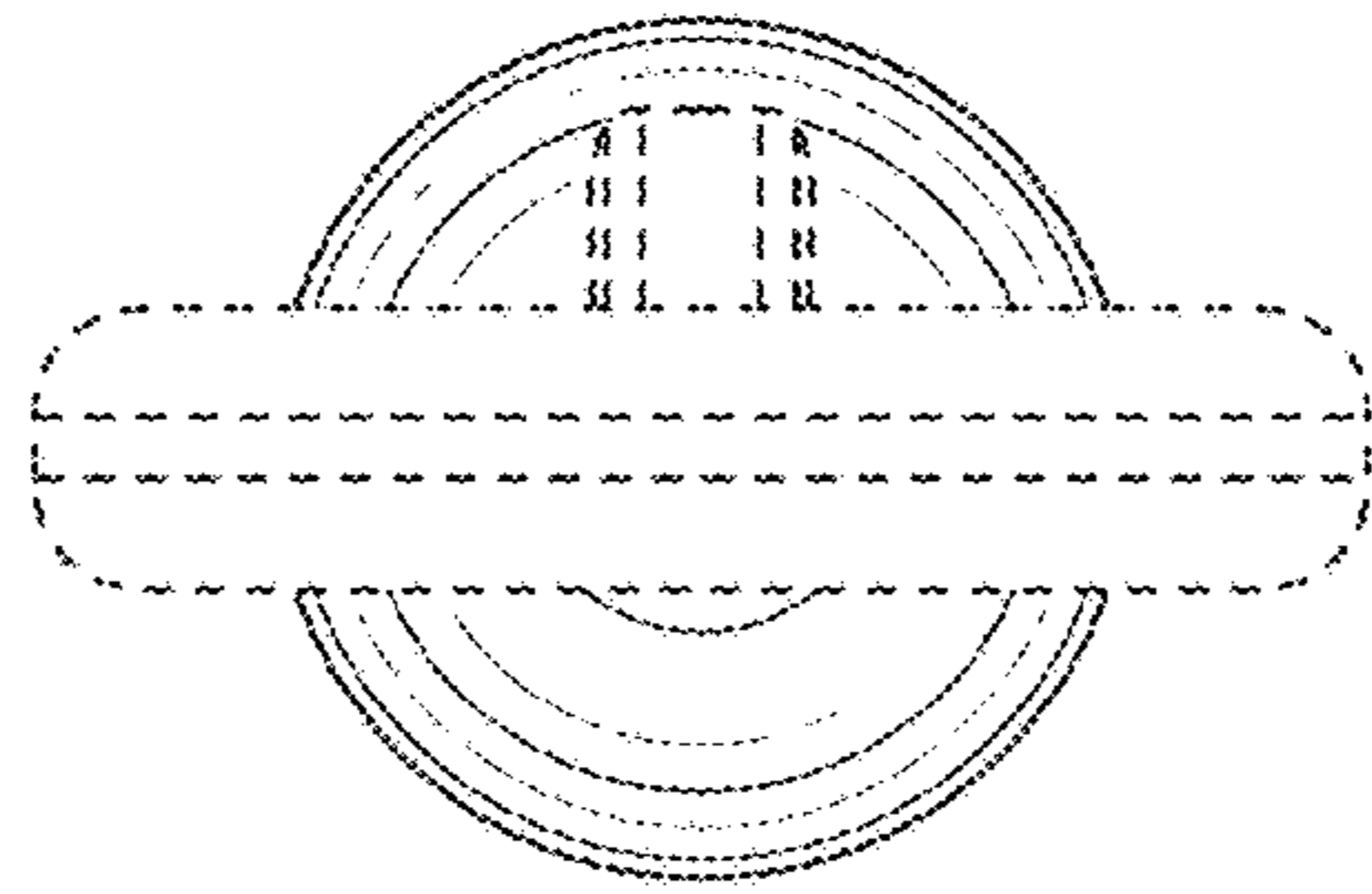


FIG. 6

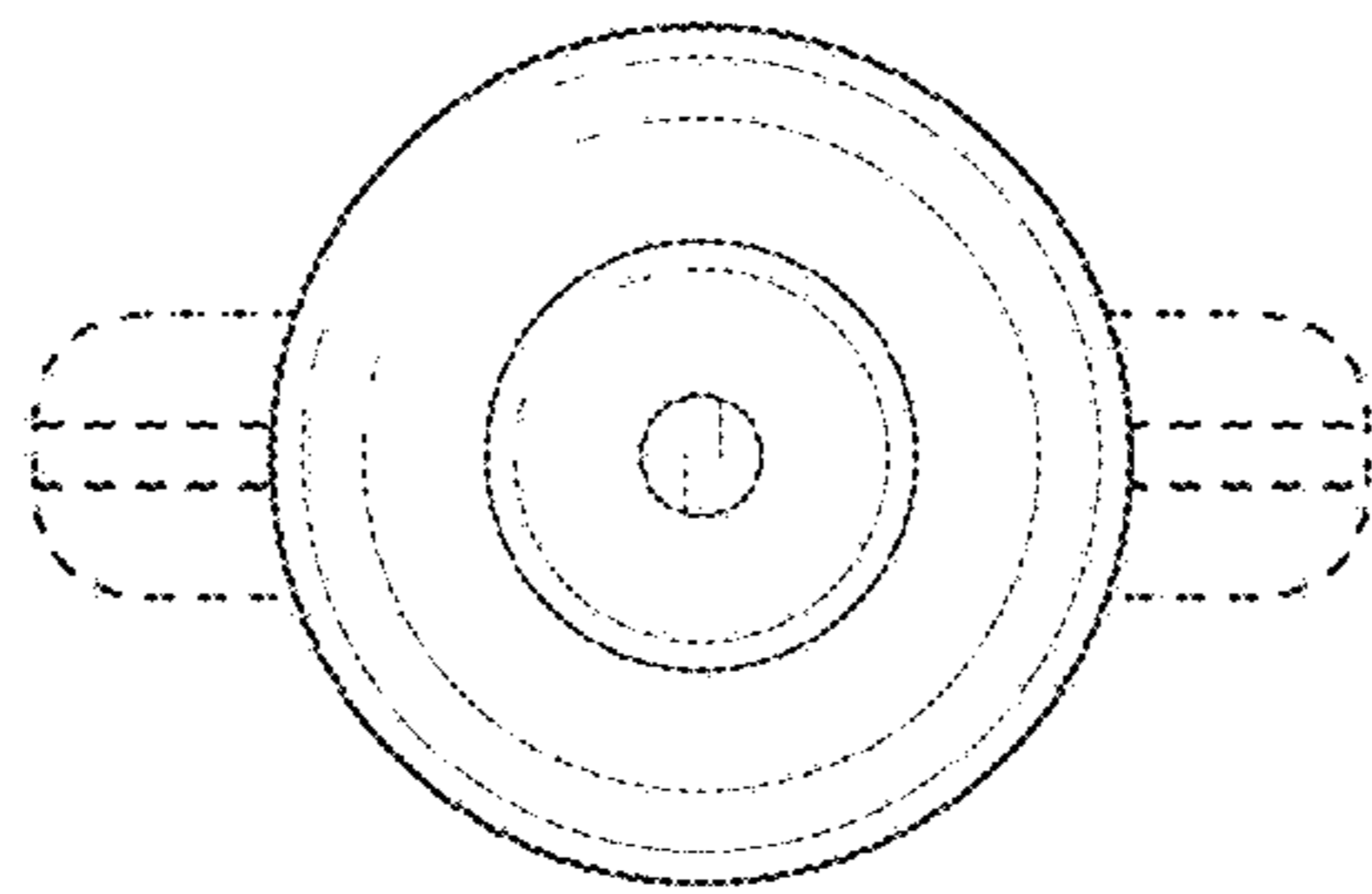


FIG. 7