



US00D835782S

(12) **United States Design Patent**
Matsumoto et al.

(10) **Patent No.:** **US D835,782 S**
(45) **Date of Patent:** **** Dec. 11, 2018**

- (54) **TIP OF A SYRINGE BARREL**
- (71) Applicants: **TAISEI KAKO CO., LTD.**, Osaka-shi, Osaka (JP); **SEIKAGAKU CORPORATION**, Chiyoda-ku, Tokyo (JP)
- (72) Inventors: **Ippei Matsumoto**, Osaka (JP); **Miwako Sato**, Tokyo (JP)
- (73) Assignees: **TAISEI KAKO CO., LTD.**, Osaka-shi, Osaka (JP); **SEIKAGAKU CORPORATION**, Tokyo (JP)

(**) Term: **15 Years**

(21) Appl. No.: **29/574,021**

(22) Filed: **Aug. 11, 2016**

(30) **Foreign Application Priority Data**

- Feb. 12, 2016 (JP) 2016-002967
- (51) **LOC (11) Cl.** **24-02**
- (52) **U.S. Cl.**
USPC **D24/130**
- (58) **Field of Classification Search**
USPC D24/127-131, 112-114, 133, 186;
606/181, 185; 604/264, 523-528, 272,
604/187, 158, 164.01-164.11, 181, 184,
604/227; 600/101, 139, 143;
128/200.24, 207.14, 207.15
CPC A61M 25/00; A61M 39/00; A61M 27/00;
A61M 25/0043; A61M 25/0067; A61M
25/0097; A61F 2/958
See application file for complete search history.

(56) **References Cited**

U.S. PATENT DOCUMENTS

- D303,710 S * 9/1989 Neill D23/262
- D395,502 S * 6/1998 Deily D24/112

- 5,985,962 A * 11/1999 Knors C08L 23/0815
524/101
- 6,436,075 B1 * 8/2002 Liao A61M 5/3205
604/181
- 6,454,745 B1 * 9/2002 Donnan A61M 5/3134
604/181
- D473,647 S * 4/2003 Francavilla D24/129
(Continued)

FOREIGN PATENT DOCUMENTS

JP D1438091 4/2012
Primary Examiner — David G Muller
(74) *Attorney, Agent, or Firm* — Flynn Thiel, P.C.

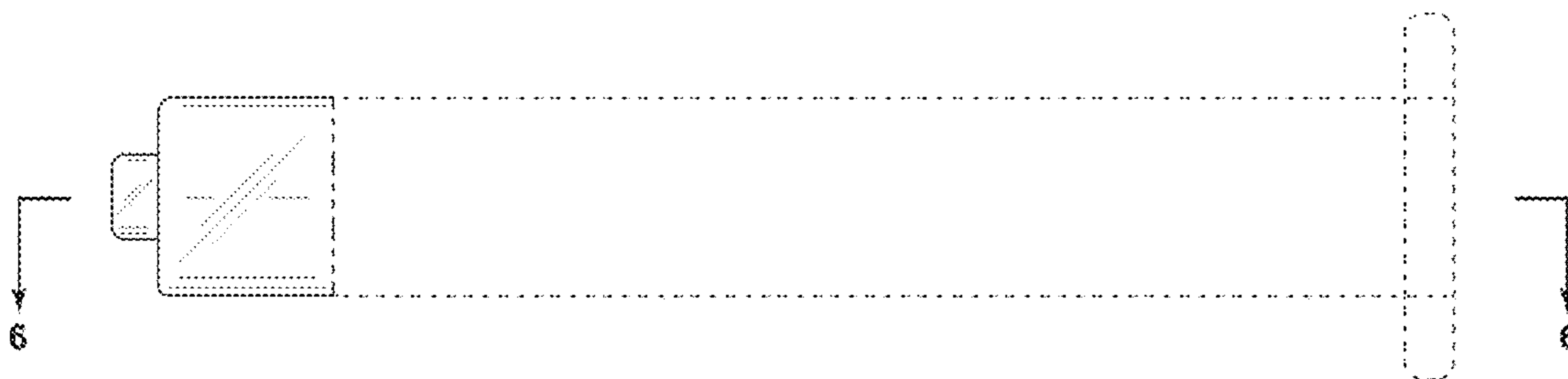
(57) **CLAIM**

The ornamental design for a tip of a syringe barrel, as shown and described.

DESCRIPTION

FIG. 1 is a front view of a tip of a syringe barrel showing our new design, with the rear view being a mirror image thereof; FIG. 2 is a top view thereof, with the bottom view being a mirror image thereof; FIG. 3 is a right side view thereof; FIG. 4 is a left side view thereof; FIG. 5 is a cross-sectional view thereof as seen along line 5-5 of FIG. 2; FIG. 6 is a cross-sectional view thereof as seen along line 6-6 of FIG. 1; FIG. 7 is a partial enlarged cross-sectional view of area 7-7 of FIG. 5; FIG. 8 is a partial enlarged cross-sectional view of area 8-8 of FIG. 6; FIG. 9 is a partial perspective view thereof; and, FIG. 10 is a reference view showing the tip of a syringe barrel of our new design in a usage state. The broken lines illustrating portions of the tip of a syringe barrel are for environmental purposes only and form no part of the claimed design.

1 Claim, 5 Drawing Sheets



(56)

References Cited

U.S. PATENT DOCUMENTS

D474,839	S	*	5/2003	Francavilla	D24/129
D543,278	S	*	5/2007	Numata	D24/114
D581,048	S	*	11/2008	Kawamura	D24/130
D584,407	S	*	1/2009	Kawamura	D24/130
D588,693	S	*	3/2009	Strong	D24/112
D665,904	S	*	8/2012	Horita	D24/130
D668,760	S	*	10/2012	Kawamura	D24/130
D691,261	S	*	10/2013	Kawamura	D24/130
D698,020	S	*	1/2014	Takemoto	D24/130
8,721,603	B2	*	5/2014	Lundquist	A61M 5/3293 604/164.07
8,784,388	B2	*	7/2014	Charles	A61M 39/14 604/181
D712,025	S	*	8/2014	Kawamura	D24/112
D712,028	S	*	8/2014	Takemoto	D24/130
D714,935	S	*	10/2014	Nishioka	D24/130
D731,647	S	*	6/2015	Nishioka	D24/130
D736,914	S	*	8/2015	Schultz	D24/129
D736,915	S	*	8/2015	Schultz	D24/129
D737,961	S	*	9/2015	Schultz	D24/129
D737,962	S	*	9/2015	Schultz	D24/129
D740,412	S	*	10/2015	Strong	D24/130
D750,775	S	*	3/2016	Carrel	D24/130
D752,214	S	*	3/2016	Limaye	D24/130
D755,371	S	*	5/2016	Limaye	D24/130
D761,421	S	*	7/2016	Nakagami	D24/129
D774,908	S	*	12/2016	Eckstein	D24/130
D775,329	S	*	12/2016	Kawamura	D24/130
D777,913	S	*	1/2017	Taylor	D24/133

* cited by examiner

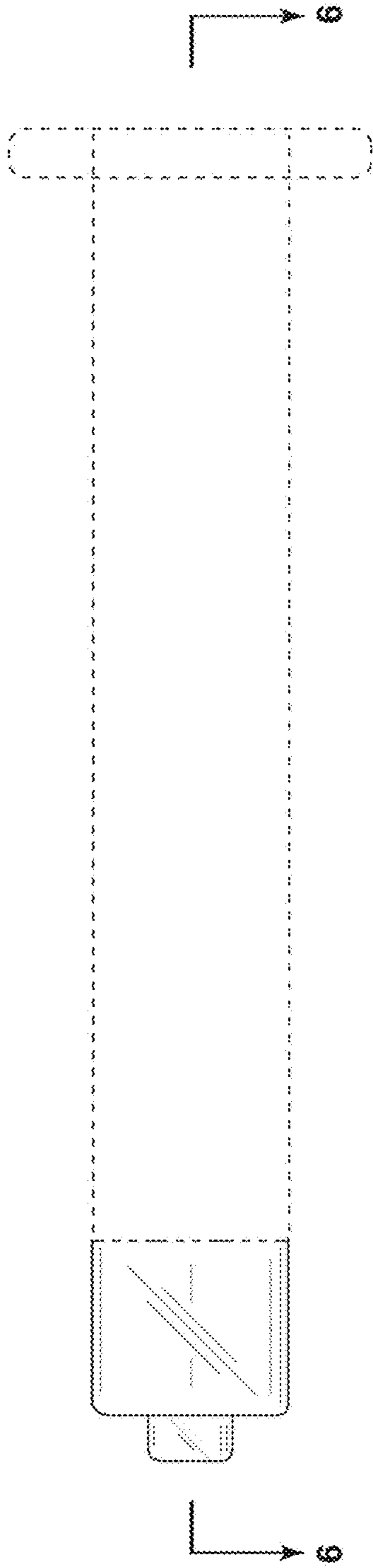


FIG. 1

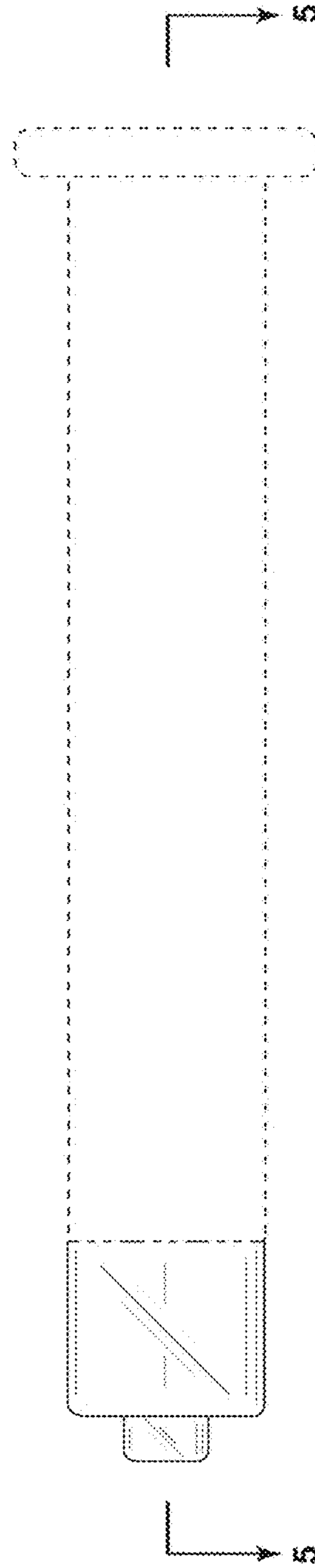


FIG. 2

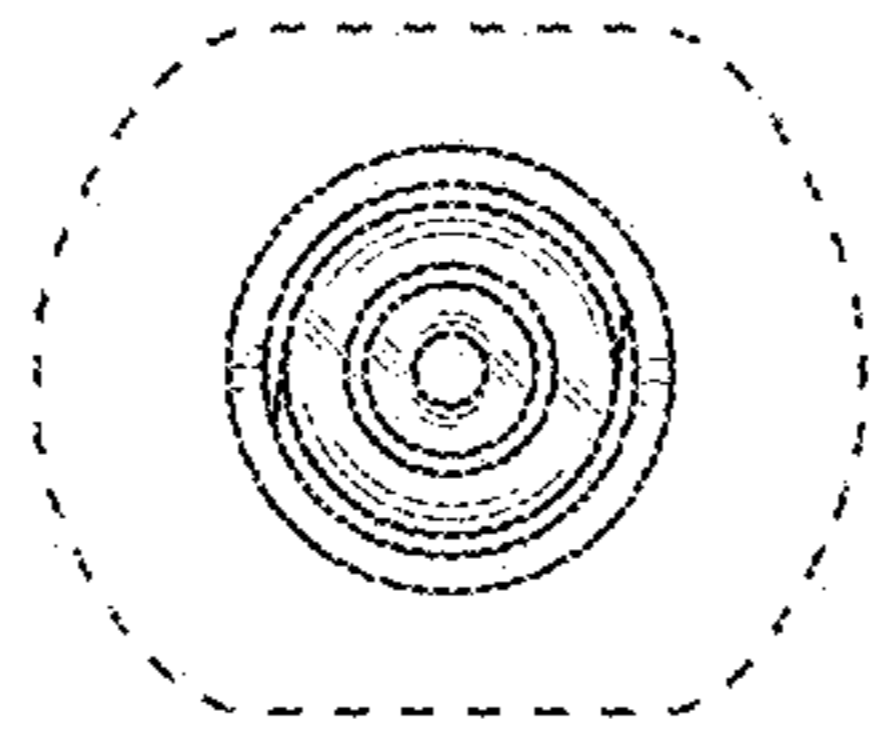


FIG. 4

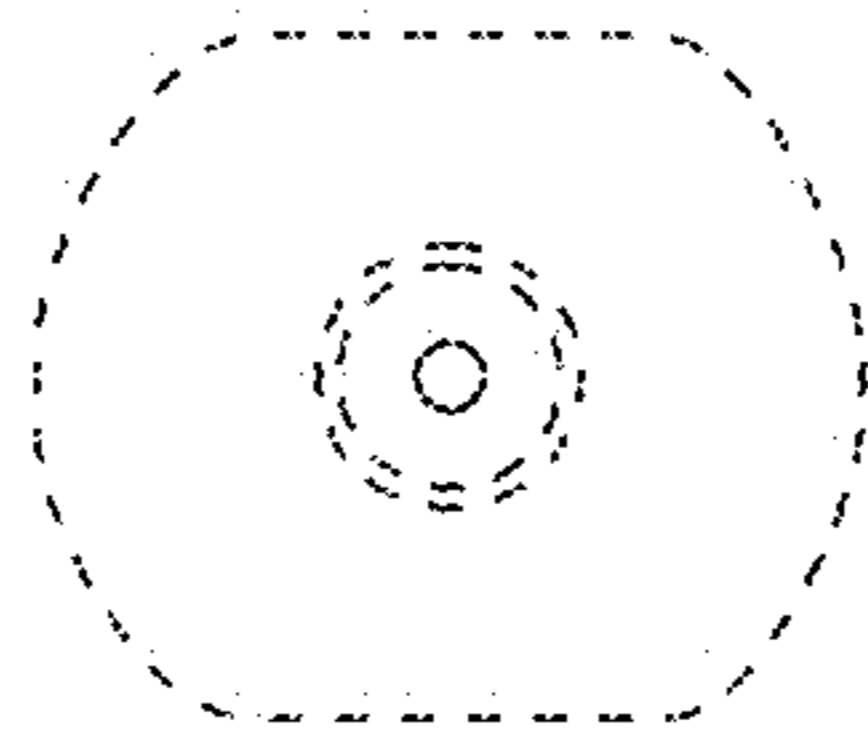


FIG. 3

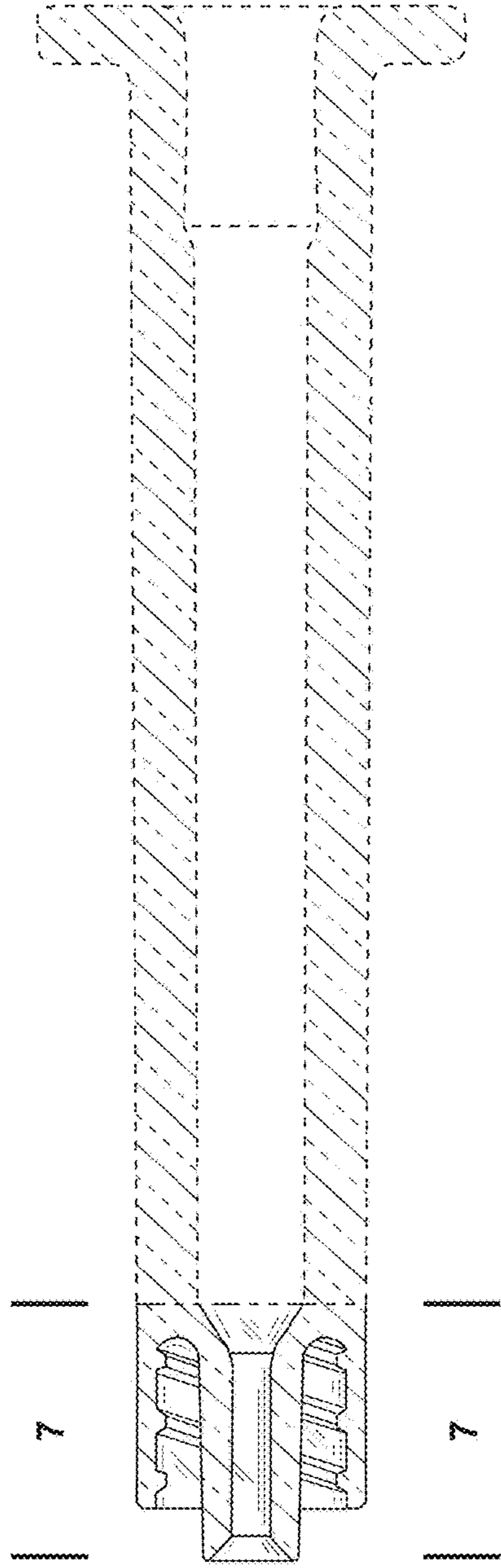


FIG. 5

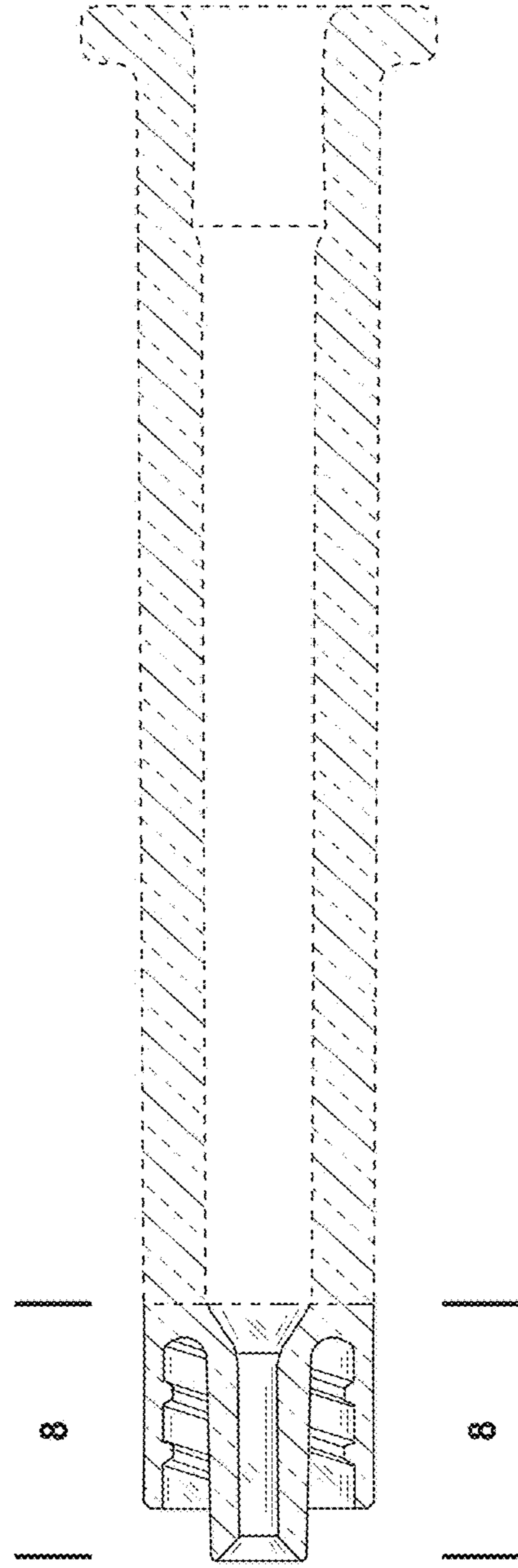


FIG. 6

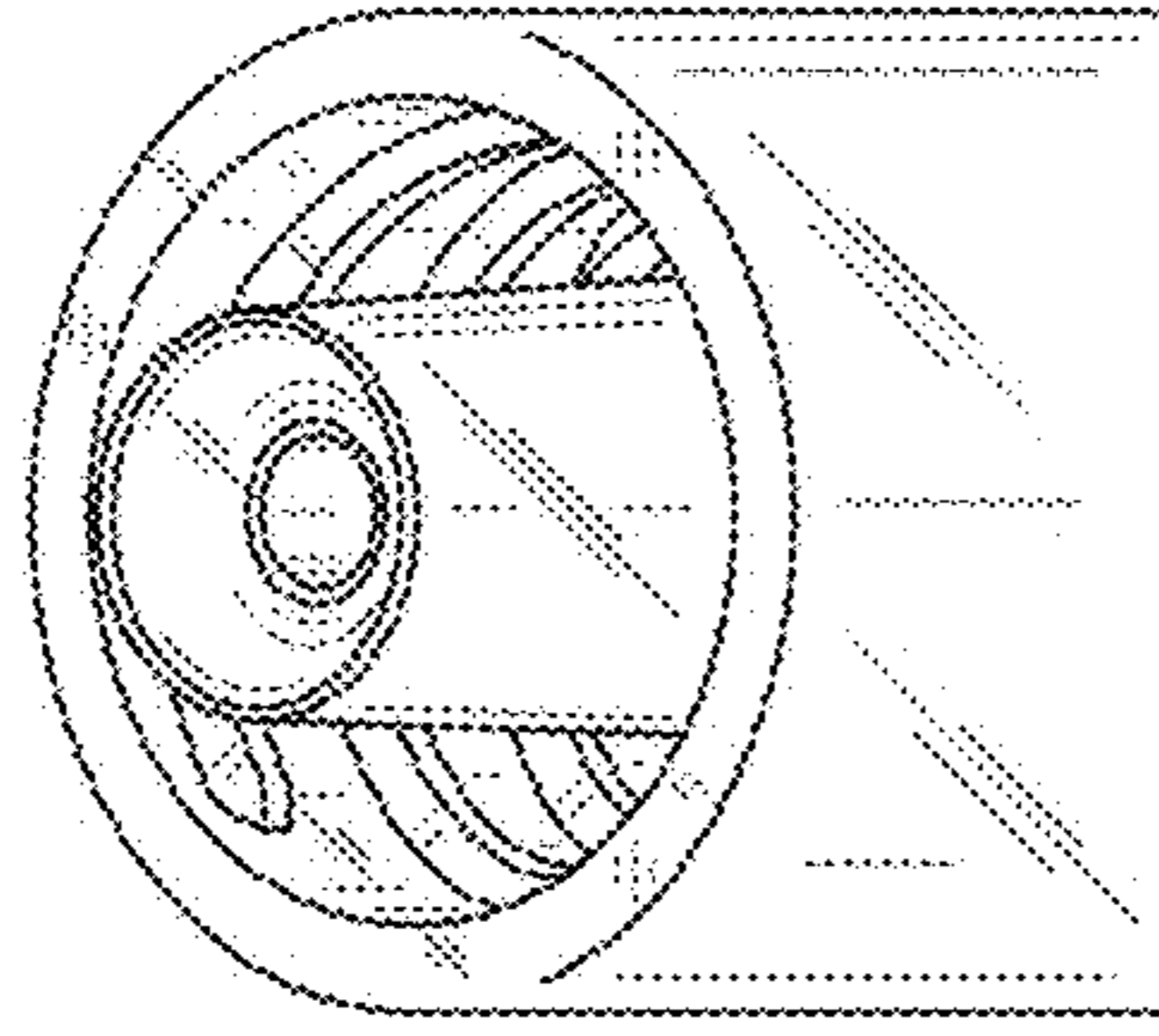


FIG. 9

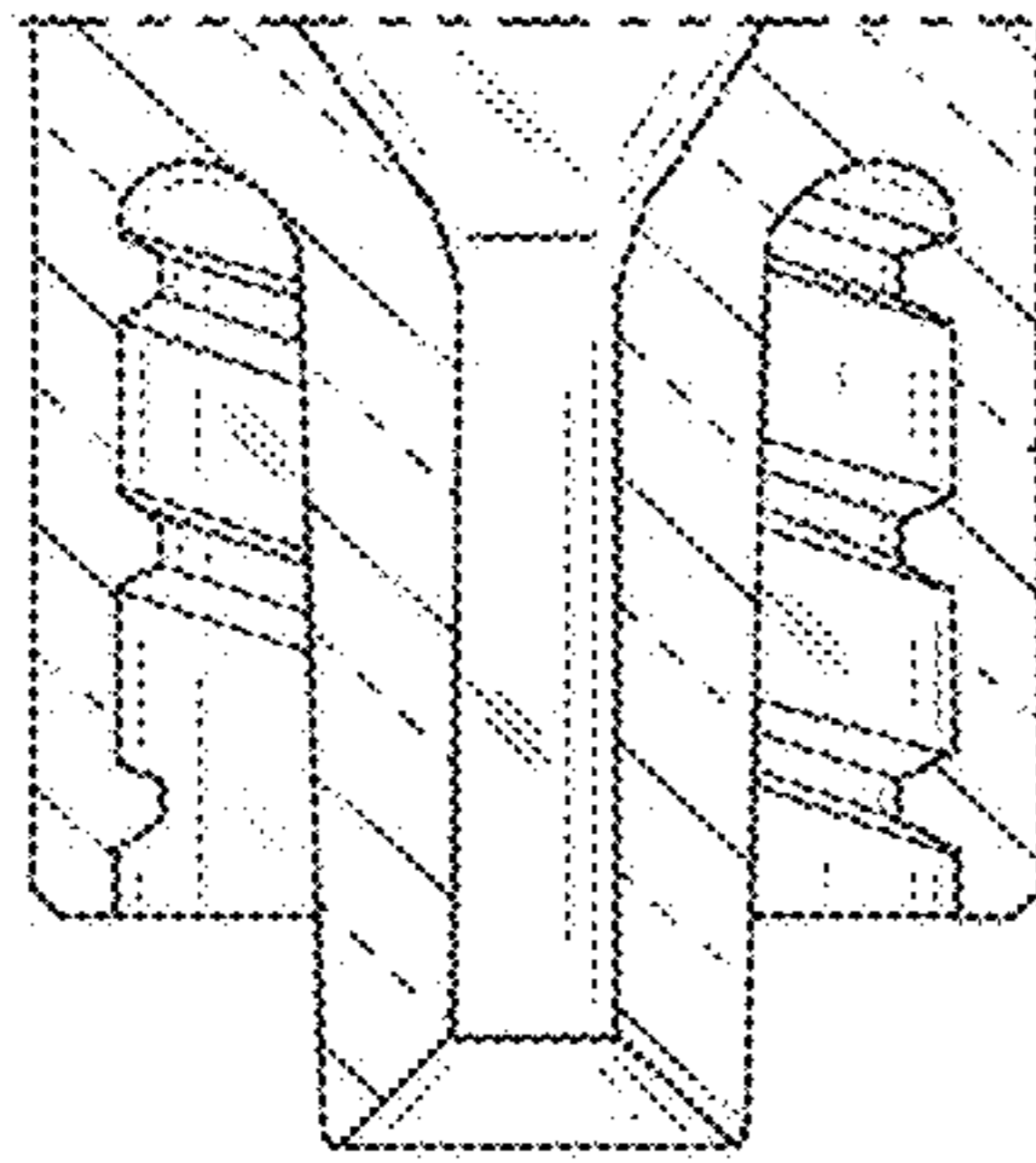


FIG. 7

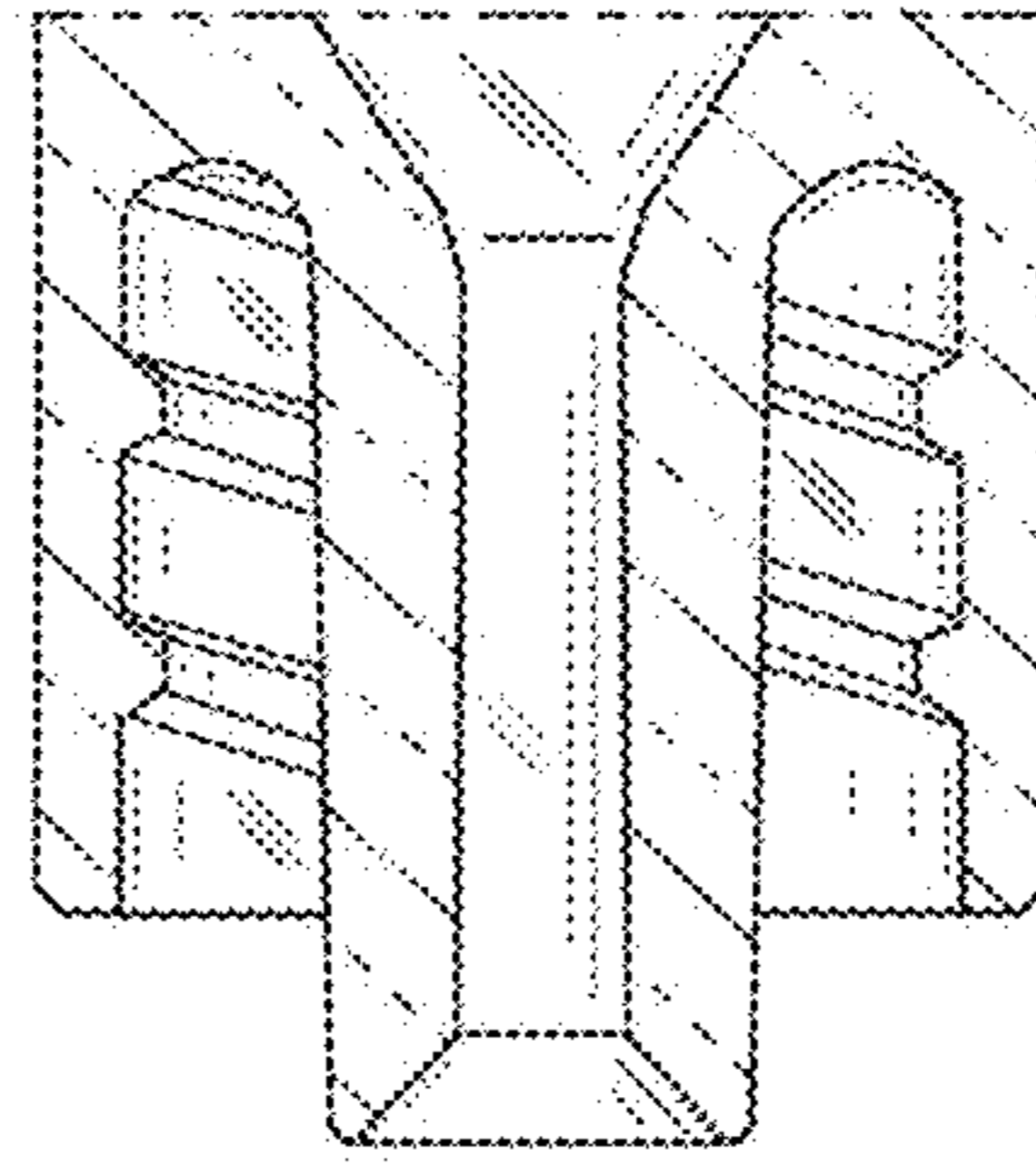


FIG. 8

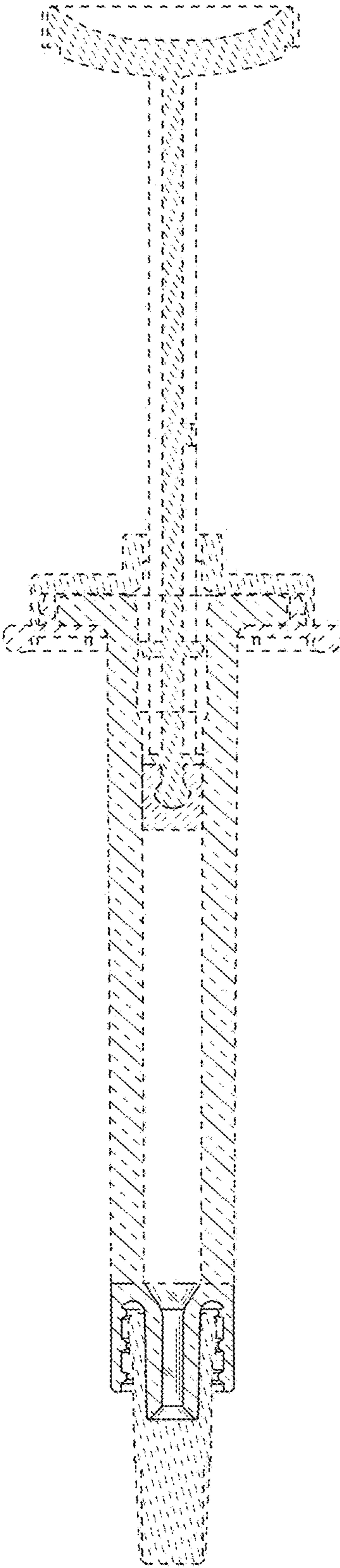


FIG. 10