



US00D835781S

(12) **United States Design Patent**
Griffith

(10) **Patent No.:** **US D835,781 S**

(45) **Date of Patent:** **** Dec. 11, 2018**

(54) **ENTERAL FEEDING TUBE PROXIMAL END**

(71) Applicant: **Avent, Inc.**, Alpharetta, GA (US)

(72) Inventor: **Nathan Christopher Griffith**, Roswell, GA (US)

(73) Assignee: **Avent, Inc.**, Alpharetta, GA (US)

(**) Term: **15 Years**

(21) Appl. No.: **29/548,873**

(22) Filed: **Dec. 17, 2015**

(51) **LOC (11) Cl.** **24-02**

(52) **U.S. Cl.**
USPC **D24/129**

(58) **Field of Classification Search**
USPC D24/127-131, 112-114, 133, 186;
606/181, 185; 604/264, 523-528, 272,
604/187, 158, 164.01-164.11, 181, 184,
604/227; 600/101, 139, 143;
128/200.24, 207.14, 207.15
CPC A61M 25/00; A61M 39/00; A61M 27/00;
A61M 25/0043; A61M 25/0067; A61M
25/0097; A61F 2/958
See application file for complete search history.

(56) **References Cited**

U.S. PATENT DOCUMENTS

D313,849 S * 1/1991 Robinson D24/129
5,181,508 A * 1/1993 Poole, Jr. A61M 16/0463
128/203.12

D369,214 S * 4/1996 Nason 210/359
D445,182 S * 7/2001 Haynes D24/129
D453,221 S * 1/2002 Haytman D24/129
D482,121 S * 11/2003 Harding D24/129
D482,447 S * 11/2003 Harding D24/129
D492,030 S * 6/2004 Rani D24/129
D506,828 S * 6/2005 Layne D24/129
D519,632 S * 4/2006 Bayron D24/110.6
D561,329 S * 2/2008 McMichael D24/108
D665,077 S * 8/2012 Becker D24/133
D747,473 S * 1/2016 Martin D24/129

* cited by examiner

Primary Examiner — David Muller

(74) *Attorney, Agent, or Firm* — Dority & Manning, P.A.

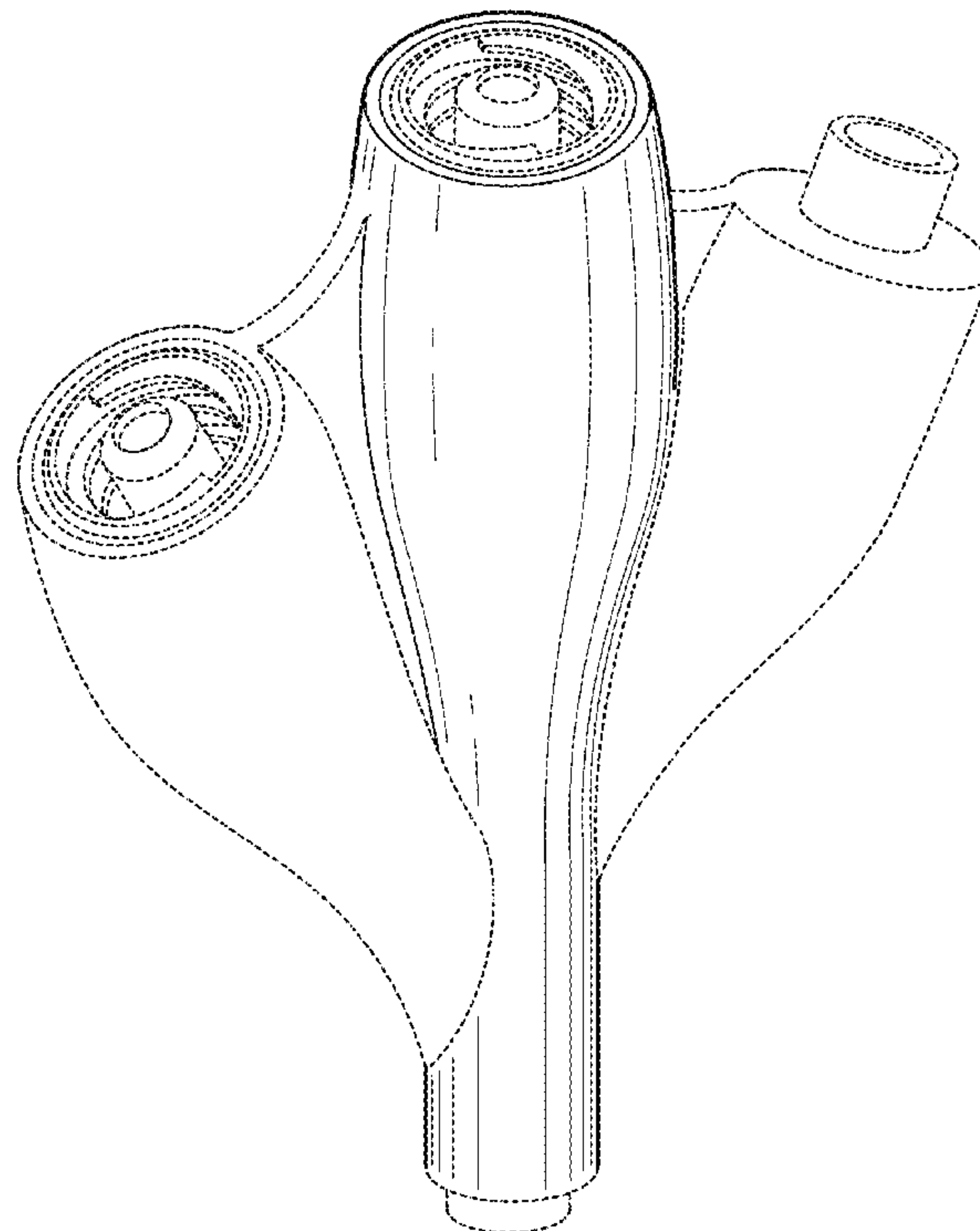
(57) **CLAIM**

The ornamental design for an enteral feeding tube proximal end, as shown and described.

DESCRIPTION

FIG. 1 is a front, left perspective view of an enteral feeding tube proximal end according to the design.
FIG. 2 is a front elevation view thereof;
FIG. 3 is a right side elevation view thereof;
FIG. 4 is a left side elevation view thereof;
FIG. 5 is a top plan view thereof; and,
FIG. 6 is a bottom plan view thereof.
The features shown in broken lines depict environmental structure only and form no part of the claimed design.

1 Claim, 4 Drawing Sheets



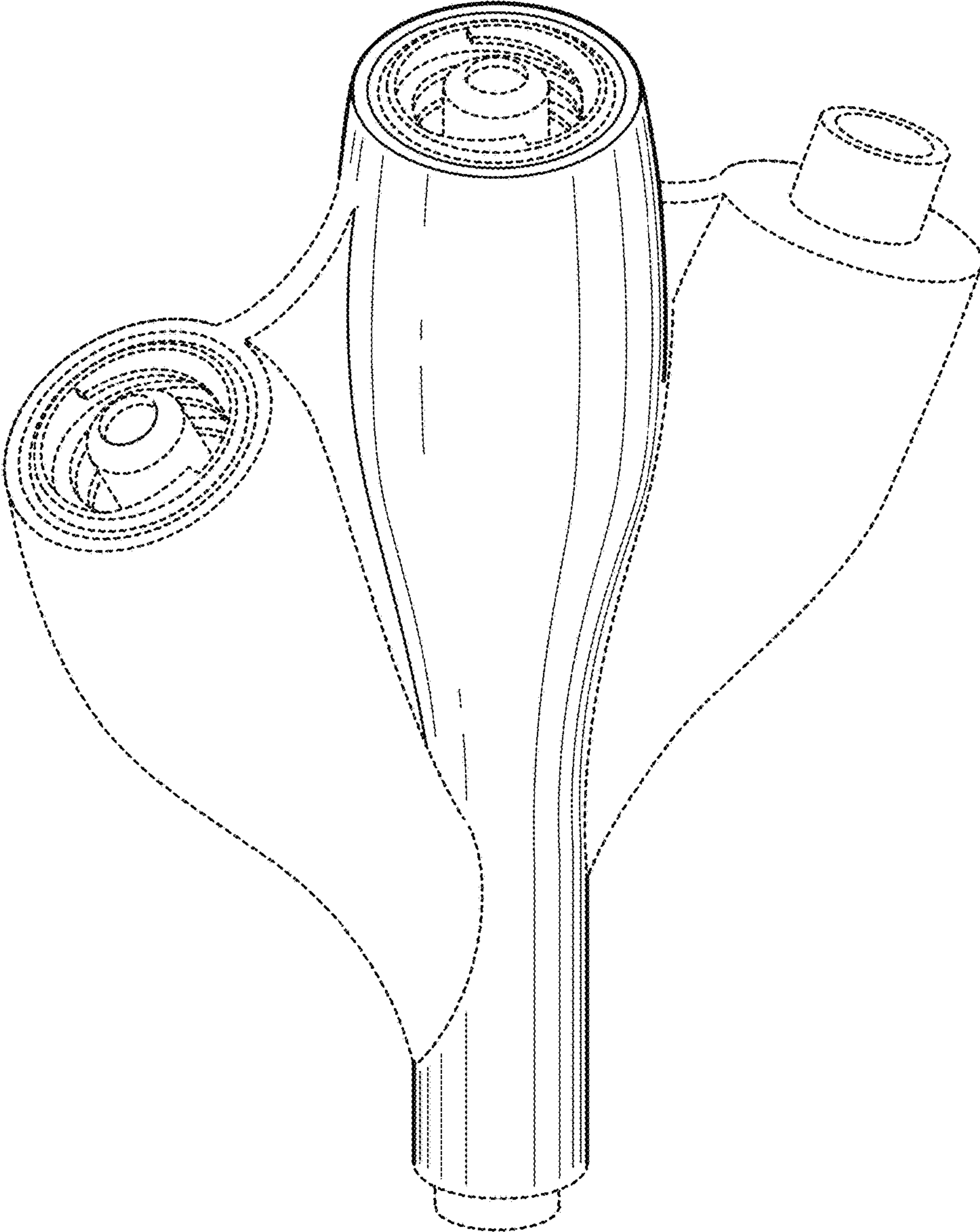


FIG. 1

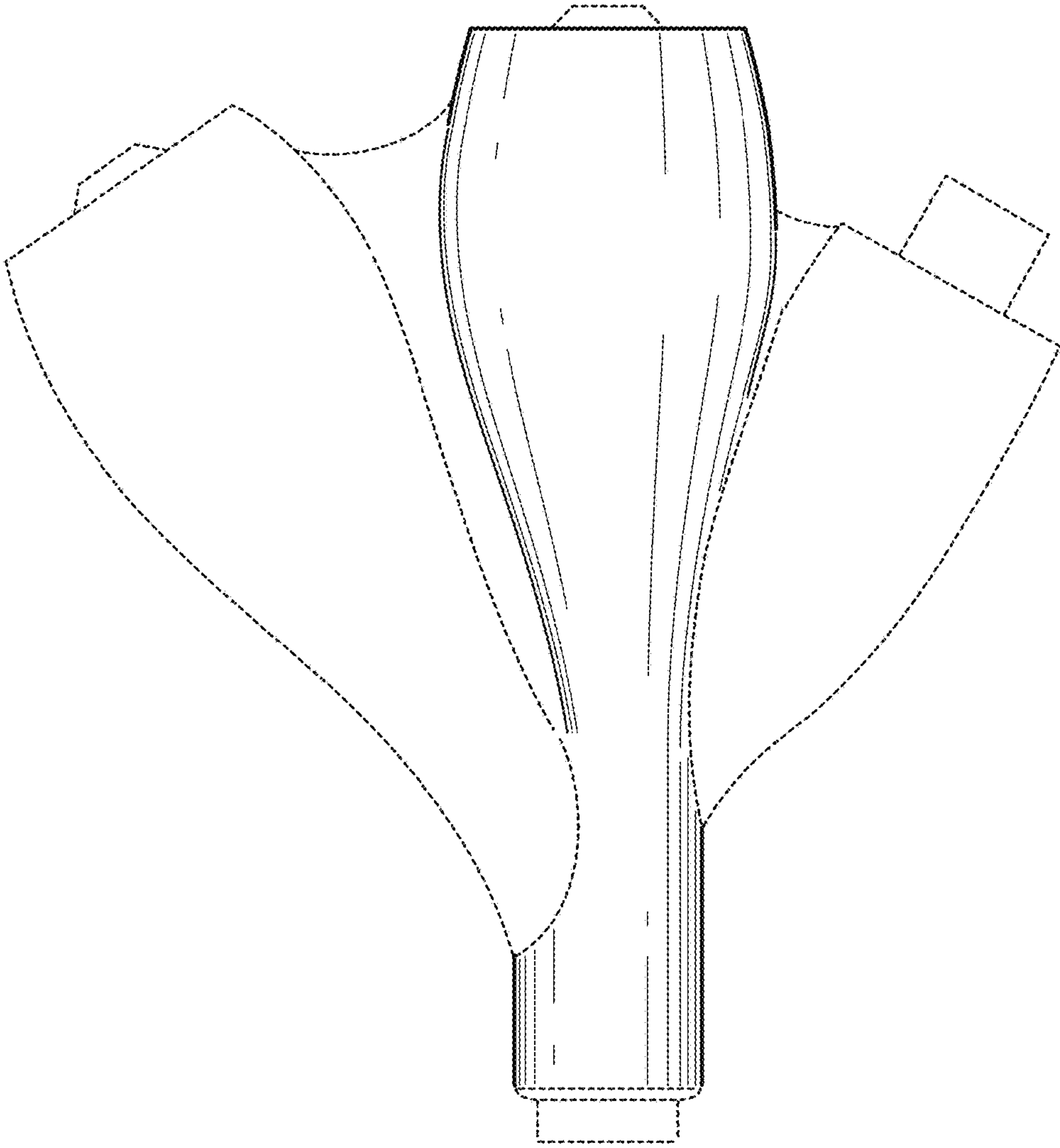


FIG. 2

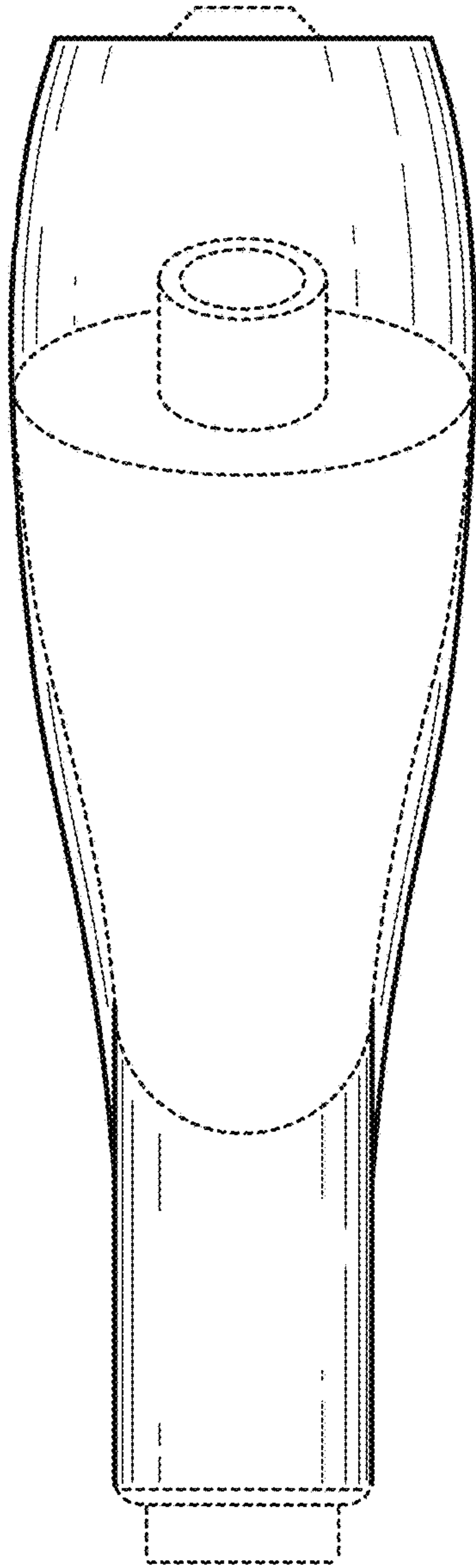


FIG. 3

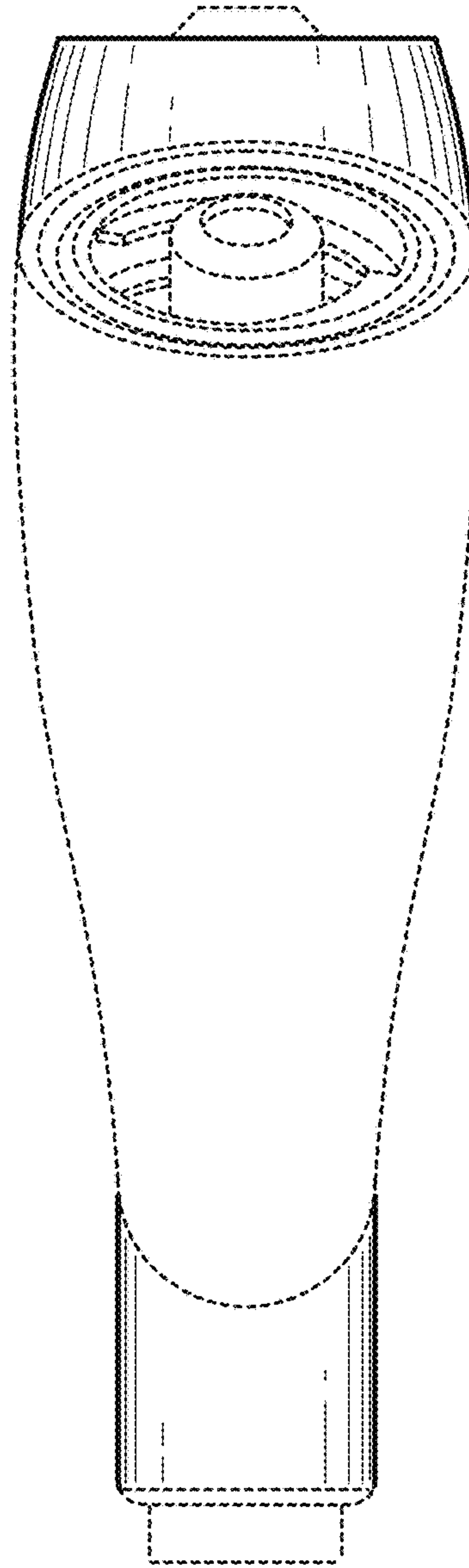


FIG. 4

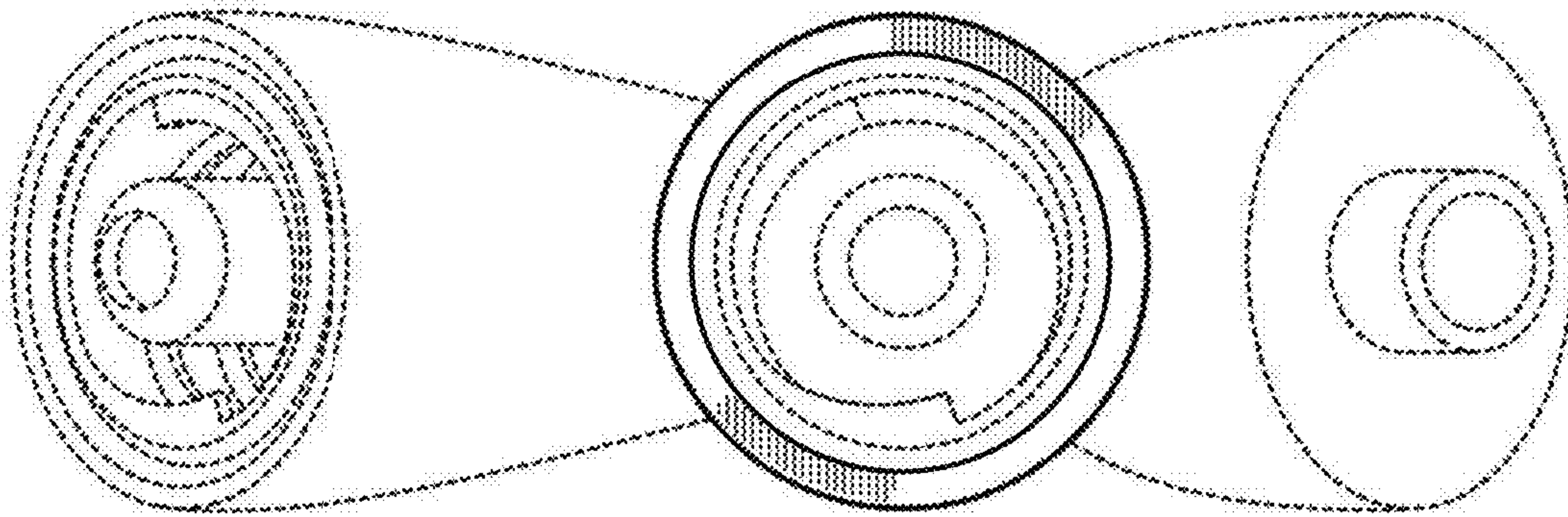


FIG. 5

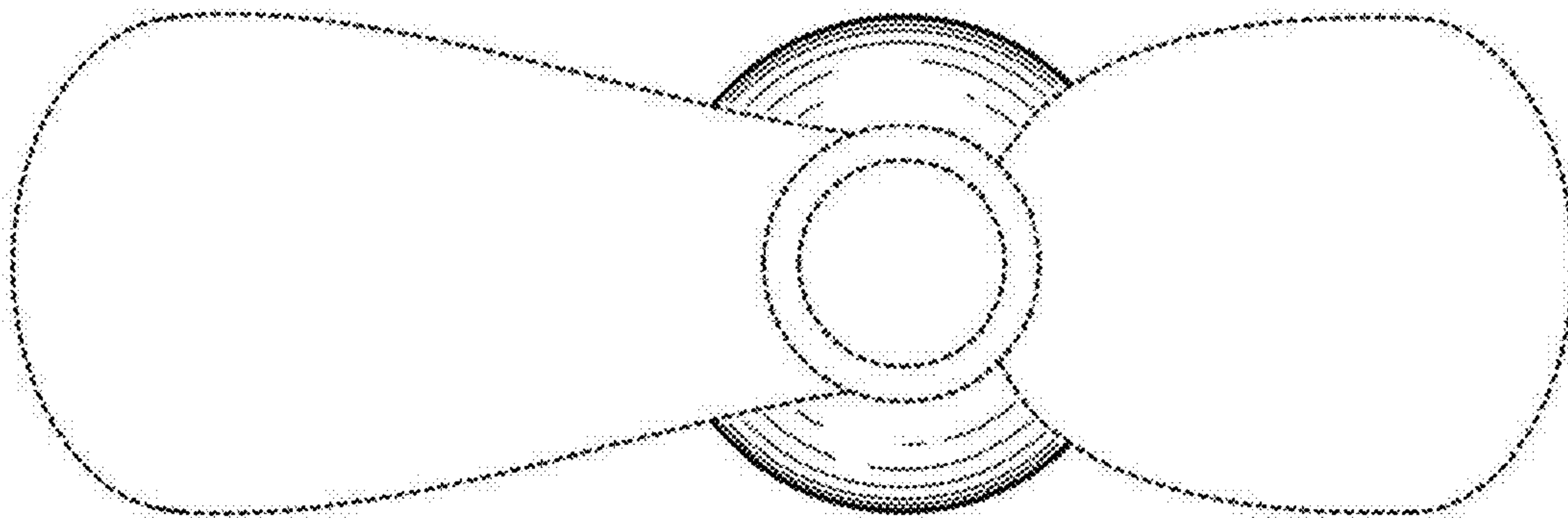


FIG. 6