



US00D835778S

(12) **United States Design Patent** (10) **Patent No.:** **US D835,778 S**
Mozzicato et al. (45) **Date of Patent:** **** Dec. 11, 2018**

(54) **DENTAL AMALGAM SEPARATION CONTAINER ADAPTER**

(56) **References Cited**

(71) Applicants: **Nicholas Mozzicato**, Northborough, MA (US); **Richard Goulston**, Northborough, MA (US)

(72) Inventors: **Nicholas Mozzicato**, Northborough, MA (US); **Richard Goulston**, Northborough, MA (US)

(73) Assignee: **Solmetex LLC**, Northborough, MA (US)

(**) Term: **15 Years**

(21) Appl. No.: **29/585,659**

(22) Filed: **Nov. 28, 2016**

(51) **LOC (11) Cl.** **24-04**

(52) **U.S. Cl.**
USPC **D24/121; D24/176; D24/221; D24/224; D9/447**

(58) **Field of Classification Search**
USPC D9/414, 415, 424, 425, 434, 435, 436, D9/443, 444-452, 454-456, 499, 529, D9/682, 685, 686; D7/387, 391, 392, D7/392.1, 396.1, 396.2, 396.3, 396.4, D7/397, 398, 401.1, 507, 509-511, 538, D7/900; D3/202, 203.2; D28/91, 91.1; D24/221, 111, 121, 127, 162, 176, 182, D24/224
CPC .. A61J 1/00; A61J 1/1412; B65D 1/00; B65D 1/02; B65D 1/10; B65D 1/46; B65D 2585/56; B65D 2585/545; B65D 41/00; B65D 41/38; B65D 41/56; B65D 41/62; B65D 47/00; B65D 47/06; B65D 47/08; B65D 2543/00046; B65D 2543/00092; B65D 2543/00296; B65D 5/46; B65D 2251/00

See application file for complete search history.

U.S. PATENT DOCUMENTS

D24,111 S *	3/1895	Landgraf	D7/300.1
D189,743 S *	2/1961	Happe	D32/23
D286,268 S *	10/1986	Wolff	D9/434
D288,528 S *	3/1987	Parad	D9/435
D288,529 S *	3/1987	Parad	D9/435
D306,266 S *	2/1990	Hargrove	D24/224
D306,649 S *	3/1990	Lapicola	D24/121
4,911,315 A *	3/1990	Shrum	B65D 55/16 215/229
4,934,545 A *	6/1990	Pezzoli	A61J 1/1406 215/250
4,951,845 A *	8/1990	Pezzoli	A61J 1/1406 215/250

(Continued)

Primary Examiner — Michael A. Pratt
Assistant Examiner — Wendy L. Arminio

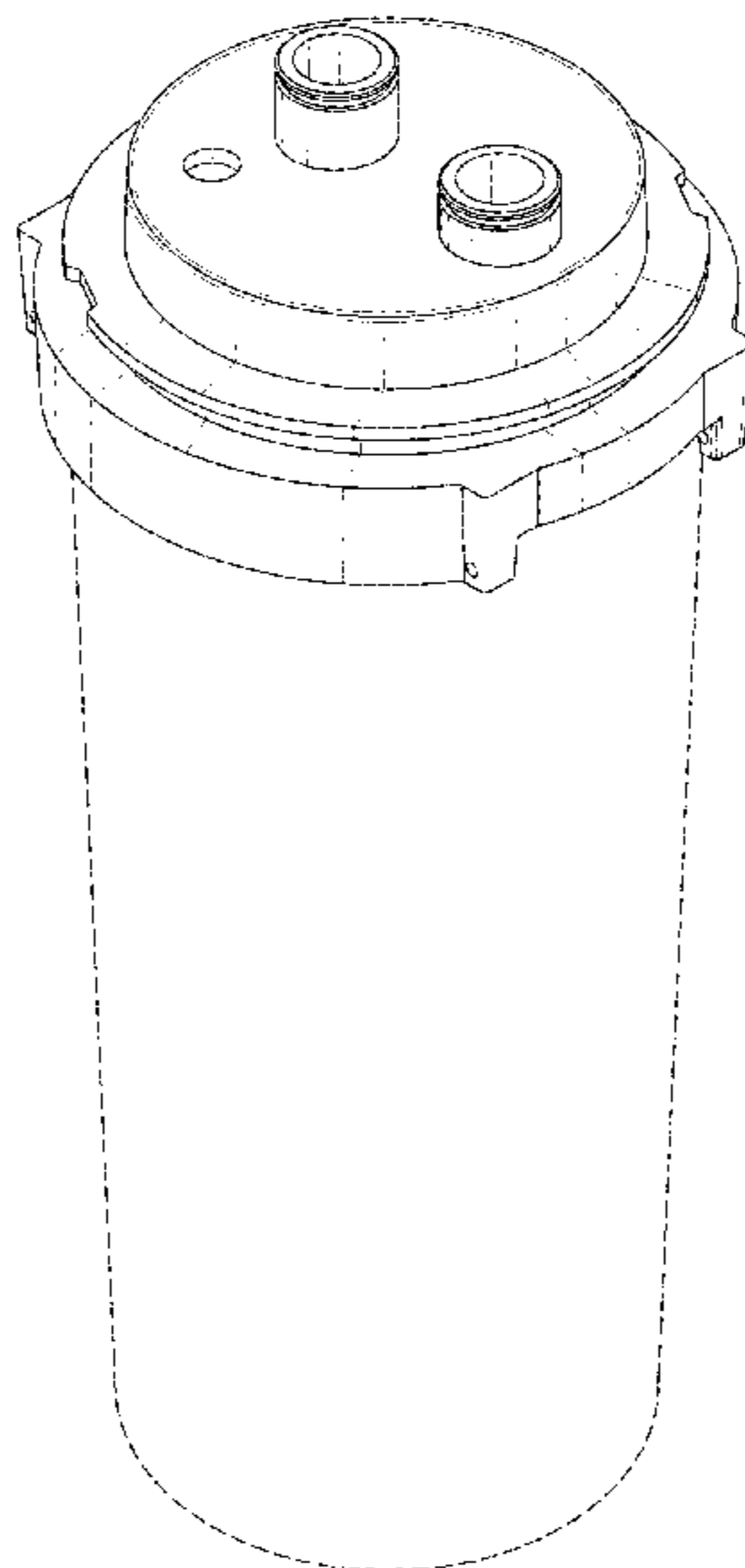
(57) **CLAIM**

The ornamental design for a dental amalgam separation container adapter, as shown and described.

DESCRIPTION

FIG. 1 is a perspective view of a dental amalgam separation container adapter in accordance with the present invention; FIG. 2 is a rear view thereof; FIG. 3 is a front view thereof; FIG. 4 is a right side view thereof; FIG. 5 is a left side view thereof; FIG. 6 is a top view thereof; FIG. 7 is a bottom view thereof; and, FIG. 8 is a bottom perspective view thereof. The features shown in broken lines are illustrating environmental structure and form no part of the claimed design.

1 Claim, 7 Drawing Sheets



(56)

References Cited

U.S. PATENT DOCUMENTS

5,125,522 A * 6/1992 Pezzoli A61J 1/1475
 215/250
 D341,085 S * 11/1993 Charbonneau D9/434
 D349,647 S * 8/1994 Moffitt D9/435
 D359,236 S * 6/1995 Spafford D9/447
 5,509,551 A * 4/1996 Terrell, II A47G 19/2266
 215/229
 D372,426 S * 8/1996 Garnett D7/392.1
 D374,481 S * 10/1996 McCallister D24/118
 D384,280 S * 9/1997 Kuczer D9/436
 5,730,322 A * 3/1998 Iba B65D 47/265
 222/212
 5,873,494 A * 2/1999 Dallas, Jr. B65D 47/2006
 222/129
 D423,354 S * 4/2000 Lin D32/31
 D428,768 S * 8/2000 Betras D7/510
 D431,158 S * 9/2000 Schwab D7/510
 D433,275 S * 11/2000 Betras D7/392.1
 D435,194 S * 12/2000 Betras D7/510
 D503,097 S * 3/2005 Burr D9/434
 D503,110 S * 3/2005 Burr D9/434
 D522,359 S * 6/2006 Van Diepen D9/447
 D536,247 S * 2/2007 Burr D9/434
 D574,237 S * 8/2008 Yates, III D9/447
 D630,094 S * 1/2011 Maxwell D9/447
 D705,059 S * 5/2014 Hutchison D9/447
 D706,135 S * 6/2014 Hutchison D9/447
 D727,149 S * 4/2015 Humm D9/449
 D750,962 S * 3/2016 Liu D6/542
 2002/0185186 A1 * 12/2002 Juliar A61M 39/10
 138/96 R
 2015/0320638 A1 * 11/2015 Becker A61J 1/1475
 215/306

* cited by examiner

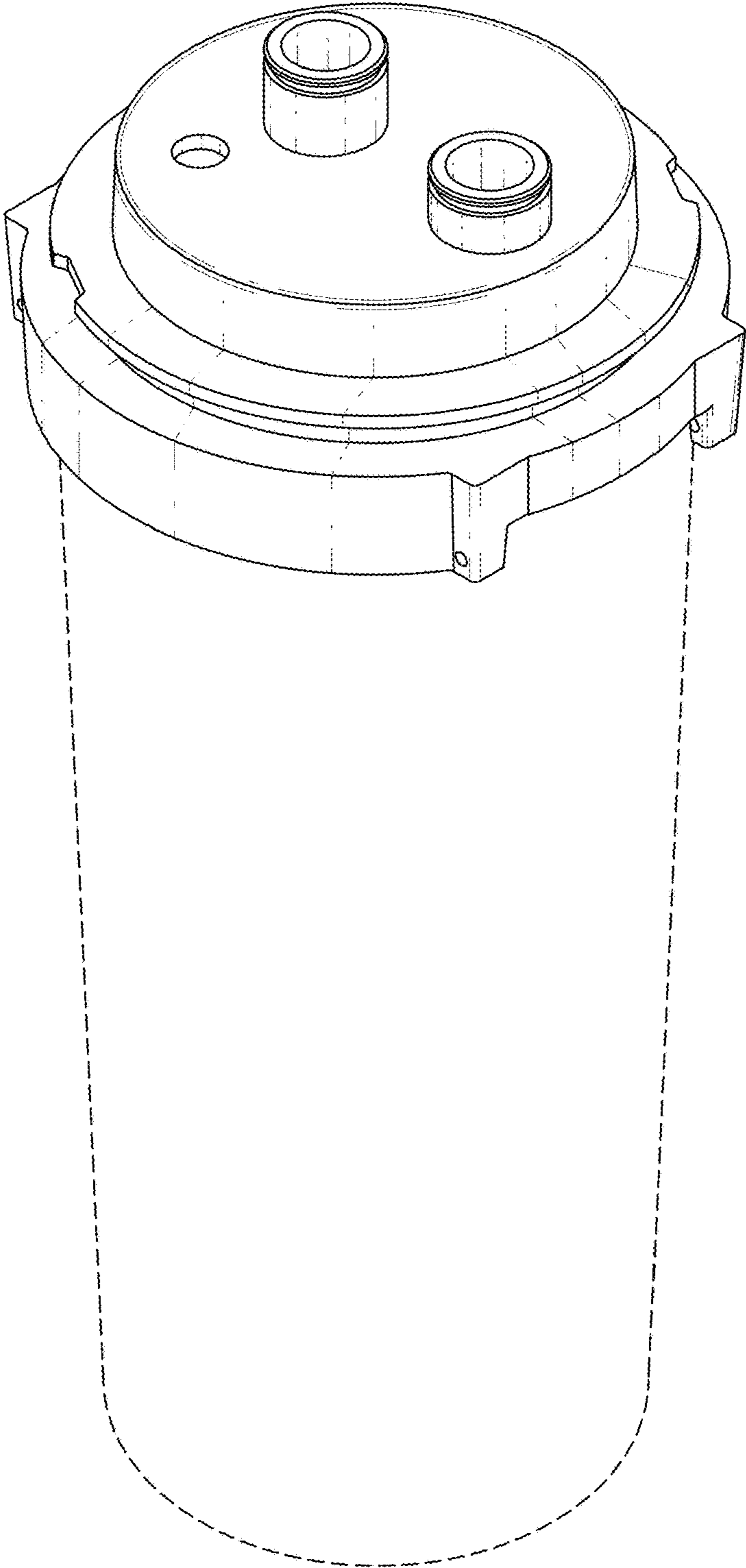


FIG. 1

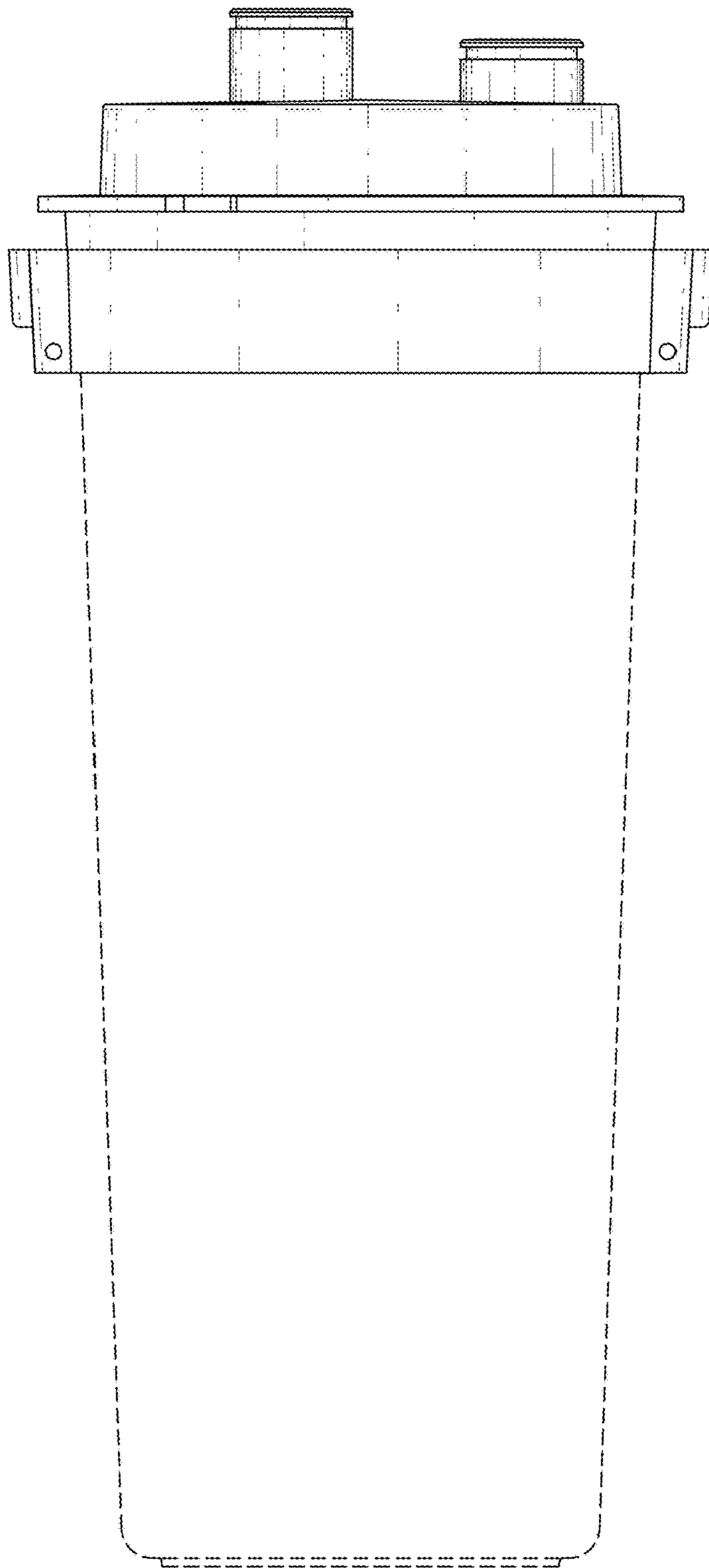


FIG. 2

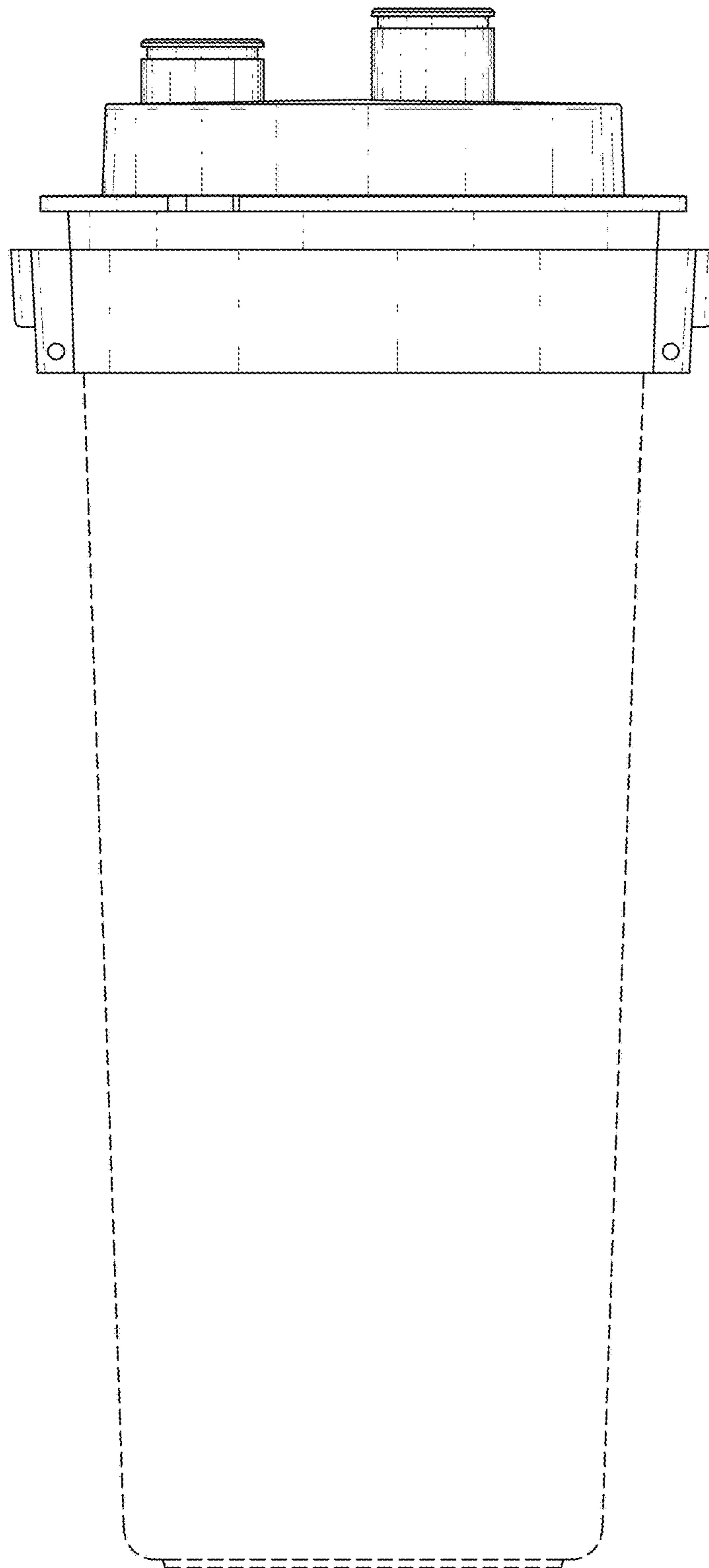


FIG. 3

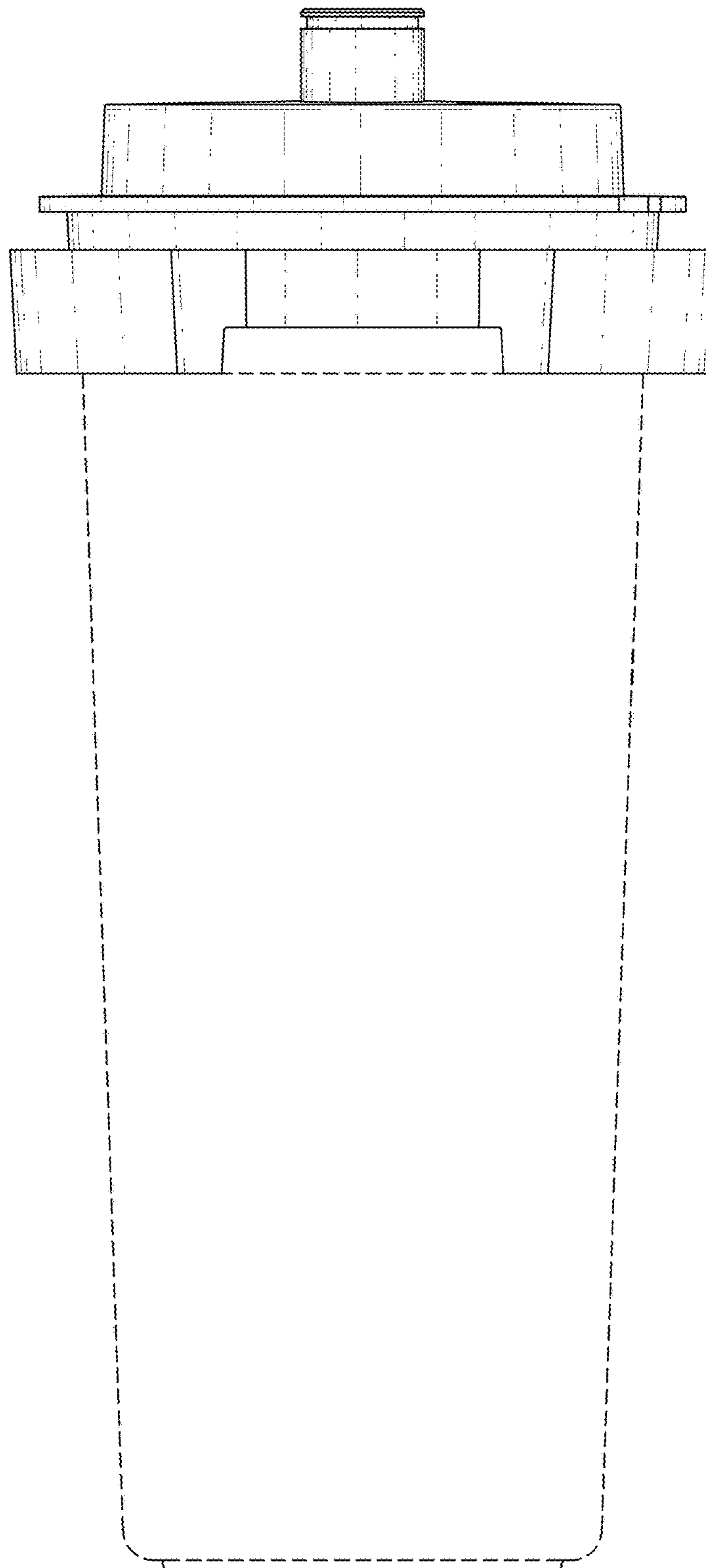


FIG. 4

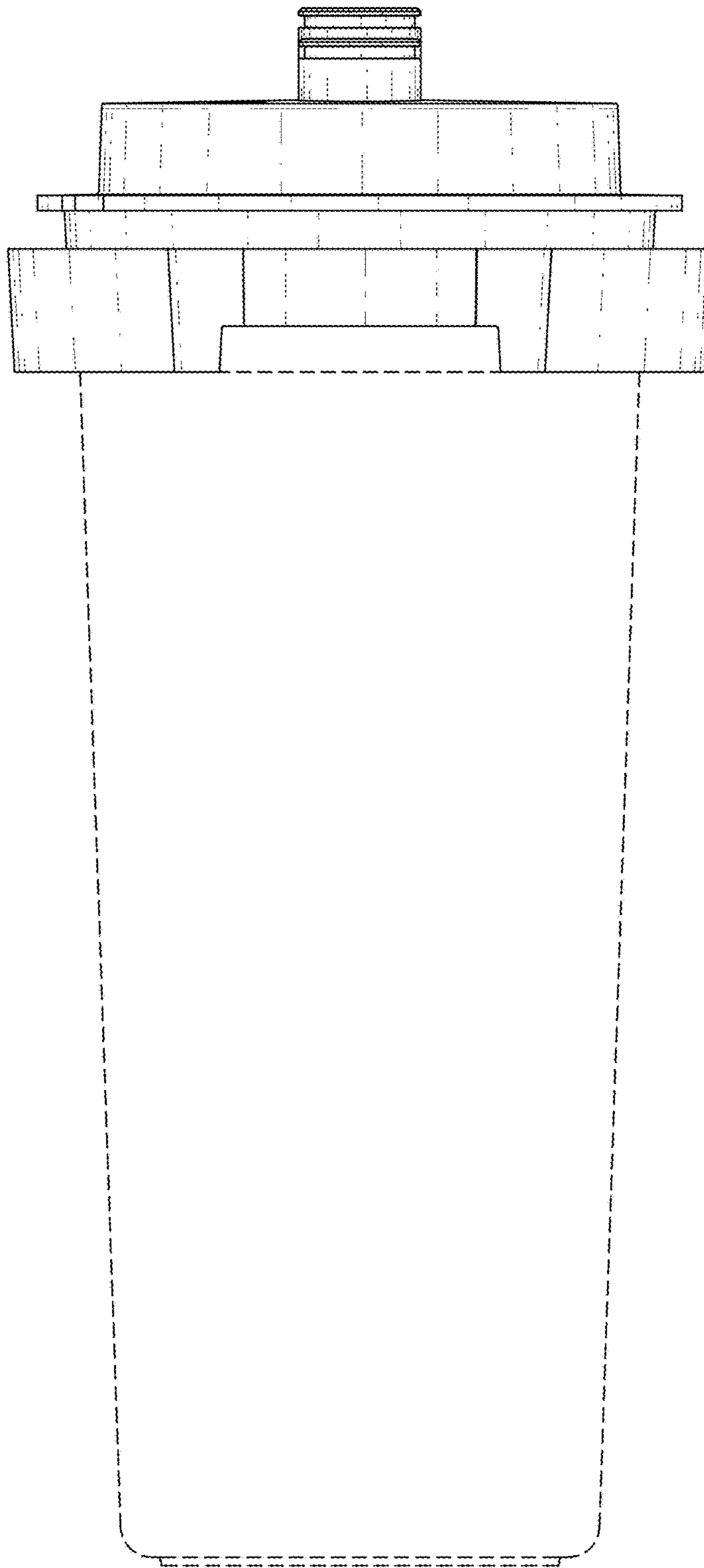


FIG. 5

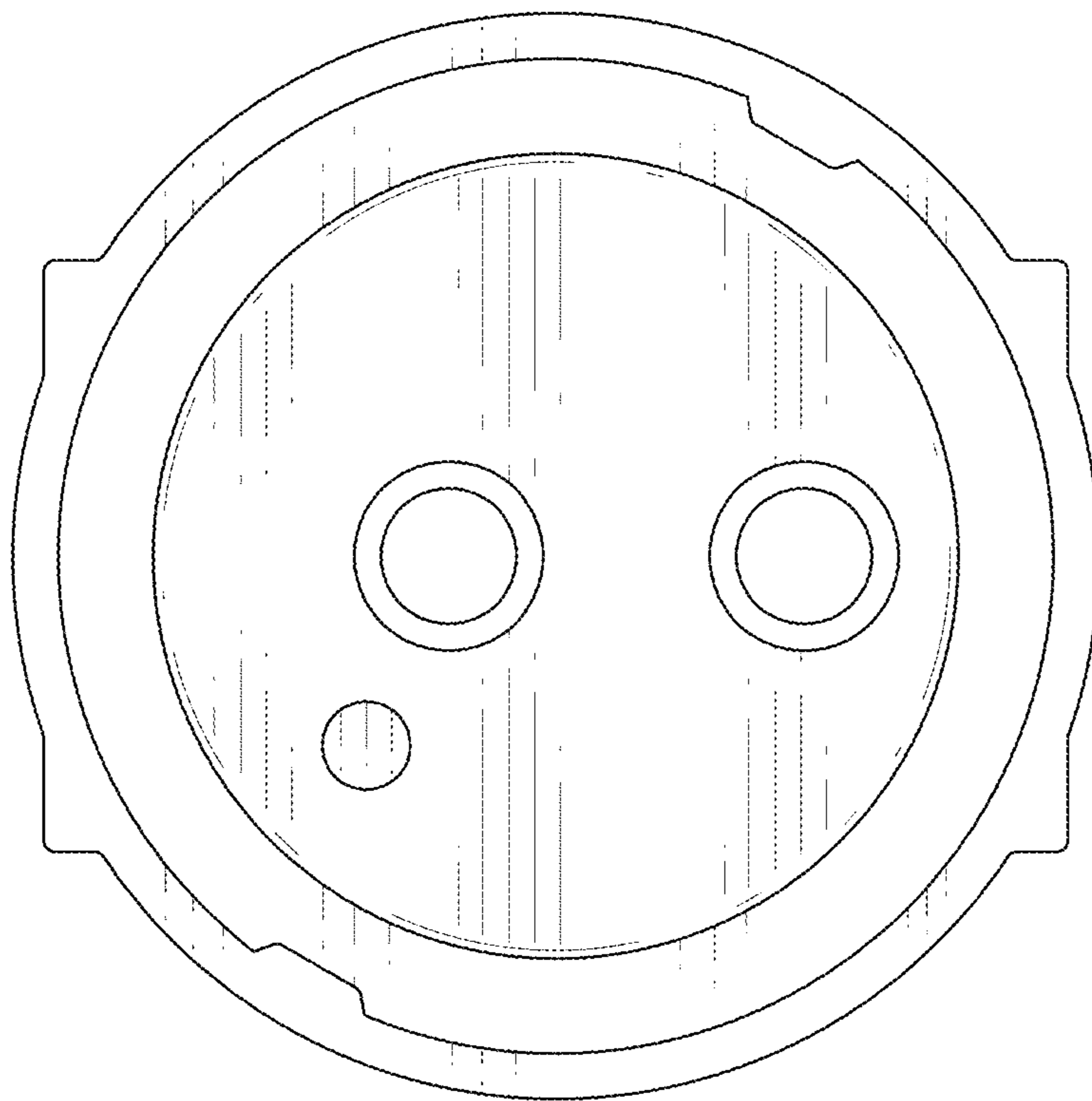


FIG. 6

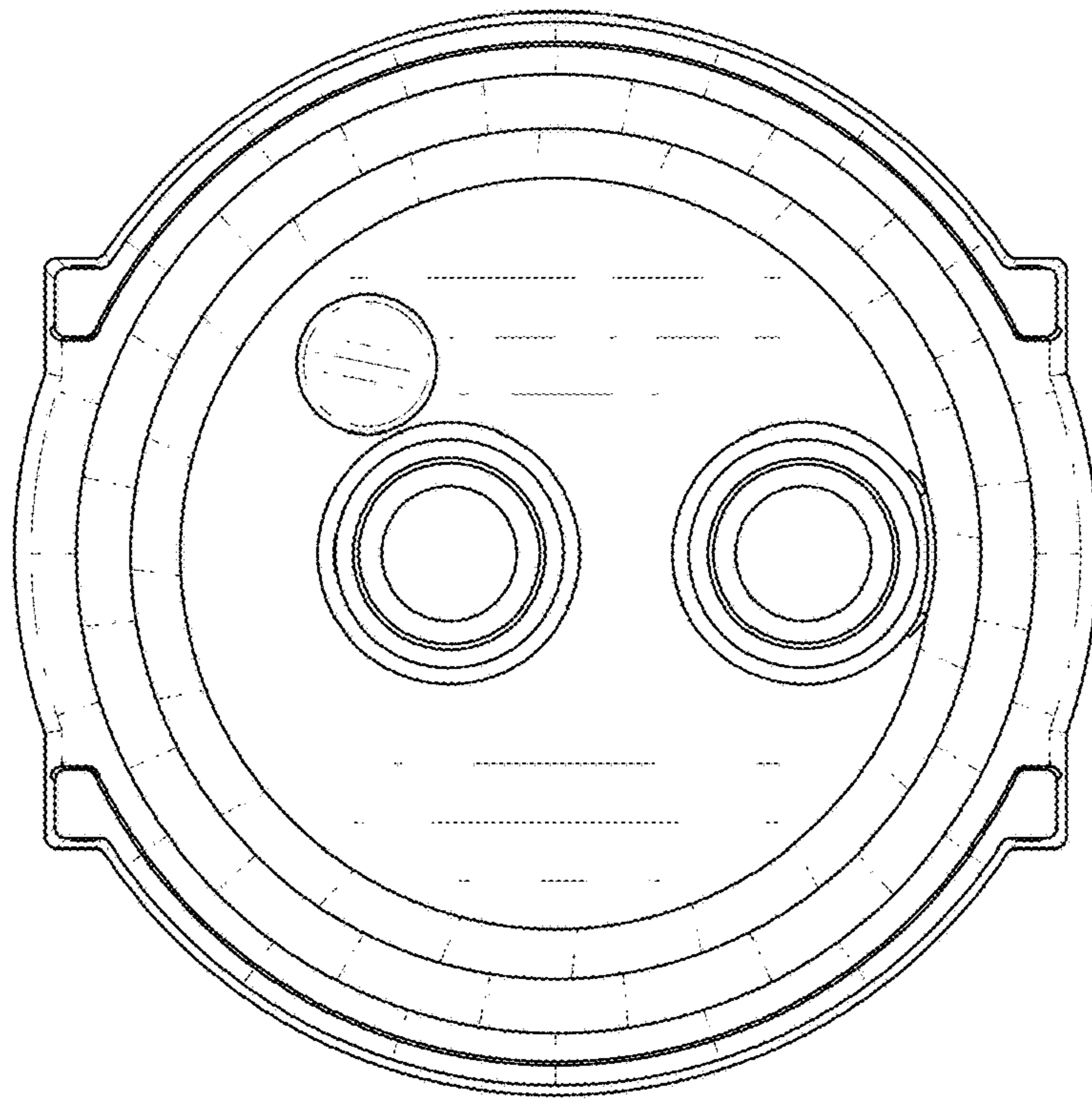


FIG. 7

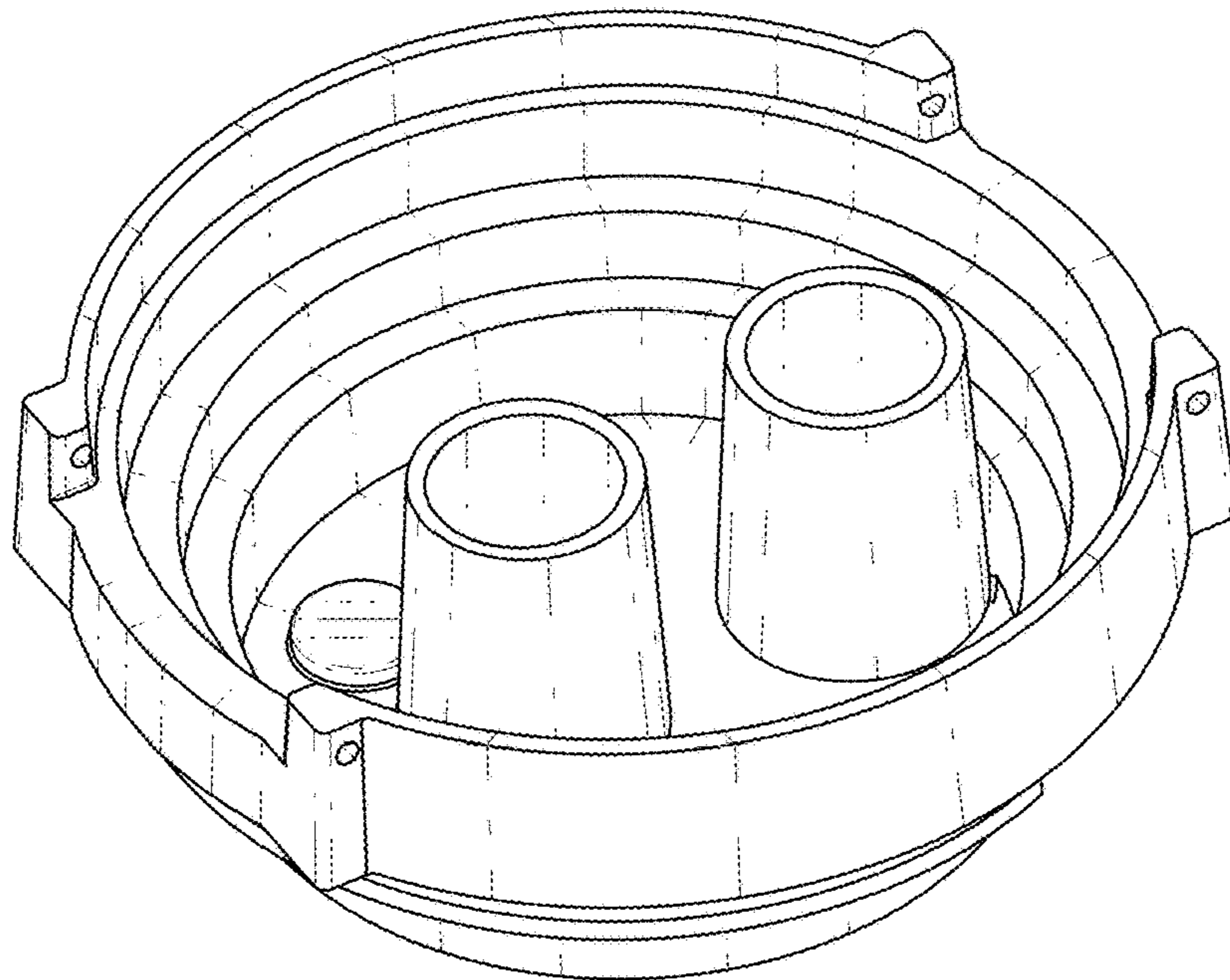


FIG. 8