



US00D835777S

(12) **United States Design Patent** (10) **Patent No.:** **US D835,777 S**  
**Seaver et al.** (45) **Date of Patent:** **\*\* Dec. 11, 2018**

(54) **GUIDEWIRE STYLETTE**

FOREIGN PATENT DOCUMENTS

(71) Applicant: **Arkis Biosciences Inc.**, Knoxville, TN (US)

DE 69633411 T2 10/2005  
WO 1999052481 A1 10/1999

(Continued)

(72) Inventors: **Chad Eric Seaver**, Knoxville, TN (US); **James Chris Arnott**, Knoxville, TN (US); **James Alexander Killeffer**, Knoxville, TN (US); **Quentin T. Aten**, Knoxville, TN (US)

OTHER PUBLICATIONS

Hull Anesthesia, CoPilot VL Reusable Stylet, Nov. 2016, online product page, retrieved Sep. 24, 2017 from <URL:https://web.archive.org/web/20160817114051/http://www.hullanesthesia.com/p/982/copilot-vl-reusable-stylet> (Year: 2016).\*

(Continued)

(73) Assignee: **Arkis BioSciences Inc.**, Knoxville, TN (US)

(\*\*) Term: **15 Years**

*Primary Examiner* — Sheryl Lane

*Assistant Examiner* — Calvin E Vansant

(21) Appl. No.: **29/582,461**

(74) *Attorney, Agent, or Firm* — Meunier Carlin & Curfman LLC

(22) Filed: **Oct. 27, 2016**

(51) **LOC (11) Cl.** ..... **24-02**

(52) **U.S. Cl.**  
USPC ..... **D24/112**

(58) **Field of Classification Search**  
USPC ..... D24/108, 112, 113, 114, 127, 128, 129, D24/130, 133, 141, 146, 147, 152, 186, D24/214, 215; D23/129, 223, 249, 259, D23/262  
CPC .. A61M 2005/1583; A61M 2005/3227; A61M 25/0136; A61M 25/0606; A61M 25/0612; A61M 25/0637; A61M 25/0631; A61M 5/158; A61M 5/1582; A61M 5/3243; A61B 1/00094; A61F 2002/9517  
See application file for complete search history.

(57) **CLAIM**

The ornamental design for a guidewire stylette, as shown and described.

**DESCRIPTION**

FIG. 1 is a perspective view of our new design.  
FIG. 2 is a close-up view of a portion of our new design indicated by the circle in FIG. 1.  
FIG. 3 is a front view of our new design.  
FIG. 4 is a rear view of our new design.  
FIG. 5 is a left-side view of our new design.  
FIG. 6 is a right-side view of our new design.  
FIG. 7 is a top view of our new design; and,  
FIG. 8 is a bottom view of our new design.  
The guidewire stylette is shown with symbolic breaks, the appearance of any portion of the article between the break lines forms no part of the claimed.  
The dash-dot-dash broken lines in the drawings indicate the boundaries of enlarged views and form no part of the claim.

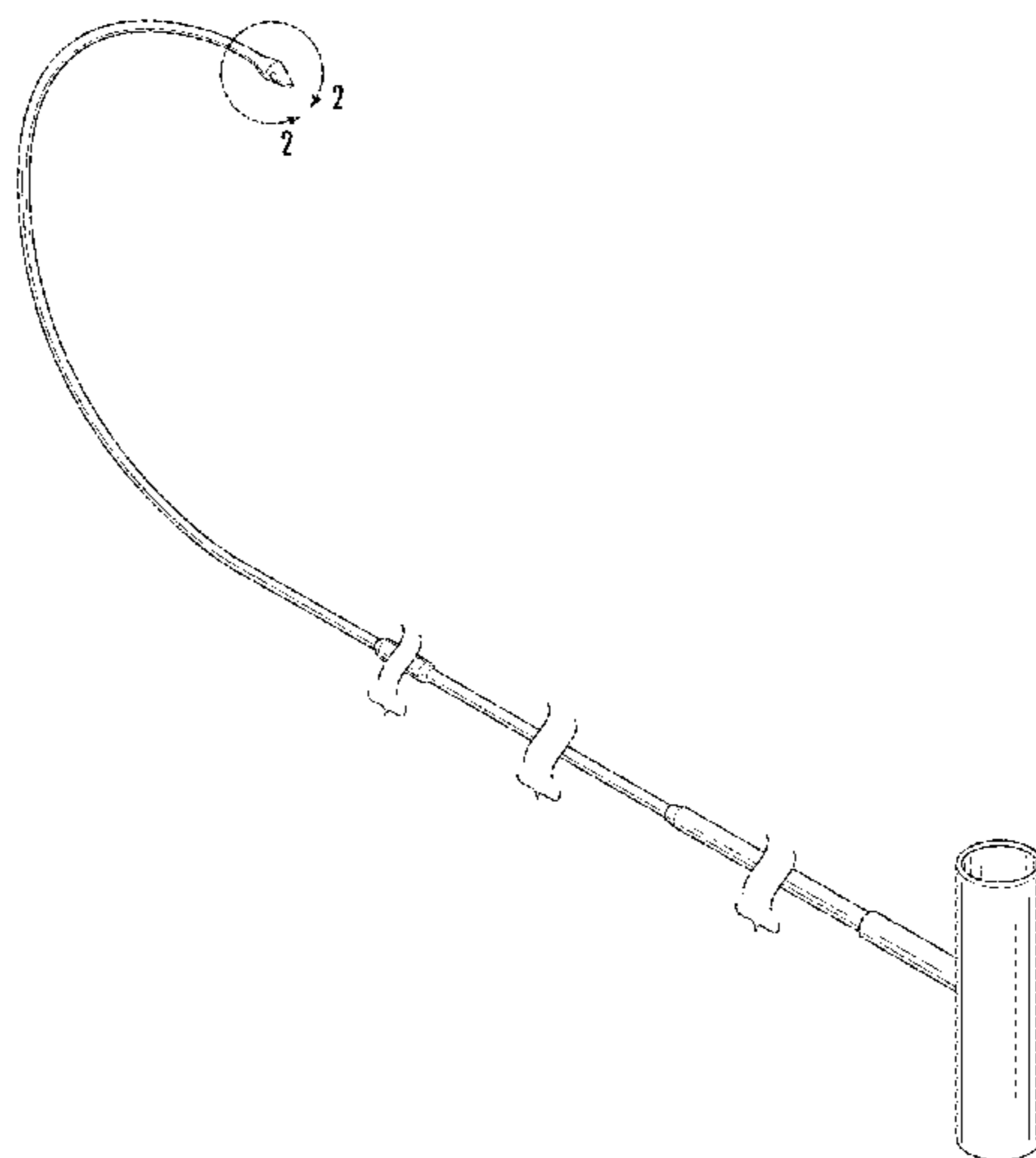
(56) **References Cited**

U.S. PATENT DOCUMENTS

4,149,535 A 4/1979 Volder et al.  
D257,567 S 11/1980 Peacock  
D263,445 S 3/1982 Gordin  
4,318,401 A 3/1982 Zimmerman  
4,464,178 A 8/1984 Dalton

(Continued)

**1 Claim, 5 Drawing Sheets**



(56)

References Cited

U.S. PATENT DOCUMENTS

4,475,898 A 10/1984 Brodner et al.  
 4,631,051 A 12/1986 Harris et al.  
 4,846,186 A 7/1989 Box et al.  
 4,950,232 A 8/1990 Ruzicka et al.  
 5,183,464 A 2/1993 Dubrul et al.  
 5,356,390 A 10/1994 Erskine et al.  
 5,370,640 A 12/1994 Kolff  
 5,385,541 A 1/1995 Kirsch et al.  
 5,704,352 A 1/1998 Buckles et al.  
 5,762,615 A 6/1998 Weier et al.  
 5,916,193 A 6/1999 Stevens et al.  
 5,944,732 A \* 8/1999 Raulerson ..... A61B 17/3415  
 604/264  
 5,980,504 A 11/1999 Sharkey et al.  
 6,007,510 A 12/1999 Nigam et al.  
 6,007,544 A 12/1999 Kim  
 6,190,353 B1 2/2001 Makower  
 6,197,041 B1 3/2001 Shichman et al.  
 6,267,769 B1 7/2001 Truwit et al.  
 6,655,386 B1 12/2003 Makower et al.  
 6,902,547 B2 6/2005 Aves et al.  
 7,134,438 B2 11/2006 Makower et al.  
 7,189,222 B2 3/2007 Elsberry et al.  
 7,678,100 B2 3/2010 Chin et al.  
 7,942,826 B1 \* 5/2011 Scholl ..... A61B 5/0492  
 600/554  
 D640,788 S 6/2011 Appling  
 8,177,772 B2 5/2012 Christensen et al.  
 8,337,475 B2 12/2012 Smith et al.  
 D679,811 S 4/2013 Hahn  
 D692,133 S 10/2013 Steinwachs  
 D694,406 S 11/2013 Hahn  
 D700,318 S 2/2014 Amoah  
 8,768,487 B2 7/2014 Farnan et al.  
 8,784,330 B1 7/2014 Scholl et al.  
 D733,880 S 7/2015 Mueller  
 D744,649 S 12/2015 Brannon  
 D761,961 S 7/2016 Tan et al.  
 D765,245 S 8/2016 Kamal  
 D767,127 S 9/2016 De Beer  
 D771,812 S 11/2016 Shayle  
 D772,411 S 11/2016 Heath et al.  
 D773,664 S 12/2016 DeNeui  
 D775,355 S 12/2016 Georgian  
 D775,723 S 1/2017 Rowe  
 D776,277 S 1/2017 Prendergast  
 D778,443 S \* 2/2017 Brannon ..... D24/147  
 D786,433 S \* 5/2017 Seaver ..... D24/147  
 2002/0121282 A1 \* 9/2002 McGuckin, Jr. .... A61M 1/285  
 128/898  
 2005/0054948 A1 \* 3/2005 Goldenberg ..... A61B 10/025  
 600/567  
 2005/0171452 A1 8/2005 Neff et al.  
 2007/0179426 A1 8/2007 Selden et al.

2008/0051721 A1 2/2008 Carter et al.  
 2008/0161843 A1 7/2008 Clague et al.  
 2008/0194993 A1 8/2008 McLaren et al.  
 2008/0262406 A1 10/2008 Wiener et al.  
 2009/0048537 A1 2/2009 Lydon et al.  
 2009/0171367 A1 7/2009 Hardin et al.  
 2010/0211048 A1 8/2010 Arai et al.  
 2010/0222732 A1 9/2010 Sevrain et al.  
 2013/0267982 A1 10/2013 Seaver et al.

FOREIGN PATENT DOCUMENTS

WO 2007089724 A2 8/2007  
 WO 2013147978 A2 10/2013

OTHER PUBLICATIONS

Asico.com, Akahoshi Curved Ball I/A Tip, video dated Jun. 2013, online product page and demo video, retrieved Sep. 24, 2017 from <URL:http://www.asico.com/products/cannula/i-a/akahoshi-curved-ball-i-a-tip.html#.WceAU\_krlb9> (Year: 2013).\*

HomeDepot.com, Klein Tools 200 ft Multi-Groove Non-Conductive Fiberglass Fish Tape, available on Archive.org Sep. 2015, Retrieved Sep. 24, 2017 from <URL:http://www.homedepot.com/p/Klein-Tools-200-ft-Multi-Groove-Non-Conductive-Fiberglass-Fish-Tape-56059/205595580> (Year: 2015).\*

BassPro.com, Offshore Angler 3½" Handy Hook, undated online product page, retrieved Feb. 1, 2018 from <URL:https://www.basspro.com/shop/en/offshore-angler-3-1-2-handly-hook?> (Year: 2018).\*

Restriction Requirement issued in U.S. Appl. No. 29/522,886, dated Mar. 14, 2017.

Restriction Requirement issued in U.S. Appl. No. 29/522,886, dated Jun. 29, 2017.

Notice of Allowance dated Mar. 28, 2017, issued in U.S. Appl. No. 29/553,272.

Sandquist, "A Single-Pass Tunneling Technique for CSF Shunting Procedures", Pediatric Neurosurgery, 2003, 39: 254-257.

Office Action dated Dec. 31, 2015, issued in U.S. Appl. No. 14/660,616.

Office Action dated Sep. 27, 2016, issued in U.S. Appl. No. 15/237,024.

International Search Report and Written Opinion issued in International Application No. PCT/US2015/020979, dated Jun. 26, 2015.

International Preliminary Report on Patentability issued in International Application No. PCT/US2015/020979, dated Sep. 20, 2016.

Harrison et al., "Guidewire Stiffness: What's in a Name?," J. Endovasc. Ther., 2011, vol. 18, pp. 797-801.

European Supplementary Search Report conducted in European Application No. 15765234.8, dated Nov. 3, 2017.

Restriction Requirement issued in co-pending U.S. Appl. No. 29/582,463, dated Oct. 16, 2017.

\* cited by examiner

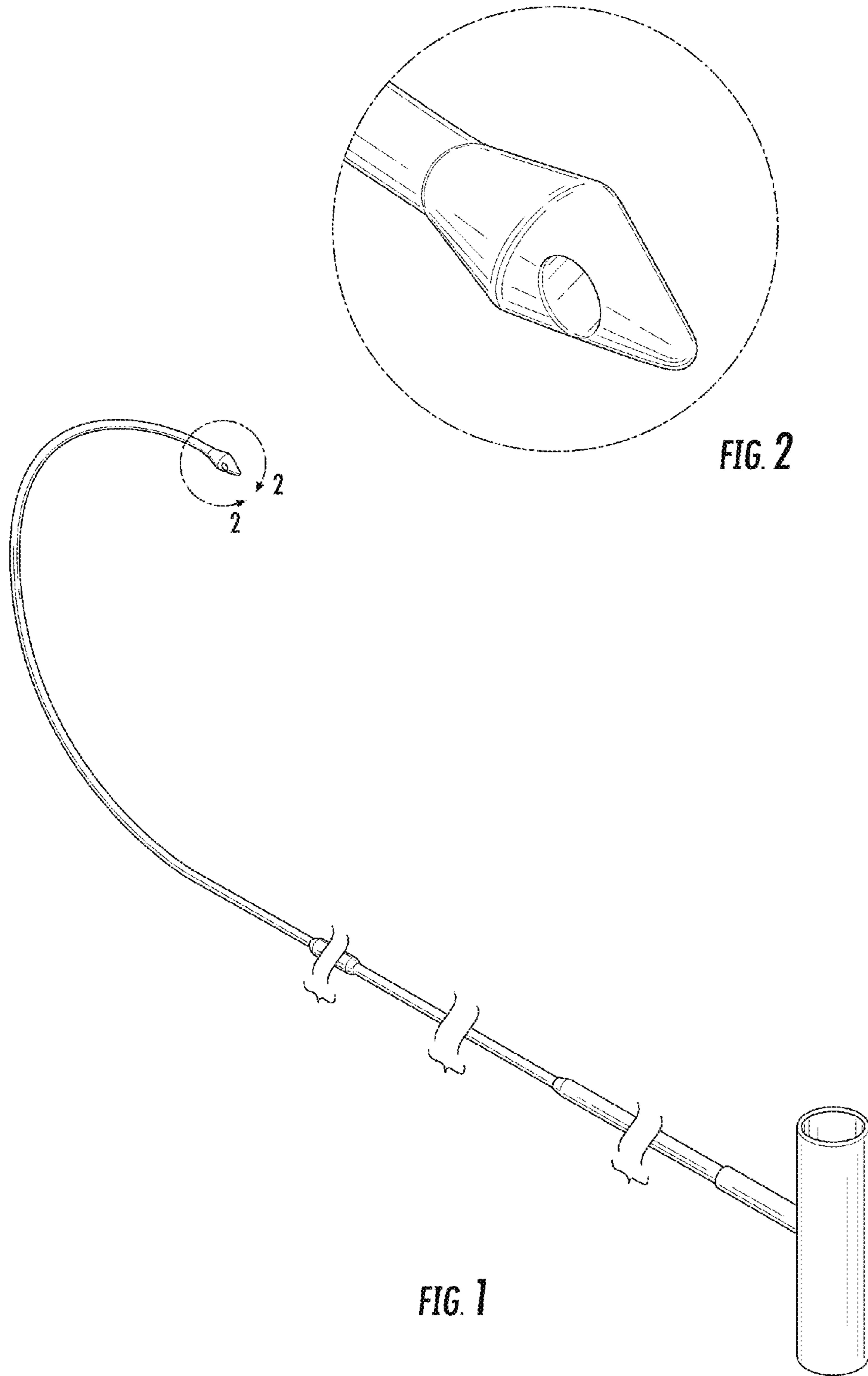
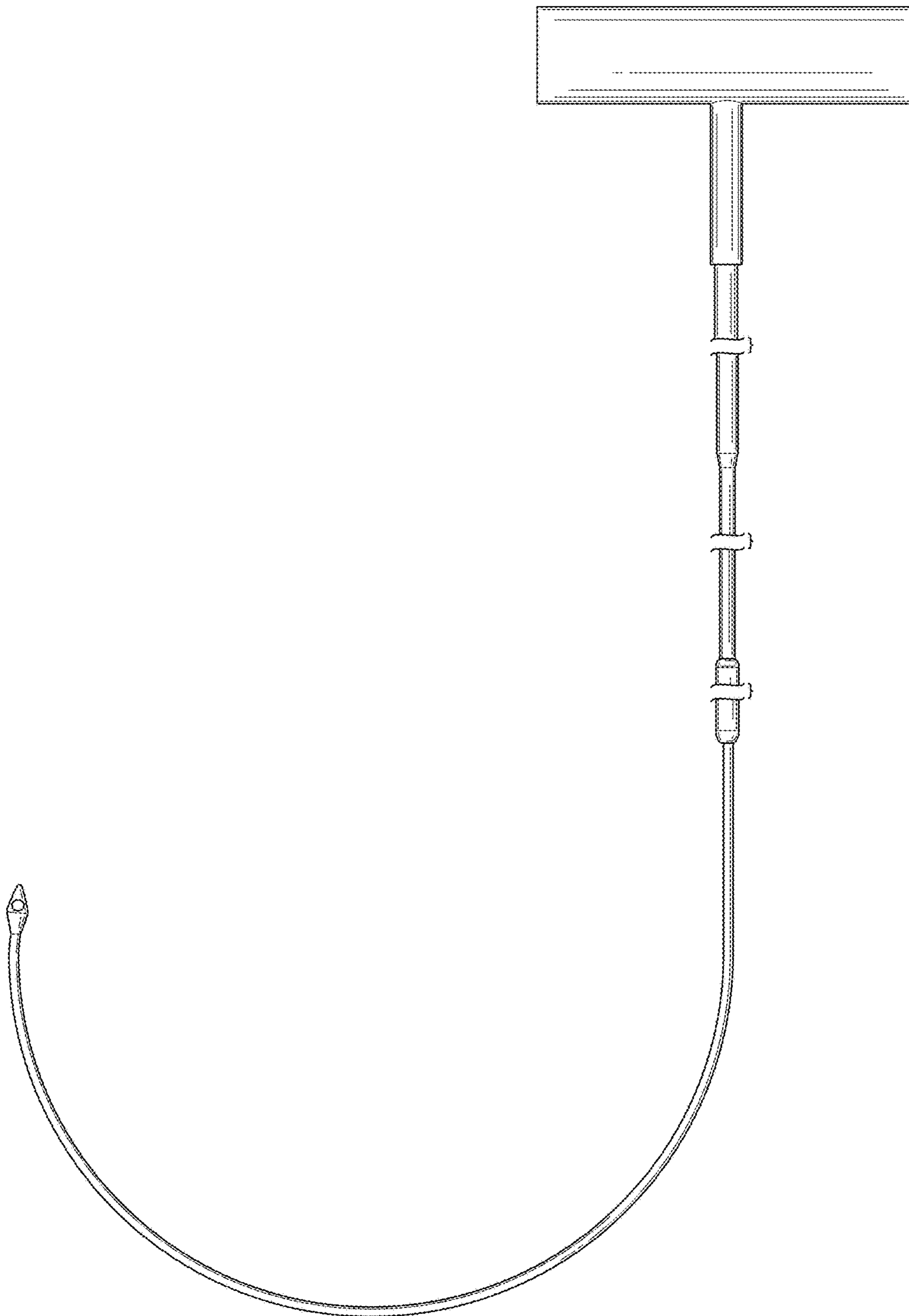


FIG. 2

FIG. 1



FIG. 3



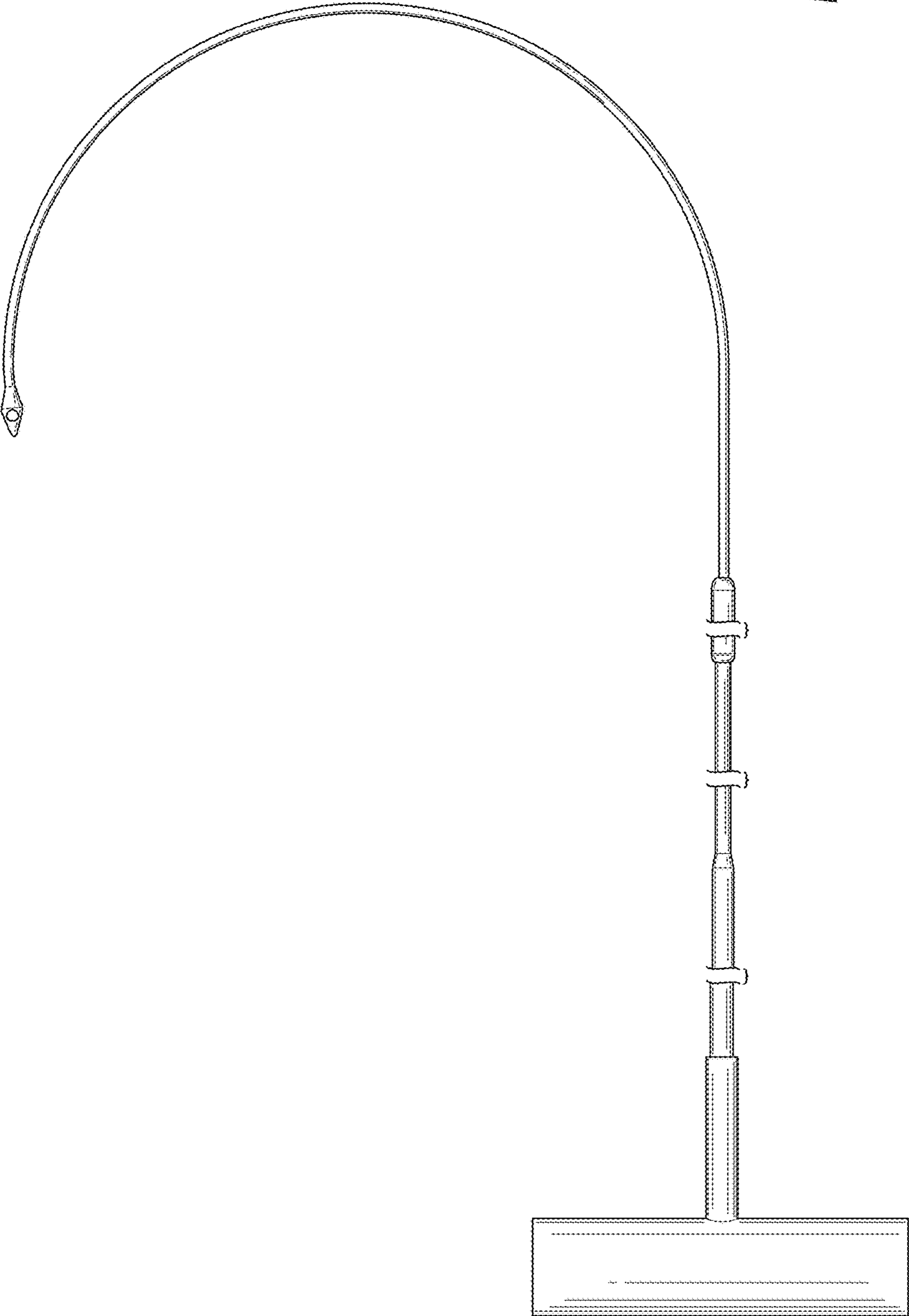


FIG. 4

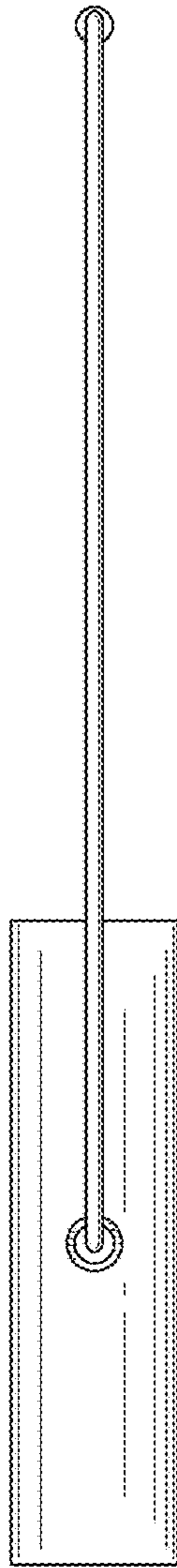


FIG. 5

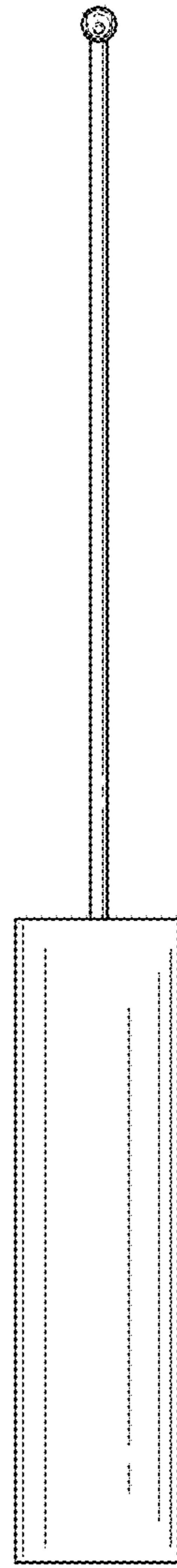


FIG. 6

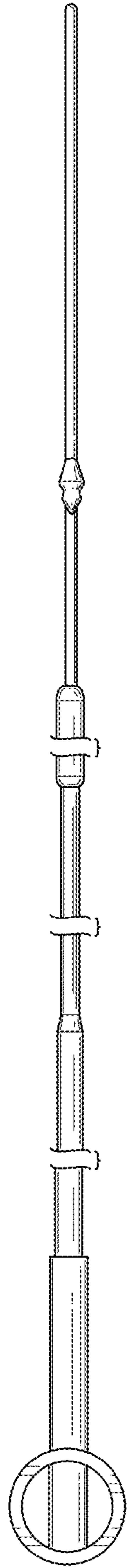


FIG. 7

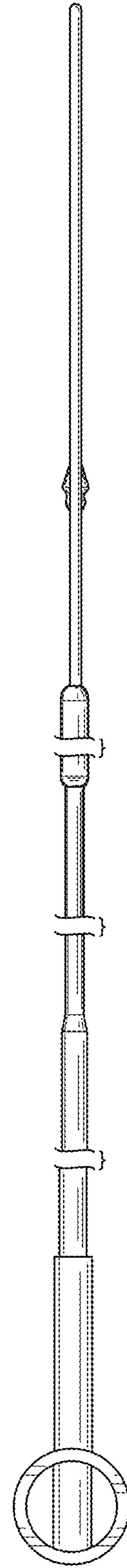


FIG. 8