



US00D835774S

(12) **United States Design Patent**
Shapiro

(10) **Patent No.:** **US D835,774 S**

(45) **Date of Patent:** **** Dec. 11, 2018**

(54) **PORTABLE FAN**

(71) Applicant: **Lasko Operation Holdings LLC**,
Wilmington, DE (US)

(72) Inventor: **Barry Shapiro**, Doylestown, PA (US)

(73) Assignee: **Lasko Operation Holdings, LLC**,
Wilmington, DE (US)

(**) Term: **15 Years**

(21) Appl. No.: **29/613,160**

(22) Filed: **Aug. 8, 2017**

(51) **LOC (11) Cl.** **23-04**

(52) **U.S. Cl.**
USPC **D23/383**

(58) **Field of Classification Search**
USPC D23/370–383, 411–414, 364, 365;
D32/15
CPC A61L 9/12; A61L 9/04; A61L 9/122
See application file for complete search history.

(56) **References Cited**

U.S. PATENT DOCUMENTS

D152,778 S *	2/1949	Fox	D23/370
D269,116 S *	5/1983	Armbruster	D23/328
4,424,006 A *	1/1984	Armbruster	F21V 33/0088
				417/234
5,555,643 A *	9/1996	Guasch	E04B 1/7092
				15/405

D482,772 S *	11/2003	Dooley	D23/383
D512,500 S *	12/2005	Wilson, Jr.	D23/383
D512,501 S *	12/2005	Wilson, Jr.	D23/383
D566,823 S *	4/2008	Lewis	D23/383
D594,962 S *	6/2009	Lewis	D23/383
D704,908 S *	5/2014	Cui	D32/15
D733,981 S *	7/2015	Sechere	D32/8
2016/0175472 A1 *	6/2016	Tan	A61L 9/122
				422/4

* cited by examiner

Primary Examiner — Janice Hallmark

(74) *Attorney, Agent, or Firm* — Pepper Hamilton LLP

(57) **CLAIM**

The ornamental design for a portable fan, as shown and described.

DESCRIPTION

FIG. 1 is a left side front perspective view of a portable fan showing my new design;

FIG. 2 is a left side rear perspective view thereof;

FIG. 3 is a front elevation view thereof;

FIG. 4 is a right side elevation view thereof;

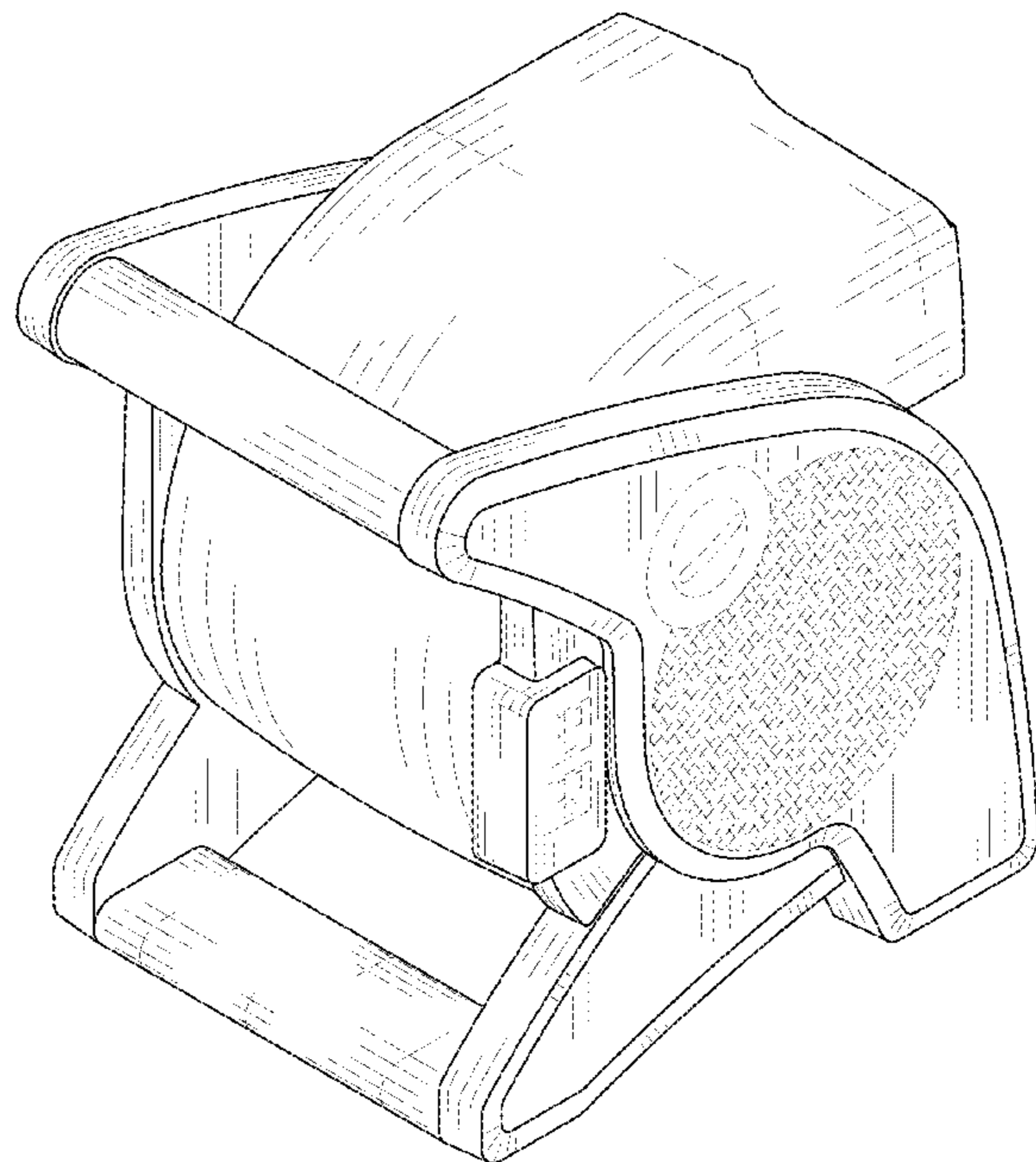
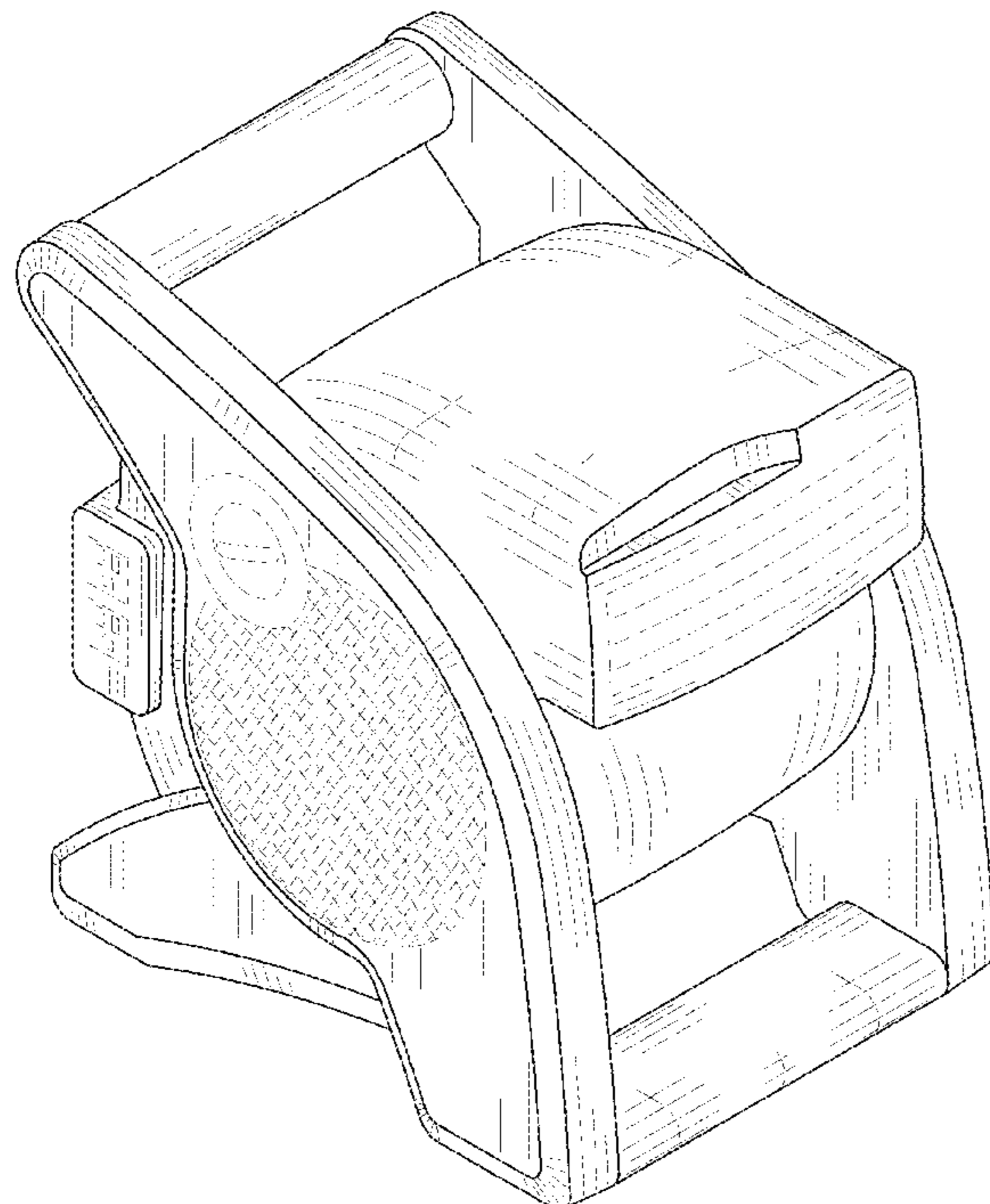
FIG. 5 is a left side elevation view thereof;

FIG. 6 is a rear elevation view thereof; and,

FIG. 7 is a top plan view thereof.

The broken line showing of a front grill, right and left side grills, left side controls and left side electrical outlets are included for the purpose of illustrating environmental structure and forms no part of the claimed design.

1 Claim, 7 Drawing Sheets



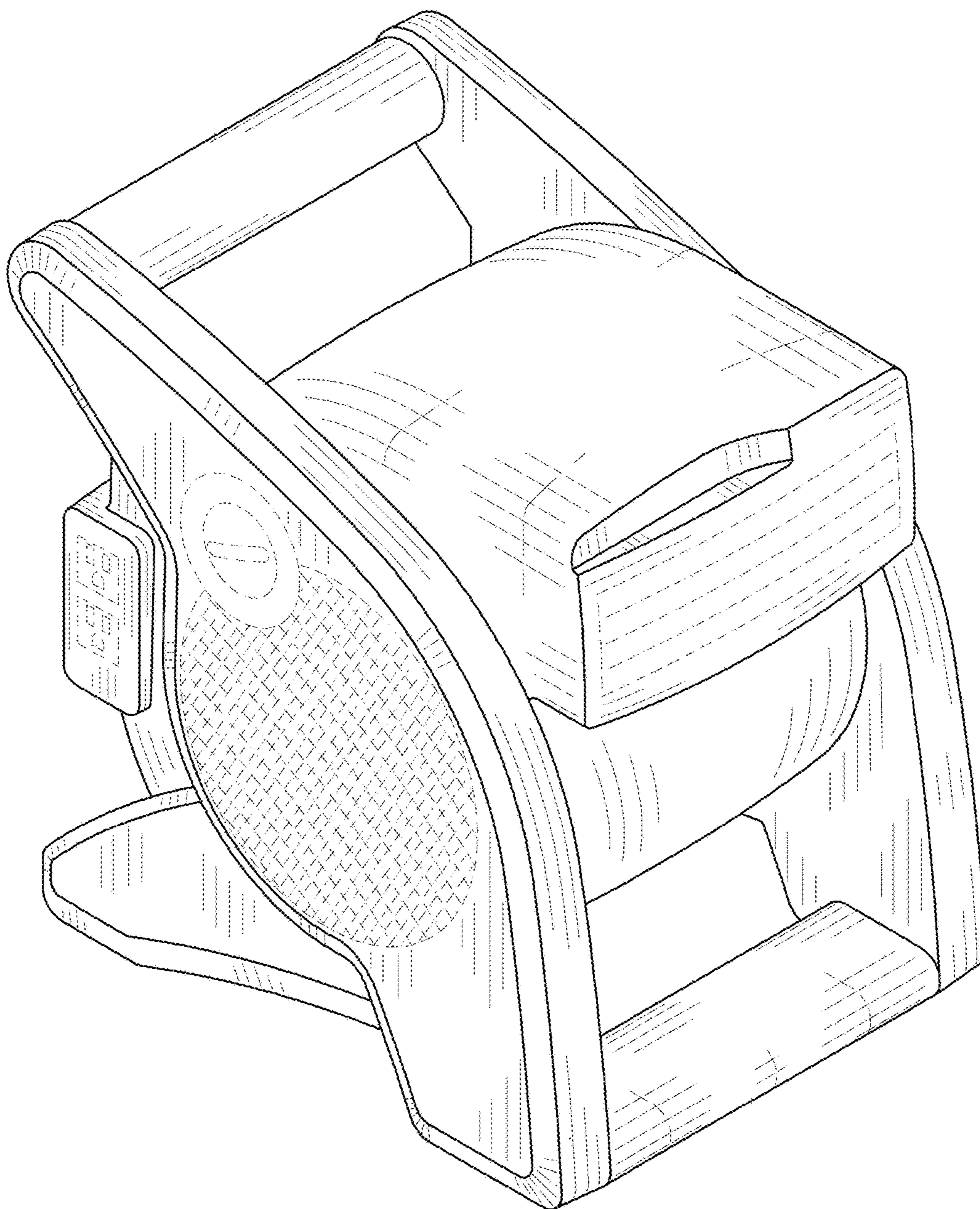


FIG. 1

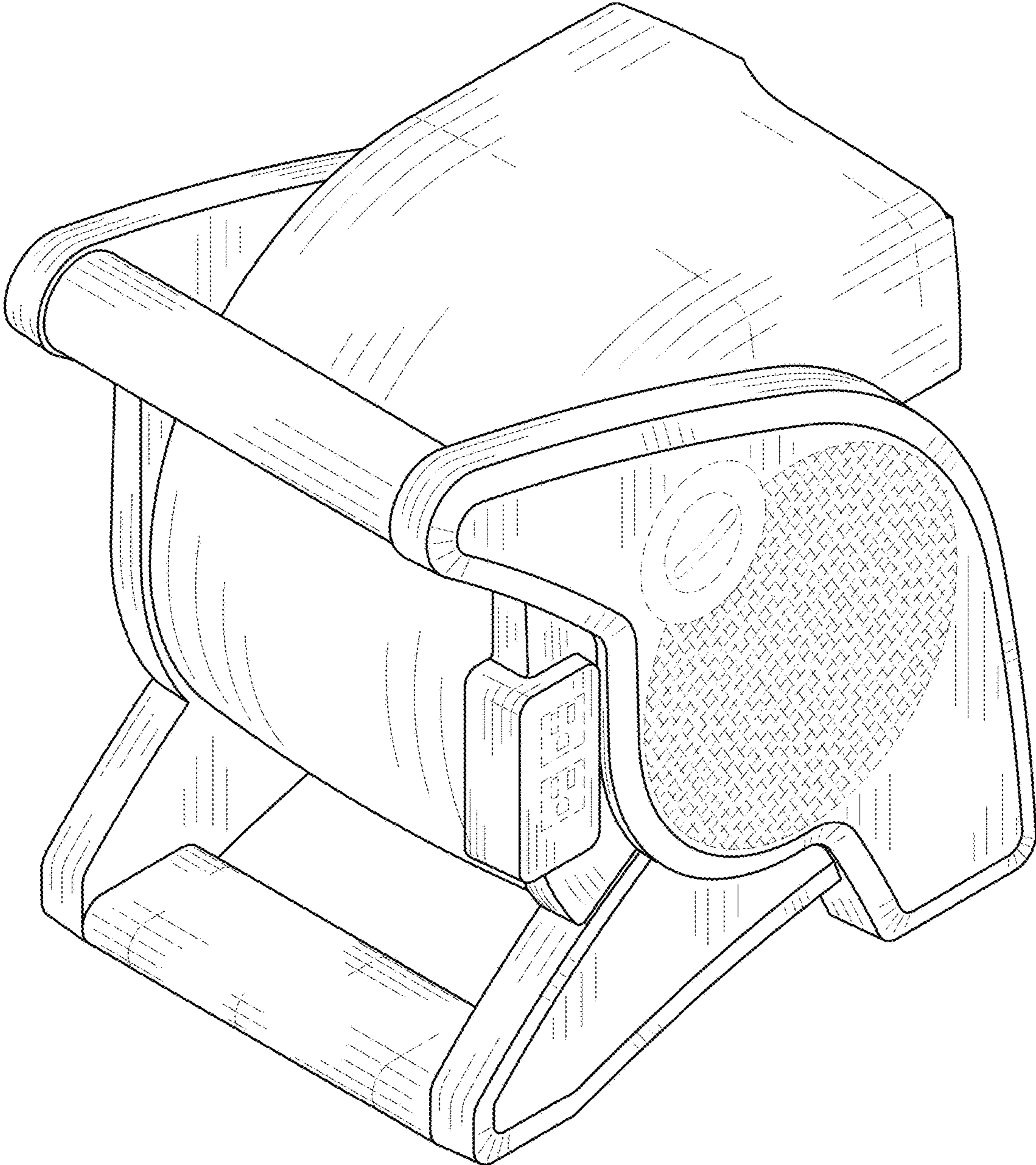


FIG. 2

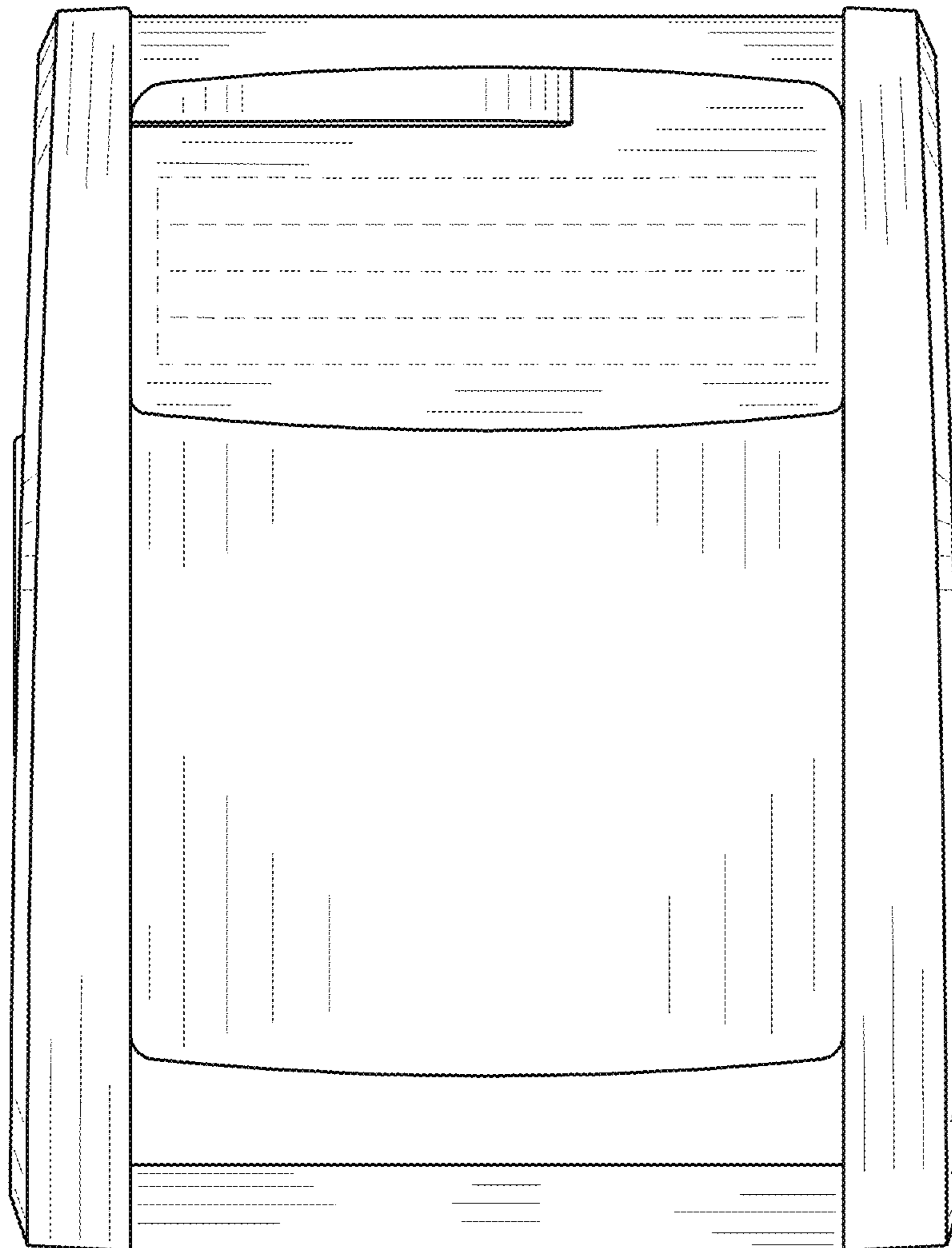


FIG. 3

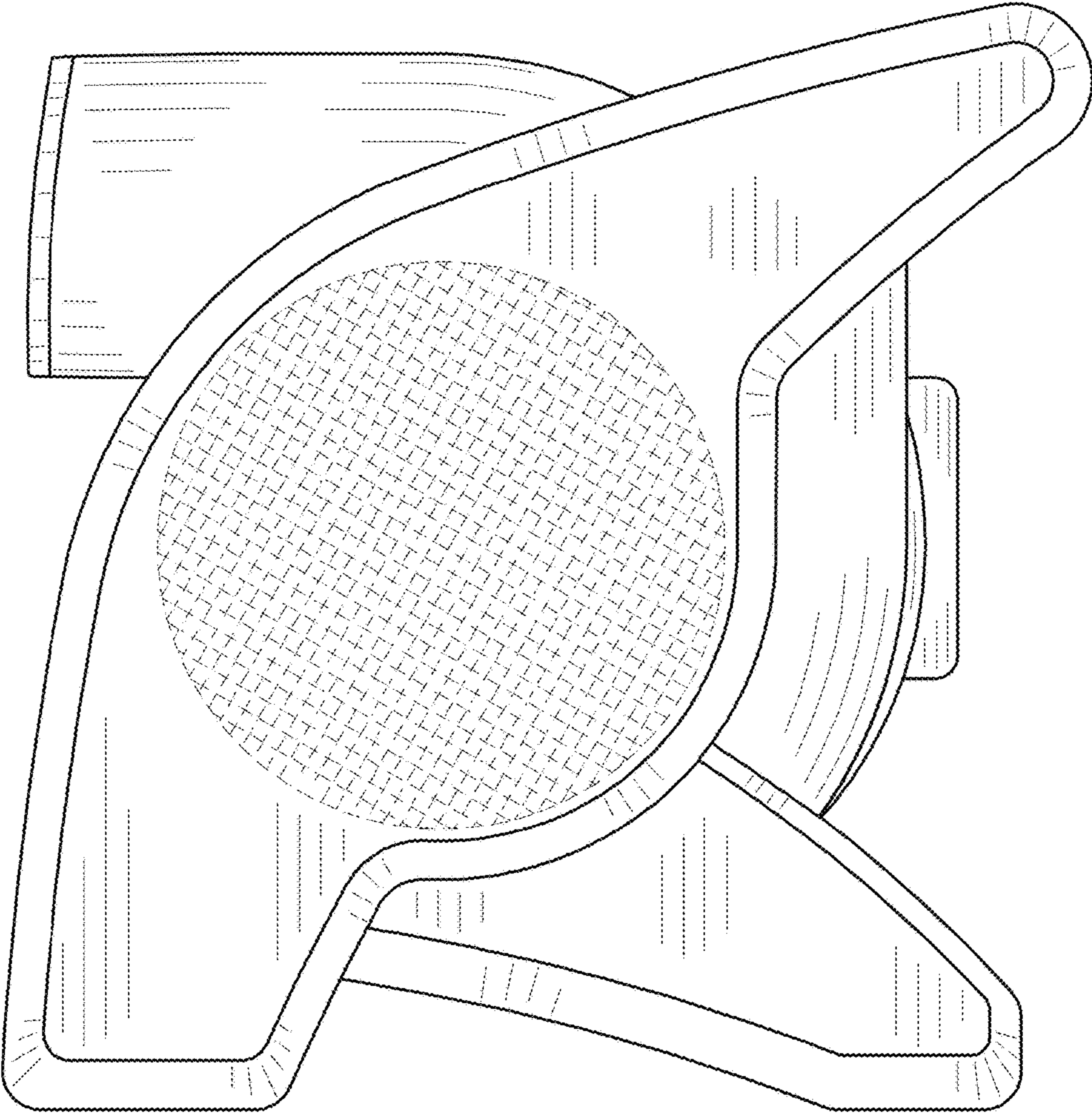


FIG. 4

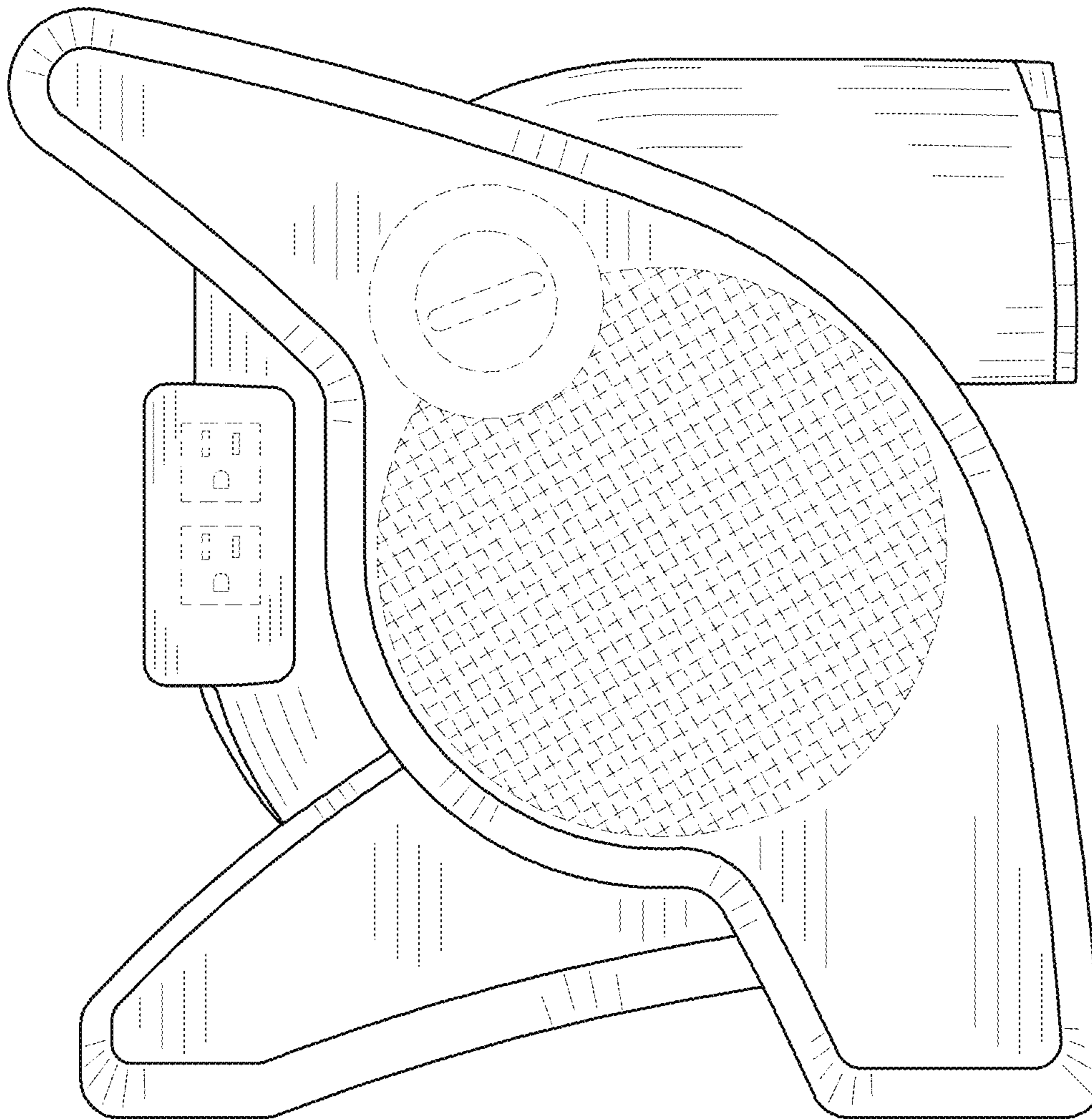


FIG. 5

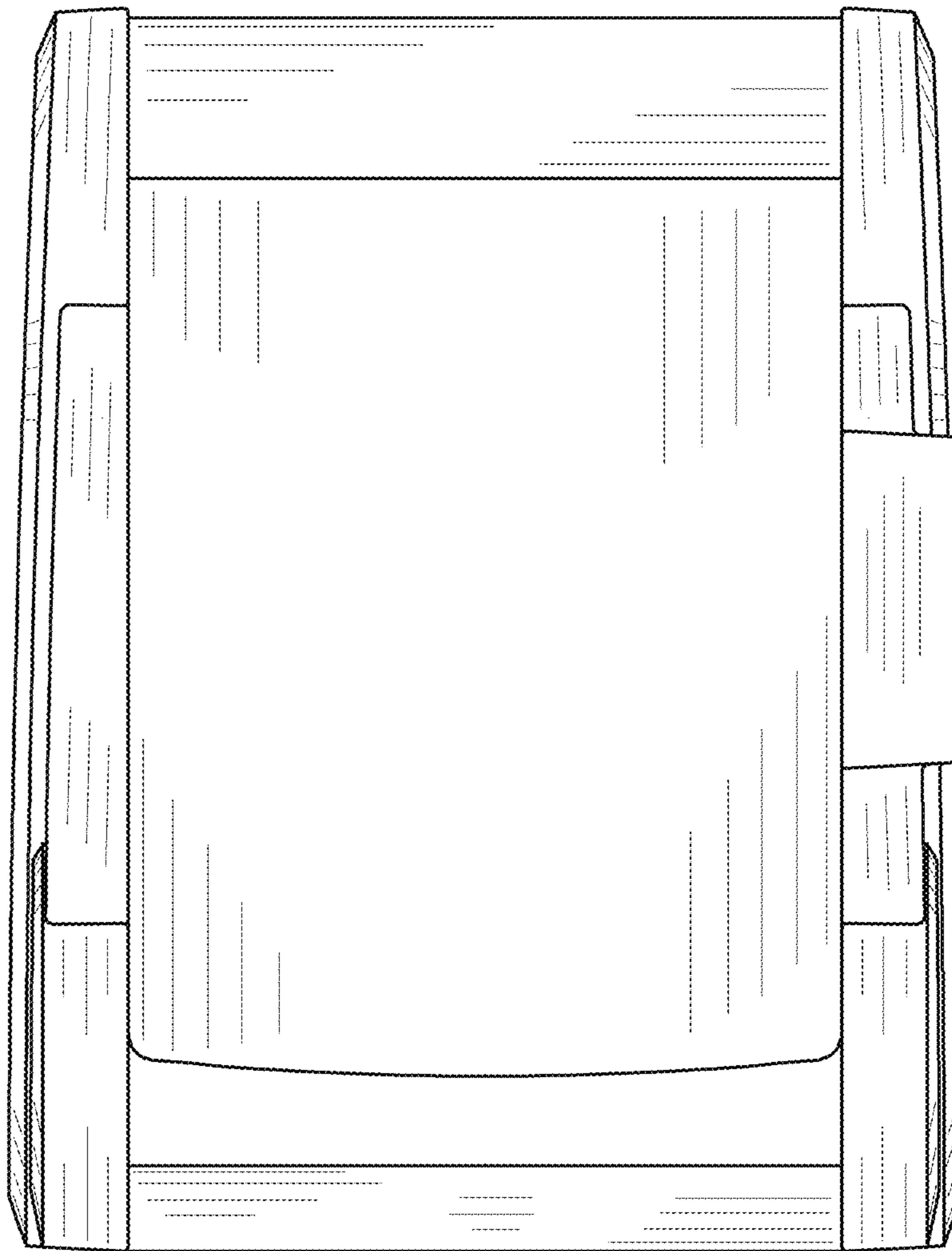


FIG. 6

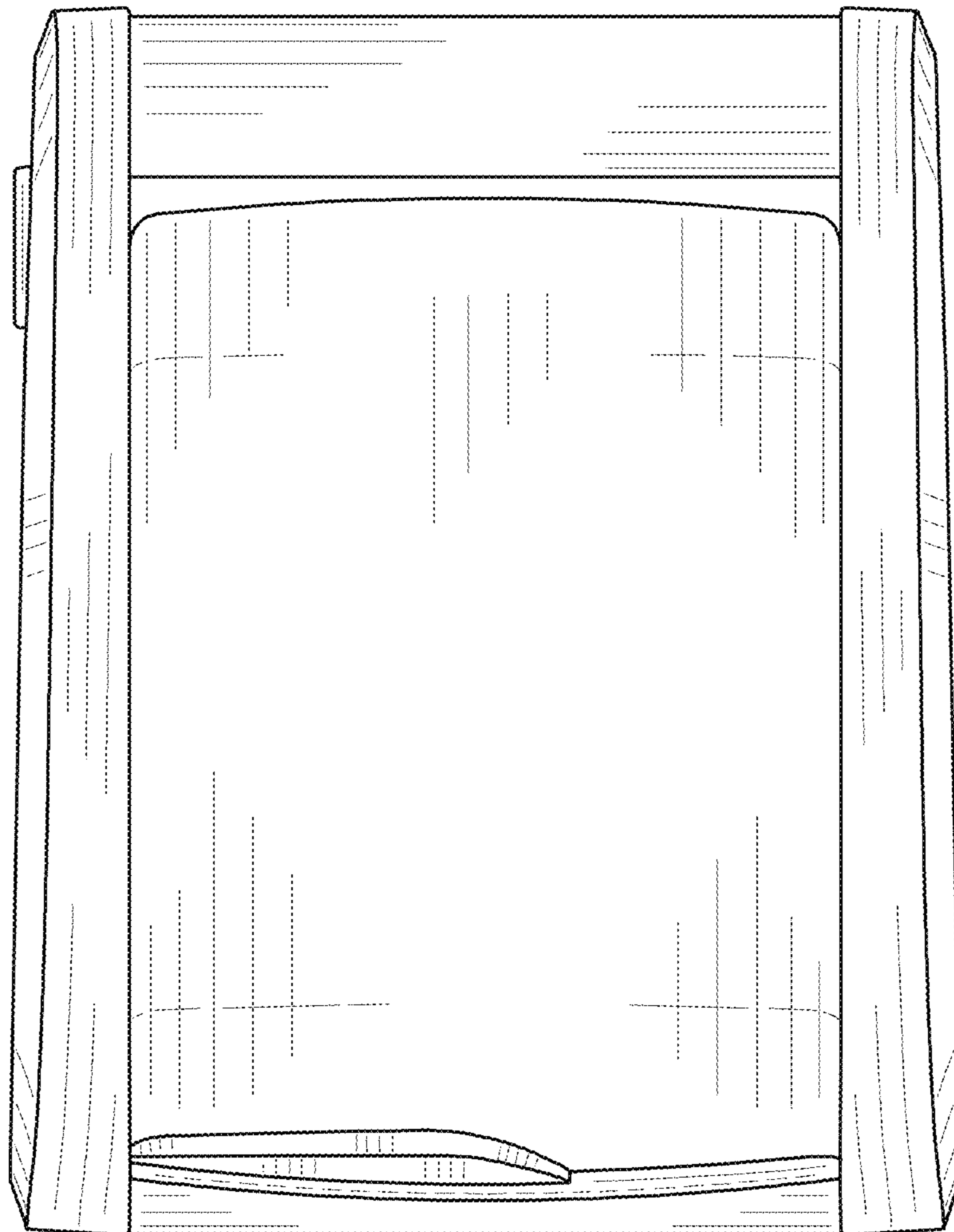


FIG. 7