



US00D835771S

(12) **United States Design Patent** (10) **Patent No.:** **US D835,771 S**
Farrell et al. (45) **Date of Patent:** **** Dec. 11, 2018**

(54) **CHARM CONNECTOR FOR A FRAGRANCE DISPENSER**

(71) Applicant: **Rimports Inc.**, Provo, UT (US)

(72) Inventors: **Alan K. Farrell**, Salt Lake City, UT (US); **Joe Robinson**, Lehi, UT (US)

(73) Assignee: **Rimports, LLC**, Provo, UT (US)

(**) Term: **15 Years**

(21) Appl. No.: **29/600,635**

(22) Filed: **Apr. 13, 2017**

(51) **LOC (11) Cl.** **28-99**

(52) **U.S. Cl.**
USPC **D23/366**

(58) **Field of Classification Search**
USPC D23/355–370, 386–388; D11/11, 86, 87, D11/101, 181, 208, 212, 228; D8/356, D8/396; D2/853, 935, 946
(Continued)

(56) **References Cited**

U.S. PATENT DOCUMENTS

D359,839 S * 7/1995 Silva D2/946
D409,475 S * 5/1999 Byrne D8/356
(Continued)

Primary Examiner — Lakiya G Rogers

Assistant Examiner — John A Voytek

(74) *Attorney, Agent, or Firm* — Durham Jones & Pinegar, P.C., Intellectual Property Law Group

(57) **CLAIM**

The ornamental design for a charm connector for a fragrance dispenser, as shown and described.

DESCRIPTION

FIG. 1 is a front perspective view of a charm connector for a fragrance dispenser;

FIG. 2 is a first rear perspective view of the charm connector for a fragrance dispenser shown in FIG. 1;

FIG. 3 is a second rear perspective view of the charm connector for a fragrance dispenser shown in FIG. 1;

FIG. 4 is a front view of the charm connector for a fragrance dispenser shown in FIG. 1;

FIG. 5 is a rear view of the charm connector for a fragrance dispenser shown in FIG. 1;

FIG. 6 is a top view of the charm connector for a fragrance dispenser shown in FIG. 1;

FIG. 7 is a bottom view of the charm connector for a fragrance dispenser shown in FIG. 1;

FIG. 8 is a left side view of the charm connector for a fragrance dispenser shown in FIG. 1;

FIG. 9 is a right side view of the charm connector for a fragrance dispenser shown in FIG. 1;

FIG. 10 is a rear view of the charm connector for a fragrance dispenser of FIG. 1 on a charm for a fragrance dispenser; and FIG. 11 is a right side view showing use of the charm connector for a fragrance dispenser of FIG. 1 to connect a charm to an embodiment of fragrance dispenser;

FIG. 12 is a front perspective view of a charm connector for a fragrance dispenser, showing an optional variation in which engagement features protrude from a front surface of the charm connector;

FIG. 13 is a first rear perspective view of the charm connector for a fragrance dispenser shown in FIG. 12;

FIG. 14 is a second rear perspective view of the charm connector for a fragrance dispenser shown in FIG. 12;

FIG. 15 is a front view of the charm connector for a fragrance dispenser shown in FIG. 12;

FIG. 16 is a rear view of the charm connector for a fragrance dispenser shown in FIG. 12;

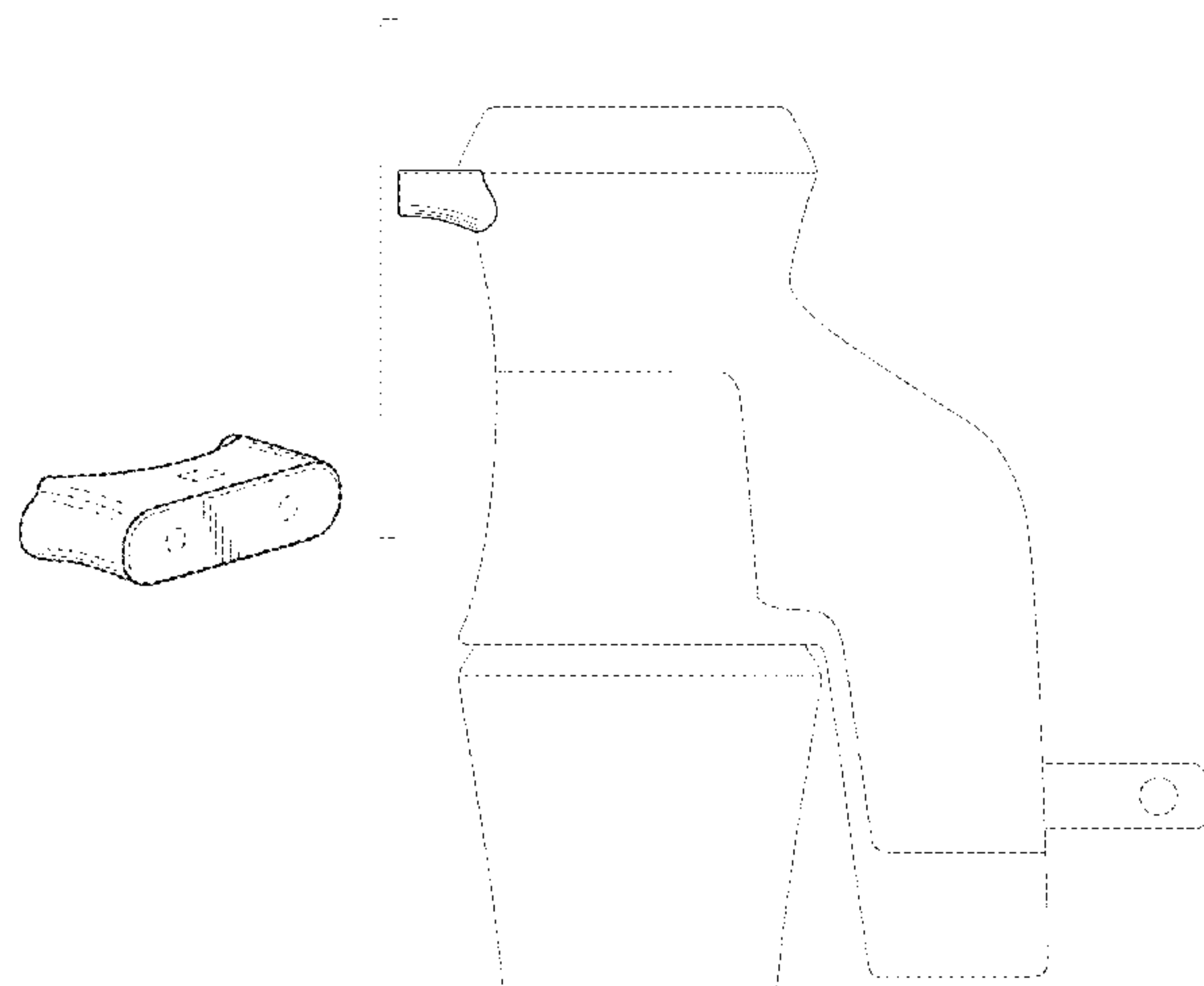
FIG. 17 is a top view of the charm connector for a fragrance dispenser shown in FIG. 12;

FIG. 18 is a bottom view of the charm connector for a fragrance dispenser shown in FIG. 12;

FIG. 19 is a left side view of the charm connector for a fragrance dispenser shown in FIG. 12; and,

FIG. 20 is a right side view of the charm connector for a fragrance dispenser shown in FIG. 12.

(Continued)



The broken lines in the drawings represent unclaimed environmental subject matter and form no part of the claim.

1 Claim, 4 Drawing Sheets

(58) Field of Classification Search

CPC ... A61L 9/03; A61L 9/12; A61F 9/026; B01D
46/0004; G09F 7/22; G09F 19/08

See application file for complete search history.

(56) References Cited

U.S. PATENT DOCUMENTS

D520,720	S	*	5/2006	Hobson	D2/946
D527,980	S	*	9/2006	Sato	D8/307
D568,724	S	*	5/2008	Schwartz	D8/356
7,896,399	B1	*	3/2011	Orsini	F01N 13/1805 135/97
D704,536	S	*	5/2014	Porta	D8/356
D709,359	S	*	7/2014	Symons	D8/396
D731,293	S	*	6/2015	Fretz	D8/356
D741,807	S	*	10/2015	Kim	D13/133
D775,514	S	*	1/2017	Muhlenkamp, IV	D16/242
9,743,713	B1	*	8/2017	Lam	A43C 11/24
2015/0096193	A1	*	4/2015	Senegal	A43C 11/08 36/51

* cited by examiner

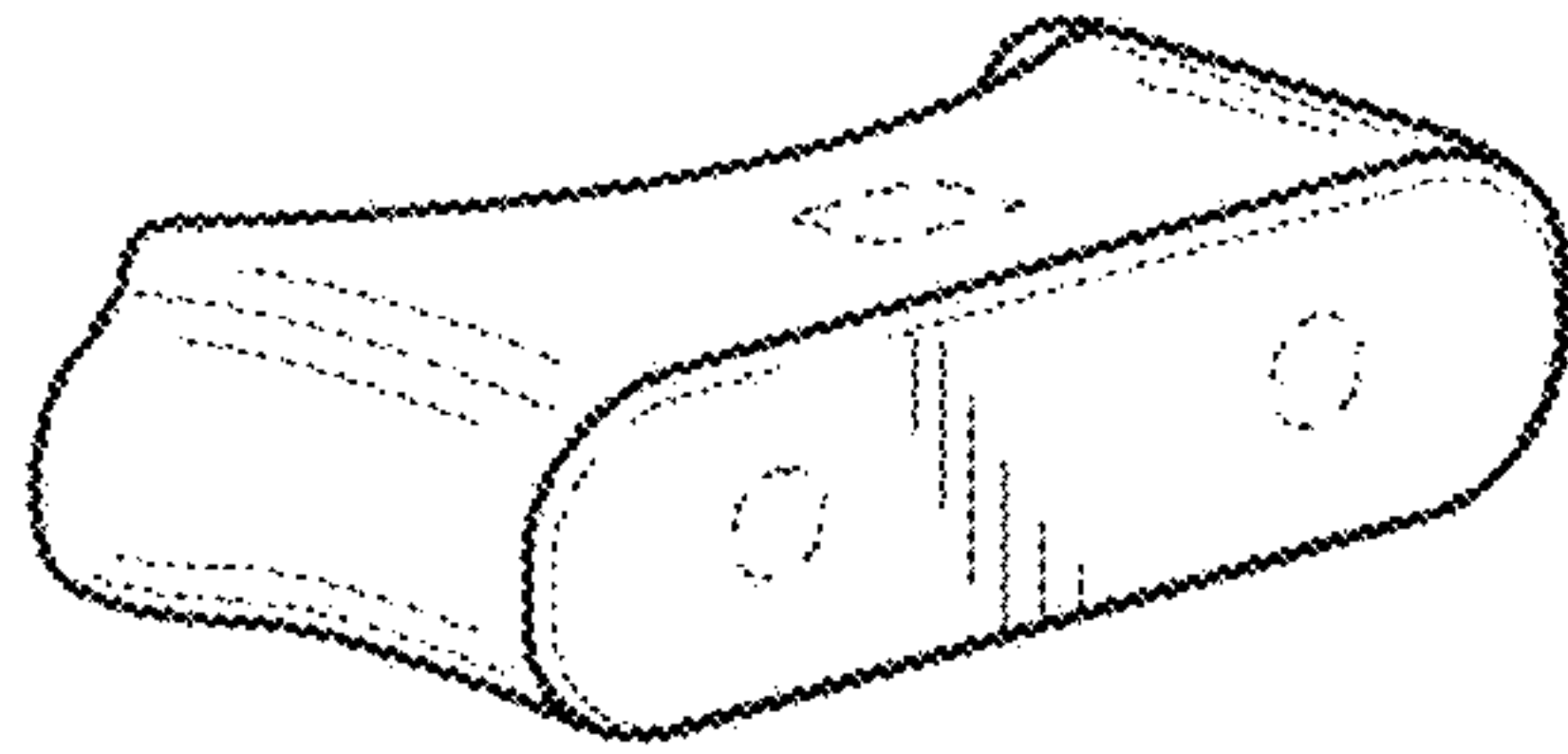


FIG. 1

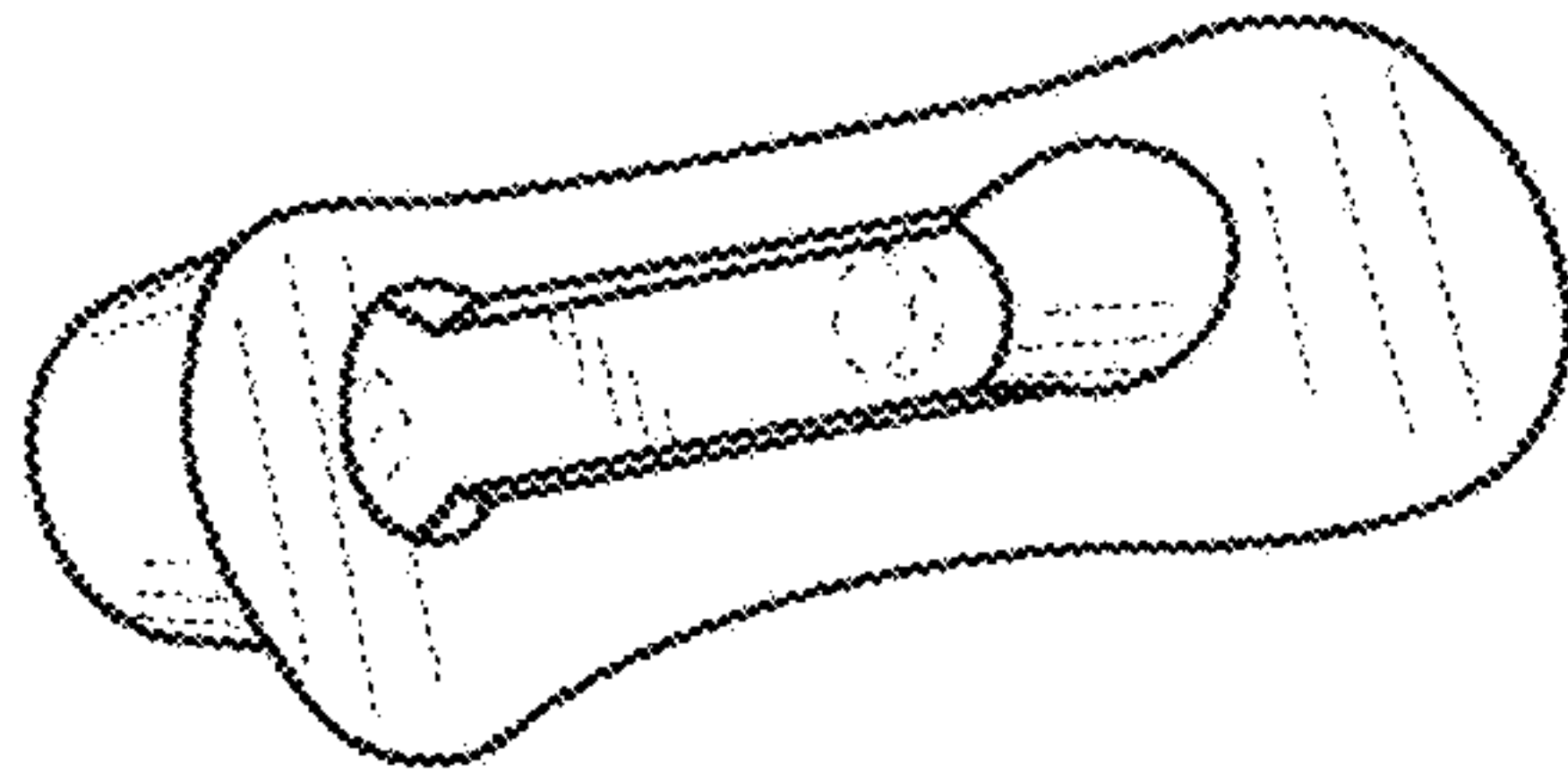


FIG. 2

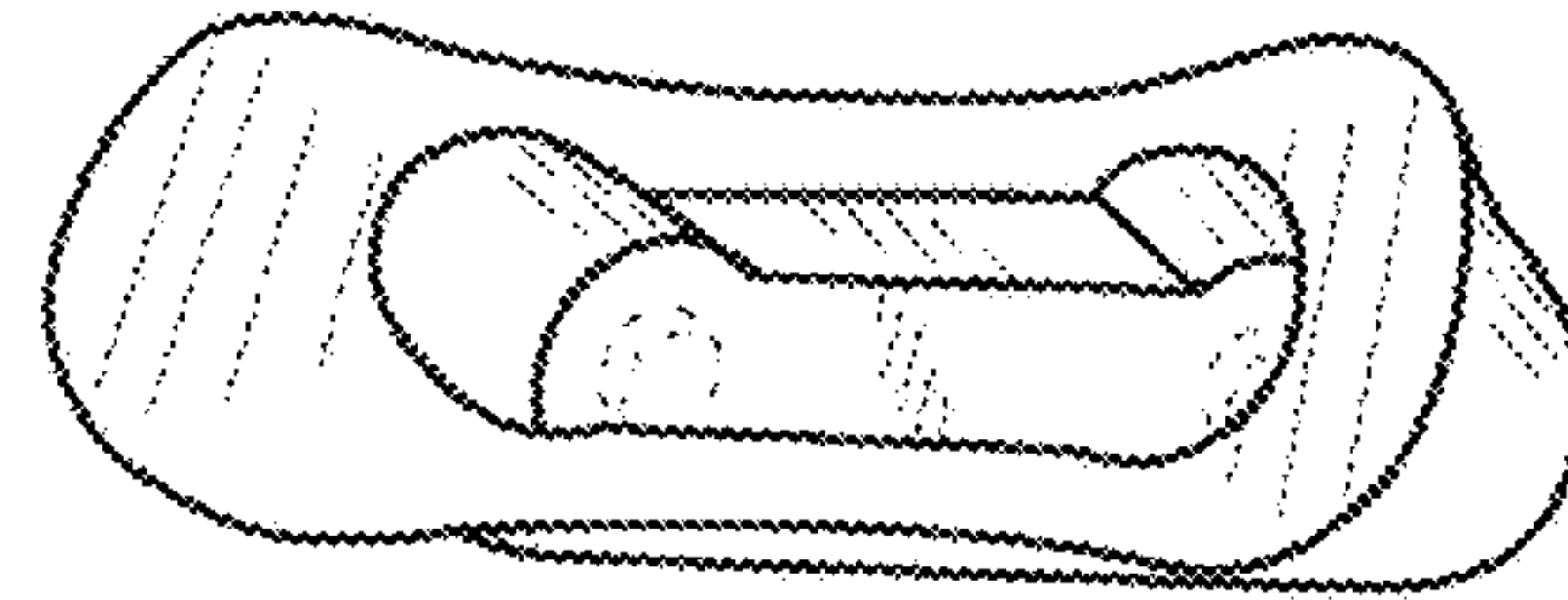


FIG. 3



FIG. 4

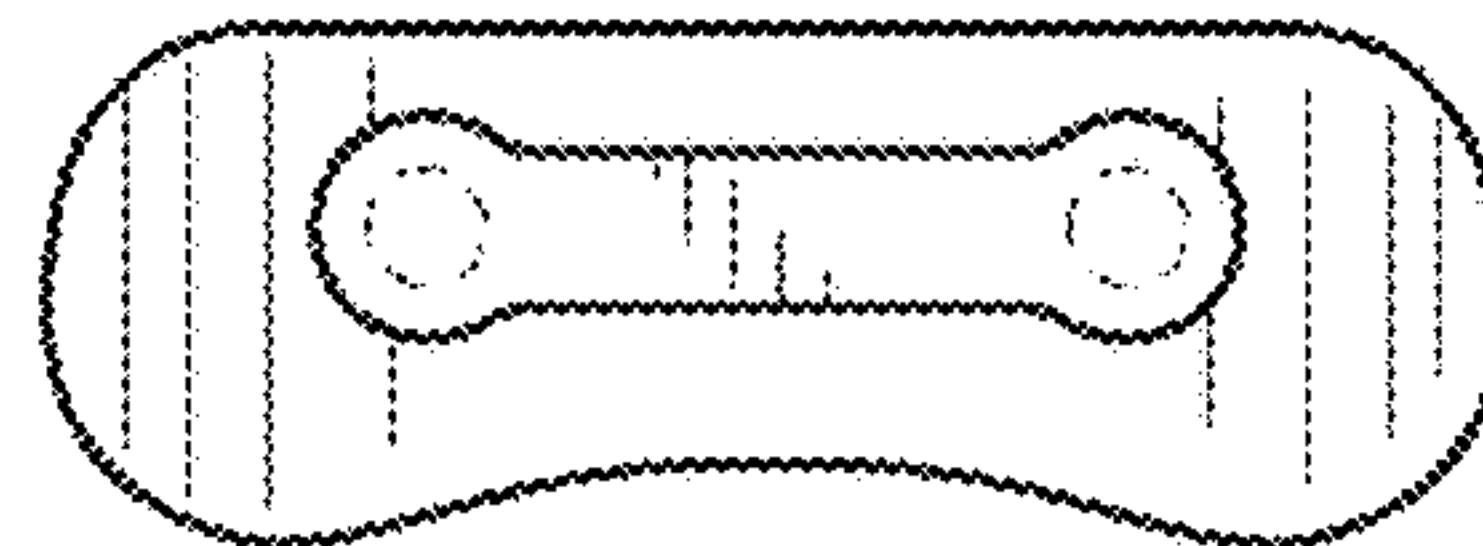


FIG. 5

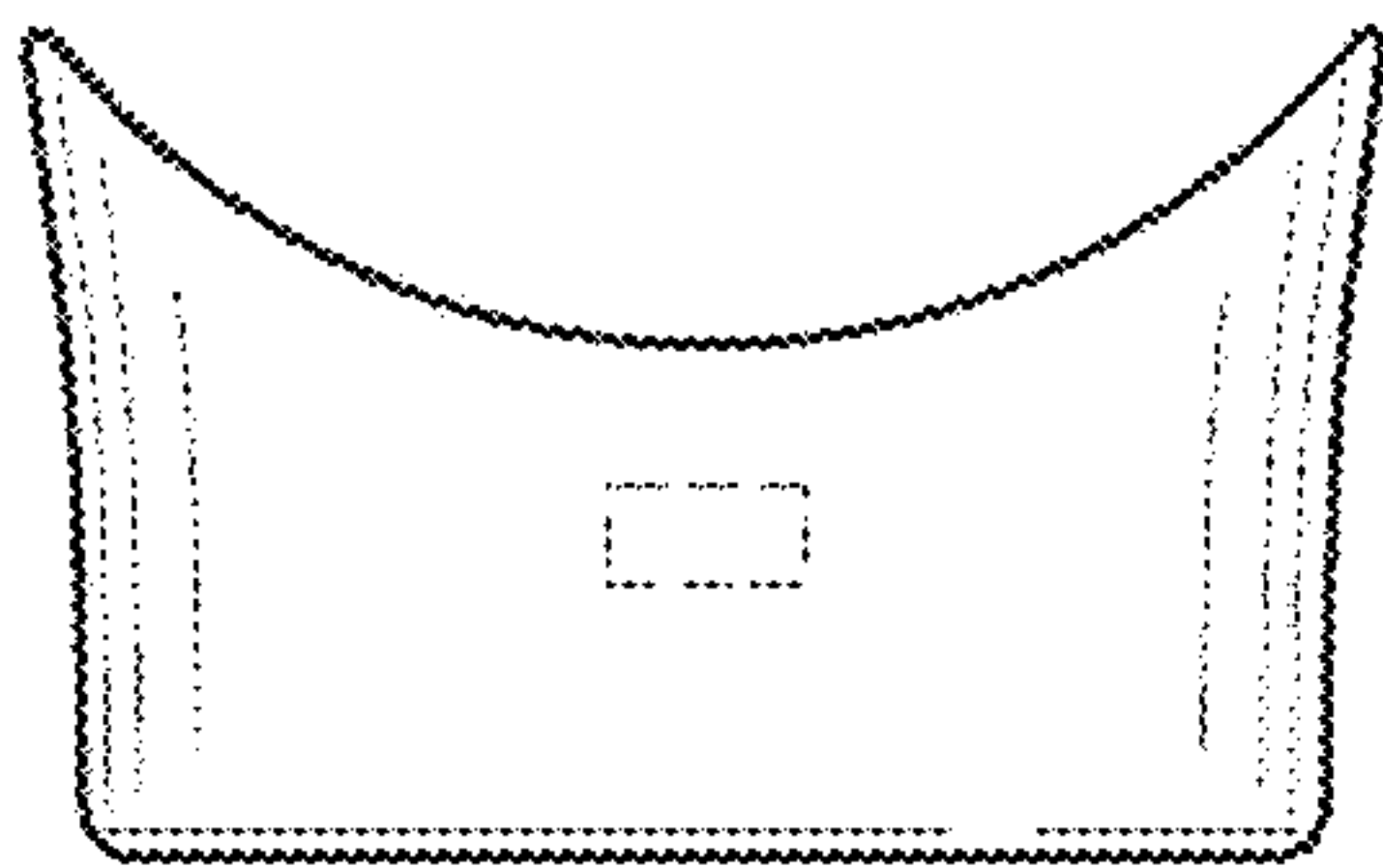


FIG. 6

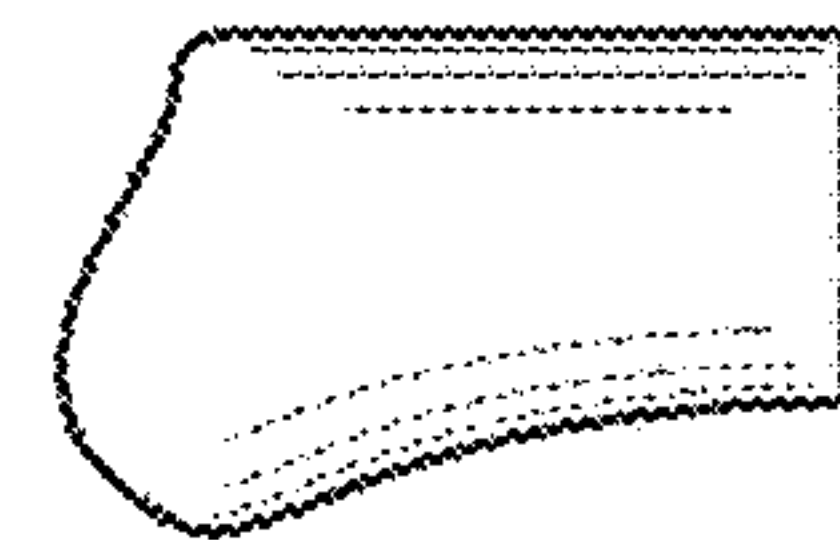


FIG. 8

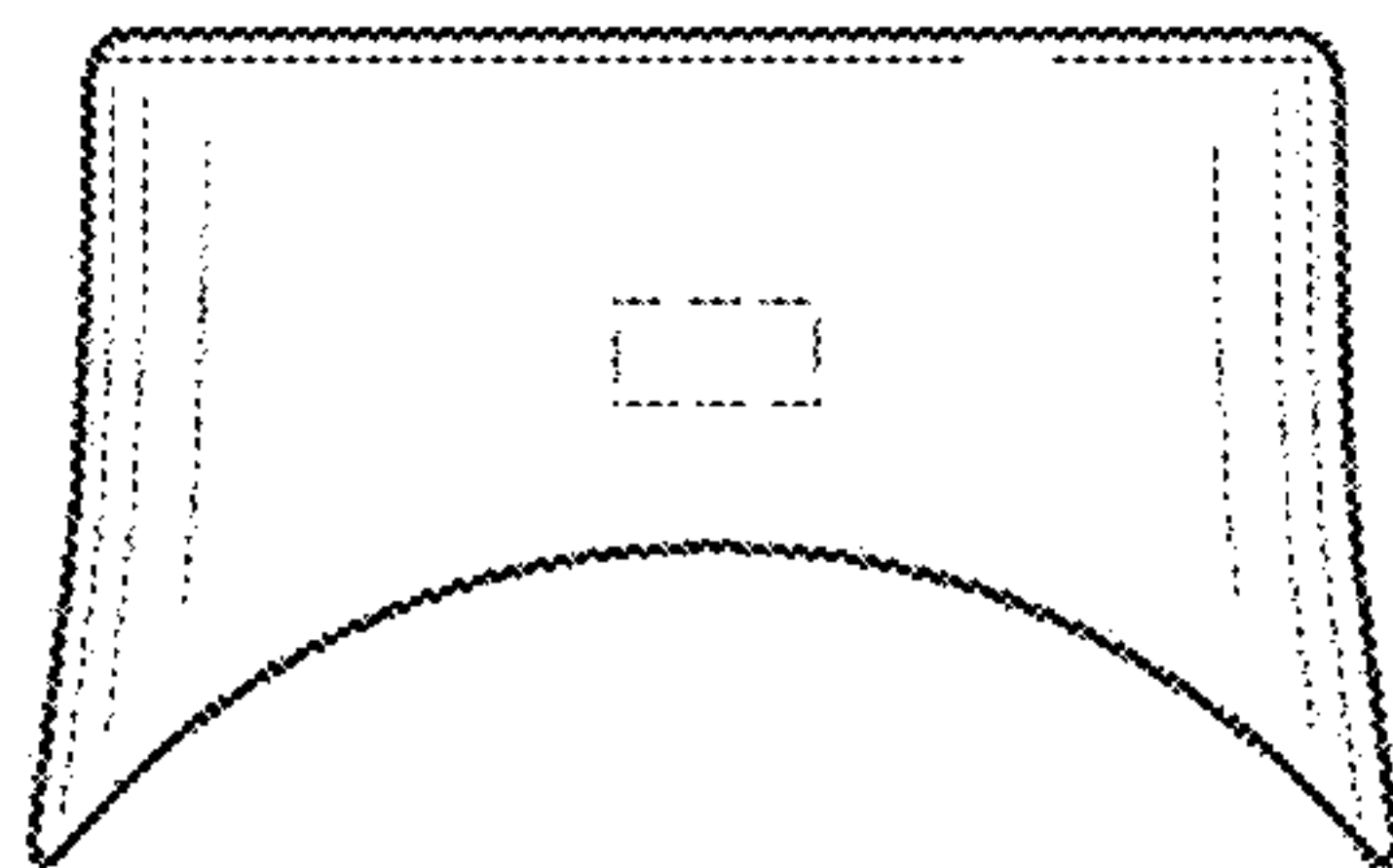


FIG. 7



FIG. 9

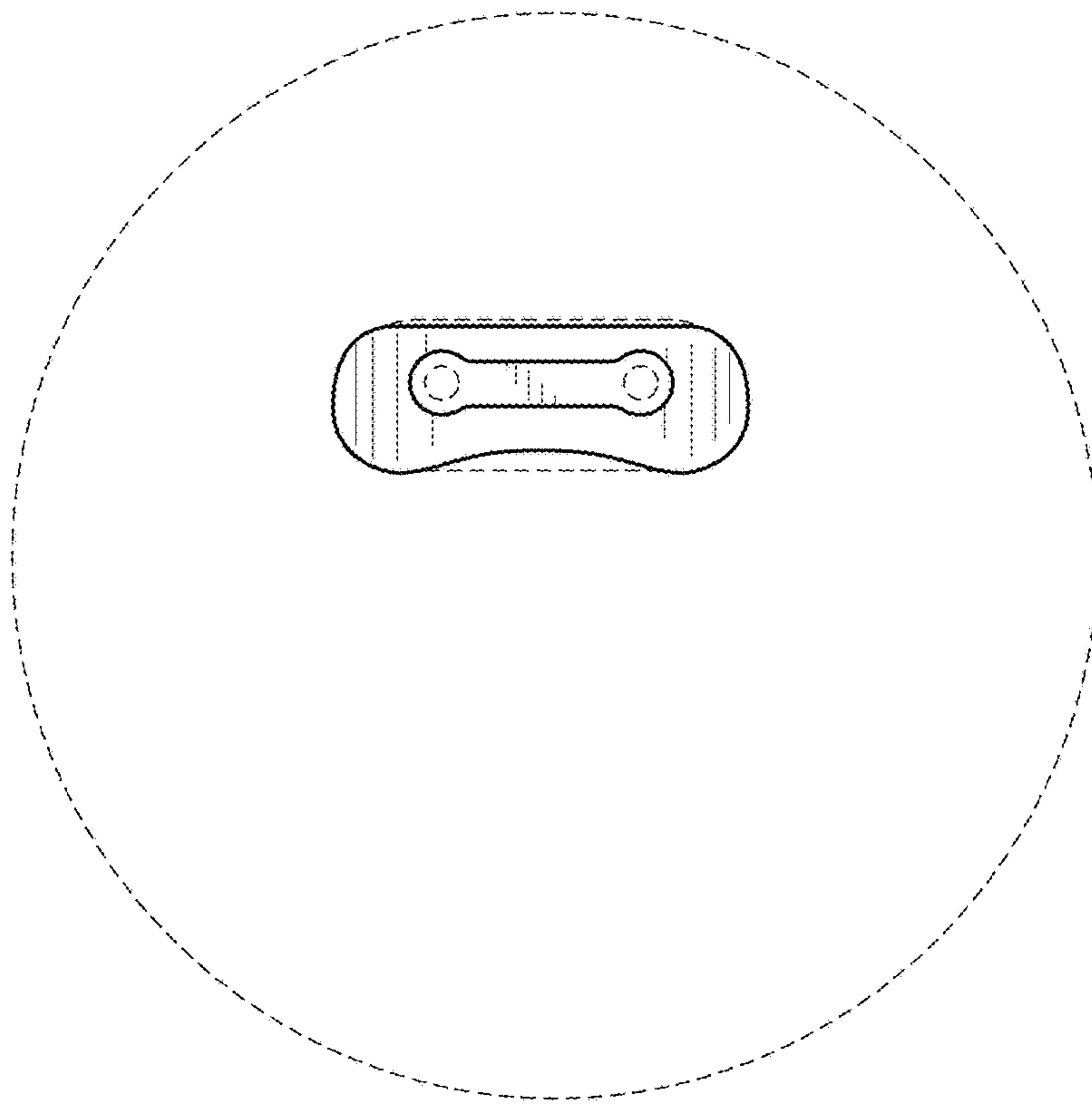


FIG. 10

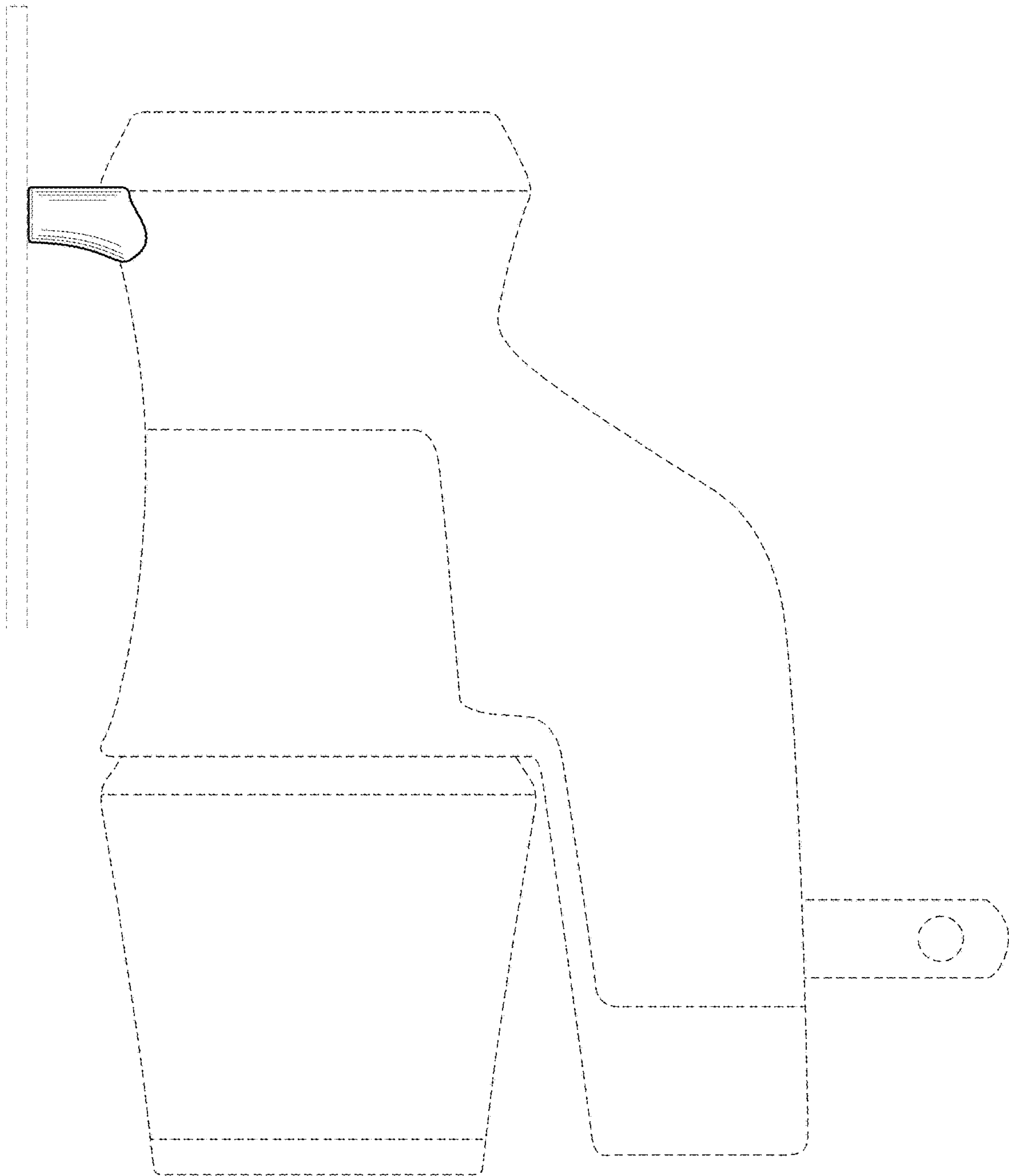


FIG. 11

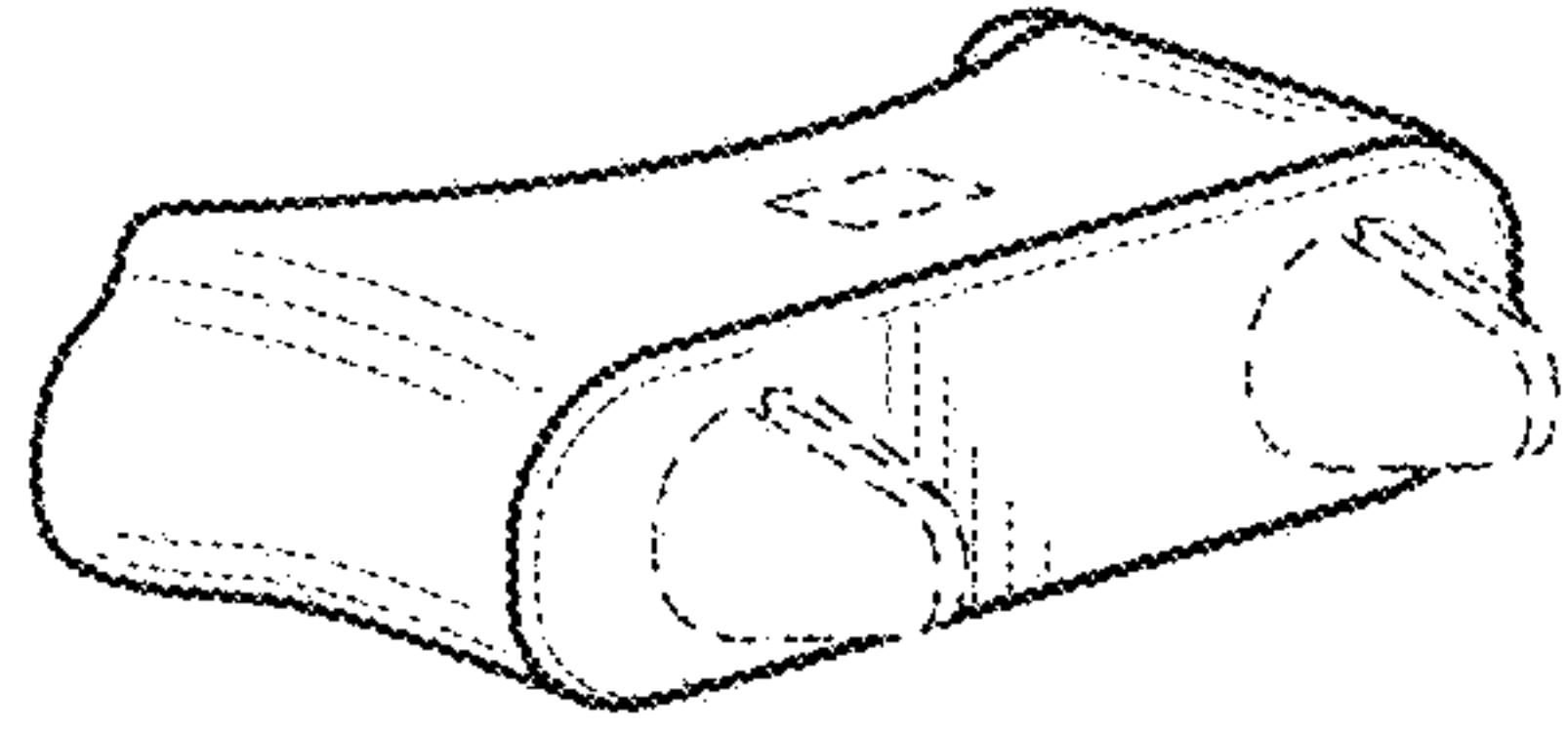


FIG. 12

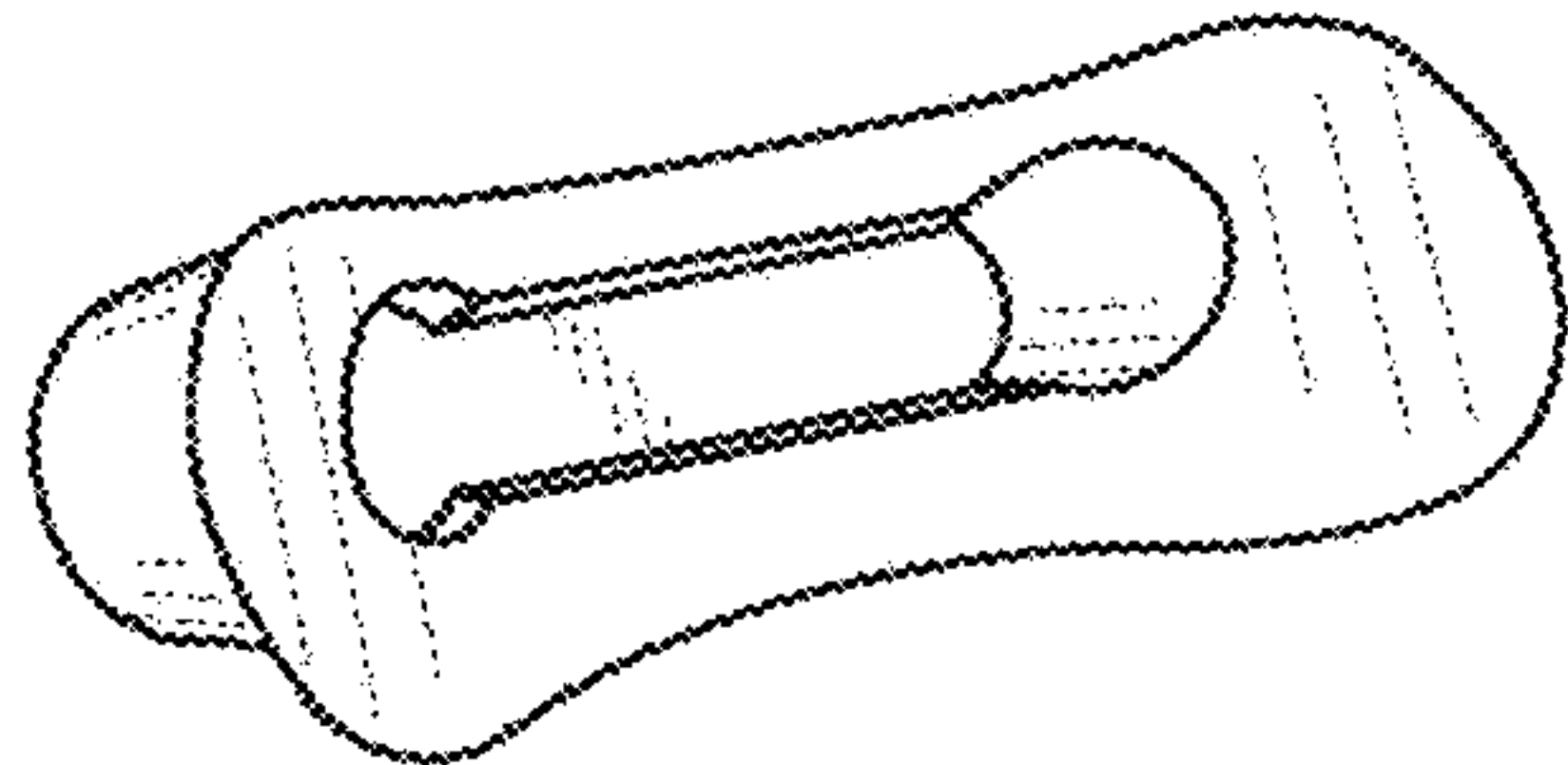


FIG. 13

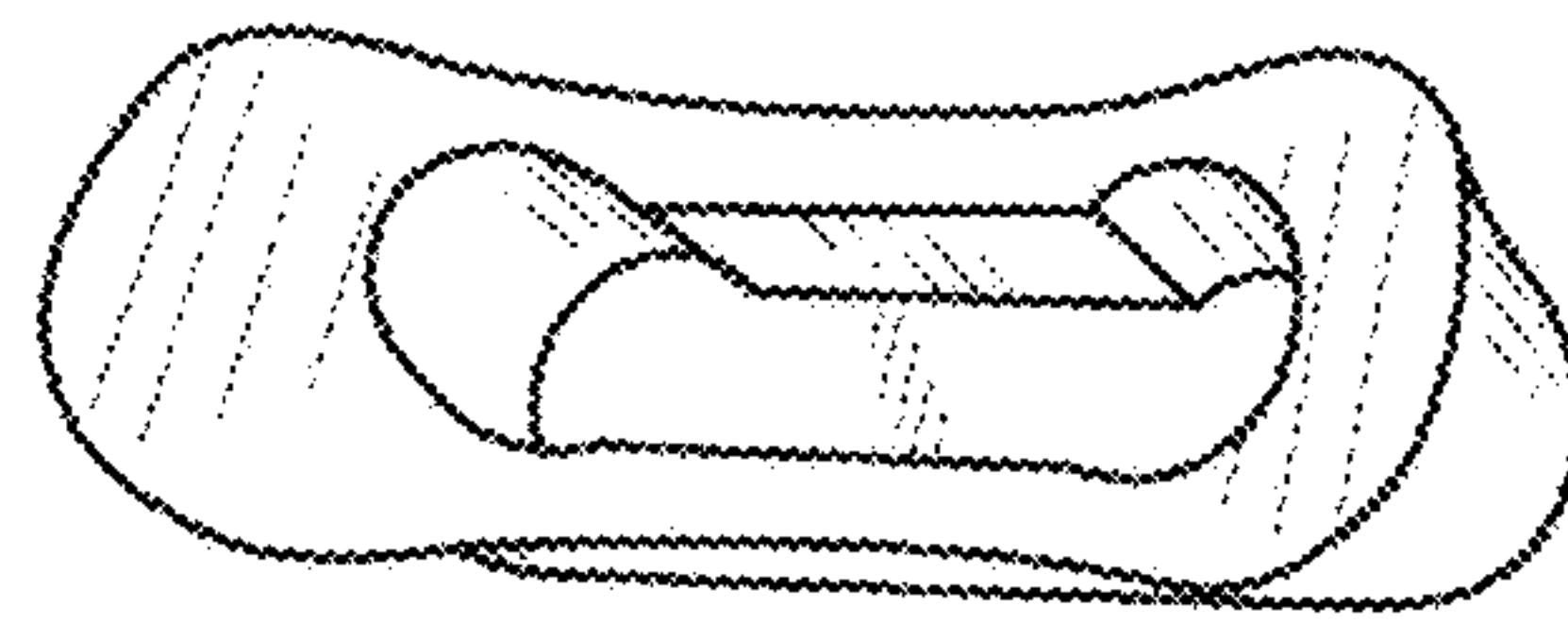


FIG. 14



FIG. 15

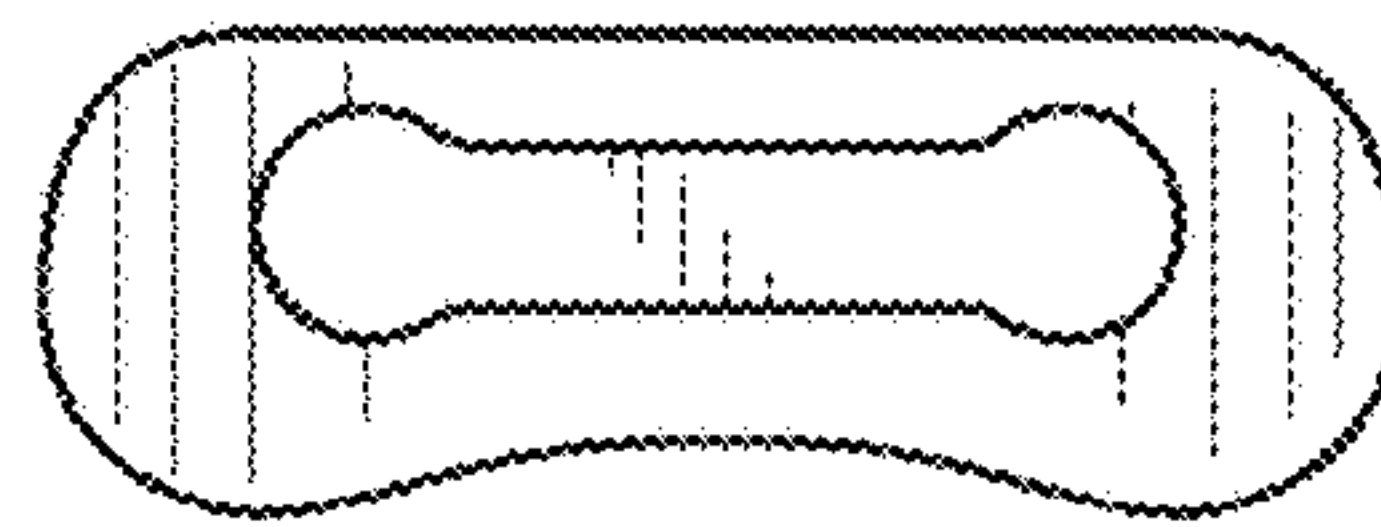


FIG. 16

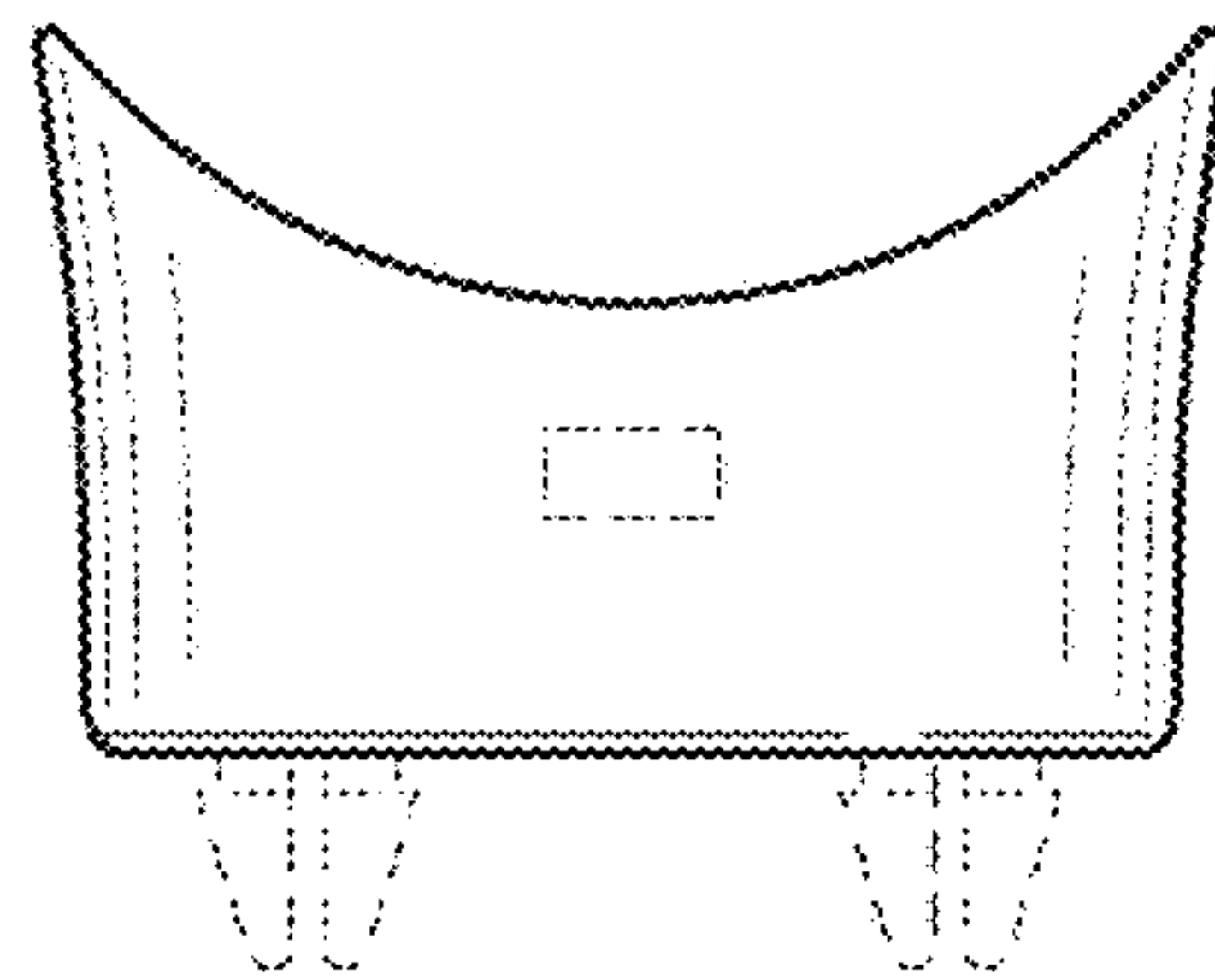


FIG. 17

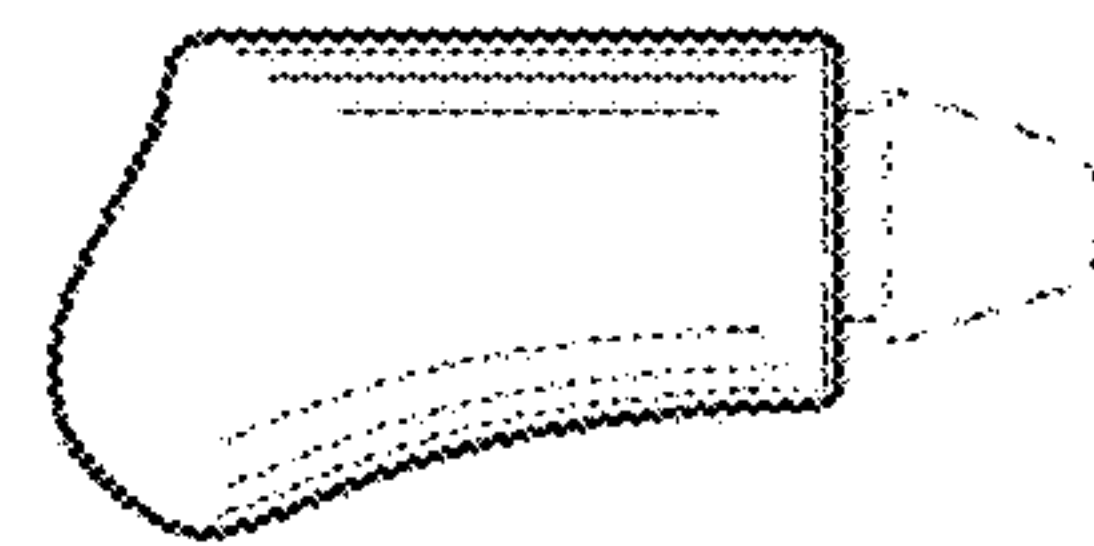


FIG. 19

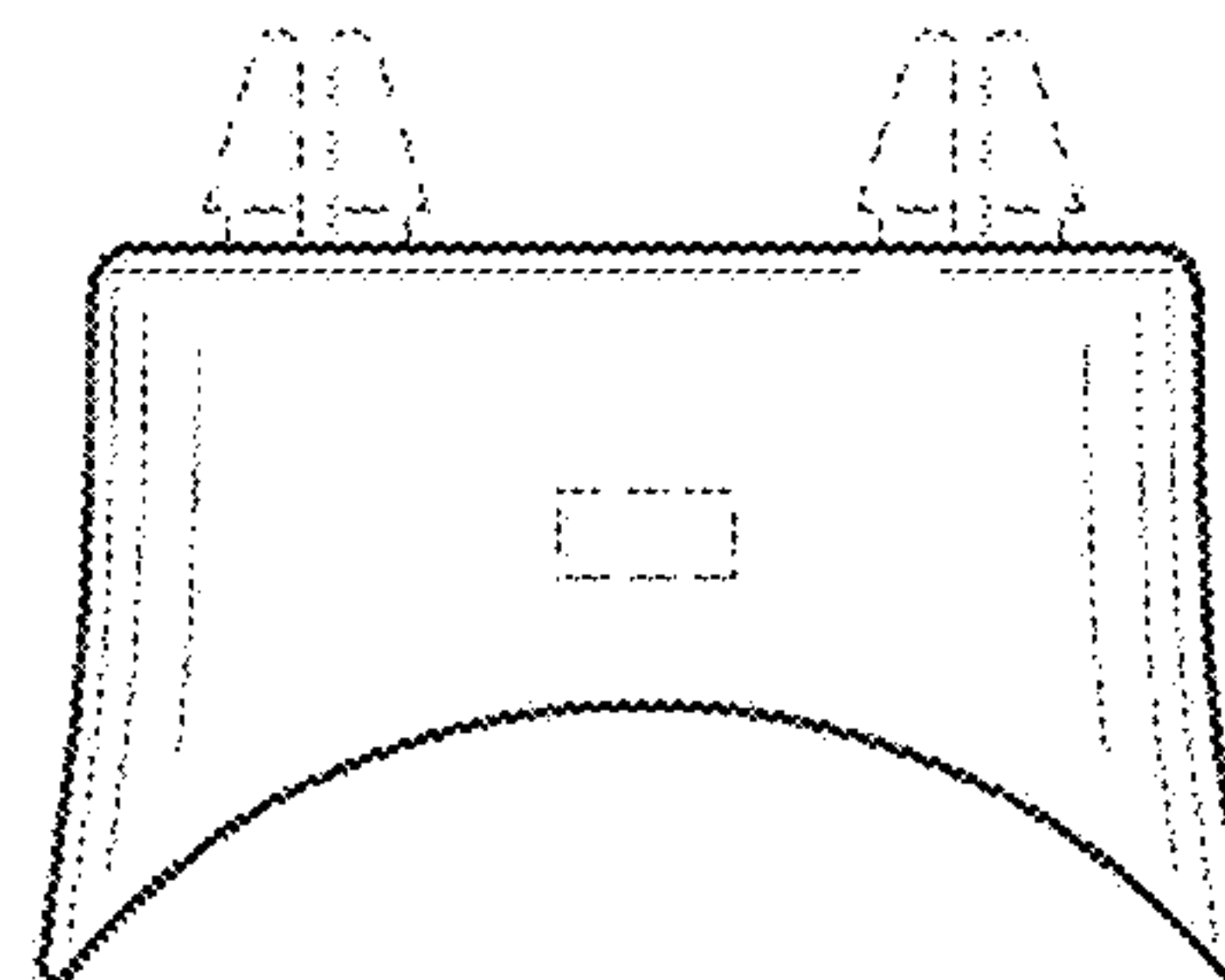


FIG. 18

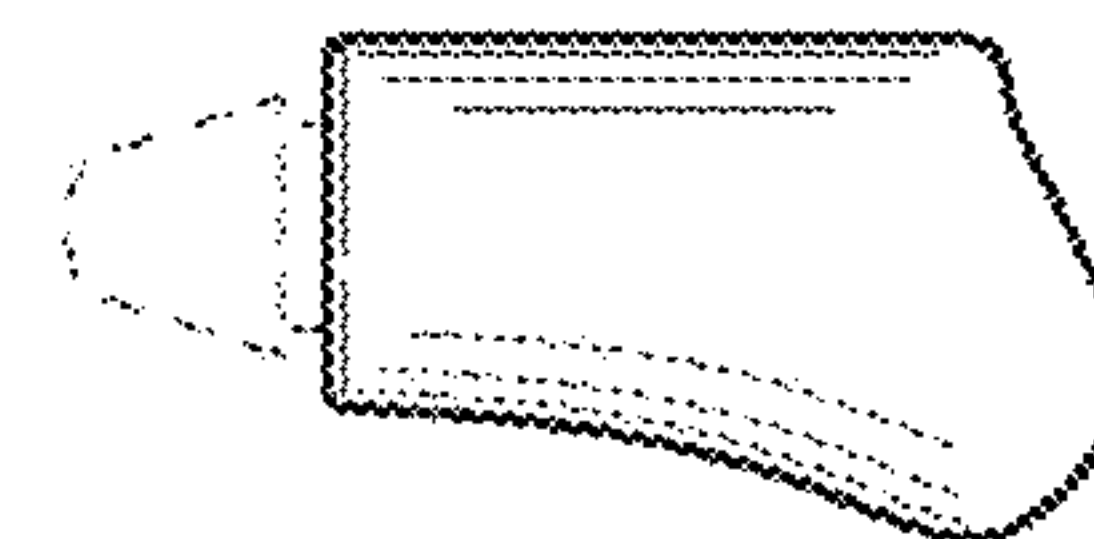


FIG. 20