



US00D835764S

(12) **United States Design Patent** (10) **Patent No.:** **US D835,764 S**  
**Farone et al.** (45) **Date of Patent:** **\*\* Dec. 11, 2018**

(54) **AIR PURIFIER**

D613,386 S \* 4/2010 Niki ..... D23/364  
D643,520 S \* 8/2011 Choi ..... D23/364  
D698,018 S \* 1/2014 Choi ..... D23/366

(Continued)

(71) Applicant: **Guardian Technologies LLC**, Euclid, OH (US)

FOREIGN PATENT DOCUMENTS

(72) Inventors: **Richard C. Farone**, Willoughby, OH (US); **Cynthia Caffoe**, Aurora, OH (US)

CN 201330189575 \* 1/2013  
CN 201430474513 \* 1/2014

(Continued)

(73) Assignee: **Guardian Technologies LLC**, Euclid, OH (US)

OTHER PUBLICATIONS

(\*\*) Term: **15 Years**

Alencorp.com, Alen BreatheSmart HEPA Air Purifier, online product page, earliest review 2013, retrieved Feb. 21, 2018 from <URL:https://www.alencorp.com/products/alen-breathesmart-hepa-air-purifier?variant=867058451> (Year: 2013).\*

(21) Appl. No.: **29/595,690**

(22) Filed: **Mar. 1, 2017**

*Primary Examiner* — Sheryl Lane

(51) **LOC (11) Cl.** ..... **23-04**

*Assistant Examiner* — Calvin E Vansant

(52) **U.S. Cl.**  
USPC ..... **D23/364**

(74) *Attorney, Agent, or Firm* — Calfee, Halter & Griswold LLP

(58) **Field of Classification Search**  
USPC ..... D23/208, 355–369; D9/500, 503–505; D14/212–213

(57) **CLAIM**

The ornamental design for an air purifier, as shown and described.

CPC ..... A61L 9/02; A61L 9/03; A61L 9/12; A61L 9/035; A61L 9/125

**DESCRIPTION**

See application file for complete search history.

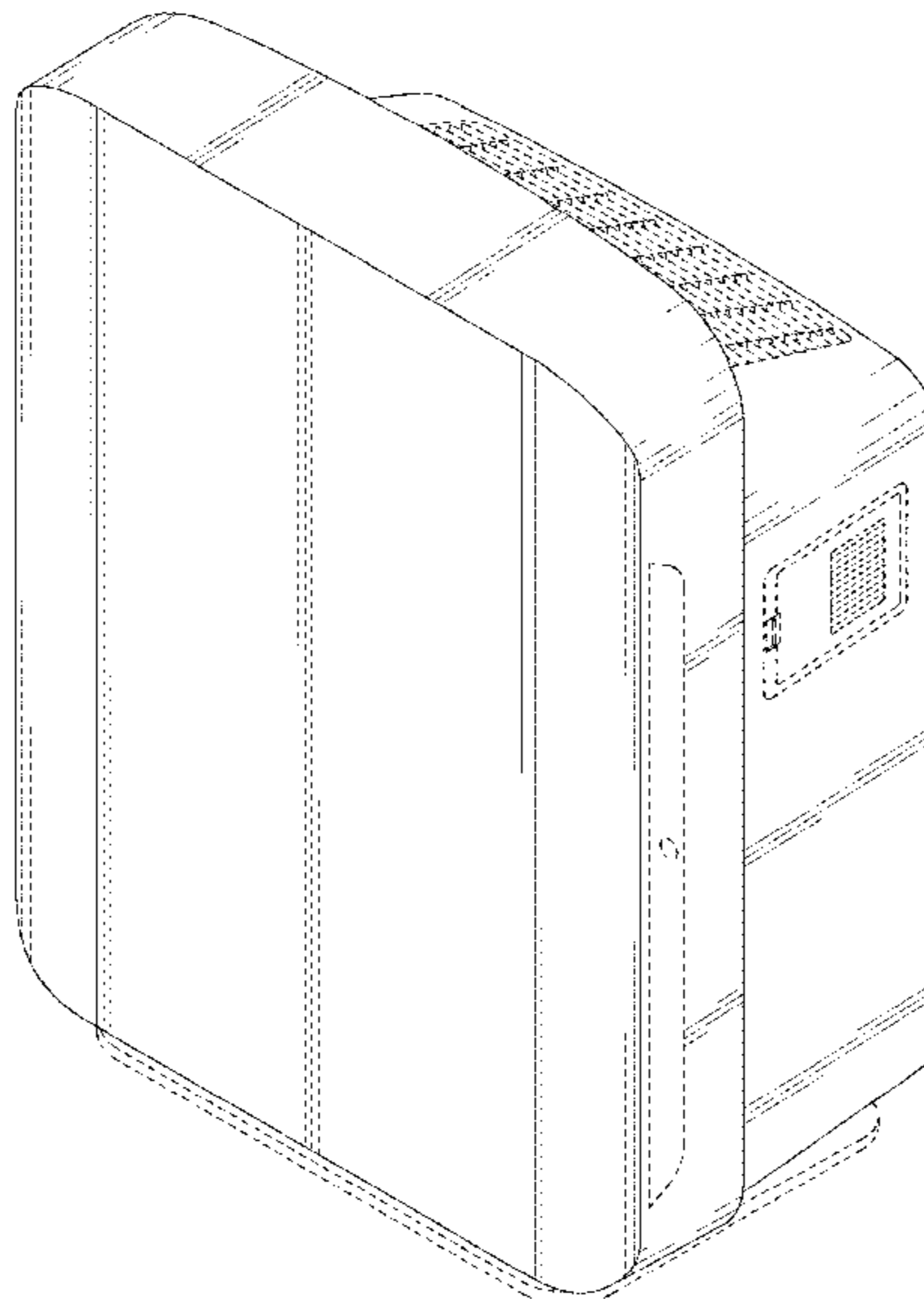
FIG. 1 is a perspective view of an air purifier of the new design;  
FIG. 2 is a front elevational view of the air purifier of FIG. 1;  
FIG. 3 is a right side elevational view of the air purifier of FIG. 1;  
FIG. 4 is back elevational view of the air purifier of FIG. 1;  
FIG. 5 is a left side elevational view of the air purifier of FIG. 1;  
FIG. 6 is a top plan view of the air purifier of FIG. 1; and, FIG. 7 is bottom view of the air purifier of FIG. 1.  
The broken lines depict portions of the air purifier that form no part of the claim.

(56) **References Cited**

U.S. PATENT DOCUMENTS

D338,522 S \* 8/1993 Muderlak ..... D23/366  
D481,786 S \* 11/2003 Tokunaga ..... D23/364  
D550,343 S \* 9/2007 Chen ..... D23/364  
D550,826 S \* 9/2007 Murai ..... D23/364  
D578,632 S \* 10/2008 Chen ..... D23/364  
D586,451 S \* 2/2009 Murai ..... D23/364  
D597,643 S \* 8/2009 Chen ..... D23/364  
D599,456 S \* 9/2009 Choi ..... D23/364  
D603,496 S \* 11/2009 Murai ..... D23/364  
D605,272 S \* 12/2009 Chun ..... D23/359  
D608,433 S \* 1/2010 Murai ..... D23/364

**1 Claim, 4 Drawing Sheets**



(56)

**References Cited**

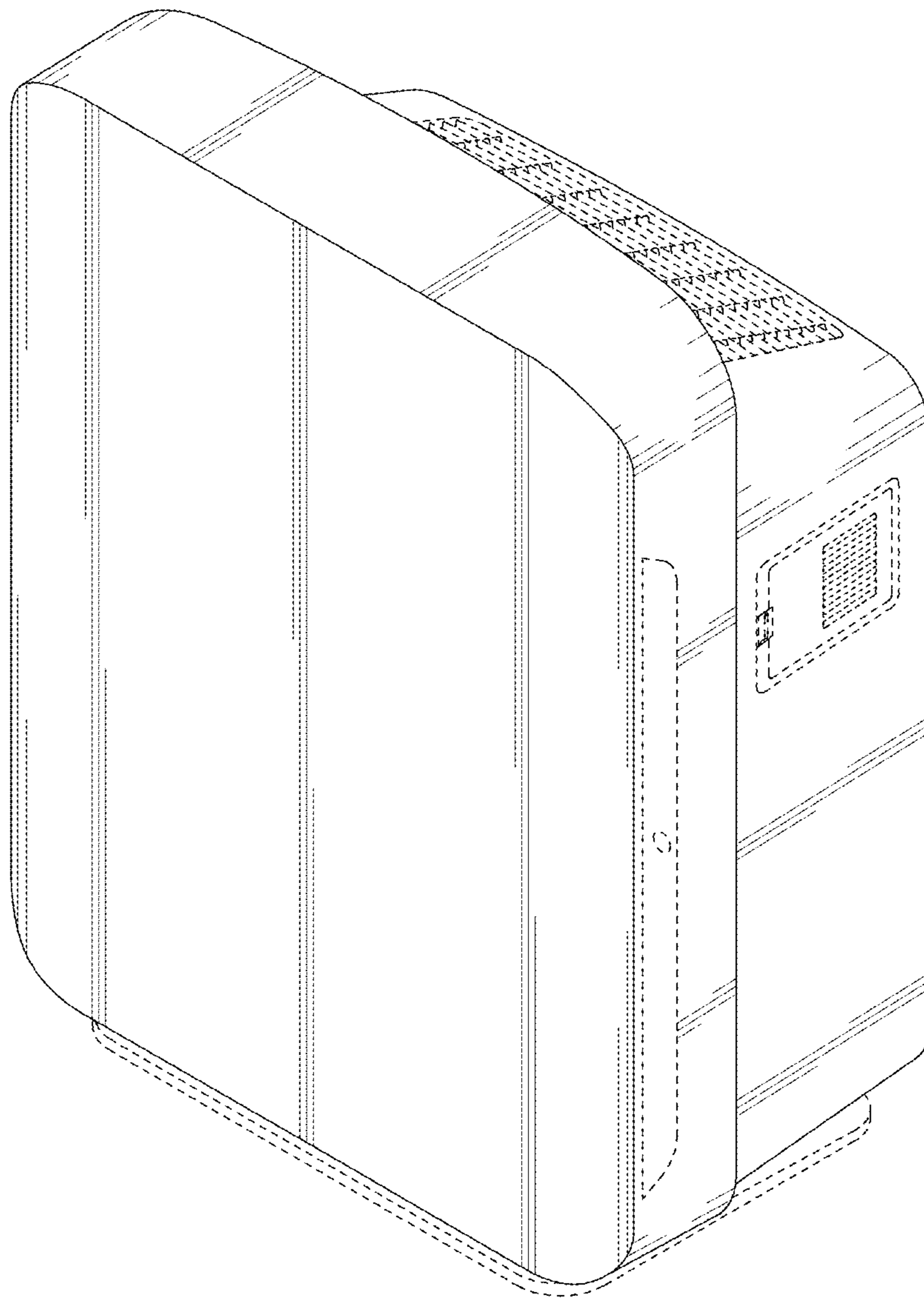
U.S. PATENT DOCUMENTS

D722,152 S \* 2/2015 Hu ..... D23/356  
D731,633 S \* 6/2015 Farone ..... D23/364  
D735,845 S \* 8/2015 Huang ..... D23/359  
D799,015 S \* 10/2017 Tang ..... D23/364

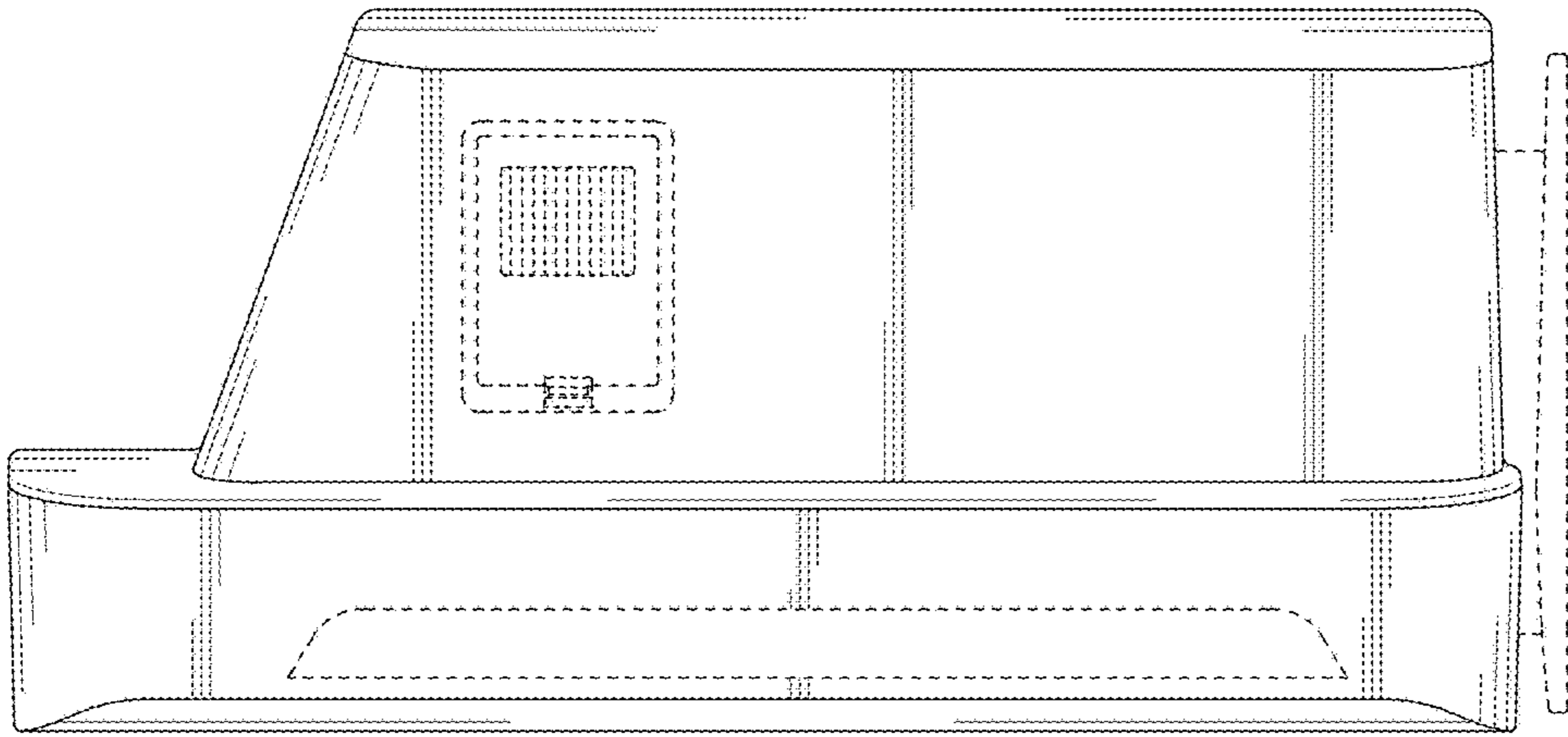
FOREIGN PATENT DOCUMENTS

CN 201430265537 \* 7/2014  
CN 201430337256 \* 9/2014  
CN 201530482078 \* 11/2016  
CN 201630120226 \* 2/2017  
CN 201730062327 \* 7/2017  
JP 2008012059 A \* 1/2008 ..... A61L 9/014  
WO WO 2008 004411 \* 1/2008 ..... A61L 9/014

\* cited by examiner



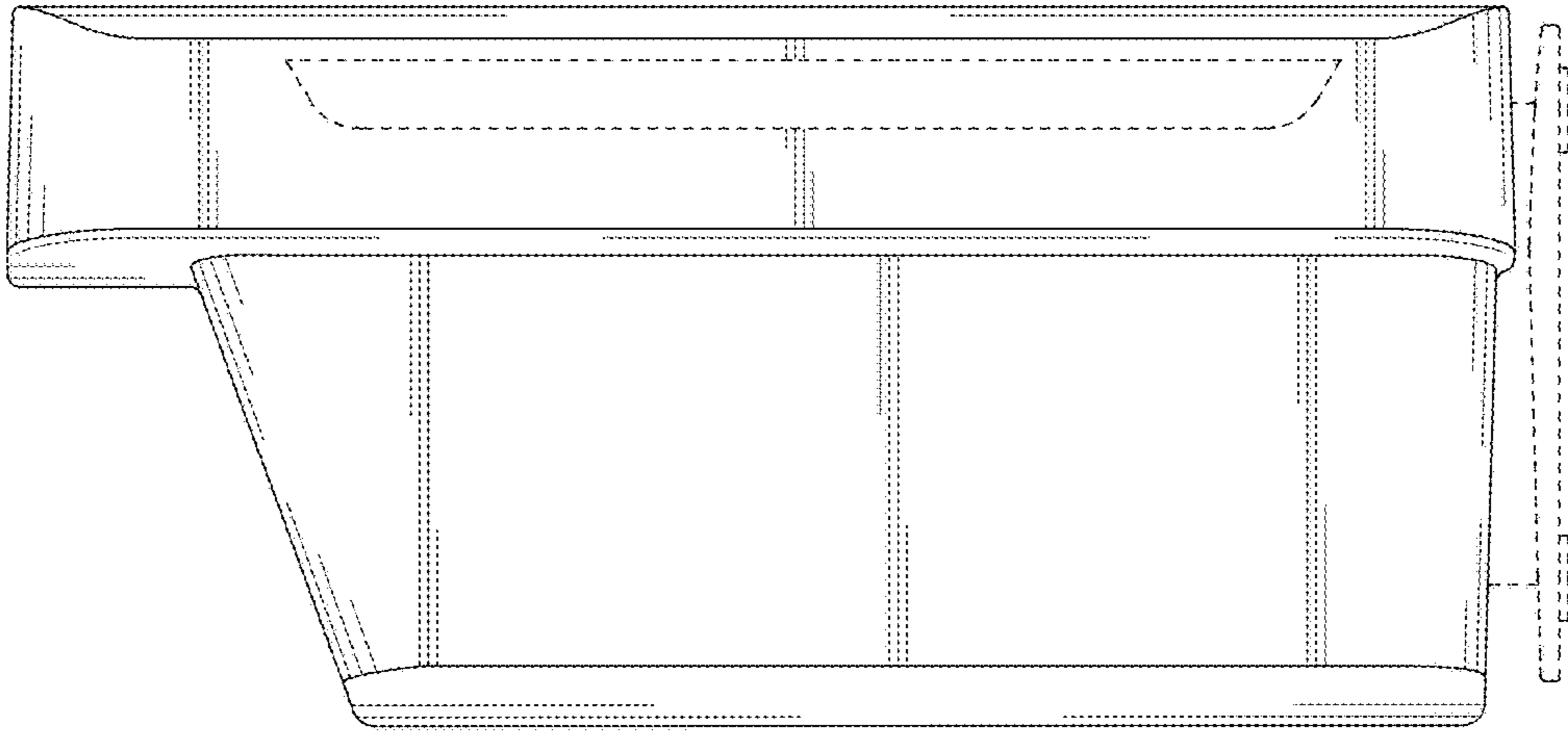
**FIG. 1**



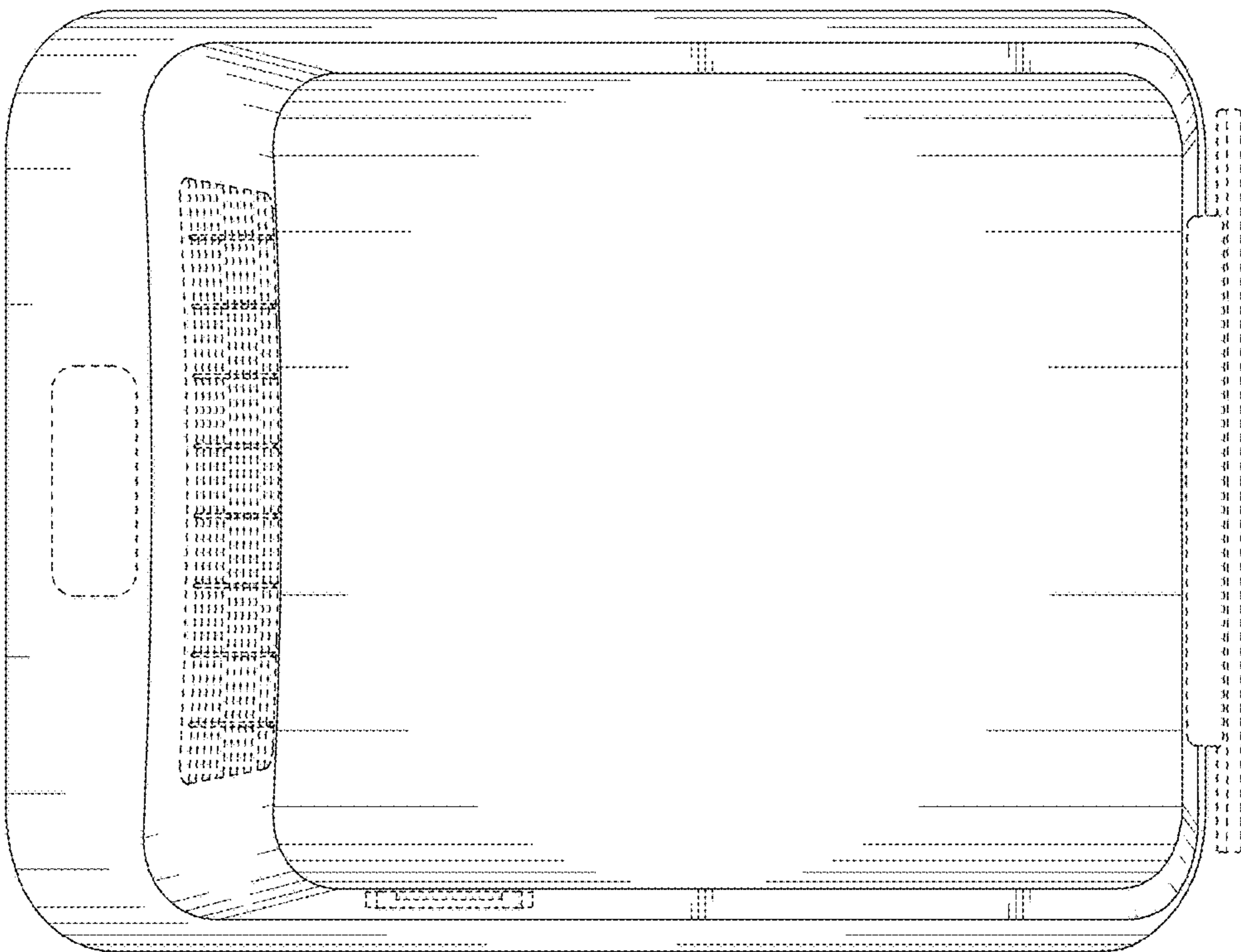
**FIG. 3**



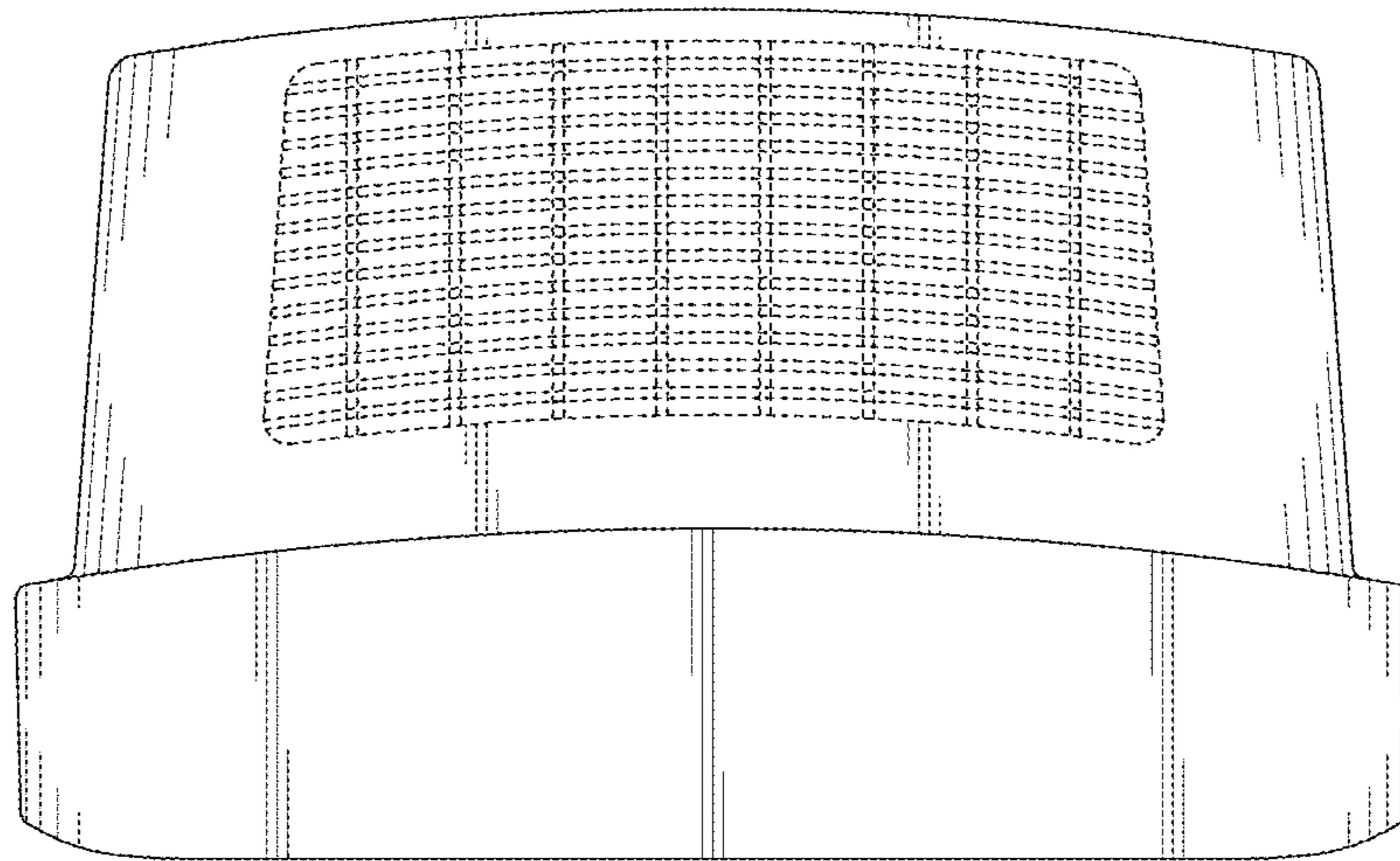
**FIG. 2**



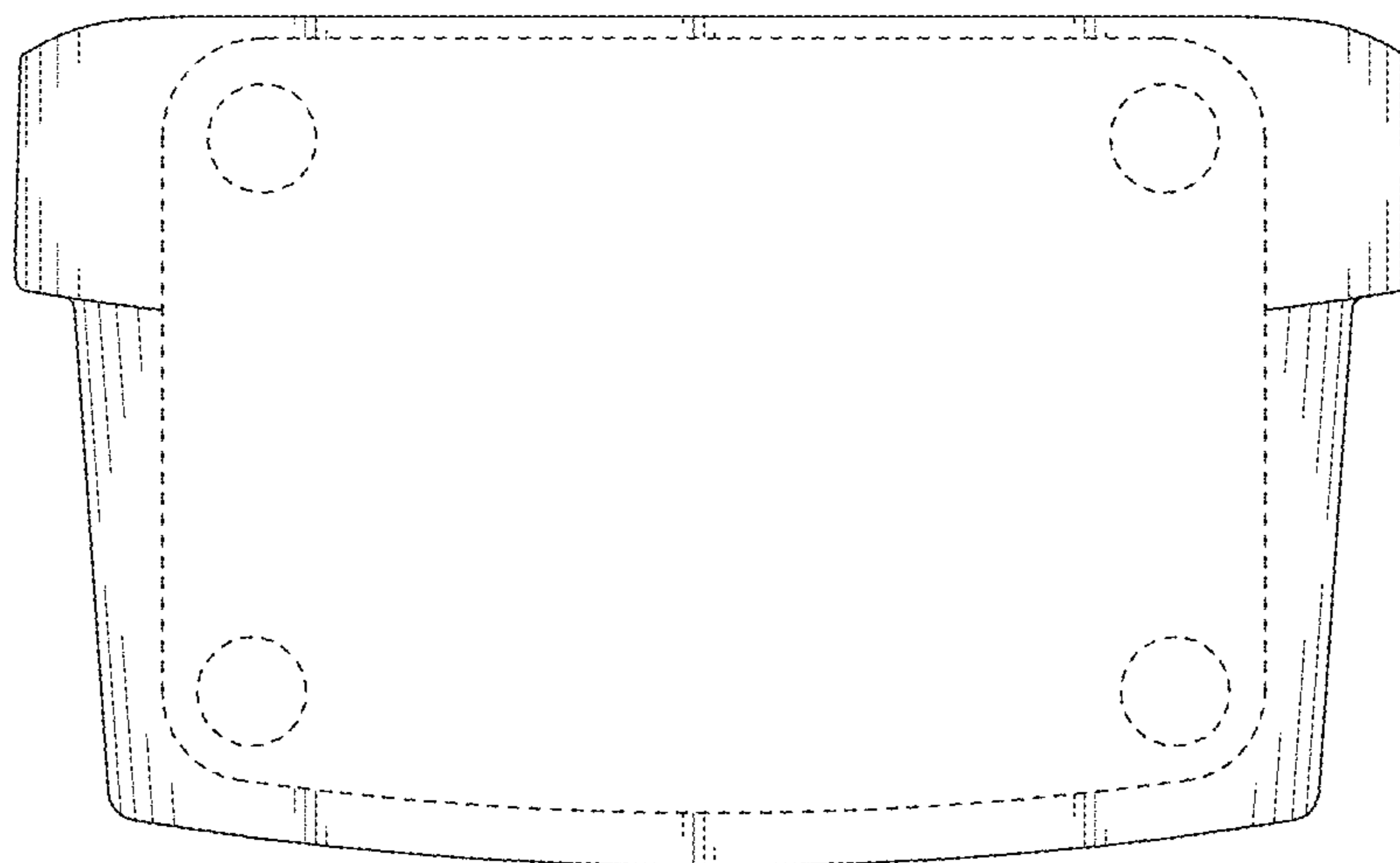
**FIG. 5**



**FIG. 4**



**FIG. 6**



**FIG. 7**