



US00D835762S

(12) **United States Design Patent**
Levi

(10) **Patent No.:** **US D835,762 S**
(45) **Date of Patent:** **** Dec. 11, 2018**

(54) **SINK**

DESCRIPTION

(71) Applicant: **ICG Licensing LLC**, Port Washington, NY (US)

(72) Inventor: **Russell Levi**, Greenvale, NY (US)

(73) Assignee: **ICG LICENSING LLC**, Port Washington, NY (US)

(**) Term: **15 Years**

(21) Appl. No.: **29/610,581**

(22) Filed: **Jul. 13, 2017**

(51) **LOC (11) Cl.** **23-02**

(52) **U.S. Cl.**
USPC **D23/290; D23/284**

(58) **Field of Classification Search**
USPC D23/284, 293.1, 303, 308, 290, 286
CPC E03C 1/18
See application file for complete search history.

(56) **References Cited**

U.S. PATENT DOCUMENTS

6,154,895 A *	12/2000	Pisklak	E03C 1/18
				4/584
D497,662 S *	10/2004	Gross	D23/284
D546,926 S *	7/2007	Schneider	D23/290
D547,841 S *	7/2007	Ziemann	D23/293.1
D554,241 S *	10/2007	Ziemann	D23/293.1
D796,651 S *	9/2017	Ziemann	D23/293.1
D826,385 S *	8/2018	Ziemann	D23/293.1

* cited by examiner

Primary Examiner — Robert A Delehanty

(74) *Attorney, Agent, or Firm* — Carter, DeLuca, Farrell & Schmidt, LLP

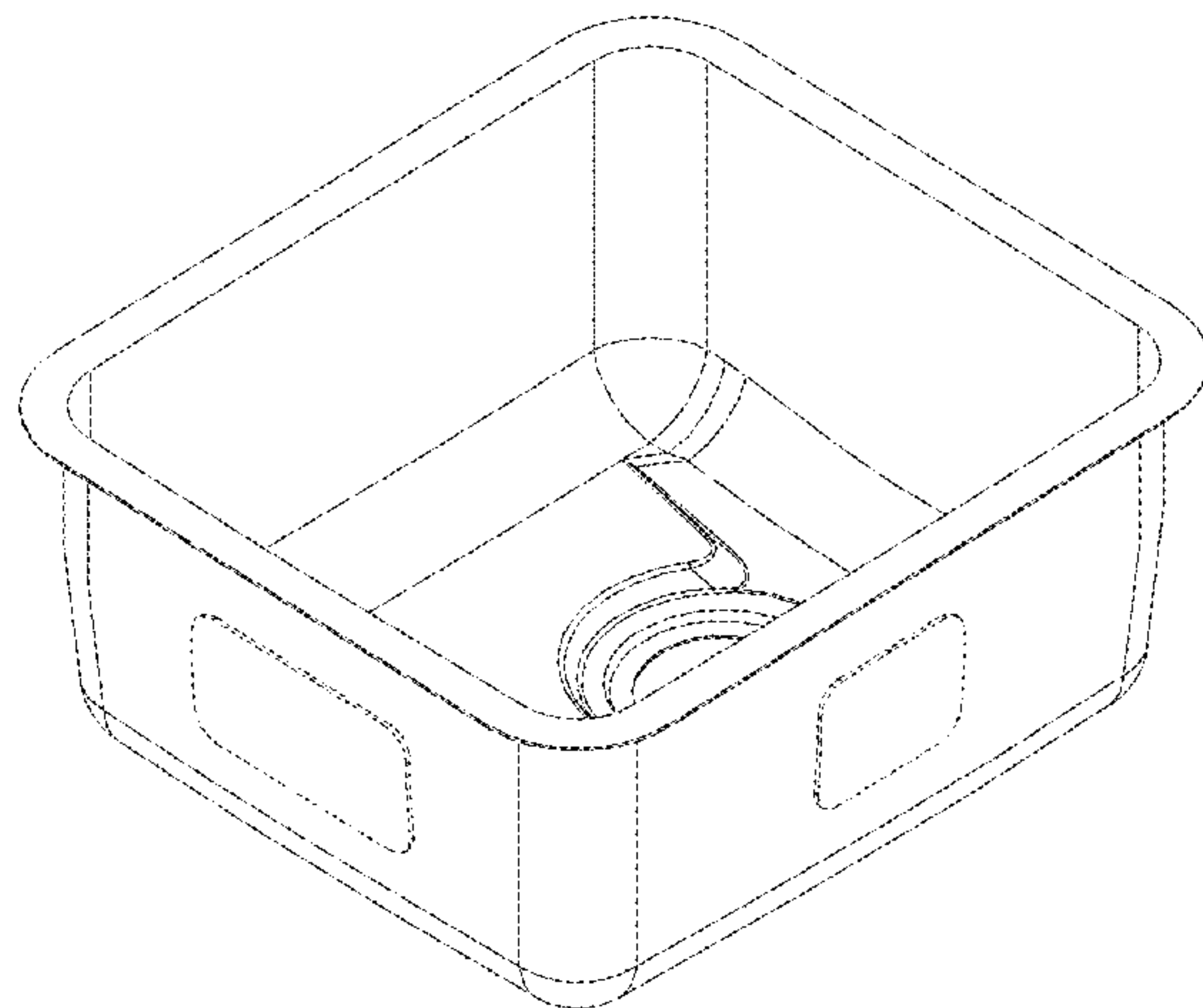
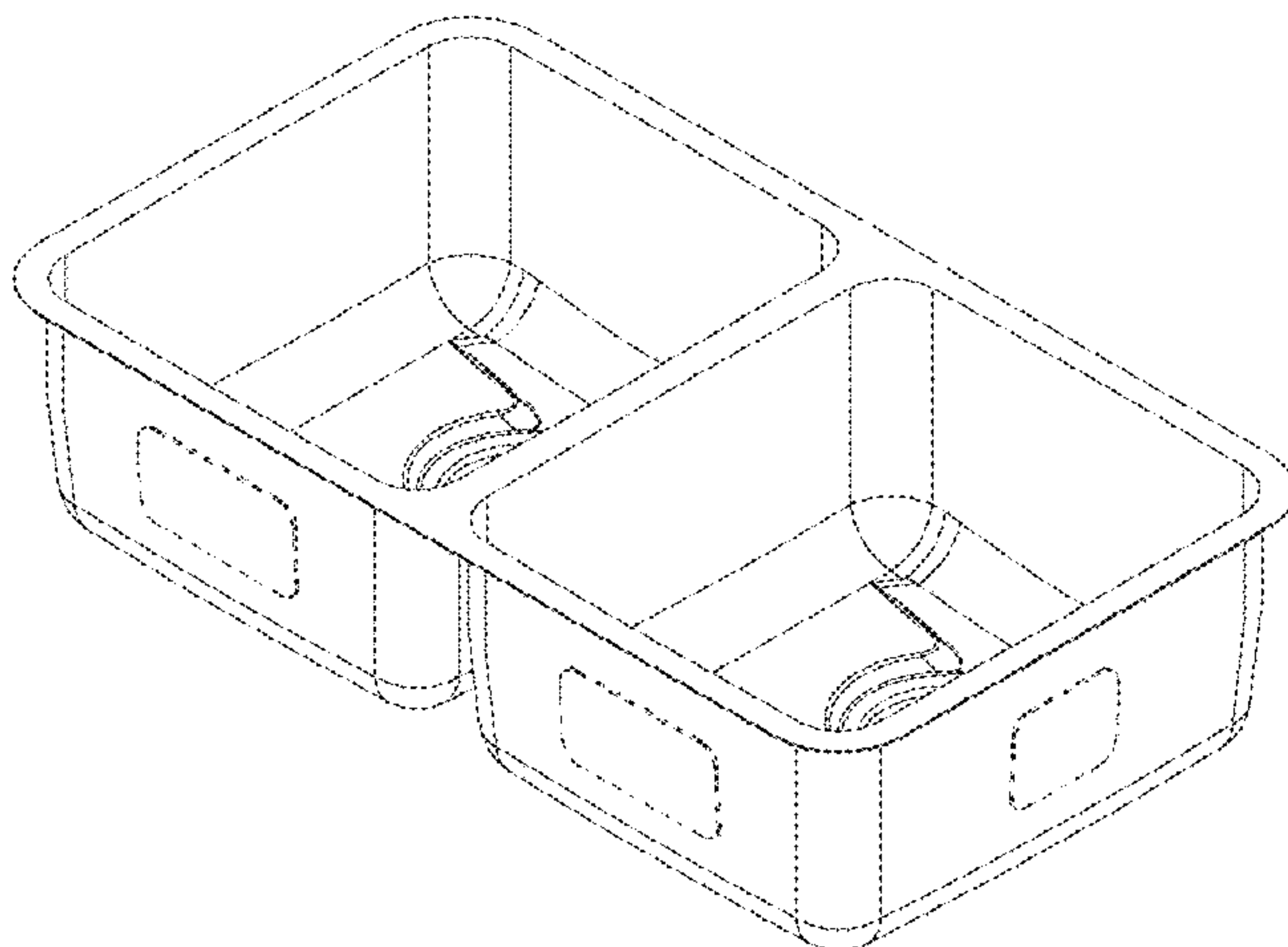
(57) **CLAIM**

The ornamental design for a sink, as shown and described.

FIG. 1 is a front perspective view of a sink in accordance with the present design;
 FIG. 2 is a front elevational view thereof;
 FIG. 3 is a rear elevational view thereof;
 FIG. 4 is a right side elevational view thereof;
 FIG. 5 is a left side elevational thereof;
 FIG. 6 is a top plan view thereof;
 FIG. 7 is a bottom plan view thereof;
 FIG. 8 is a front perspective view an alternative embodiment in accordance with the present design;
 FIG. 9 is a front elevational view thereof;
 FIG. 10 is a rear elevational view thereof;
 FIG. 11 is a right side elevational view thereof;
 FIG. 12 is a left side elevational thereof;
 FIG. 13 is a top plan view thereof;
 FIG. 14 is a bottom plan view thereof;
 FIG. 15 is a front perspective view an alternative embodiment in accordance with the present design;
 FIG. 16 is a front elevational view thereof;
 FIG. 17 is a rear elevational view thereof;
 FIG. 18 is a right side elevational view thereof;
 FIG. 19 is a left side elevational thereof;
 FIG. 20 is a top plan view thereof;
 FIG. 21 is a bottom plan view thereof;
 FIG. 22 is a front perspective view an alternative embodiment in accordance with the present design;
 FIG. 23 is a front elevational view thereof;
 FIG. 24 is a rear elevational view thereof;
 FIG. 25 is a right side elevational view thereof;
 FIG. 26 is a left side elevational thereof;
 FIG. 27 is a top plan view thereof; and,
 FIG. 28 is a bottom plan view thereof.

The broken lines shown are included for the purpose of illustrating a portion of the sink that form no part of the claimed design.

1 Claim, 28 Drawing Sheets



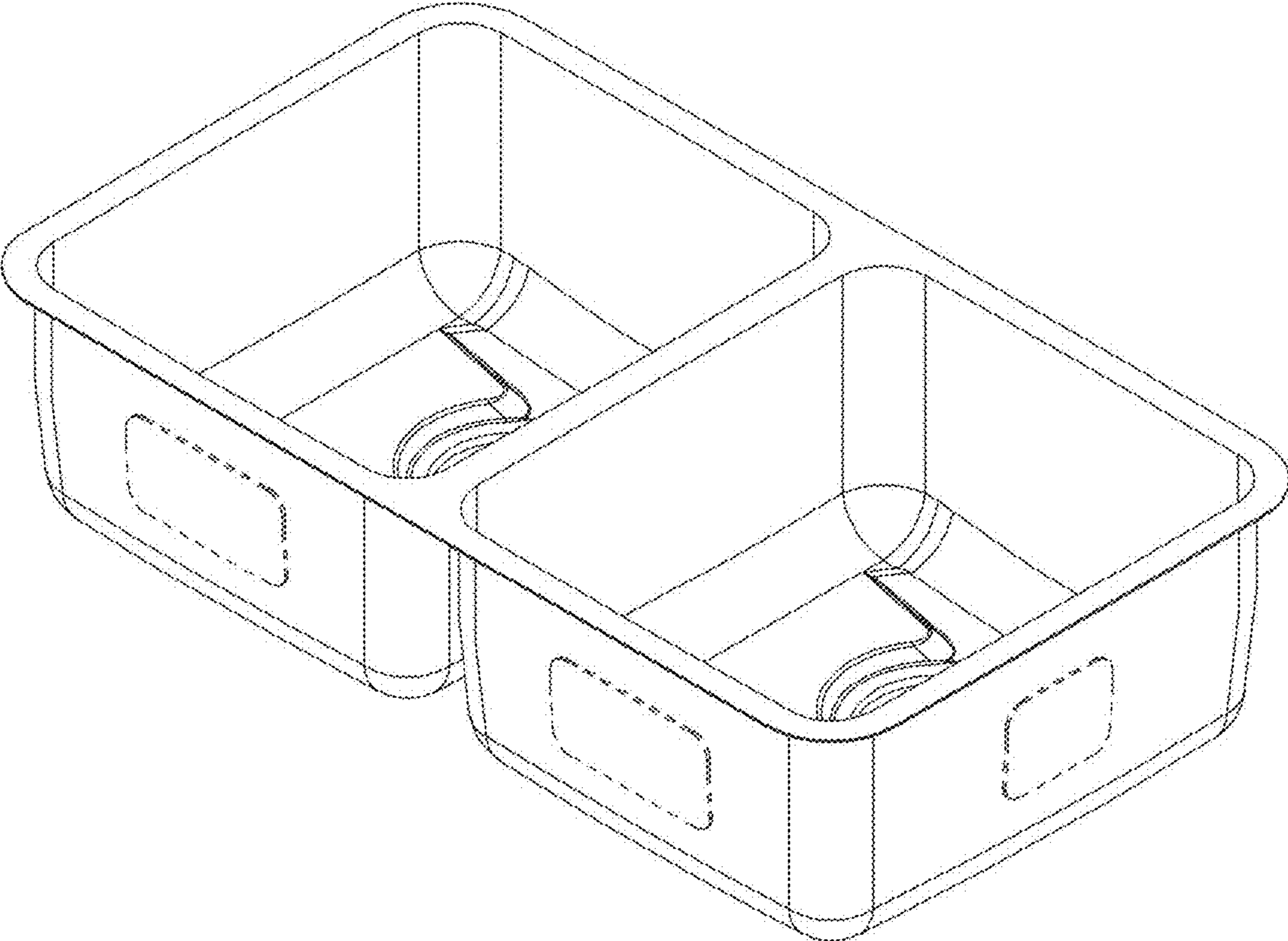


FIG. 1

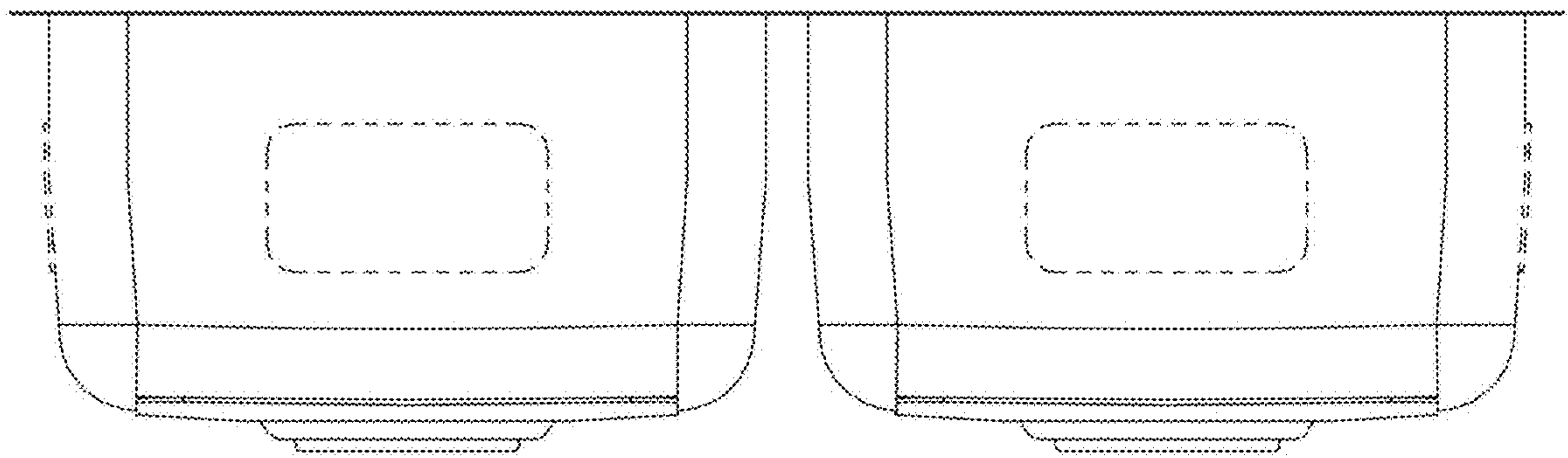


FIG. 2

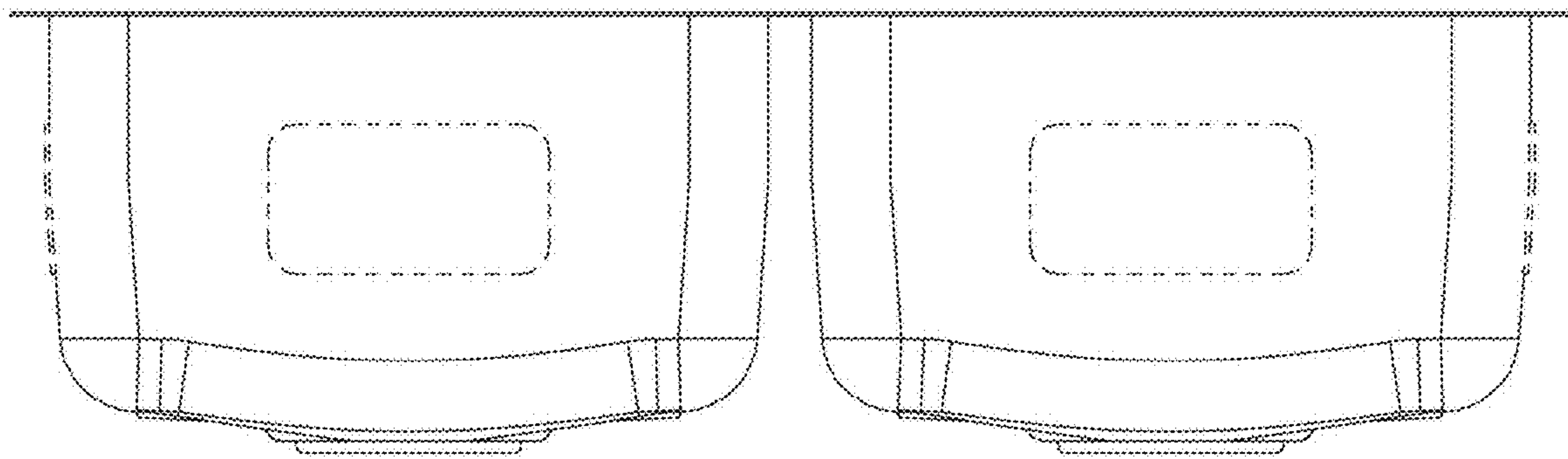


FIG. 3

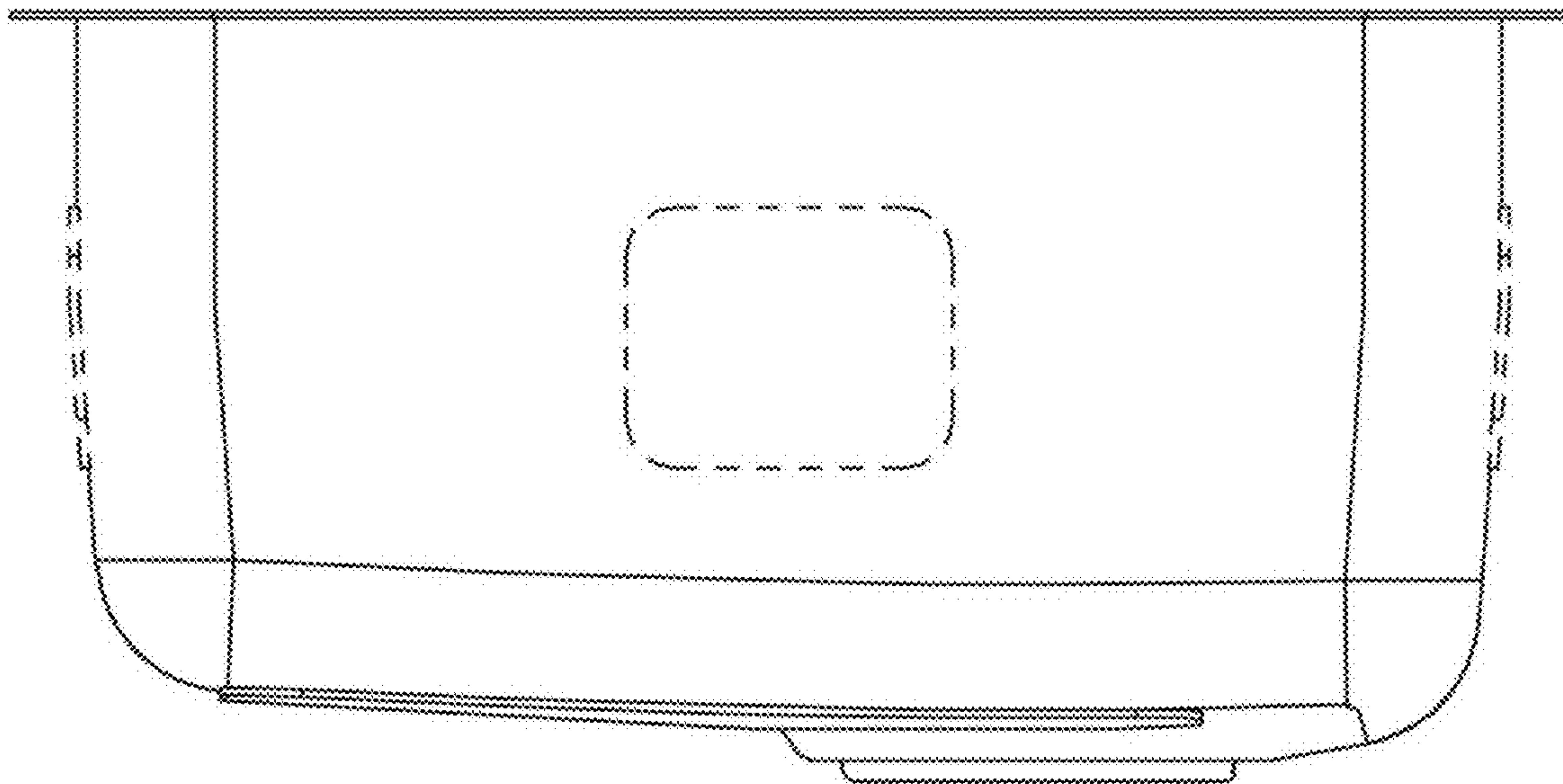


FIG. 4

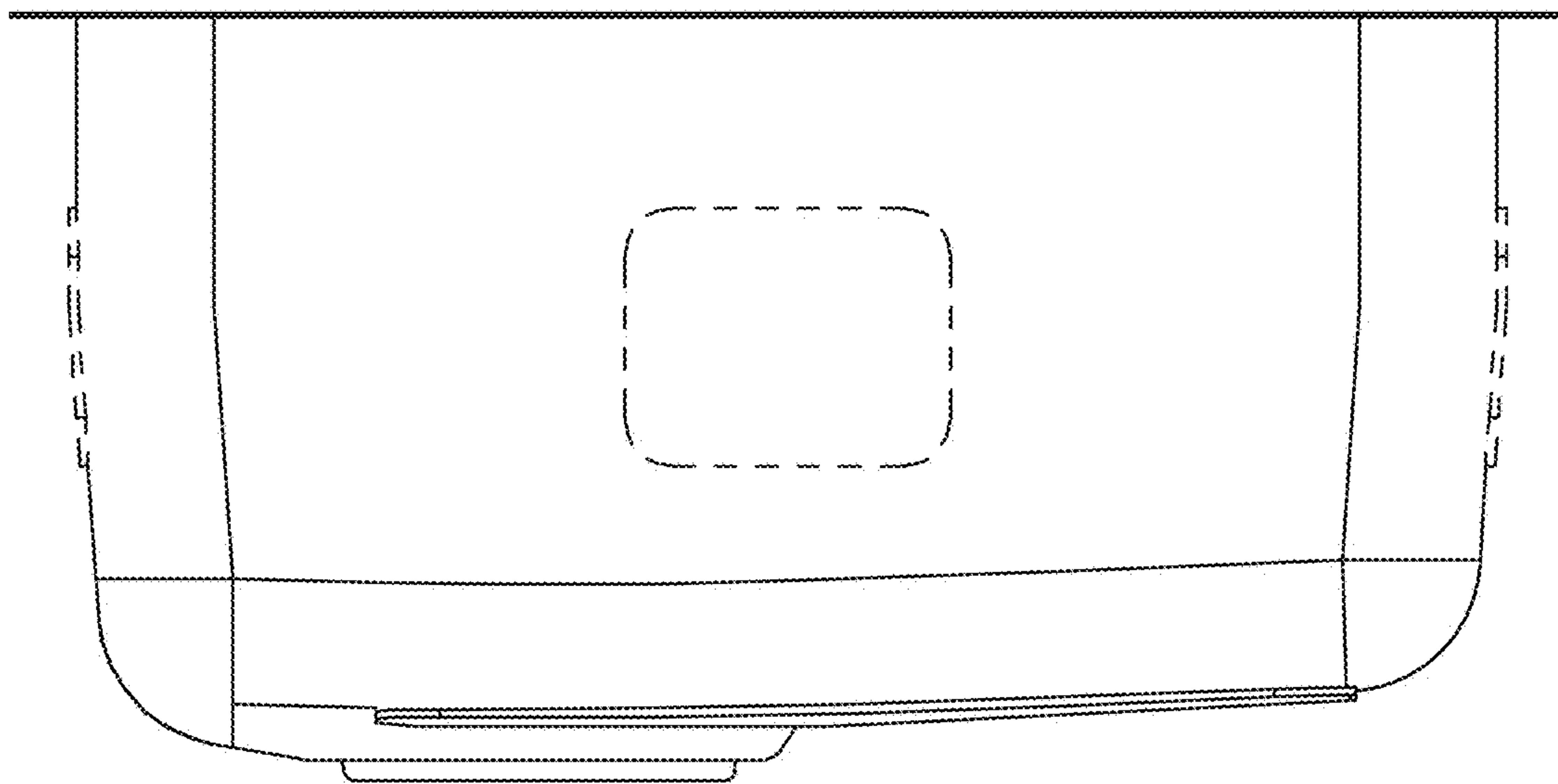


FIG. 5

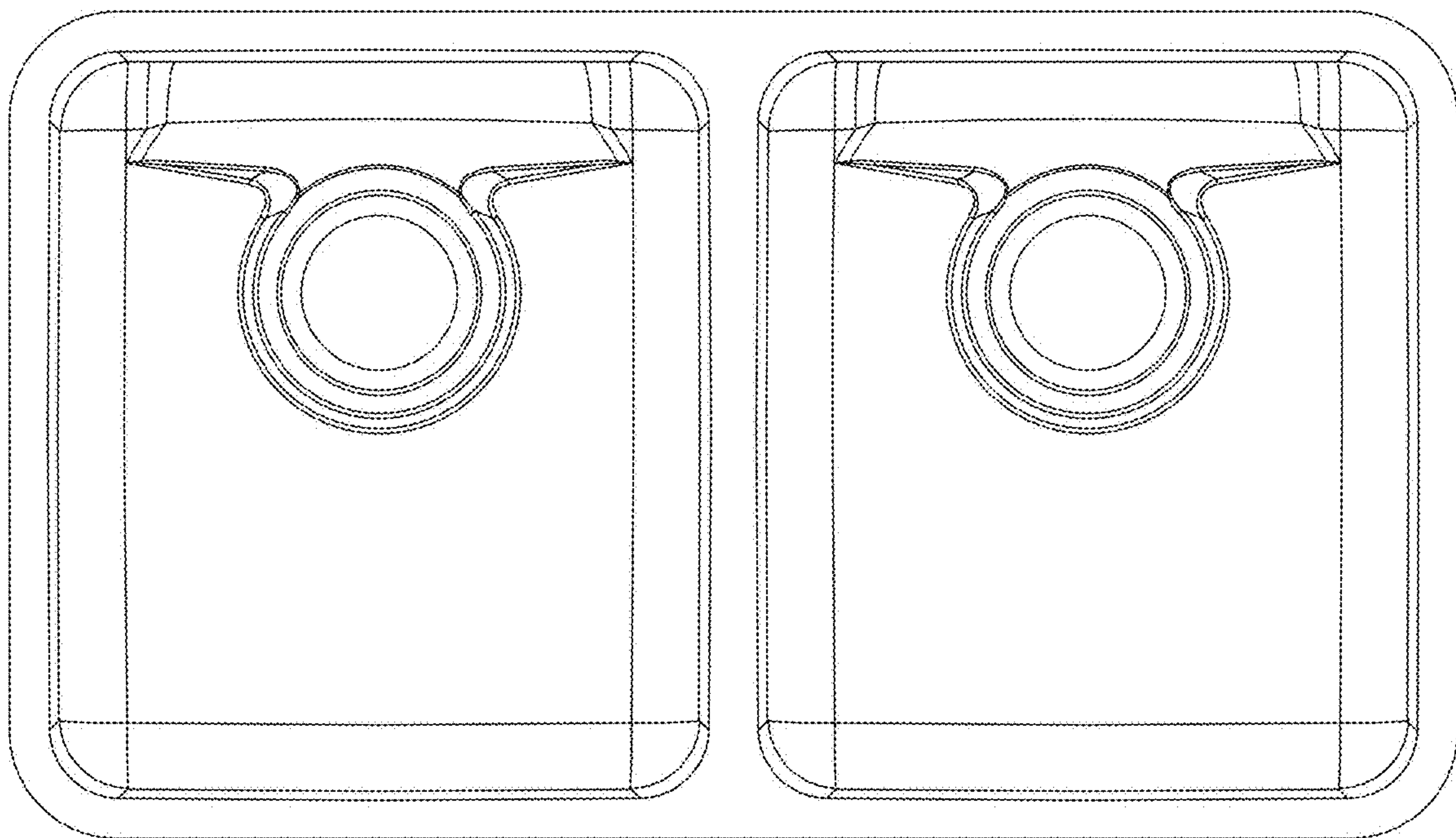


FIG. 6

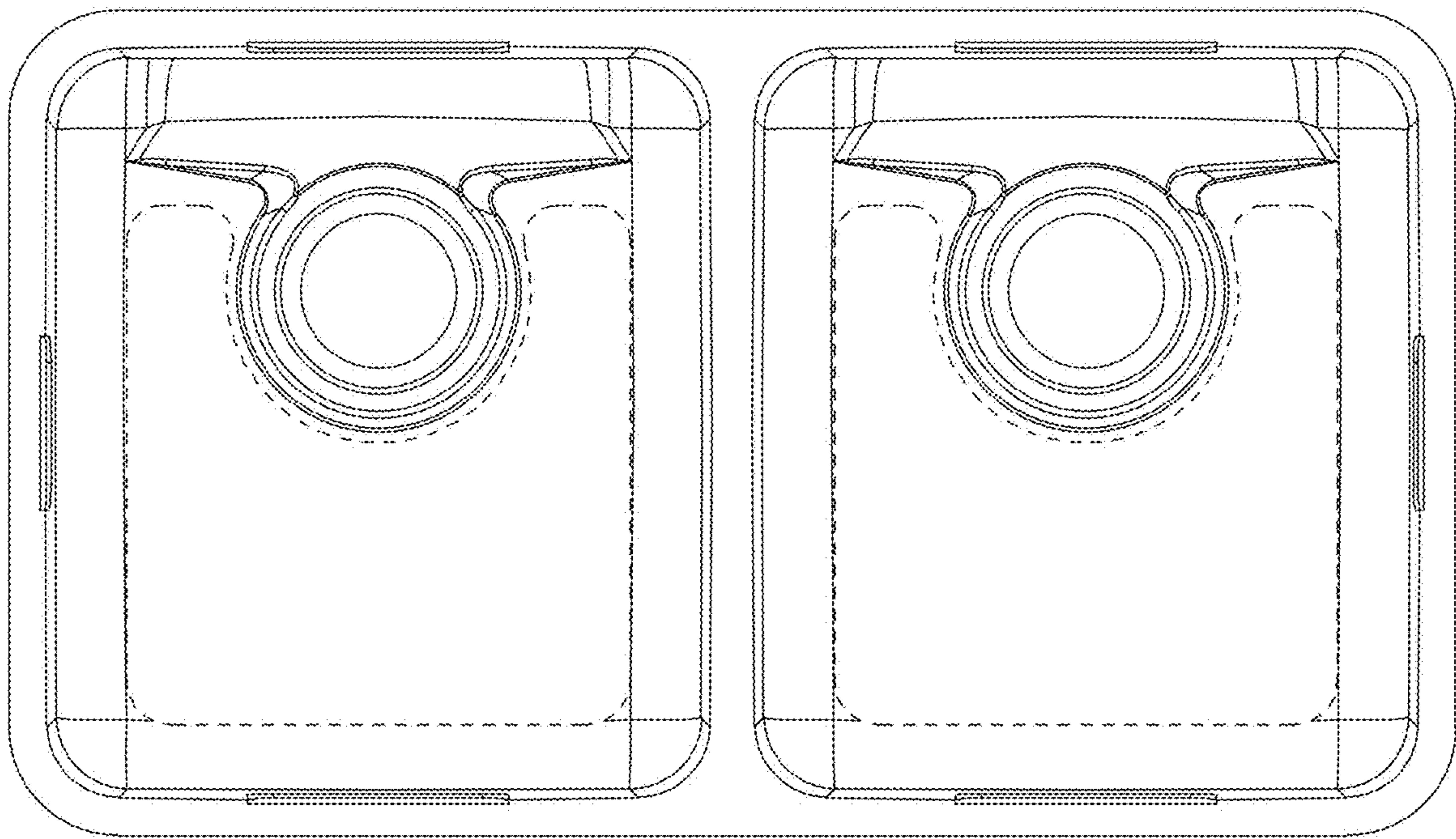


FIG. 7

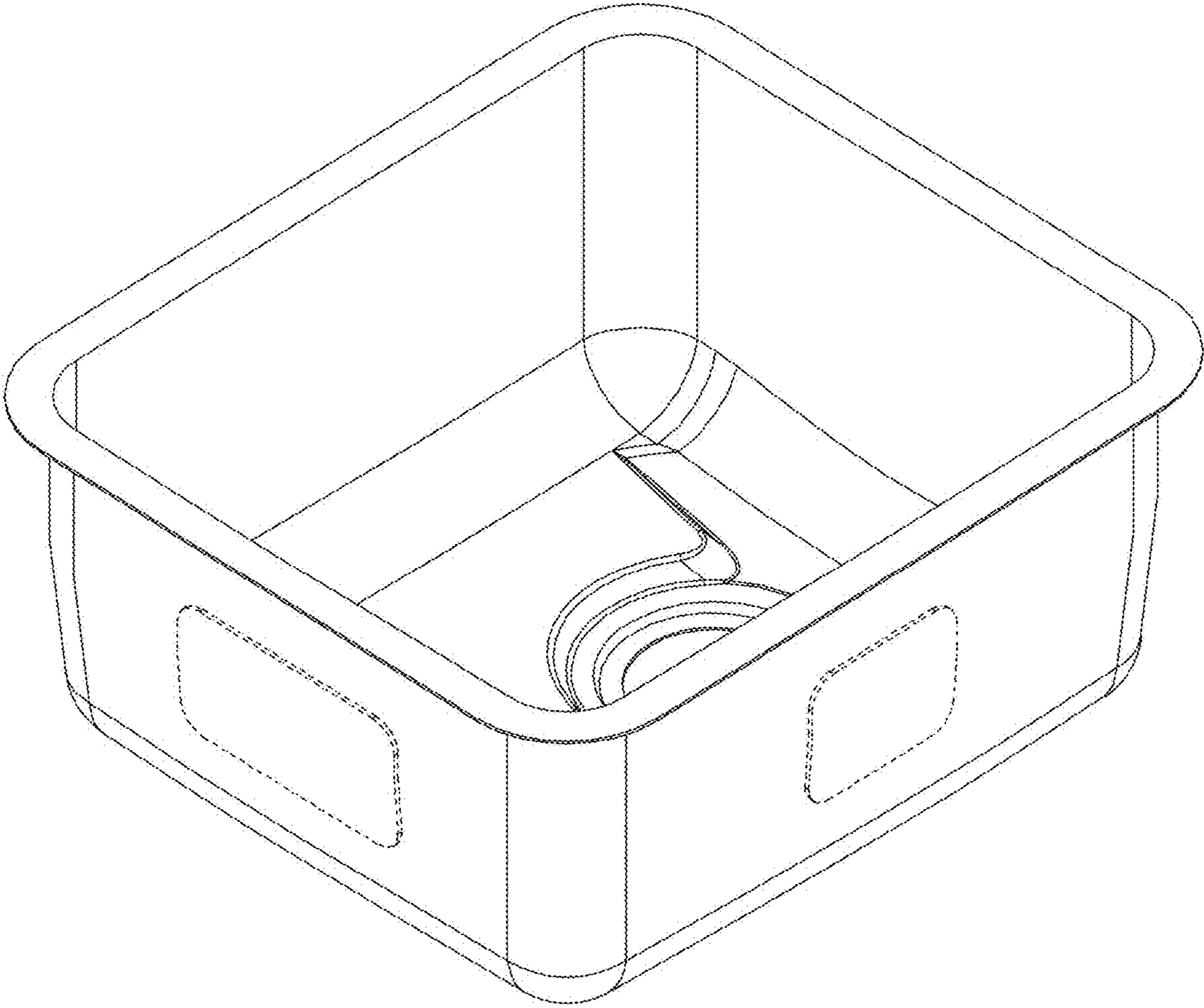


FIG. 8

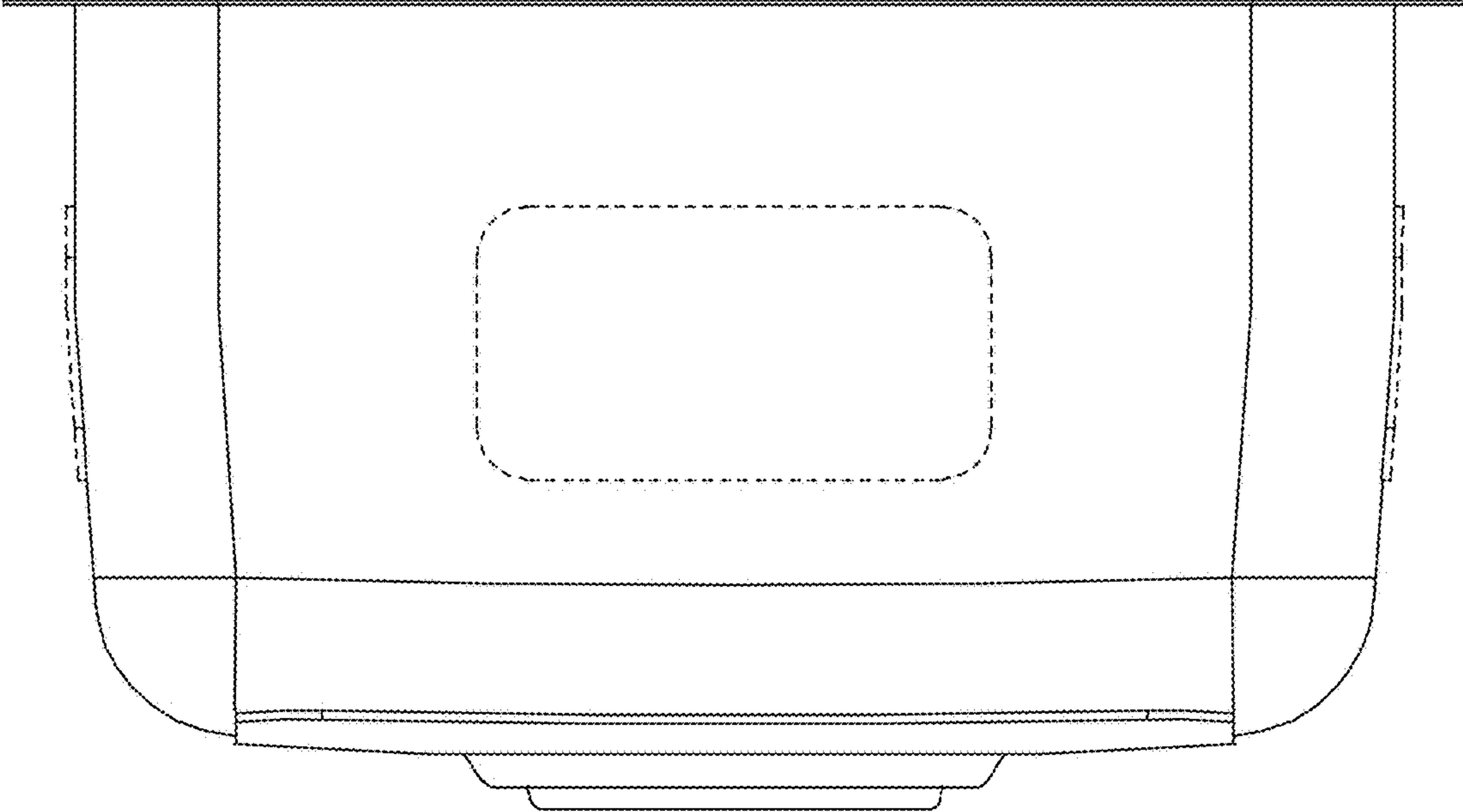


FIG. 9

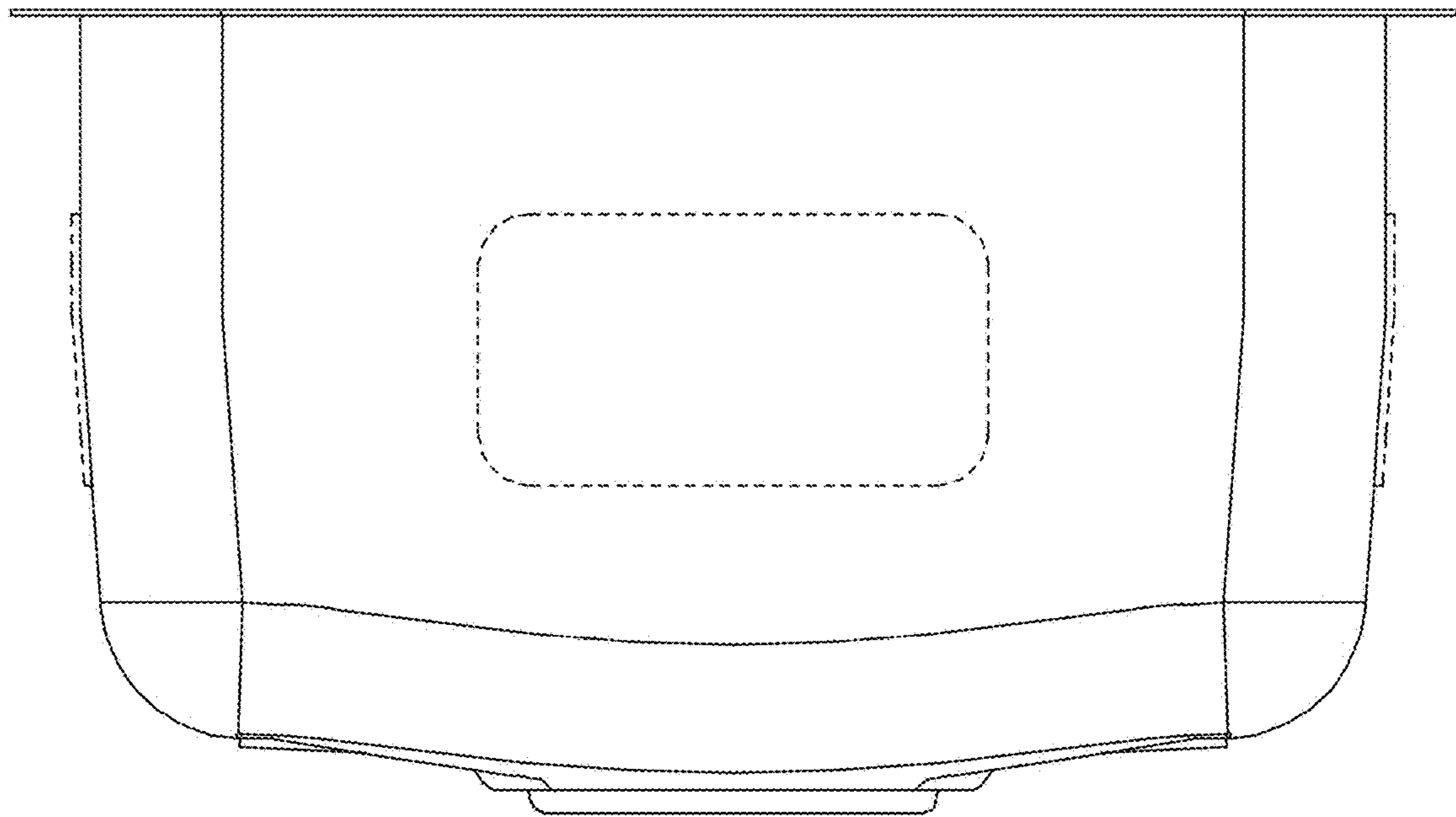


FIG. 10

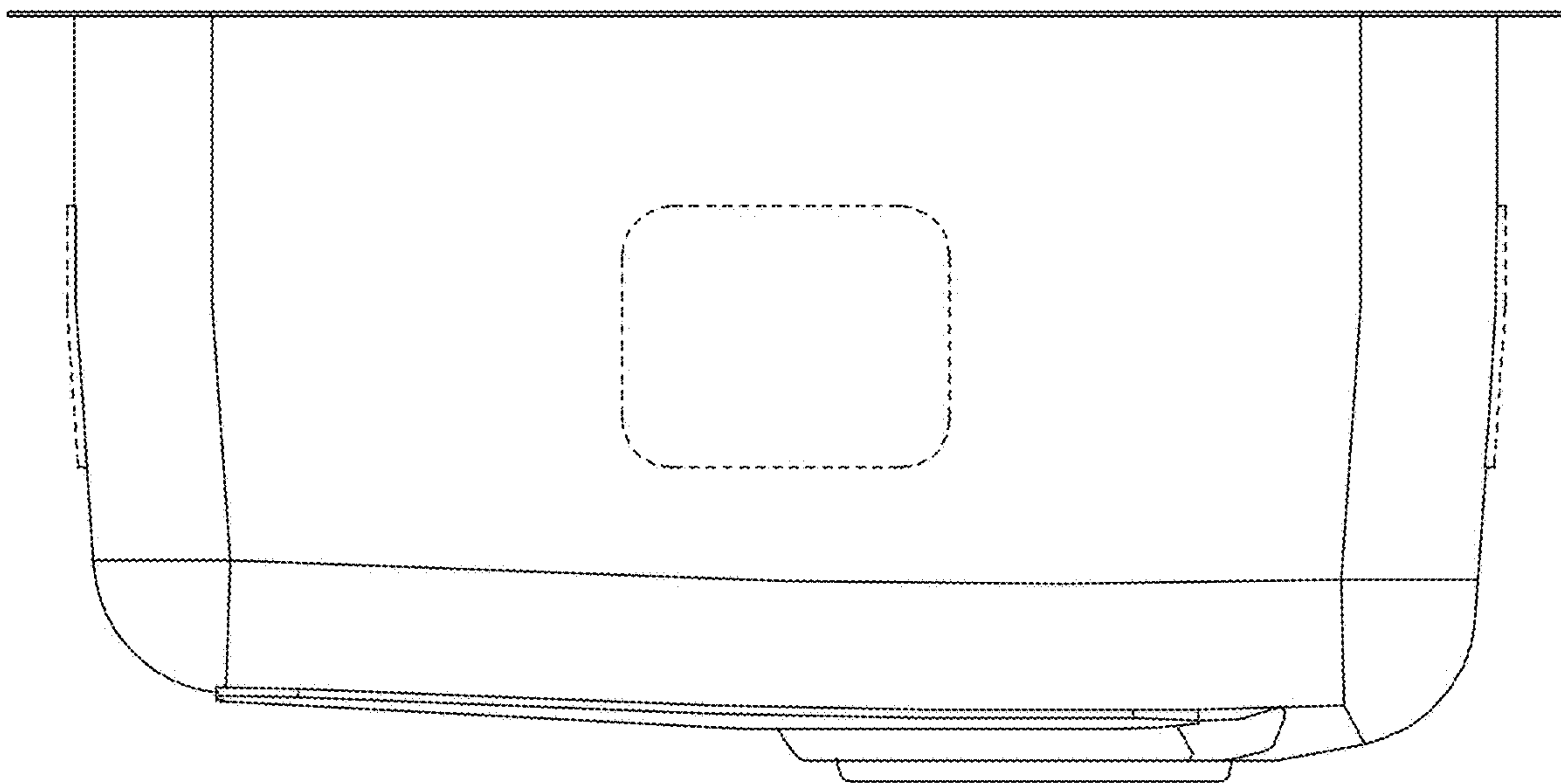


FIG. 11

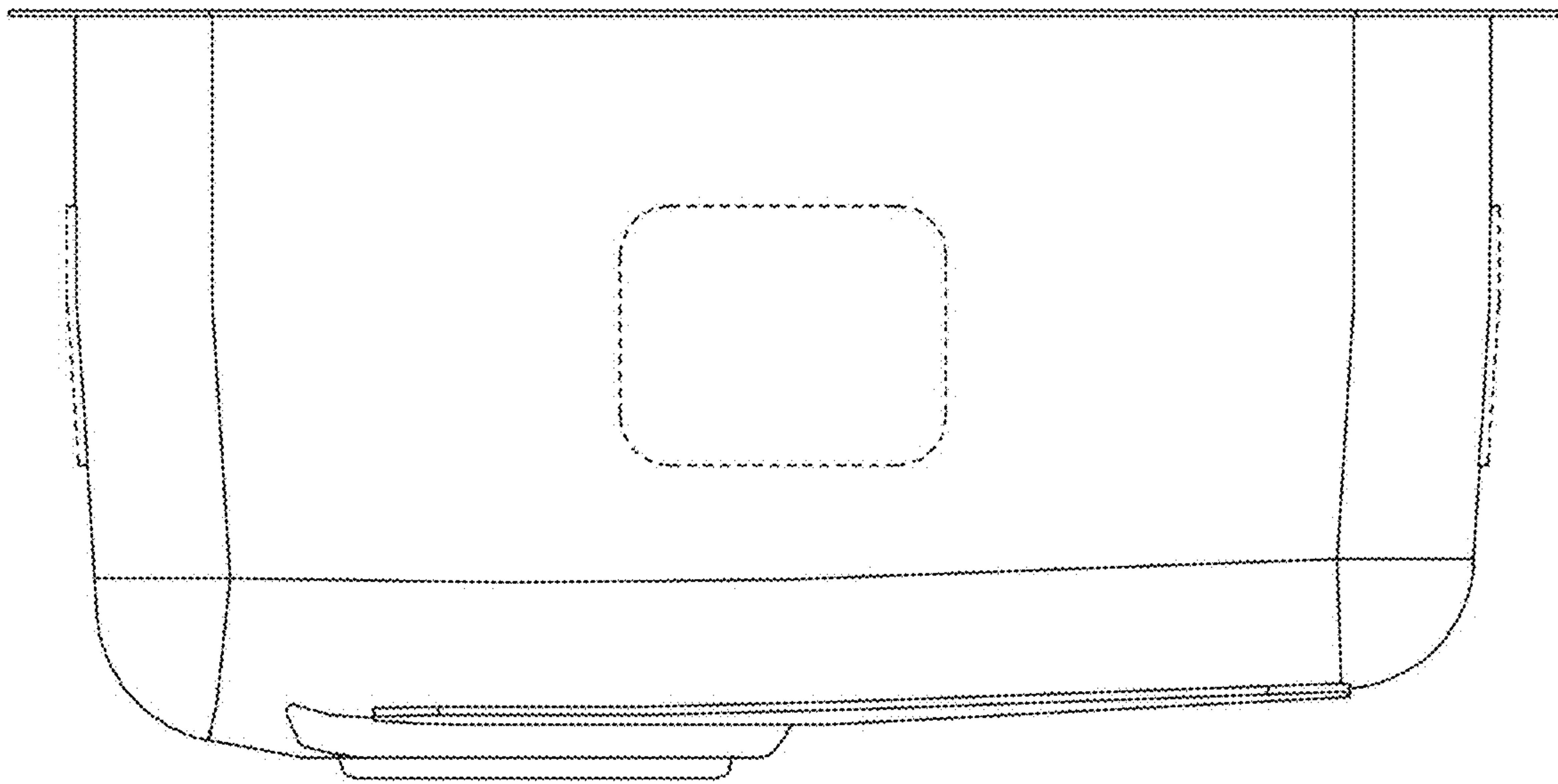


FIG. 12

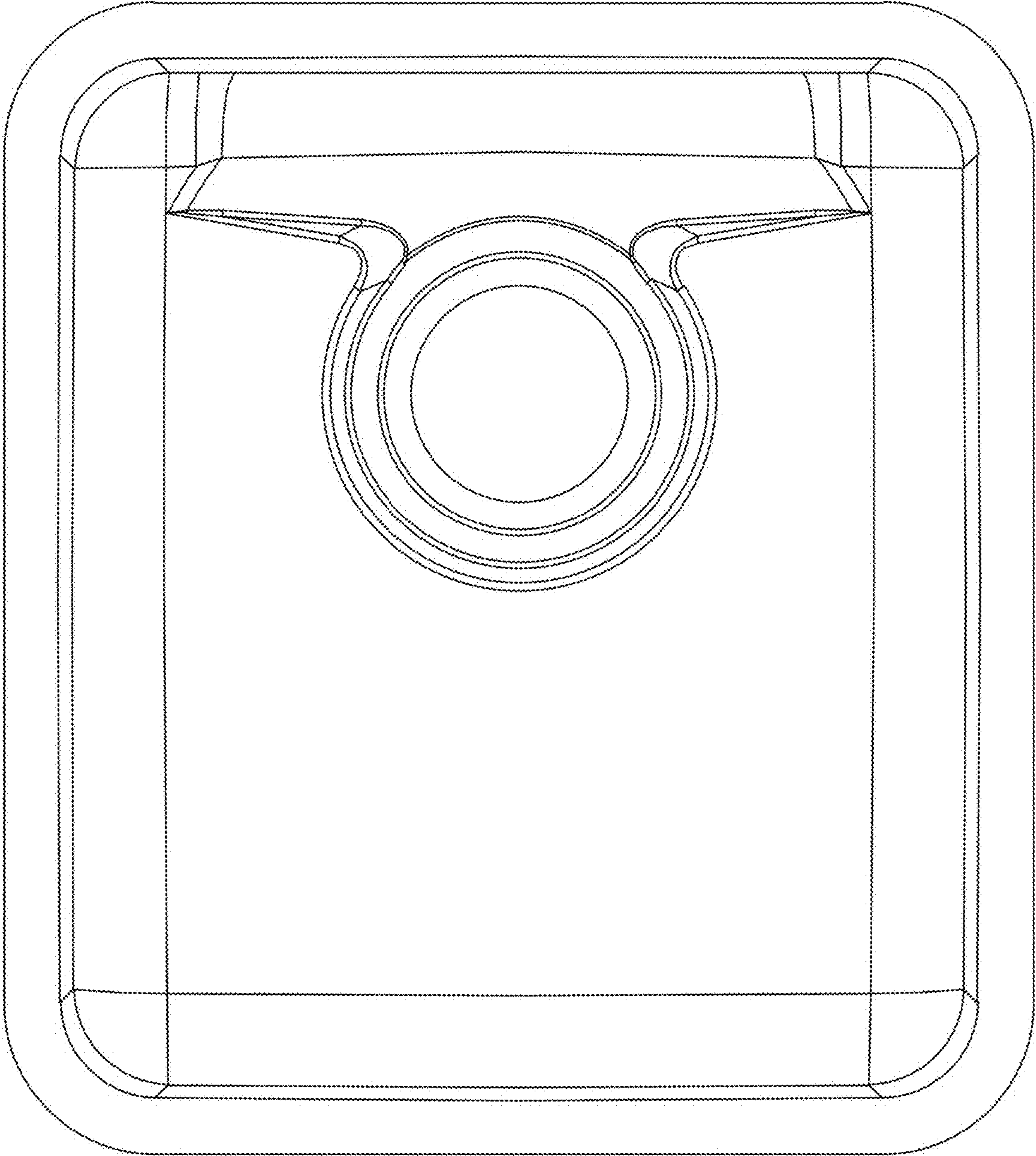


FIG. 13

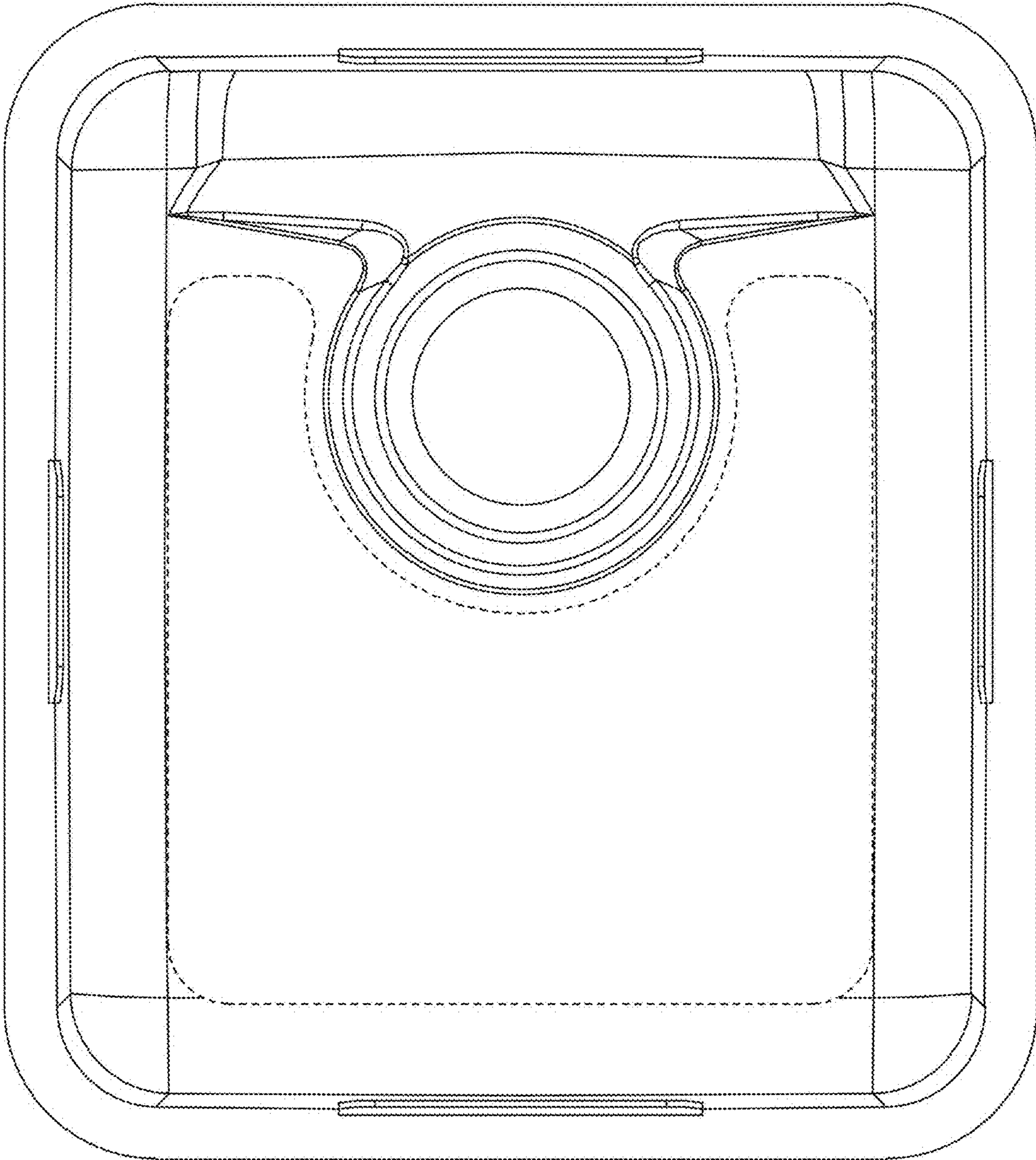


FIG. 14

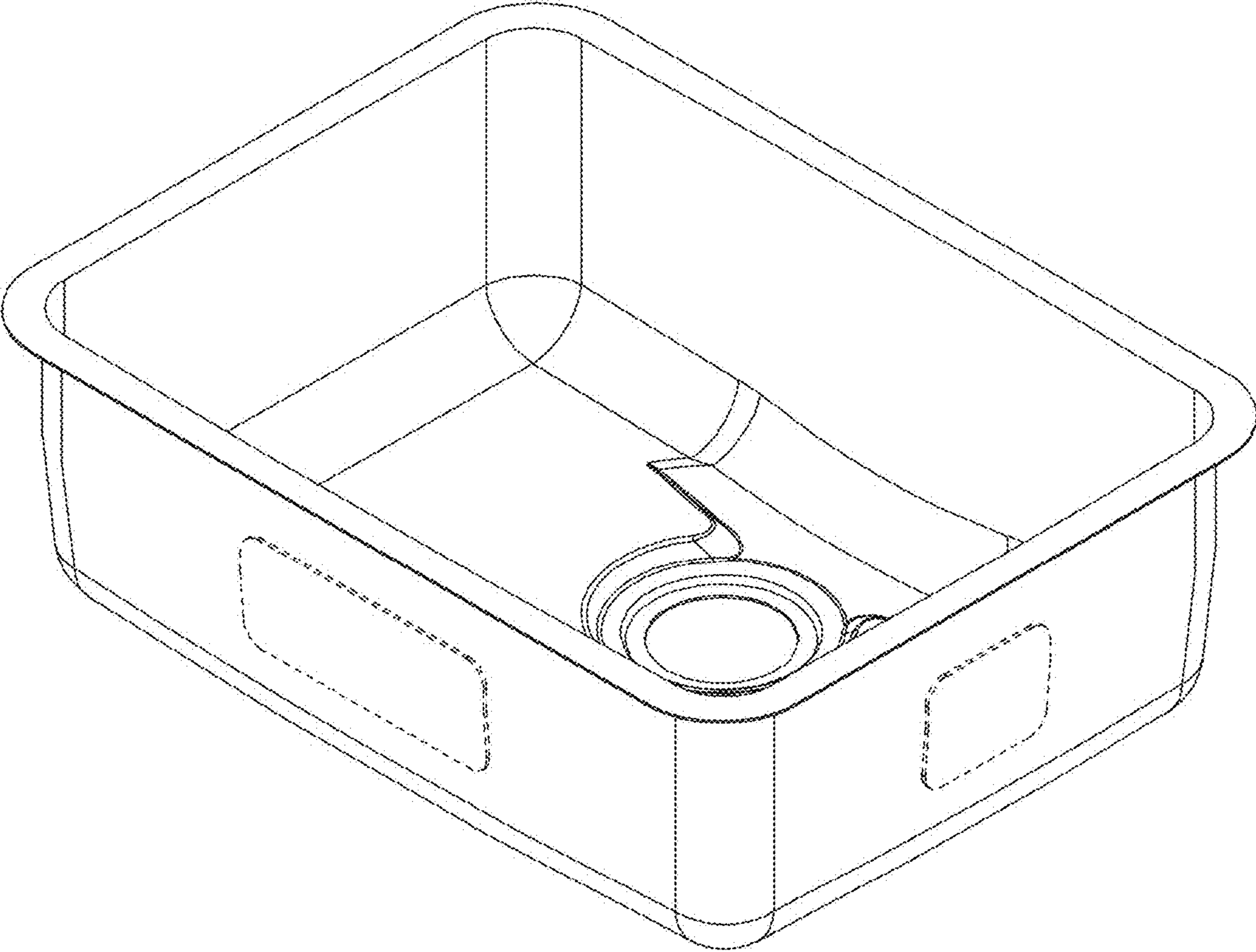


FIG. 15

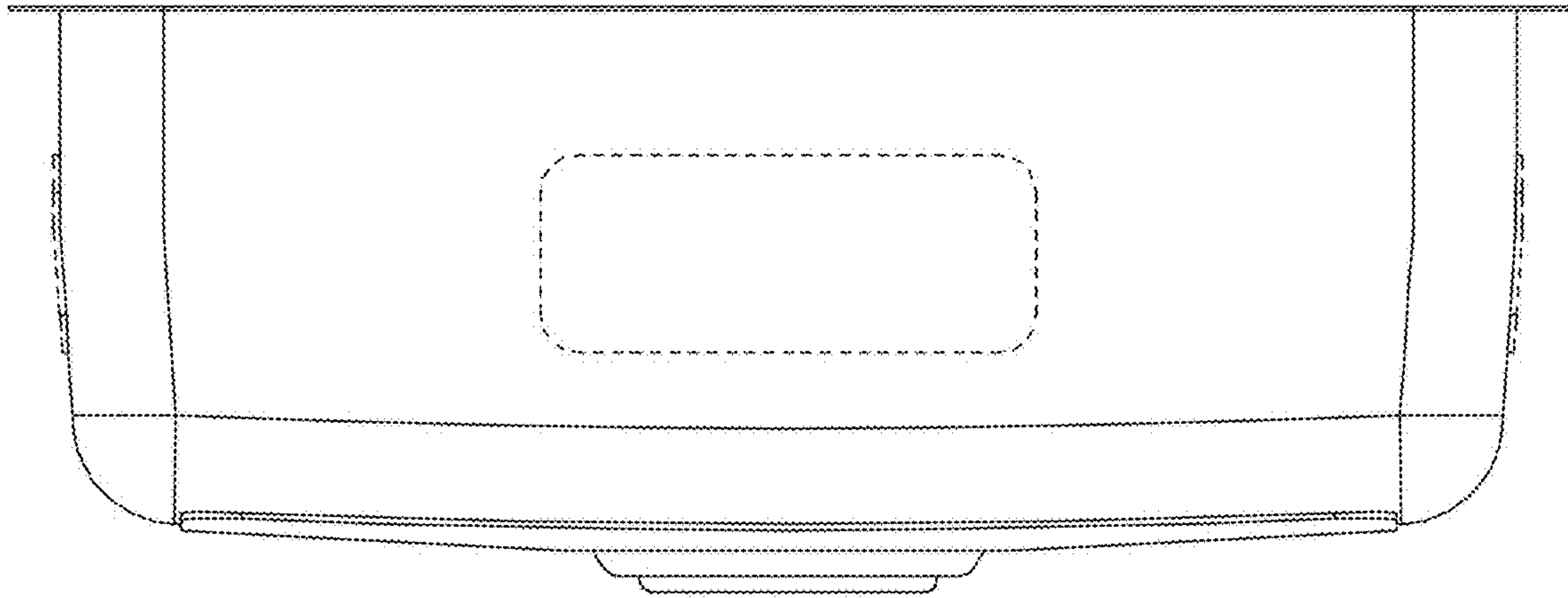


FIG. 16

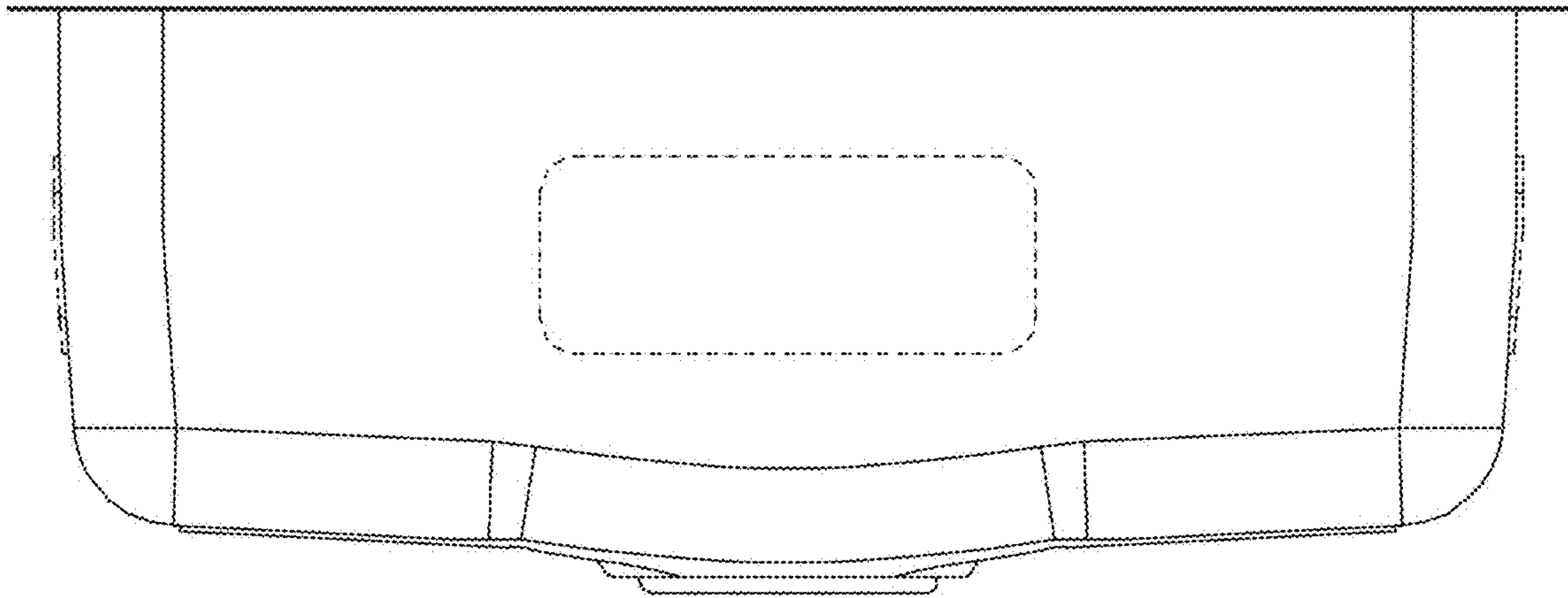


FIG. 17

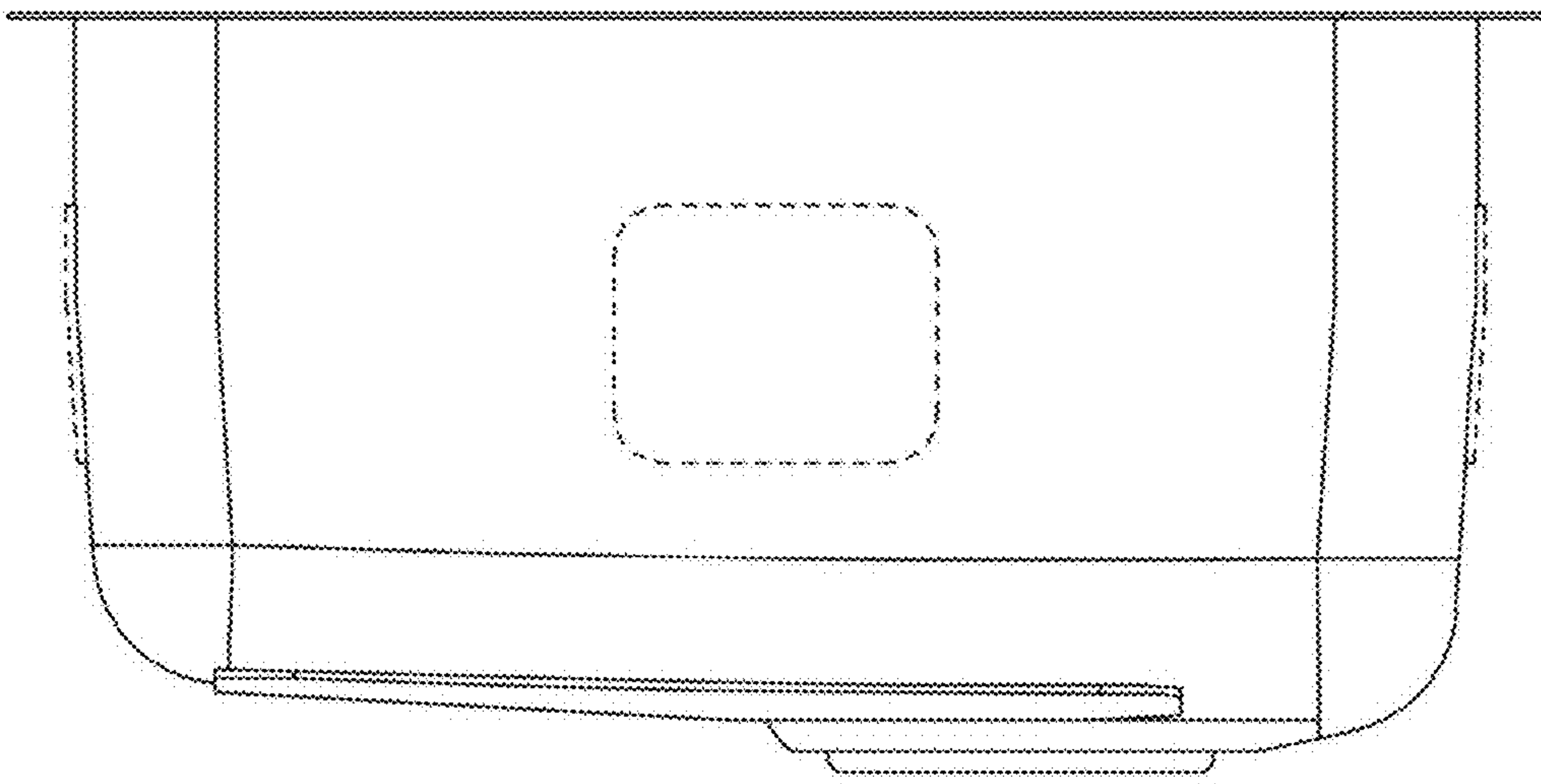


FIG. 18

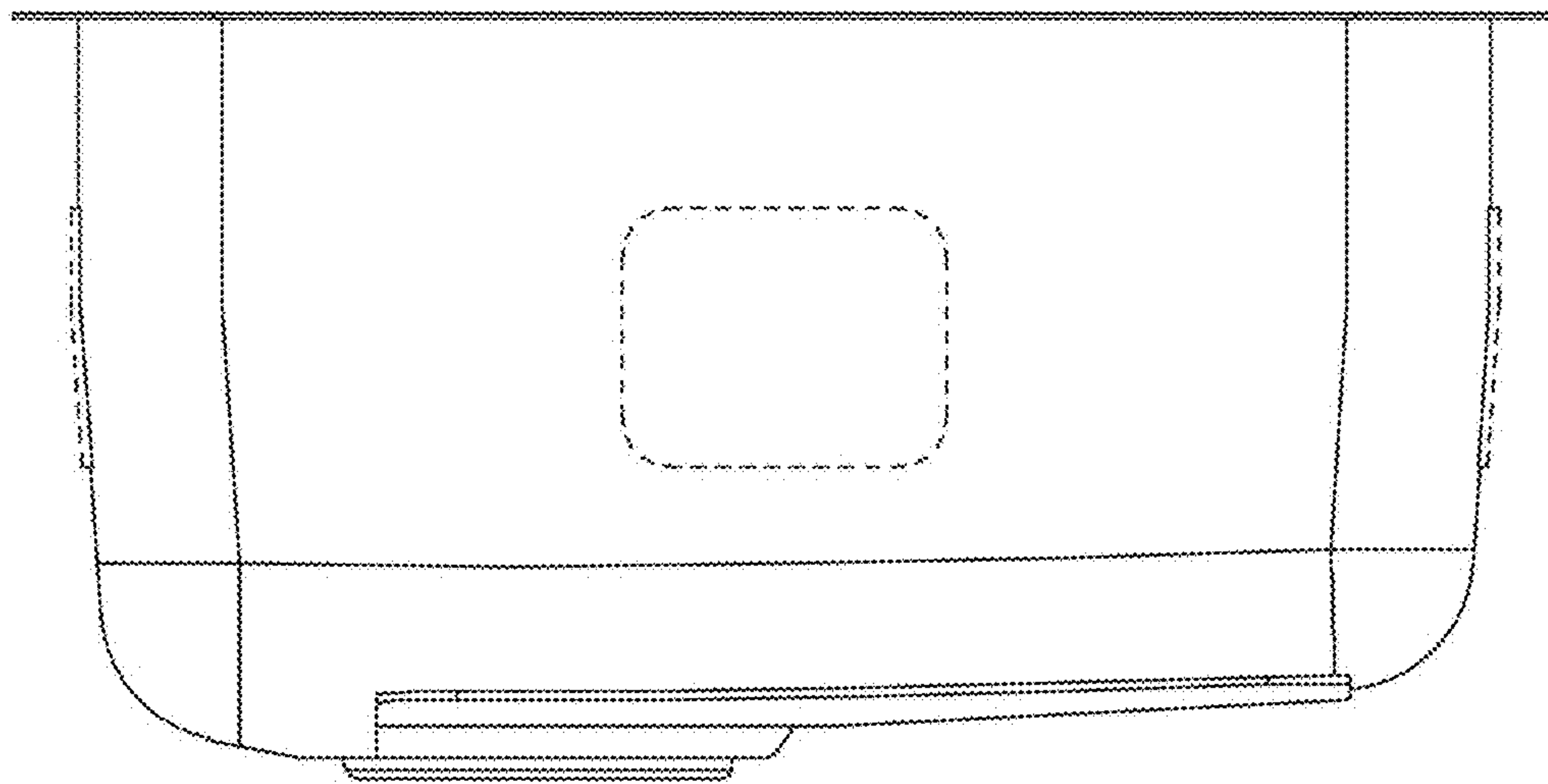


FIG. 19

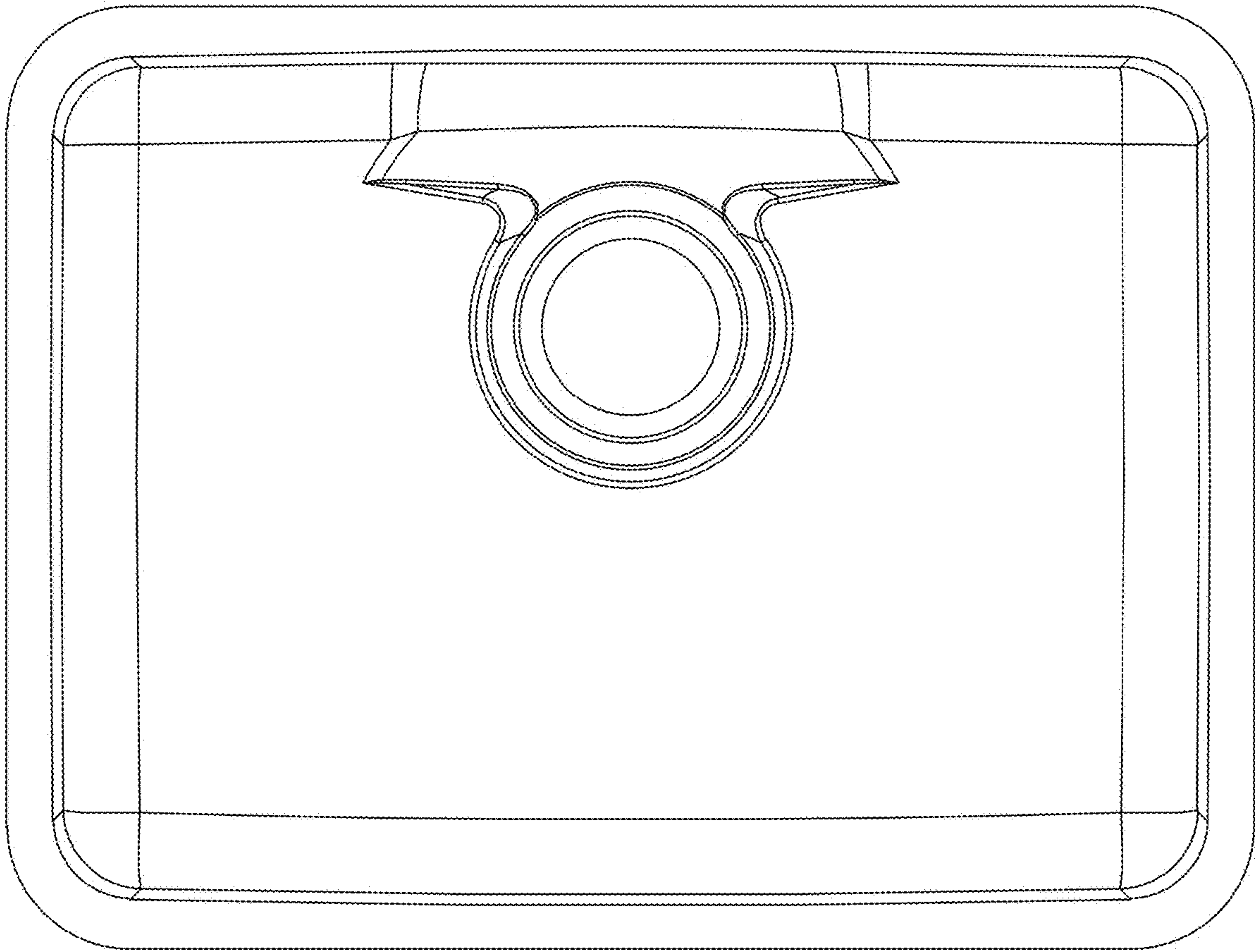


FIG. 20

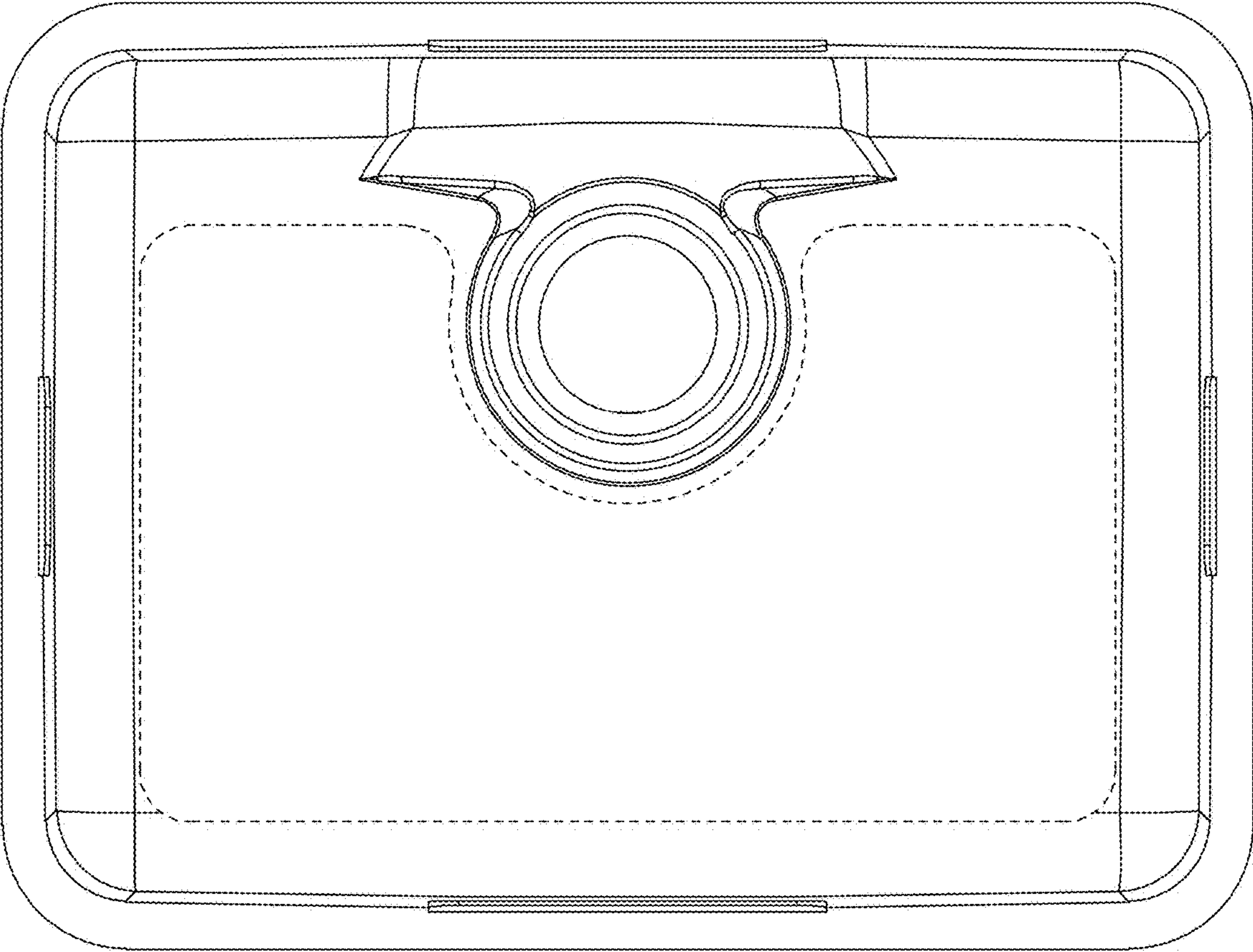


FIG. 21

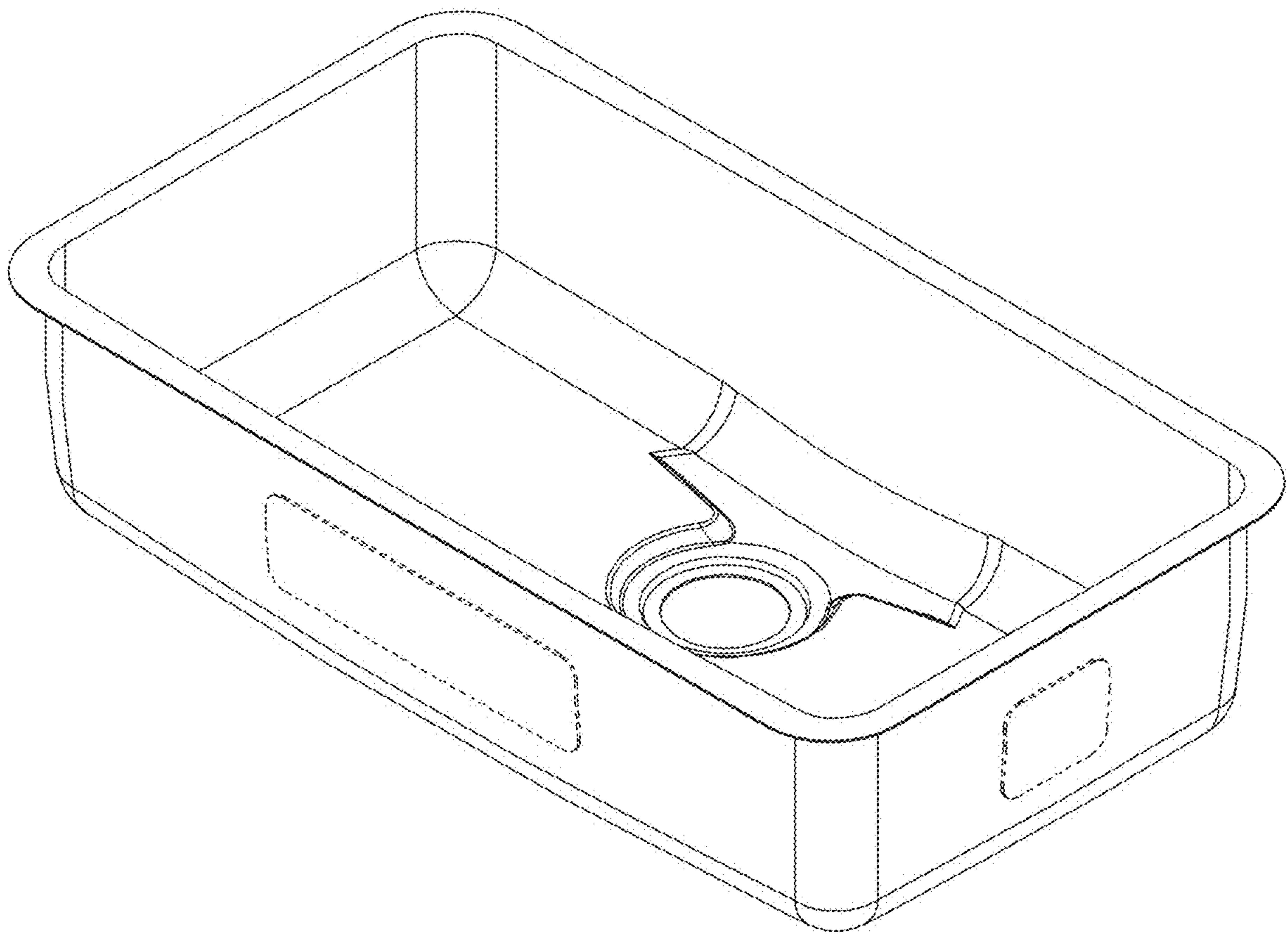


FIG. 22

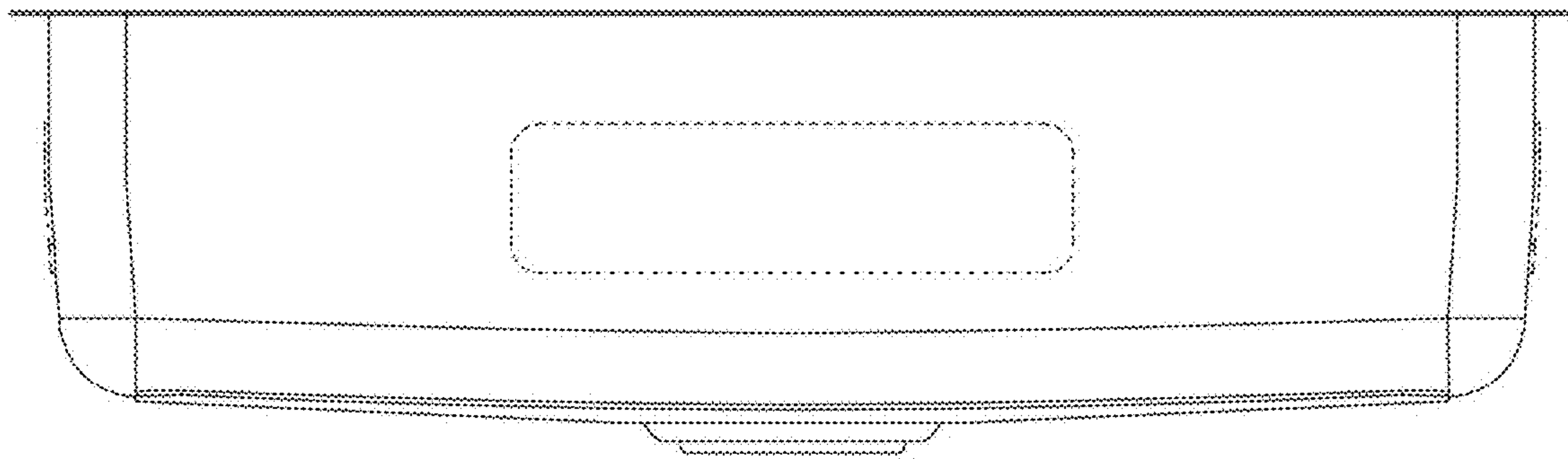


FIG. 23

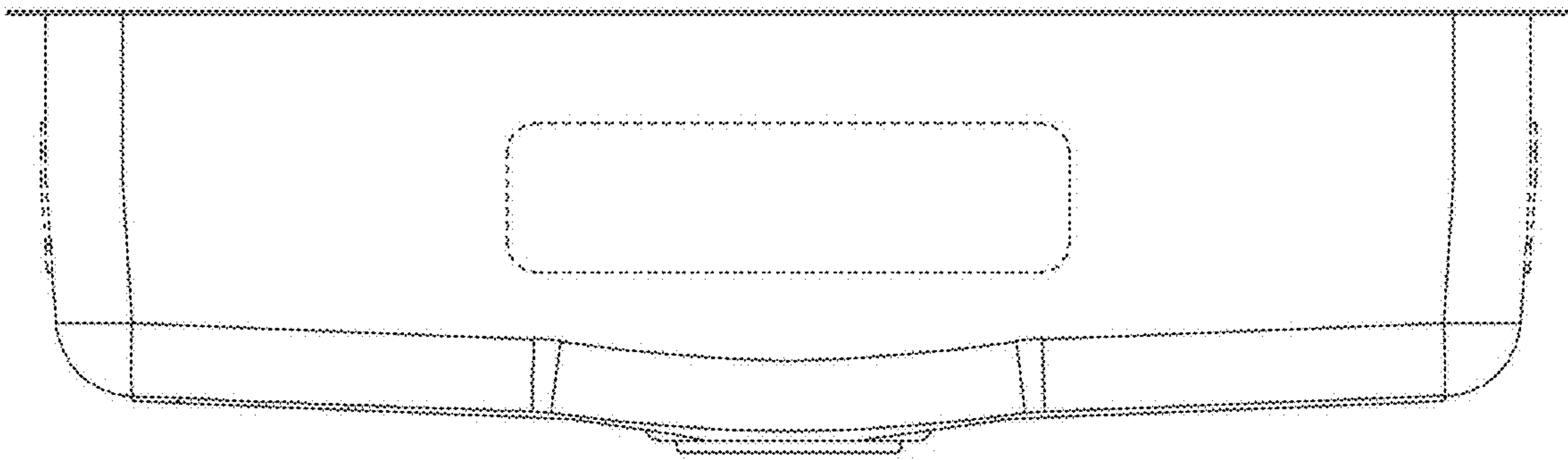


FIG. 24

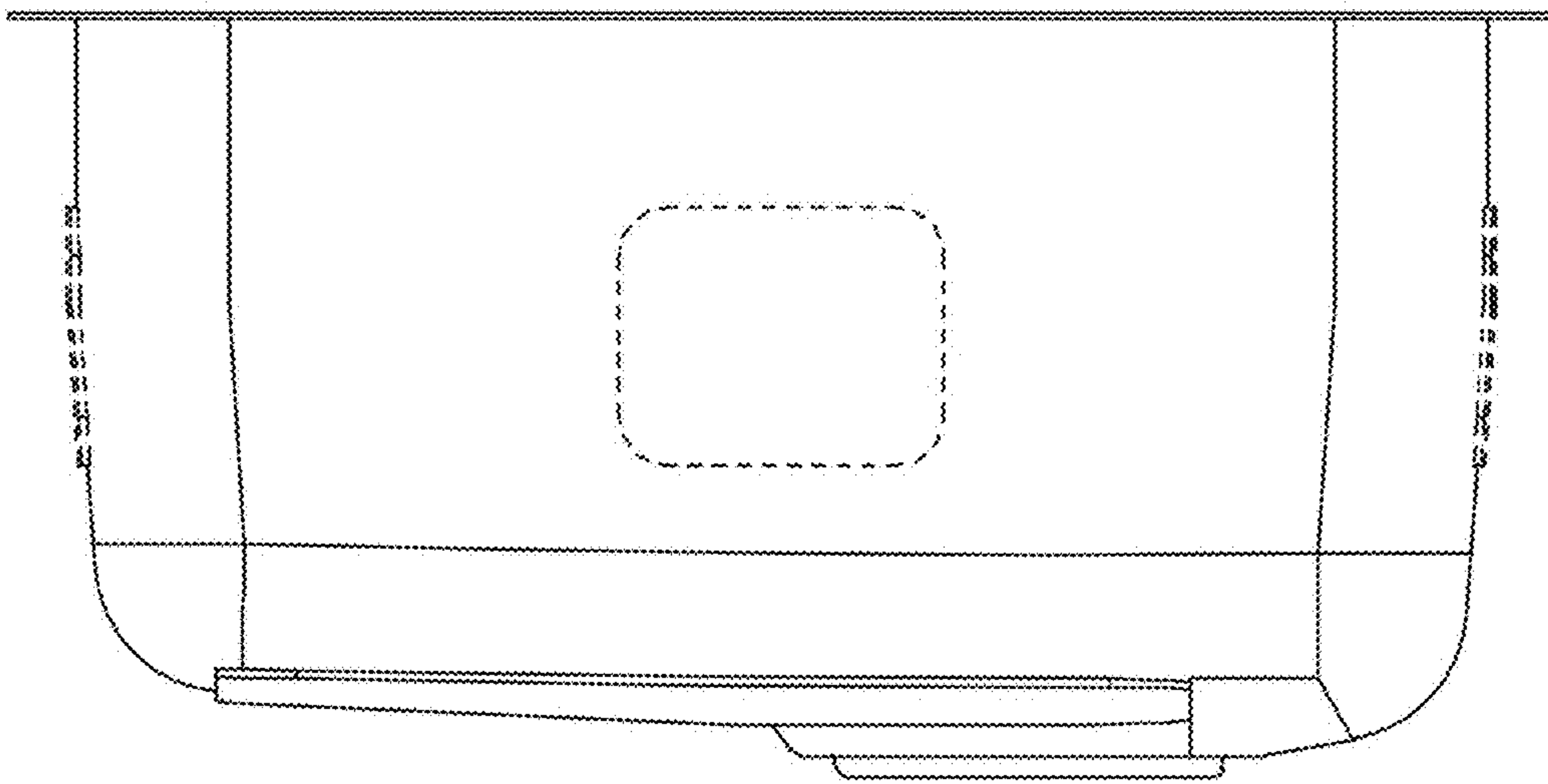


FIG. 25

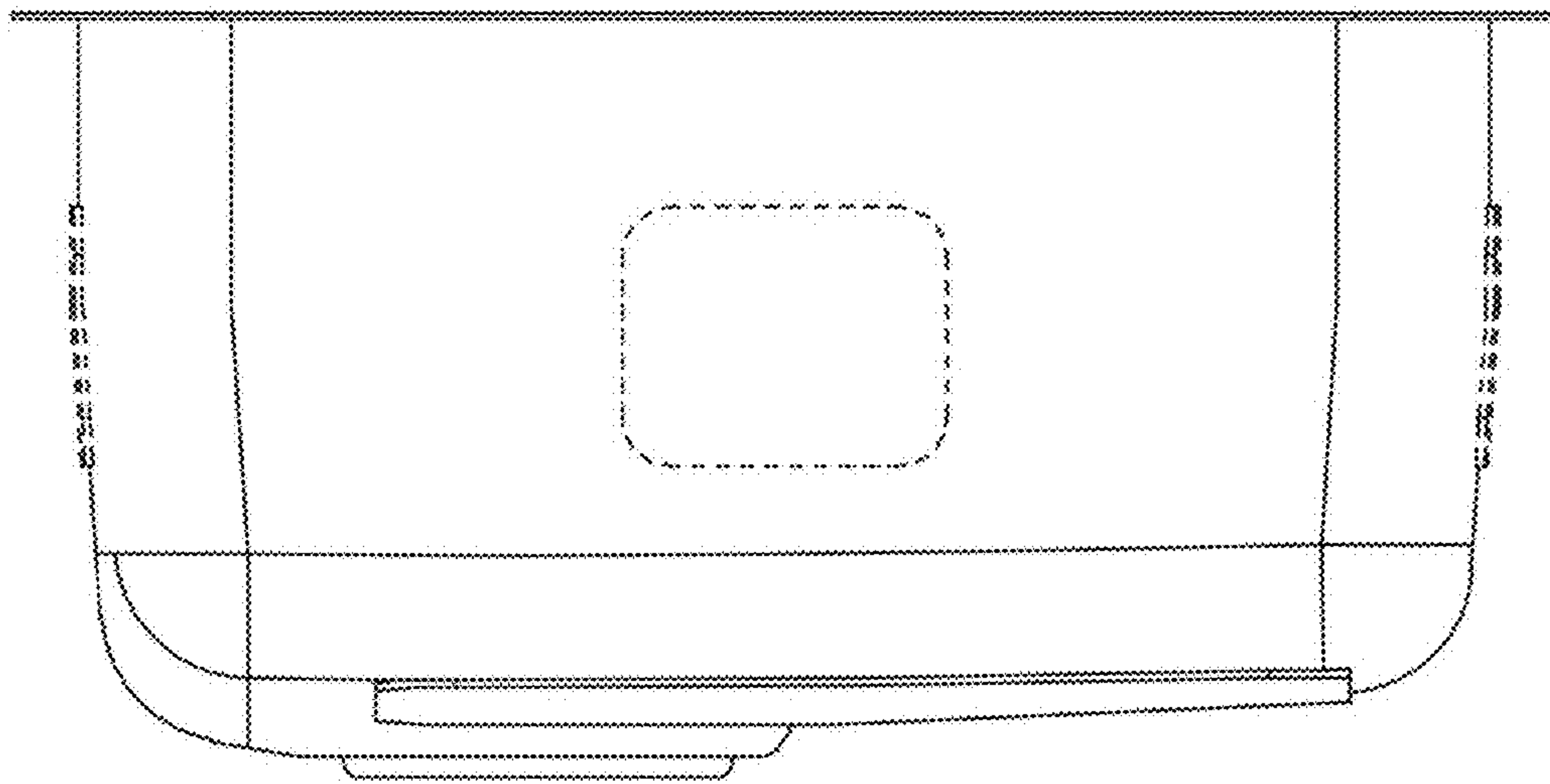


FIG. 26

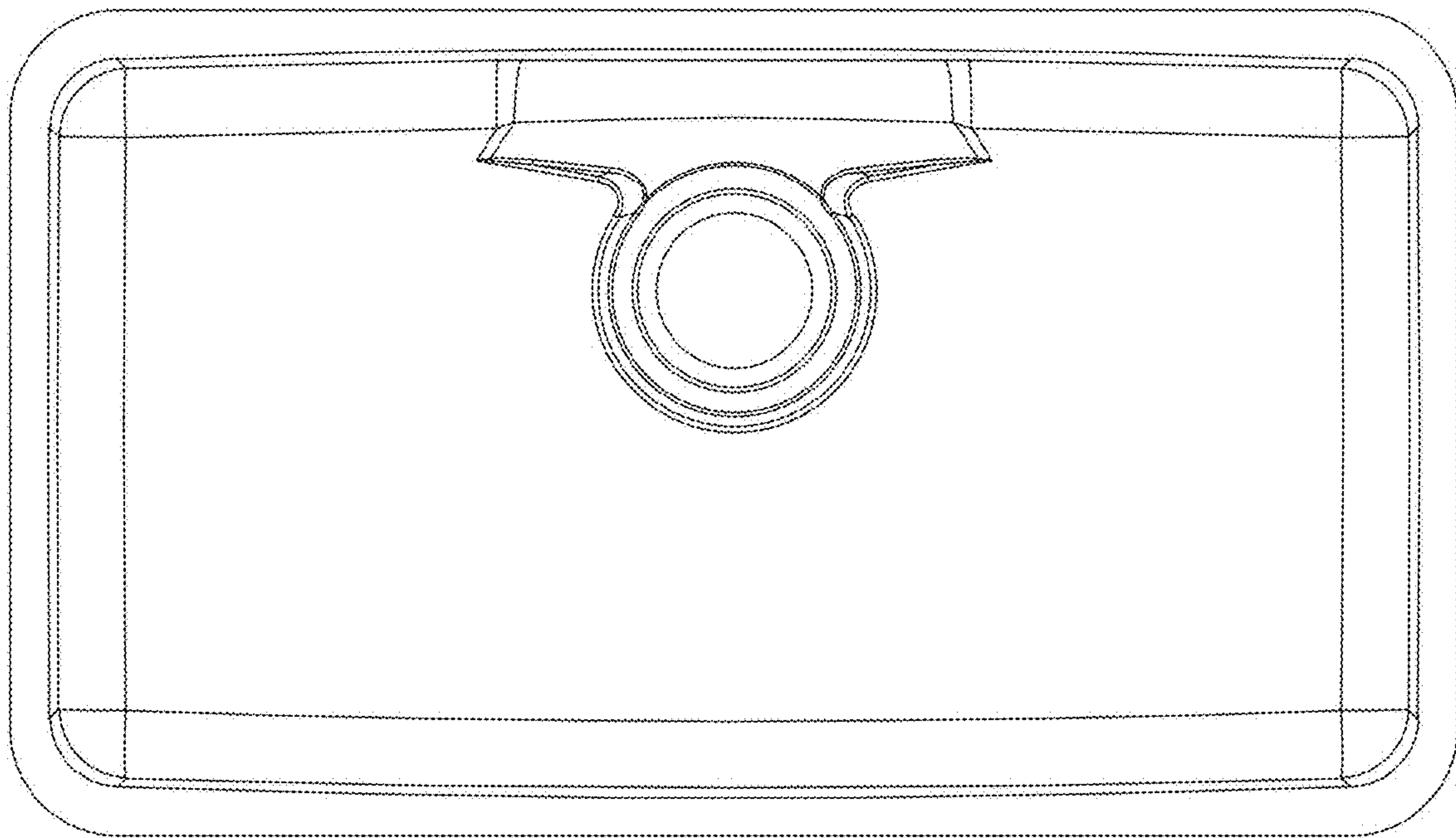


FIG. 27

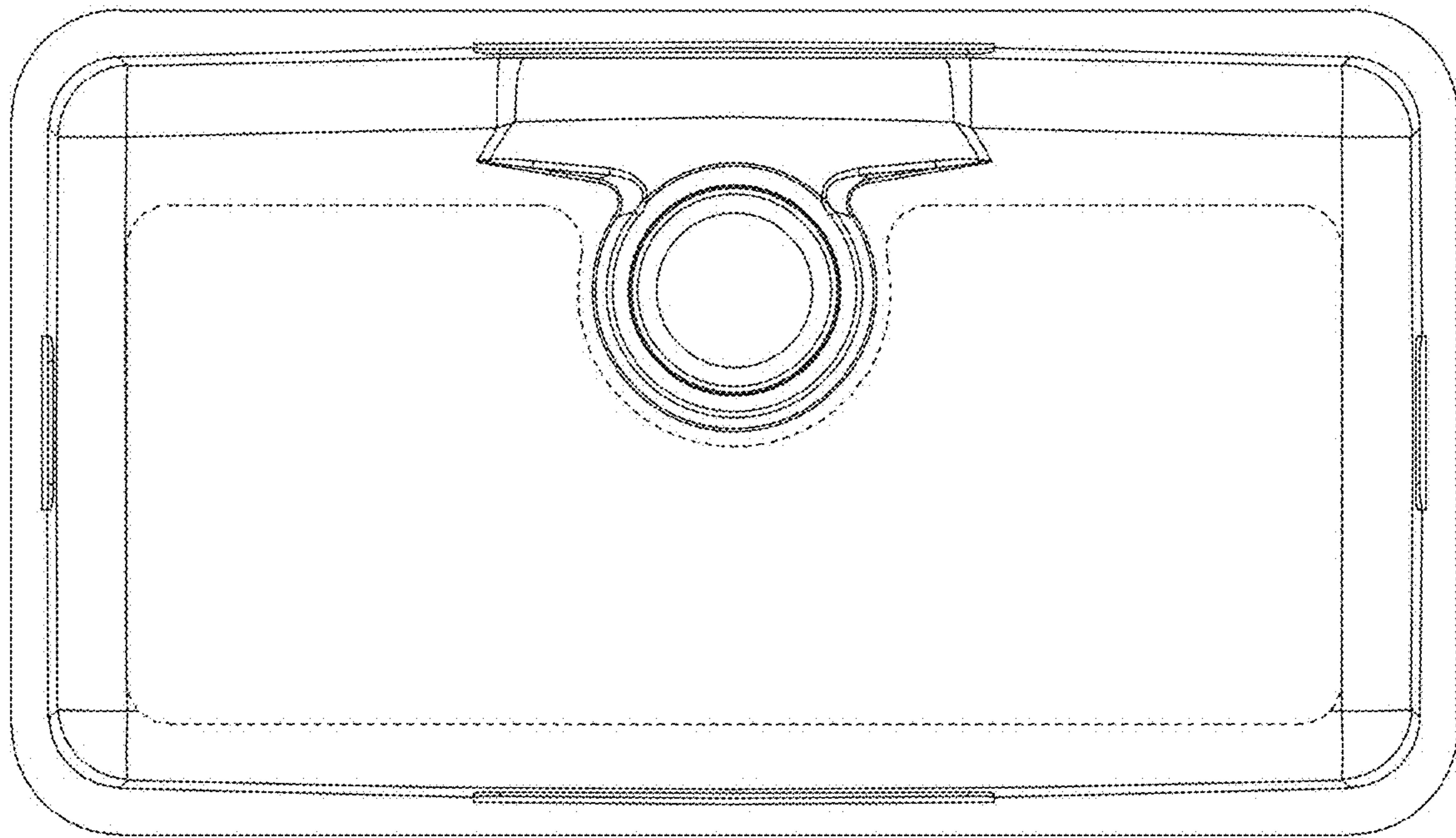


FIG. 28