



US00D835761S

(12) **United States Design Patent**
Latham

(10) **Patent No.:** **US D835,761 S**

(45) **Date of Patent:** **** Dec. 11, 2018**

- (54) **HAND WASHING DEVICE**
- (71) Applicant: **Mark J. Latham**, Copley, OH (US)
- (72) Inventor: **Mark J. Latham**, Copley, OH (US)
- (**) Term: **15 Years**
- (21) Appl. No.: **29/579,891**
- (22) Filed: **Oct. 4, 2016**
- (51) **LOC (11) Cl.** **23-02**
- (52) **U.S. Cl.**
USPC **D23/286**
- (58) **Field of Classification Search**
USPC D23/284–293.1, 303, 308; D6/329, 573,
D6/657, 663–666, 671, 671.1, 671.4;
D32/1, 3, 25, 55
CPC . A47K 1/04; A47B 77/06; A47J 47/20; B08B
3/006; D06F 39/083
See application file for complete search history.

7,875,127 B2 * 1/2011 Porter B08B 3/006
134/110
D677,770 S * 3/2013 Yoshioka D23/293.1
8,967,168 B1 * 3/2015 Gusanders A61B 1/121
134/184
D731,717 S * 6/2015 Foy D32/1
D731,728 S * 6/2015 Evans D32/55
2015/0096600 A1 * 4/2015 Gusanders A61B 1/121
134/113

* cited by examiner

Primary Examiner — Brandon M Rosati

Assistant Examiner — John A Voytek

(74) *Attorney, Agent, or Firm* — Alvin T. Rockhill

(57) **CLAIM**

The ornamental design for a hand washing device, as shown and described.

DESCRIPTION

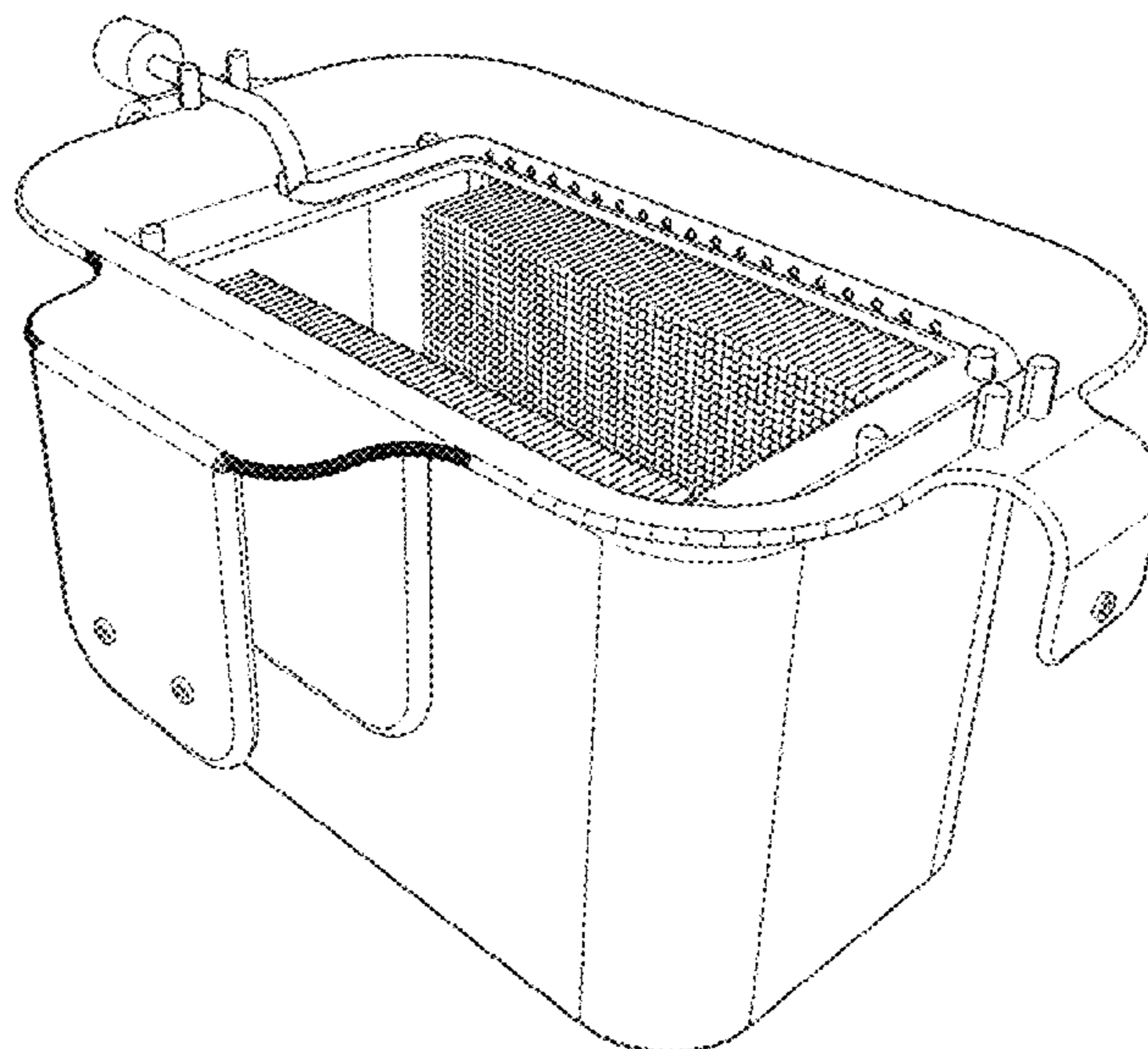
FIG. 1 is a front-top perspective view of the hand washing device.
 FIG. 2 is a front perspective view of the hand washing device.
 FIG. 3 is a back perspective view of the hand washing device.
 FIG. 4 is a left side perspective view of the hand washing device.
 FIG. 5 is a right side perspective view of the hand washing device.
 FIG. 6 is a top perspective view of the hand washing device; and,
 FIG. 7 is a bottom perspective view of the hand washing device.

1 Claim, 7 Drawing Sheets

(56) **References Cited**

U.S. PATENT DOCUMENTS

- 4,056,114 A * 11/1977 Boutillette B08B 3/006
134/104.4
- 5,349,974 A * 9/1994 Mansur B08B 3/006
134/107
- 5,850,842 A * 12/1998 Sweeney B08B 3/047
134/140
- 6,109,277 A * 8/2000 Linton B08B 3/006
134/108
- 6,199,565 B1 * 3/2001 Bluestone B08B 3/006
134/108
- D464,715 S * 10/2002 Zarker D23/284
- 6,609,258 B1 * 8/2003 Clements B08B 3/006
206/576



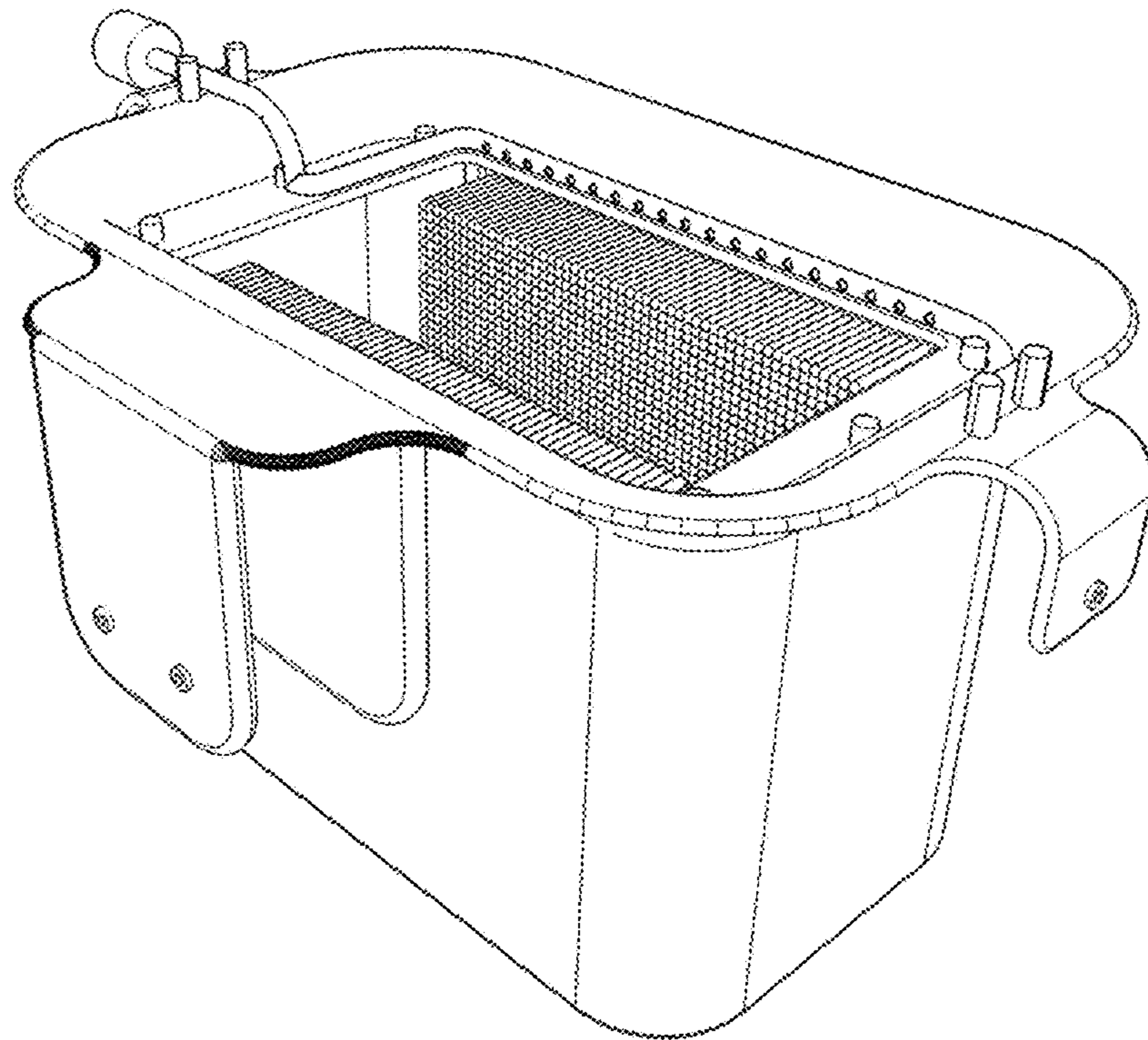


FIGURE 1

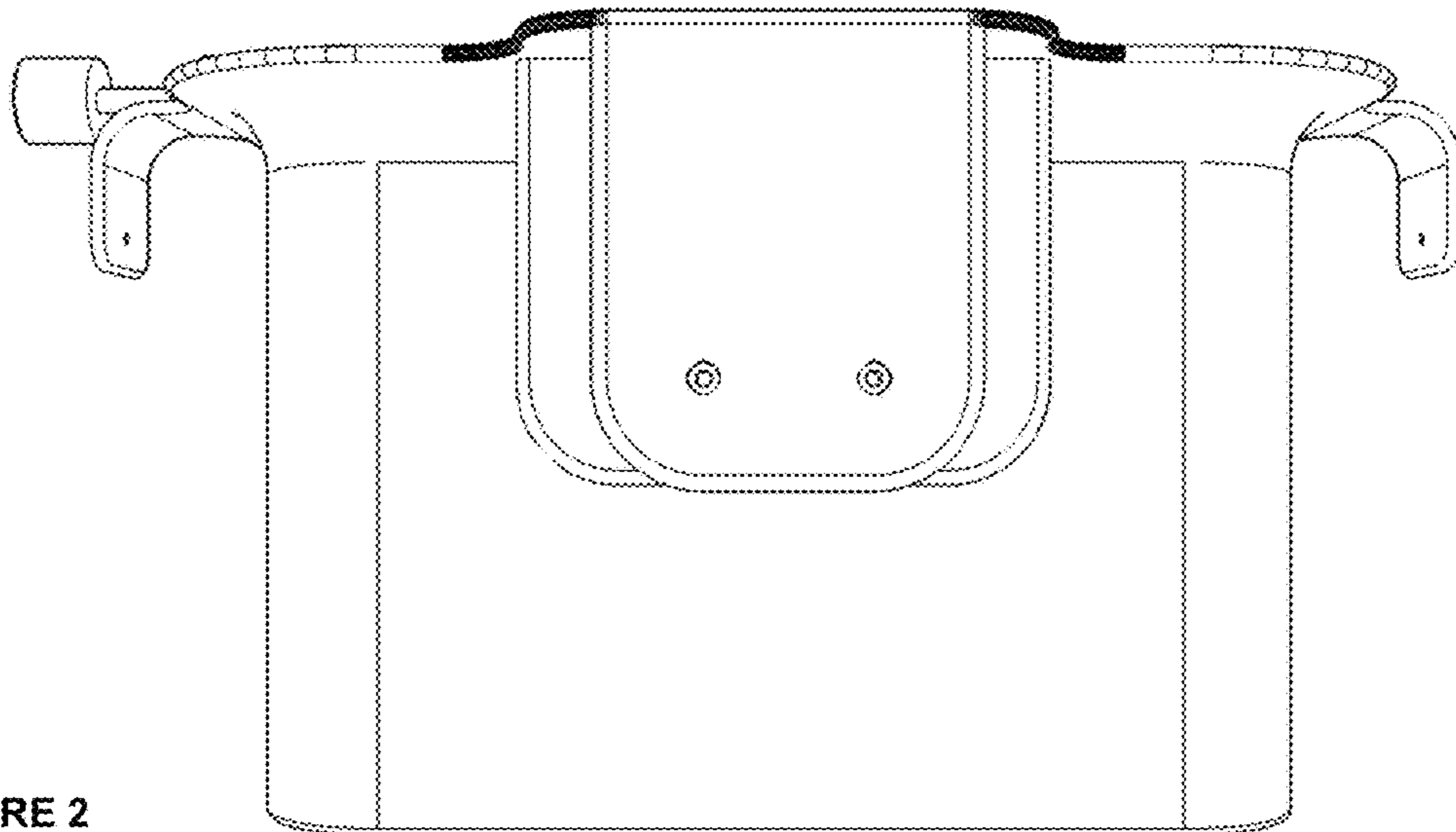


FIGURE 2

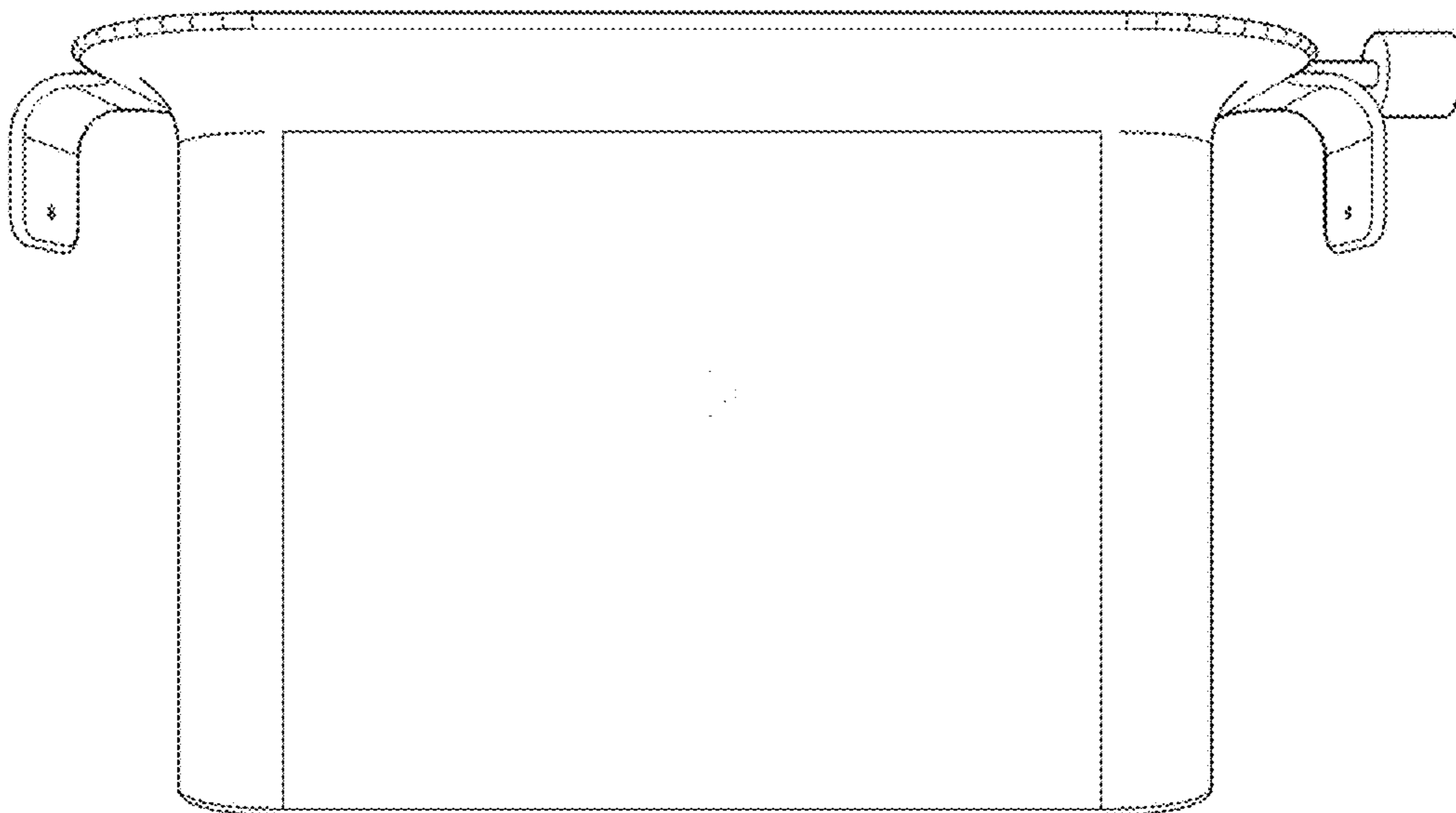


FIGURE 3

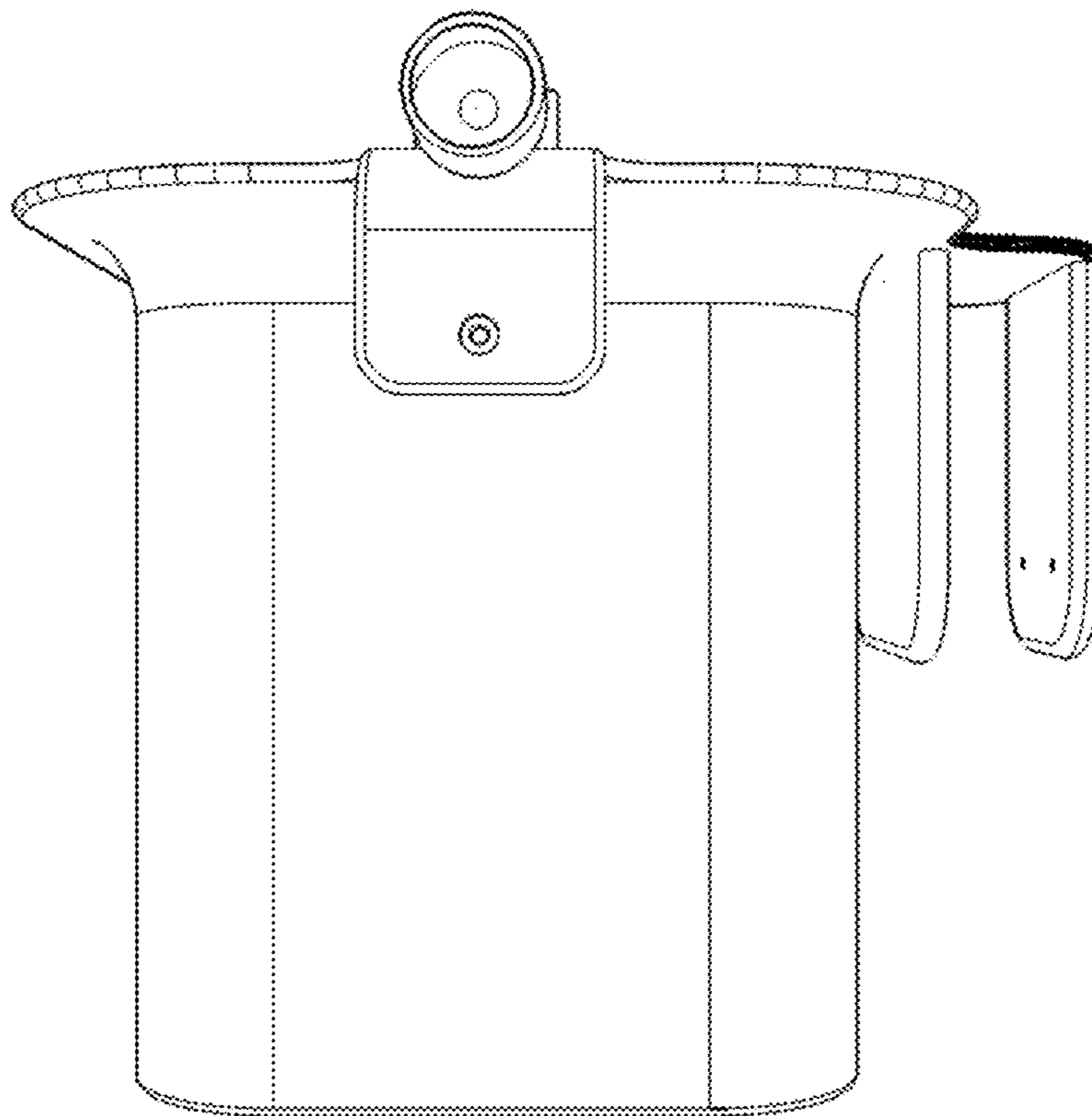


FIGURE 4

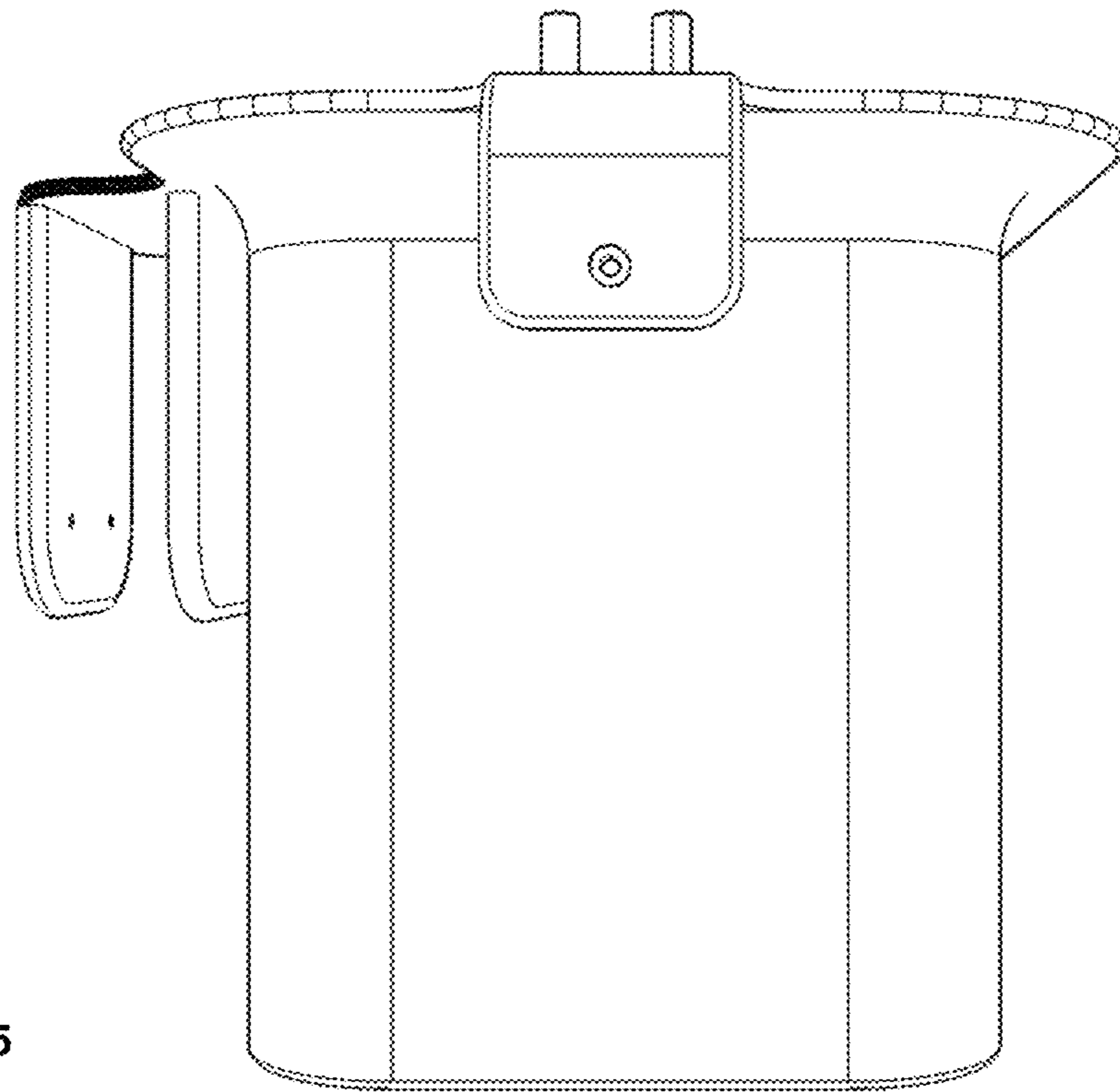


FIGURE 5

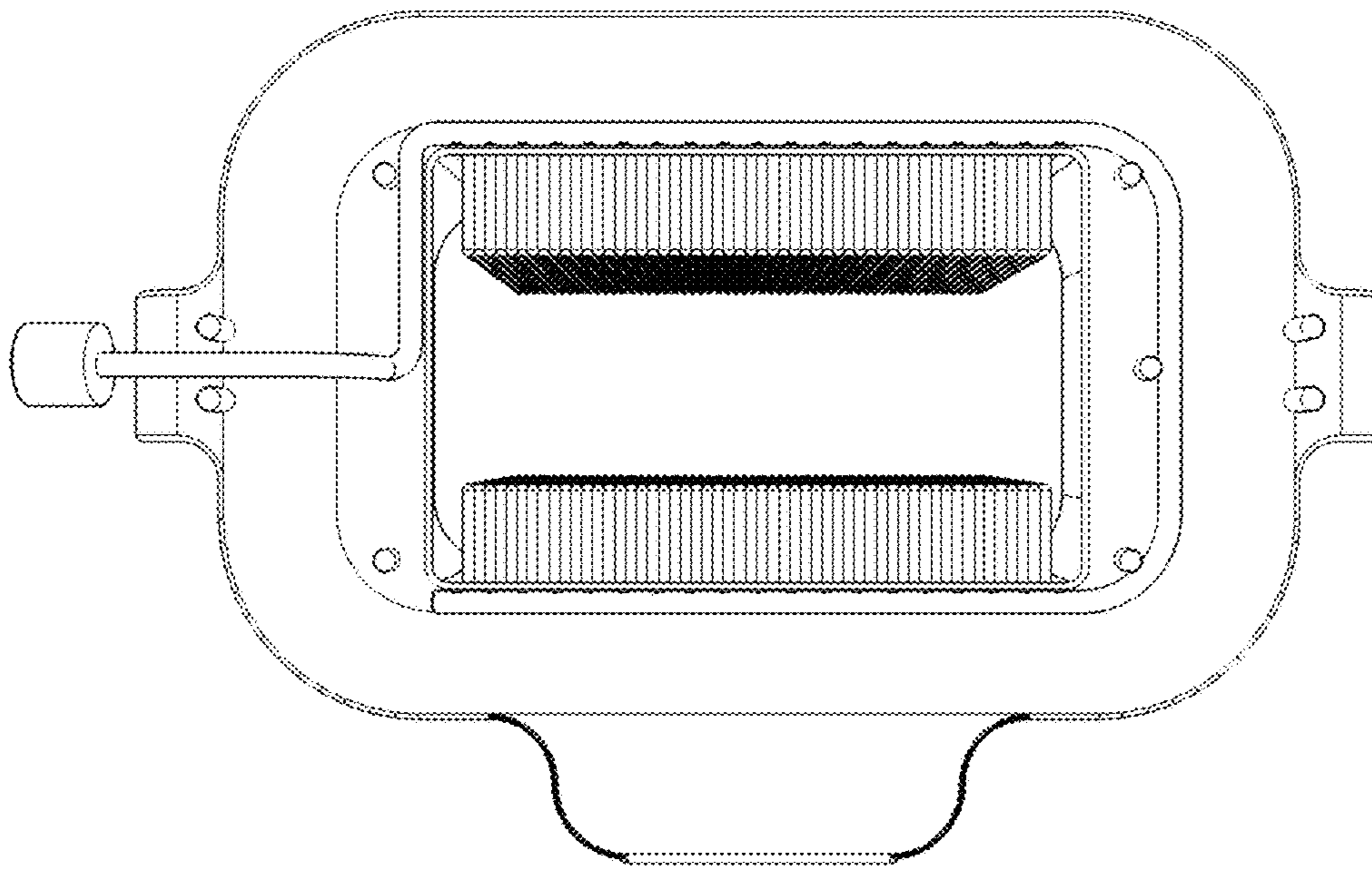


FIGURE 6

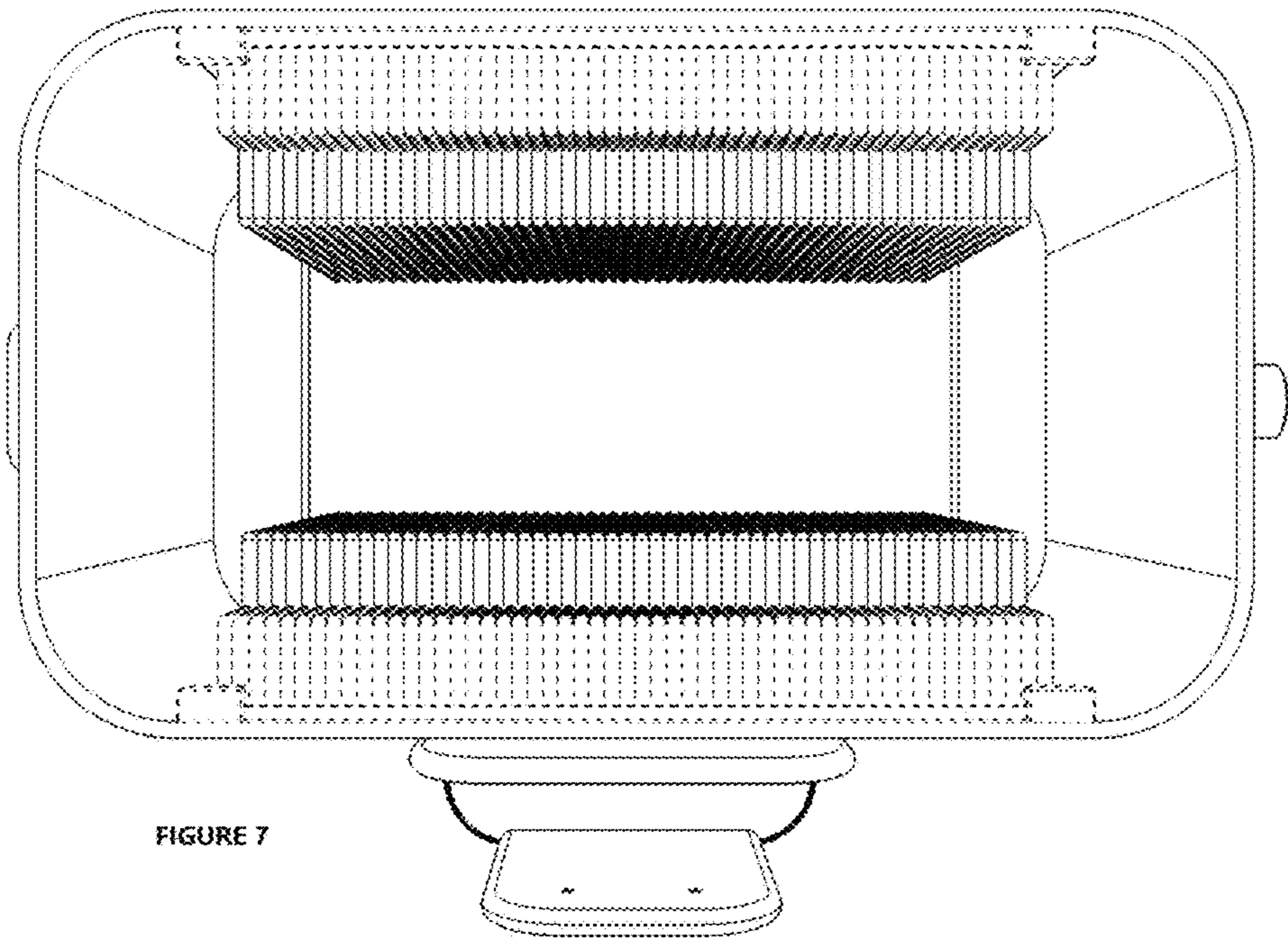


FIGURE 7