



US00D835760S

(12) **United States Design Patent** (10) **Patent No.:** **US D835,760 S**
Miyamoto (45) **Date of Patent:** **** Dec. 11, 2018**

(54) **SEALING RING**

FOREIGN PATENT DOCUMENTS

- (71) Applicant: **Ebara Corporation**, Tokyo (JP)
- (72) Inventor: **Matsutaro Miyamoto**, Tokyo (JP)
- (73) Assignee: **EBARA CORPORATION**, Tokyo (JP)
- (**) Term: **15 Years**
- (21) Appl. No.: **29/619,895**
- (22) Filed: **Oct. 3, 2017**

JP D1362608 S 6/2009
JP D1362609 A 6/2009

Primary Examiner — Eric L Goodman
Assistant Examiner — Amy C Wierenga
(74) *Attorney, Agent, or Firm* — Pearne & Gordon LLP

(57) **CLAIM**

The ornamental design for a sealing ring, as shown and described.

DESCRIPTION

FIG. 1 is a top perspective view of a first embodiment of a sealing ring showing my new design;
FIG. 2 is a bottom perspective view thereof;
FIG. 3 is a top view thereof;
FIG. 4 is a bottom view thereof;
FIG. 5 is a front view thereof;
FIG. 6 is a right side view thereof;
FIG. 7 is a left side view thereof;
FIG. 8 is an enlarged view of portion 8 of FIG. 3;
FIG. 9 is a cross-sectional view thereof taken along section line 9-9 of FIG. 8;
FIG. 10 is a top perspective view of a second embodiment of a sealing ring showing my new design;
FIG. 11 is a bottom perspective view thereof;
FIG. 12 is a top view thereof;
FIG. 13 is a bottom view thereof;
FIG. 14 is a front view thereof;
FIG. 15 is a right side view thereof;
FIG. 16 is a left side view thereof;
FIG. 17 is an enlarged view of portion 17 of FIG. 12; and,
FIG. 18 is a cross-sectional view thereof taken along section line 18-18 of FIG. 17.

The broken lines shown in the drawings illustrate portions of the sealing ring that form no part of the claimed design.

1 Claim, 8 Drawing Sheets

Related U.S. Application Data

- (62) Division of application No. 29/628,860, filed on Apr. 29, 2016, now Pat. No. Des. 802,723.

(30) **Foreign Application Priority Data**

Nov. 27, 2015 (JP) 2015-026515
Nov. 27, 2015 (JP) 2015-026516
(Continued)

(51) **LOC (11) Cl.** **23-01**

(52) **U.S. Cl.**
USPC **D23/269**

(58) **Field of Classification Search**
USPC D23/259, 269, 262; 277/311, 351-354,
277/357-358, 433-434, 458, 604, 305,
(Continued)

(56) **References Cited**

U.S. PATENT DOCUMENTS

2,954,264 A * 9/1960 Tisch F16J 15/32
277/630
3,776,559 A * 12/1973 Cawthorn F16J 15/4474
277/419

(Continued)



(30) **Foreign Application Priority Data**

Nov. 27, 2015 (JP) 2015-026517
 Nov. 27, 2015 (JP) 2015-026518

(58) **Field of Classification Search**

USPC 277/314, 316, 361-364, 374, 382,
 277/393-395, 397, 399, 416-420, 465,
 277/479, 487, 504, 512, 521, 543-549;
 285/105, 110, 337, 339, 368, 374
 CPC F16J 15/02; F16J 15/06; F16J 15/08; F16J
 15/18; F16J 15/20; F16J 15/24; F16J
 15/106; F16J 15/164; F16J 15/441; F16J
 15/025; F16J 15/10; F16J 15/061; F16J
 15/002; F16J 15/102; F16J 15/104; F16L
 15/121; F16L 21/007; F16L 21/08; F16L
 21/035; F16L 21/04; F16L 9/045; F16L
 37/0845; F16K 5/0207; F16K 5/0271;
 F16K 5/0457; F16K 5/0478; F16K
 5/0689

See application file for complete search history.

(56) **References Cited**

U.S. PATENT DOCUMENTS

4,421,329 A * 12/1983 Jelinek F16J 15/3272
 277/560

5,172,921 A * 12/1992 Stenlund F16J 15/32
 277/300
 D374,710 S * 10/1996 Gustafsson D23/269
 D379,588 S 6/1997 Pledger et al.
 D391,628 S * 3/1998 Carwile D23/269
 6,213,273 B1 * 4/2001 Menard F16D 13/64
 192/107 M
 D449,621 S * 10/2001 Hamlin D15/5
 D631,948 S 2/2011 Yoshida et al.
 D633,991 S 3/2011 Nakagawa
 D638,522 S 5/2011 Yoshida
 D638,523 S 5/2011 Yoshida
 D649,986 S 12/2011 Fujikata
 D655,401 S 3/2012 Muramatsu
 D655,797 S 3/2012 Muramatsu
 D659,175 S * 5/2012 Fujikata D15/138
 D705,280 S 5/2014 Kimura
 D743,513 S 11/2015 Yamagishi et al.
 D753,736 S 4/2016 Shinozaki
 D754,308 S 4/2016 Nakagawa
 D767,234 S 9/2016 Kirkland et al.
 D802,723 S * 11/2017 Miyamoto D23/269
 D815,385 S * 4/2018 Kirkland D34/29
 2013/0043656 A1 * 2/2013 Copeland F16L 37/0845
 277/314
 2017/0138483 A1 * 5/2017 Watanabe F16J 15/164

* cited by examiner

FIG.1



FIG.2

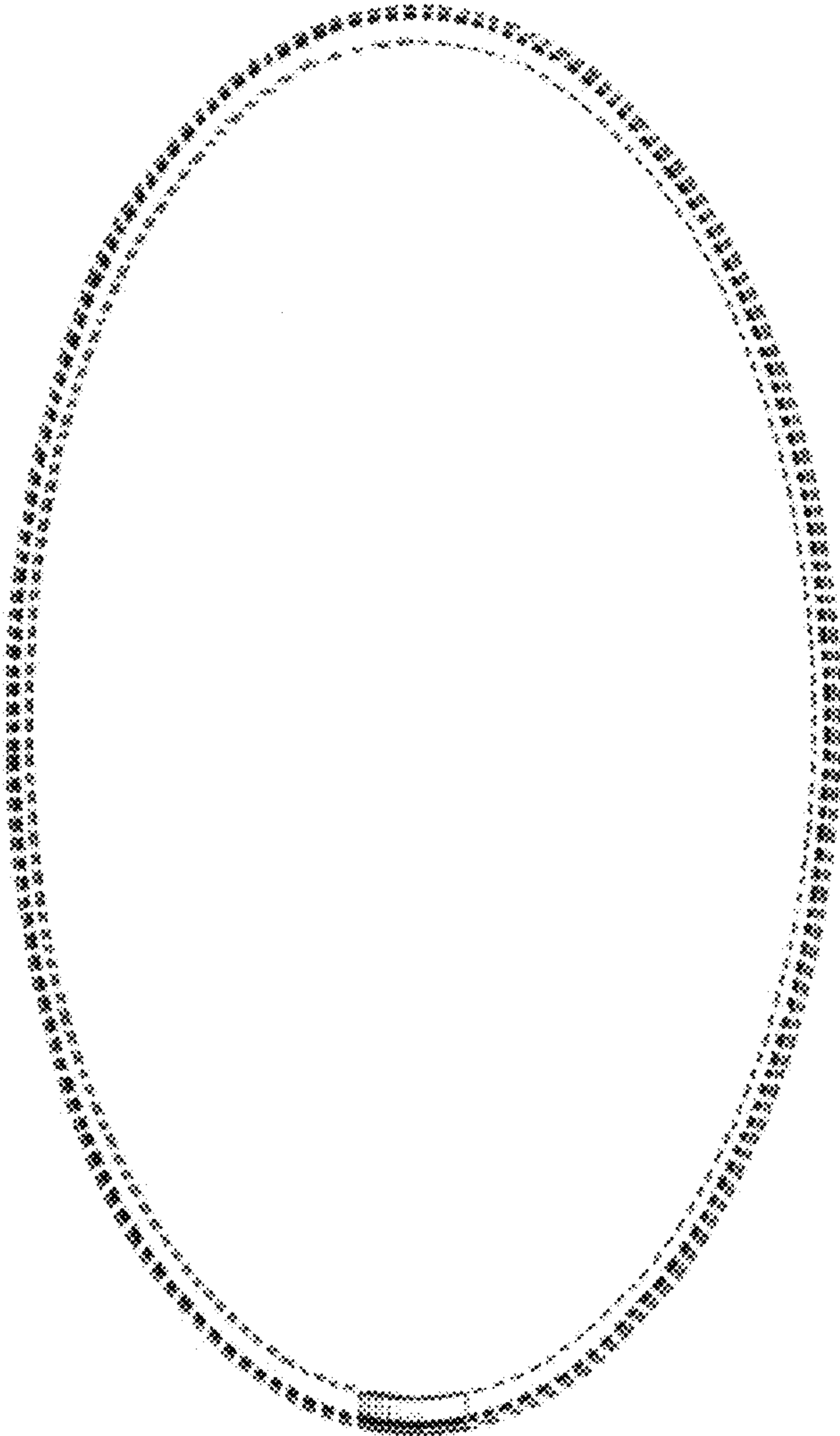


FIG.3

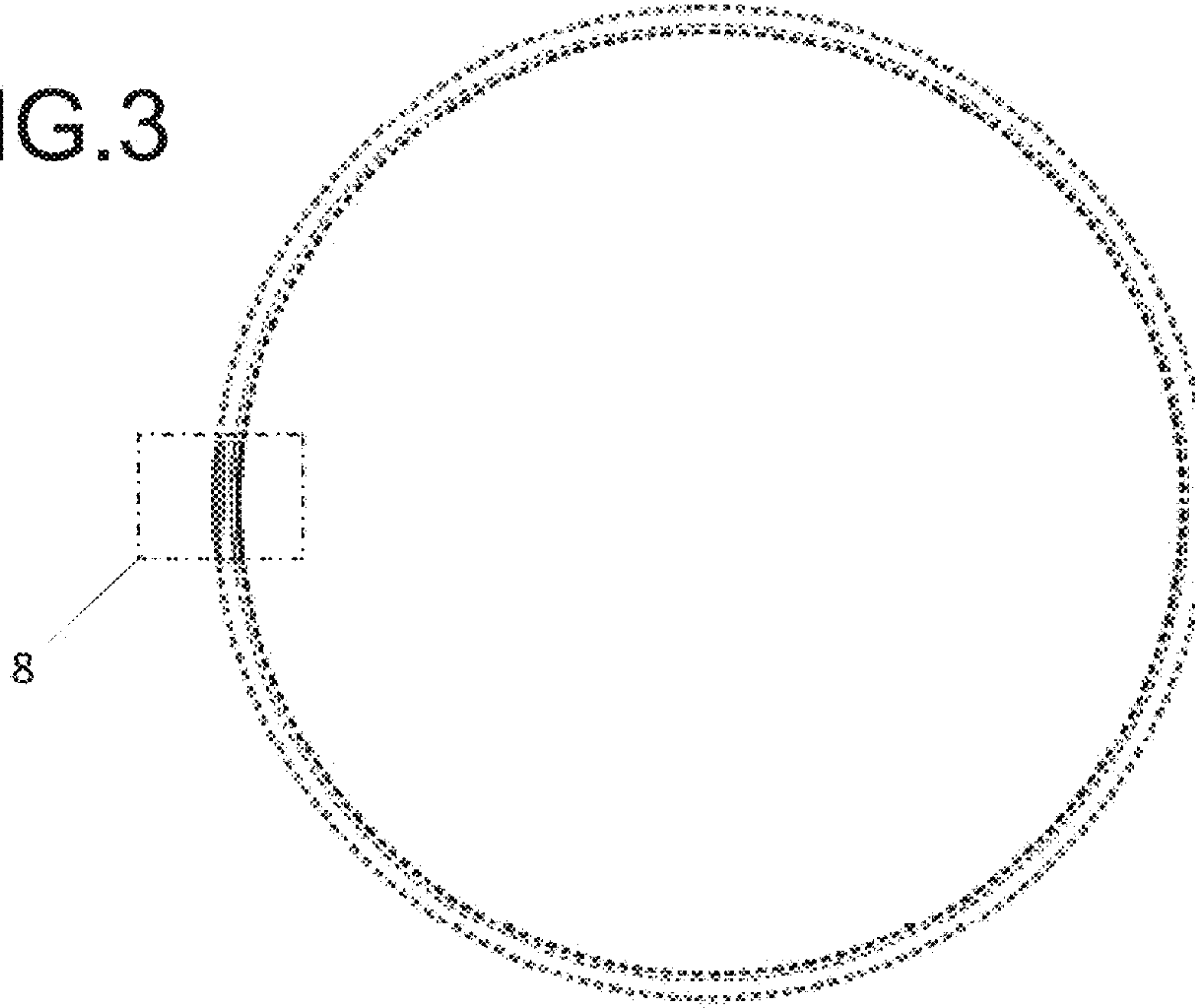


FIG.4

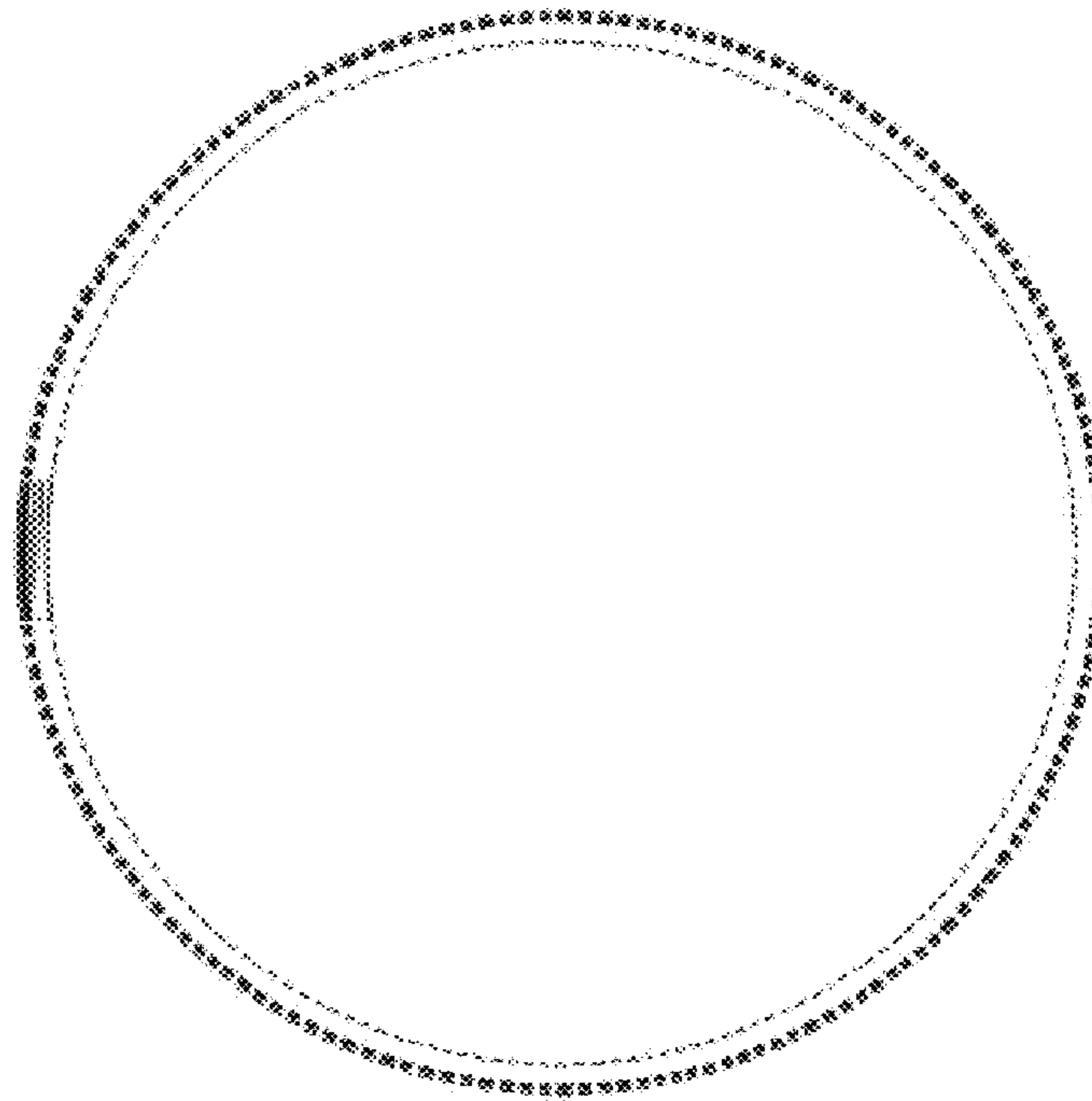


FIG.5

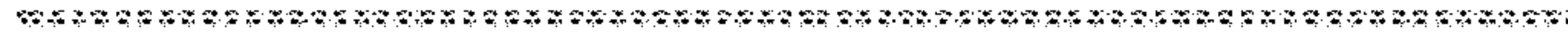


FIG.6

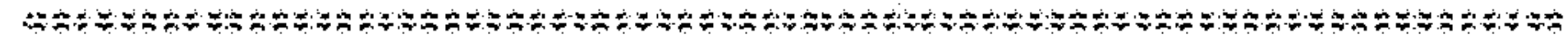


FIG.7



FIG.8

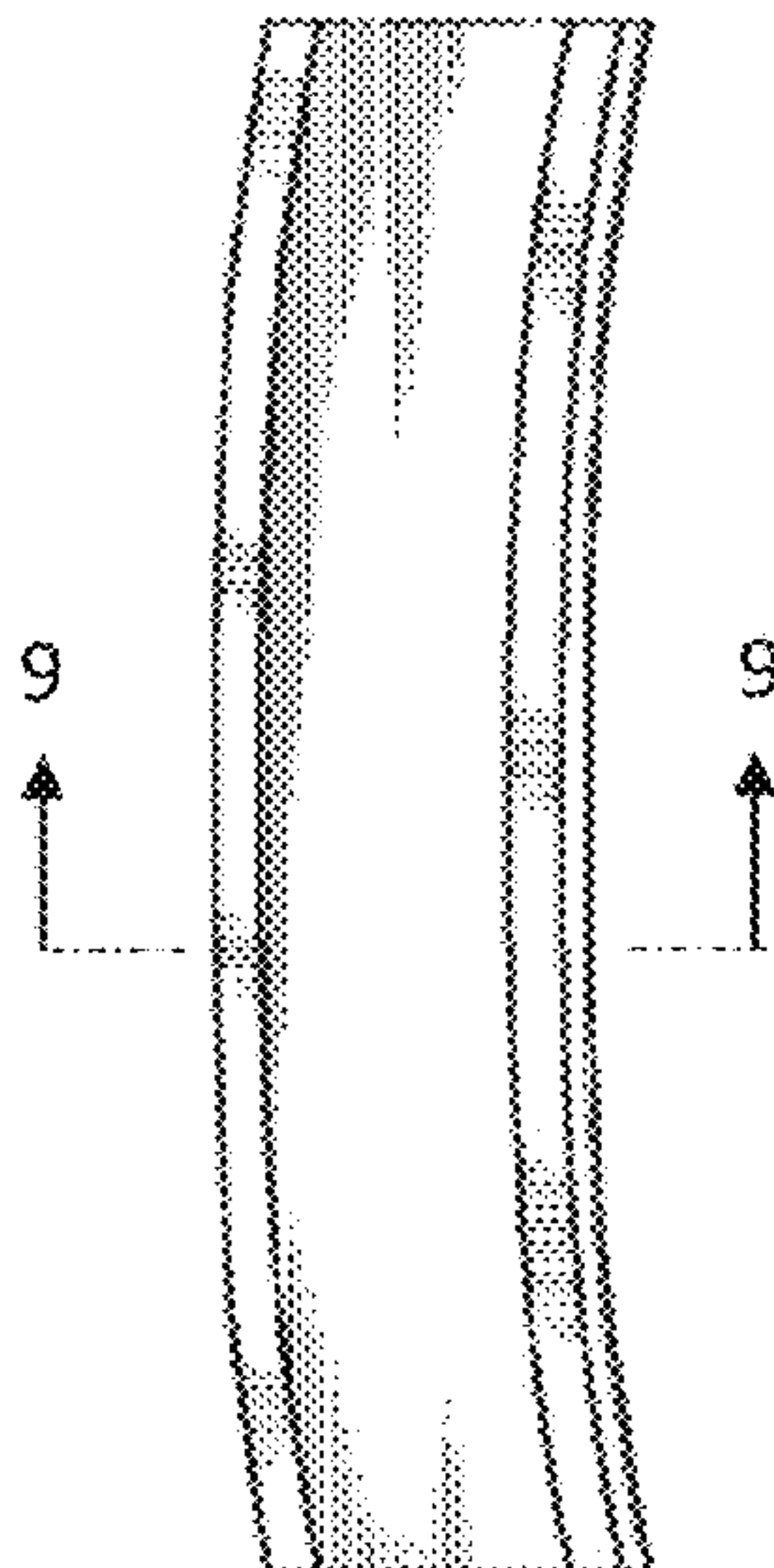


FIG.9



FIG.10



FIG.11



FIG.12

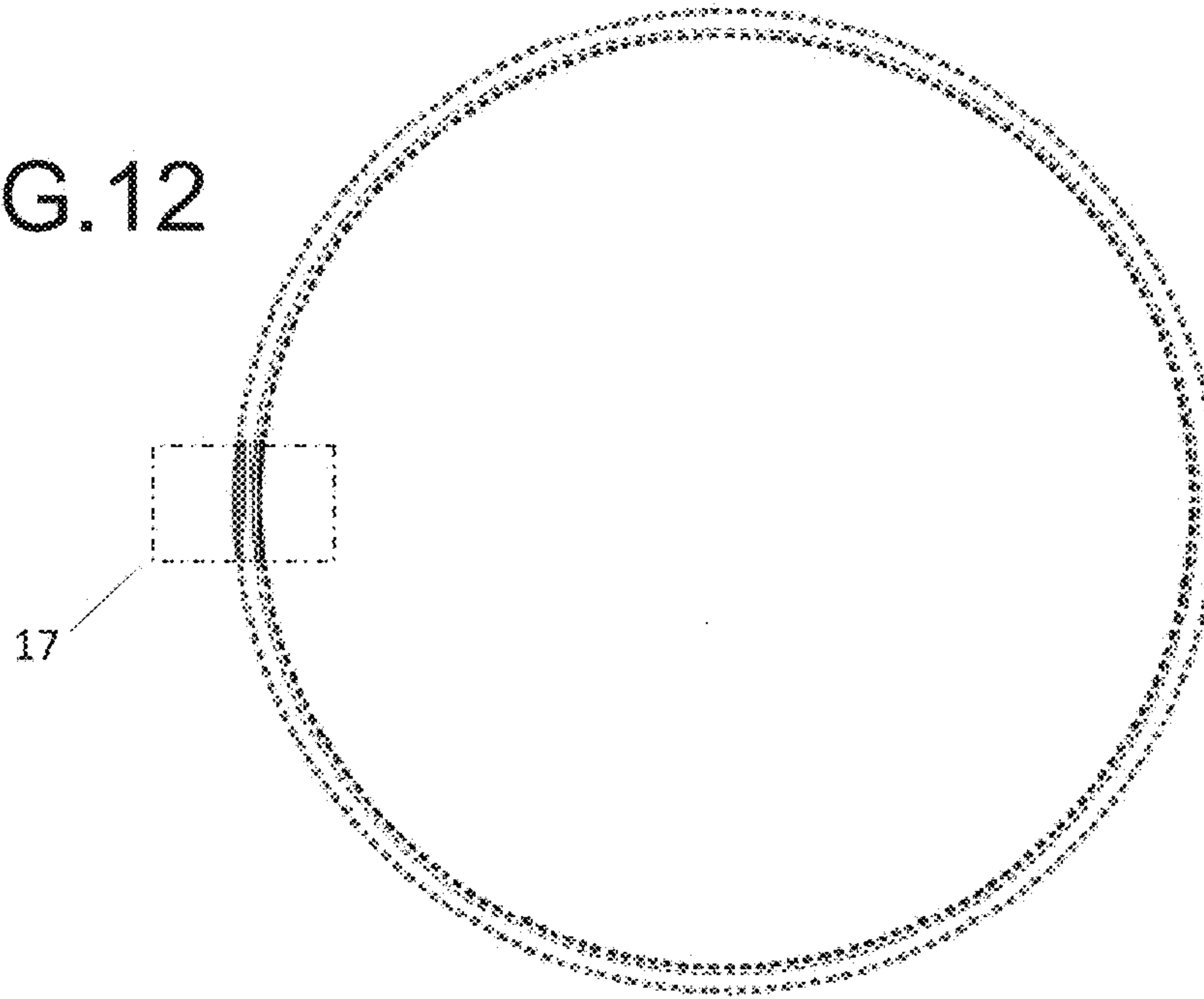


FIG.13

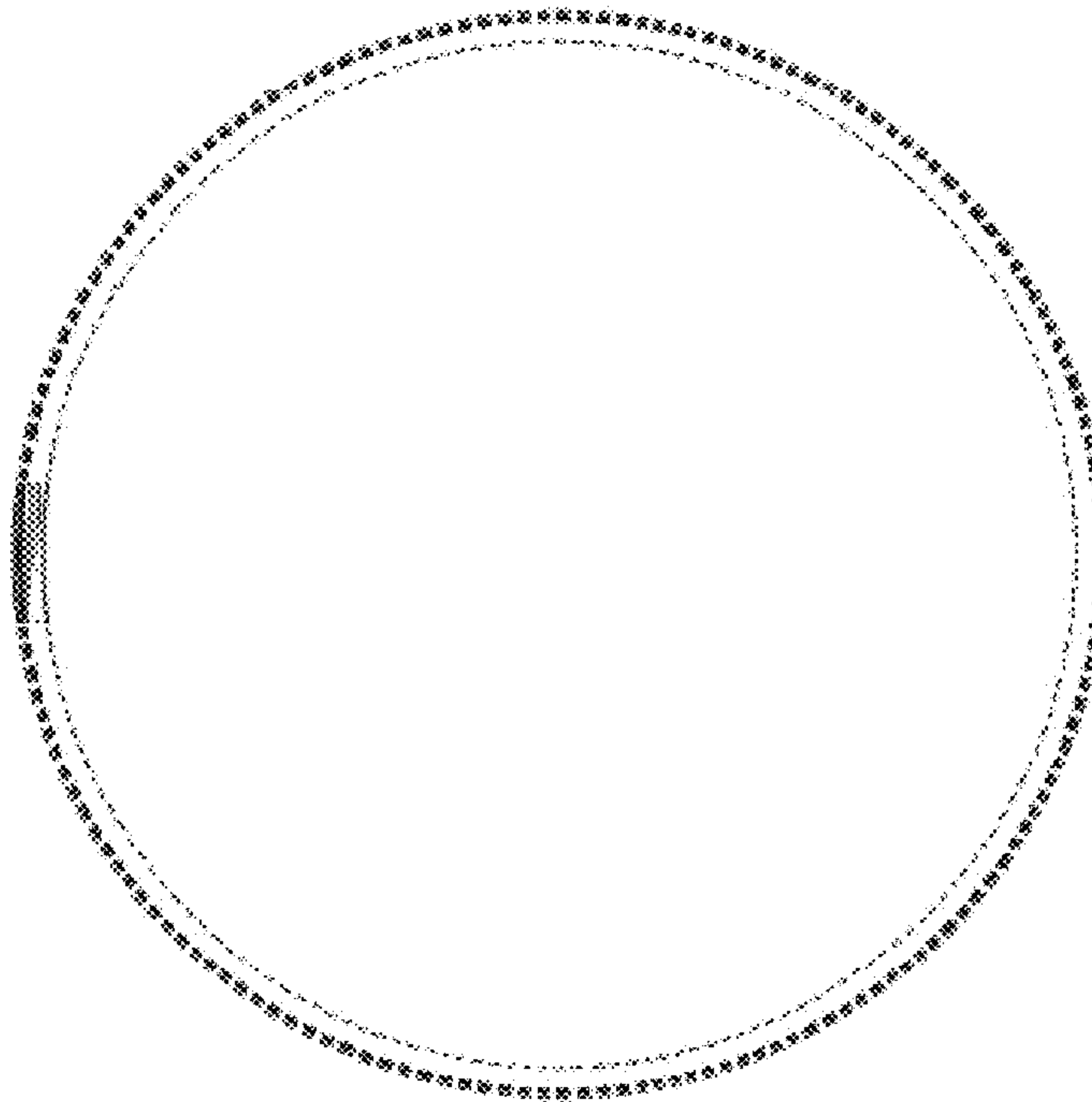


FIG.14

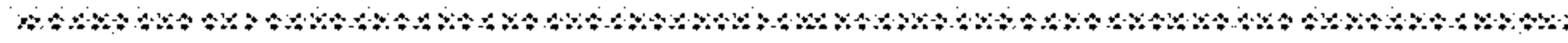


FIG.15

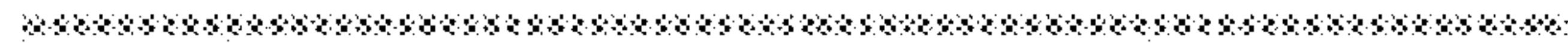


FIG.16

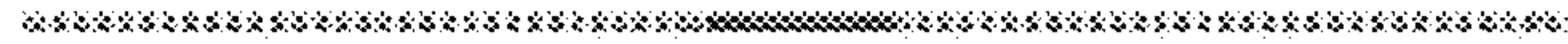


FIG.17

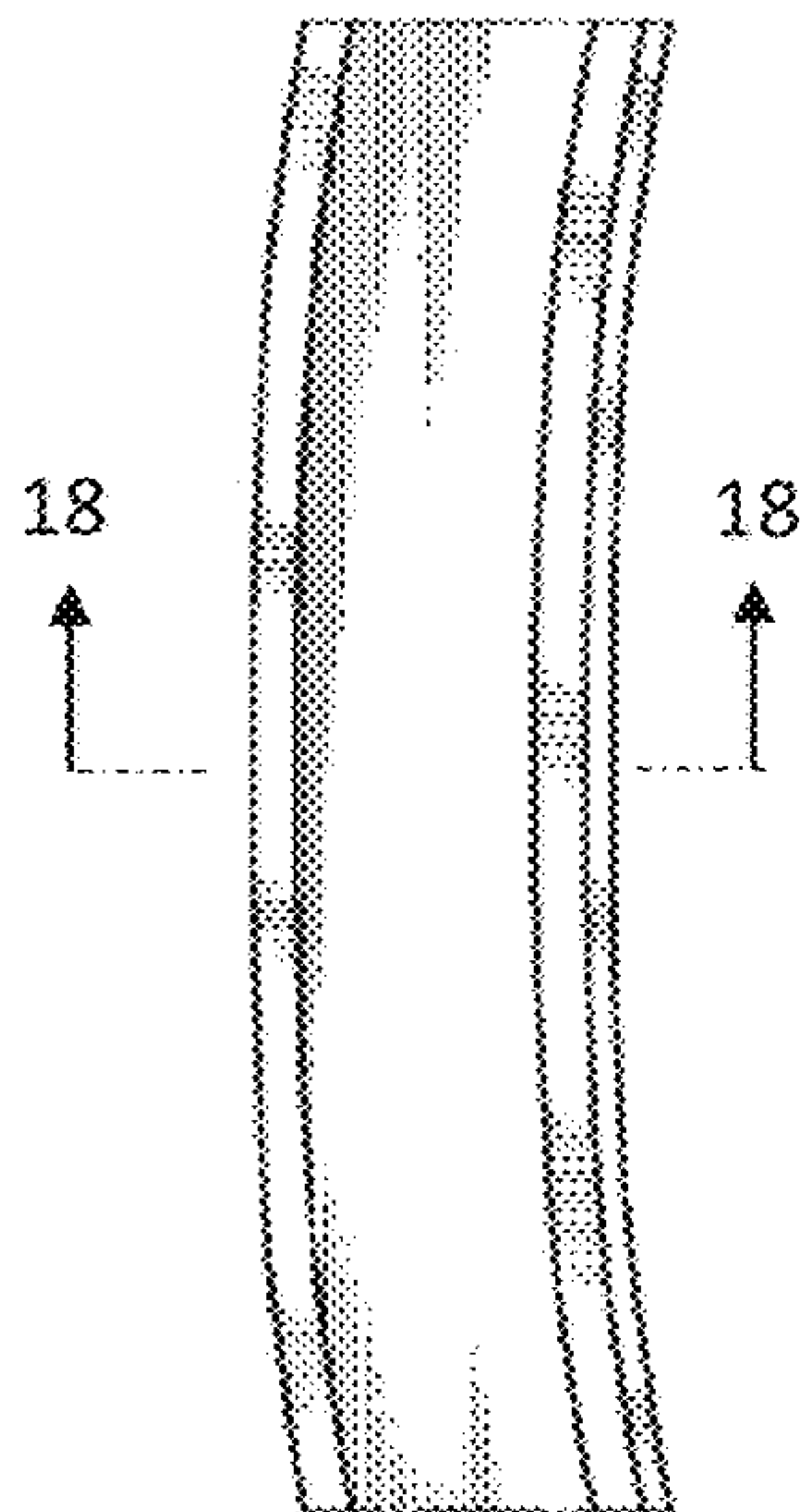


FIG.18



UNITED STATES PATENT AND TRADEMARK OFFICE
CERTIFICATE OF CORRECTION

PATENT NO. : D835,760 S
APPLICATION NO. : 29/619895
DATED : December 11, 2018
INVENTOR(S) : Matsutaro Miyamoto

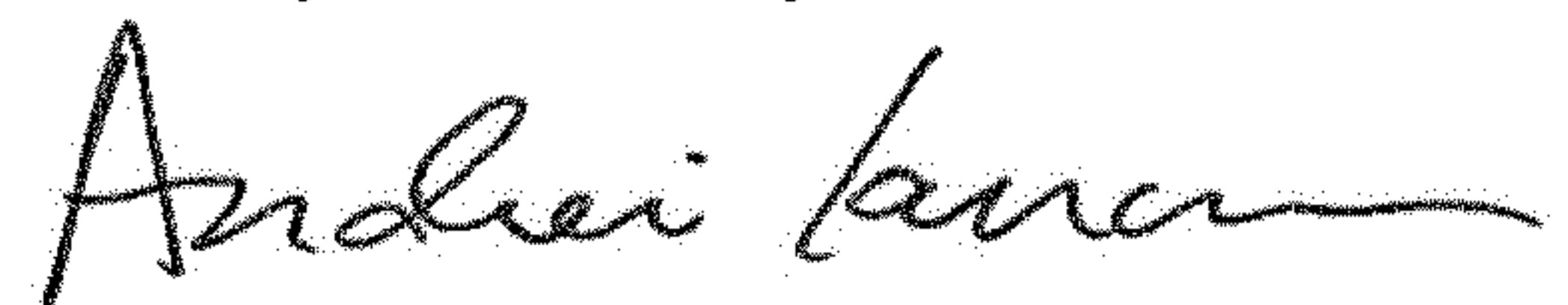
Page 1 of 1

It is certified that error appears in the above-identified patent and that said Letters Patent is hereby corrected as shown below:

On the Title Page

At item (62) please replace "29/628,860" with --29/562,860--

Signed and Sealed this
Twenty-sixth Day of March, 2019



Andrei Iancu
Director of the United States Patent and Trademark Office