



US00D835759S

(12) **United States Design Patent** (10) **Patent No.:** **US D835,759 S**  
**Schoenherr et al.** (45) **Date of Patent:** **\*\* Dec. 11, 2018**

(54) **FAUCET HANDLE**

D757,225 S \* 5/2016 Schoenherr ..... D23/252  
D782,618 S \* 3/2017 Hong ..... D23/252  
D810,243 S \* 2/2018 Schoenherr ..... D23/242

(71) Applicant: **Hansgrohe SE**, Schiltach (DE)

(72) Inventors: **Tom Schoenherr**, Stuttgart (DE);  
**Andreas Diefenbach**,  
Ludwigsburg-Oßweil (DE); **Marc**  
**Michalak**, Kornwestheim (DE)

(73) Assignee: **Hansgrohe SE**, Schiltach (DE)

(\*\*) Term: **15 Years**

(21) Appl. No.: **29/611,148**

(22) Filed: **Jul. 19, 2017**

(30) **Foreign Application Priority Data**

Jan. 26, 2017 (EM) ..... 001456776-0012

(51) **LOC (11) Cl.** ..... **23-01**

(52) **U.S. Cl.**  
USPC ..... **D23/252**

(58) **Field of Classification Search**  
USPC ..... D23/238, 241–243, 249–252, 254;  
D8/307–308

CPC ..... E03C 1/04; E03C 1/0401; E03C 1/0402;  
E03C 1/0404; E03C 1/0405; E03C  
1/0412; Y10T 137/9464; C02F 2307/06  
See application file for complete search history.

(56) **References Cited**

**U.S. PATENT DOCUMENTS**

D357,304 S \* 4/1995 Haug ..... D23/252  
D579,528 S \* 10/2008 Citterio ..... D23/252

**FOREIGN PATENT DOCUMENTS**

CN 302416420 4/2013  
EM 002094656-0012 5/2012  
EM 002163337-0004 1/2013  
EM 002648758-0010 3/2015

\* cited by examiner

*Primary Examiner* — Robert A Delehanty

(74) *Attorney, Agent, or Firm* — Lora J. Graentzdoerffer

(57) **CLAIM**

The ornamental design for a faucet handle, as shown and described.

**DESCRIPTION**

FIG. 1 is a perspective view;  
FIG. 2 is a front elevation view;  
FIG. 3 is a rear elevation view;  
FIG. 4 is a side elevation view;  
FIG. 5 is a top plan view; and,  
FIG. 6 is a bottom plan view.  
The broken lines indicate portions of the faucet handle which form no part of the claimed design.

**1 Claim, 6 Drawing Sheets**

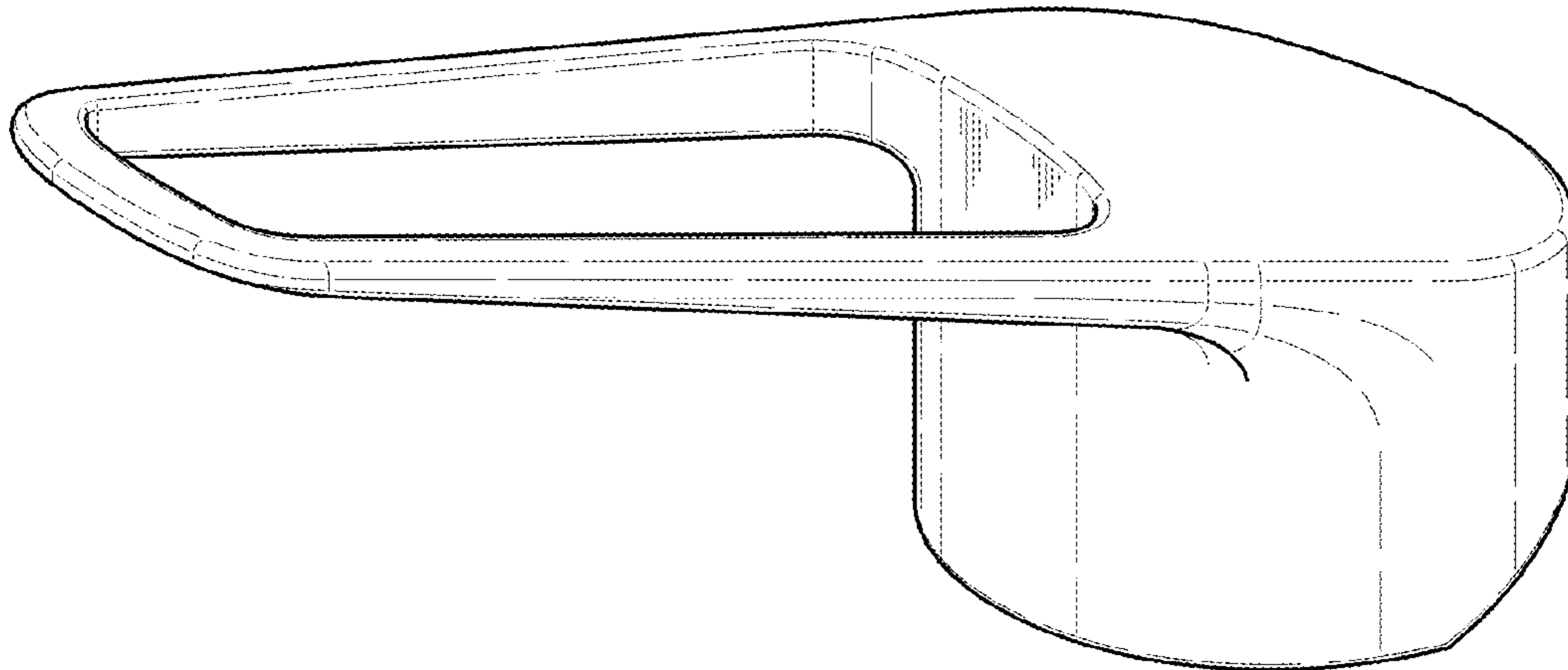


FIG. 1

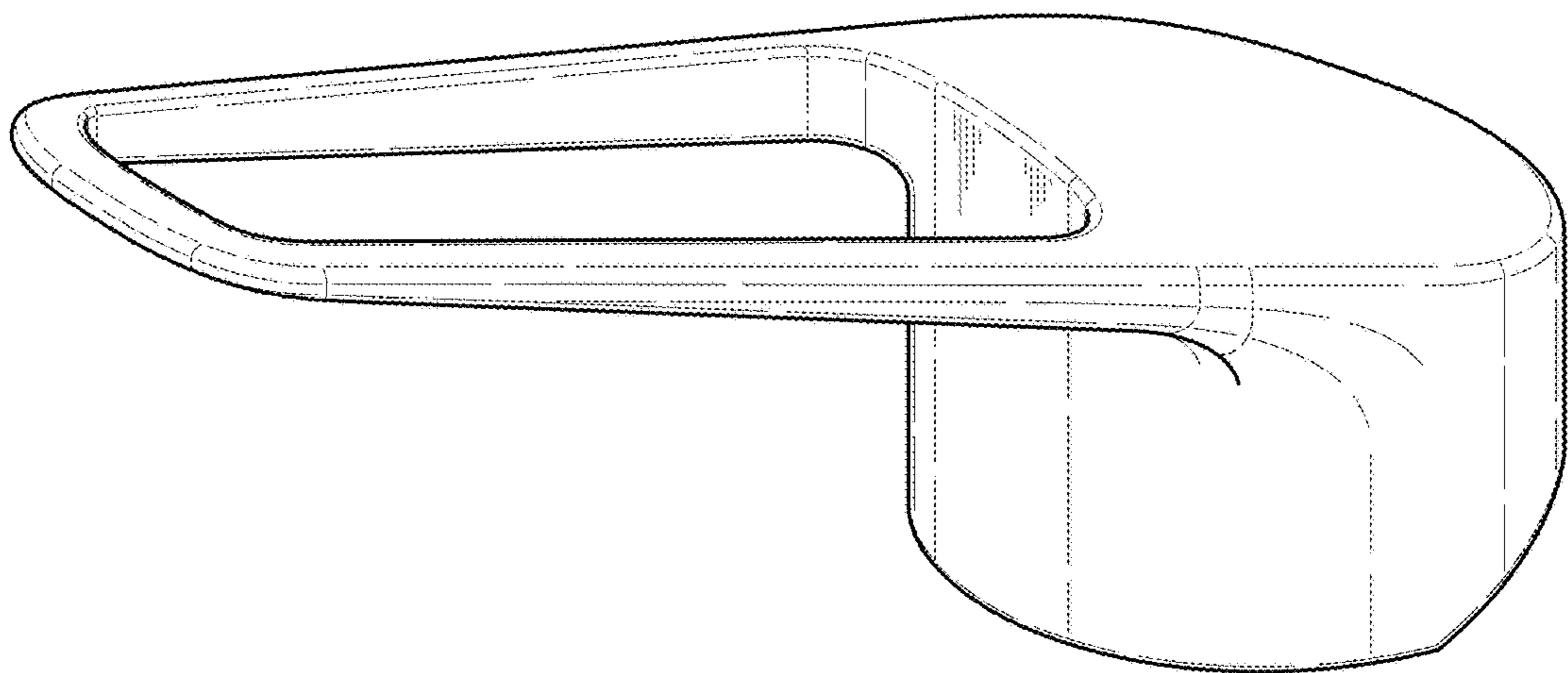


FIG. 2

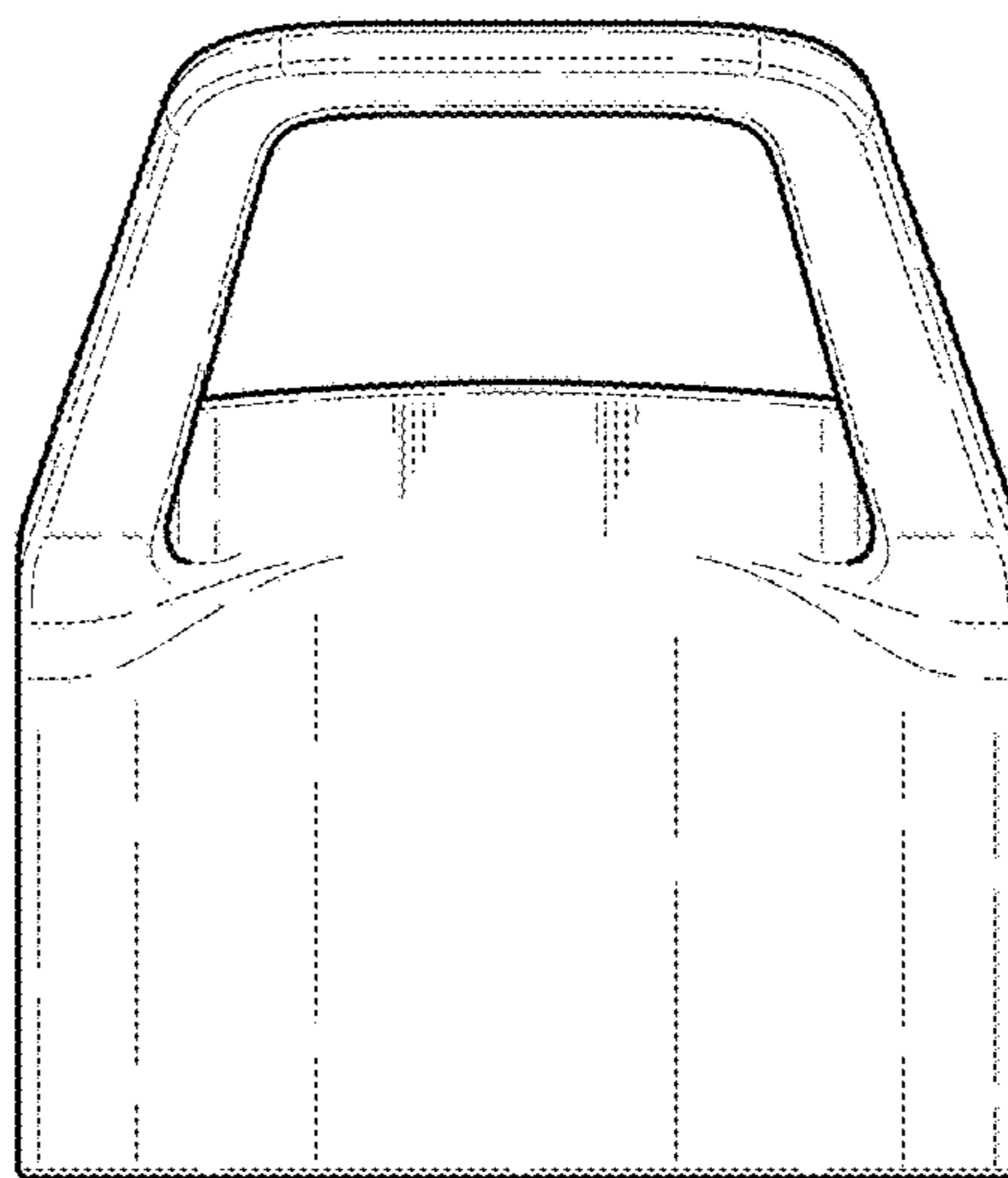


FIG. 3

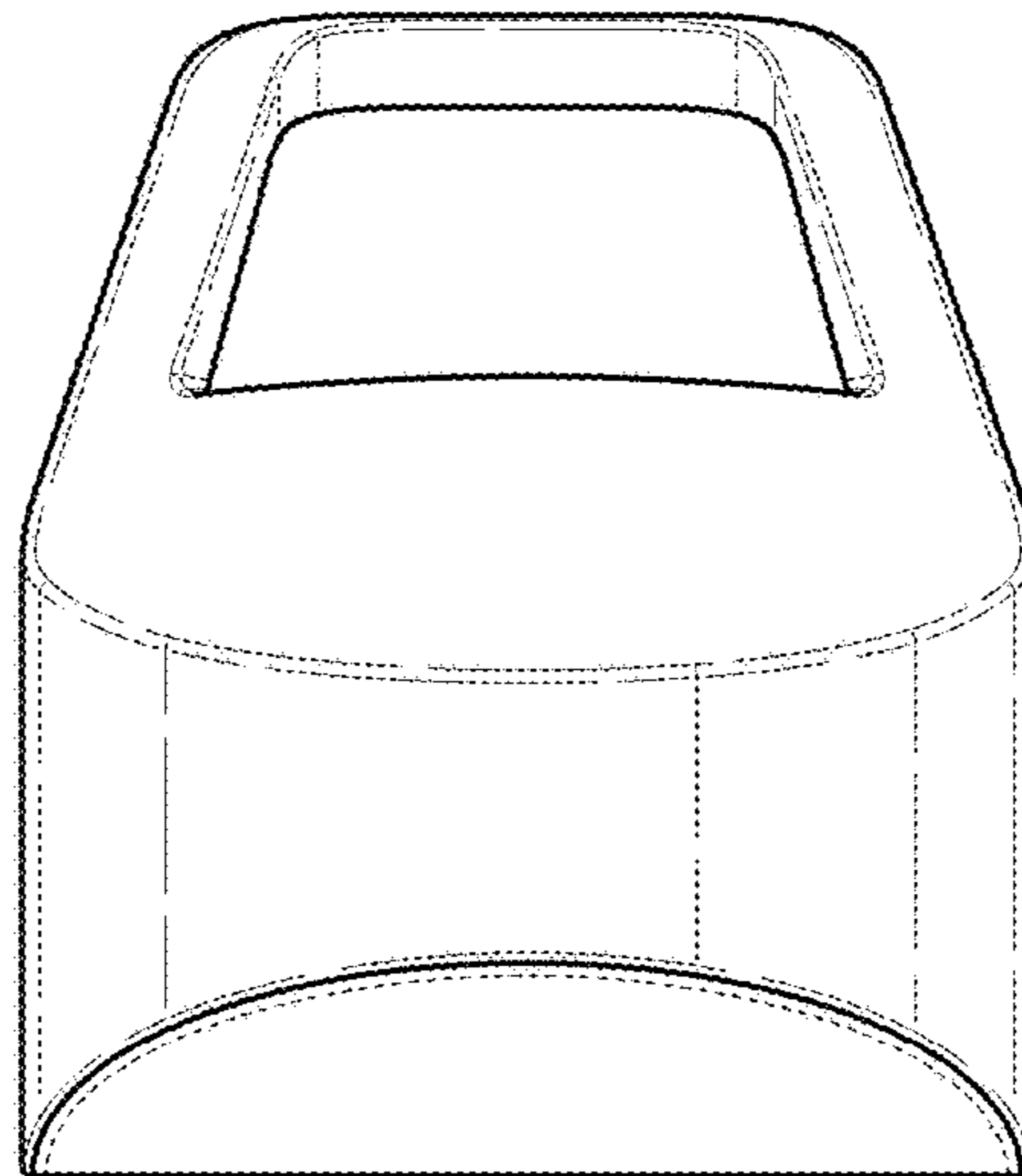


FIG. 4

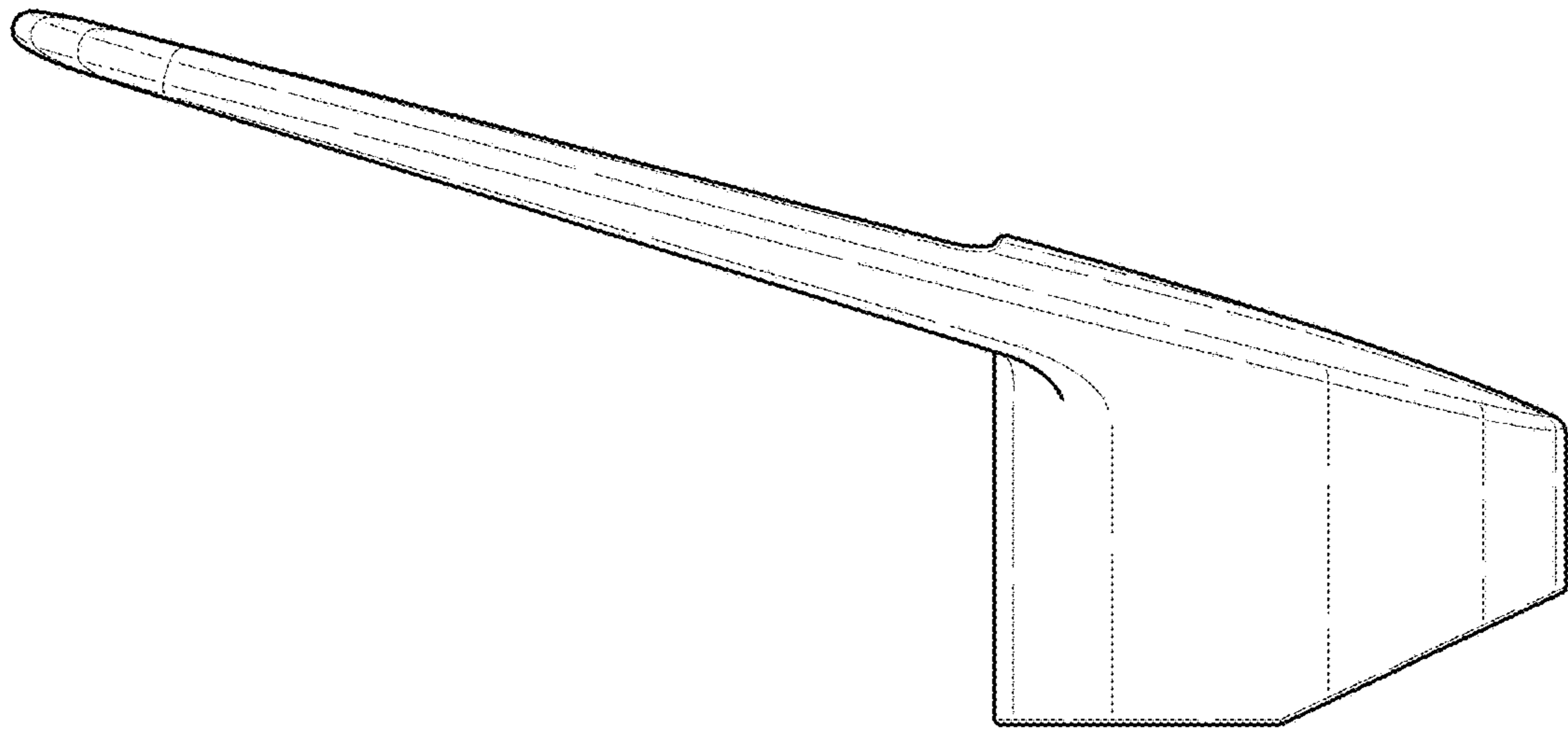


FIG. 5

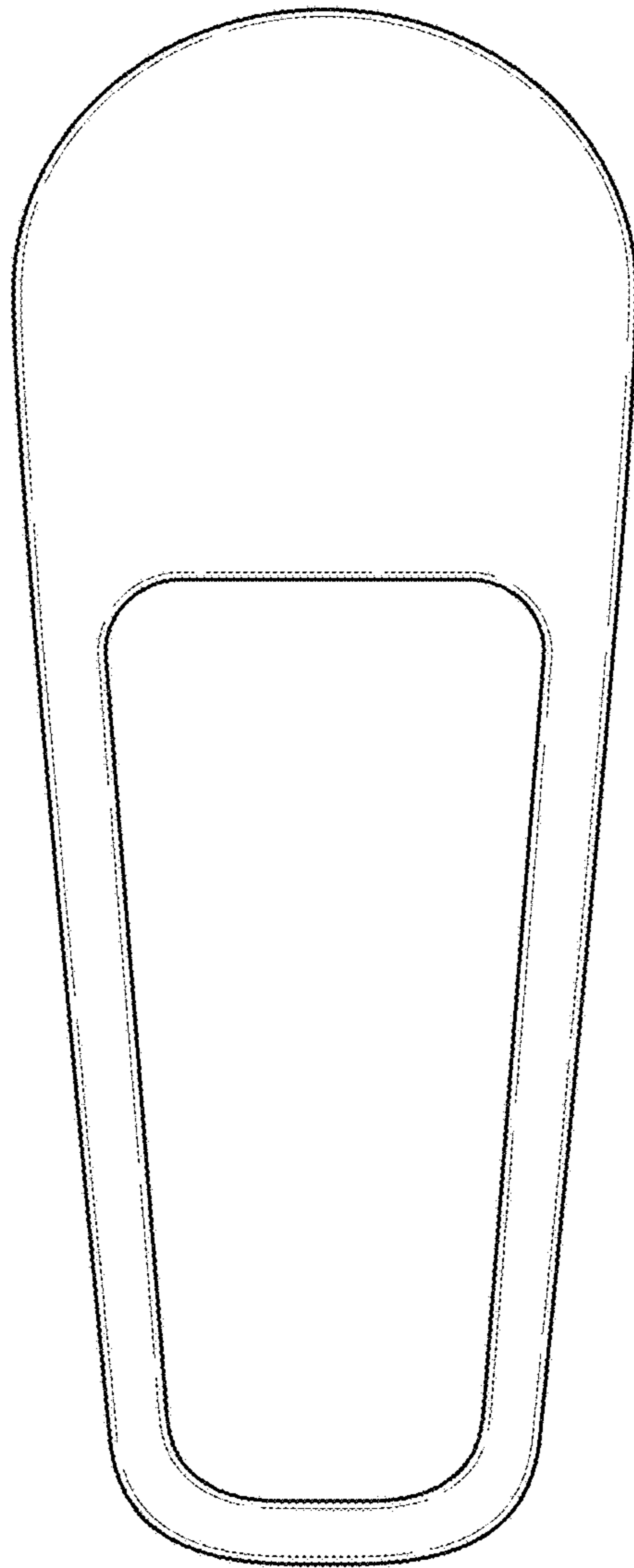


FIG. 6

