



US00D835757S

(12) **United States Design Patent**
Schoenherr et al.

(10) **Patent No.:** **US D835,757 S**

(45) **Date of Patent:** **** Dec. 11, 2018**

(54) **FAUCET**

(71) Applicant: **Hansgrohe SE**, Schiltach (DE)

(72) Inventors: **Tom Schoenherr**, Stuttgart (DE);
Andreas Diefenbach,
Ludwigsburg-Oßweil (DE); **Marc**
Michalak, Kornwestheim (DE)

(73) Assignee: **Hansgrohe SE**, Schiltach (DE)

(**) Term: **15 Years**

(21) Appl. No.: **29/611,144**

(22) Filed: **Jul. 19, 2017**

(30) **Foreign Application Priority Data**

Jan. 26, 2017 (EM) 001456776-0004

(51) **LOC (11) Cl.** **23-01**

(52) **U.S. Cl.**
USPC **D23/252**

(58) **Field of Classification Search**
USPC D23/238, 241–243, 249–252, 254;
D8/307–308

CPC E03C 1/04; E03C 1/0401; E03C 1/0402;
E03C 1/0404; E03C 1/0405; E03C 1/042;
Y10T 137/9464; C02F 2307/06

See application file for complete search history.

(56) **References Cited**

U.S. PATENT DOCUMENTS

D538,400 S * 3/2007 Miyamoto D23/241
D579,528 S * 10/2008 Citterio D23/252

D665,882 S * 8/2012 Flowers D23/252
D757,225 S * 5/2016 Schoenherr D23/252
D757,230 S * 5/2016 Schoenherr D23/255
D782,618 S * 3/2017 Hong D23/252

FOREIGN PATENT DOCUMENTS

CN 302589649 9/2013
CN 303648974 4/2016
EM 002648758-0003 3/2015
EM 002649509-0001 3/2015

* cited by examiner

Primary Examiner — Robert A Delehanty

(74) *Attorney, Agent, or Firm* — Lora J. Graentzdoerffer

(57) **CLAIM**

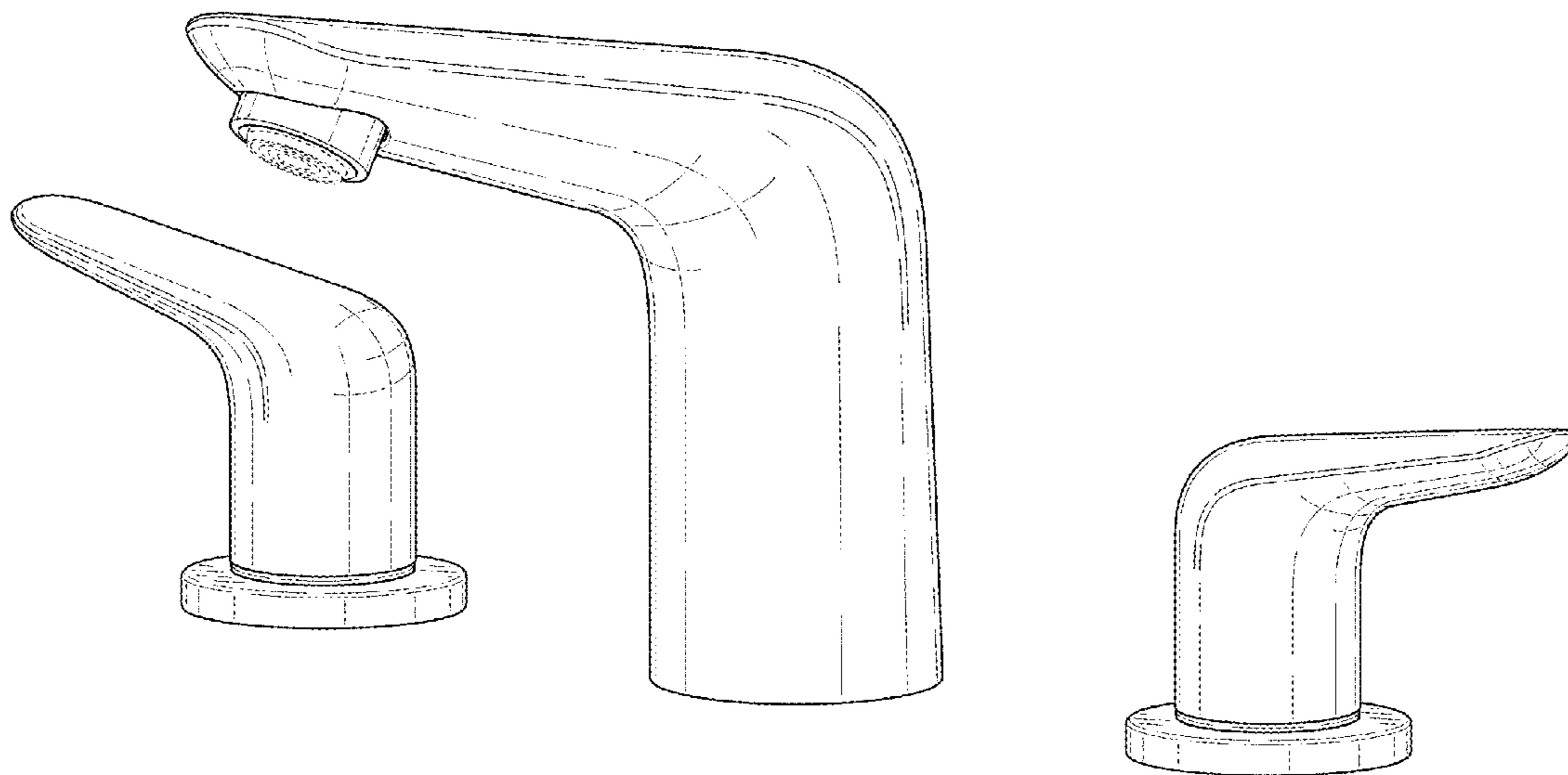
The ornamental design for a faucet, as shown and described.

DESCRIPTION

FIG. 1 is a perspective view;
FIG. 2 is a front elevation view;
FIG. 3 is a rear elevation view;
FIG. 4 is a side elevation view;
FIG. 5 is a top plan view; and,
FIG. 6 is a bottom plan view.

The broken lines indicate portions of the faucet which form no part of the claimed design.

1 Claim, 6 Drawing Sheets



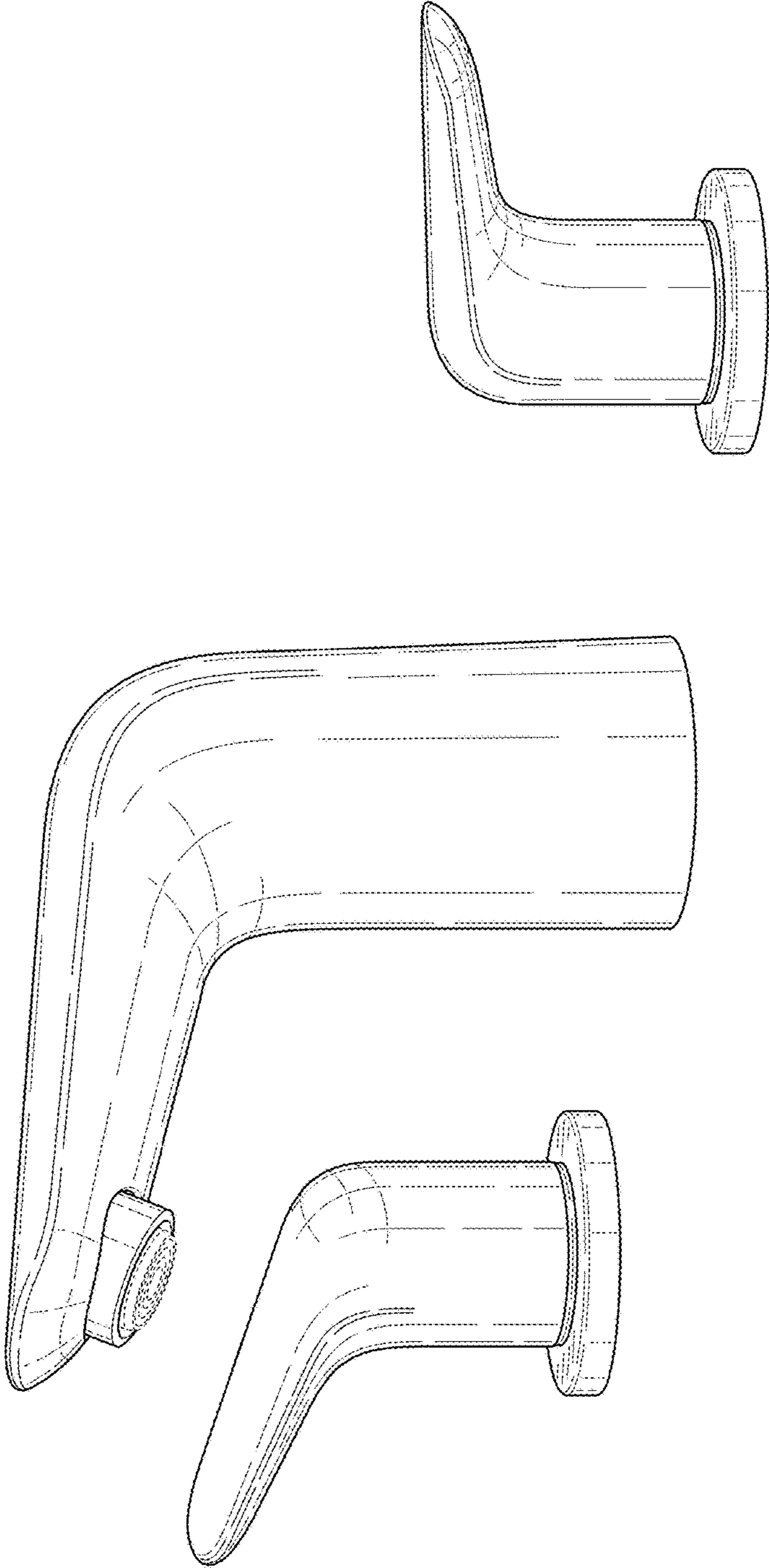


FIG. 1

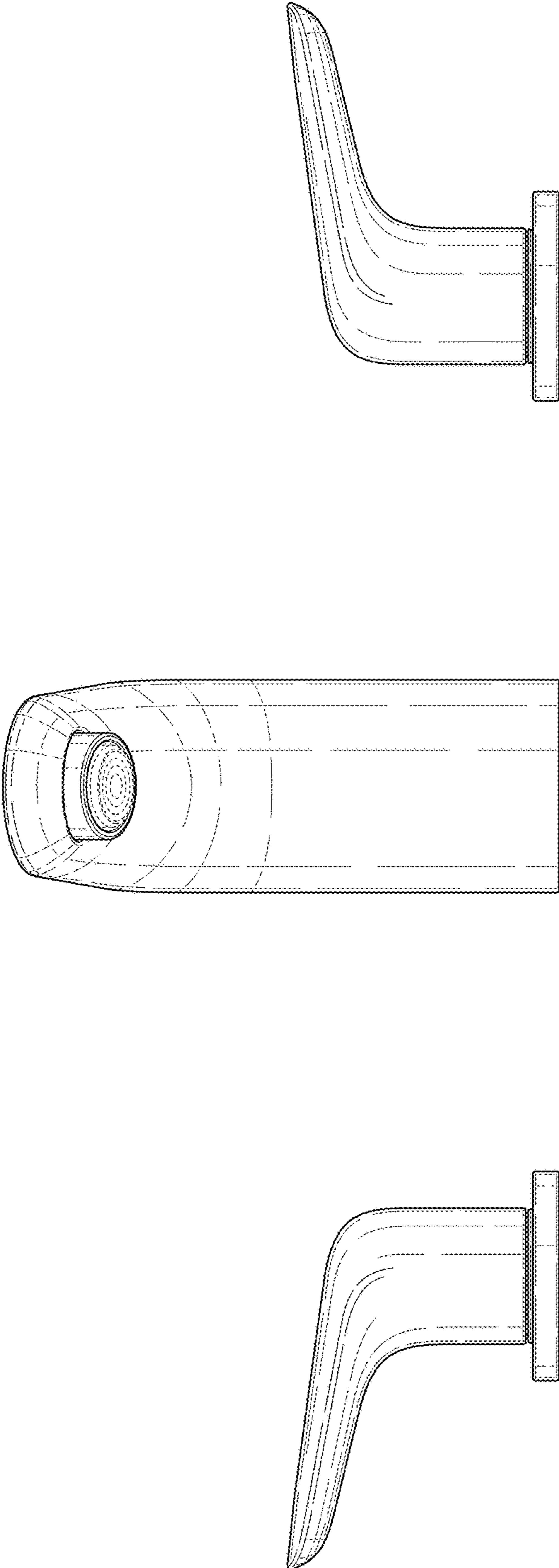


FIG. 2

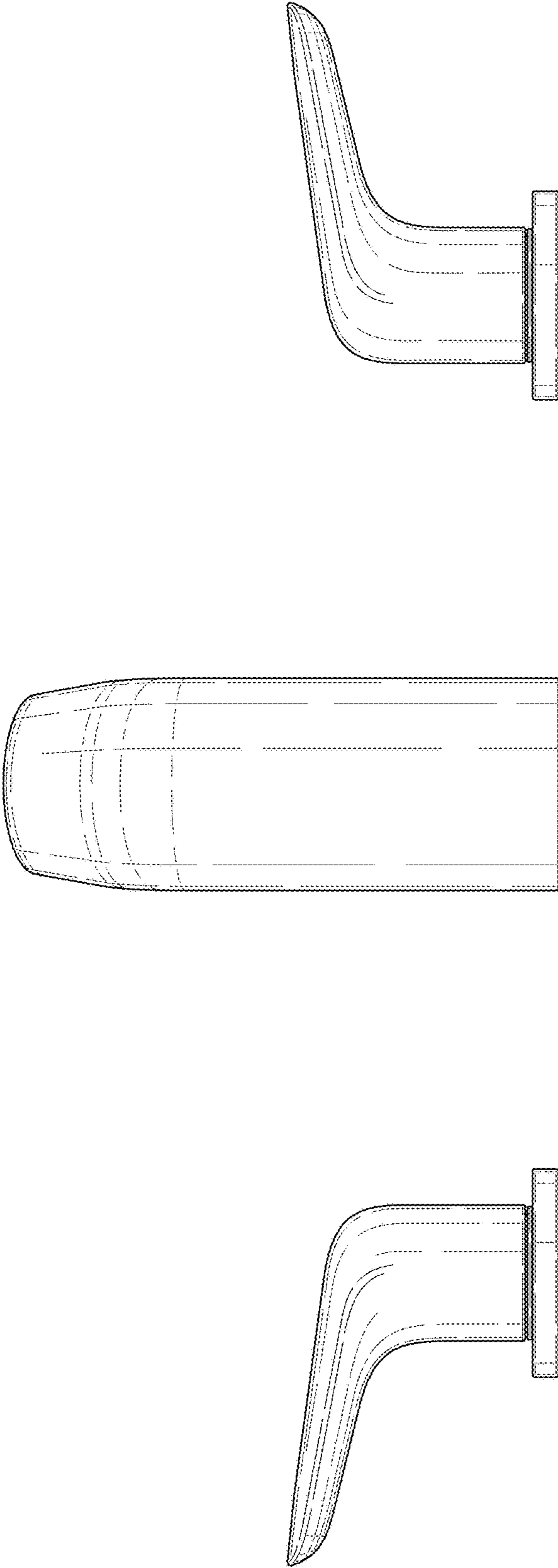
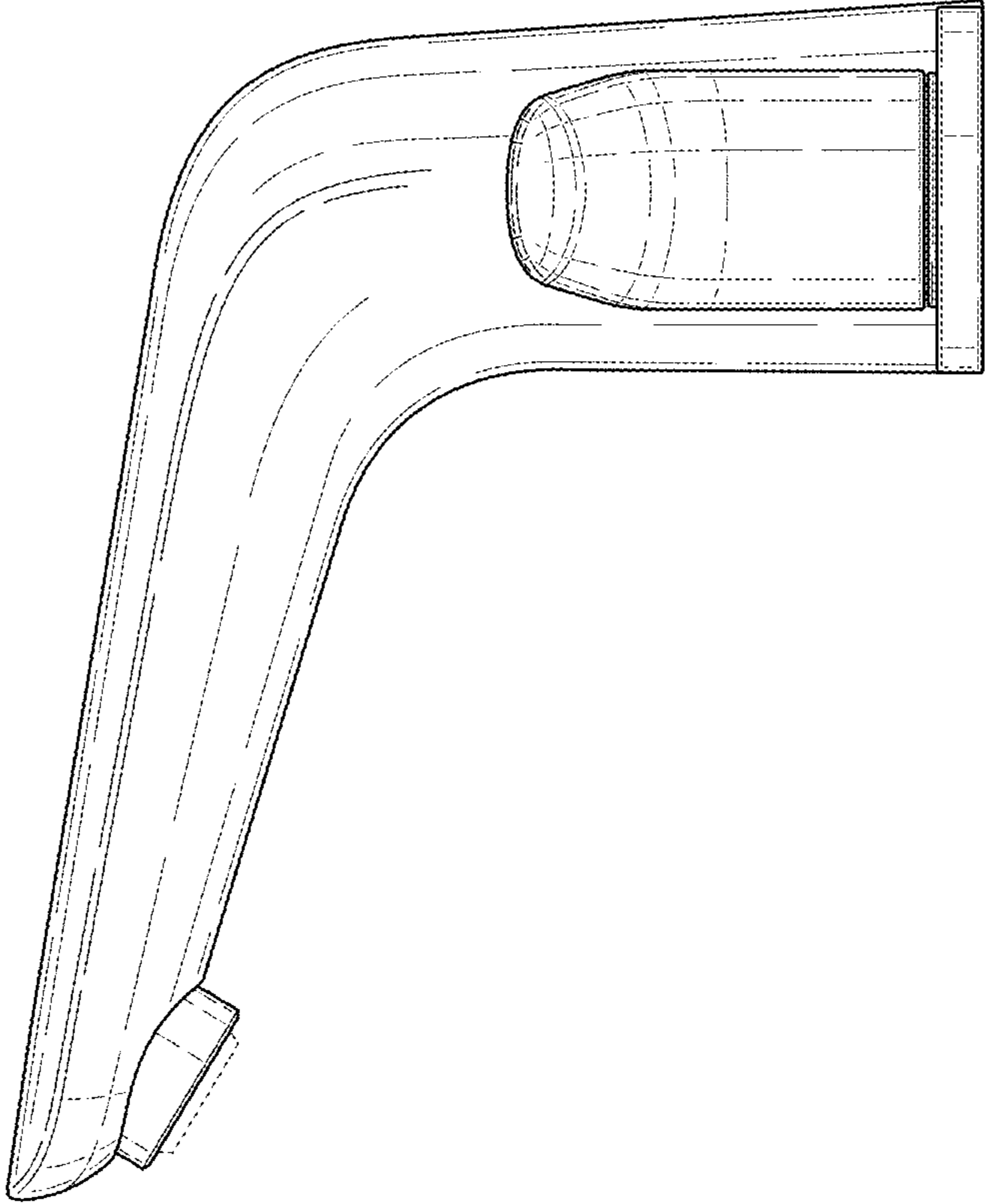


FIG. 3

FIG. 4



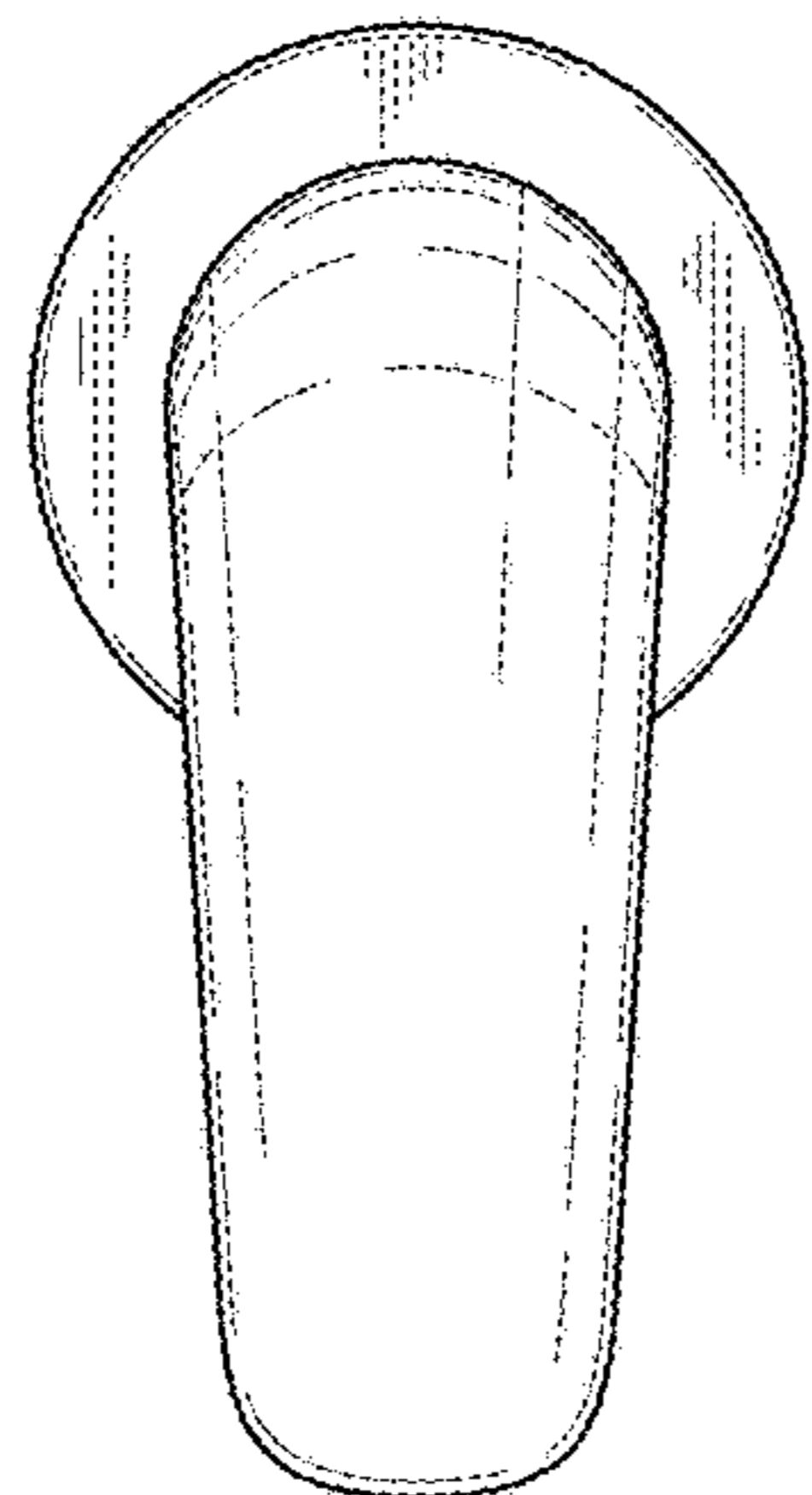
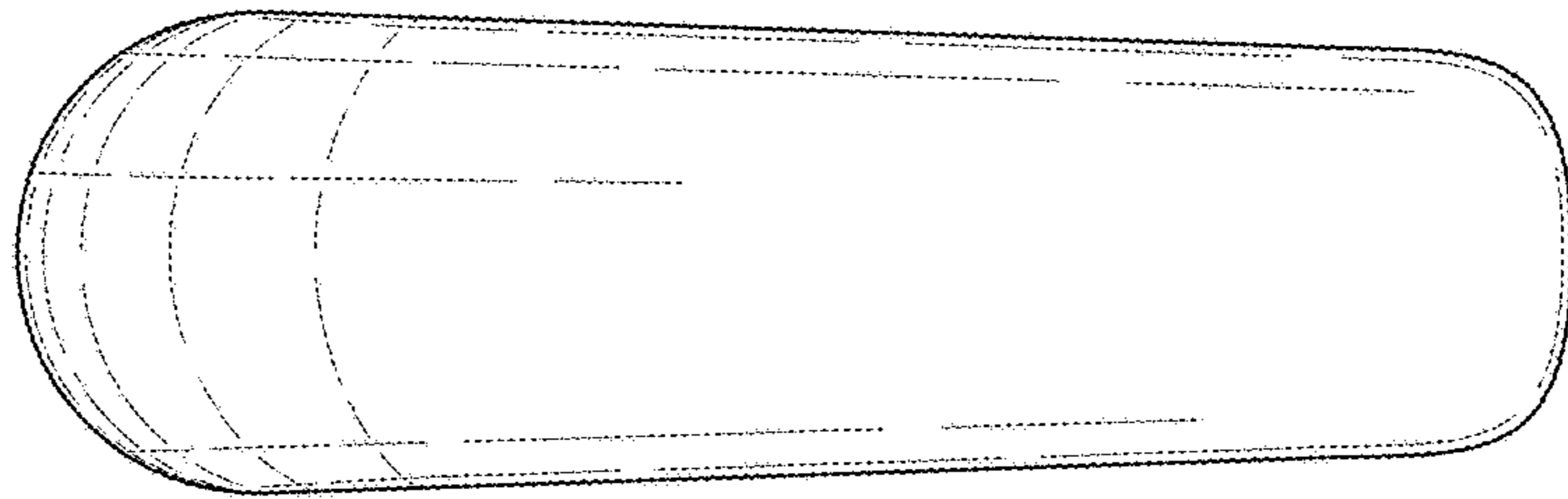
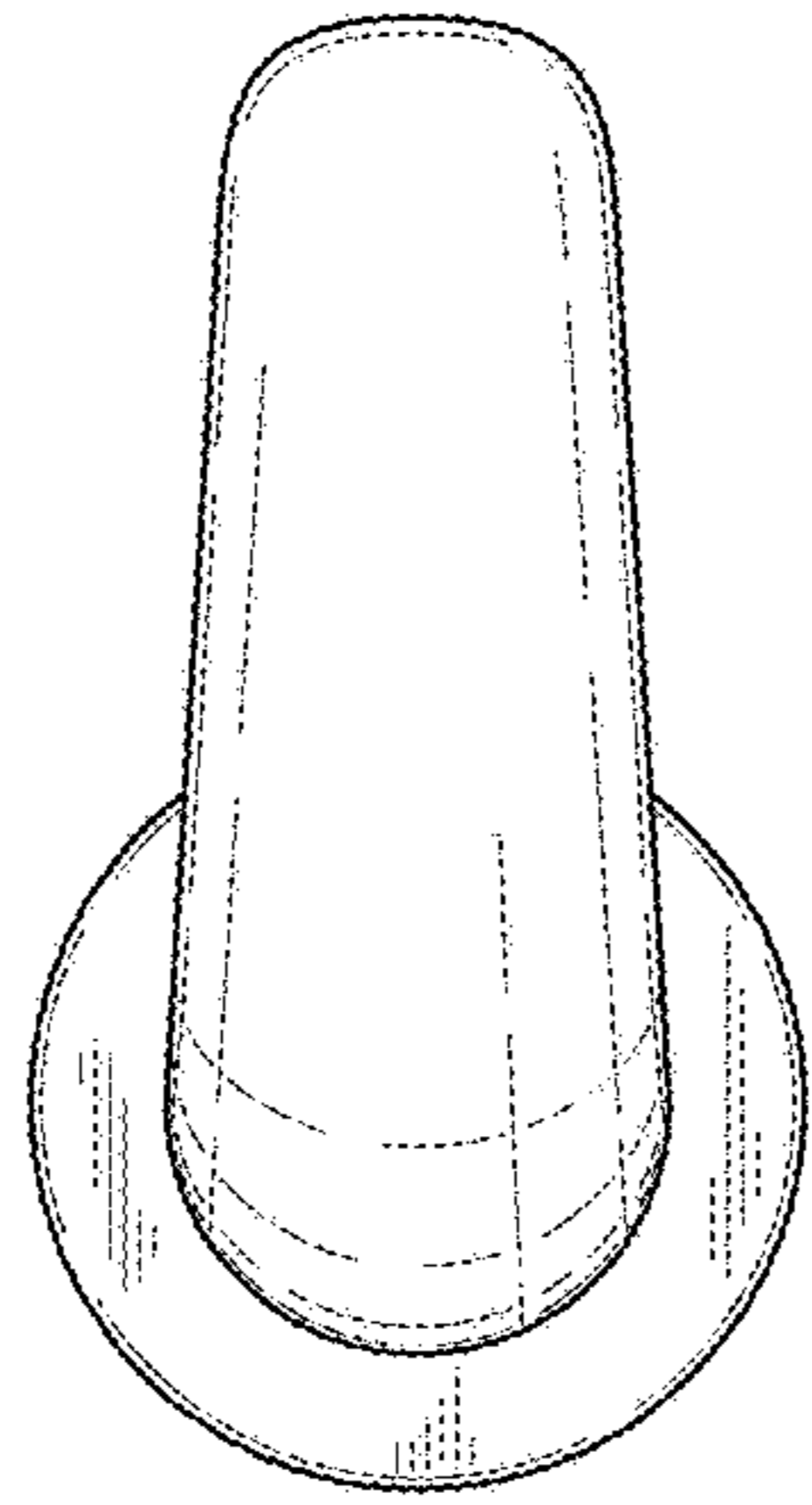


FIG. 5

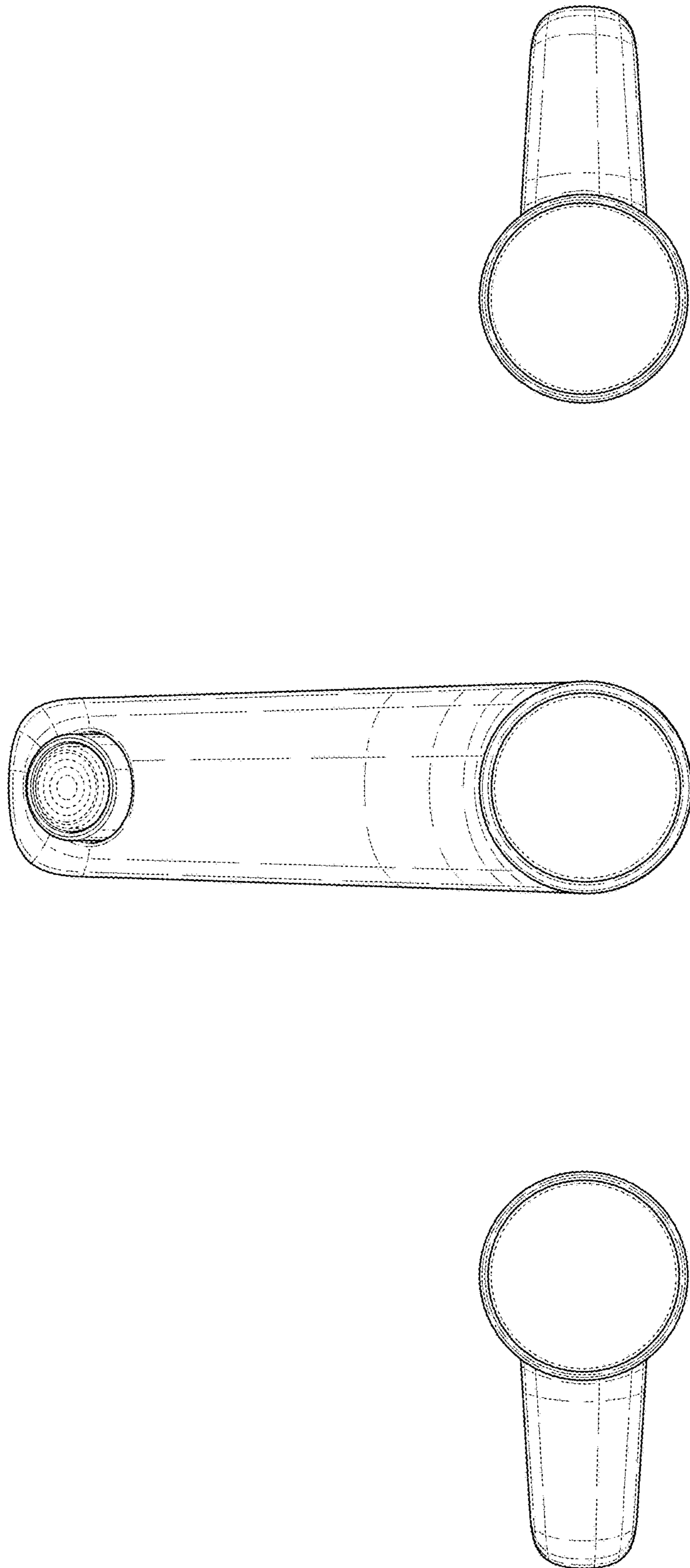


FIG. 6