

US00D835756S

(12) **United States Design Patent**  
**Auxter et al.**

(10) **Patent No.:** **US D835,756 S**  
(45) **Date of Patent:** **\*\* Dec. 11, 2018**

- (54) **RELIEF VALVE COMPONENT**
- (71) Applicant: **Fram Group IP LLC**, Lake Forest, IL (US)
- (72) Inventors: **Daniel Auxter**, Genoa, OH (US);  
**Timothy L. Memmer**, Bowling Green, OH (US)
- (73) Assignee: **Fram Group IP LLC**, Lake Forest, IL (US)

5,256,280 A 10/1993 Anderly et al.  
 6,214,215 B1 4/2001 Berkey et al.  
 6,284,130 B1\* 9/2001 Daniel ..... B01D 27/103  
 210/136

(Continued)

**FOREIGN PATENT DOCUMENTS**

GB 1592613 7/1981

**OTHER PUBLICATIONS**

International Search Report and Written Opinion of PCT/US18/29027 dated Jul. 20, 2018.

*Primary Examiner* — Cynthia Ramirez  
*Assistant Examiner* — Gino Colan  
 (74) *Attorney, Agent, or Firm* — Barnes & Thornburg LLP; Elizabeth A. Peters

- (\*\*) Term: **15 Years**
- (21) Appl. No.: **29/603,469**
- (22) Filed: **May 10, 2017**
- (51) **LOC (11) Cl.** ..... **23-01**
- (52) **U.S. Cl.**  
USPC ..... **D23/249**
- (58) **Field of Classification Search**  
USPC ..... D23/233–250, 365, 209; 210/130–136,  
210/450, 430; 137/535  
CPC .. B01D 35/143; B01D 27/103; B01D 35/306;  
B01D 35/1475; B01D 2201/304; B01D  
27/10; B01D 27/106  
See application file for complete search history.

(57) **CLAIM**

The ornamental design for a relief valve component, as shown and described.

**DESCRIPTION**

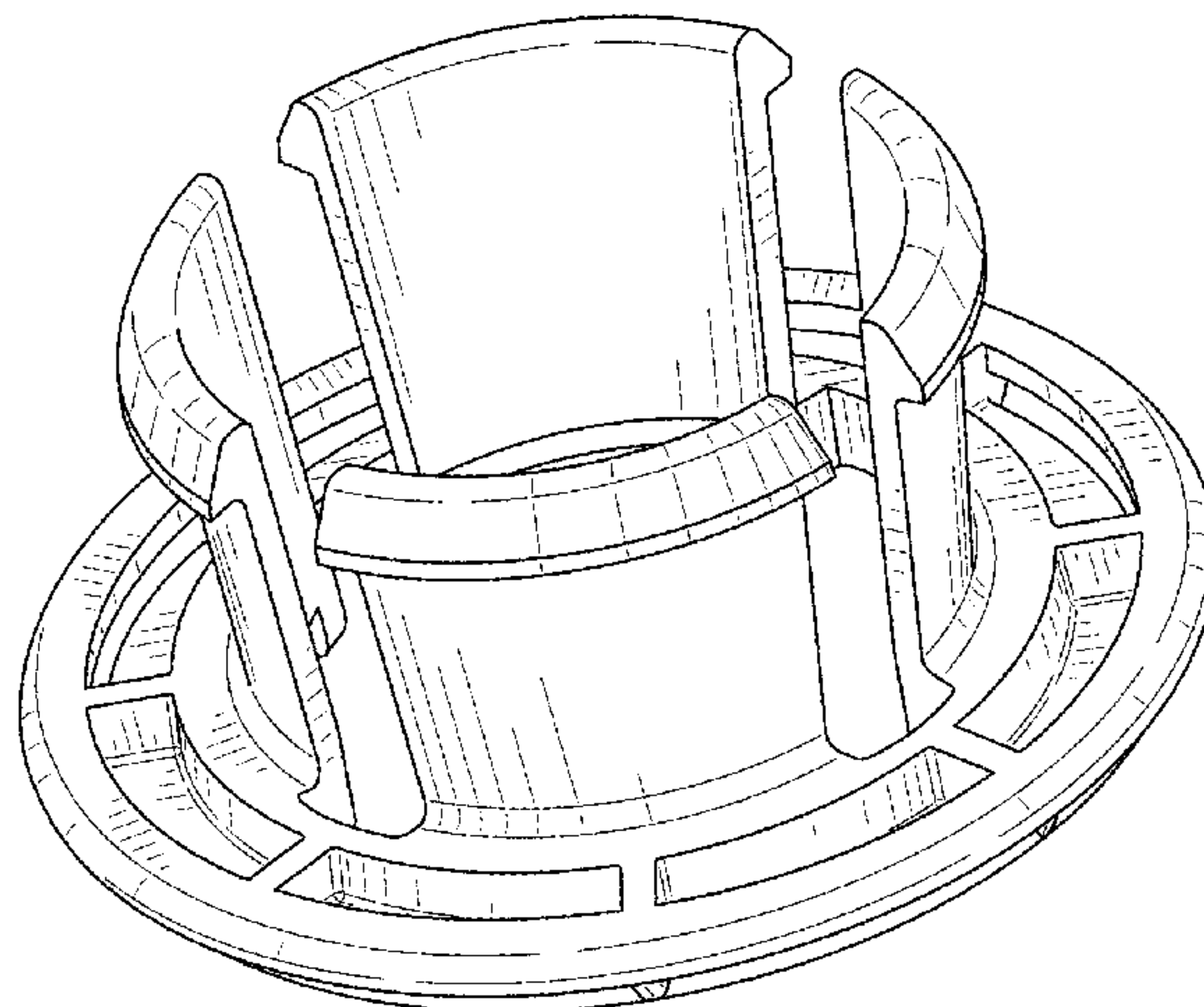
FIG. 1 is a side perspective view of a relief valve component, according to a first embodiment of our new design; FIG. 2 is a bottom perspective view thereof; FIG. 3 is a left side view thereof; FIG. 4 is a right side view thereof; FIG. 5 is a top plan view thereof; FIG. 6 is a bottom plan view thereof; FIG. 7 is a side perspective view of a relief valve component, according to an alternative embodiment of our new design; FIG. 8 is a bottom perspective view thereof; FIG. 9 is a left side view thereof; FIG. 10 is right side view thereof; FIG. 11 is a top plan view thereof; and, FIG. 12 is a bottom plan view thereof.

(56) **References Cited**

**U.S. PATENT DOCUMENTS**

3,156,259 A 11/1964 Havelka et al.  
 3,235,085 A 2/1966 Humbert, Jr.  
 3,567,022 A \* 3/1971 Thornton ..... B01D 27/106  
 210/130  
 3,589,517 A 6/1971 Palmai  
 3,618,775 A 11/1971 Hultgren  
 3,861,570 A 1/1975 Green  
 4,028,243 A 6/1977 Offer et al.  
 4,872,976 A 10/1989 Cudaback  
 4,935,127 A 6/1990 Lowsky et al.  
 D317,965 S \* 7/1991 Svensson ..... D23/209  
 5,250,176 A \* 10/1993 Daniel ..... B01D 27/106  
 210/130

**1 Claim, 6 Drawing Sheets**



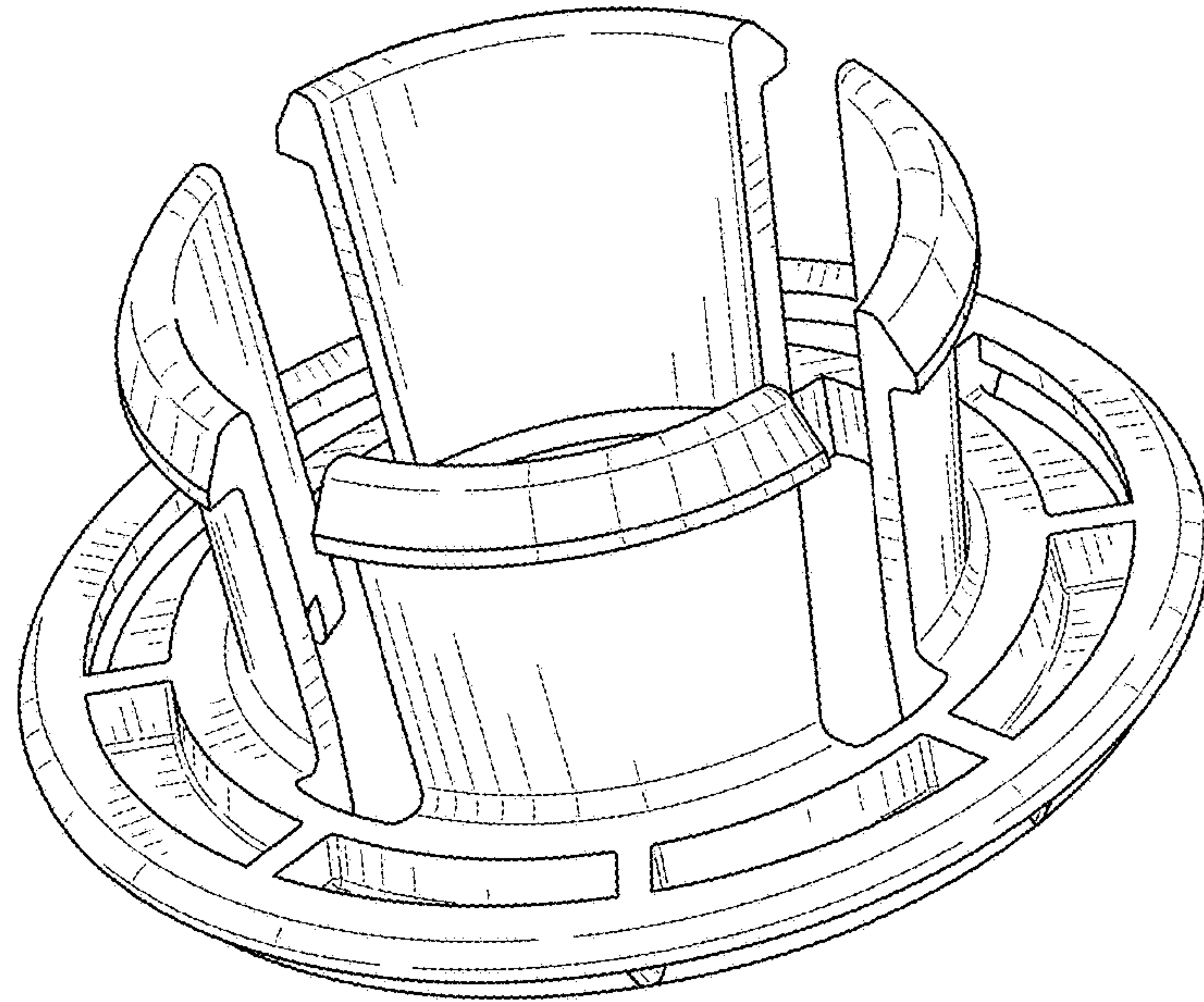
(56)

**References Cited**

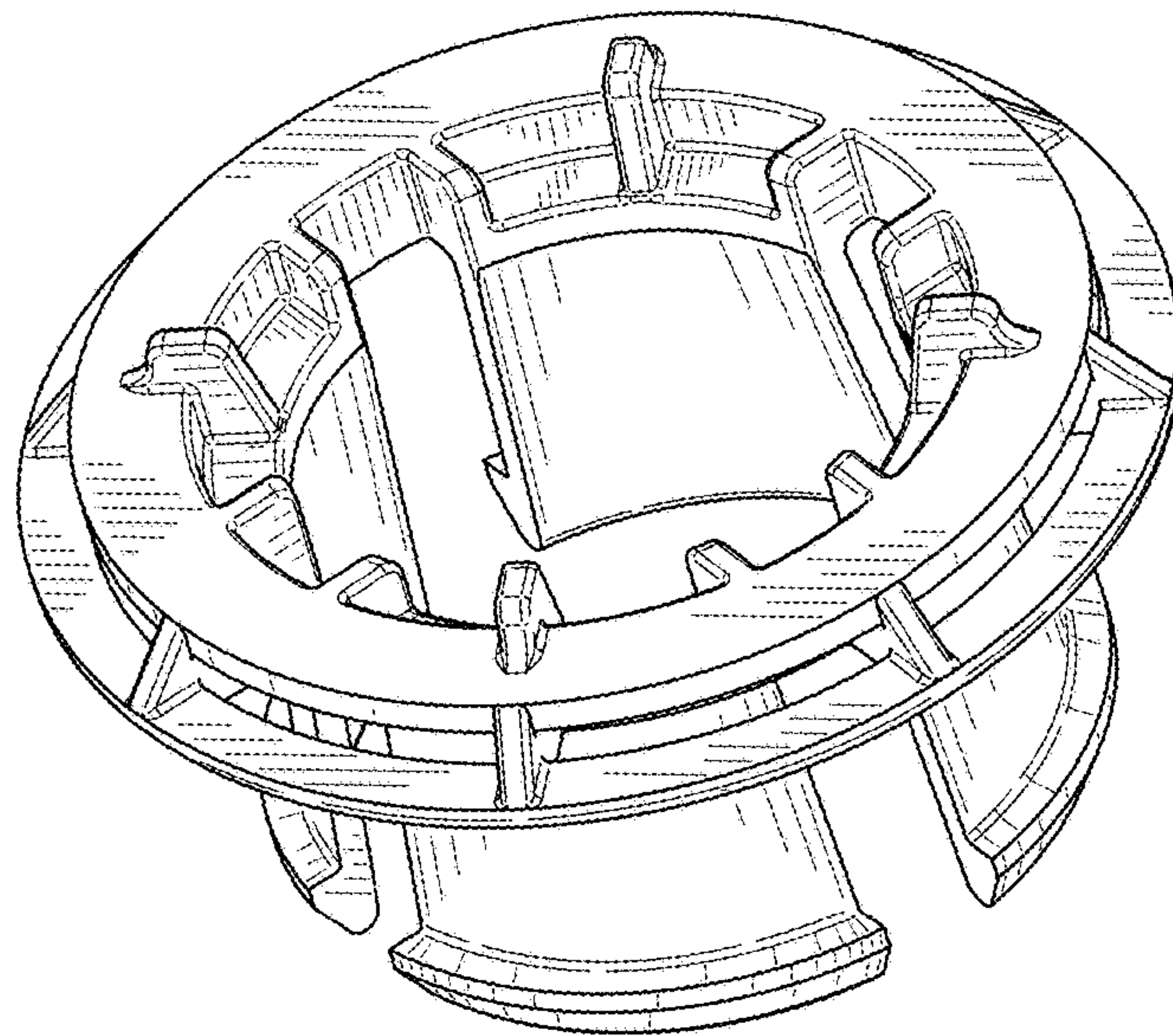
U.S. PATENT DOCUMENTS

6,936,162	B1 *	8/2005	McKenzie .....	B01D 27/103 210/130
7,175,761	B2	2/2007	Stanhope et al.	
D671,201	S *	11/2012	Yano .....	D23/365
8,496,119	B2 *	7/2013	Crawford .....	B01D 35/147 210/130
9,884,278	B2	2/2018	Bilski et al.	
2005/0103692	A1	5/2005	Stanhope et al.	
2007/0235374	A1	10/2007	Wright et al.	
2013/0119289	A1	5/2013	Morris et al.	
2015/0219226	A1 *	8/2015	Bilski .....	F17D 5/00 137/535
2015/0238885	A1	8/2015	Bilski et al.	

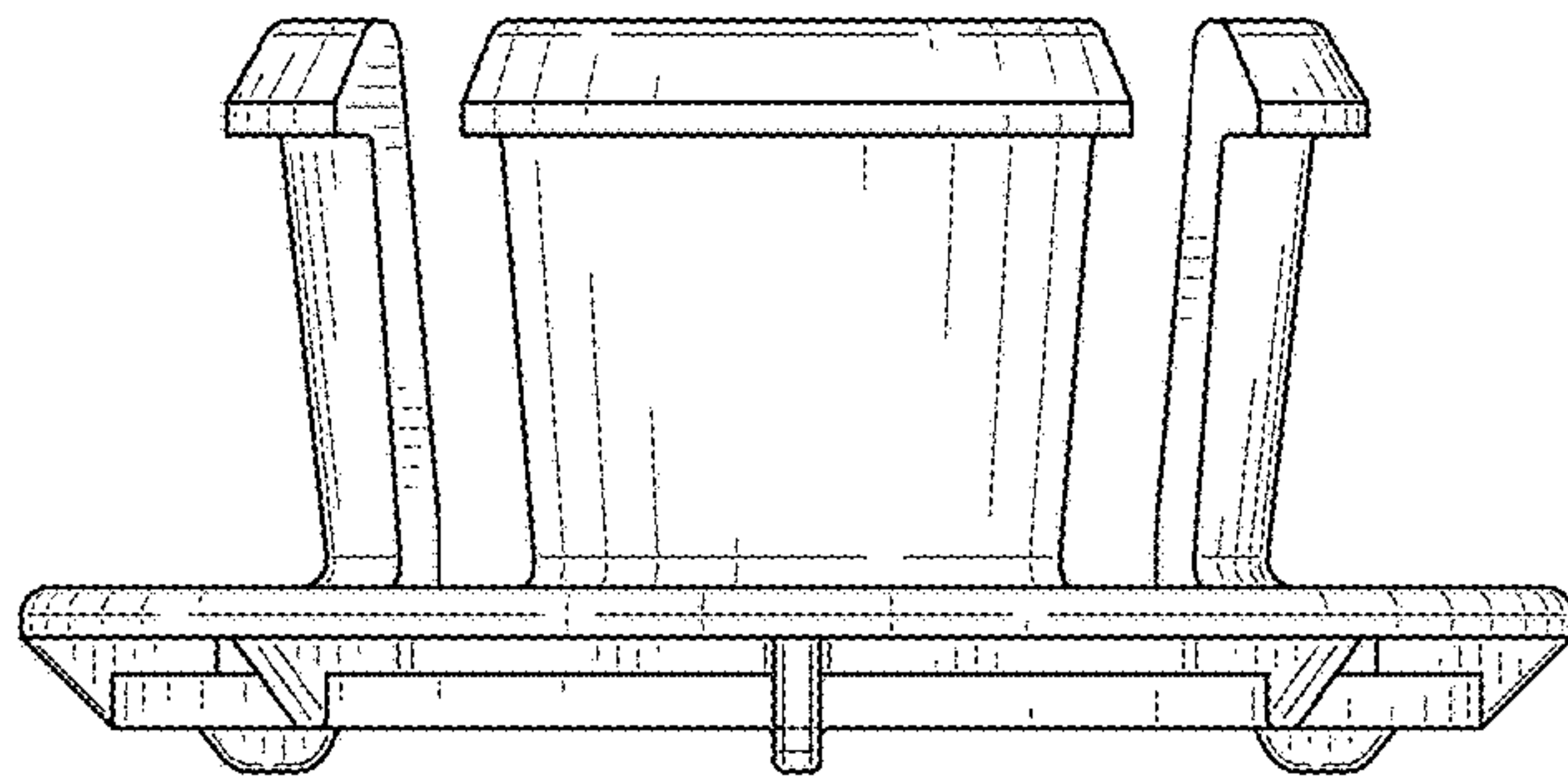
\* cited by examiner



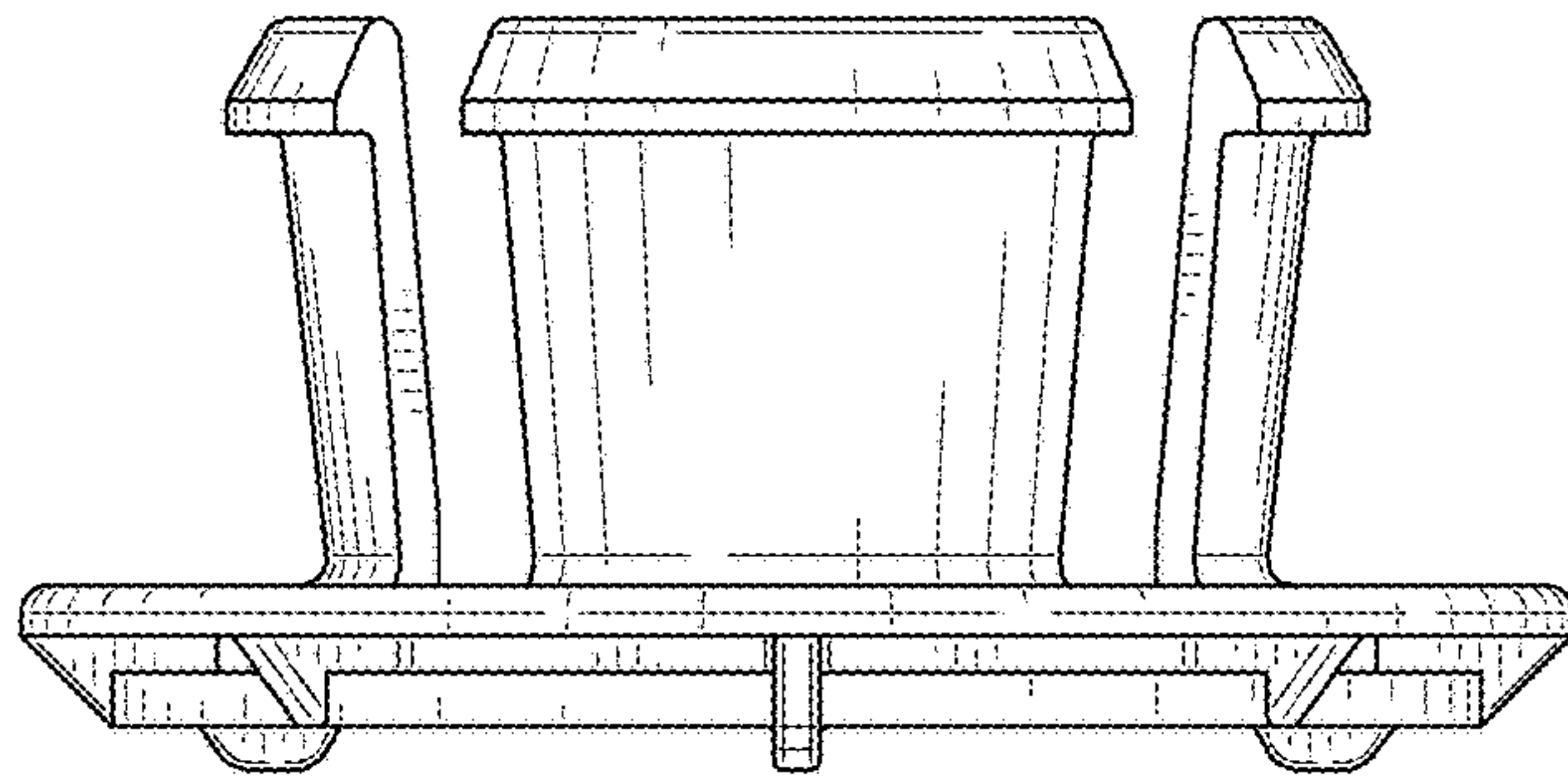
*FIG. 1*



*FIG. 2*

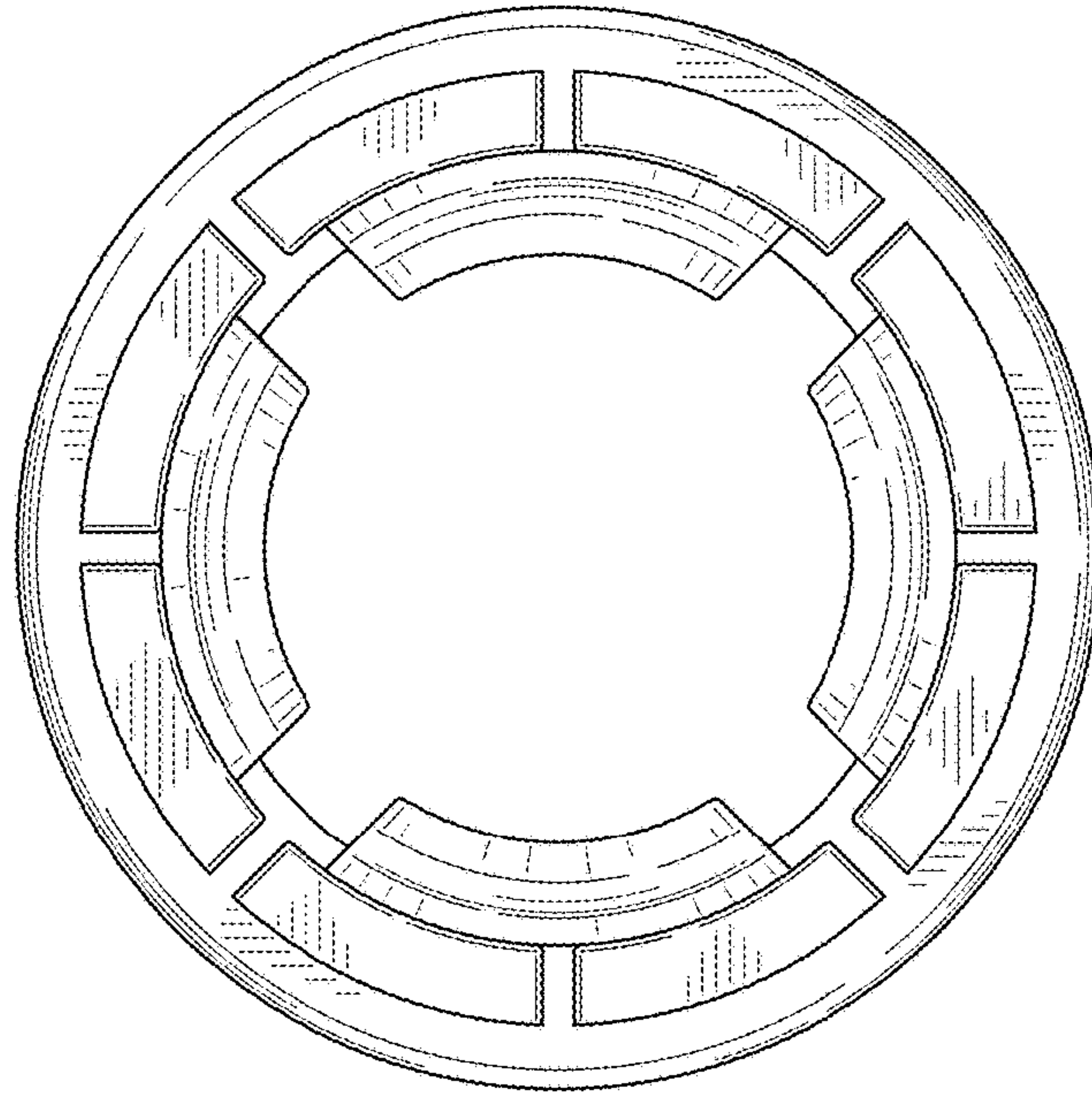


*FIG. 3*

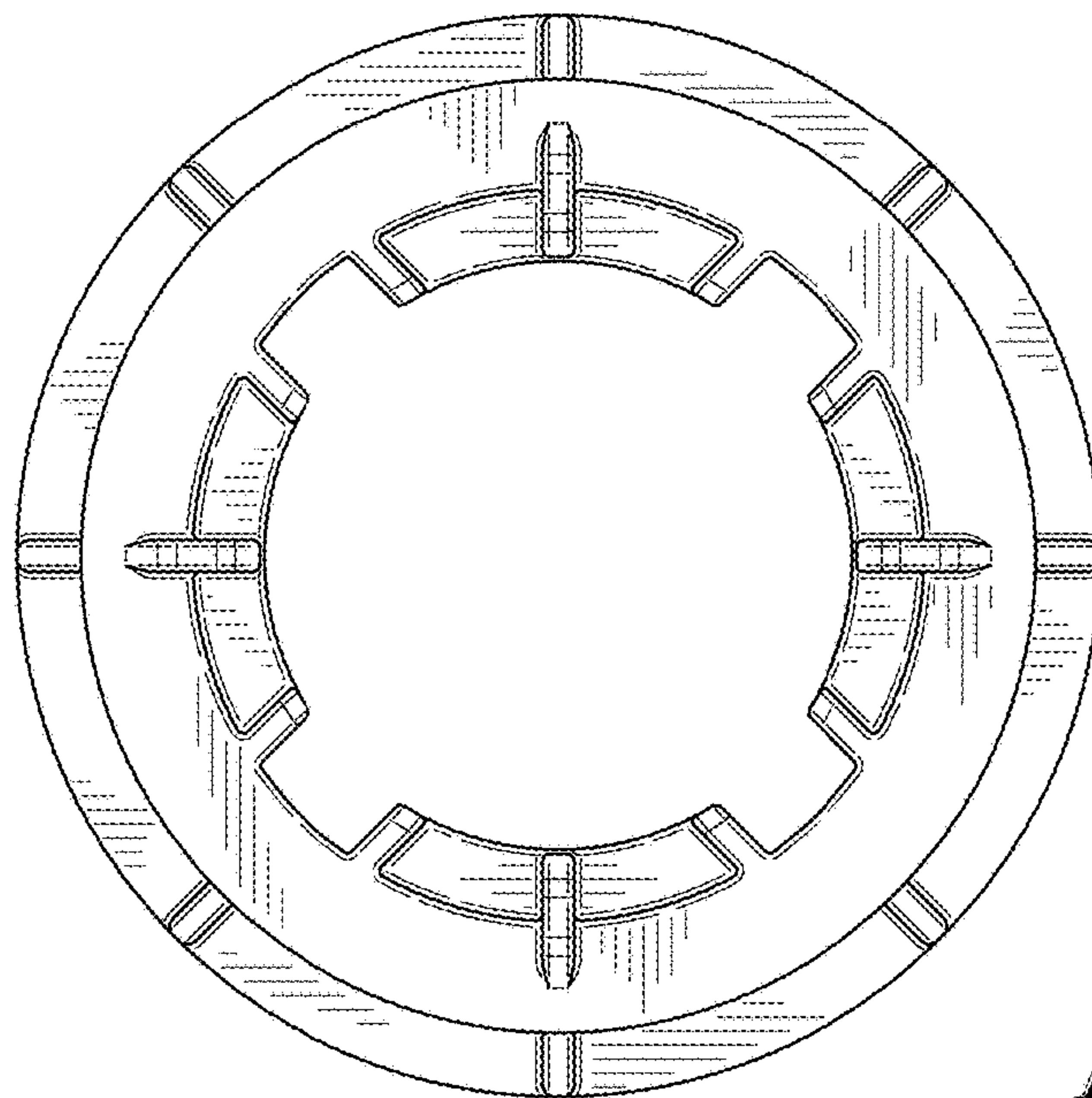


*FIG. 4*

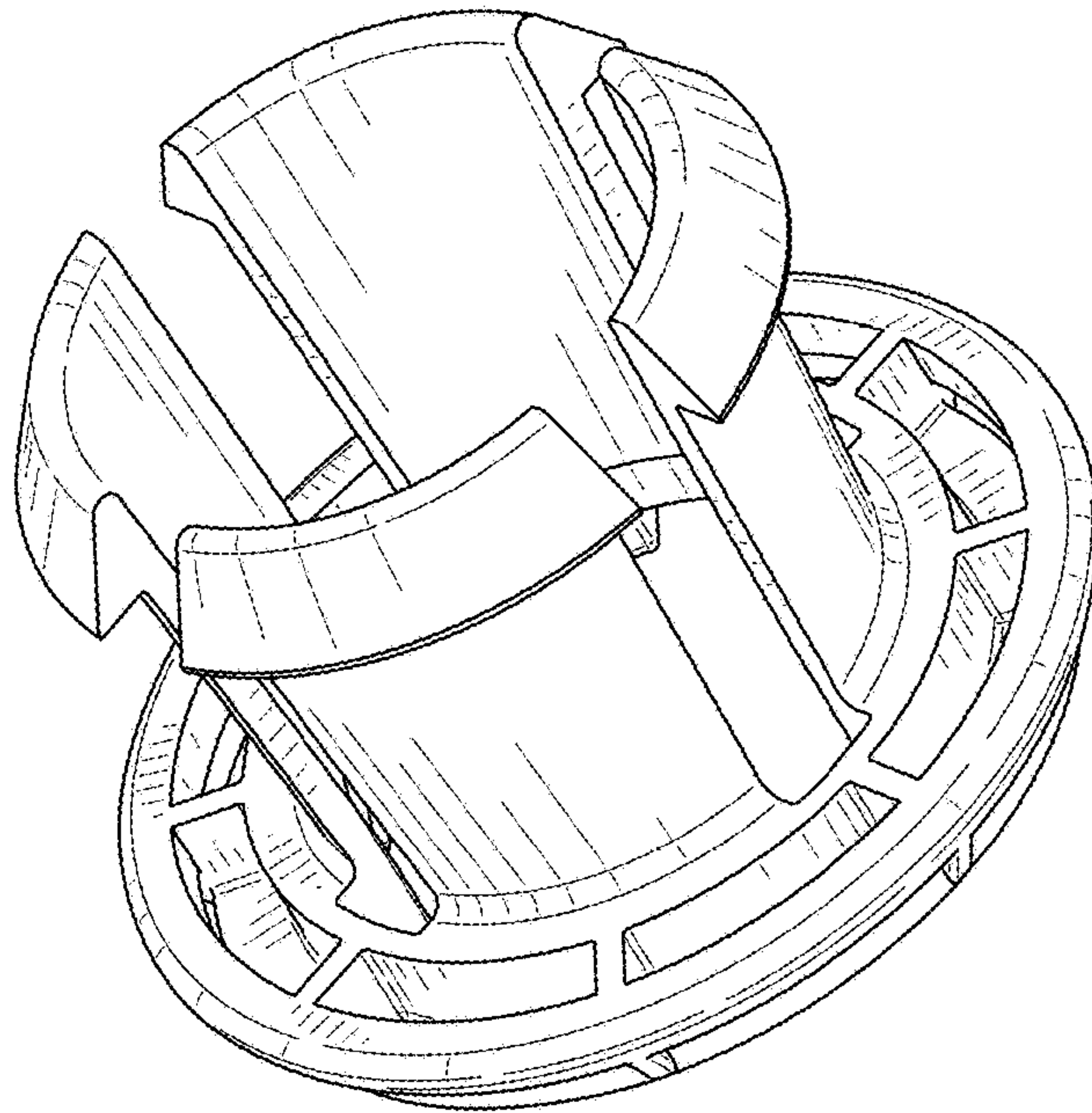




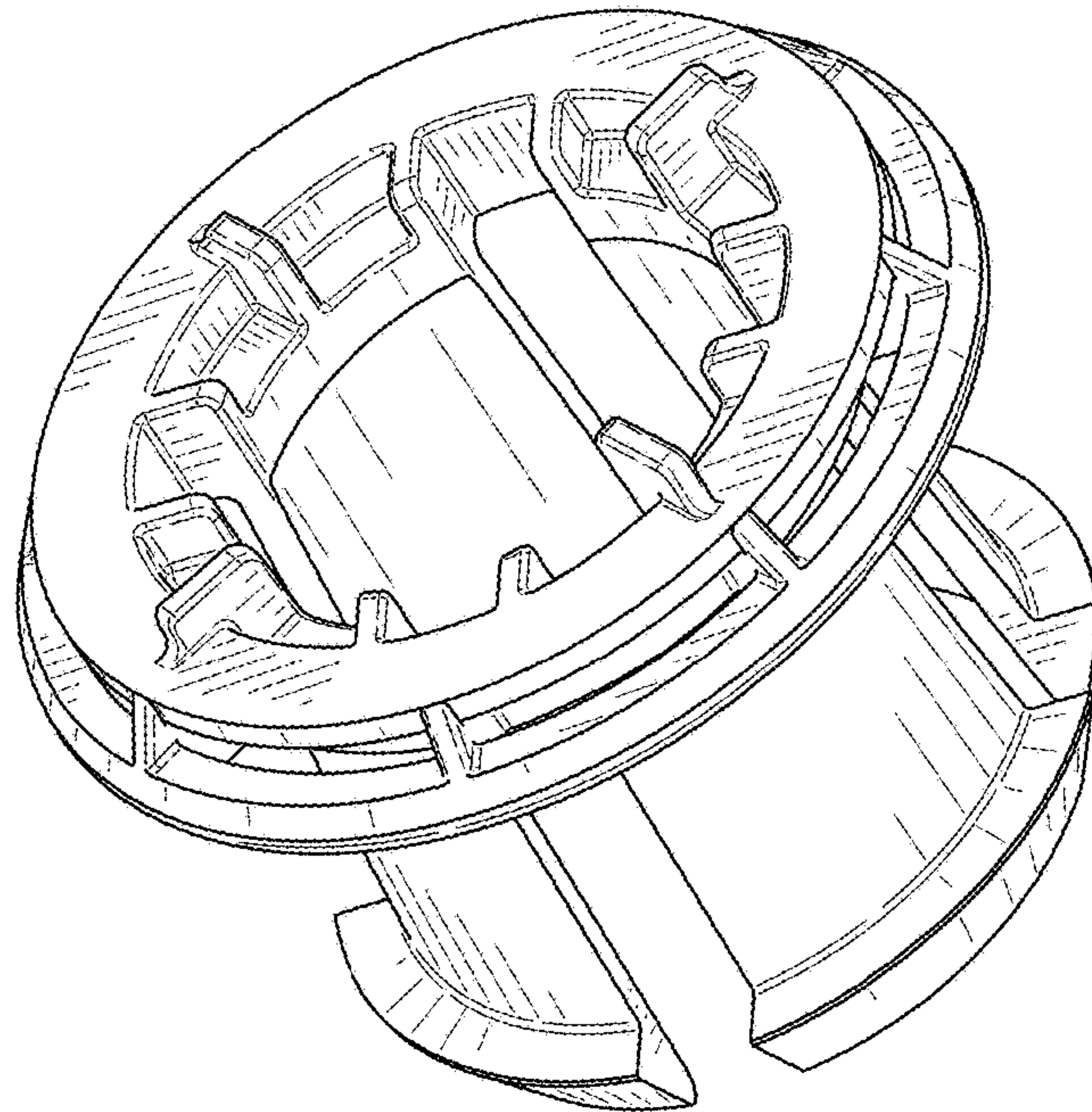
*FIG. 5*



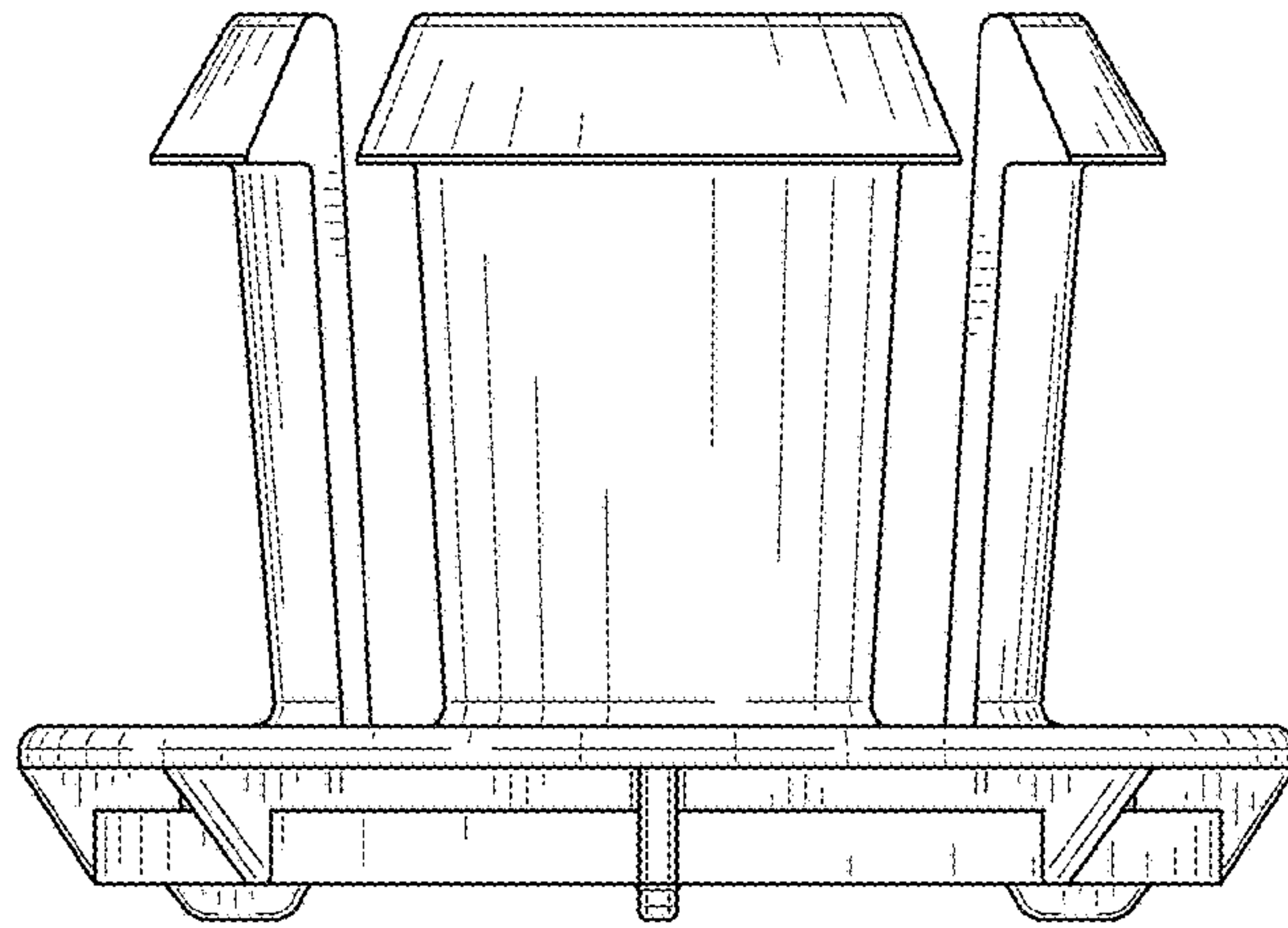
*FIG. 6*



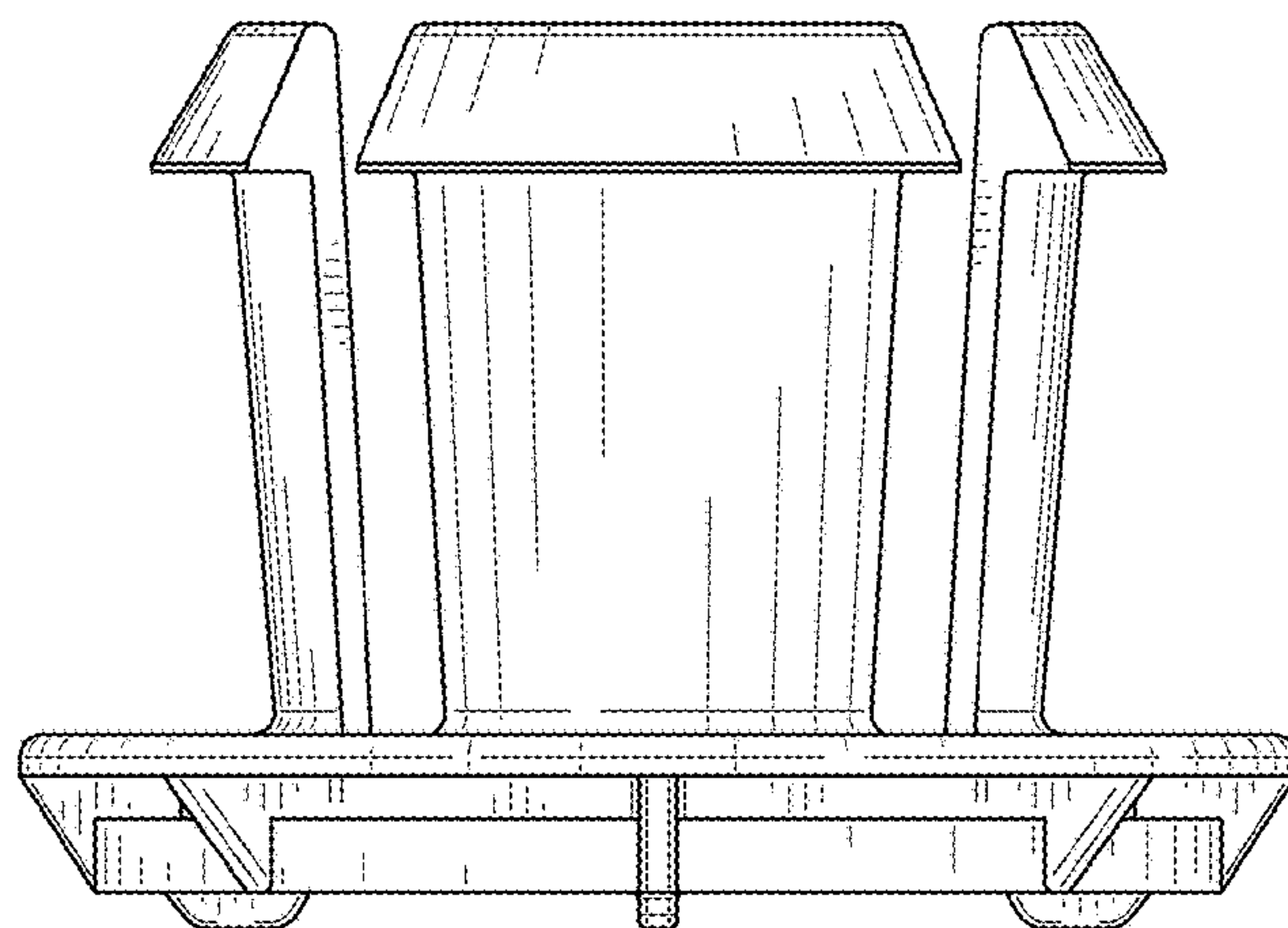
*FIG. 7*



*FIG. 8*

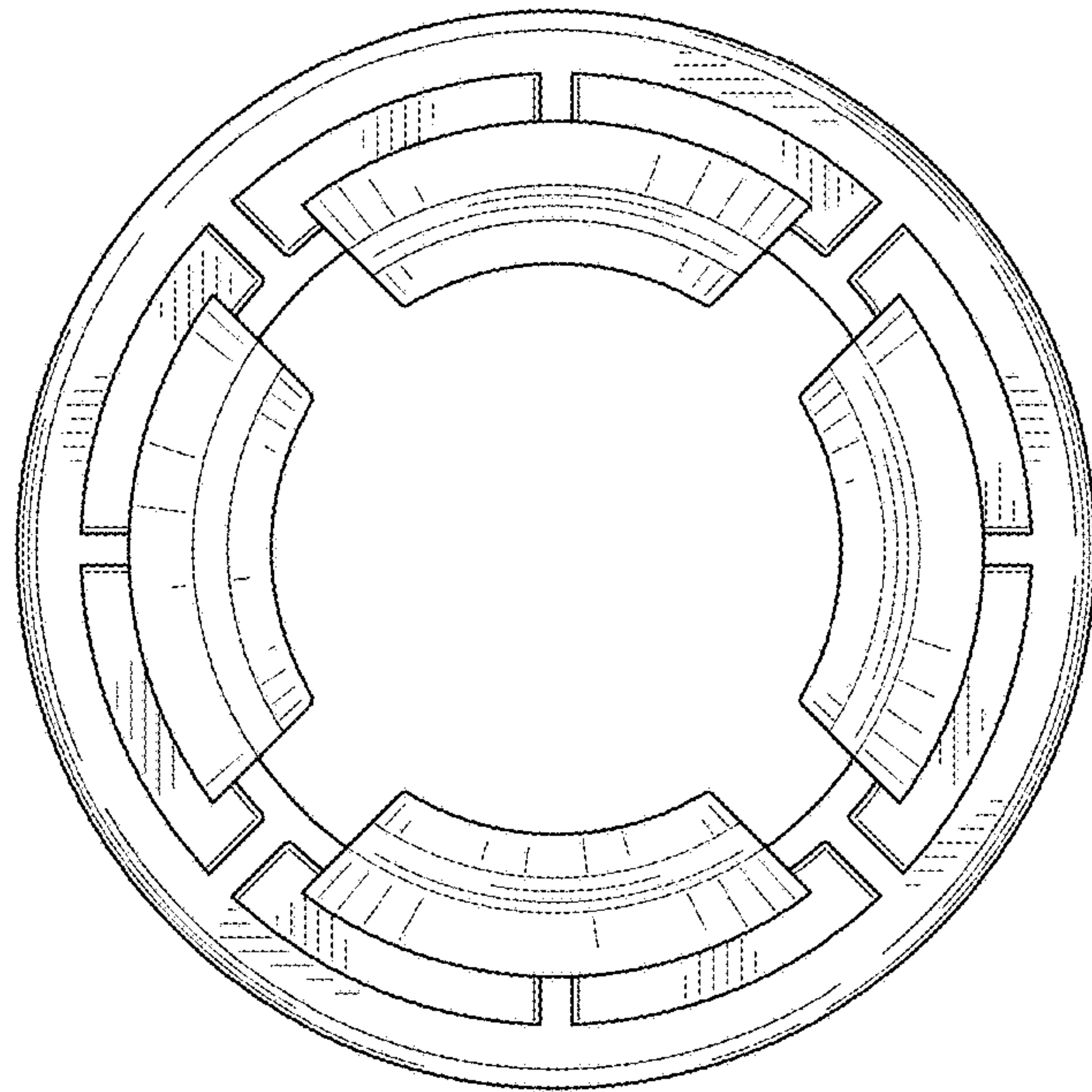


*FIG. 9*

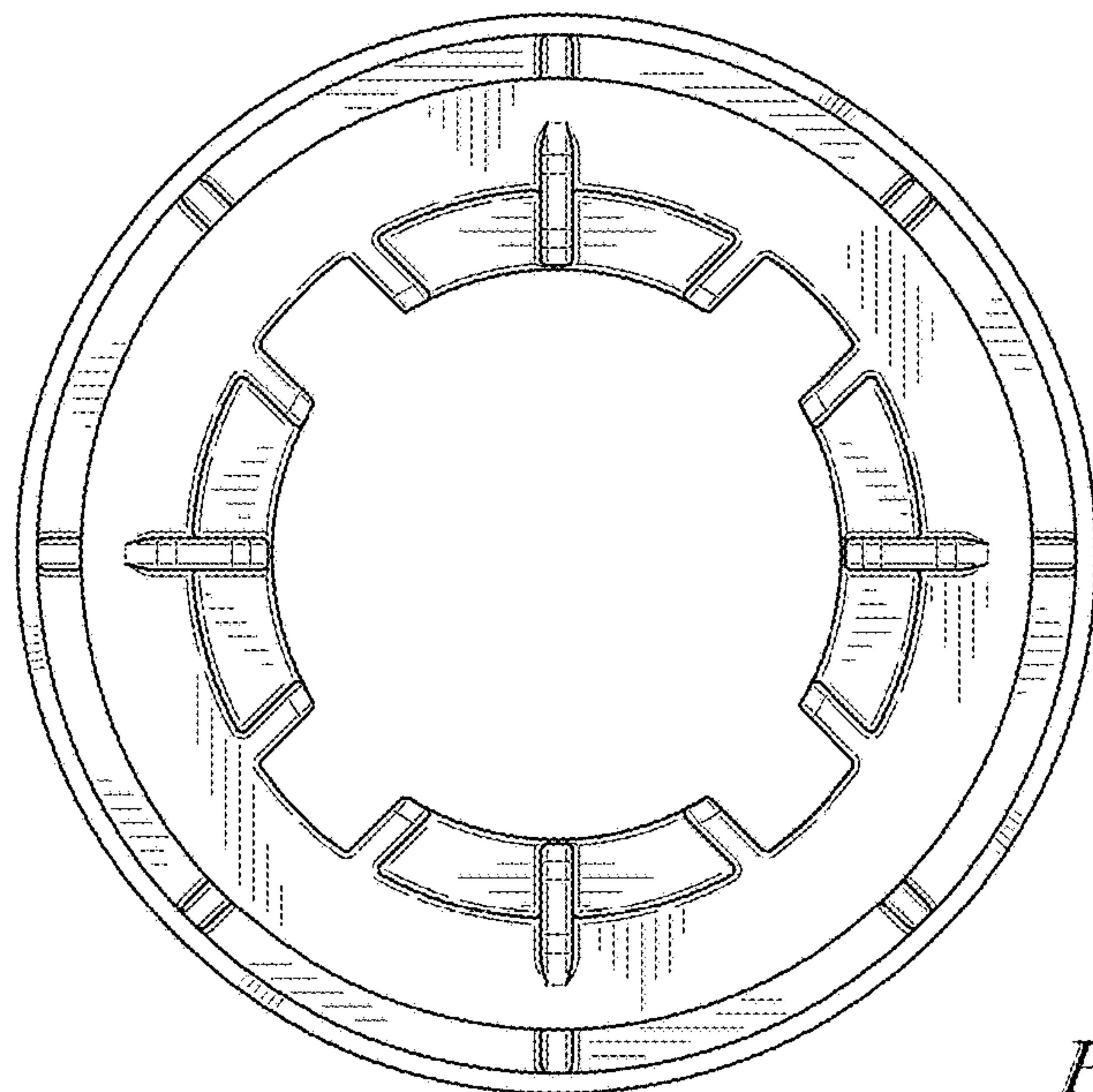


*FIG. 10*





*FIG. 11*



*FIG. 12*