



US00D835754S

(12) **United States Design Patent**
Caleffi

(10) **Patent No.:** **US D835,754 S**

(45) **Date of Patent:** **** Dec. 11, 2018**

- (54) **VALVE**
- (71) Applicant: **Caleffi S.p.A.**, Fontaneto d'Agogna (IT)
- (72) Inventor: **Marco Caleffi**, Fontaneto d'Agogna (IT)
- (73) Assignee: **Caleffi S.p.A.** (IT)
- (**) Term: **15 Years**
- (21) Appl. No.: **29/560,999**
- (22) Filed: **Apr. 12, 2016**

- 2007/0089790 A1* 4/2007 Hecking F24D 3/10
137/597
- 2008/0105311 A1* 5/2008 Bulter F16L 41/021
137/625.11
- 2012/0325338 A1* 12/2012 Pettinaroli F24D 19/1015
137/505
- 2015/0198258 A1* 7/2015 Ibsen F16K 3/24
137/556.6
- 2016/0139605 A1* 5/2016 Guidetti F16K 3/262
137/487
- 2016/0266584 A1* 9/2016 Pettinaroli F16K 31/53

* cited by examiner

Primary Examiner — Cynthia Ramirez

Assistant Examiner — Gino Colan

(74) *Attorney, Agent, or Firm* — Laubscher & Laubscher, P.C.

Related U.S. Application Data

- (62) Division of application No. 29/535,264, filed on Aug. 5, 2015, now Pat. No. Des. 820,392.
- (51) **LOC (11) Cl.** **23-01**
- (52) **U.S. Cl.**
USPC **D23/233**
- (58) **Field of Classification Search**
USPC D23/233–250; 137/625.29, 597, 613,
137/625.68, 106, 98, 14, 487, 601.13,
137/625, 625.11, 557, 255, 215, 556.6,
137/505; 251/129.07, 129.17, 331
CPC F16K 31/365; F16K 27/0263; F16K 3/26;
B65B 2039/009
See application file for complete search history.

(57) **CLAIM**

The ornamental design for a valve, as shown.

DESCRIPTION

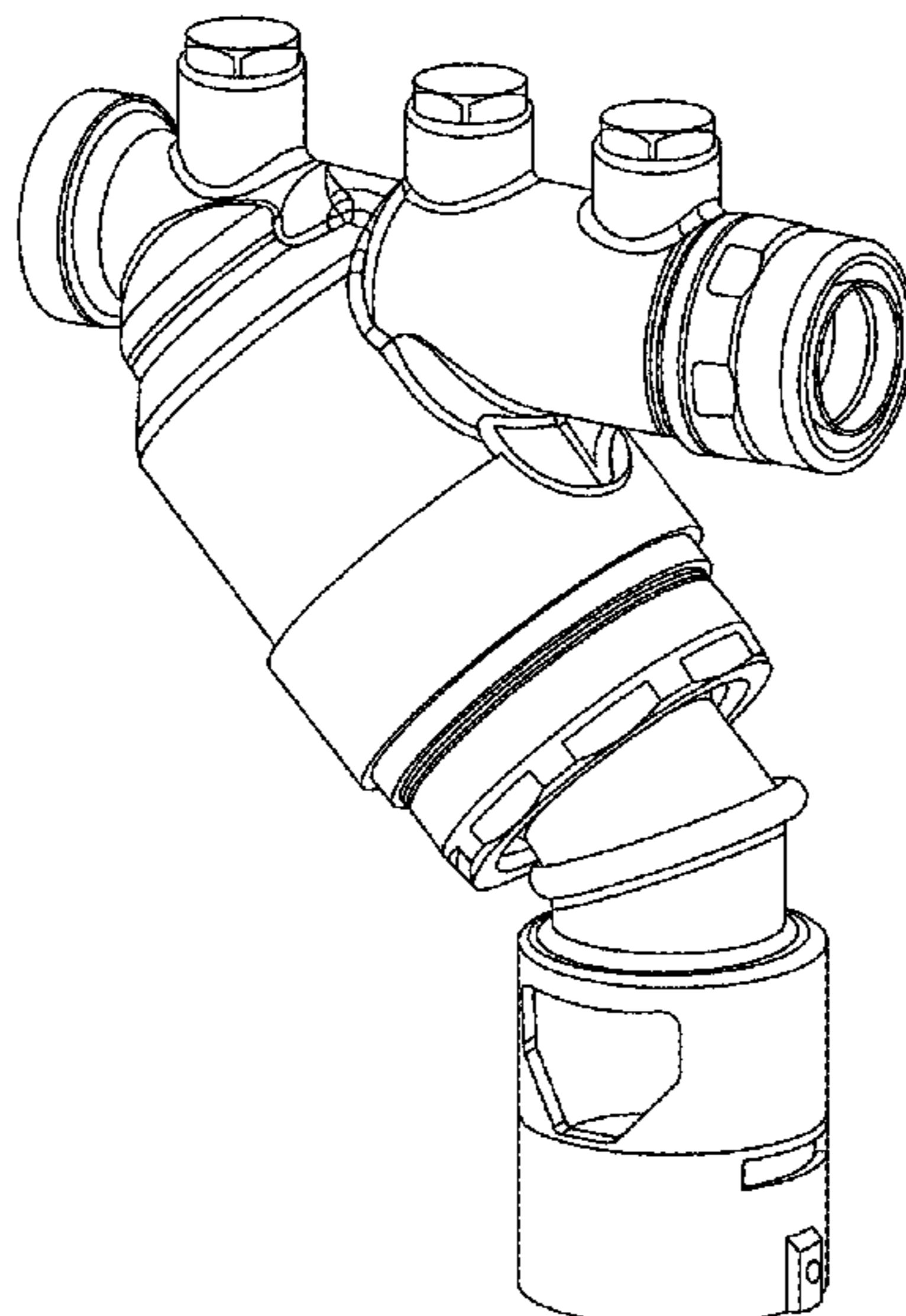
FIG. 1 is front perspective view a valve showing my design;
 FIG. 2 is a front elevation view thereof;
 FIG. 3 is a right side elevation view thereof;
 FIG. 4 is a left side elevation view thereof;
 FIG. 5 is a top plan view thereof;
 FIG. 6 is another front perspective view, in a first alternate configuration;
 FIG. 7 is a front elevation view thereof;
 FIG. 8 is a right side elevation view thereof;
 FIG. 9 is a left side elevation view thereof;
 FIG. 10 is a top plan view thereof;
 FIG. 11 is another front perspective view, in a second alternate configuration;
 FIG. 12 is a front elevation view thereof;
 FIG. 13 is a right side elevation view thereof;
 FIG. 14 is a left side elevation view thereof; and,
 FIG. 15 is a top plan view thereof.

(56) **References Cited**

U.S. PATENT DOCUMENTS

- D449,872 S * 10/2001 Lohde D23/233
- D677,363 S * 3/2013 Norlander D23/233
- D720,430 S * 12/2014 Yoshida D23/233
- 8,985,140 B2 * 3/2015 Pettinaroli F24D 19/1015
137/487
- 2004/0261862 A1* 12/2004 Wang F16K 37/0066
137/557

1 Claim, 8 Drawing Sheets



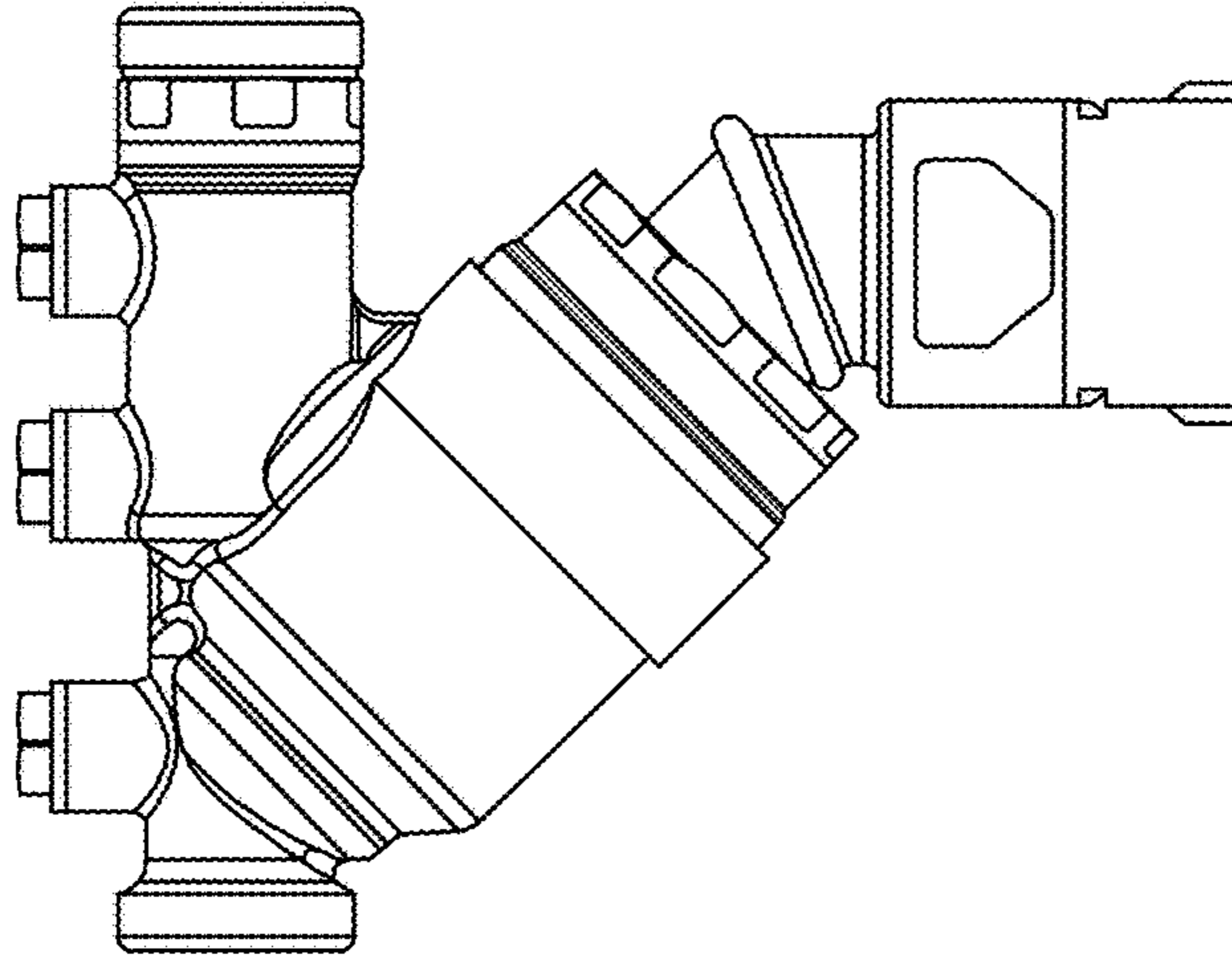


FIG. 2

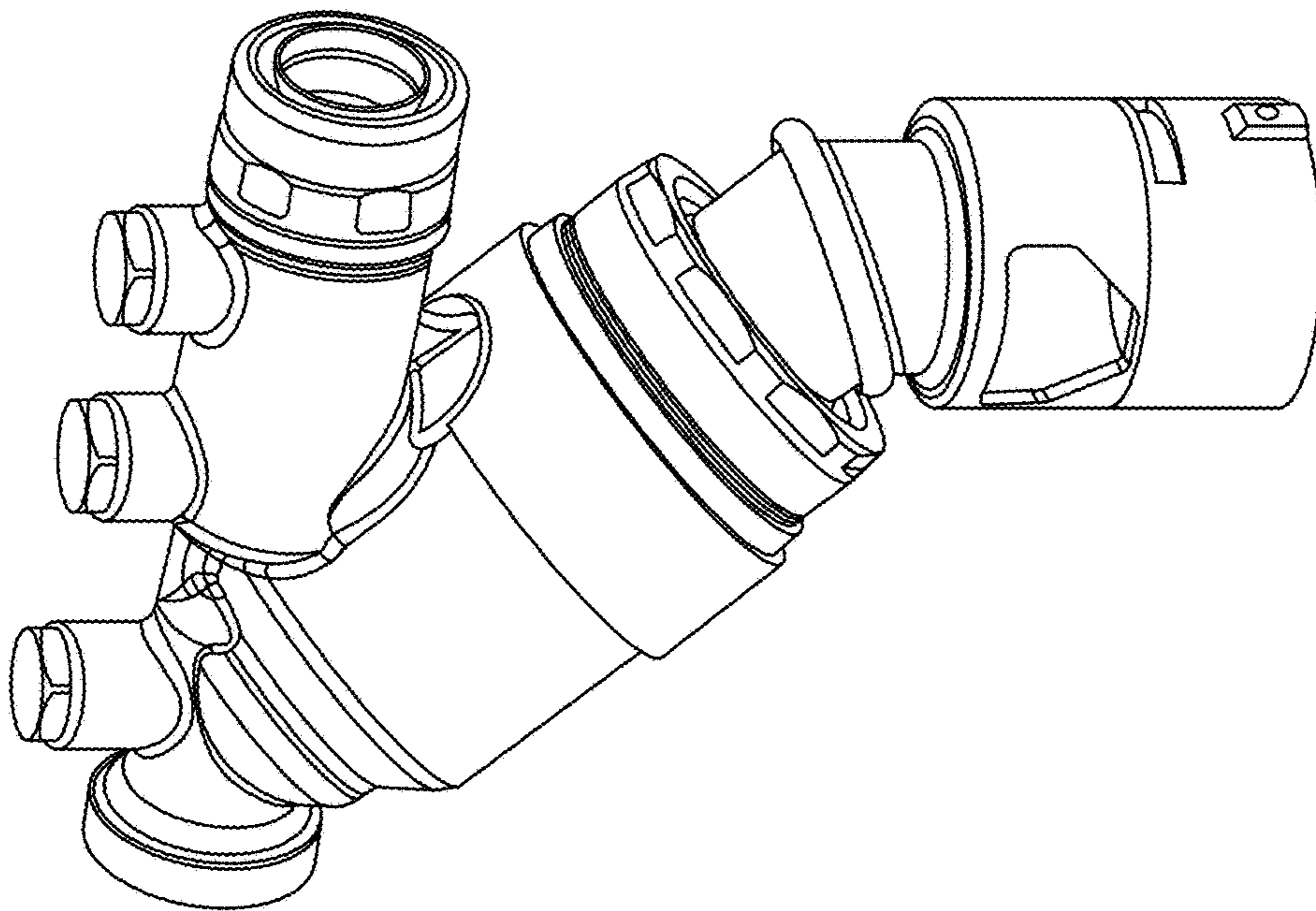


FIG. 1

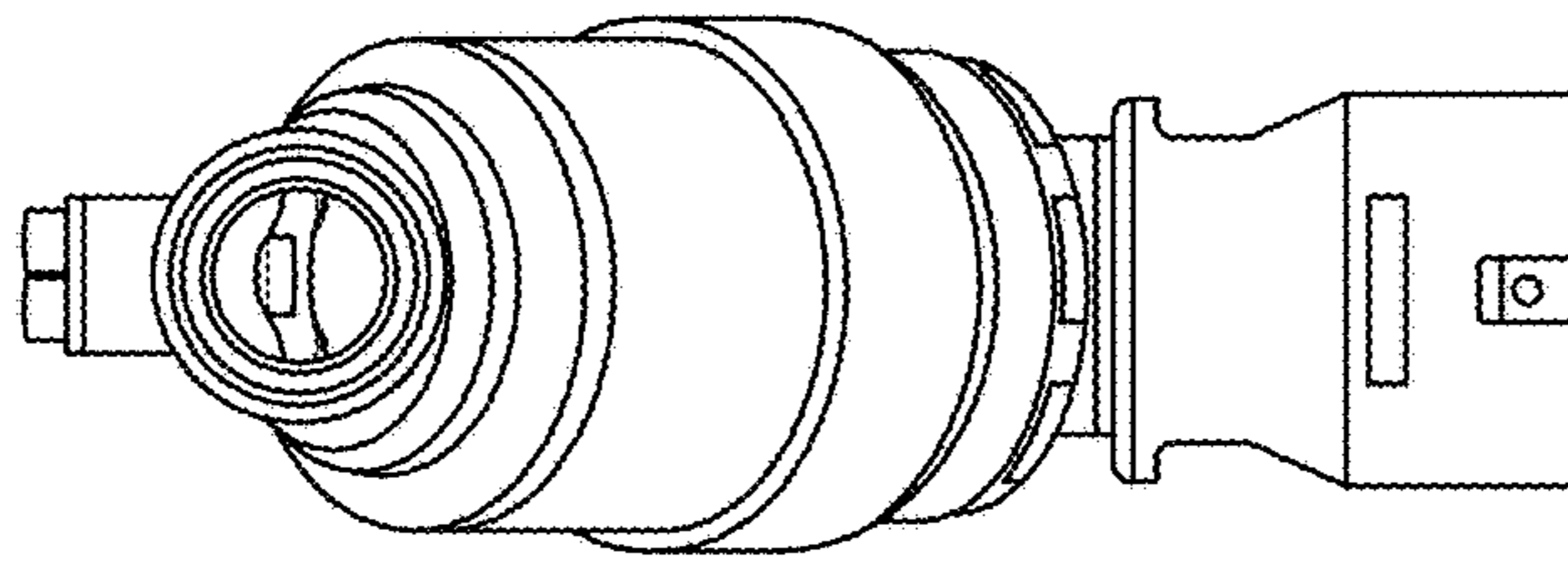


FIG. 4

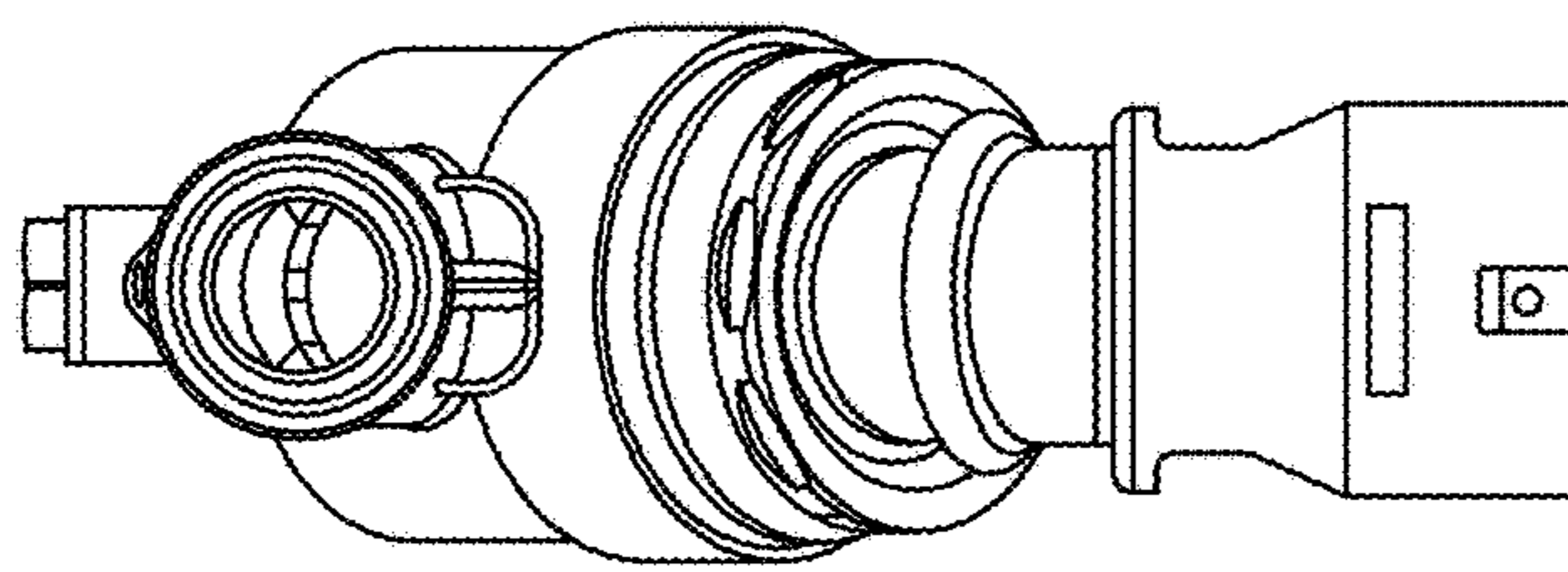


FIG. 3

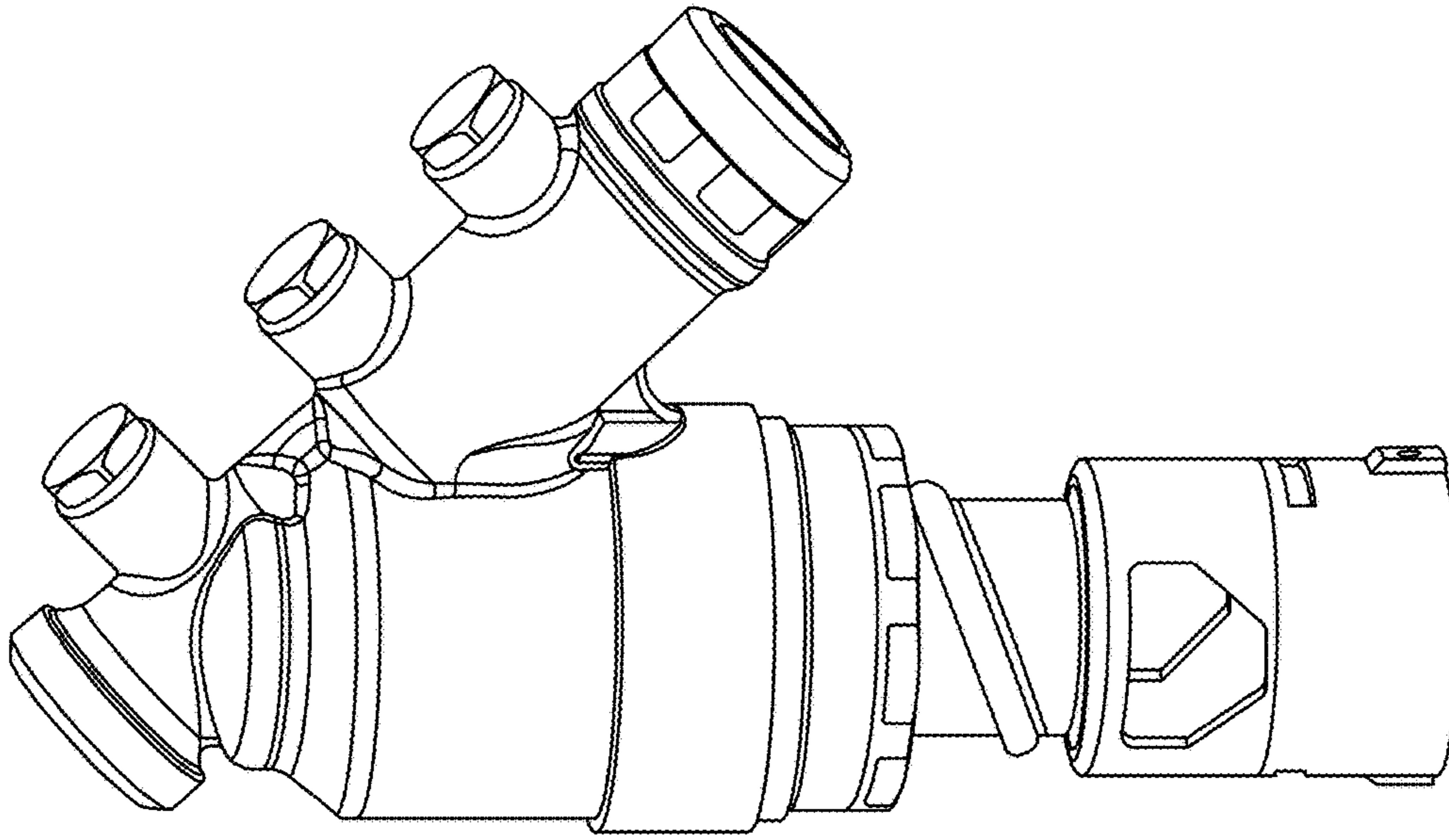


FIG. 6

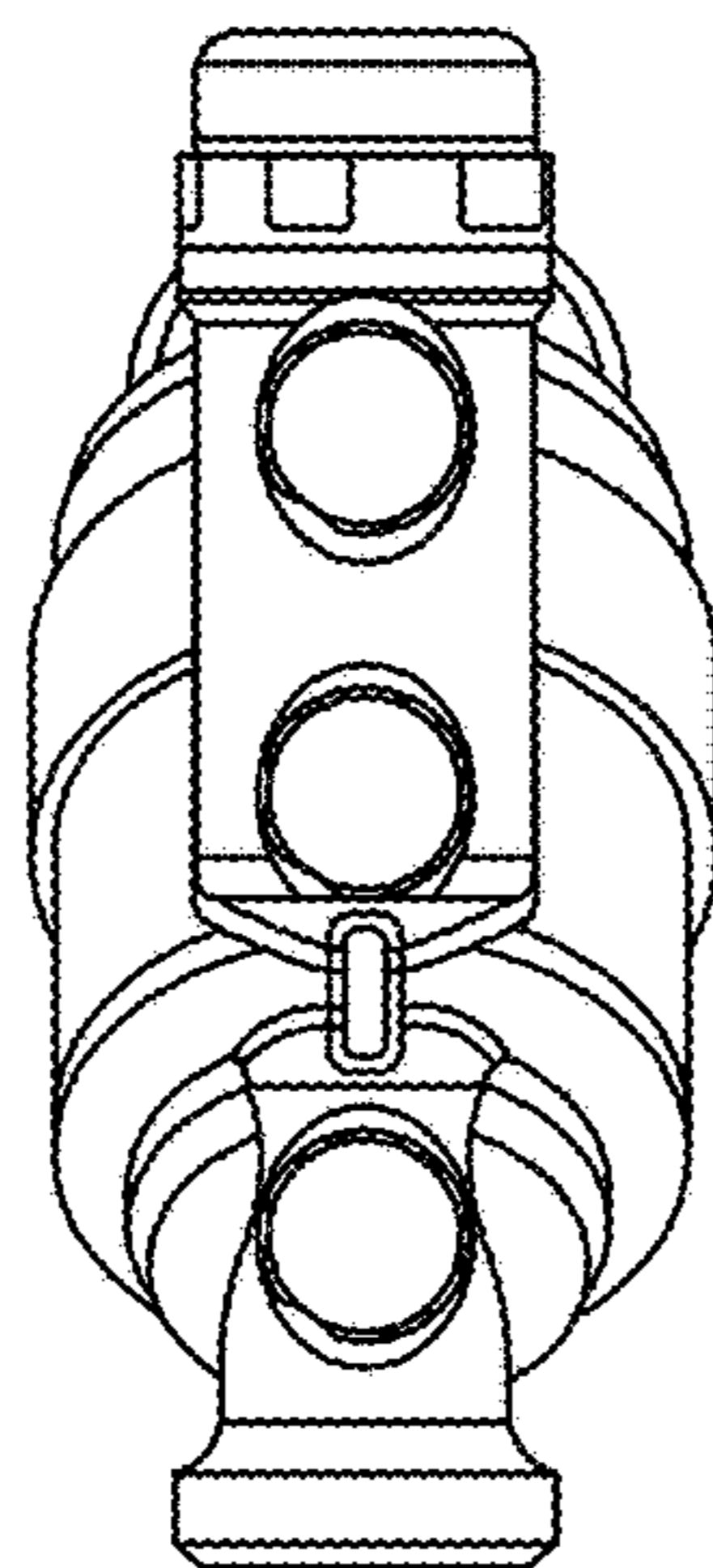


FIG. 5

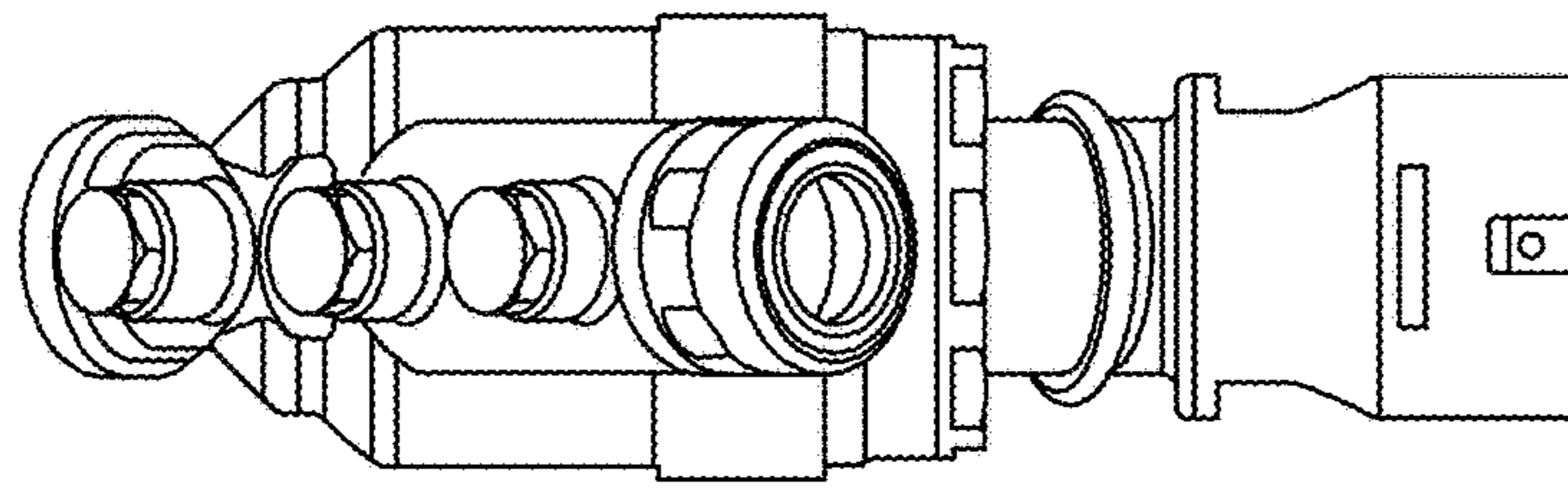


FIG. 8

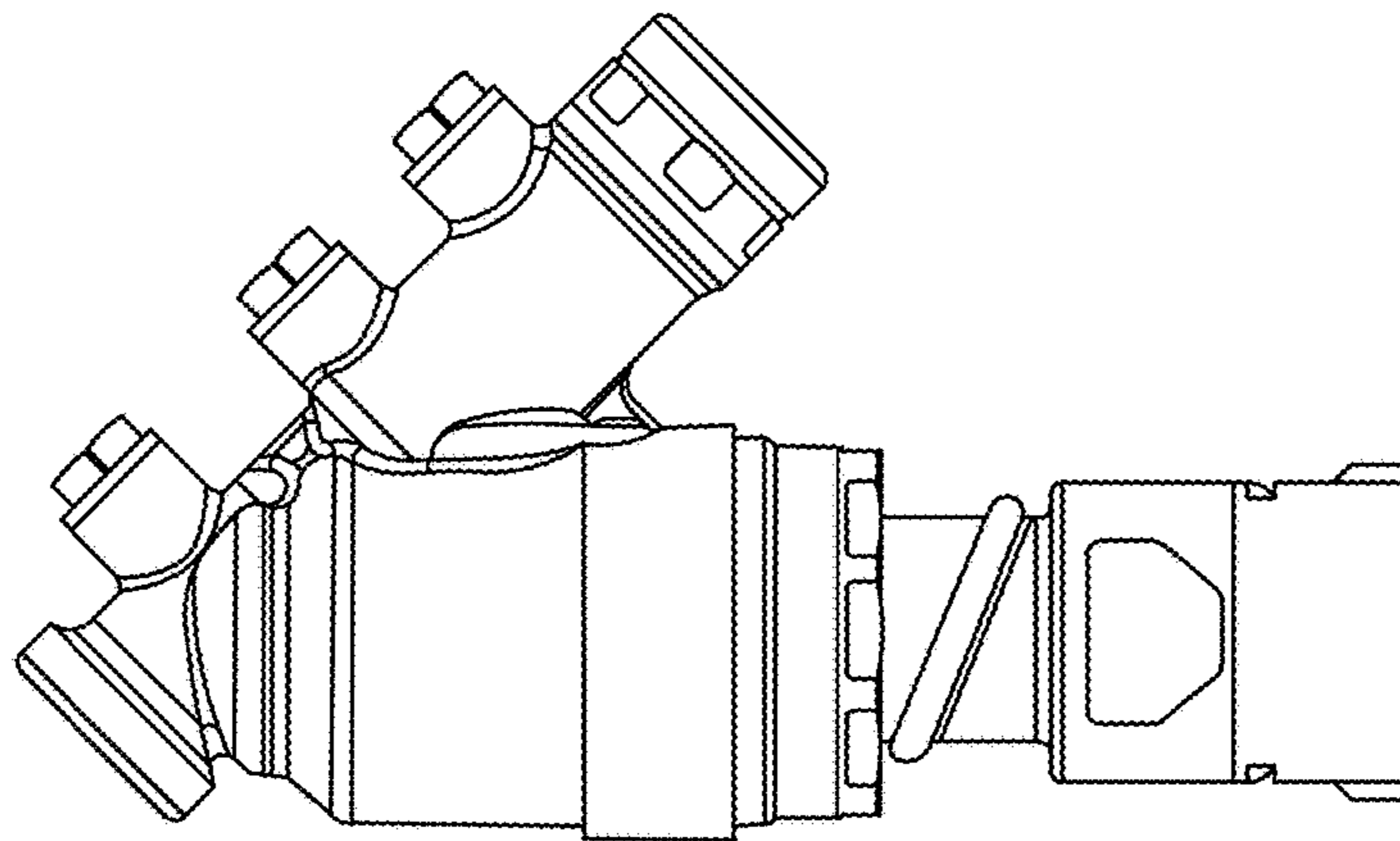


FIG. 7

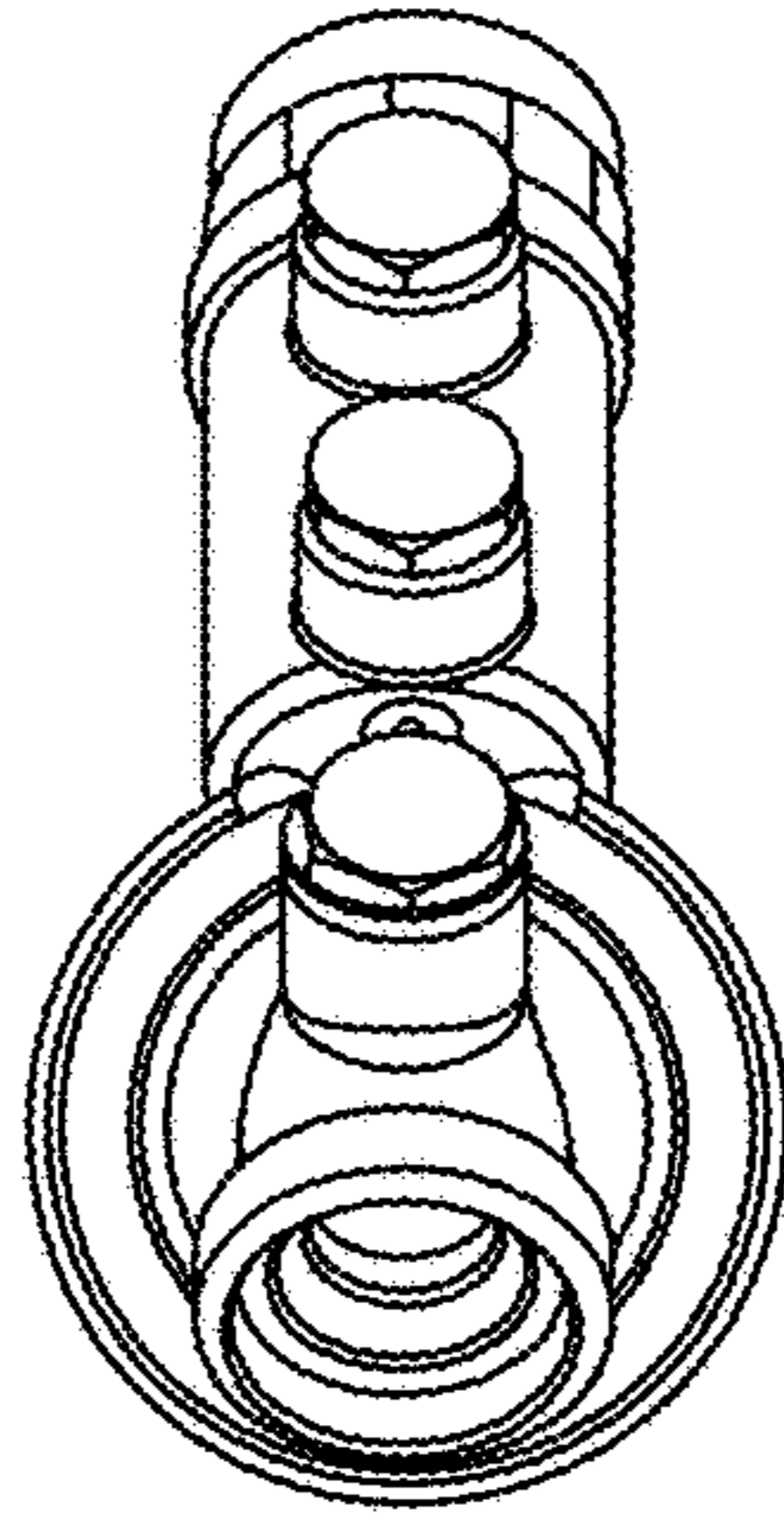


FIG. 10

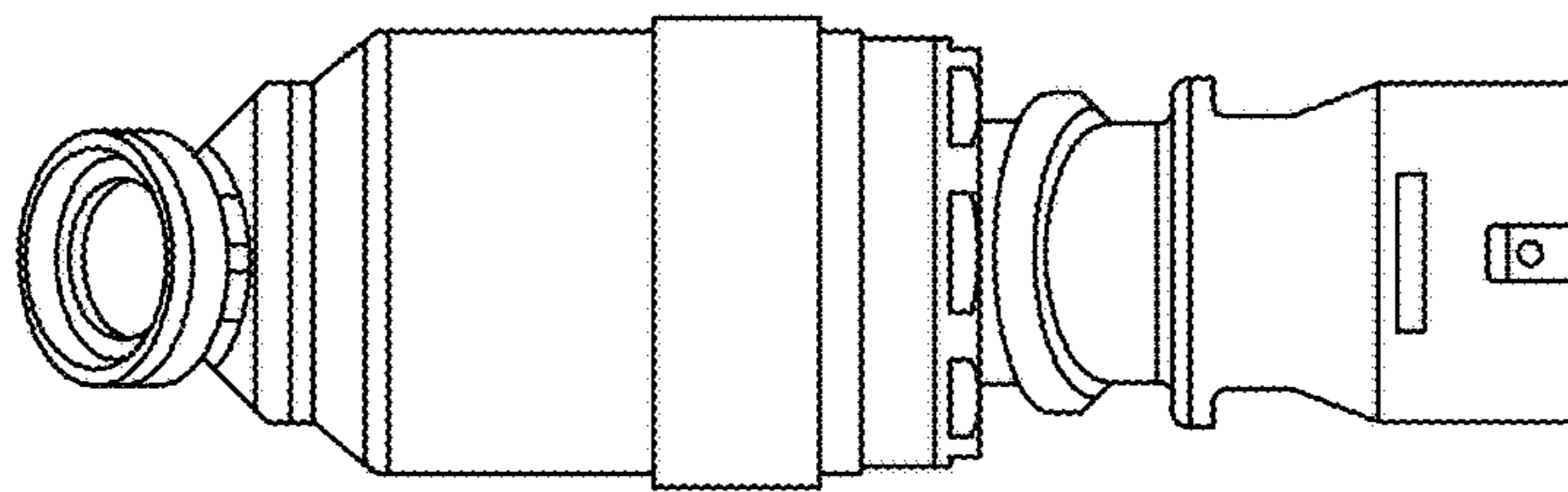


FIG. 9

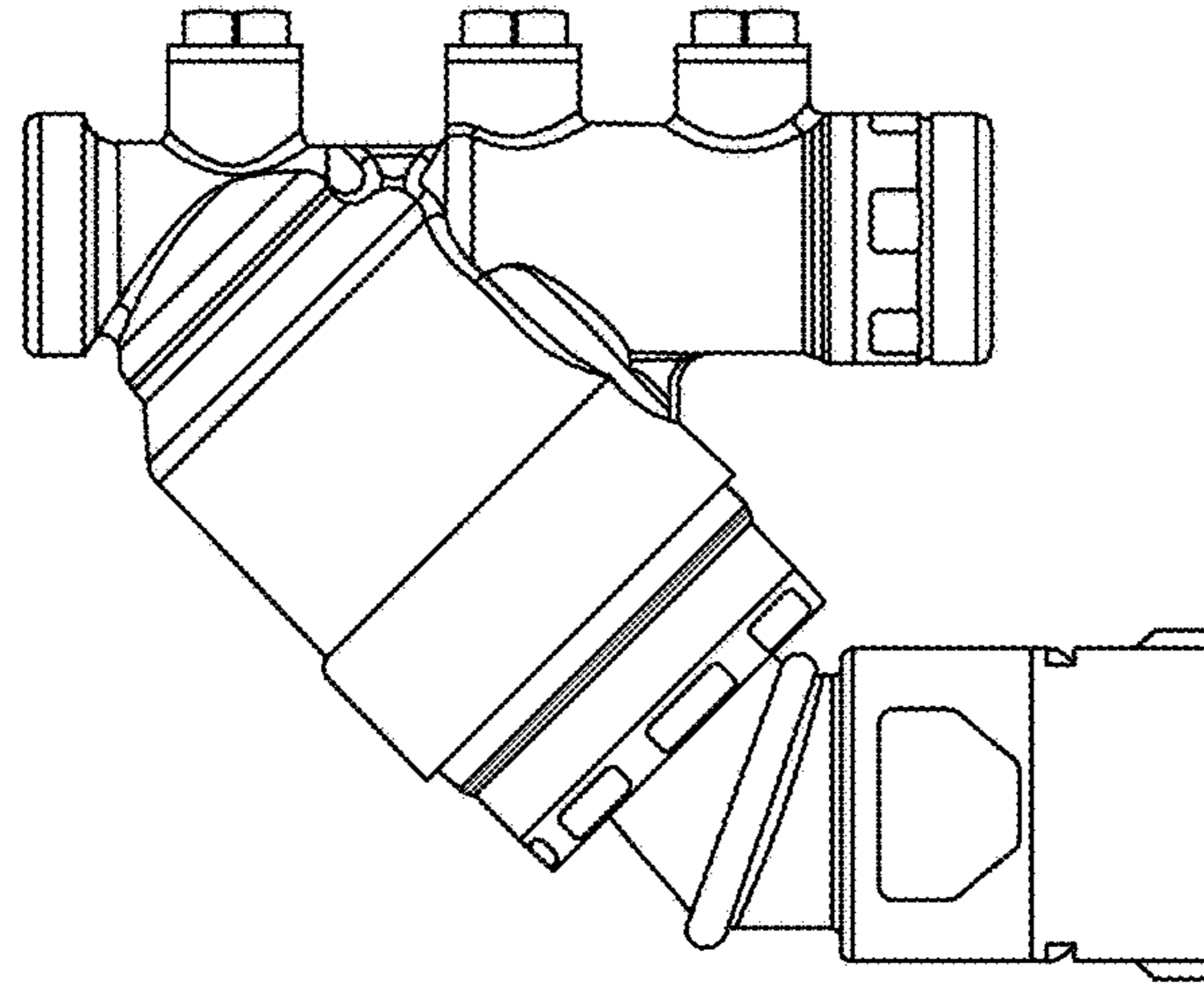


FIG.12

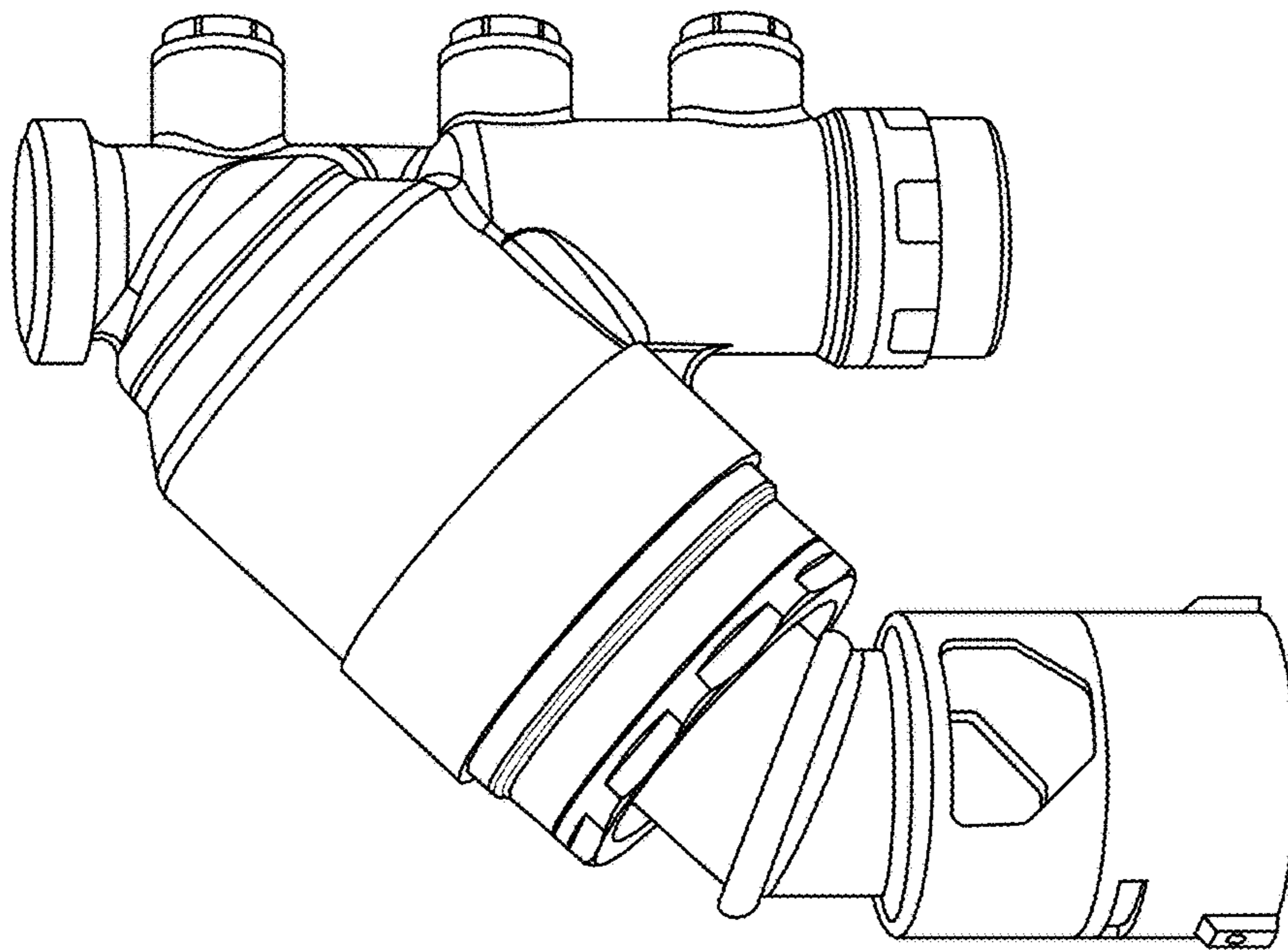


FIG.11

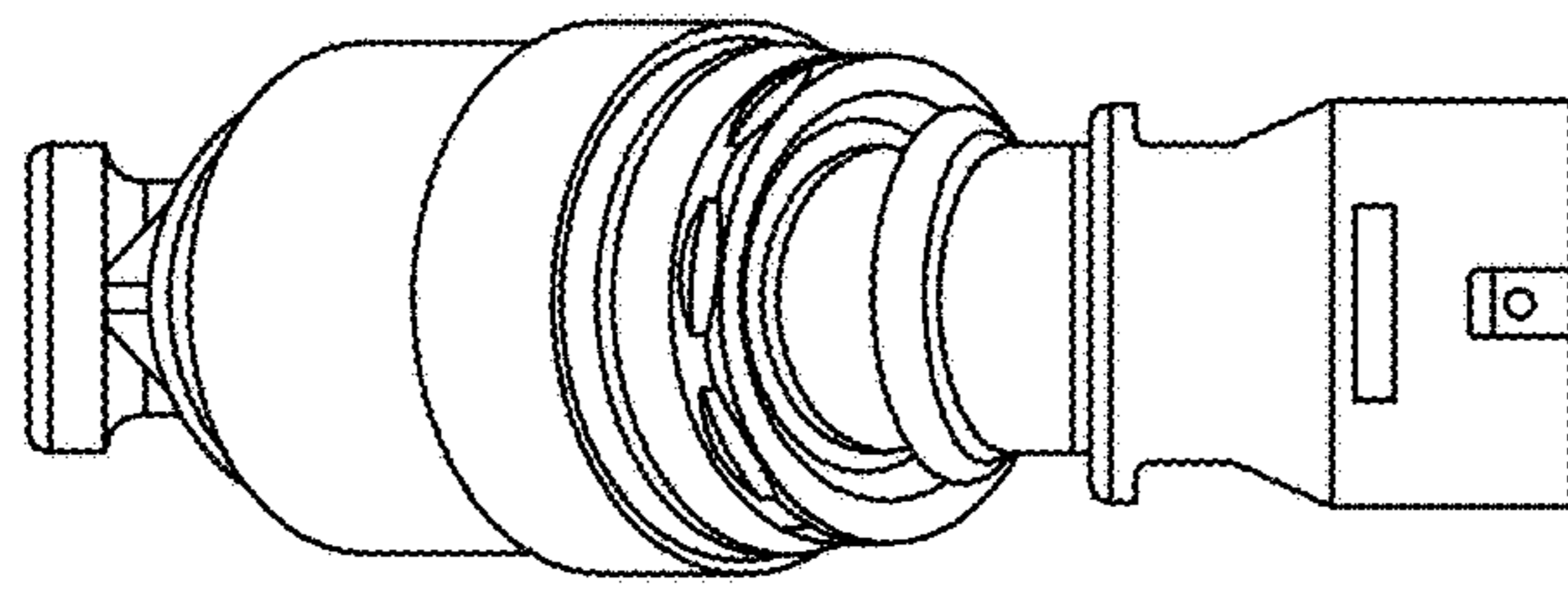


FIG.14

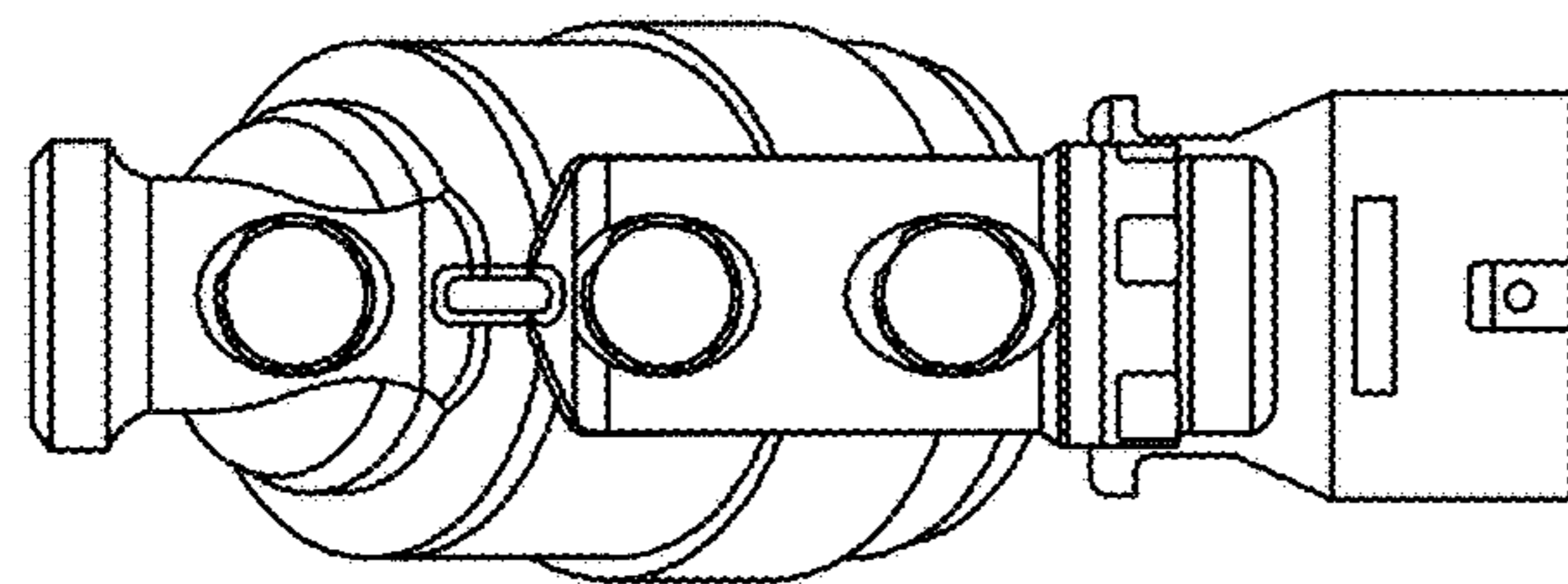


FIG.13

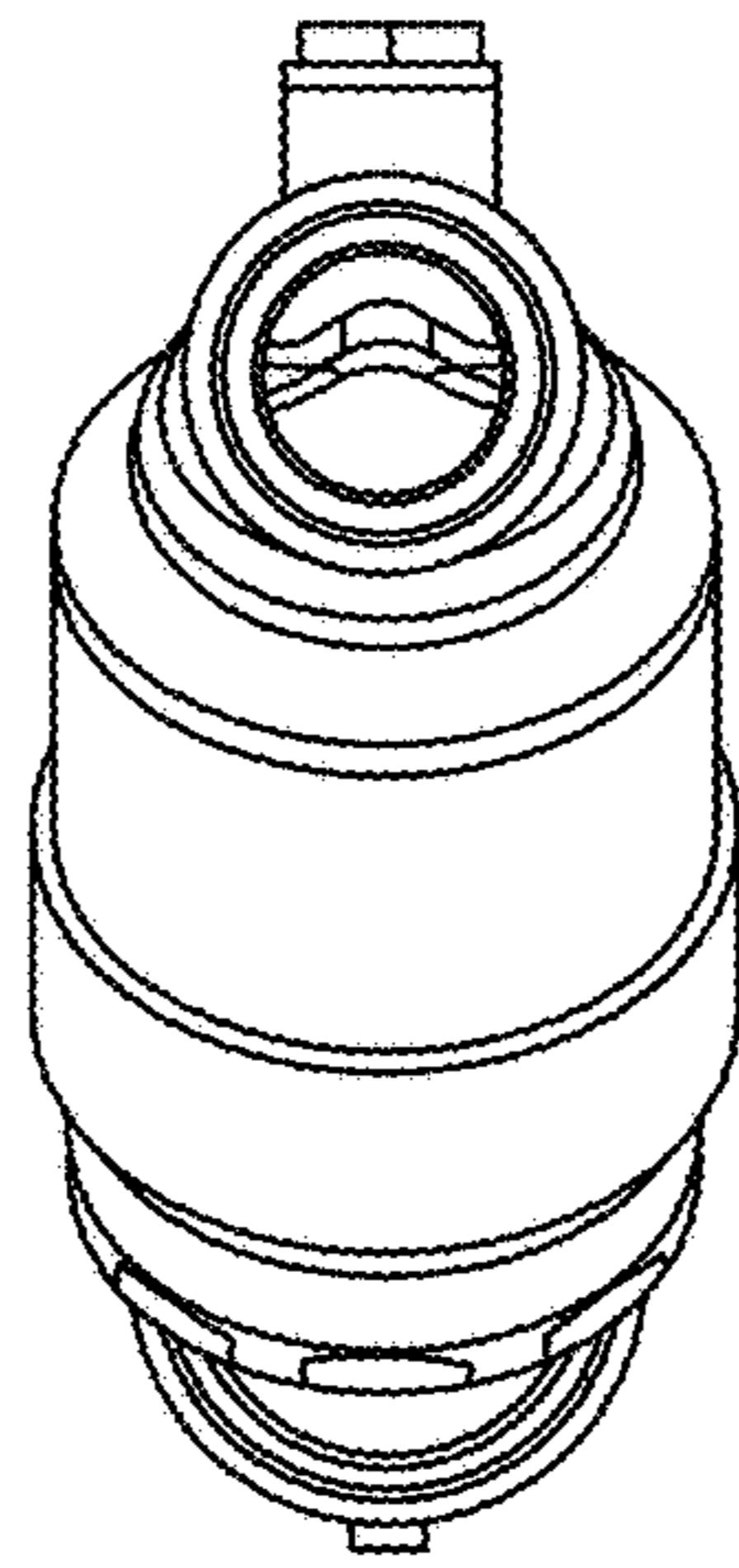


FIG.15