



US00D835753S

(12) **United States Design Patent**
Shamoulia

(10) **Patent No.:** **US D835,753 S**

(45) **Date of Patent:** **** Dec. 11, 2018**

(54) **BASKETBALL SHOWERHEAD**

(71) Applicant: **Simon Shamoulia**, Sherman Oaks, CA
(US)

(72) Inventor: **Simon Shamoulia**, Sherman Oaks, CA
(US)

(**) Term: **15 Years**

(21) Appl. No.: **29/606,515**

(22) Filed: **Jun. 5, 2017**

(51) **LOC (11) Cl.** **23-01**

(52) **U.S. Cl.**
USPC **D23/213**

(58) **Field of Classification Search**
USPC D23/213, 229, 230, 223; 239/556, 566,
239/548, 282, 211; 4/615; D21/780, 781
CPC .. B05B 1/18; B05B 1/14; B05B 1/185; B05B
3/0486; E03C 1/06
See application file for complete search history.

(56) **References Cited**

U.S. PATENT DOCUMENTS

D700,276 S * 2/2014 Bollerod D23/213
D700,277 S * 2/2014 Bollerod D23/213

D700,278 S * 2/2014 Bollerod D23/213
D700,279 S * 2/2014 Bollerod D23/213
D700,280 S * 2/2014 Bollerod D23/213
D700,281 S * 2/2014 Bollerod D23/213

* cited by examiner

Primary Examiner — Robin V Webster

(74) *Attorney, Agent, or Firm* — Lawrence S. Cohen

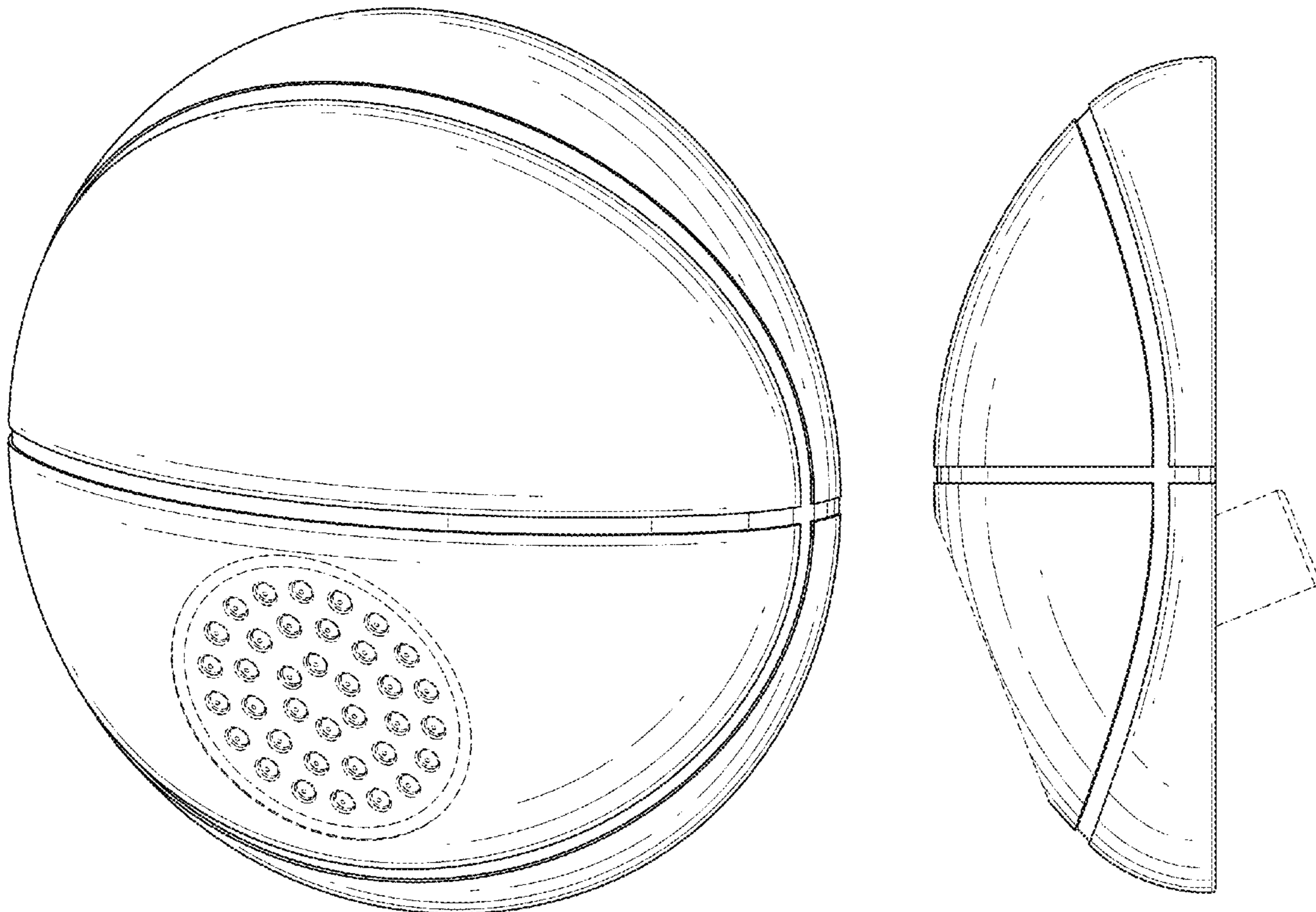
(57) **CLAIM**

The ornamental design for a basketball showerhead, as shown and described.

DESCRIPTION

FIG. 1 is a perspective view of a basketball showerhead showing my new design;
FIG. 2 is a front view thereof;
FIG. 3 is a left side view thereof;
FIG. 4 is a right side view thereof;
FIG. 5 is a top view thereof; and,
FIG. 6 is a bottom view thereof.
Dotted lines in the drawings form no part of the design sought to be patented for the embodiment in which the dotted lines appear.

1 Claim, 4 Drawing Sheets



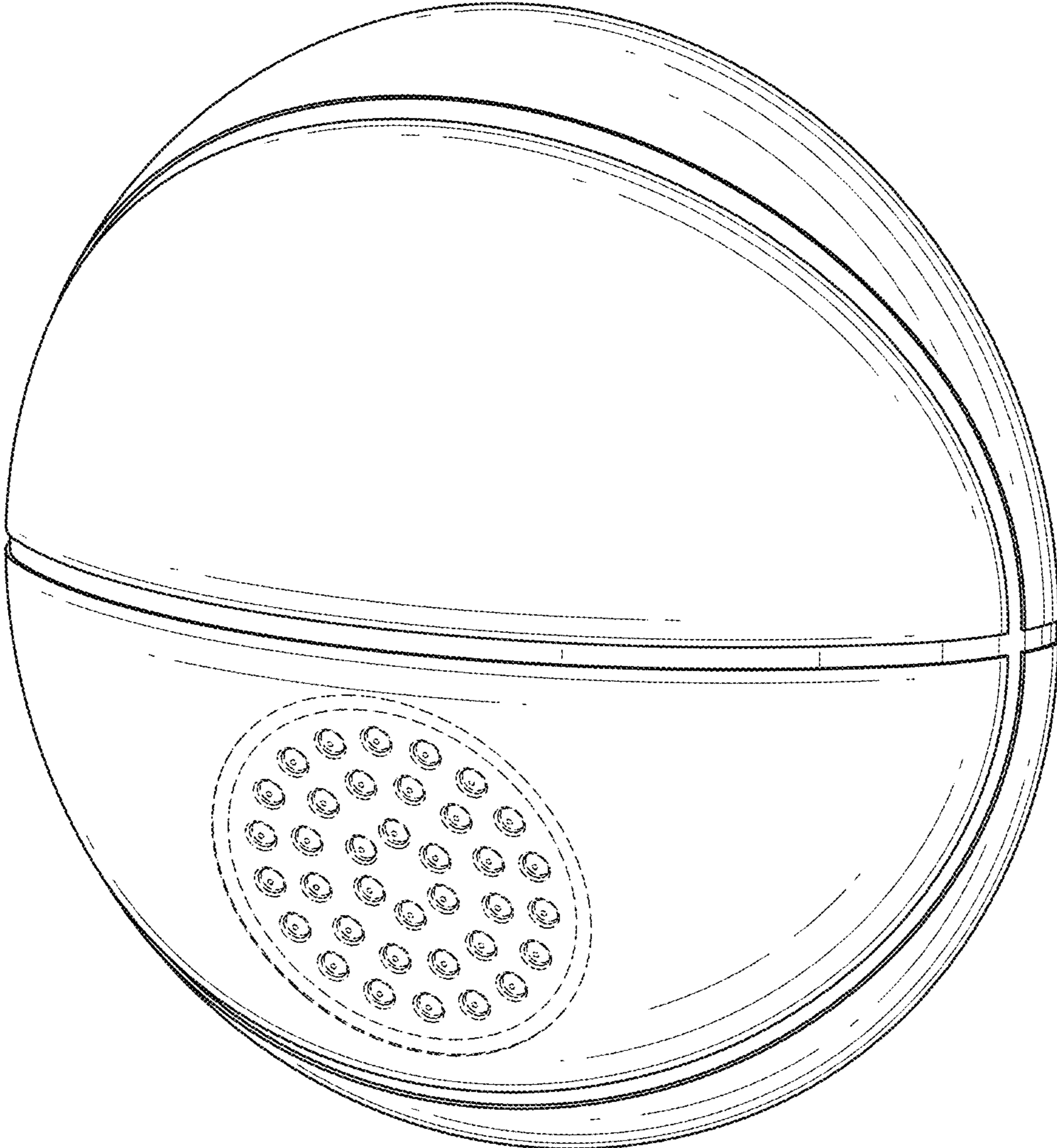


FIG. 1

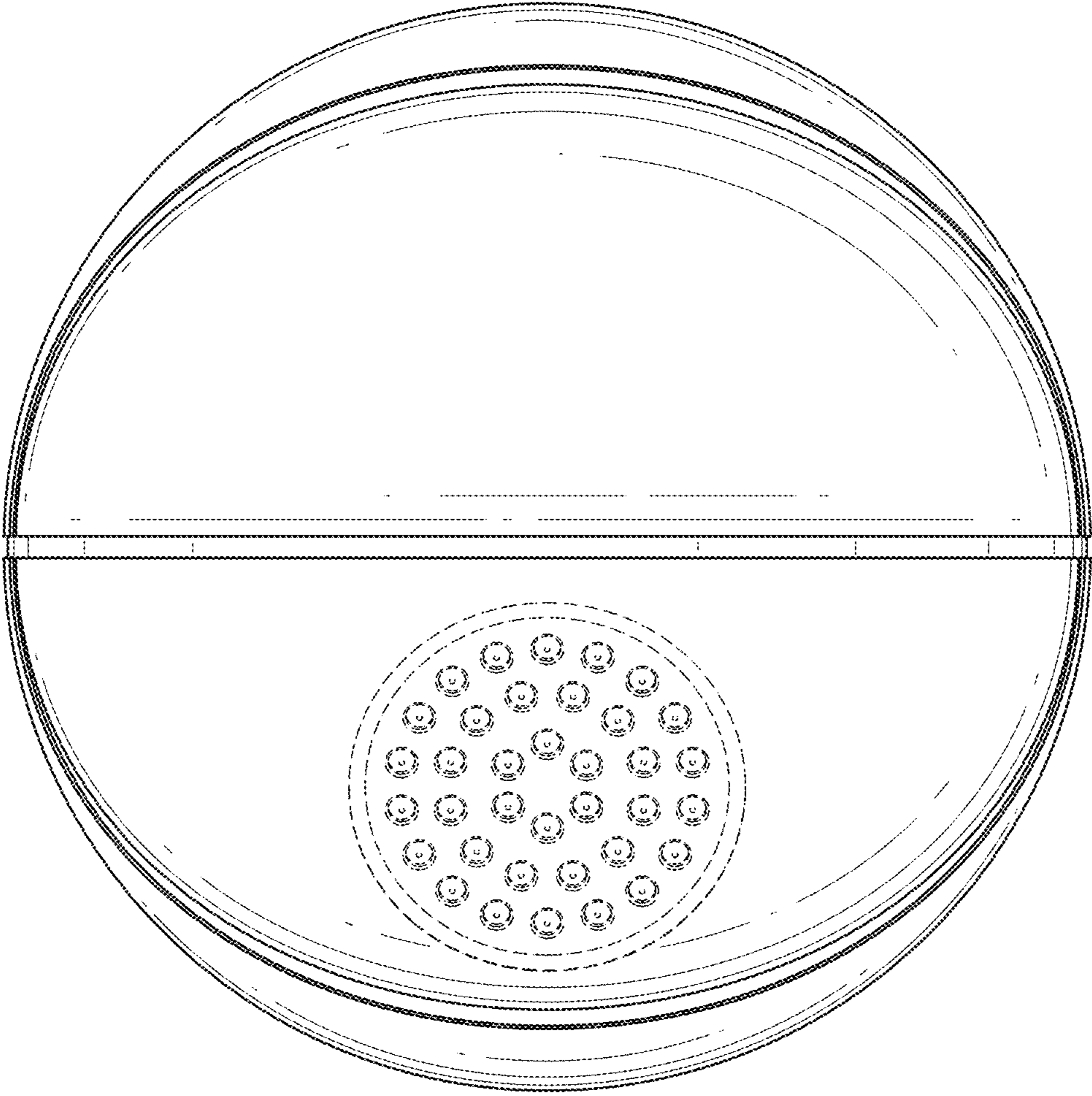


FIG. 2

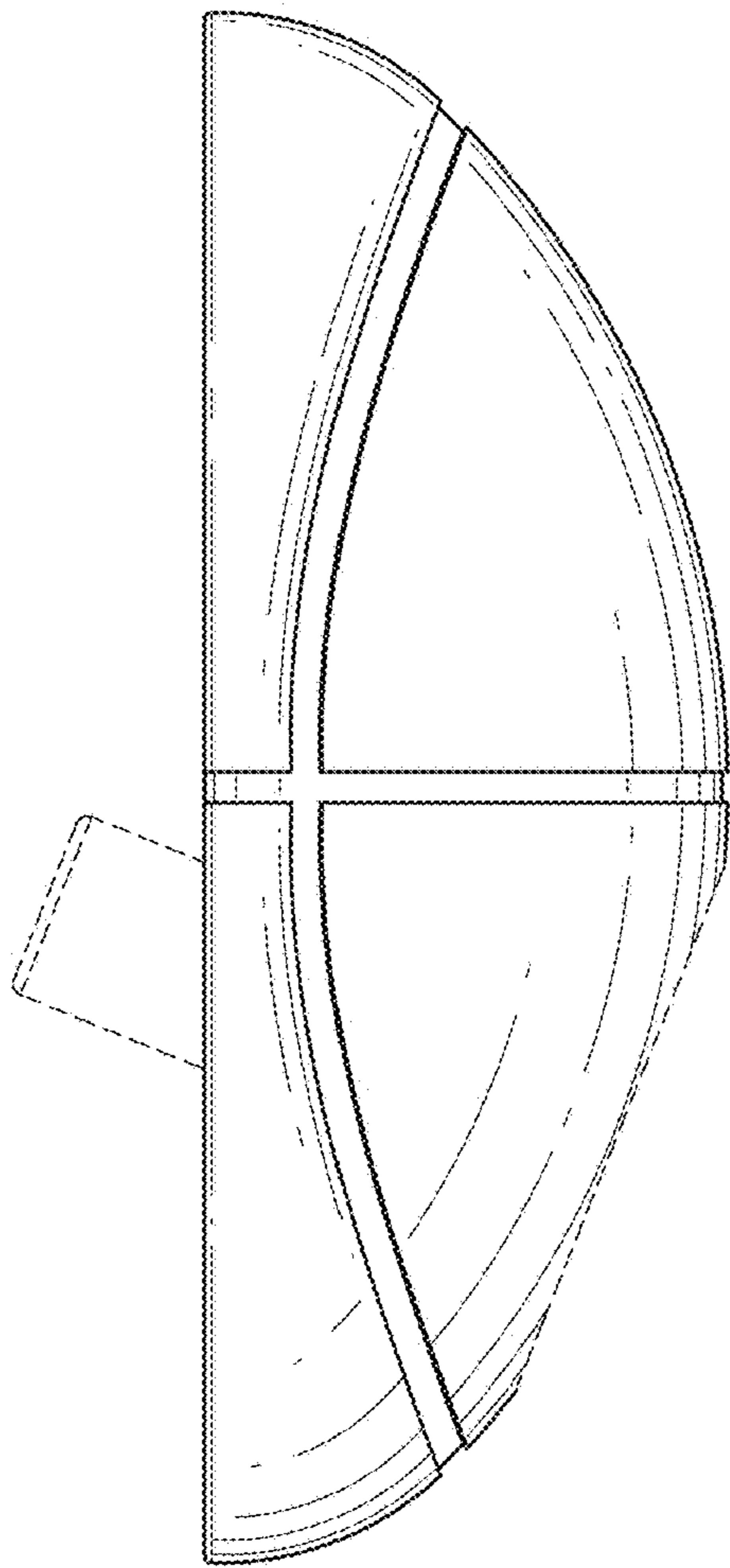


FIG. 3

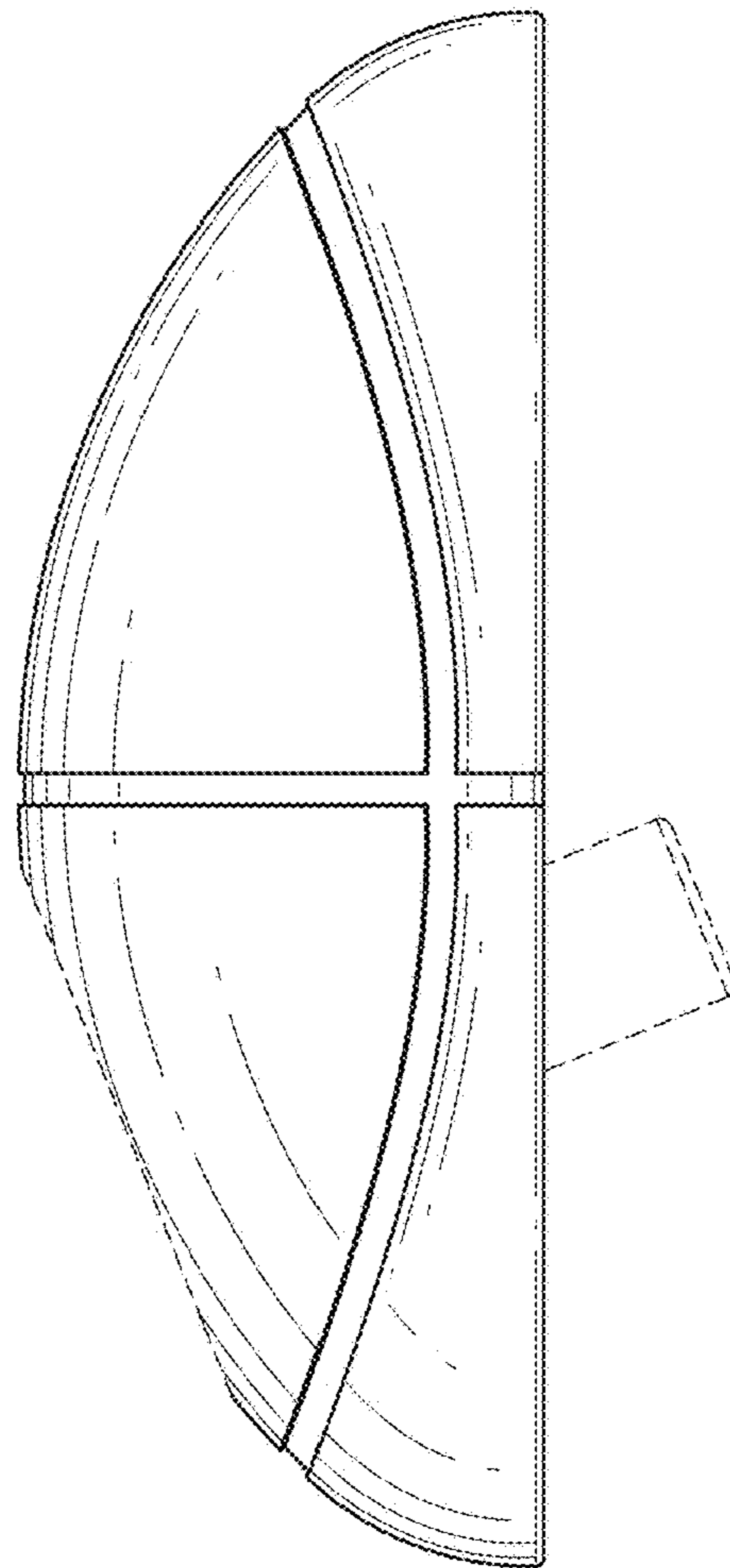


FIG. 4

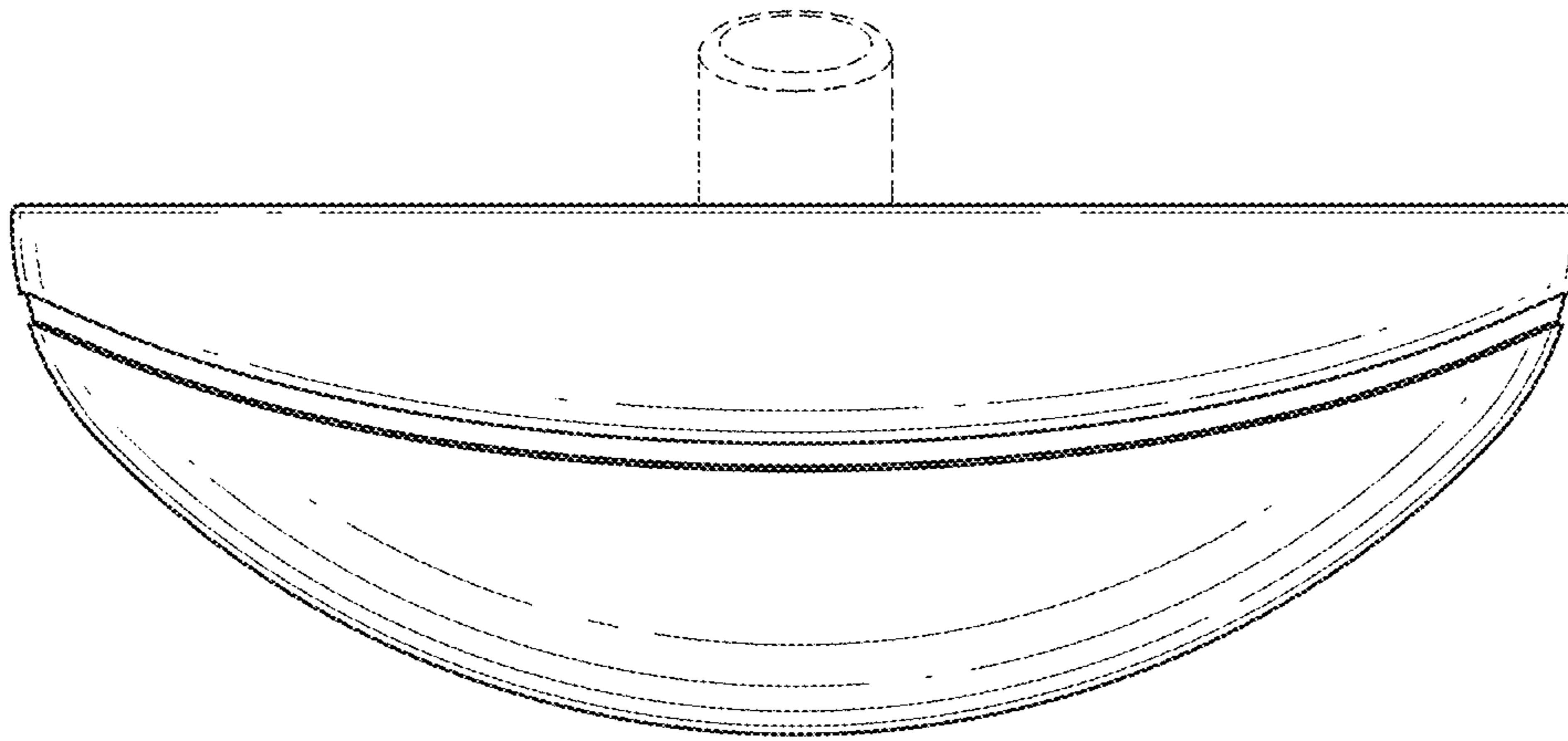


FIG. 5

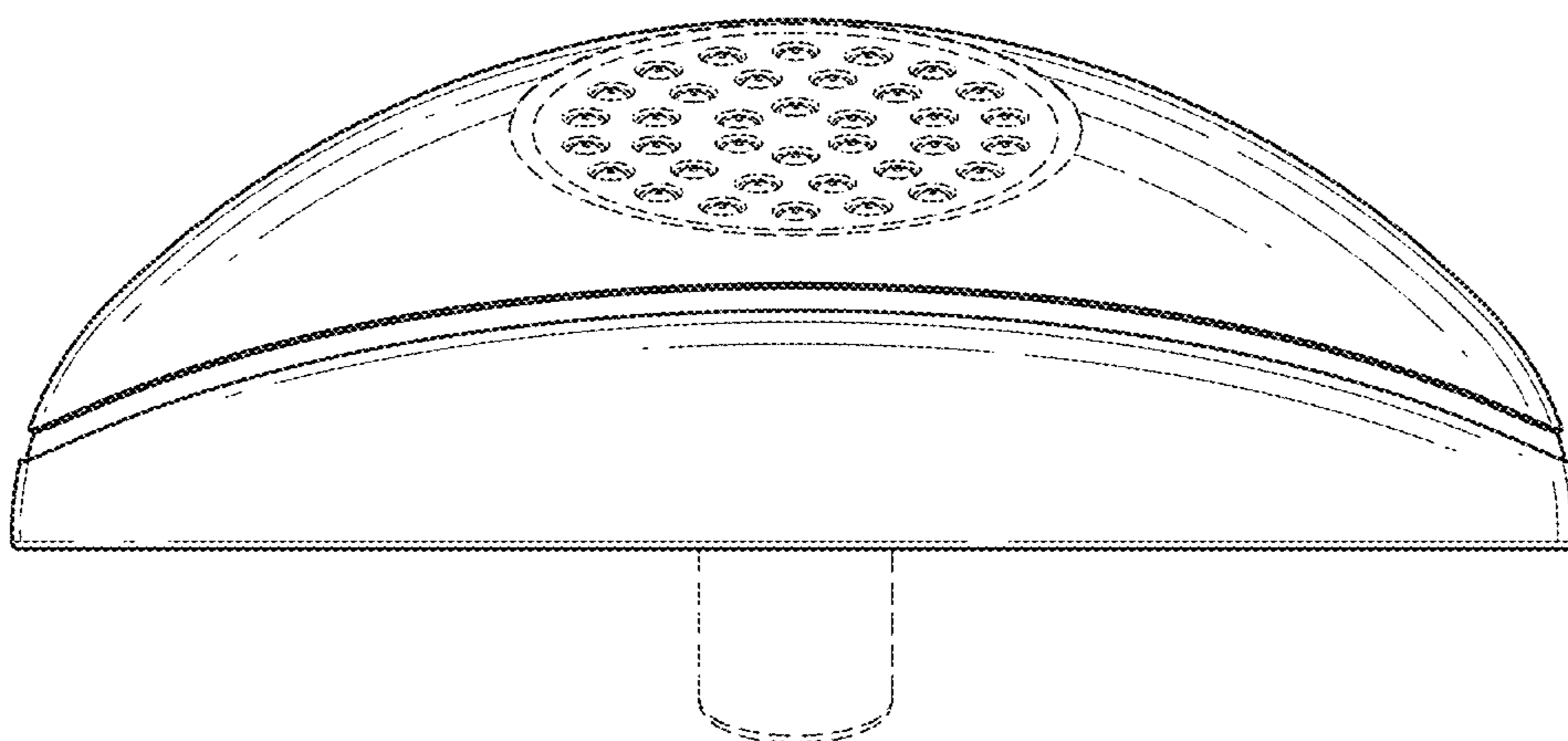


FIG. 6