



US00D835752S

(12) **United States Design Patent**
Spiegel

(10) **Patent No.:** **US D835,752 S**

(45) **Date of Patent:** **** Dec. 11, 2018**

(54) **WATER FILTER**

(71) Applicant: **Aqua Tru, LLC**, Sherman Oaks, CA
(US)

(72) Inventor: **Peter G. Spiegel**, Sherman Oaks, CA
(US)

(73) Assignee: **Aqua Tru, LLC**, Sherman Oaks, CA
(US)

(**) Term: **15 Years**

(21) Appl. No.: **29/603,180**

(22) Filed: **May 8, 2017**

(51) **LOC (11) Cl.** **23-01**

(52) **U.S. Cl.**
USPC **D23/209**

(58) **Field of Classification Search**
USPC D23/207, 209; 210/232, 282, 493.2
CPC B01D 35/30; B01D 35/153; B01D 29/111;
C02F 1/003; B29C 47/682
See application file for complete search history.

(56) **References Cited**

U.S. PATENT DOCUMENTS

D322,836 S *	12/1991	Petrucci	D23/209
D472,299 S *	3/2003	Fritze	B01D 35/30
				D23/209
D494,654 S *	8/2004	Macaulay	D23/209
D541,371 S *	4/2007	McKay	D23/209
D547,821 S *	7/2007	Kennedy	D23/207
D599,880 S *	9/2009	Rampen	D23/209
D654,565 S *	2/2012	Kruckenberg	D23/209
D655,378 S *	3/2012	Kruckenberg	D23/209
8,474,631 B2 *	7/2013	Kocksch	B01D 29/21
				210/450
D731,616 S *	6/2015	Zou	D23/209
D760,868 S *	7/2016	Lu	D23/209
D764,021 S *	8/2016	Lu	D23/209
D770,011 S *	10/2016	Nelson	D23/209

D773,608 S *	12/2016	Nelson	D23/209
D774,623 S *	12/2016	Lu	D23/209
D788,879 S *	6/2017	Zou	D23/209
D792,943 S *	7/2017	Zou	D23/209
D794,749 S *	8/2017	Zou	D23/209
D794,750 S *	8/2017	Zou	B01D 29/21
				D23/209
D794,751 S *	8/2017	Zou	D23/209
D795,995 S *	8/2017	Zou	B01D 35/30
				D23/209
9,868,081 B1 *	1/2018	Zhang	B01D 35/153

* cited by examiner

Primary Examiner — Robin V Webster

(74) *Attorney, Agent, or Firm* — Eversheds Sutherland
(US) LLP

(57) **CLAIM**

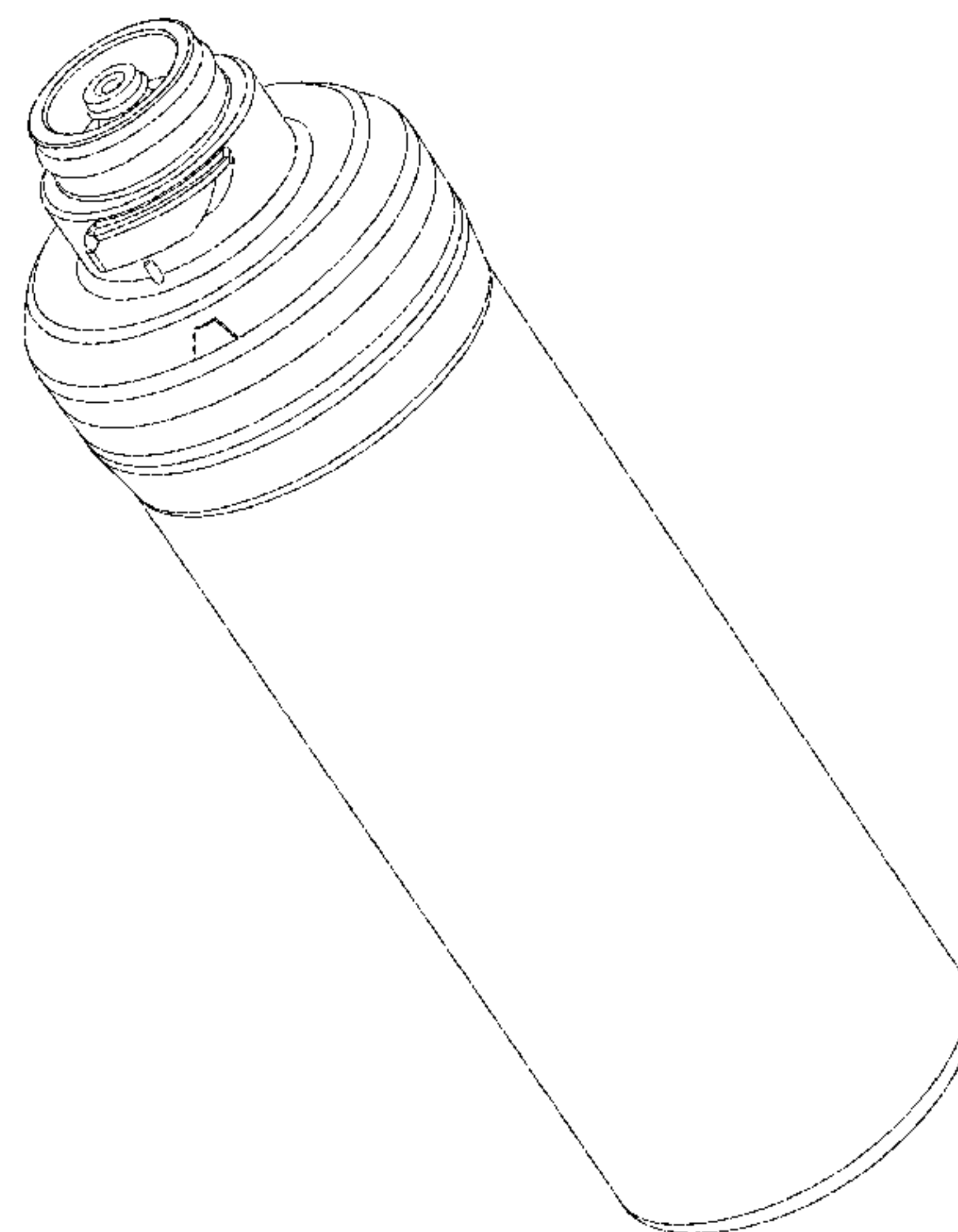
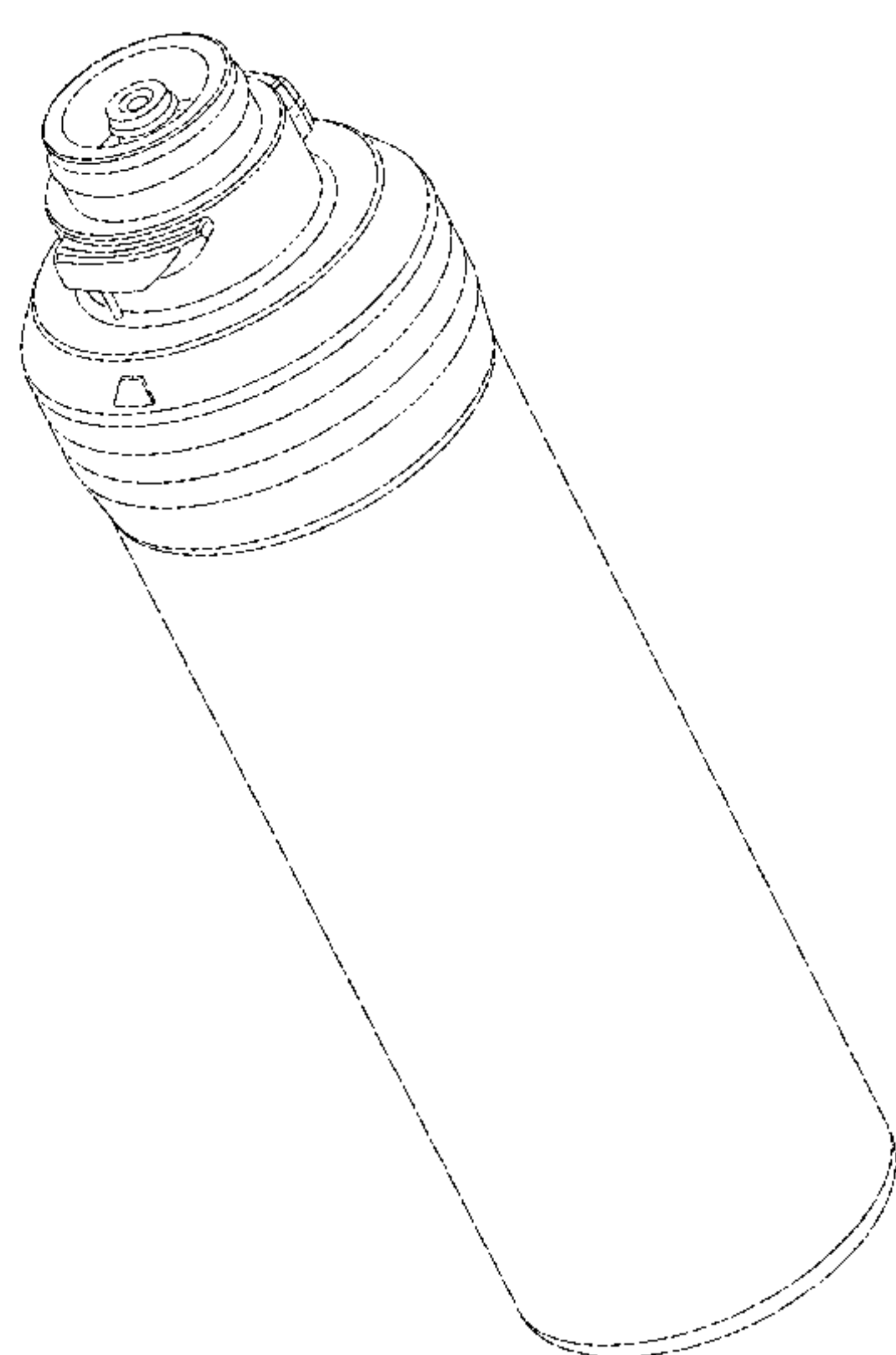
I claim the ornamental design for a water filter, as shown and described.

DESCRIPTION

FIG. 1 is an isometric view of a water filter according to a first embodiment of the disclosure;
FIG. 2 is a front view thereof;
FIG. 3 is a back view thereof;
FIG. 4 is a side view thereof;
FIG. 5 is a side view thereof;
FIG. 6 is a top view thereof;
FIG. 7 is a bottom view thereof;
FIG. 8 is an isometric view of a water filter according to a second embodiment of the disclosure;
FIG. 9 is a front view thereof;
FIG. 10 is a back view thereof;
FIG. 11 is a side view thereof;
FIG. 12 is a side view thereof;
FIG. 13 is a top view thereof; and,
FIG. 14 is a bottom view thereof.

The broken lines in the drawings depict parts of the water filters that form no part of the claimed designs.

1 Claim, 12 Drawing Sheets



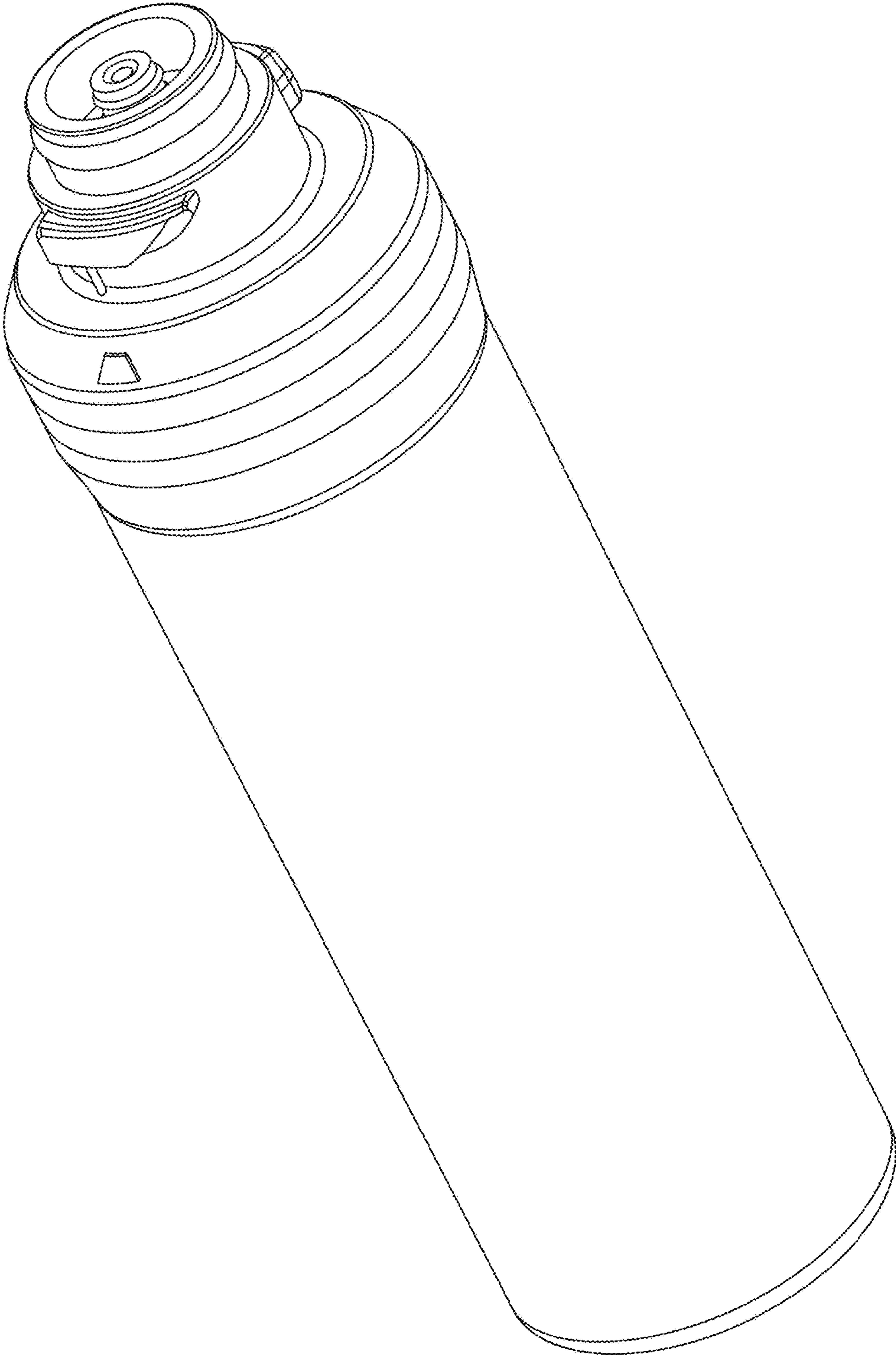


FIG. 1

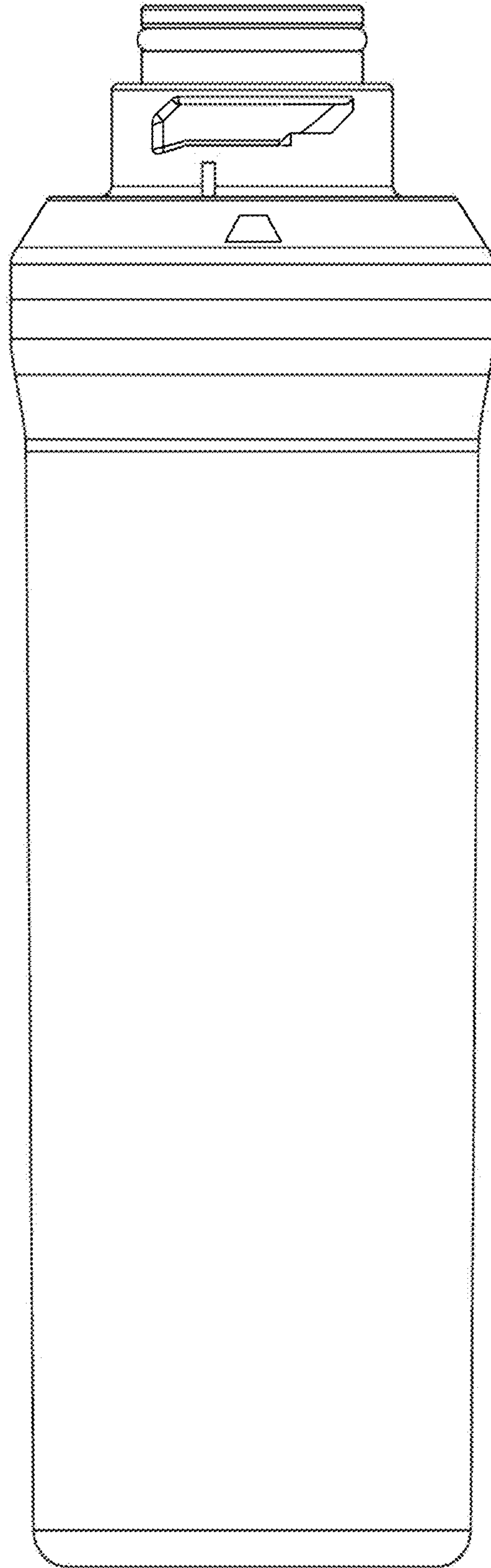


FIG. 2

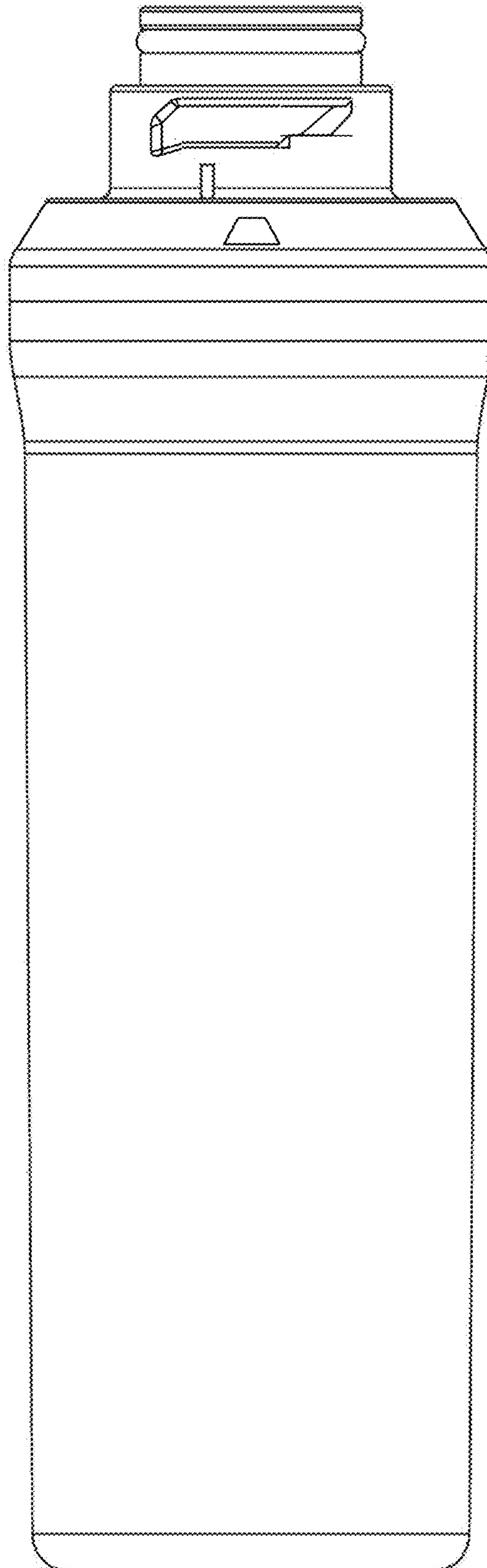


FIG. 3

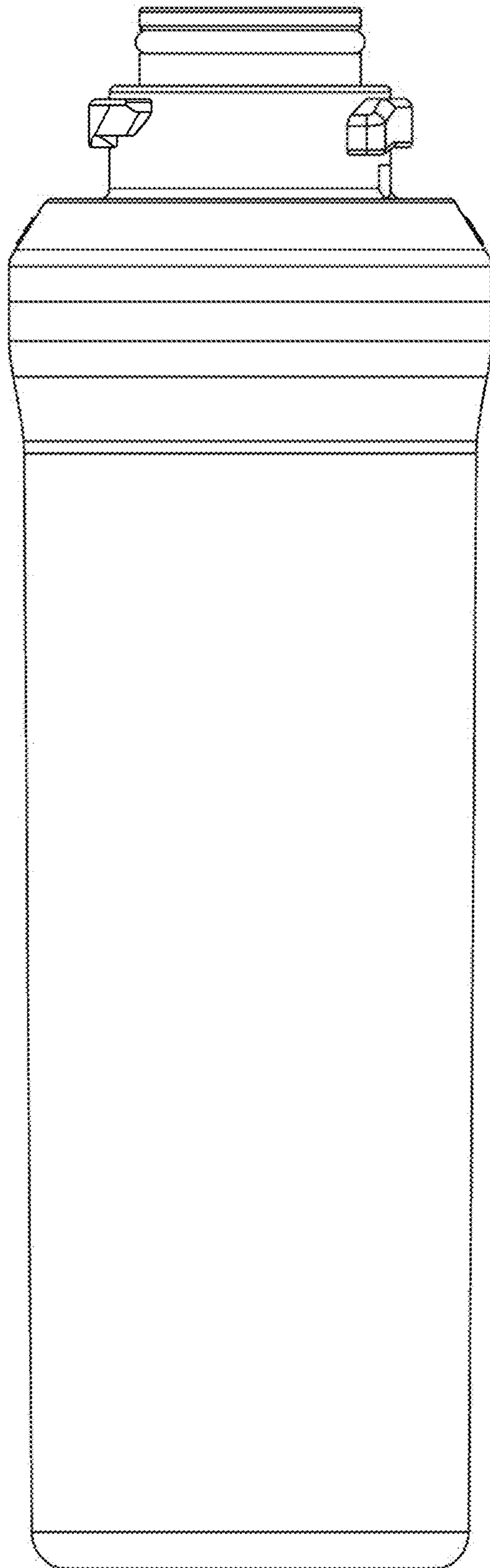


FIG. 4

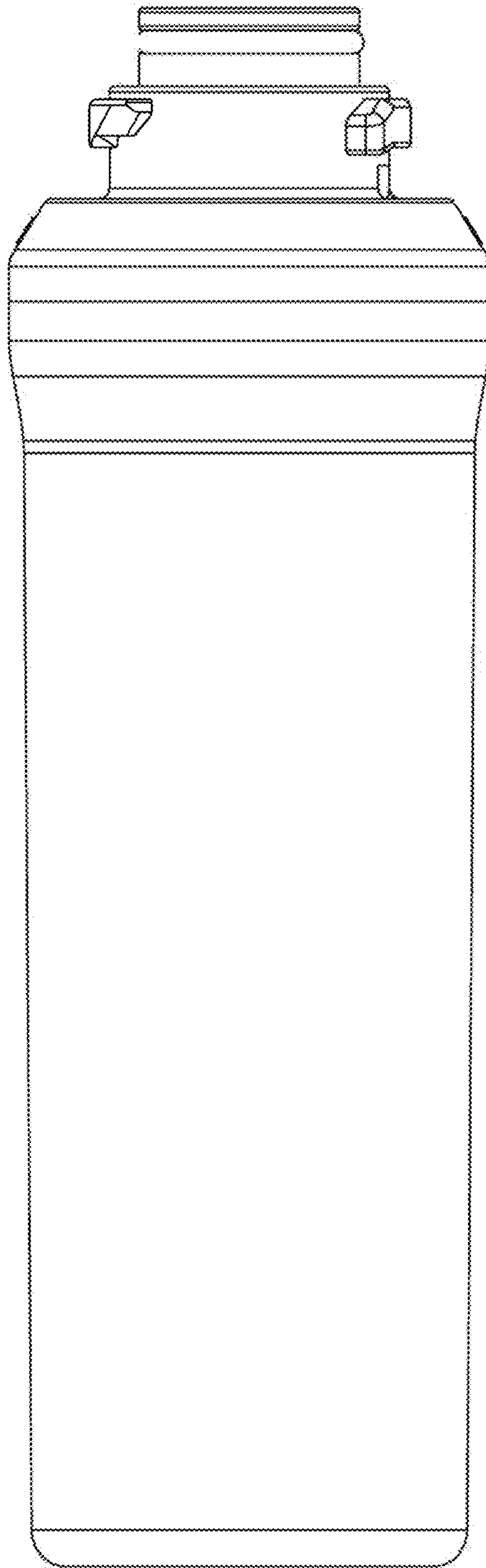


FIG. 5

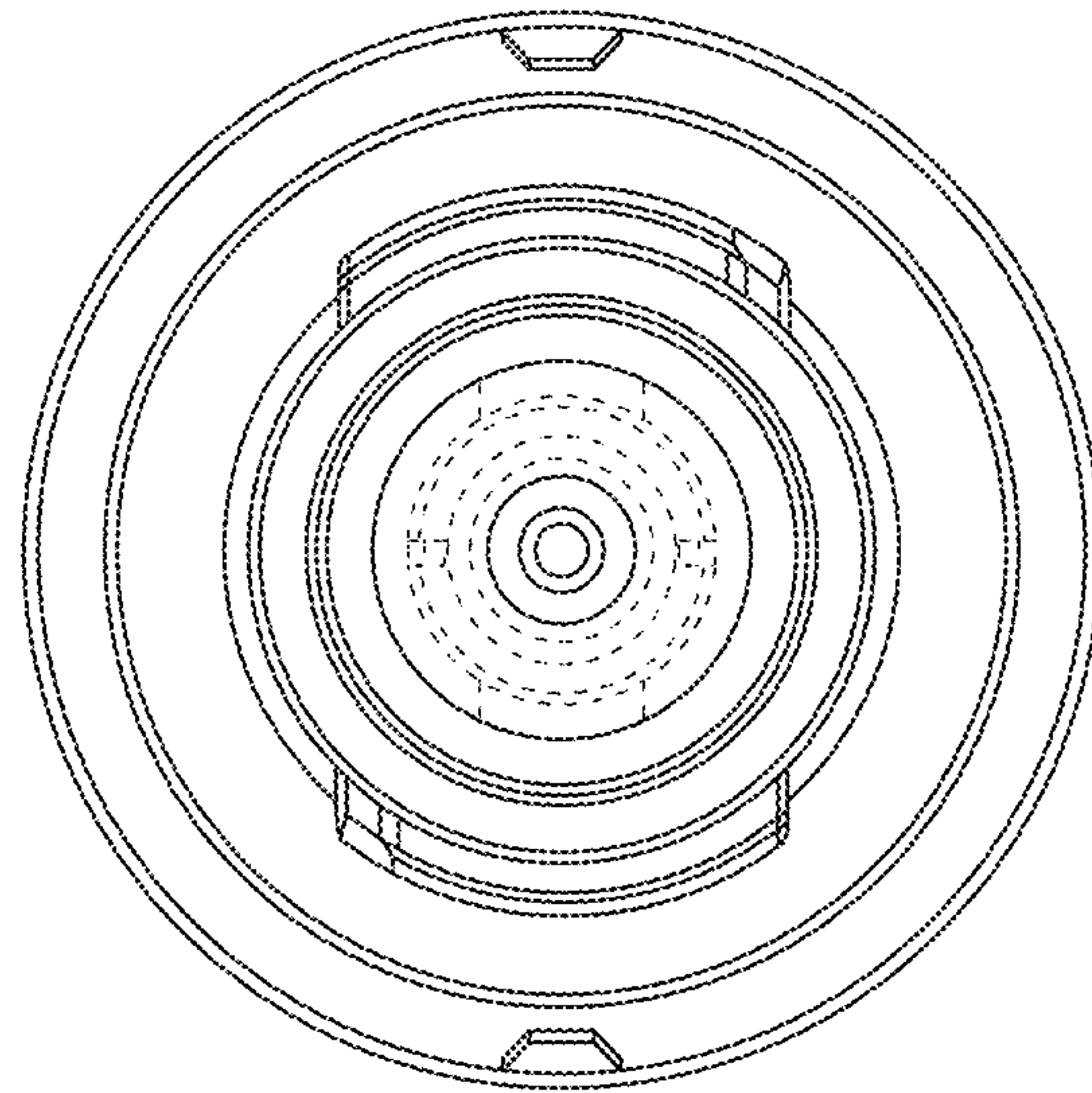


FIG. 6

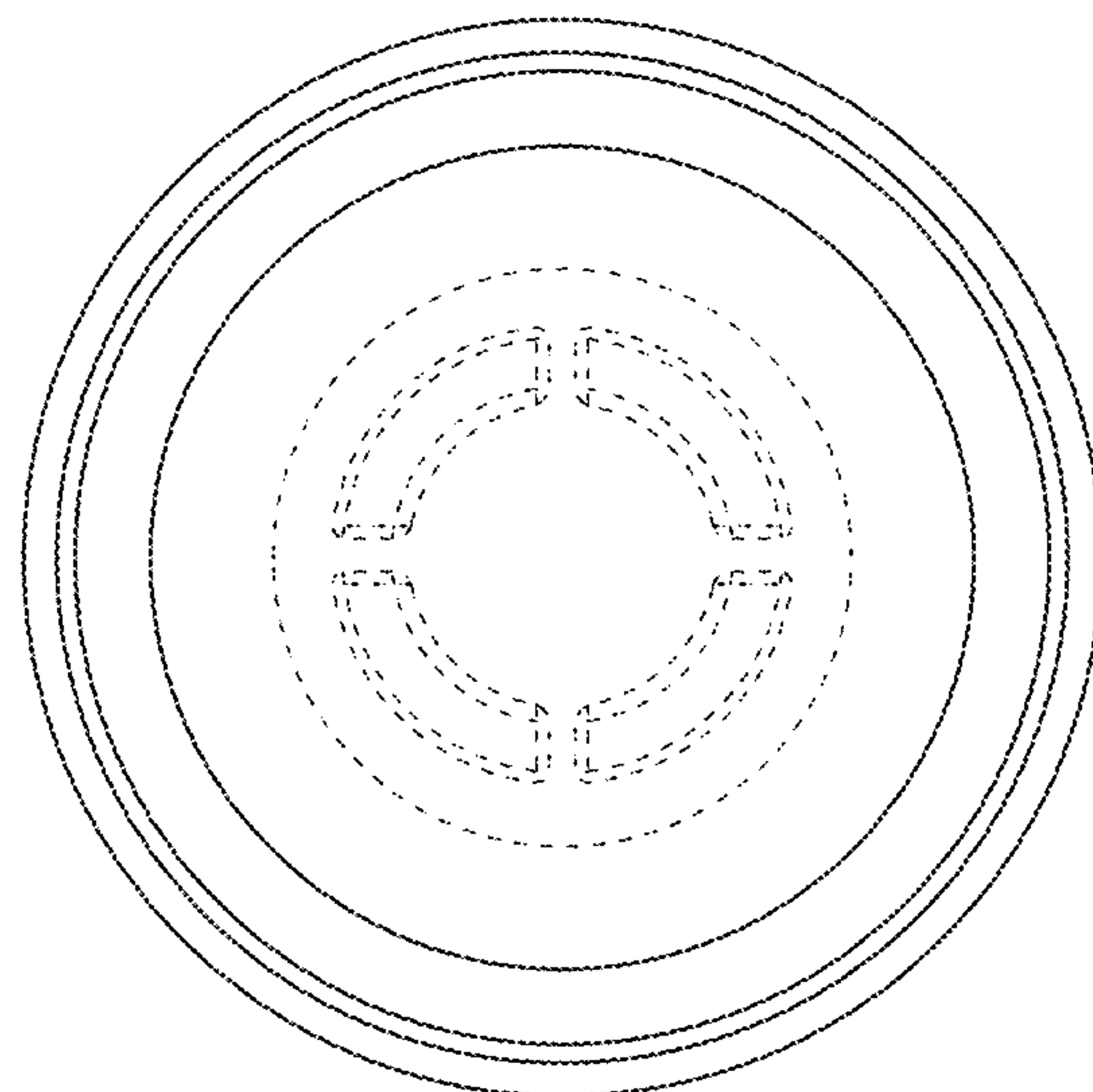


FIG. 7

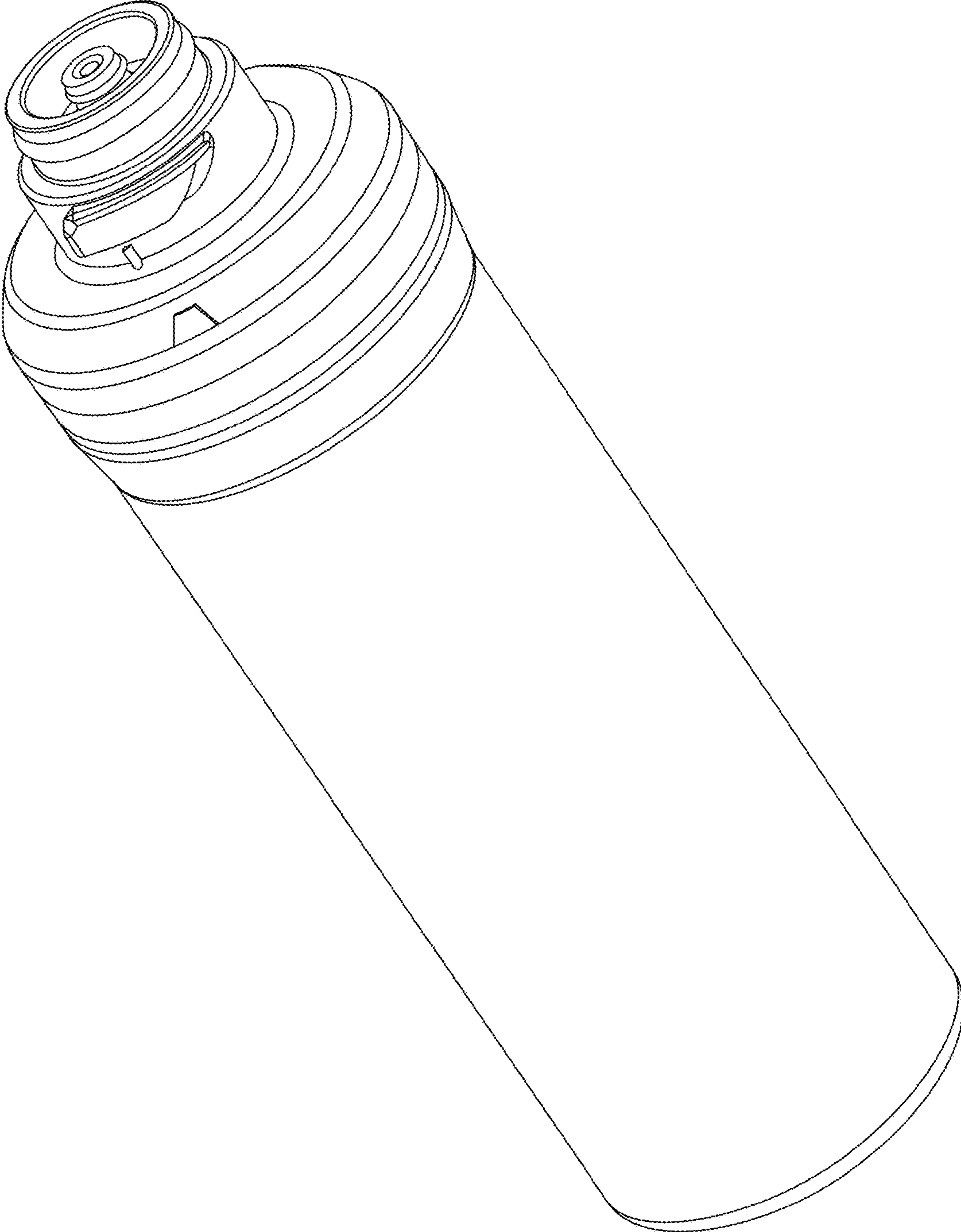


FIG. 8

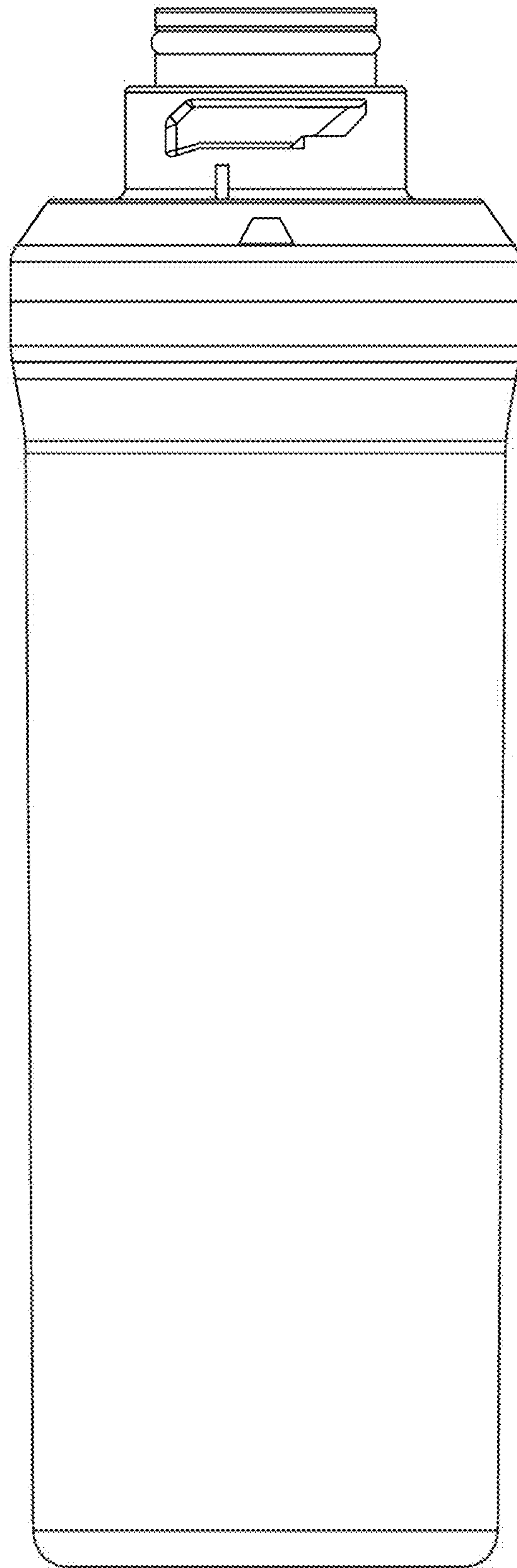


FIG. 9

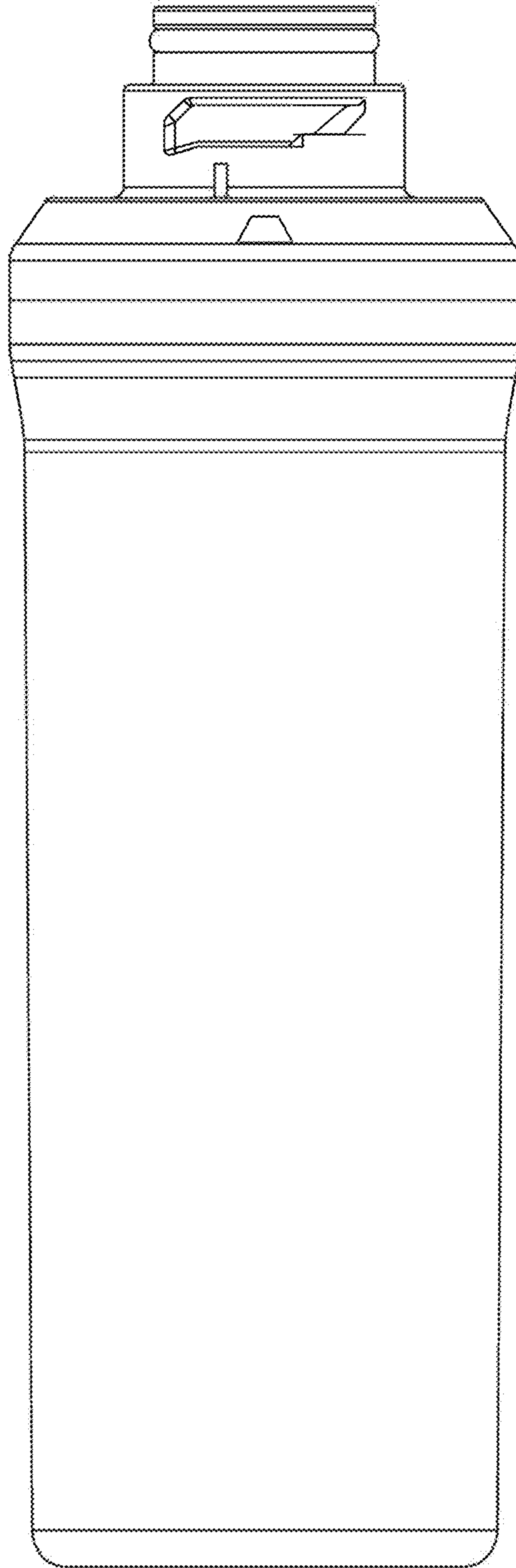


FIG. 10

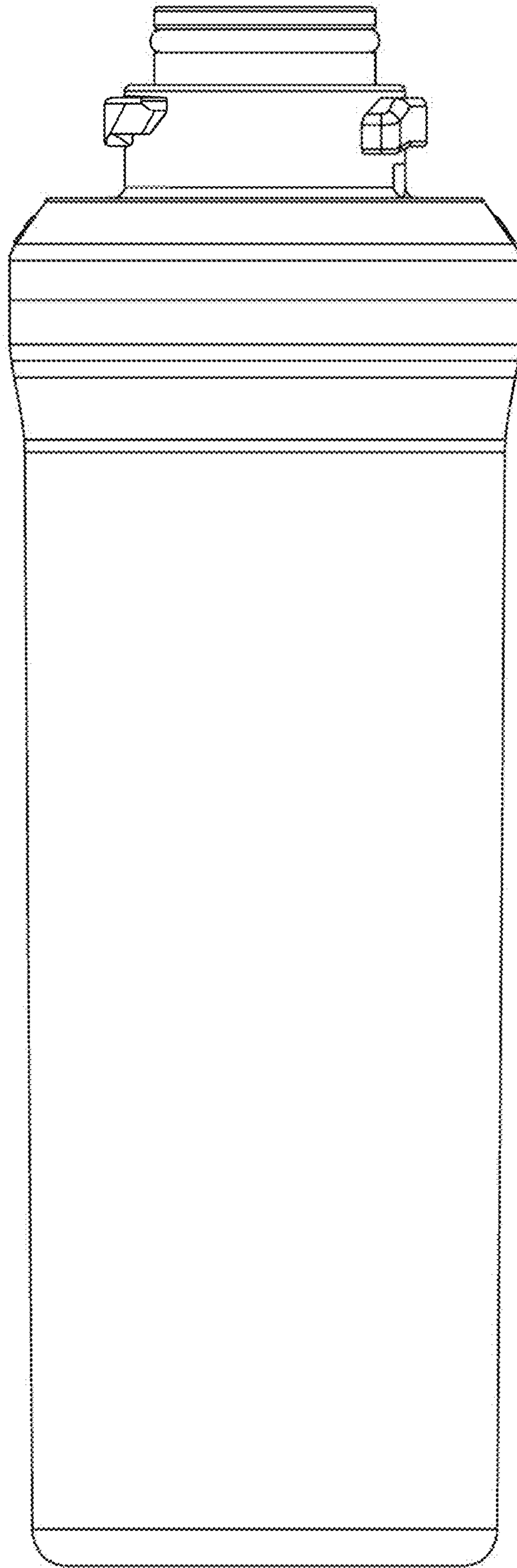


FIG. 11

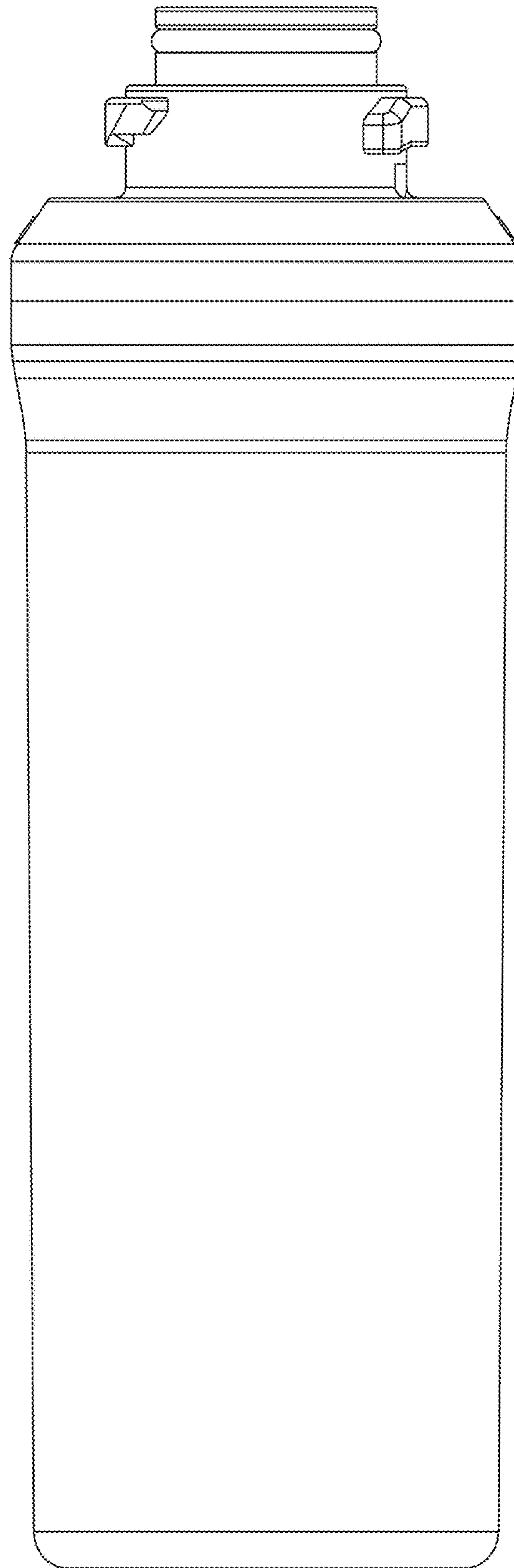


FIG. 12

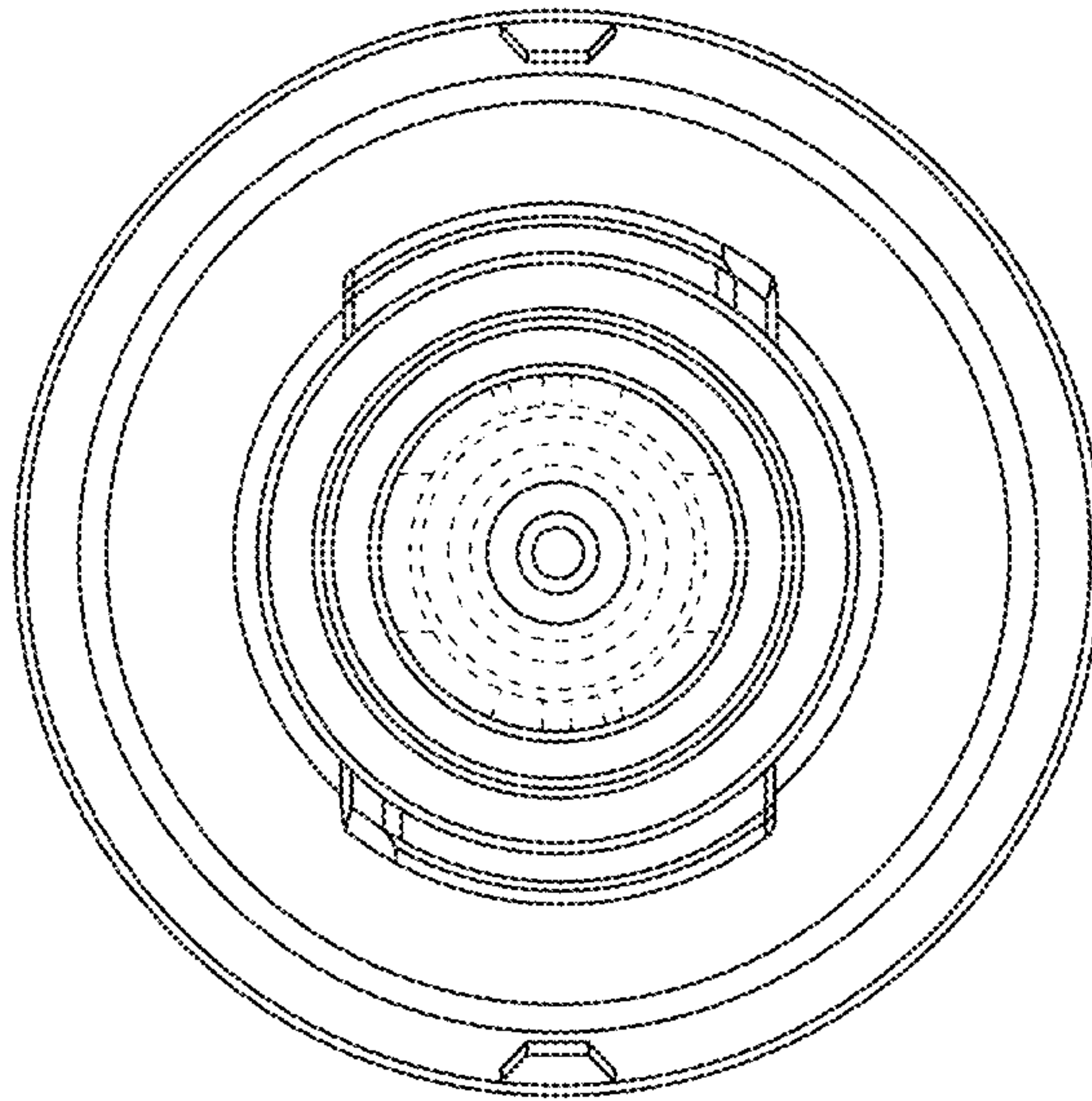


FIG. 13

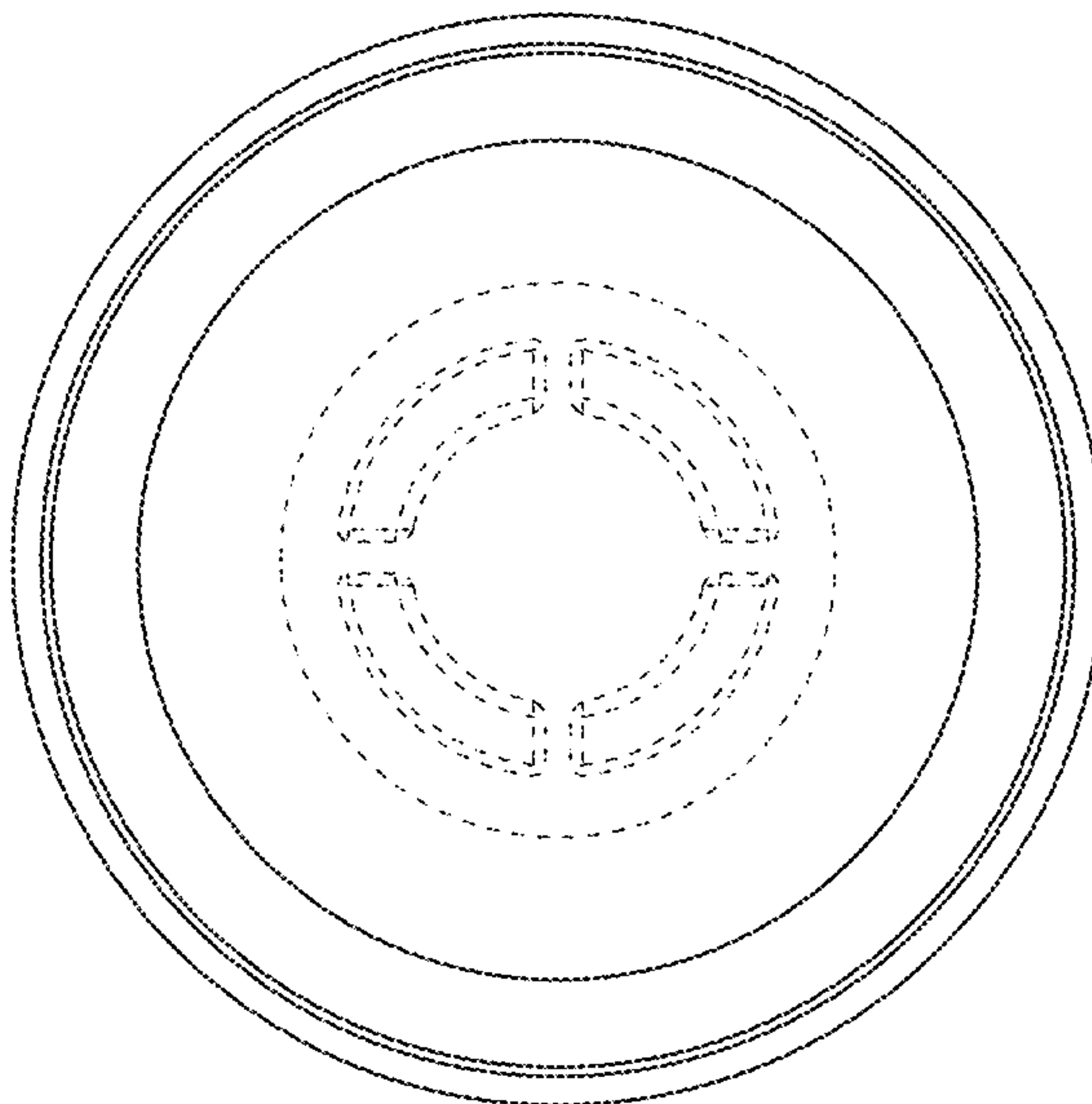


FIG. 14