



US00D835751S

(12) **United States Design Patent** (10) **Patent No.:** **US D835,751 S**
McPeek (45) **Date of Patent:** **** Dec. 11, 2018**

(54) **FOUNTAIN**

OTHER PUBLICATIONS

(71) Applicant: **Marshall McPeek**, Columbus, OH (US)
(72) Inventor: **Marshall McPeek**, Columbus, OH (US)
(**) Term: **15 Years**
(21) Appl. No.: **29/598,129**
(22) Filed: **Mar. 23, 2017**
(51) **LOC (11) Cl.** **23-01**
(52) **U.S. Cl.**
USPC **D23/201**
(58) **Field of Classification Search**
USPC D23/201
CPC B05B 17/08; F21S 8/00; B01F 3/0412;
G09F 13/24
See application file for complete search history.

William Pye, Charybdis II, 2012, <http://www.williampye.com/works/charybdis-ii-oman>.
William Pye, Caribdis, 2012, <http://www.williampye.com/works/caribdis>.
William Pye, Aquabar, 2003, <http://www.williampye.com/works/aquabar>.
William Pye, Mini Vortex, <http://www.williampye.com/works/mini-vortex>, site visited Jul. 27, 2017.
William Pye, Scylla, 2001, <http://www.williampye.com/works/scylla>.
William Pye, Charybdis, 2000, <http://www.williampye.com/works/charybdis>.

* cited by examiner

Primary Examiner — Robin V Webster
(74) *Attorney, Agent, or Firm* — Standley Law Group LLP

(56) **References Cited**

(57) **CLAIM**

U.S. PATENT DOCUMENTS

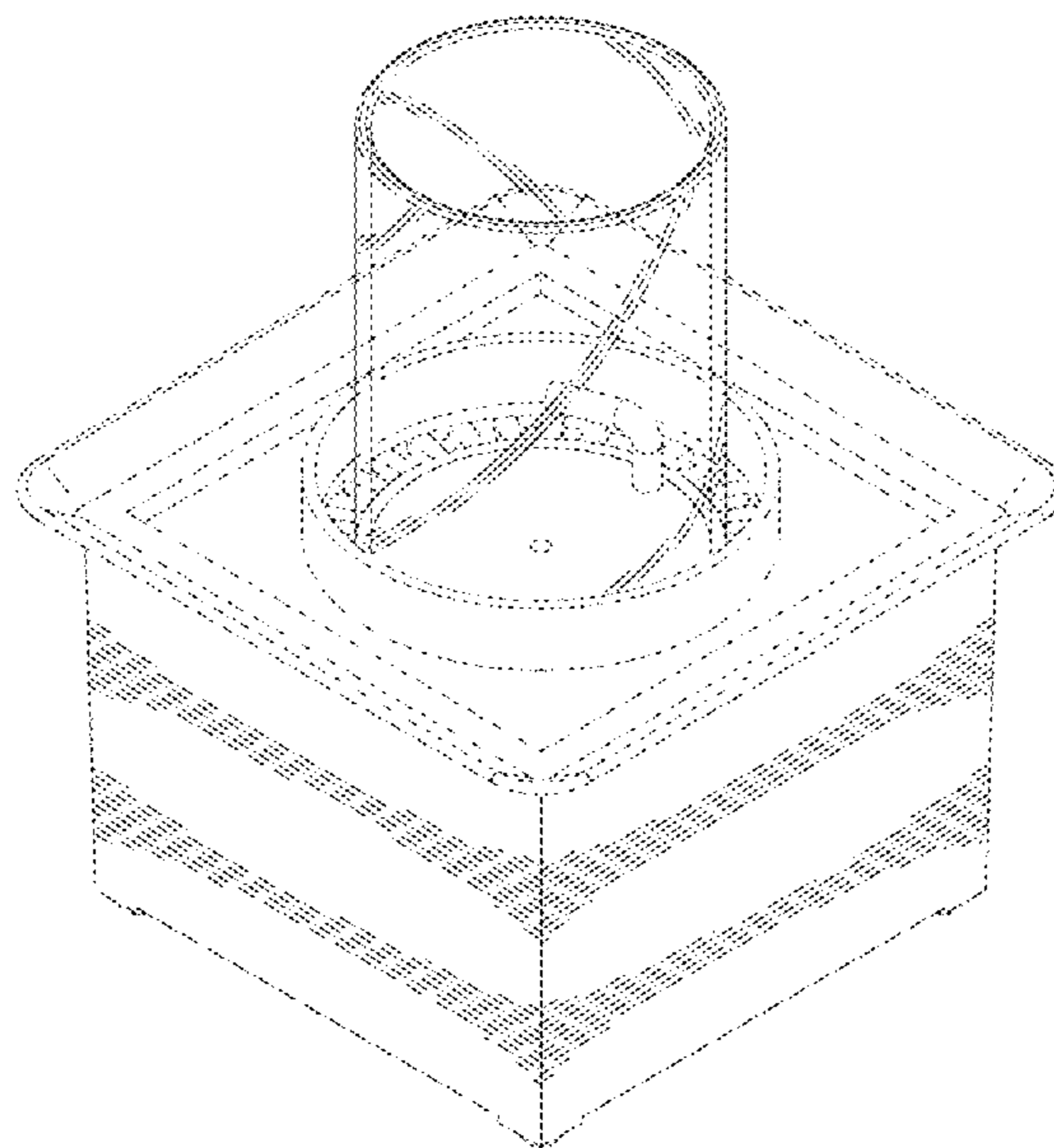
The ornamental design for a fountain, as shown and described.

D420,423 S * 2/2000 Blount D23/201
6,527,197 B1 * 3/2003 Lin B05B 17/08
239/16
D497,659 S * 10/2004 Bright D23/201
D503,833 S * 4/2005 Bright D23/201
6,921,023 B1 * 7/2005 Bright A01K 63/006
239/17
6,971,779 B2 * 12/2005 Tau B05B 17/08
362/555
D582,509 S * 12/2008 Konkle D23/201
D640,344 S * 6/2011 Hadi B05B 17/08
D23/201
D689,978 S * 9/2013 Mei Ying A01K 63/006
D23/201
D697,580 S * 1/2014 Hadi B05B 17/08
D23/201
2018/0015428 A1 1/2018 Nardella

DESCRIPTION

FIG. 1 is a front perspective view of an exemplary fountain of the present invention;
FIG. 2 is a front elevation view of the FIG. 1 embodiment;
FIG. 3 is a rear elevation view of the FIG. 1 embodiment;
FIG. 4 is a right side view of the FIG. 1 embodiment;
FIG. 5 is a left side view of the FIG. 1 embodiment;
FIG. 6 is a top plan view of the FIG. 1 embodiment; and,
FIG. 7 is a bottom plan view of the FIG. 1 embodiment.
The broken lines are for illustration only and form no part of the claimed design.

1 Claim, 7 Drawing Sheets



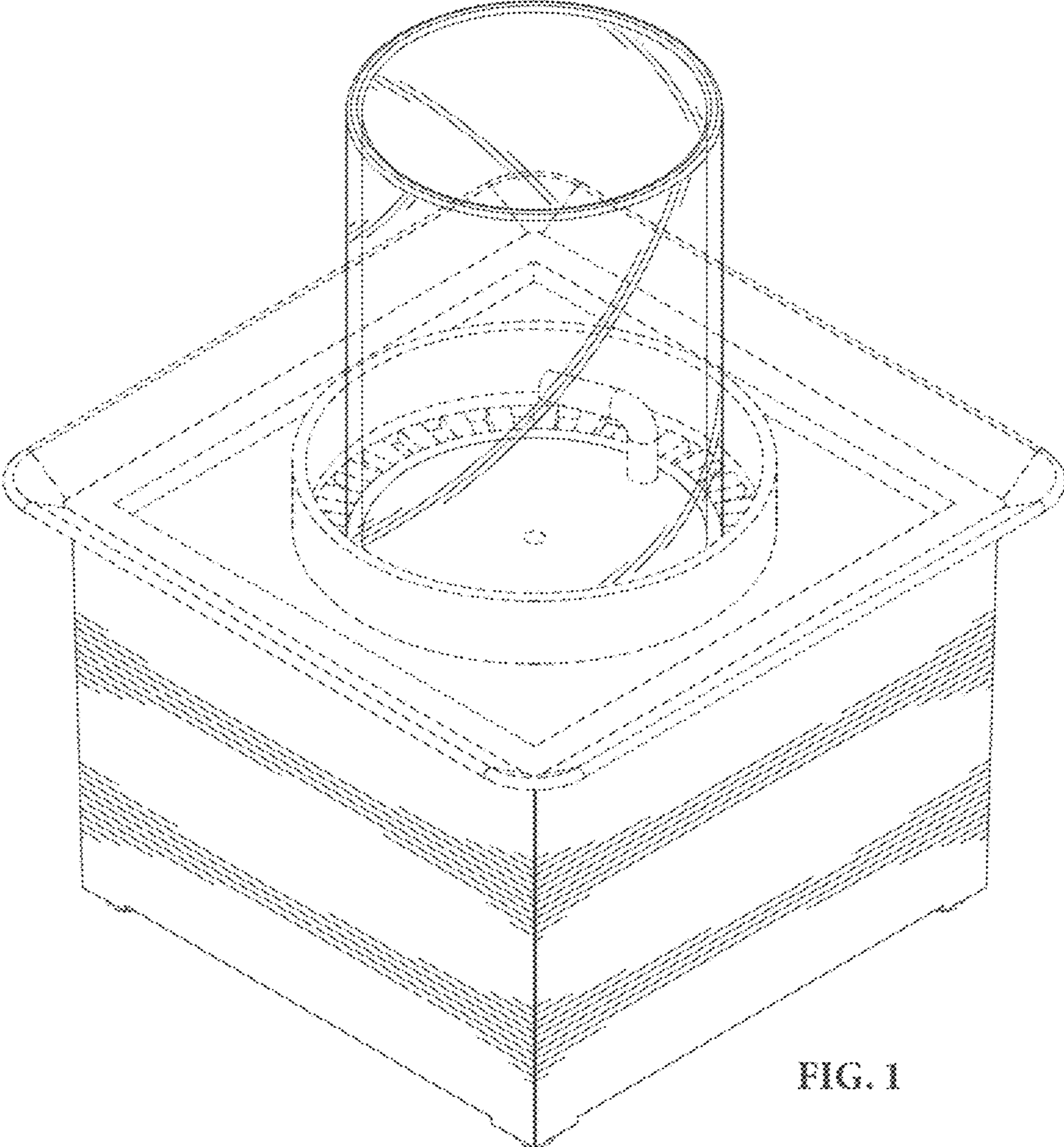


FIG. 1

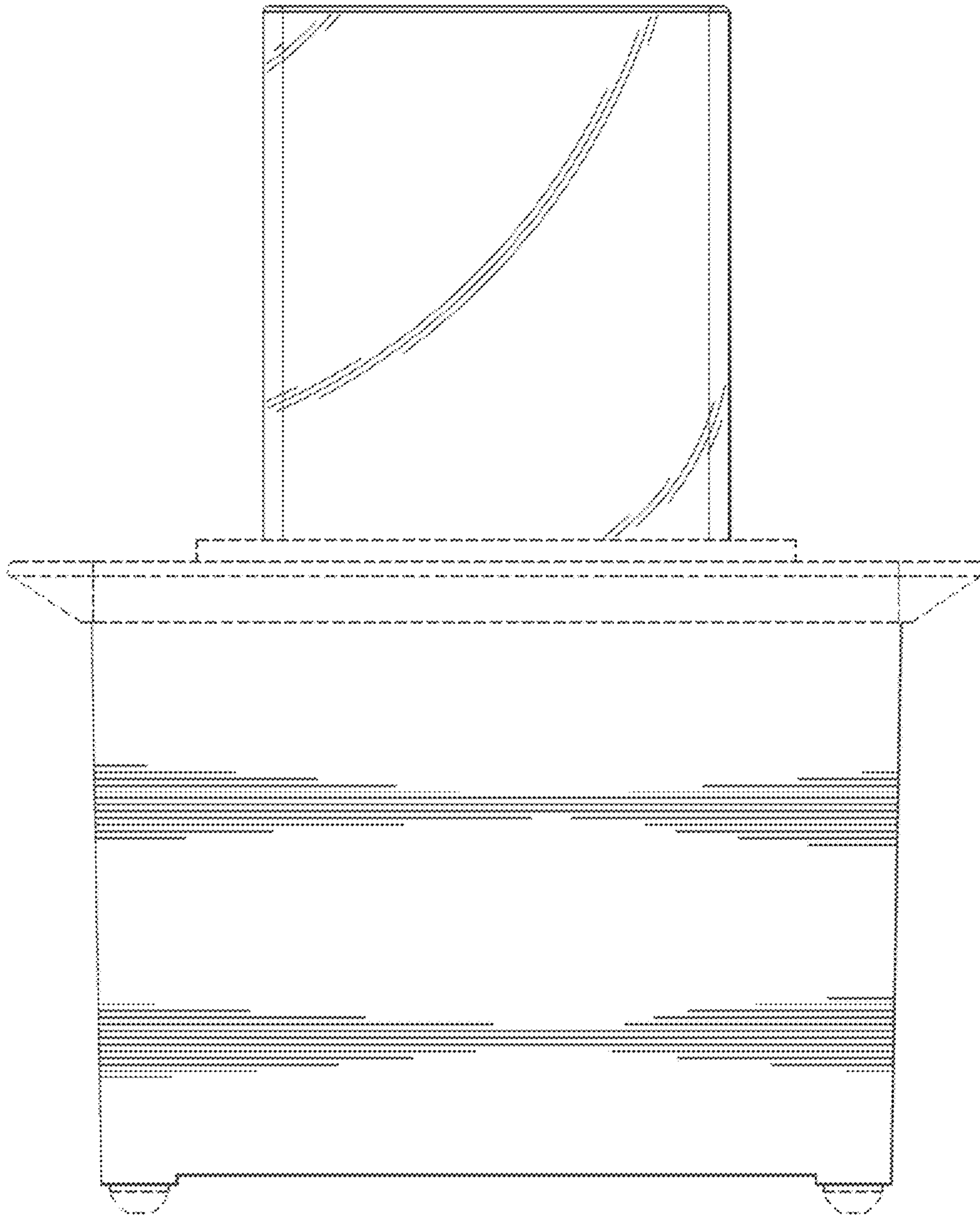


FIG. 2

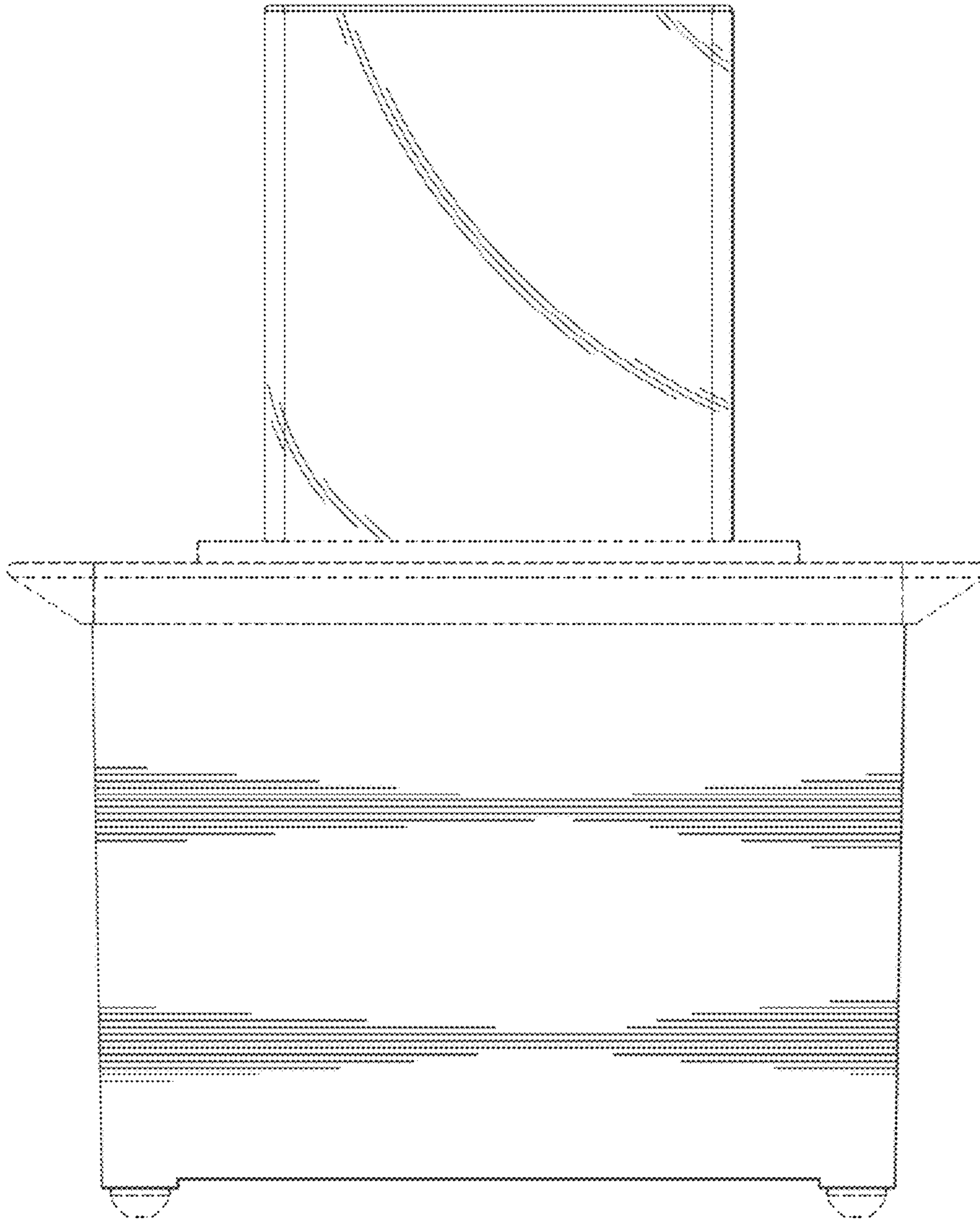


FIG. 3

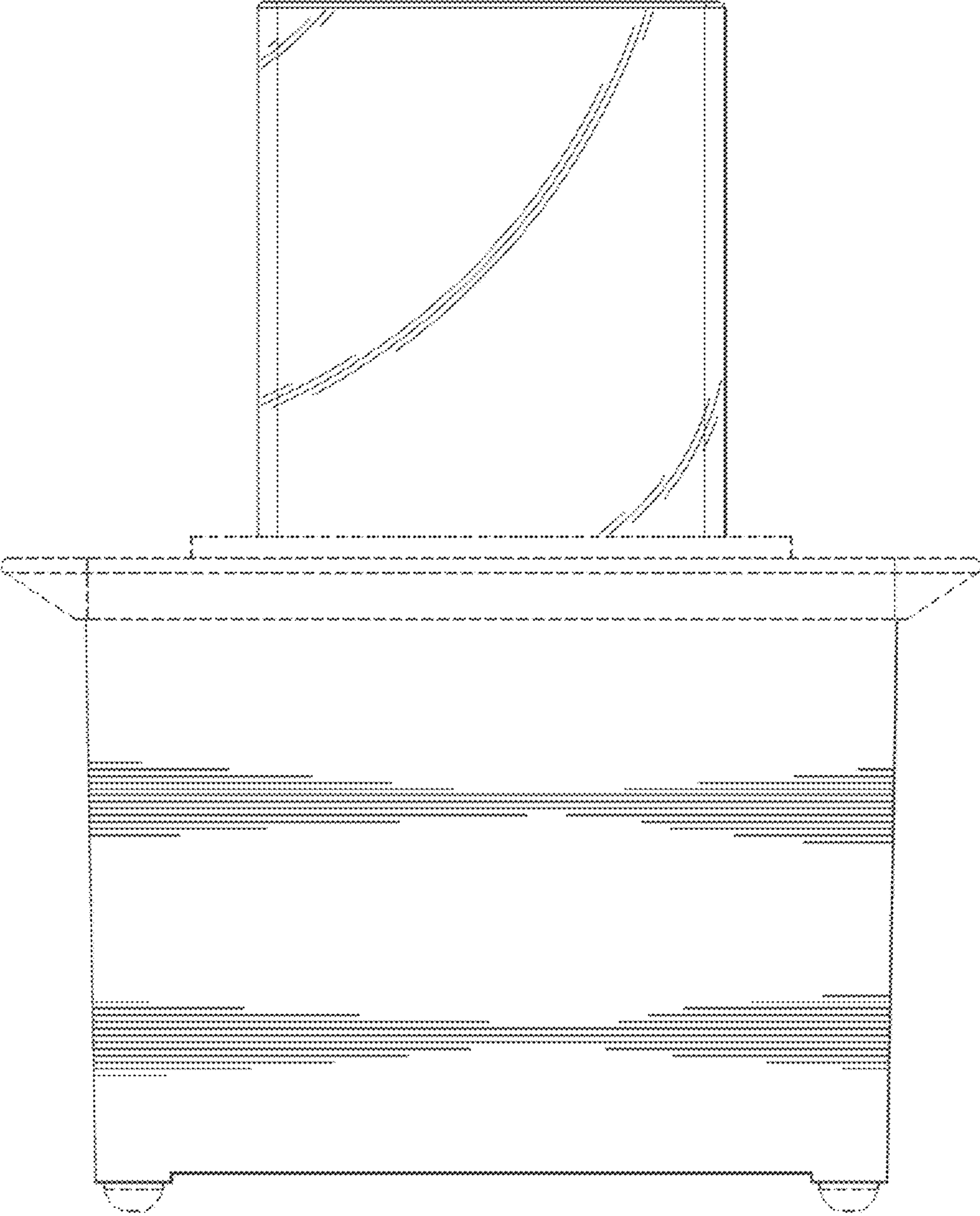


FIG. 4

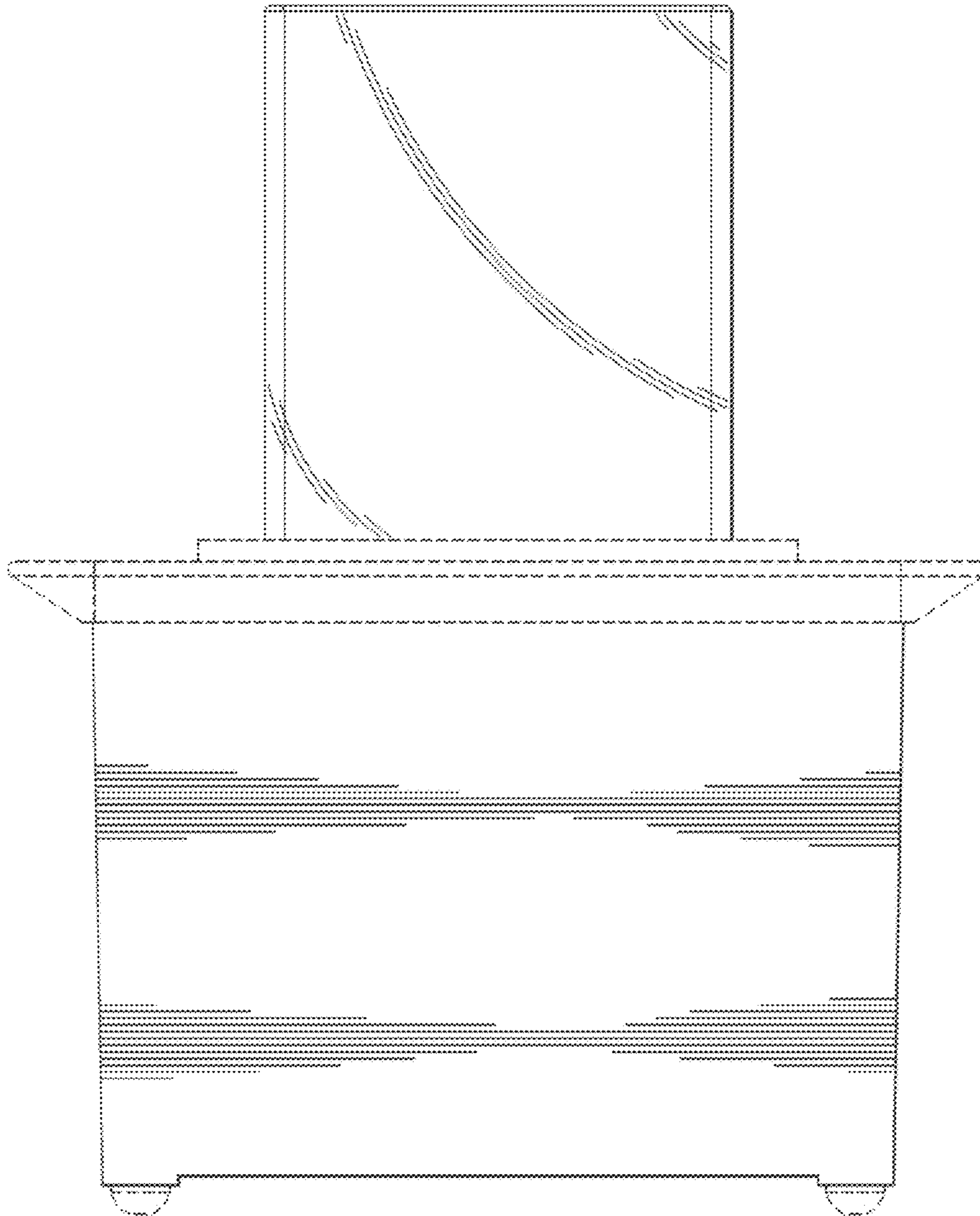


FIG. 5

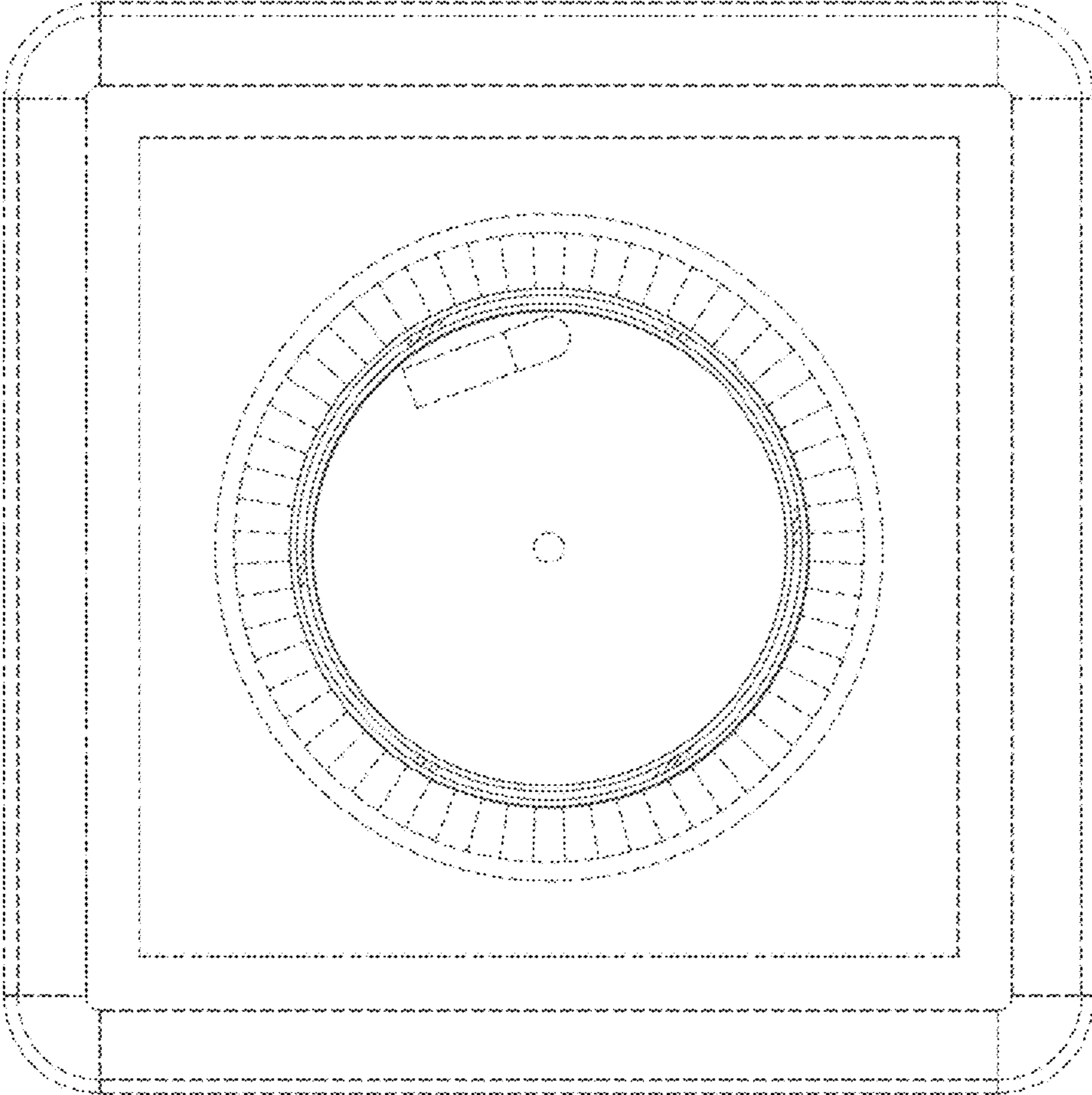


FIG. 6

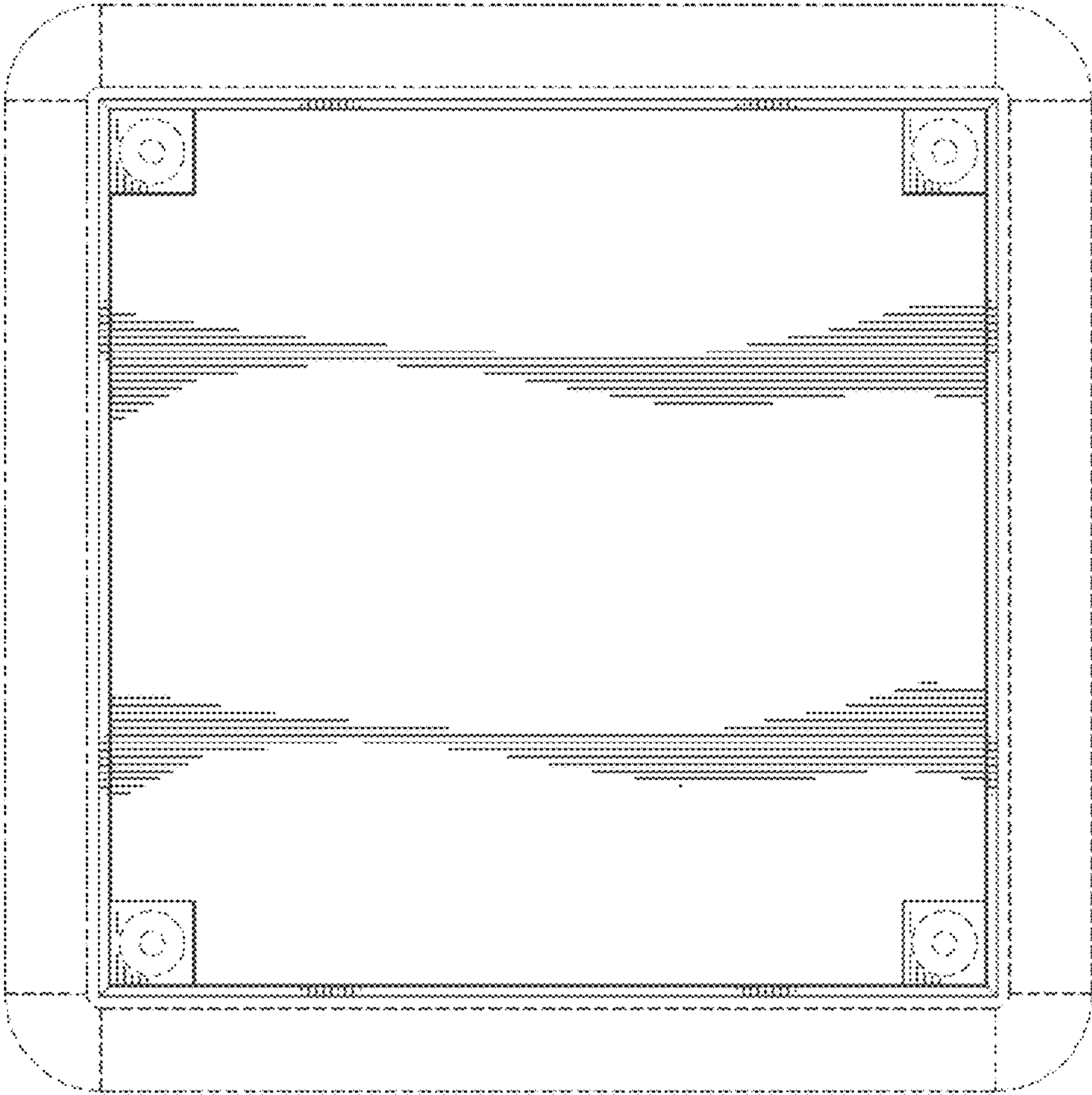


FIG. 7