



US00D835748S

(12) **United States Design Patent** (10) **Patent No.:** **US D835,748 S**
Stewart (45) **Date of Patent:** **** Dec. 11, 2018**

(54) **GUN RAIL MOUNT**

(71) Applicant: **David A. Stewart**, Boca Raton, FL (US)

(72) Inventor: **David A. Stewart**, Boca Raton, FL (US)

(**) Term: **15 Years**

(21) Appl. No.: **29/626,203**

(22) Filed: **Nov. 15, 2017**

(51) **LOC (11) Cl.** **22-01**

(52) **U.S. Cl.**
USPC **D22/110**

(58) **Field of Classification Search**

USPC D22/100, 101, 103, 106, 108, 109, 110,
D22/111, 117, 199; D21/300, 301, 570,
D21/573, 574, 575

CPC F41B 5/14; F41B 5/00; F41C 27/00; F41C
23/14; F41C 23/06; F41C 3/00; F41C
7/00; F41C 23/20; F41C 23/08; F41C
23/10; F41G 11/003; F41G 1/18; F41G
1/38; F41G 1/545

See application file for complete search history.

(56) **References Cited**

U.S. PATENT DOCUMENTS

D547,262 S *	7/2007	Ullman	D13/102
D584,789 S *	1/2009	Swan	D22/108
D586,875 S *	2/2009	Swan	D22/109
D619,195 S *	7/2010	Bengtsson	D22/110
D623,254 S *	9/2010	Larsson	D22/108
D652,471 S *	1/2012	Storch	D22/110
D732,631 S *	6/2015	Cheng	D22/109
D739,913 S *	9/2015	Nevils	D22/109
D747,780 S *	1/2016	Swan	D22/110
D784,481 S *	4/2017	Ding	D22/110
D784,482 S *	4/2017	Ding	D22/110
D784,483 S *	4/2017	Ding	D22/110
D785,745 S *	5/2017	McKillips	D22/109

(Continued)

OTHER PUBLICATIONS

<https://www.opticsplanet.com/leapers-utg-low-profile-dovetail-to-picatinny-rail-mount-adapter.html>—Retrieved on Jul. 18, 2018.*

(Continued)

Primary Examiner — Manpreet S Matharu

Assistant Examiner — Mojtaba Tehrani

(74) *Attorney, Agent, or Firm* — Fleit Gibbons Gutman
Bongini Bianco PL; Jon A. Gibbons

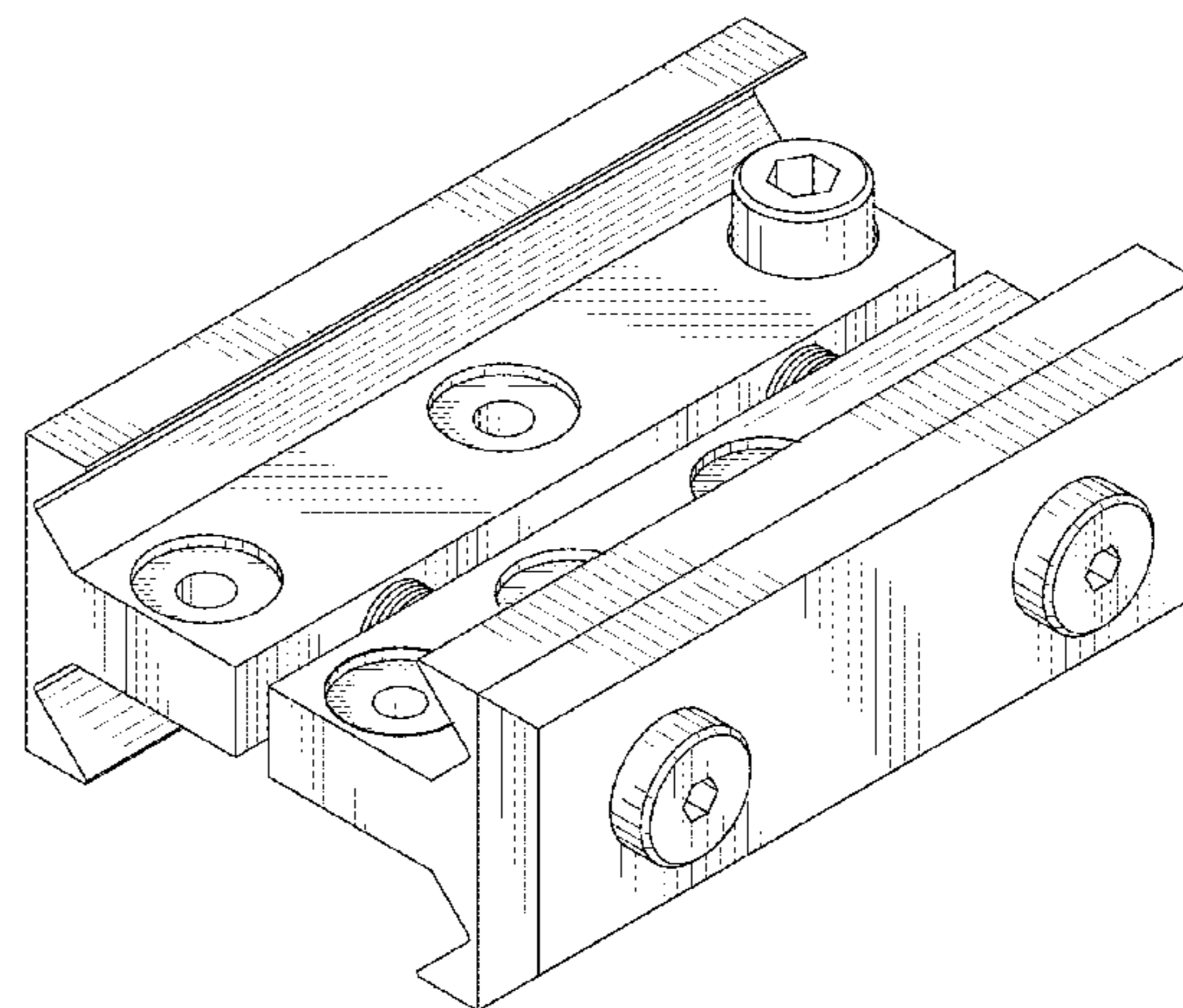
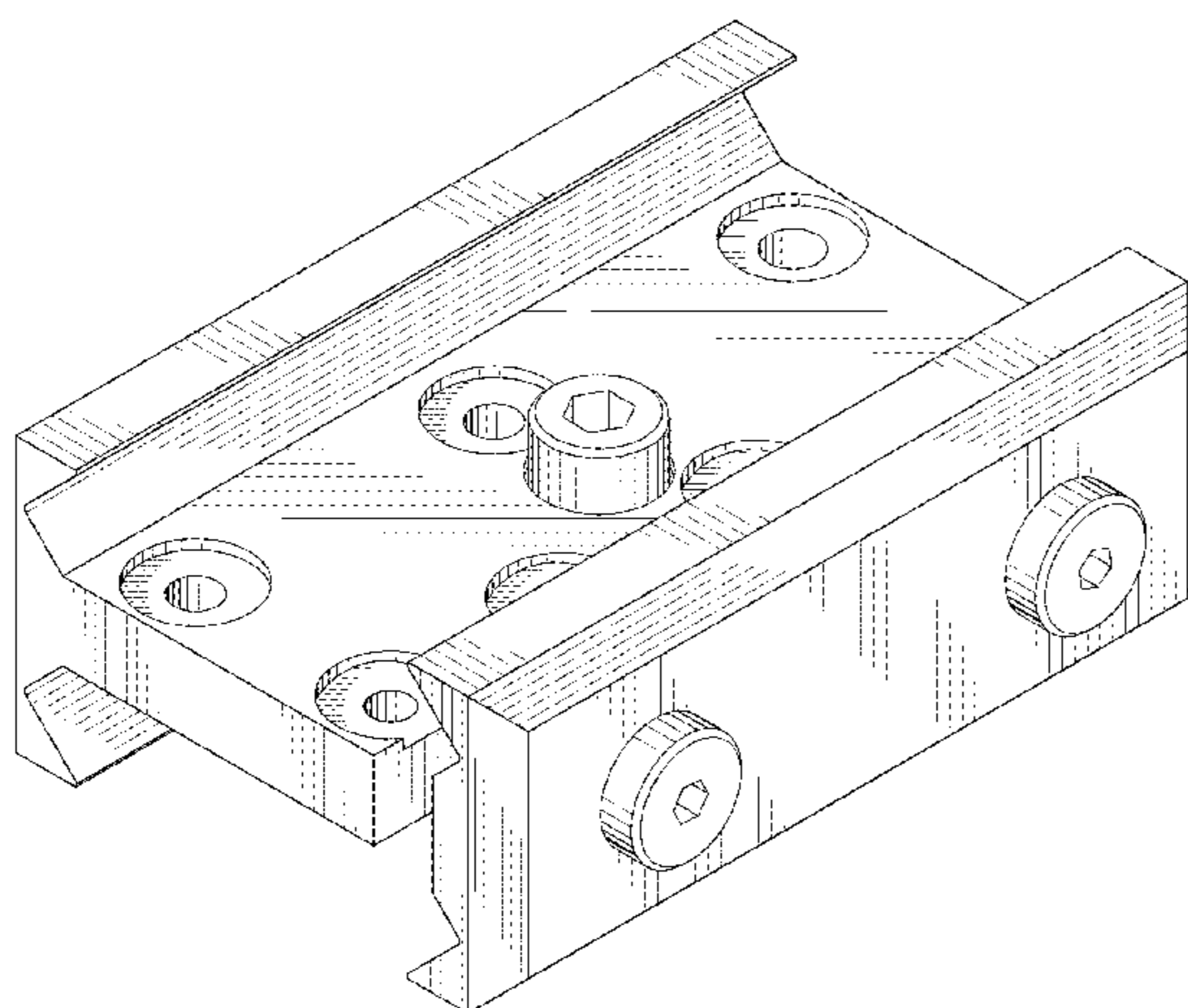
(57) **CLAIM**

The ornamental design for a gun rail mount, as shown and described.

DESCRIPTION

FIG. 1 is a first perspective view of the first embodiment of a gun rail mount, showing my new design; FIG. 2 is a second perspective view thereof; FIG. 3 is a first elevational view thereof; FIG. 4 is a second elevational view thereof; FIG. 5 is a first side elevational view thereof; FIG. 6 is a second side elevational view thereof; FIG. 7 is a top plan view thereof; and FIG. 8 is a bottom plan view thereof; FIG. 9 is a perspective view thereof, mounted to a gun rail of a firearm; FIG. 10 is a first perspective view of the second embodiment of a gun rail mount, showing my new design; FIG. 11 is a second perspective view thereof; FIG. 12 is a first elevational view thereof; FIG. 13 is a second elevational view thereof; FIG. 14 is a first side elevational view thereof; FIG. 15 is a second side elevational view thereof; FIG. 16 is a top plan view thereof; and, FIG. 17 is a bottom plan view thereof. Broken lines shown in figures form no part of the claimed design.

1 Claim, 13 Drawing Sheets



(56)

References Cited

U.S. PATENT DOCUMENTS

D787,007 S * 5/2017 Maughn D22/108
D802,697 S * 11/2017 Dueck D22/108
2009/0282720 A1* 11/2009 Swan F41C 27/00
42/90
2011/0167703 A1* 7/2011 Deros F41G 11/003
42/90
2012/0180363 A1* 7/2012 Frascati F41G 11/003
42/90
2013/0318852 A1* 12/2013 Teetzel F41C 27/00
42/90

OTHER PUBLICATIONS

<https://www.midwayusa.com/product/1004652510/grovtec-picatiny-rail-mounted-bipod-adapter-aluminum-black>—Retrieved on Jul. 18, 2018.*

* cited by examiner

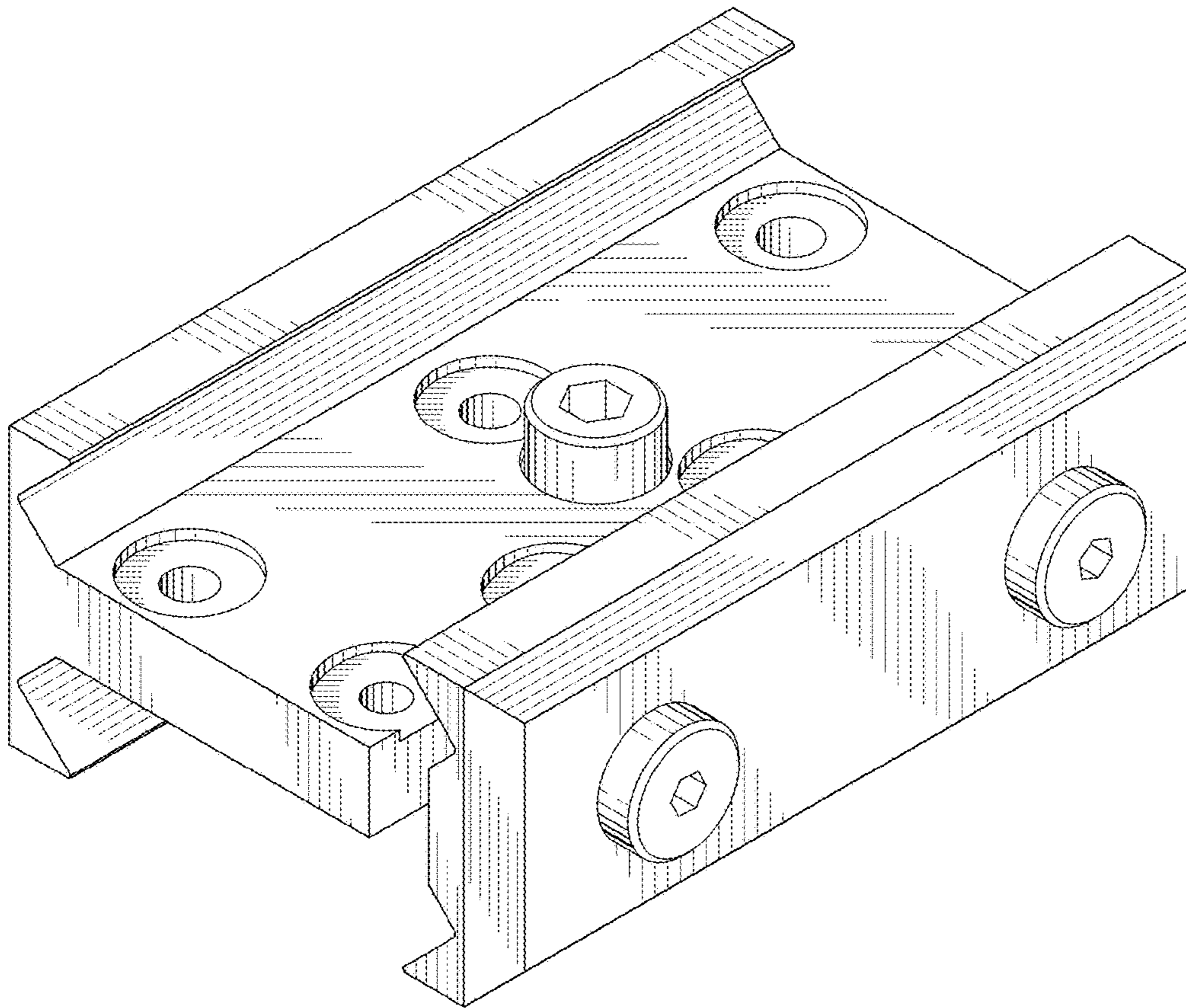


FIG.1

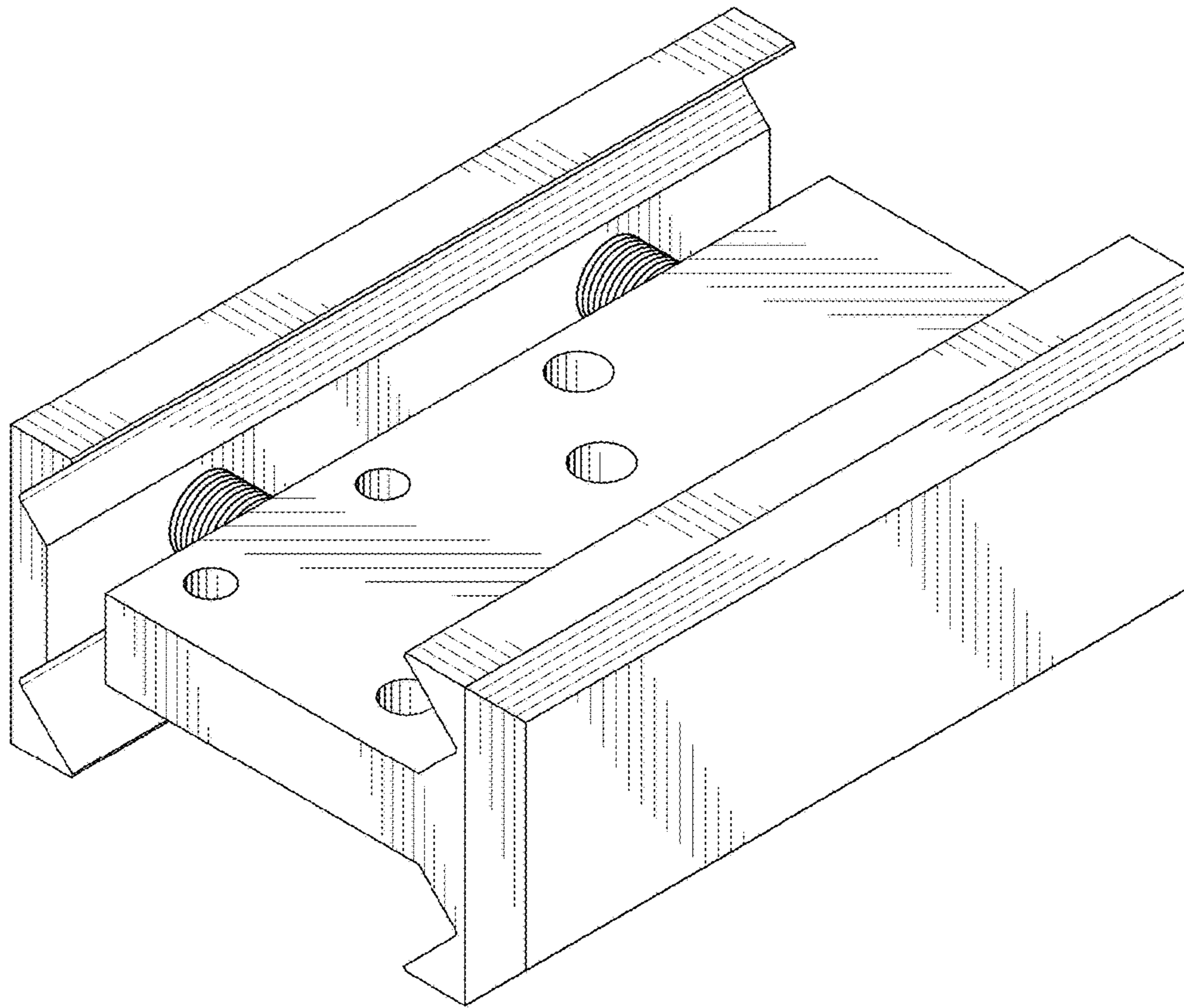


FIG.2

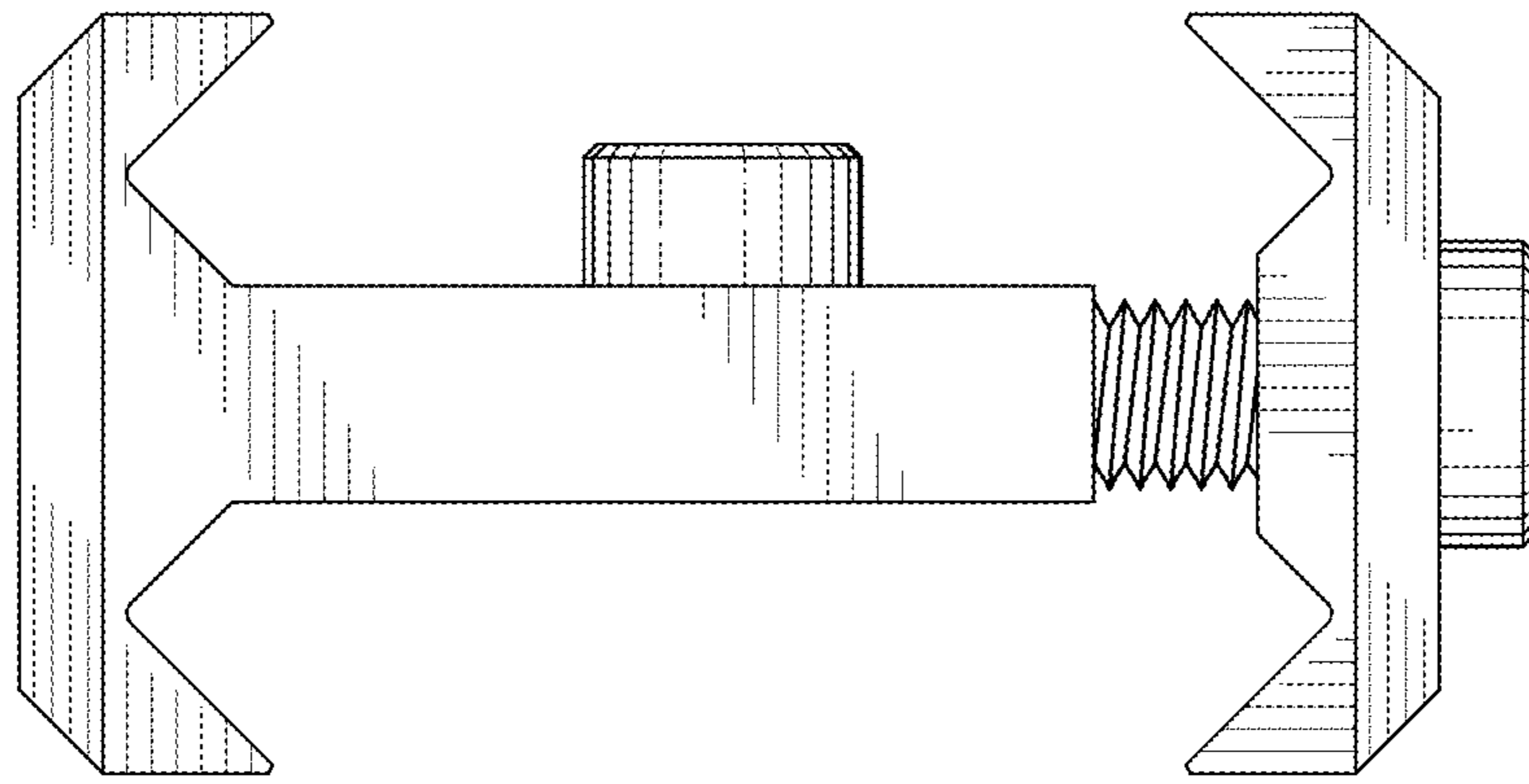


FIG.3

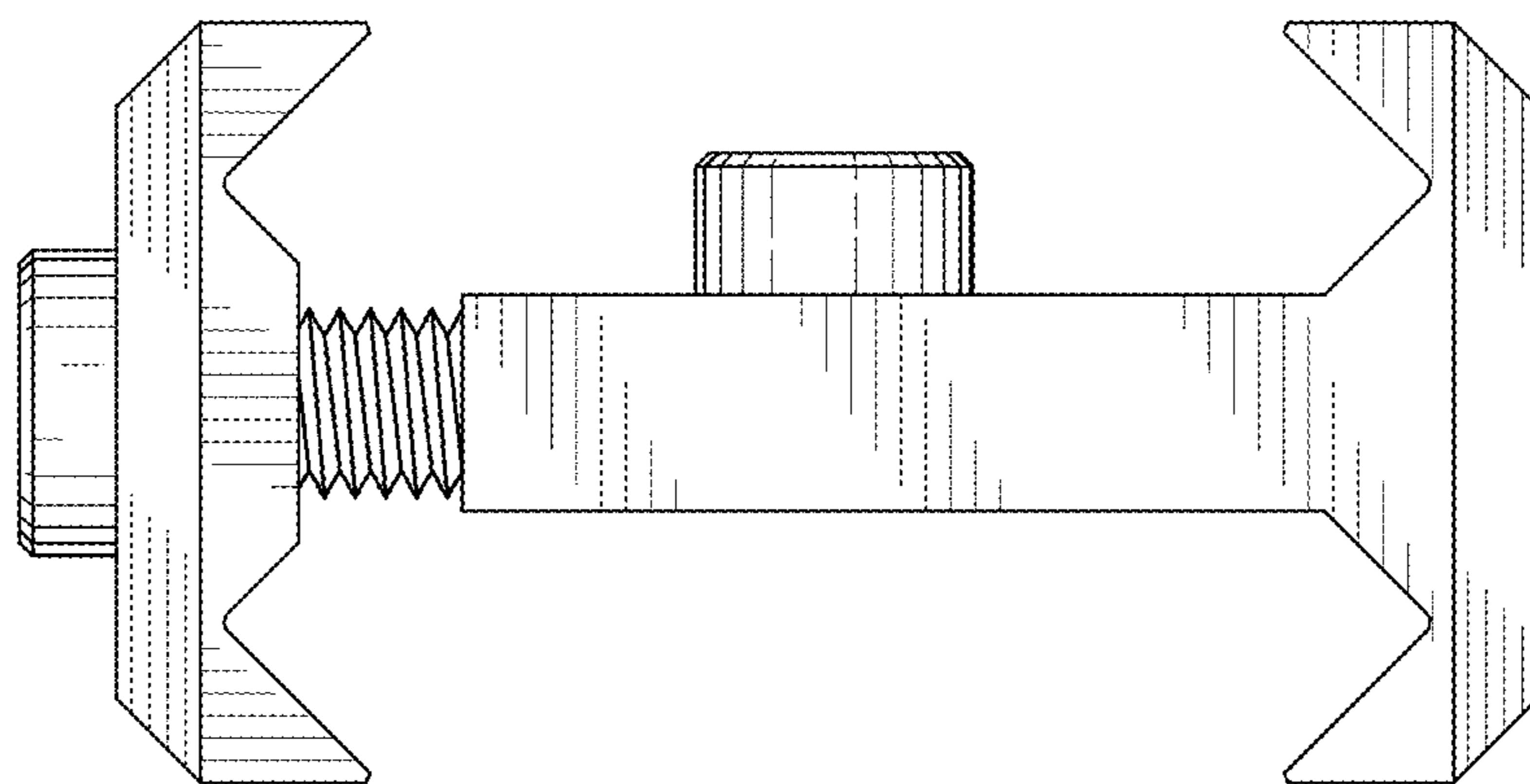


FIG.4

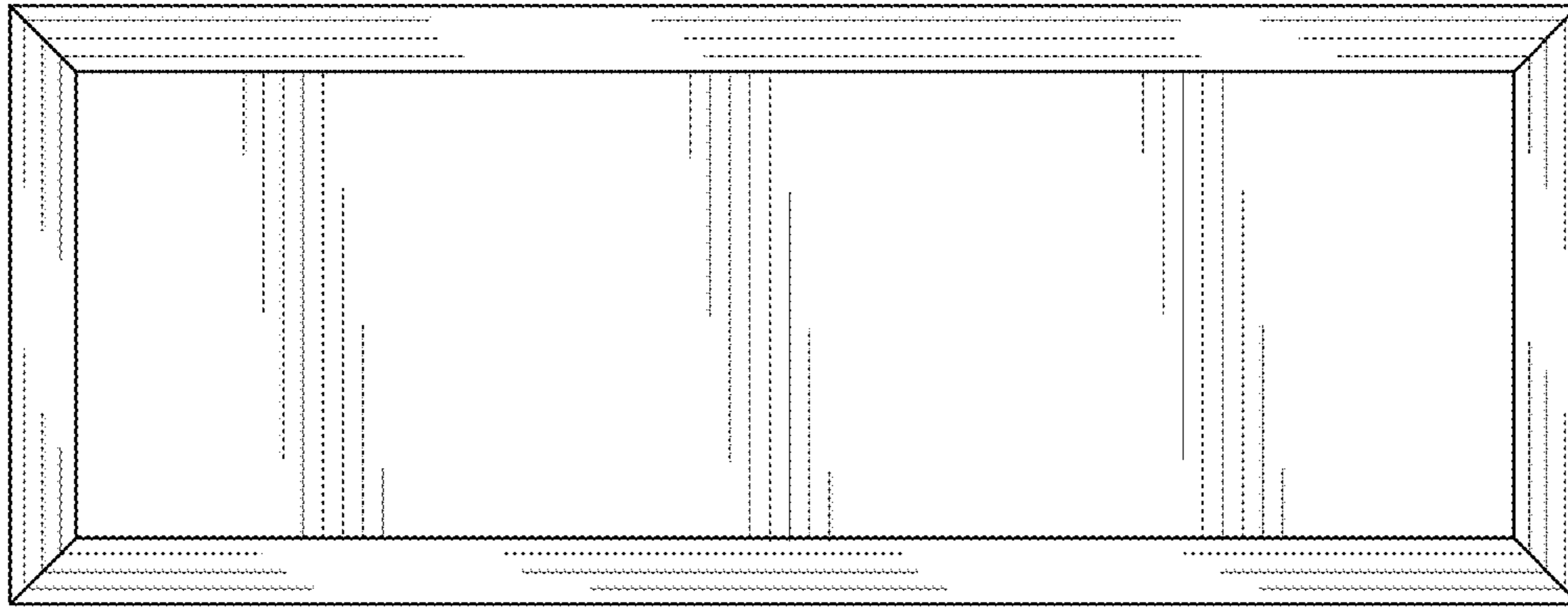


FIG. 5

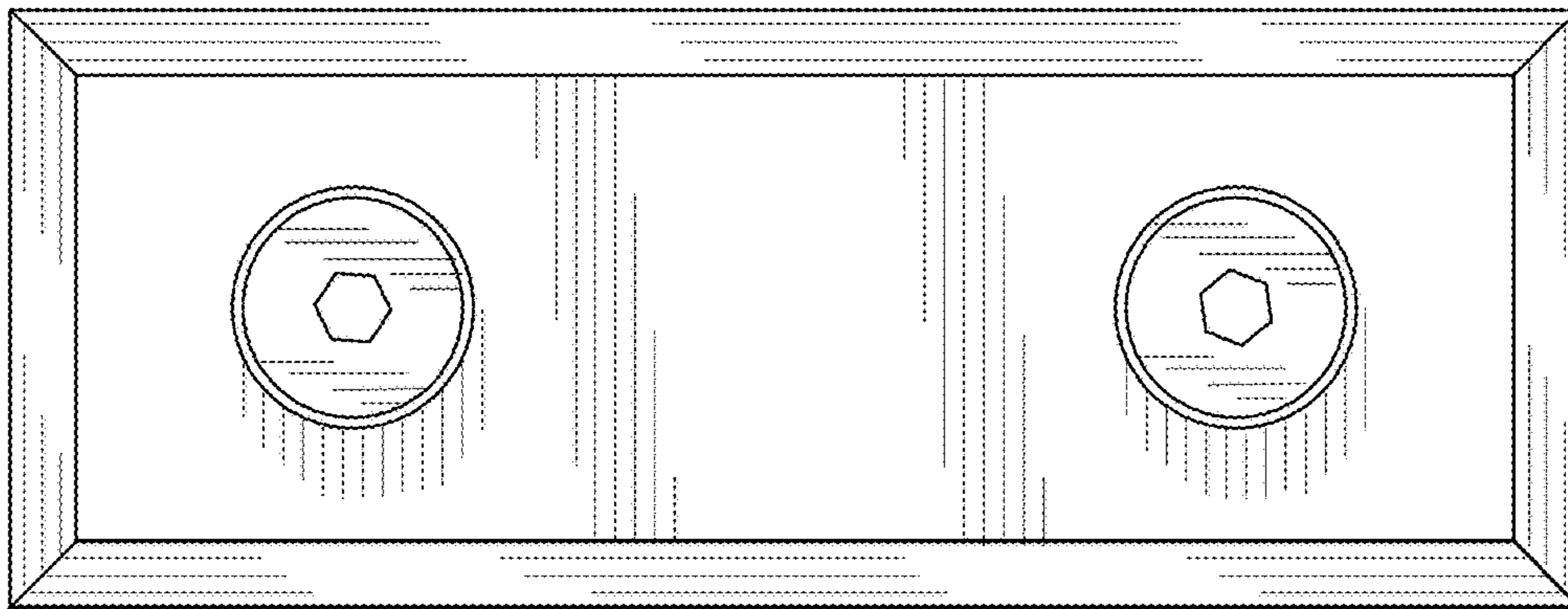


FIG. 6

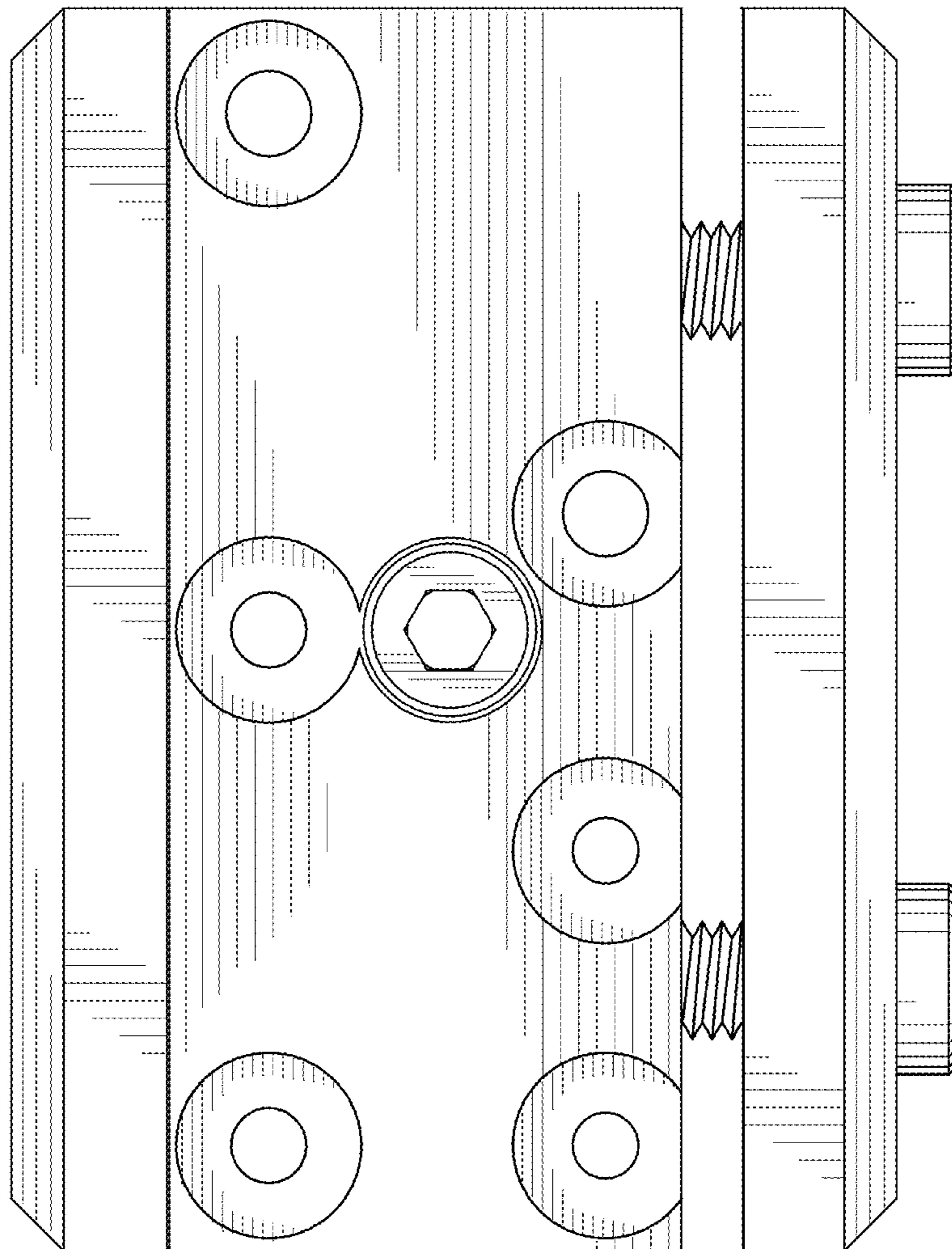


FIG. 7

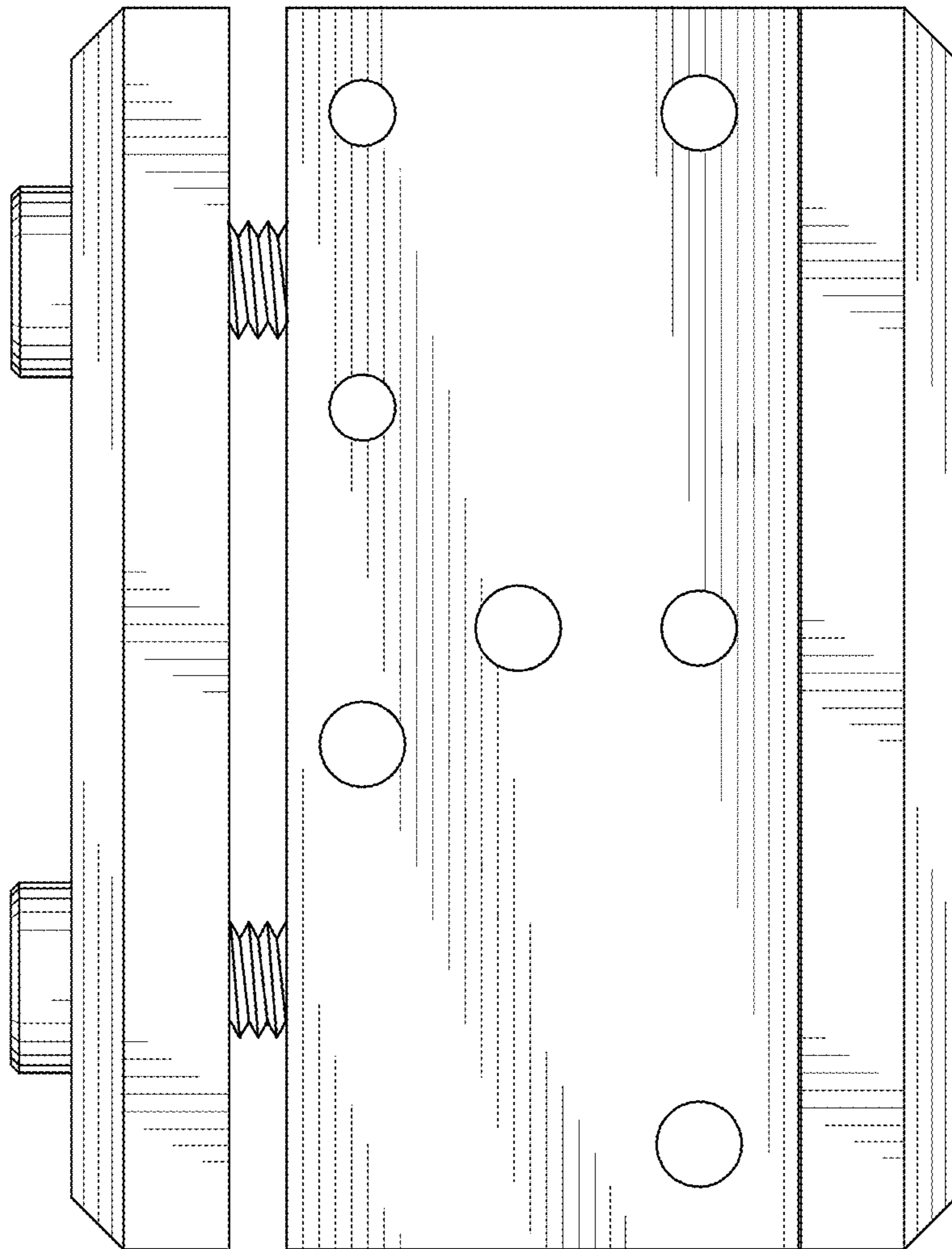


FIG.8

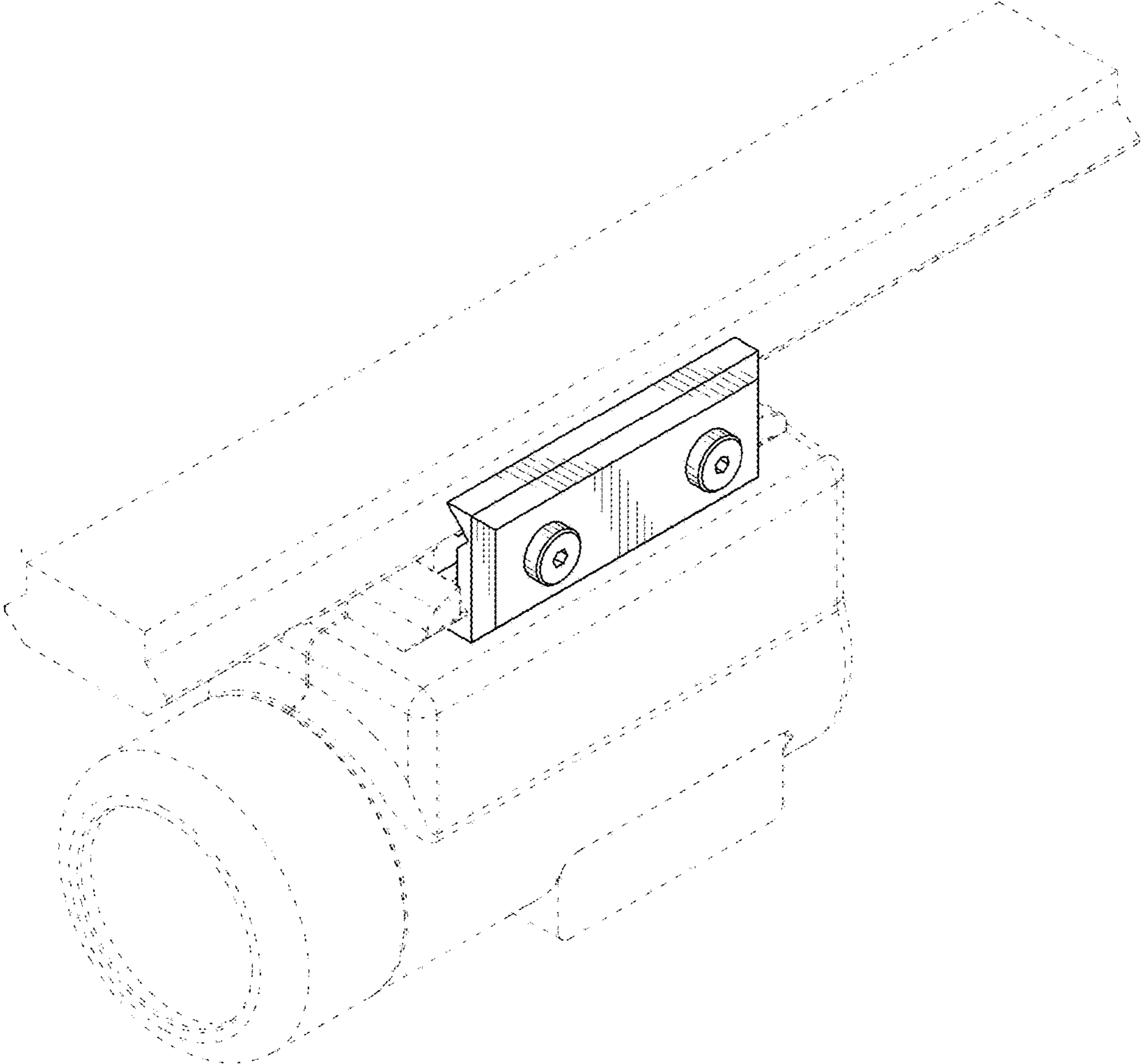


FIG.9

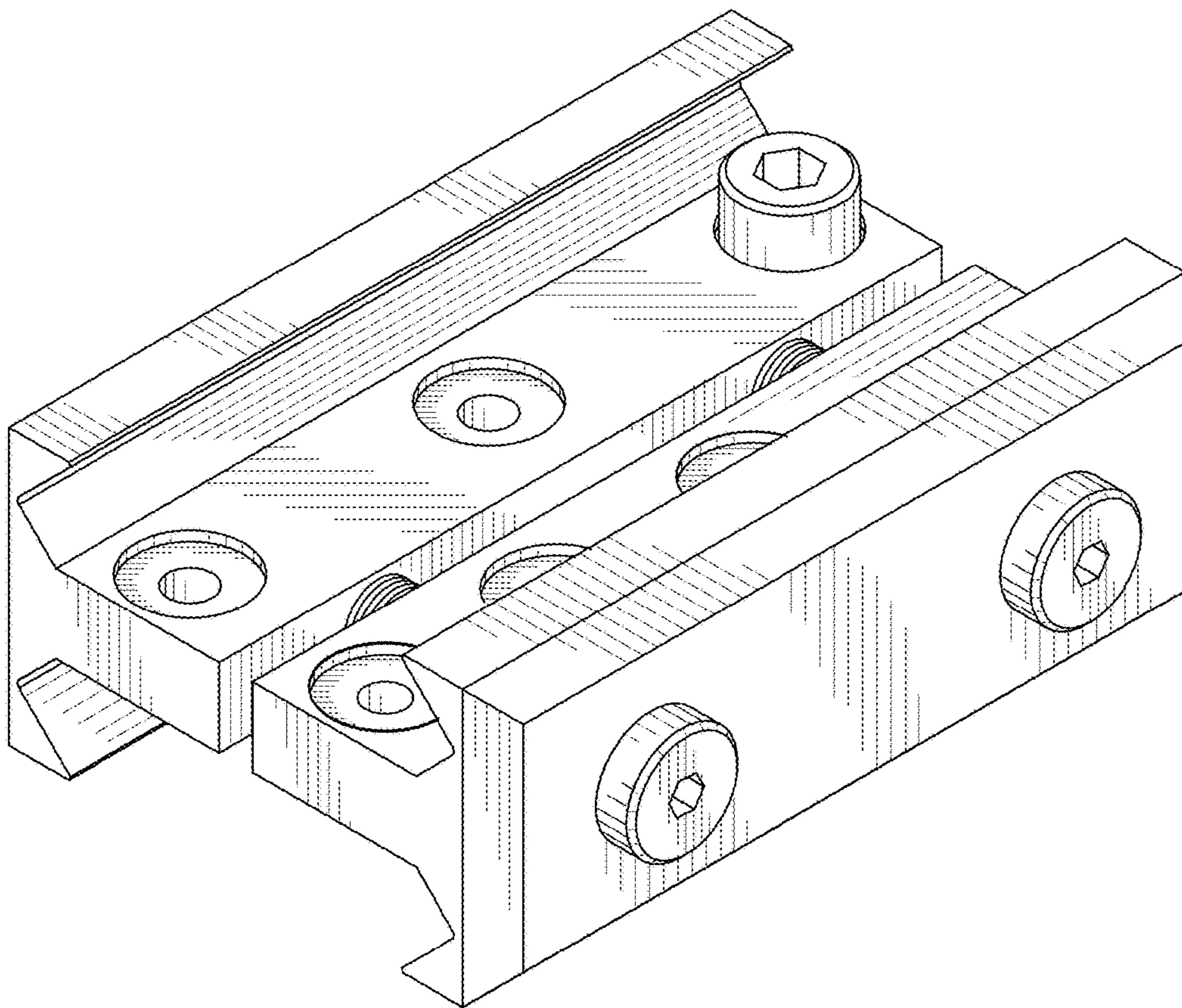


FIG.10

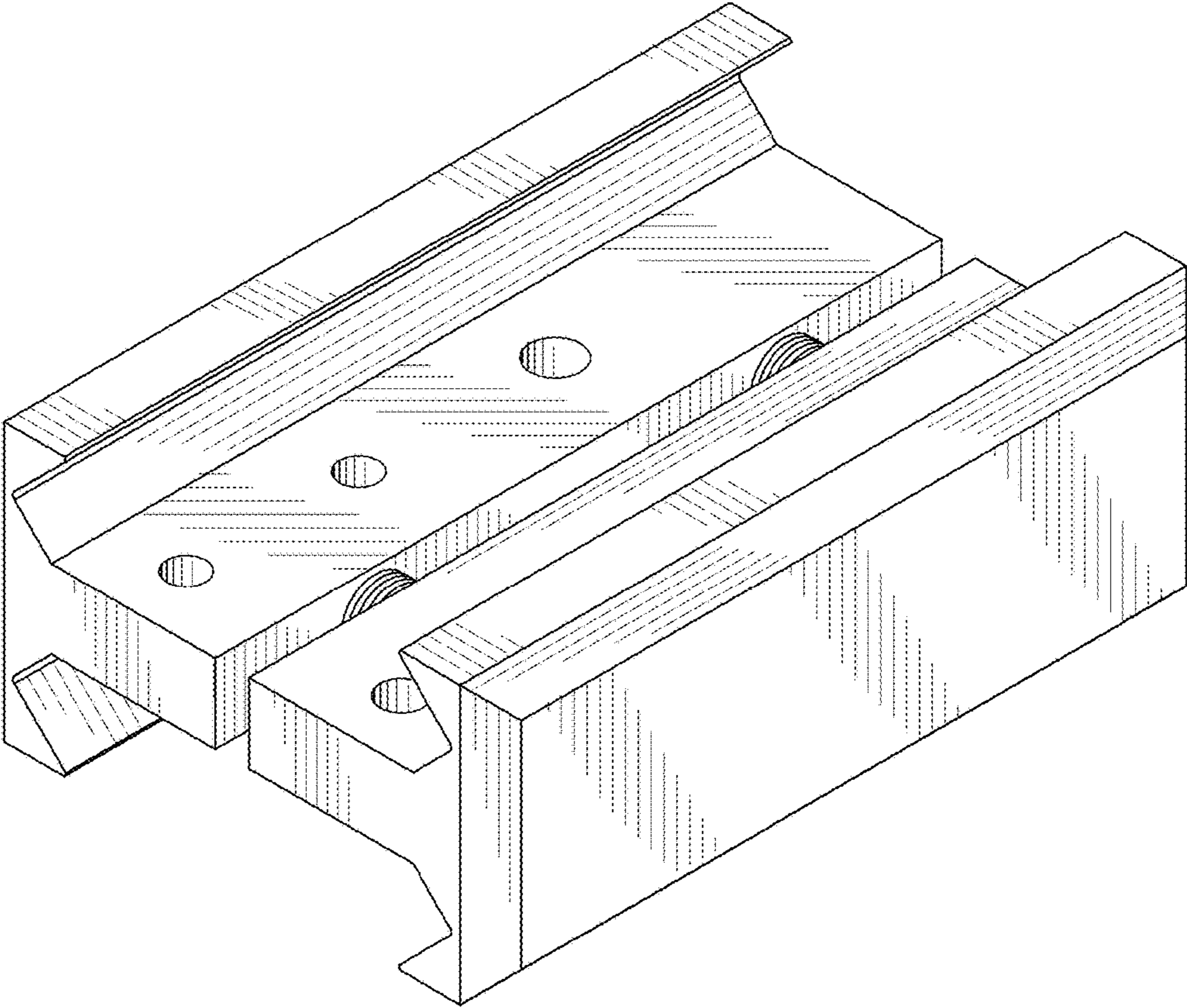


FIG.11

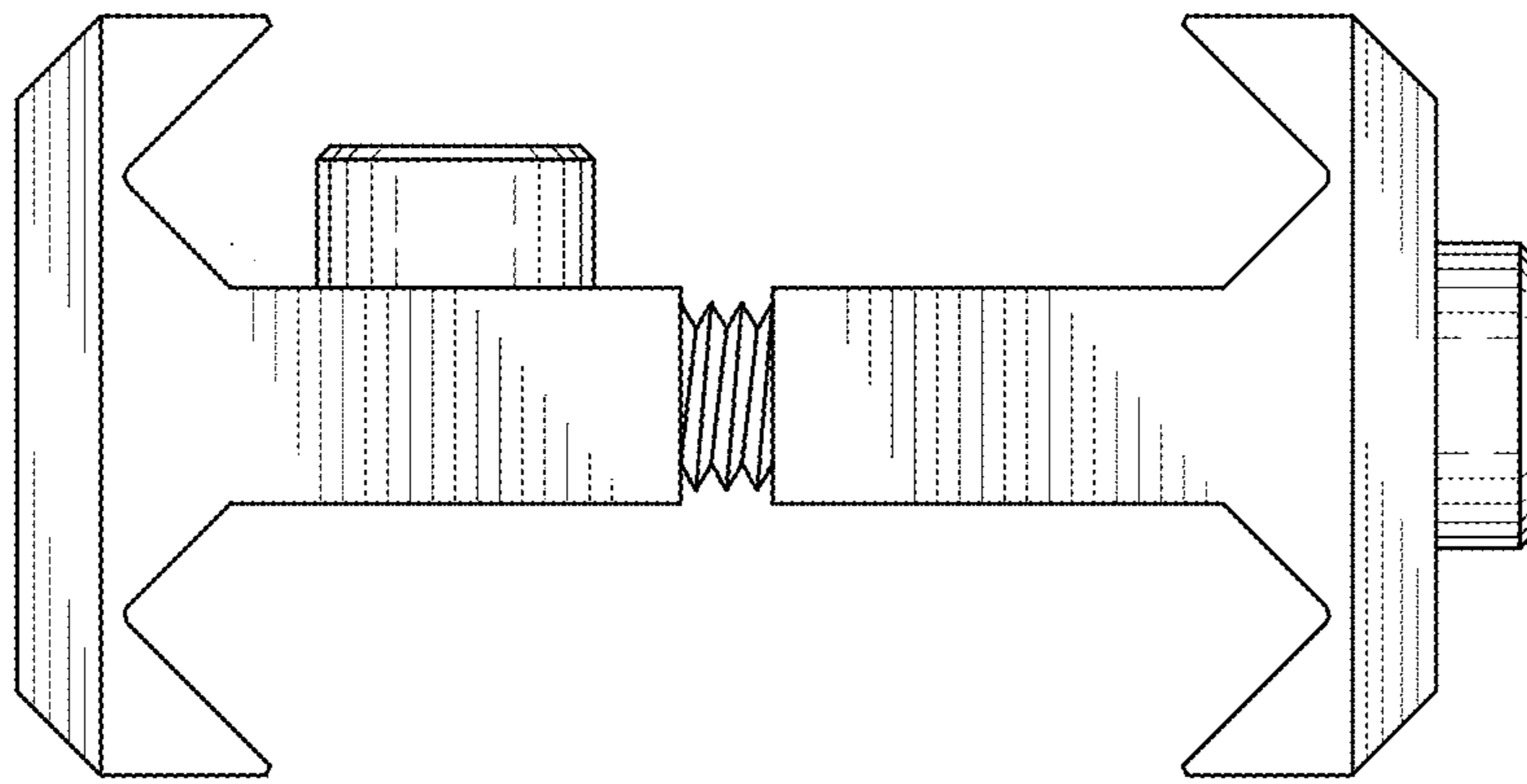


FIG.12

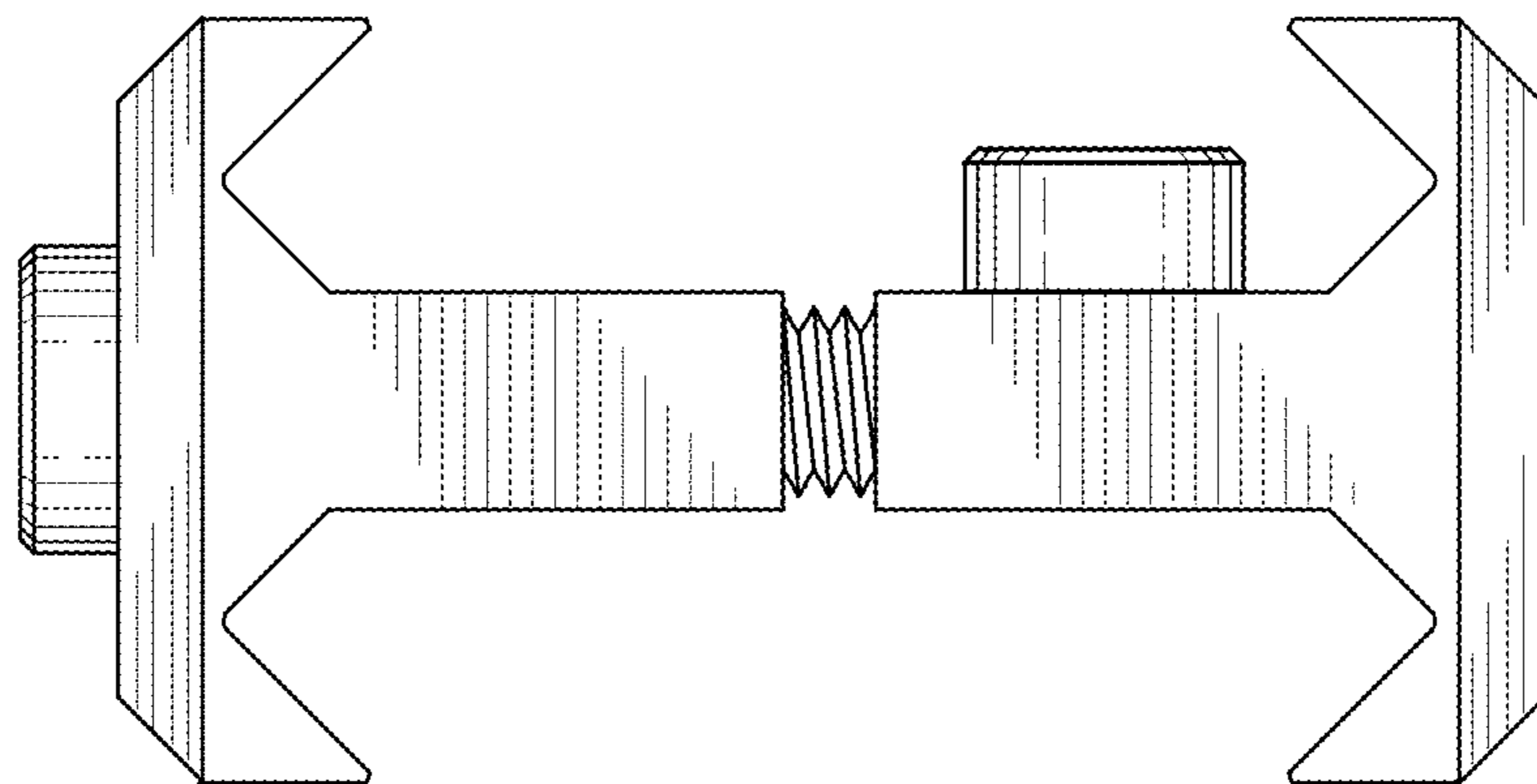


FIG.13

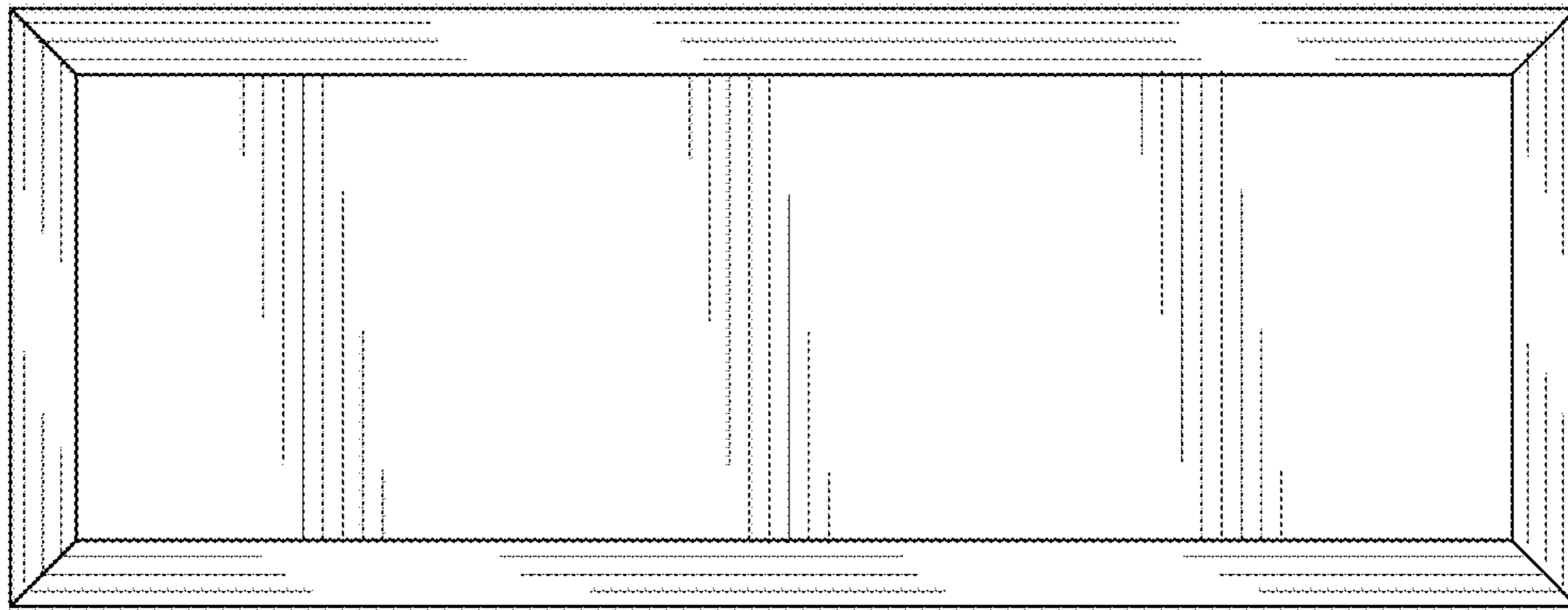


FIG.14

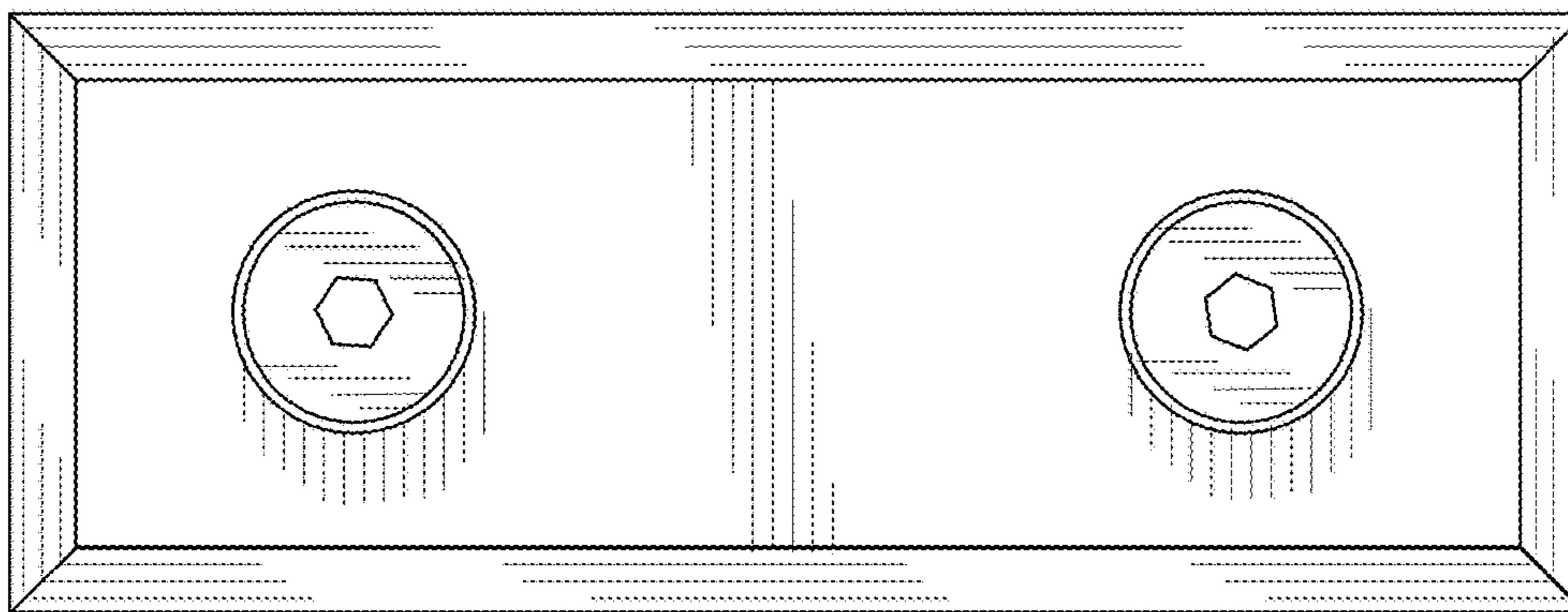


FIG.15

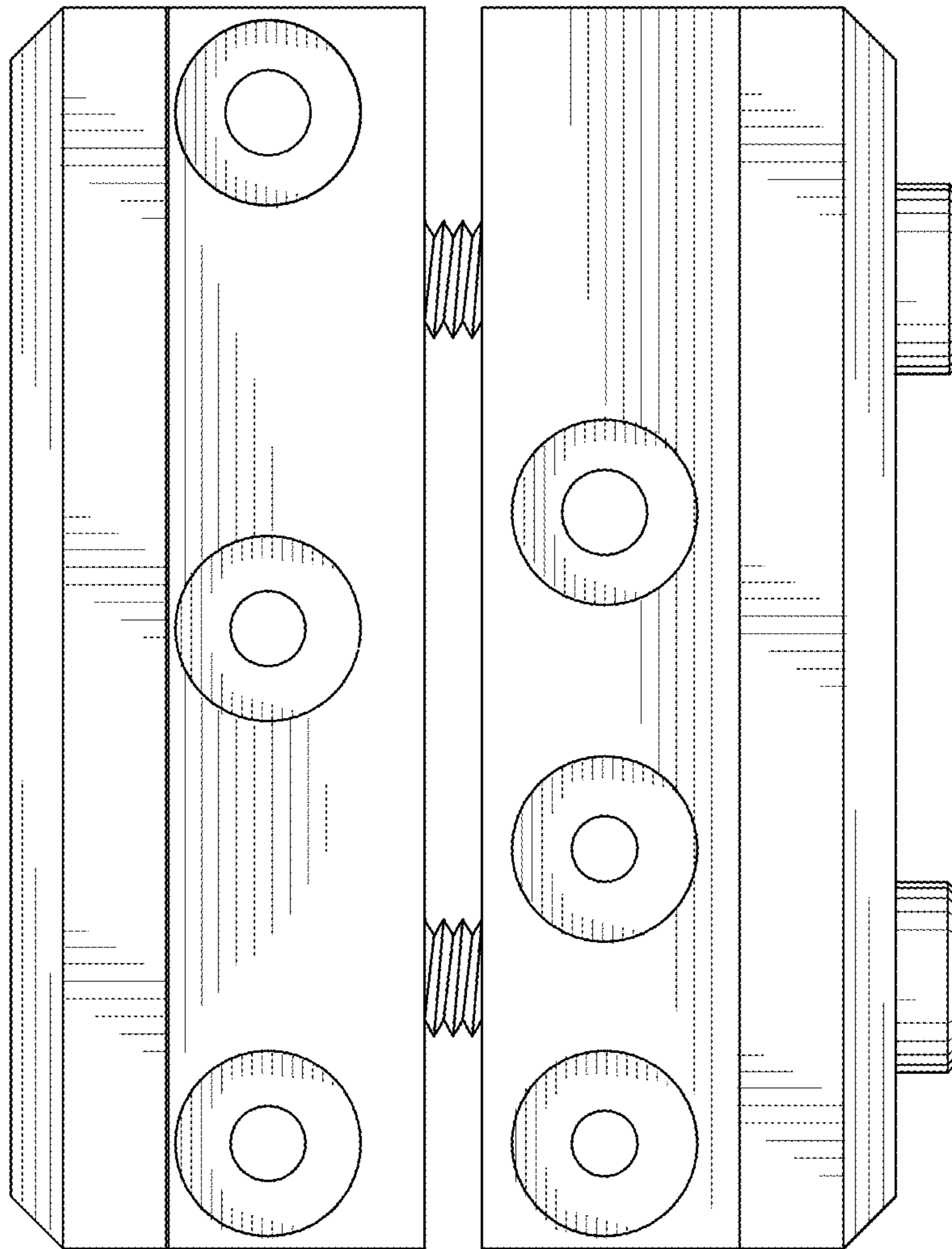


FIG.16

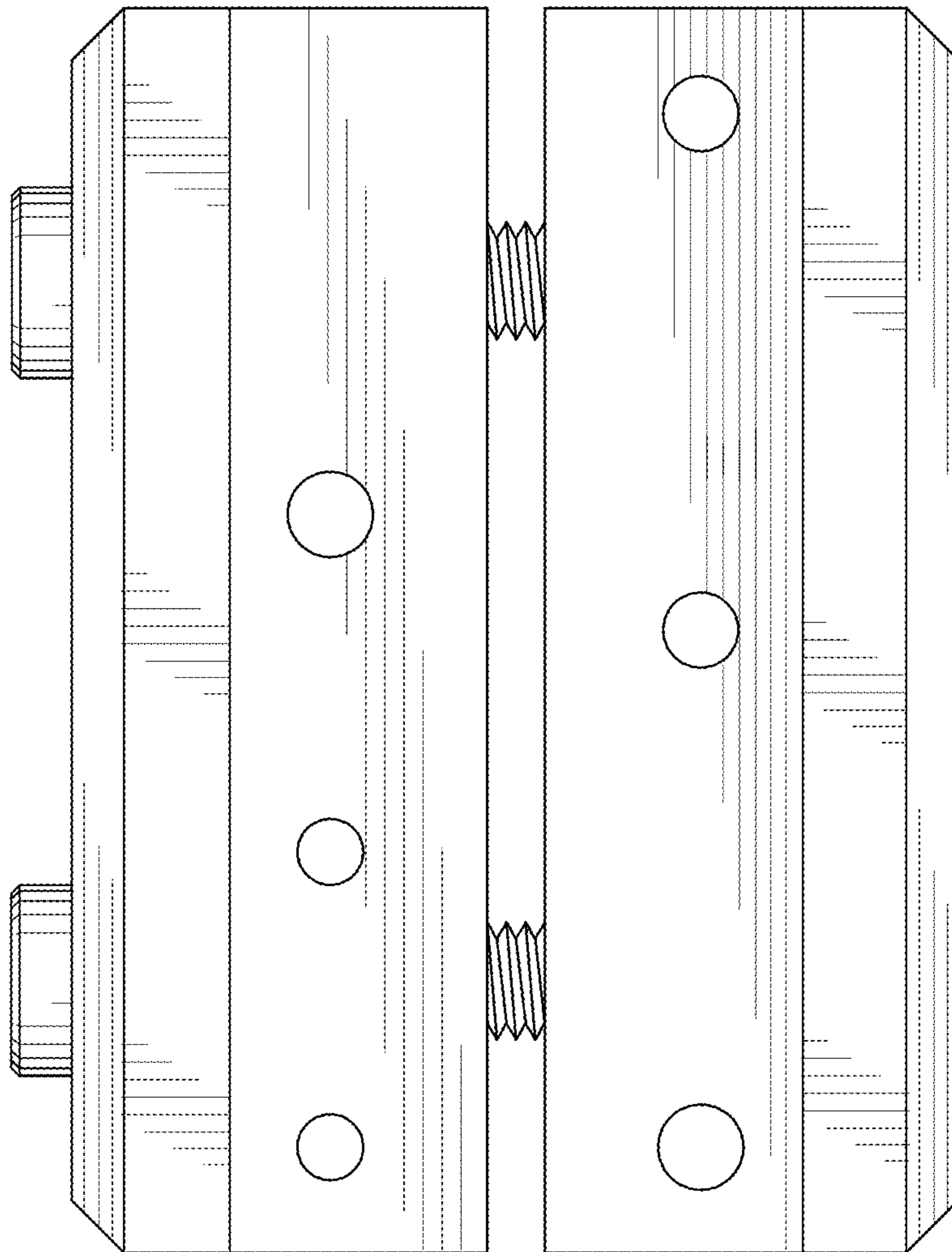


FIG.17