



US00D835746S

(12) **United States Design Patent** (10) **Patent No.:** **US D835,746 S**
Ashley (45) **Date of Patent:** **** Dec. 11, 2018**

(54) **MULTIPLE CALIBER BORE PLUG**
(71) Applicant: **Otis Products, Inc.**, Lyons Falls, NY
(US)

(72) Inventor: **Christopher Ashley**, Liverpool, NY
(US)

(73) Assignee: **Otis Products, Inc.**, Lyons Falls, NY
(US)

(**) Term: **15 Years**

(21) Appl. No.: **29/630,312**

(22) Filed: **Dec. 20, 2017**

(51) **LOC (11) Cl.** **22-01**

(52) **U.S. Cl.**
USPC **D22/108**; D22/199; D9/439; D8/387

(58) **Field of Classification Search**
USPC D9/439; D7/387; D22/108, 199;
D20/27, 41; D8/387, 356, 383
CPC B65D 2539/001; B65D 2539/003; B65D
2539/005; B65D 2539/006; F41A 17/44;
F41A 29/00; F41A 29/02
See application file for complete search history.

(56) **References Cited**

U.S. PATENT DOCUMENTS

D122,941 S * 10/1940 Grunberg D9/439
2,798,404 A * 7/1957 Schaefer F16B 37/16
16/110.1
2,850,788 A * 9/1958 Rypysc A01N 1/02
27/21.1
2,985,979 A * 5/1961 Doyle F41A 17/44
42/96
D255,428 S * 6/1980 Kretz D9/439
5,099,596 A * 3/1992 Butler, Jr. F41A 17/74
42/70.11
D384,507 S * 10/1997 Mudie D32/52
D406,790 S * 3/1999 Leather D11/118
D422,214 S * 4/2000 Hollinger D9/439

D451,337 S * 12/2001 Sum D7/387
D471,400 S * 3/2003 Jeter D7/387
6,871,431 B2 * 3/2005 Schmidt B60R 13/105
40/200
D575,639 S * 8/2008 Seeuwen D9/439
(Continued)

OTHER PUBLICATIONS

Metal Defense Bore Stick, image review date: May 1, 2018, site visited on Jul. 16, 2018 [online] <<https://otistec.com/metal-defense-bore-stick/>>.*

(Continued)

Primary Examiner — Sandra S Snapp
Assistant Examiner — Ieisha N Price
(74) *Attorney, Agent, or Firm* — Harris Beach PLLC

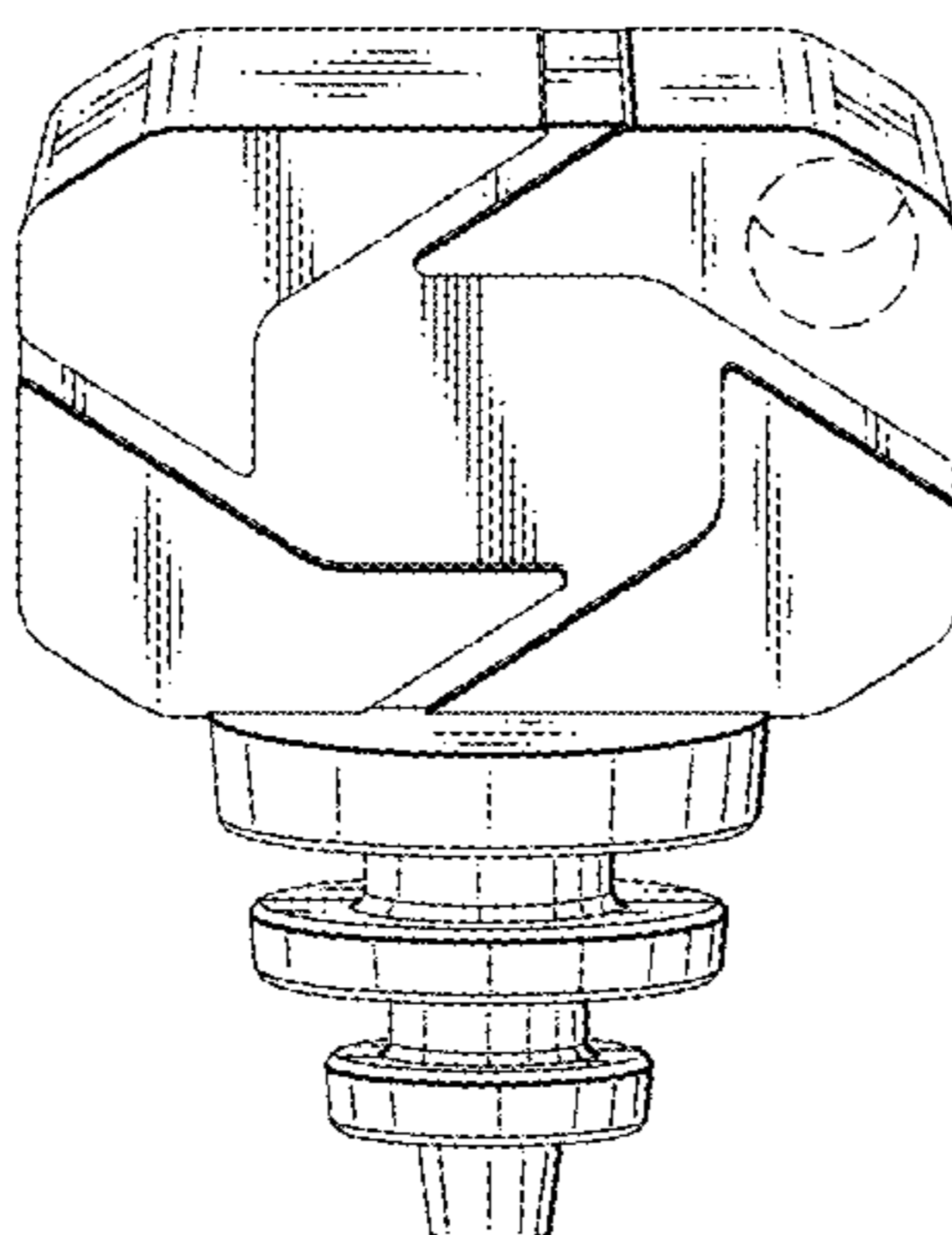
(57) **CLAIM**

The ornamental design for a multiple caliber bore plug, as shown and described.

DESCRIPTION

FIG. 1 is a top perspective view of the multiple caliber bore plug showing my new design;
FIG. 2 is a front elevational view of the multiple caliber bore plug of FIG. 1;
FIG. 3 is a left side elevational view of the multiple caliber bore plug of FIG. 1;
FIG. 4 is a right side elevational view of the multiple caliber bore plug of FIG. 1;
FIG. 5 is a rear elevational view of the multiple caliber bore plug of FIG. 1;
FIG. 6 is a top plan view of the multiple caliber bore plug of FIG. 1; and,
FIG. 7 is a bottom plan view of the multiple caliber bore plug of FIG. 1.
The broken lines in the figures show features of the multiple caliber bore plug that form no part of the claimed design.

1 Claim, 1 Drawing Sheet



(56)

References Cited

U.S. PATENT DOCUMENTS

D759,462 S * 6/2016 Bransgrove D8/347
D779,016 S * 2/2017 Rumpke D22/108
D803,054 S * 11/2017 van Spronsen D9/443
2006/0185658 A1 * 8/2006 Stevens F41A 17/44
124/80
2014/0138386 A1 * 5/2014 Blanchard B65D 39/0029
220/379
2014/0175100 A1 * 6/2014 Foresman B65D 39/0029
220/305
2015/0014367 A1 * 1/2015 VanSyckel B65D 47/121
222/399

OTHER PUBLICATIONS

Happy Birthday Music Box Wine Stoppers by Wild Eye, image post date: unknown, site visited on Jul. 16, 2018 [online] <https://www.amazon.com/Happy-Birthday-Stoppers-Wild-Eye/dp/B073SFPSY2/ref=sr_1_188?s=kitchen&ie=UTF8&qid=1531757726&sr=1-188&keywords=wine+stopper>.*

Glam Wine Stoppers With Stone Inlay, image post date: unknown, site visited on Jul. 16, 2018 [online] <<https://www.floor9living.com/glam-wine-stoppers-with-stone-inlay-set-of-3-1FLH2456.html?cgid=wine-stopper#start=2>>.*

* cited by examiner

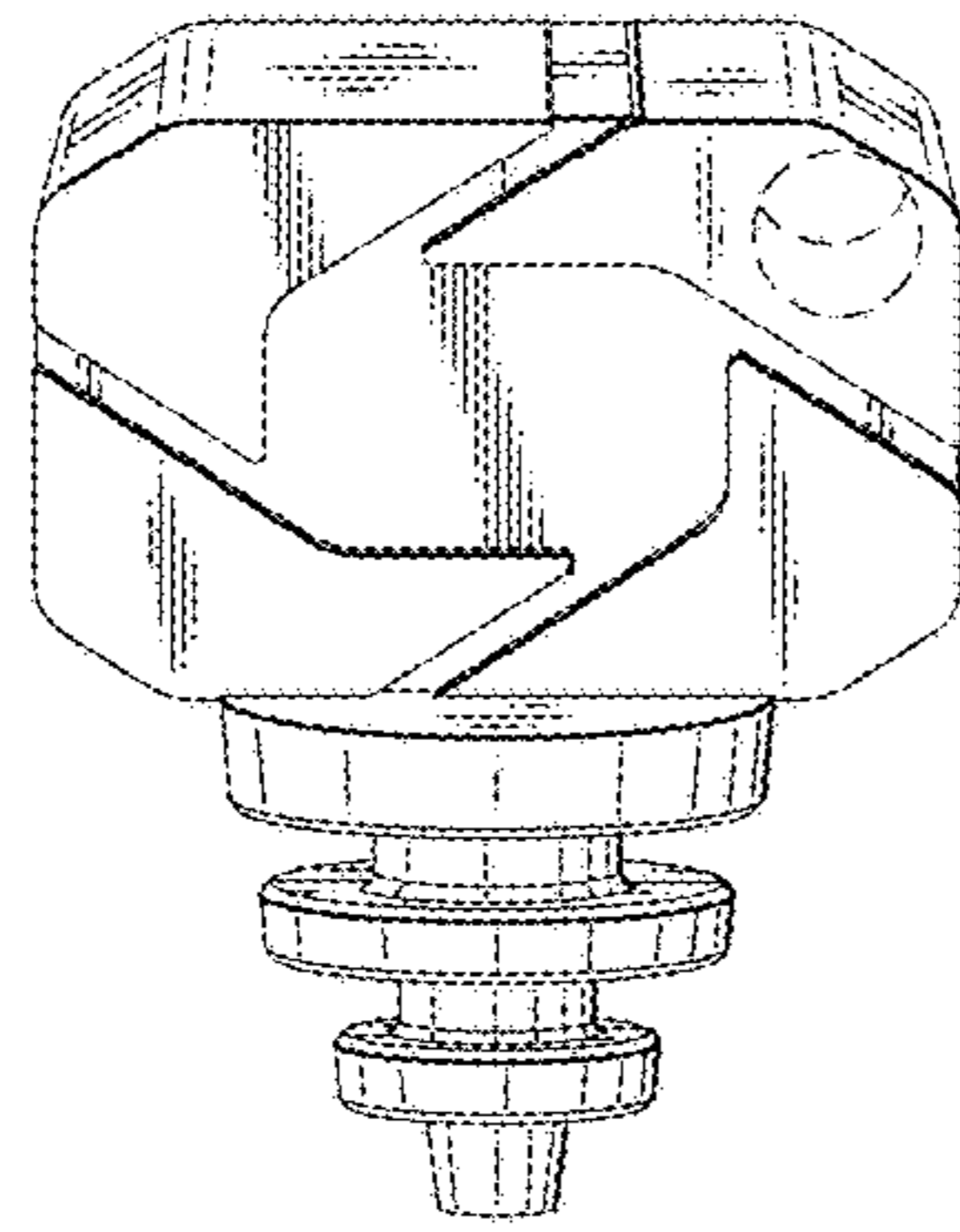


FIG. 1

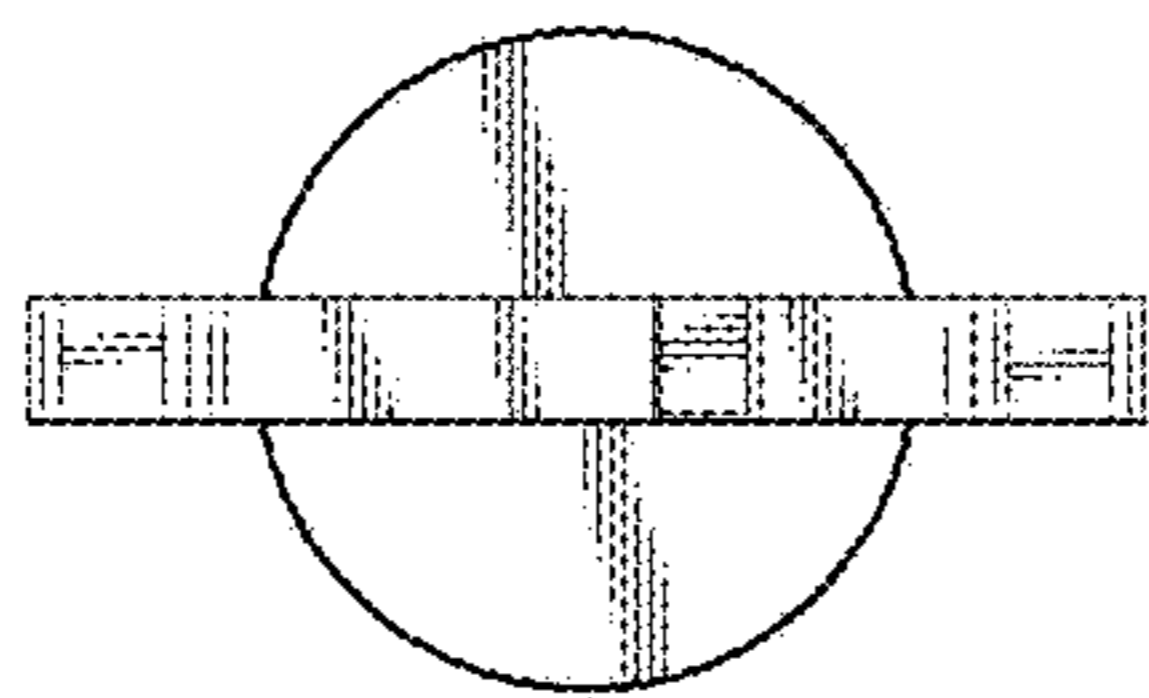


FIG. 6

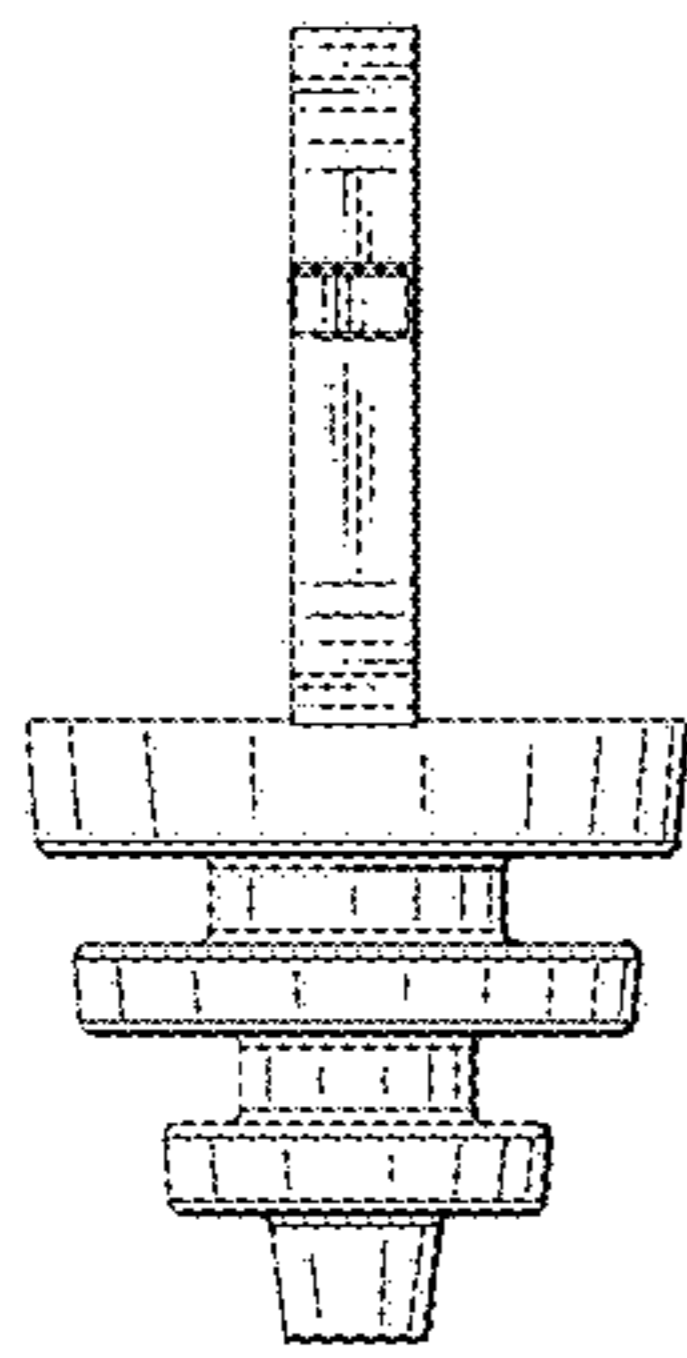


FIG. 3

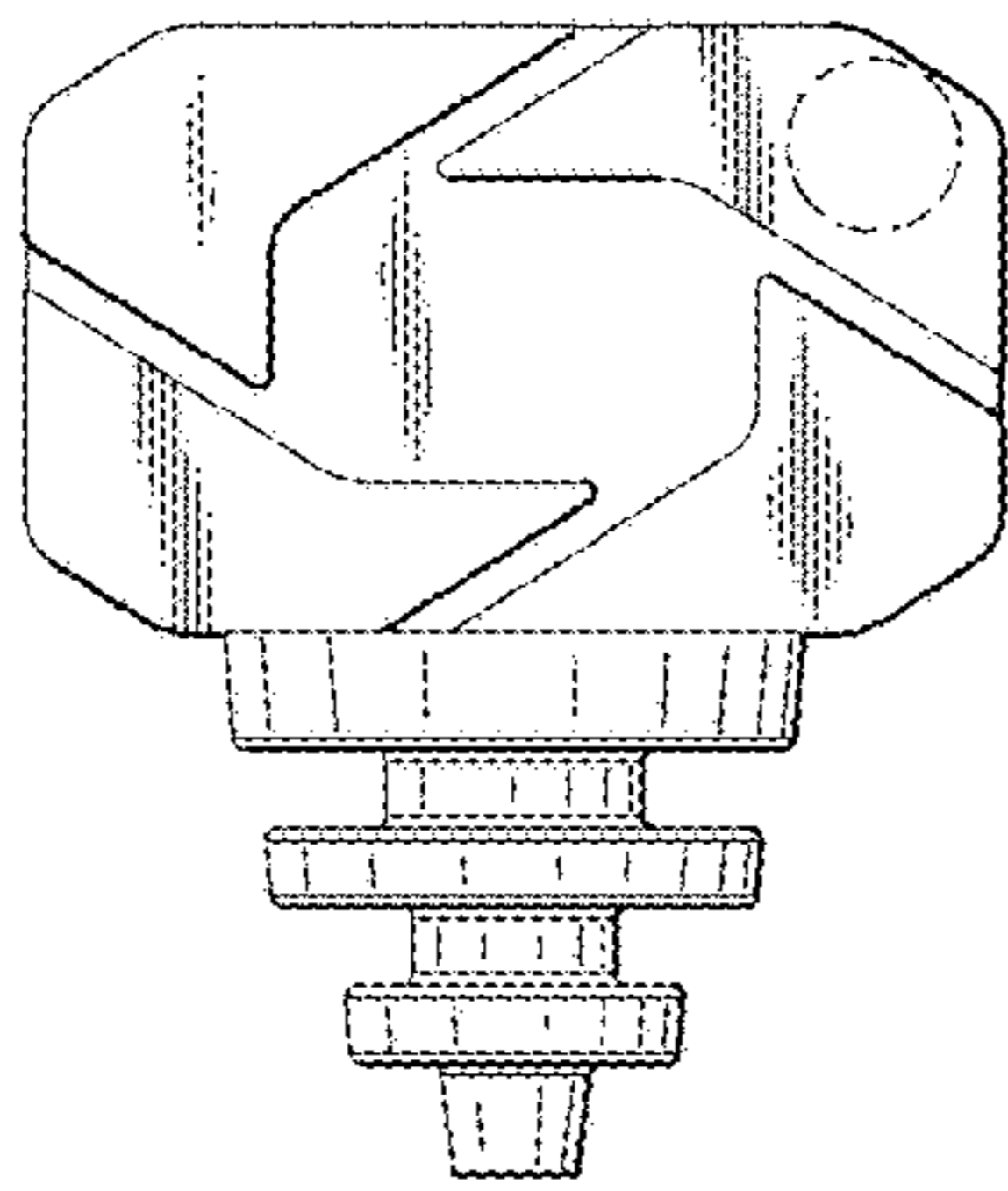


FIG. 2

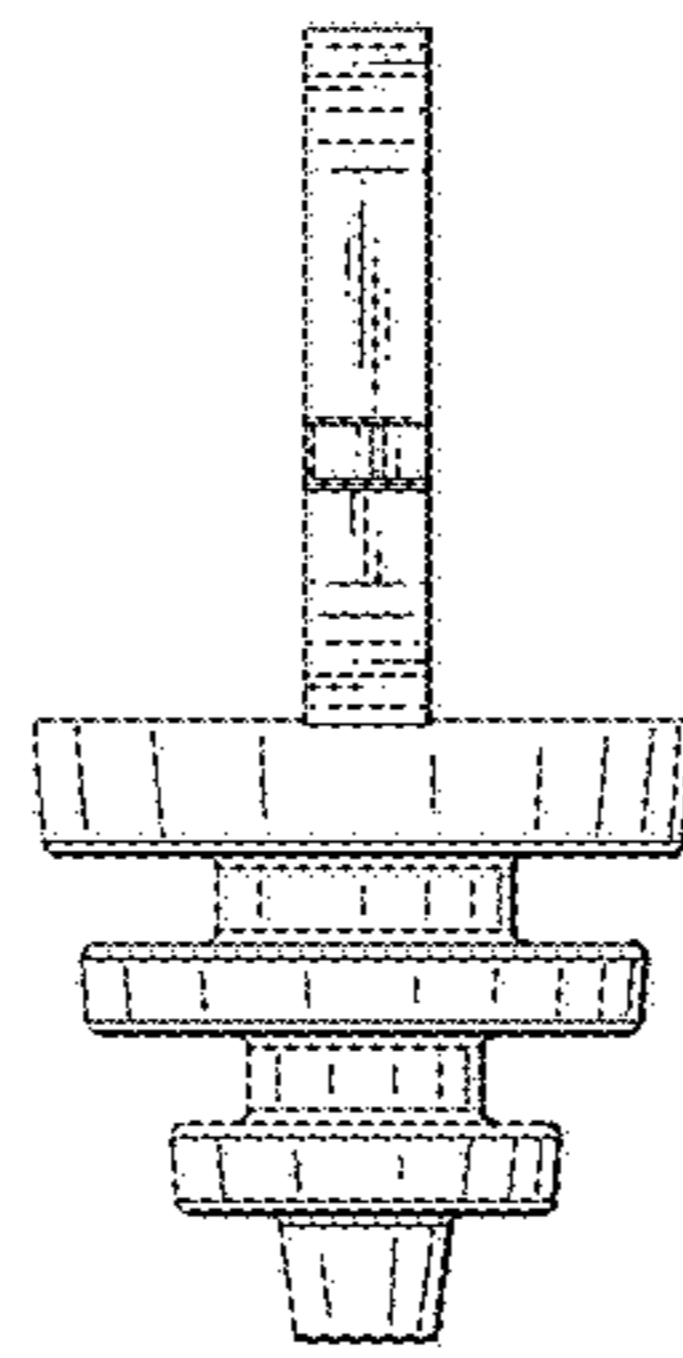


FIG. 4

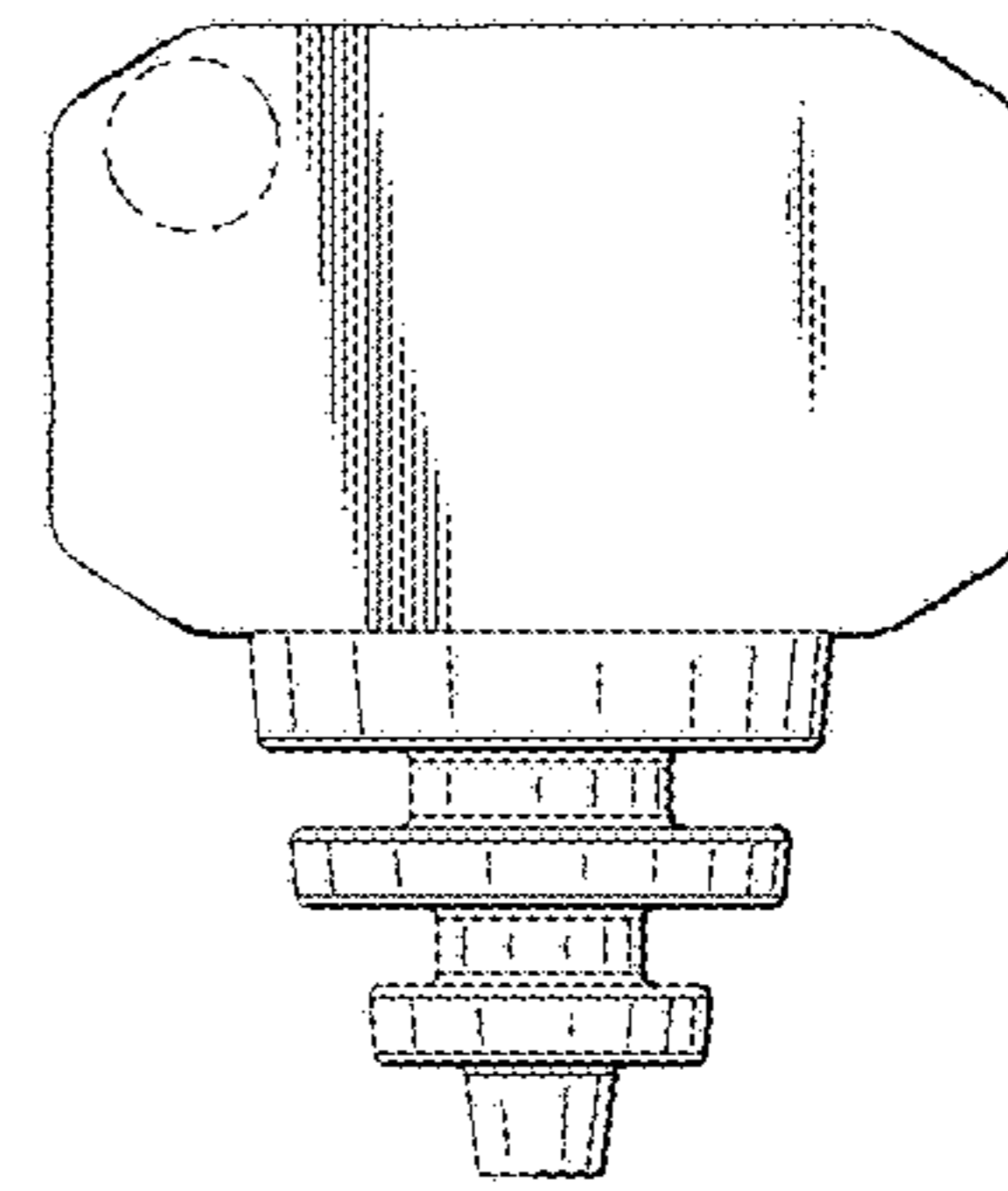


FIG. 5

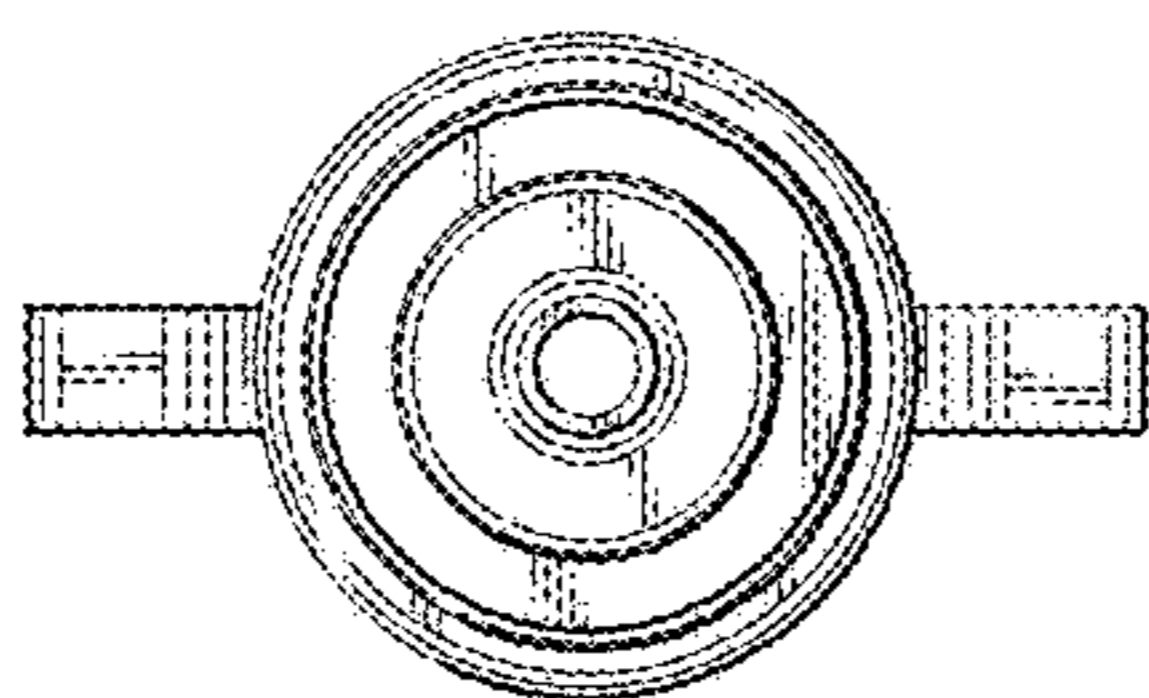


FIG. 7