



US00D835744S

(12) **United States Design Patent** (10) **Patent No.:** **US D835,744 S**
Lazar et al. (45) **Date of Patent:** **** Dec. 11, 2018**

(54) **QUICK RELEASE TRIGGER LOCK ASSEMBLY**

(71) Applicant: **Scott Wilson Design, Ltd.**, Chicago, IL (US)

(72) Inventors: **Eli Lazar**, Urbana, IL (US); **Scott H. Wilson**, Chicago, IL (US); **Gary H. Paulsen**, Chicago, IL (US); **Kyle Buzzard**, Lombard, IL (US)

(73) Assignee: **Scott Wilson Design, Ltd.**, Chicago, IL (US)

(**) Term: **15 Years**

(21) Appl. No.: **29/597,759**

(22) Filed: **Mar. 20, 2017**

(51) **LOC (11) Cl.** **22-01**

(52) **U.S. Cl.**
USPC **D22/108**

(58) **Field of Classification Search**
USPC D22/100, 108, 199; 42/44, 66, 70.02, 42/70.06, 70.07, 70.11, 150; 70/58, 63, 70/202, 211, 312; D1/127-130, 199; D11/200, 220-228, 95, 10-11, 26-28, D11/40-43, 75, 89-93; D28/8.1; D21/386; D24/100-101; 119/702,
(Continued)

(56) **References Cited**

U.S. PATENT DOCUMENTS

1,365,092 A * 1/1921 Costello B21K 1/64
470/26
1,488,271 A * 3/1924 Miller B23P 15/48
470/185

(Continued)

OTHER PUBLICATIONS

Safety/Trigger Lock Big Head with Red "W", NuLineGuns.com, [online], [site visited Jun. 27, 2018]. <URL: http://www.nulineguns.com/part_part_2400_3_31_42.php> (Year: 2018).*

(Continued)

Primary Examiner — T Chase Nelson

Assistant Examiner — Jonathan J. Han

(74) *Attorney, Agent, or Firm* — Neal, Gerber & Eisenberg LLP

(57) **CLAIM**

The ornamental design for a quick release trigger lock assembly, as shown and described.

DESCRIPTION

FIG. 1 is a perspective view of the quick release trigger lock assembly taken from approximately a 45 degree raised side view, with the quick release trigger lock assembly shown as an upper and lower component being installed onto a firearm, in accordance with the present invention;

FIG. 2 is a perspective view of the quick release trigger lock assembly depicted in FIG. 1, taken from approximately a 45 degree raised side view without the firearm in place;

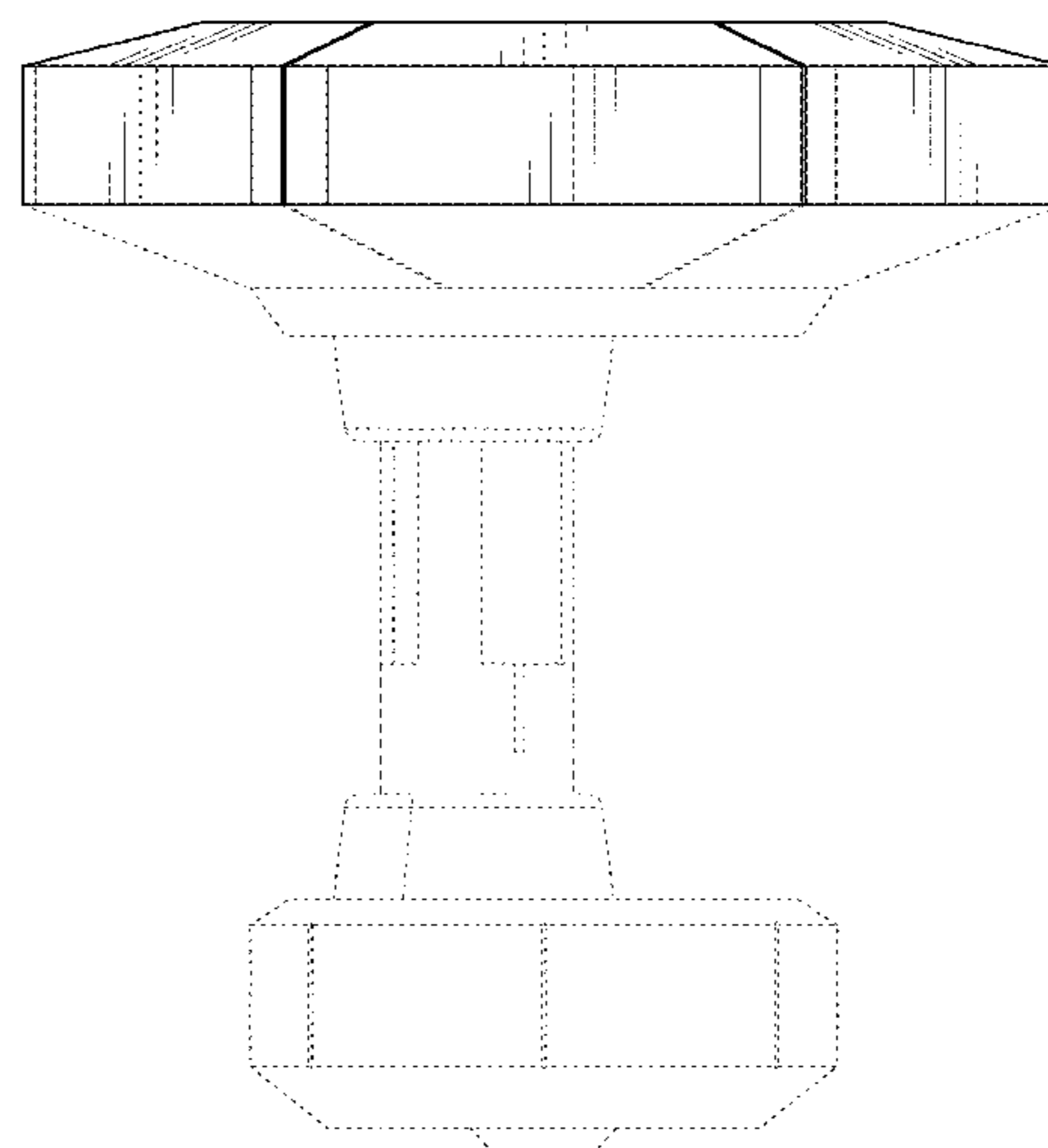
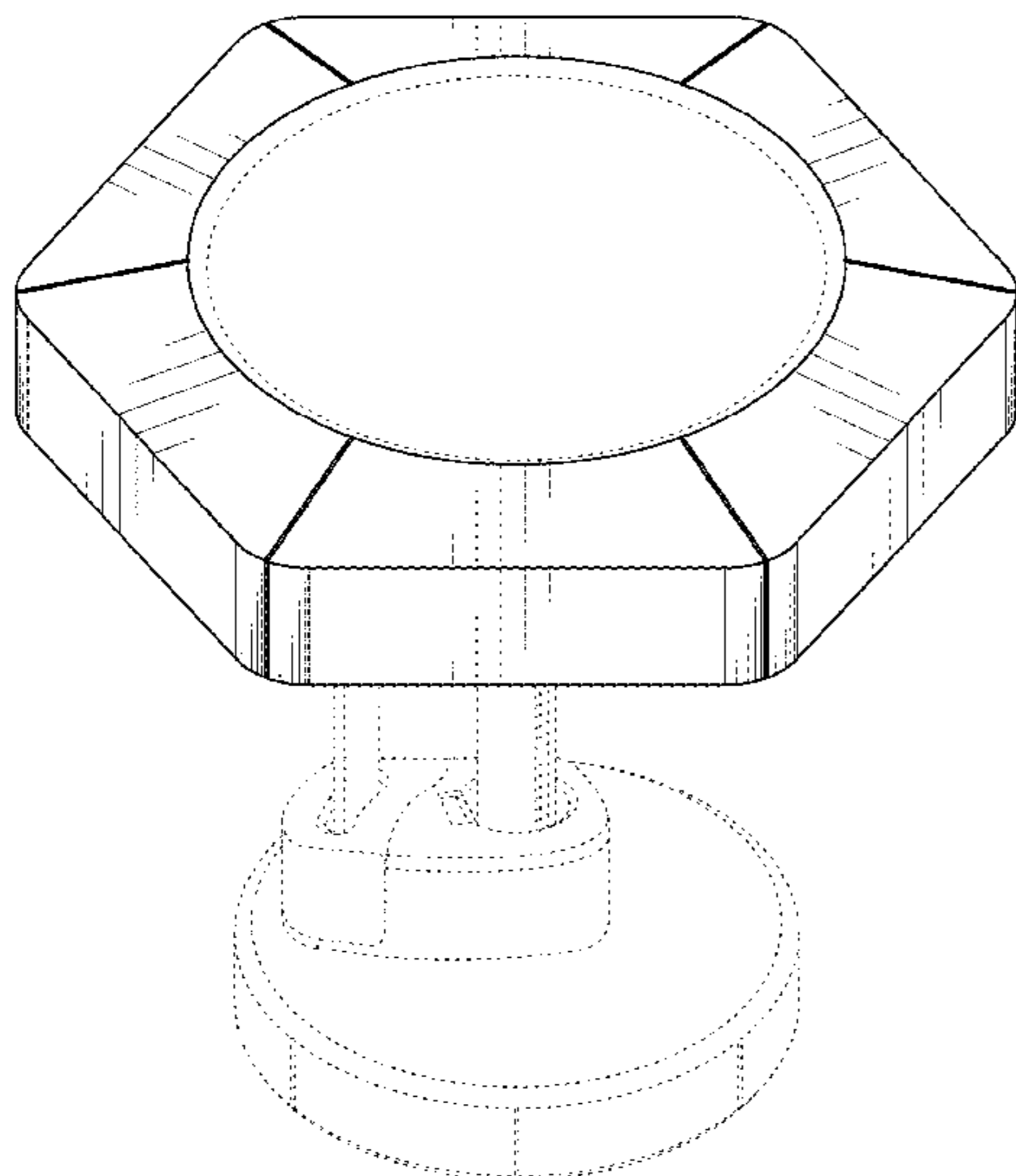
FIG. 3 is a top view of the quick release trigger lock assembly depicted in FIG. 1;

FIG. 4 is a side view of the quick release trigger lock assembly depicted in FIG. 1;

FIG. 5 is a bottom view of the quick release trigger lock assembly depicted in FIG. 1, with the lower component removed.

The broken lines in the drawings are provided for environment and depict unclaimed portions of the quick release trigger lock assembly and/or an unclaimed exemplary firearm with which the quick release trigger lock assembly is used. The broken lines form no part of the claimed design.

1 Claim, 5 Drawing Sheets



(58) **Field of Classification Search**

USPC 119/707-711; 24/90.5, 113 MP, 113 R,
 24/114.4, 114.7; 63/1.17, 1.18, 33;
 40/1.5, 315; D12/118, 400, 161, 159,
 D12/160, 201-213, 197, 223, 114;
 D8/402, 499, 300, 303, 308, 309, 310,
 D8/311, 312, 394, 382, 349, 387, 388,
 D8/391, 393, 399, 307; D23/206;
 D9/453, 503, 443, 454, 456, 367, 434;
 D15/5; 215/33, 200, 224, 247, 296, 315,
 215/287, 363, 376; 206/816, 508;
 217/81
 CPC B62K 2025/041; B62K 2025/045; B62K
 2025/048; B62K 2025/042; B62K
 2025/044; B62K 2025/047; G05G 9/02;
 G05G 9/00; F16F 1/121; F16F 13/02;
 F16F 13/04; F16F 13/101; F16F 15/0275;
 F16F 15/1202

See application file for complete search history.

6,722,071 B1 * 4/2004 Lin F41A 17/02
 42/70.07
 D526,883 S * 8/2006 Gilbert D8/307
 7,216,449 B2 5/2007 Riebling et al.
 D572,998 S * 7/2008 Crain D8/305
 7,421,814 B2 9/2008 Peles
 D629,278 S * 12/2010 Koskela D8/310
 D632,944 S * 2/2011 Kang D8/312
 D655,771 S * 3/2012 Thompson D21/753
 D659,789 S * 5/2012 Trevino, III D22/108
 D675,655 S * 2/2013 Leach D15/144
 D676,551 S * 2/2013 Desai D24/129
 D705,326 S * 5/2014 Huschka D16/101
 D705,331 S * 5/2014 Huschka D16/101
 D717,151 S * 11/2014 Ramsland D8/307
 D771,469 S * 11/2016 Zimmer D8/307
 D771,470 S * 11/2016 Zimmer D8/310
 D772,687 S * 11/2016 Zimmer D8/310
 9,488,427 B1 * 11/2016 Lucero F41A 17/54
 9,631,663 B2 * 4/2017 Carnevali F16B 39/12
 9,648,924 B2 * 5/2017 Hull A43B 13/14
 D806,510 S * 1/2018 Yates D8/311
 D813,641 S * 3/2018 Osanai D8/310
 2016/0054080 A1 2/2016 Haimi

(56) **References Cited**

U.S. PATENT DOCUMENTS

1,686,482 A * 10/1928 Windle F41A 17/54
 42/70.06
 2,664,658 A * 1/1954 Bjorklund F41A 17/54
 42/70.06
 3,550,472 A * 12/1970 Dummer G05G 5/12
 200/318.1
 D245,147 S * 7/1977 Ono D8/387
 D287,456 S * 12/1986 Kobos D8/14
 D301,690 S * 6/1989 Mobberley D9/452
 5,191,158 A 3/1993 Fuller et al.
 5,561,935 A 10/1996 McCarthy et al.
 D375,342 S * 11/1996 Collins D22/108
 D388,149 S * 12/1997 Langner D22/100
 D443,014 S * 5/2001 Vicale D22/100
 6,405,469 B1 6/2002 Walsh
 6,418,653 B1 7/2002 Bowles
 6,474,238 B1 * 11/2002 Weinraub F41A 17/54
 42/70.07
 6,510,640 B2 * 1/2003 Strong F41A 17/54
 42/70.01
 D485,595 S * 1/2004 Schaub D22/108

OTHER PUBLICATIONS

Universal Trigger Lock, Locks4Guns.com, [online], [site visited Jun. 27, 2018]. <URL: <https://www.locks4guns.com/product/universal-trigger-lock/>> (Year: 2018).*

Best Gun Safes at Every Price Point, GunsandAmmo.com, Richard Nance, Jun. 4, 2013, Master Lock 90KADST, [online], [site visited Jun. 27, 2018]. <URL: <http://www.gunsandammo.com/gear-accessories/gunsafes-at-every-price/>> (Year: 2013).*

Winchester Trigger Lock 3 Pack, CheaperThanDirt.com, [online], [site visited Jun. 27, 2018]. <URL: <https://www.cheaperthandirt.com/product/winchester-gundocks-three-trigger-locks-keyed-alike-dac-winmtl-761903363028.do?sortBy=ourPicks&refType=&from=fn&ecList=7&ecCategory=117907>> (Year: 2018).*

Gun Locks, Order Page, Master Lock Company LLC, 2016.

Keyed Trigger Lock, Product Specification and Order Page, Franzen International Security Products, Inc., 2017.

Master 90 Gun Lock, Instruction Page, Master Lock Company LLC, 1999.

Thatcher, "Trigger lock created by Lake Havasu inventor," Cronkite News, Feb. 3, 2016.

* cited by examiner

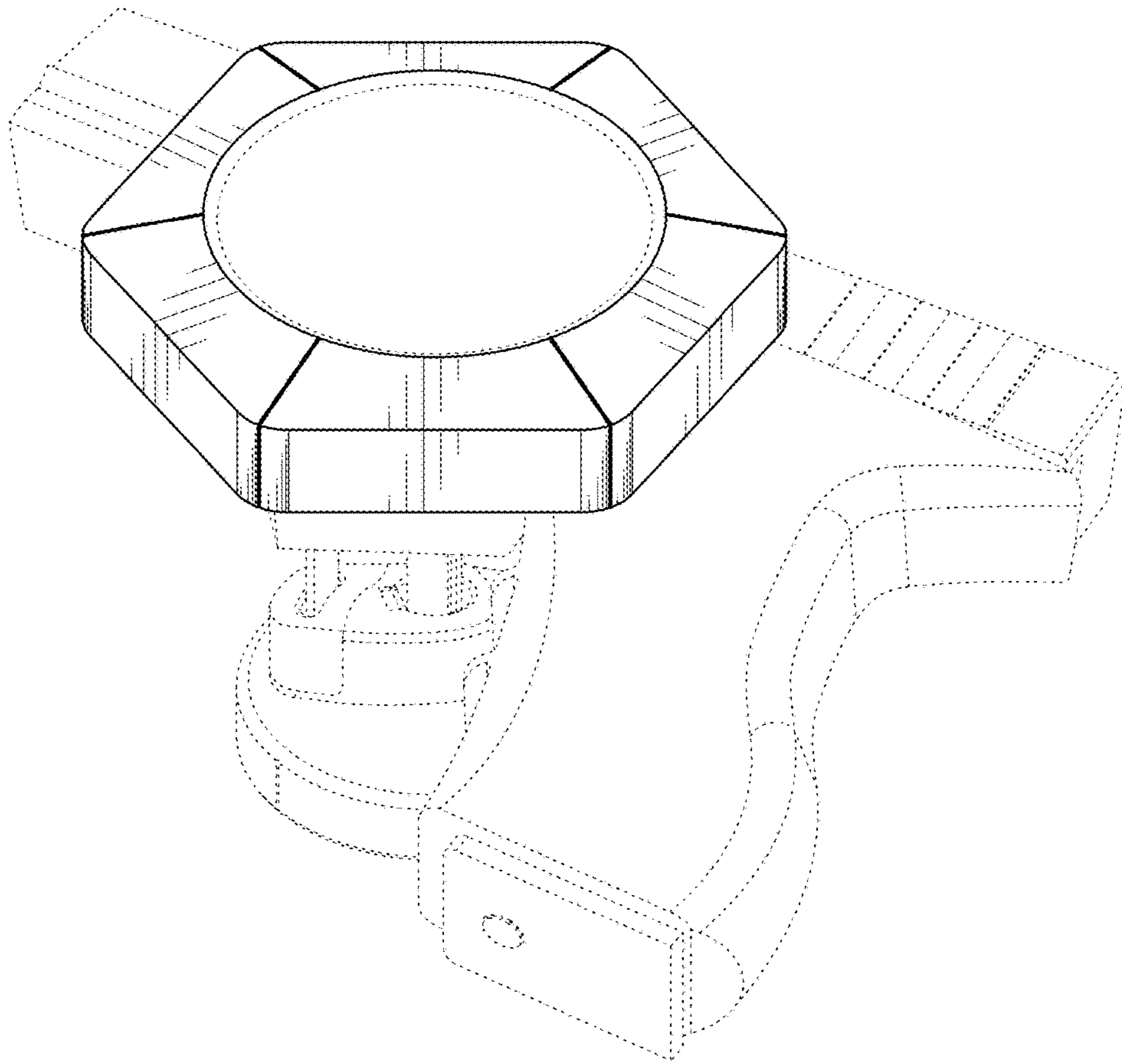


FIG. 1

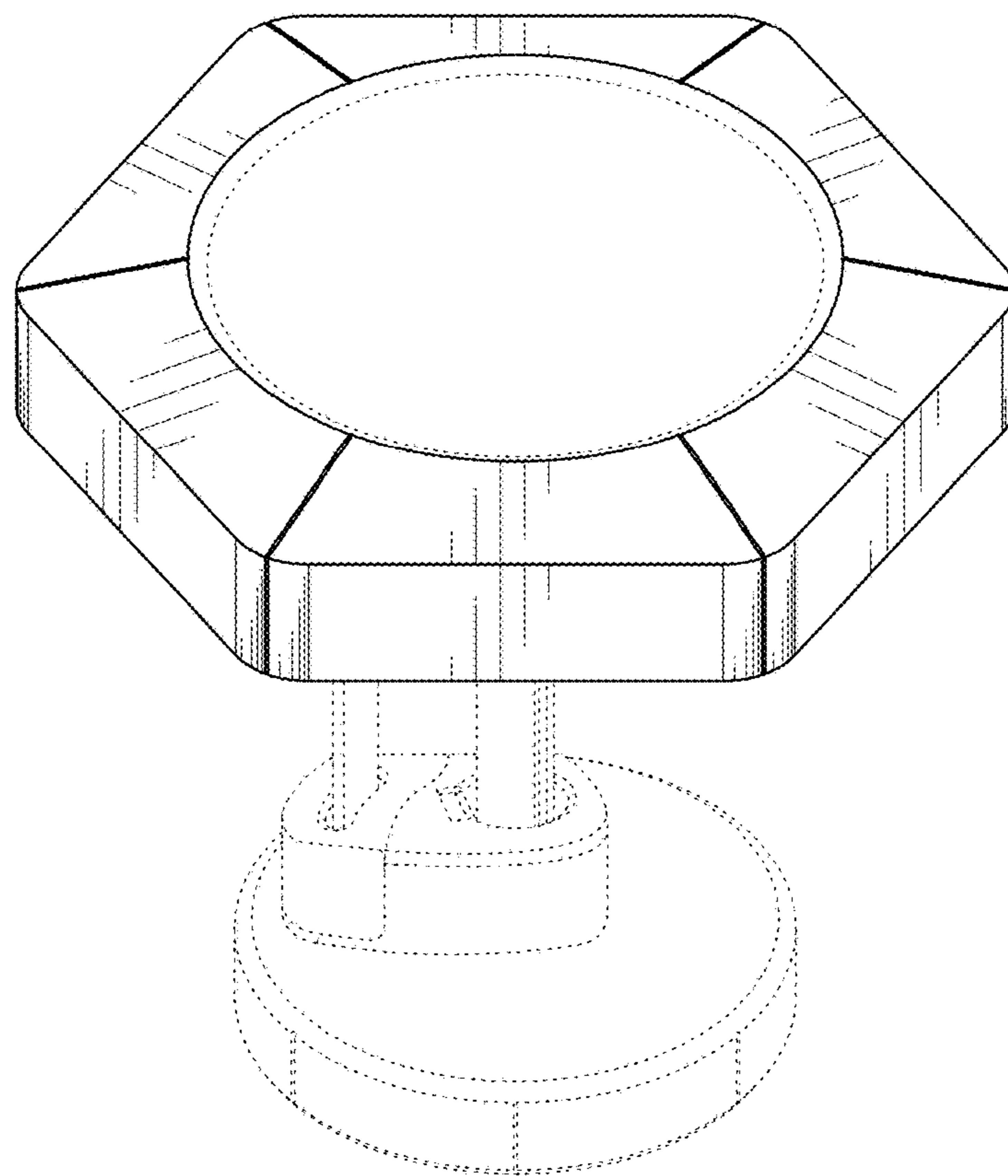


FIG. 2

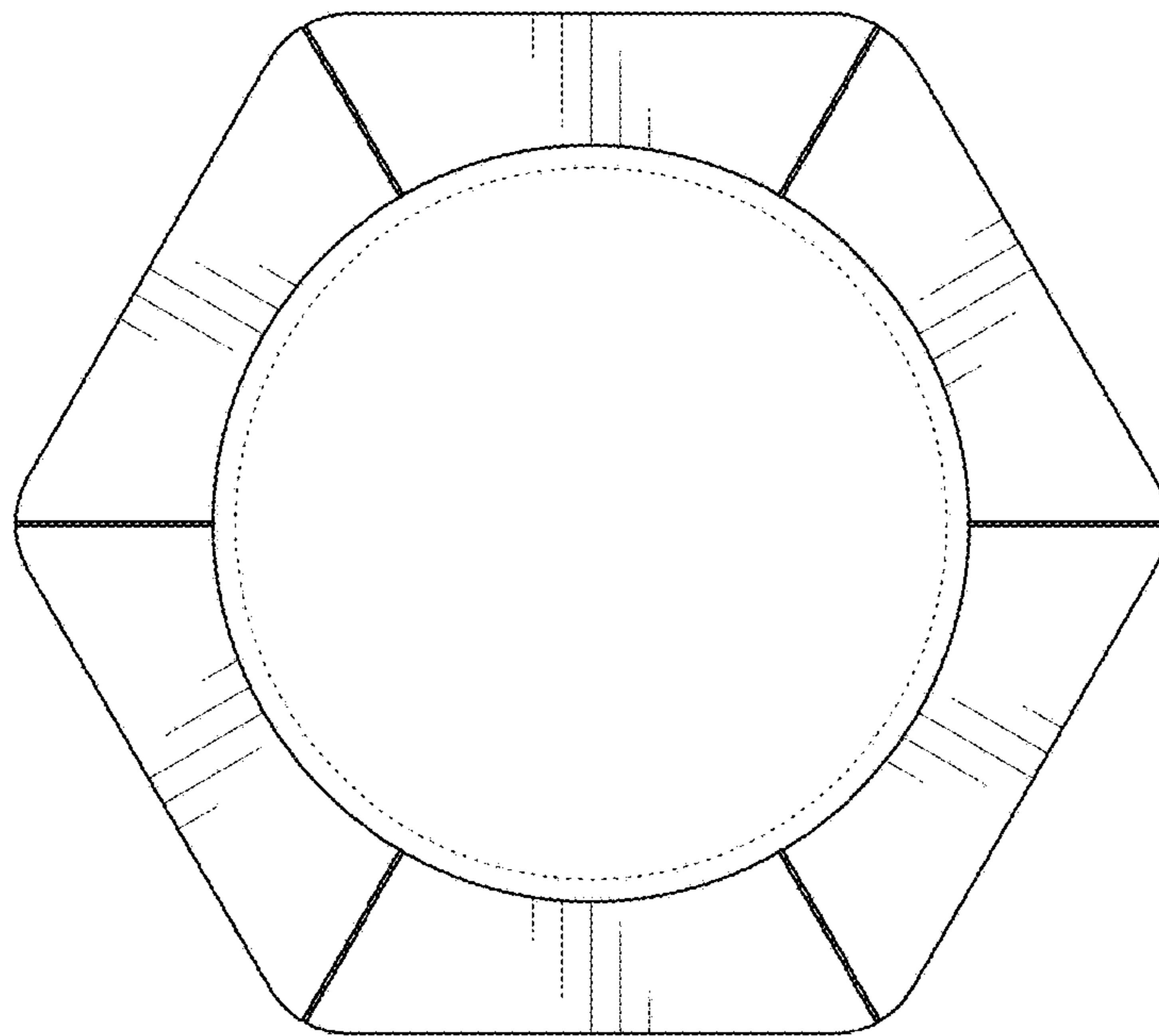


FIG. 3

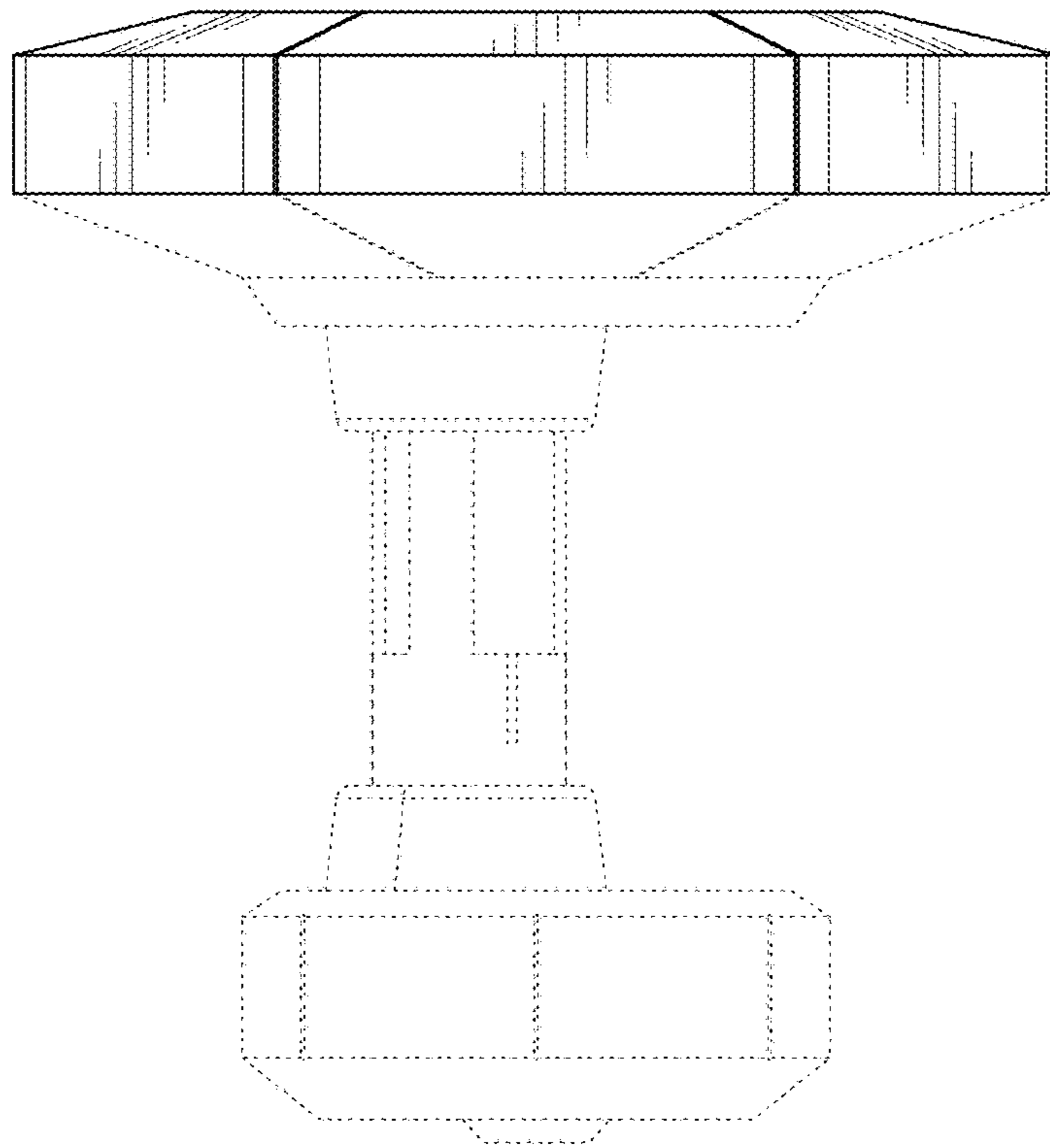


FIG. 4

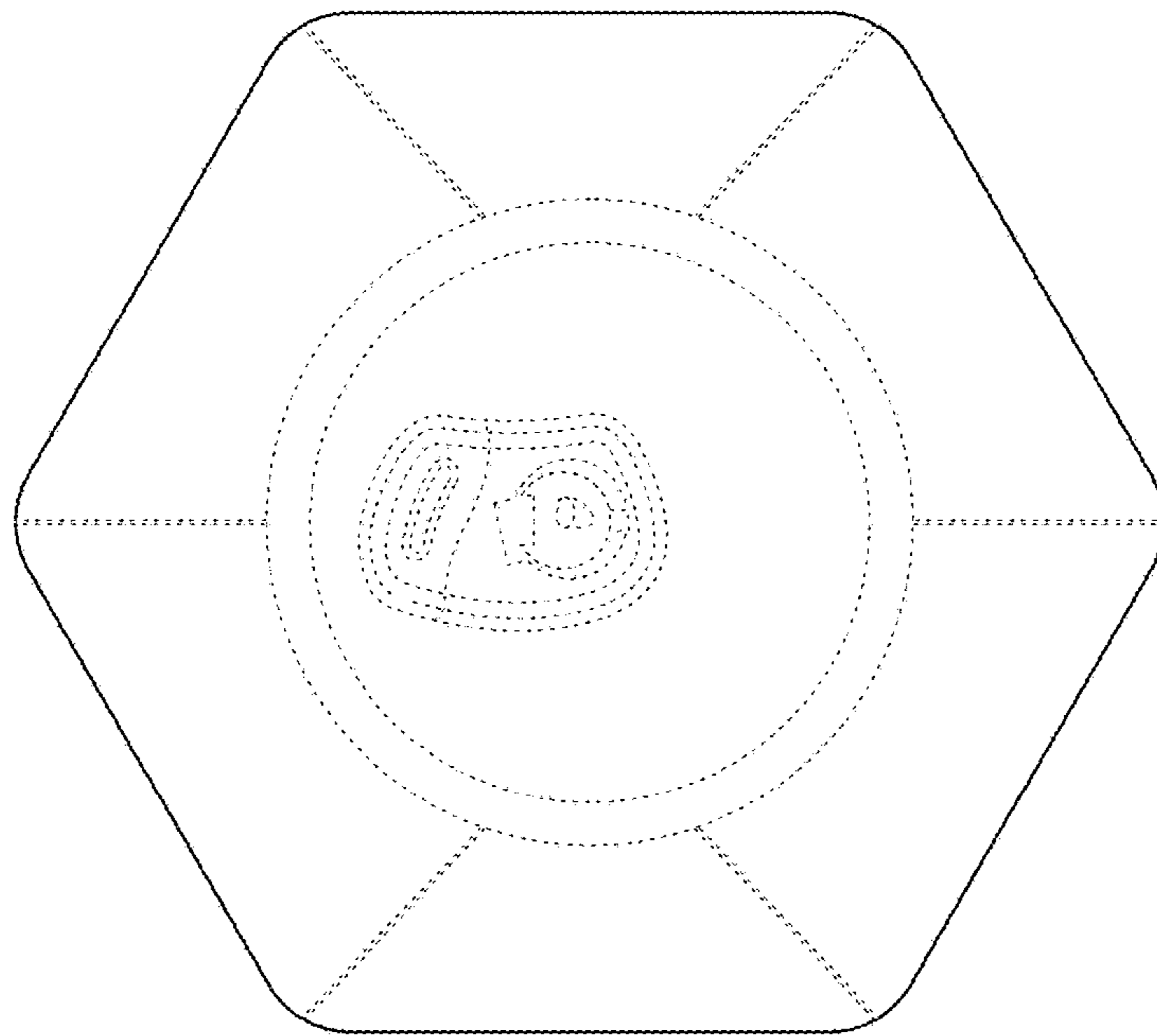


FIG. 5