



US00D835743S

(12) **United States Design Patent** (10) **Patent No.:** **US D835,743 S**
Bender (45) **Date of Patent:** **** Dec. 11, 2018**

- (54) **FIREARM TRIGGER**
- (71) Applicant: **In Ovation LLC**, Vadnais Heights, MN (US)
- (72) Inventor: **Terrence Dwight Bender**, Minneapolis, MN (US)
- (73) Assignee: **In Ovation, LLC**, Minneapolis, MN (US)
- (**) Term: **15 Years**
- (21) Appl. No.: **29/574,473**
- (22) Filed: **Aug. 16, 2016**

D504,168	S *	4/2005	McCormick	D22/108
7,162,824	B1	1/2007	McCormick		
7,188,561	B1	3/2007	Kelbly		
7,293,385	B2	11/2007	McCormick		
7,331,136	B2	2/2008	Geissele		
7,421,937	B1	9/2008	Gangl		
7,526,889	B2	5/2009	Metzger et al.		
D593,617	S *	6/2009	Dochterman	D21/573
7,600,338	B2	10/2009	Geissele		
7,661,220	B2	2/2010	Crandall et al.		
D624,609	S *	9/2010	Stein	D21/573
7,854,084	B1	12/2010	Rutherford		

(Continued)

OTHER PUBLICATIONS

Zediker, Glenn, AR15 Triggers, Zediker Publishing, 2007, pp. 1-3.
(Continued)

Primary Examiner — Michael A. Pratt
(74) *Attorney, Agent, or Firm* — Vidas, Arrett & Steinkraus

- Related U.S. Application Data**
- (62) Division of application No. 29/506,962, filed on Oct. 22, 2014, now Pat. No. Des. 764,004.
- (51) **LOC (11) Cl.** **22-01**
- (52) **U.S. Cl.**
USPC **D22/108**
- (58) **Field of Classification Search**
USPC D22/108
CPC F41A 19/10; F41A 17/46; F41A 35/00;
F41A 19/09; F41A 19/11; F41A 19/21;
F41C 27/00
See application file for complete search history.

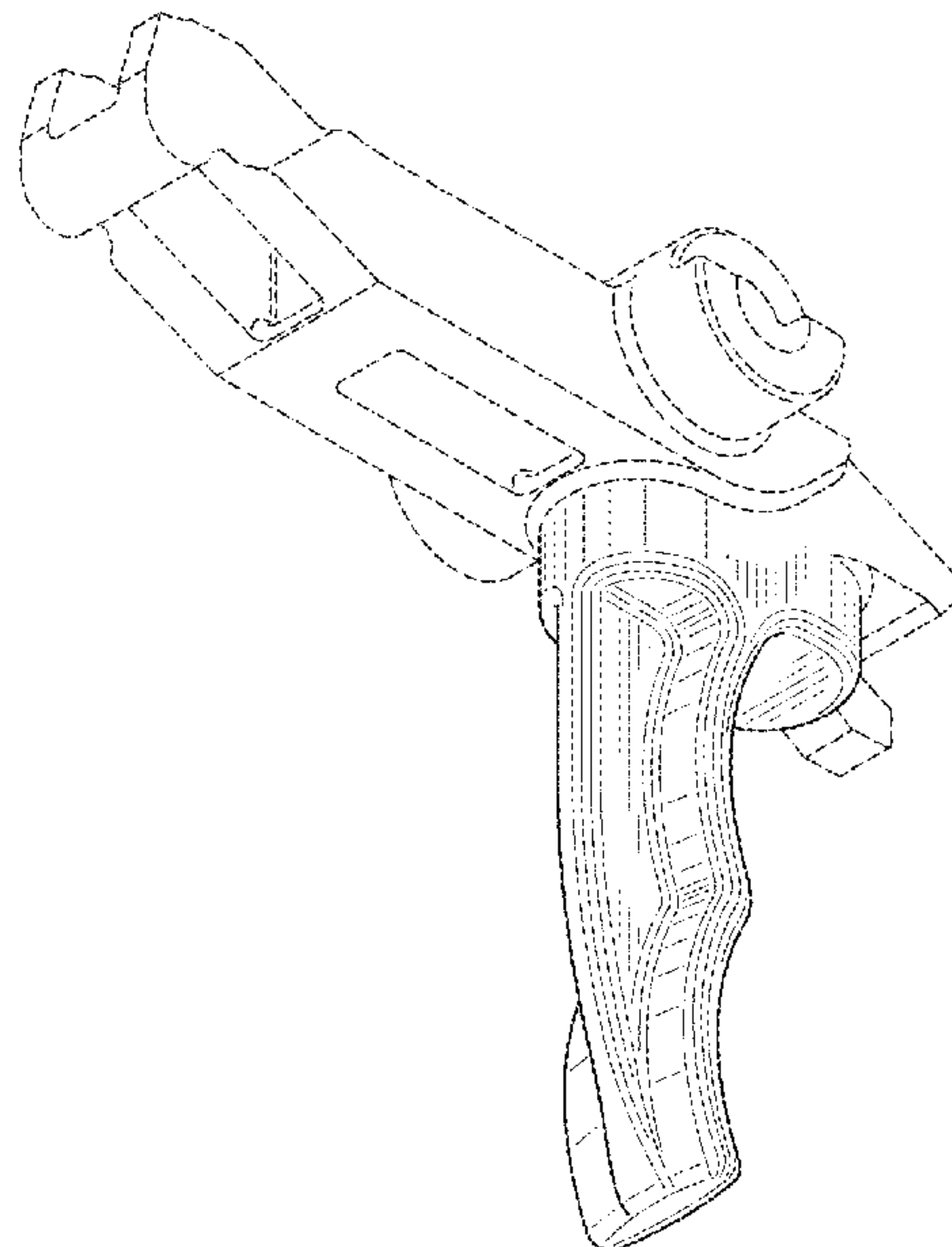
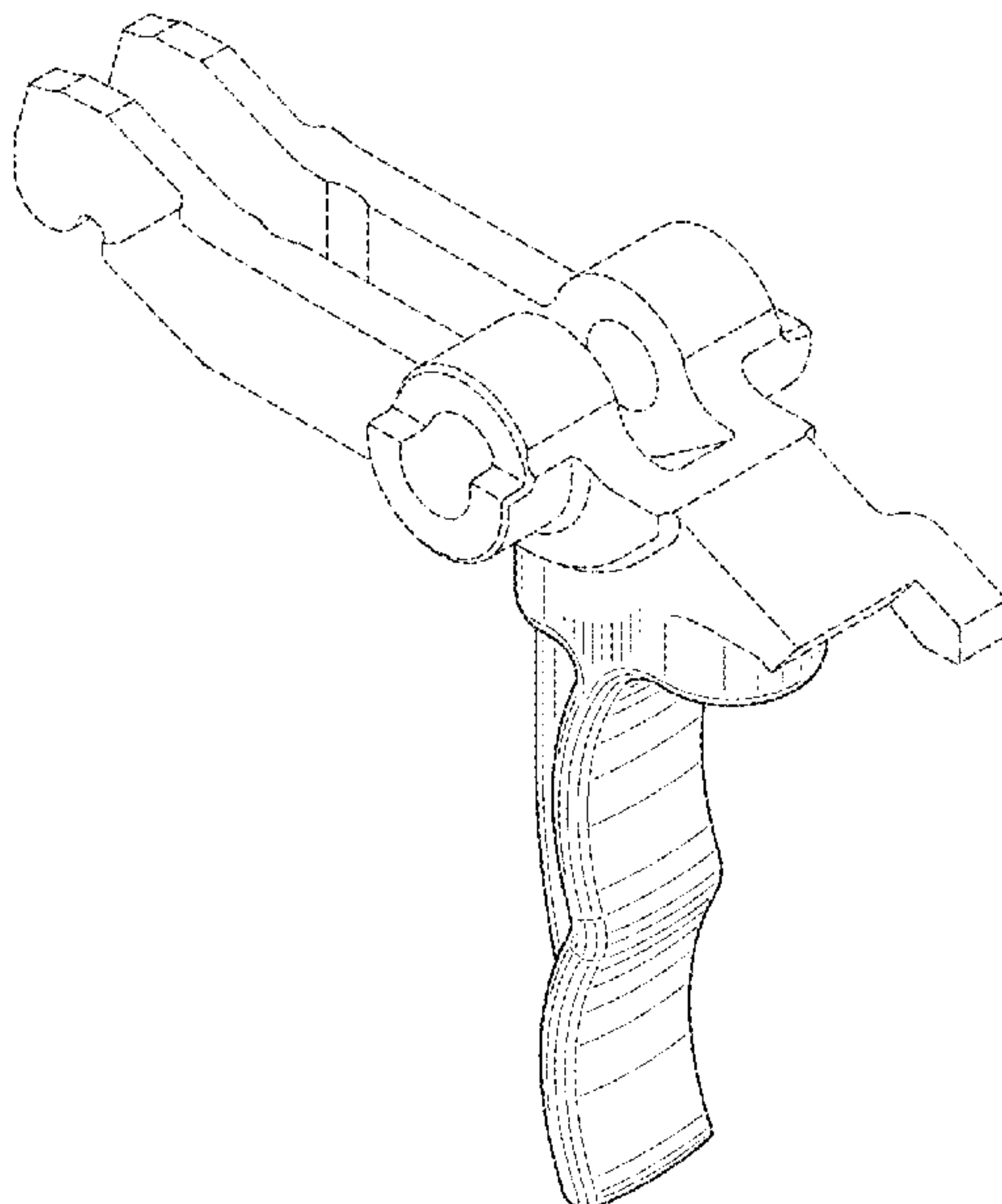
(57) **CLAIM**
The ornamental design for a firearm trigger, as shown and described.

DESCRIPTION

FIG. 1 is a front angled isometric view of the firearm trigger. FIG. 2 is a rear angled isometric view of the firearm trigger. FIG. 3 is a right side view of the firearm trigger. FIG. 4 is a left side view of the firearm trigger. FIG. 5 is a rear view of the firearm trigger. FIG. 6 is a front view of the firearm trigger. FIG. 7 is a top view of the firearm trigger; and, FIG. 8 is a bottom view of the firearm trigger. Broken lines in the Figures show boundaries or environmental structure. The broken lines are not part of the claimed design.

- (56) **References Cited**
U.S. PATENT DOCUMENTS
- 4,310,981 A 1/1982 Waddell
- 5,463,829 A 11/1995 Sprangers
- 5,881,485 A 3/1999 Milazzo
- 5,904,132 A 5/1999 Biller
- 6,131,324 A 10/2000 Jewell
- 6,615,527 B1 9/2003 Martin
- 6,722,072 B1 4/2004 McCormick

1 Claim, 5 Drawing Sheets



(56)

References Cited

U.S. PATENT DOCUMENTS

D659,790 S * 5/2012 Geissele D22/108
 8,572,880 B2 11/2013 Bender
 8,667,881 B1 3/2014 Hawbaker
 D716,404 S 10/2014 Capps et al.
 9,146,067 B2 * 9/2015 Stakes F41A 19/14
 D740,907 S * 10/2015 Oglesby D22/108
 D750,725 S 3/2016 Capps et al.
 D755,339 S 5/2016 Geissele
 D757,199 S 5/2016 Bender
 D764,004 S 8/2016 Bender
 2006/0101695 A1 5/2006 Longueira
 2008/0010889 A1 1/2008 Metzger et al.
 2009/0183414 A1 7/2009 Geissele
 2009/0266348 A1 * 10/2009 Yeh F41A 19/10
 124/31
 2010/0281739 A1 11/2010 Geissele
 2011/0185615 A1 * 8/2011 Gangl F41A 17/46
 42/69.01
 2013/0192116 A1 * 8/2013 Elftmann, Jr. F41A 19/10
 42/69.01
 2014/0075812 A1 3/2014 Johnson
 2014/0259845 A1 * 9/2014 Johnson F41A 19/09
 42/69.01
 2014/0366418 A1 * 12/2014 Stakes F41A 19/10
 42/69.03
 2015/0020426 A1 * 1/2015 Neergaard F41A 19/10
 42/69.01

2015/0153125 A1 * 6/2015 Lutton F41A 17/46
 42/69.01
 2015/0233662 A1 * 8/2015 Ruiz F41A 19/10
 42/69.03
 2015/0338182 A1 * 11/2015 Lipowski F41B 5/1469
 124/23.1
 2016/0131448 A1 5/2016 Bender

OTHER PUBLICATIONS

<http://www.compasslake.com/trigger.htm>, Jan. 26, 2012.
http://www.jp Rifles.com/1.4.8.1_ezt.php, Jan. 26, 2012.
<http://cmmginc.secure-mall.com/item/CMMG-Two-Stage-Trigger-1504>, Jan. 26, 2012.
<http://shopwilsoncombat.com/Tactical-Trigger-Unit-Single-Stage-Semi-Auto/productinfo/TR-TTU/?gclid=CP6b79SY8aYCFYQUKgodTRRBBg>, Jan. 26, 2012.
<http://www.midwayusa.com/product/709049/jewell-trigger-assembly-ar-15-small-pin-154-two-stage-matte>, Jan. 26, 2012.
http://www.jardinc.com/index.php?option=com_content&view=article&id=12:ar-le&catid=18:ar-15-single-stage&Itemid=6, Jan. 26, 2012.
 Schematic drawing, Gun Assy, BFG-50A, Serbu Firearms, Inc., Apr. 25, 2011, p. 1.
<http://www.snipershide.com/forum/ubbthreads.php?ubb=showthreaded&Number=501733>, Jan. 26, 2012.
<http://geissele.com/index.aspx>, Jan. 26, 2012.

* cited by examiner

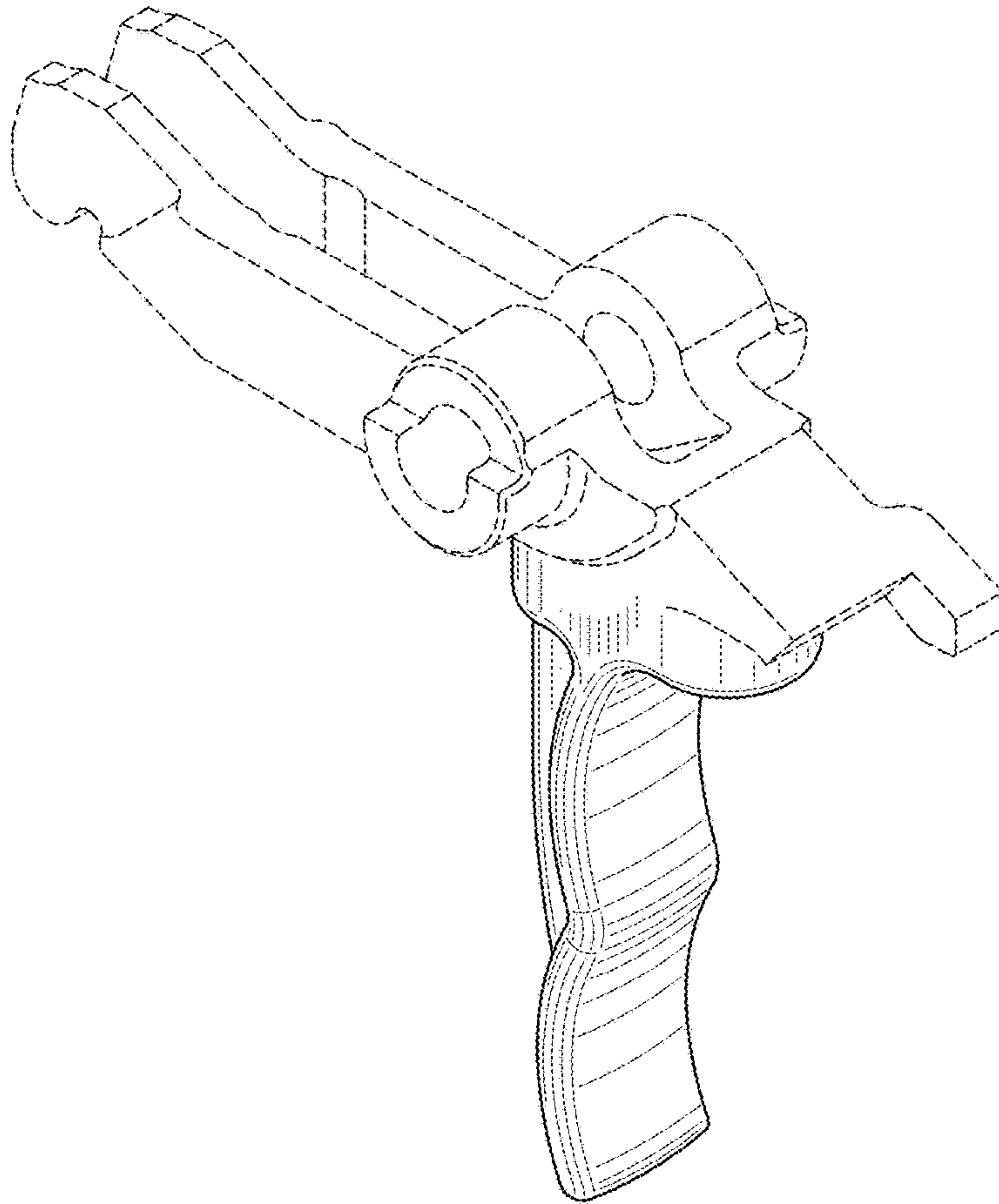


FIG. 1

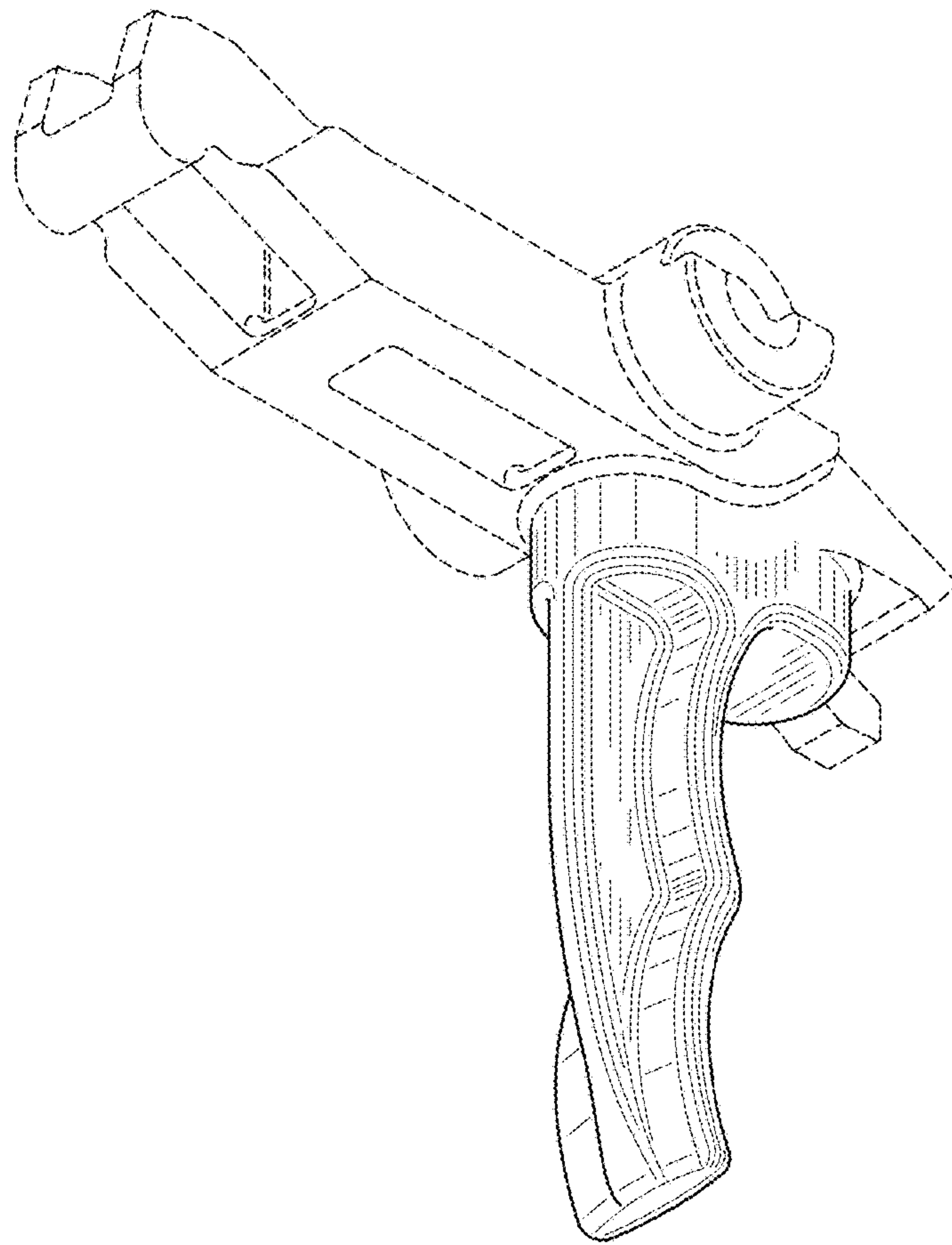


FIG. 2

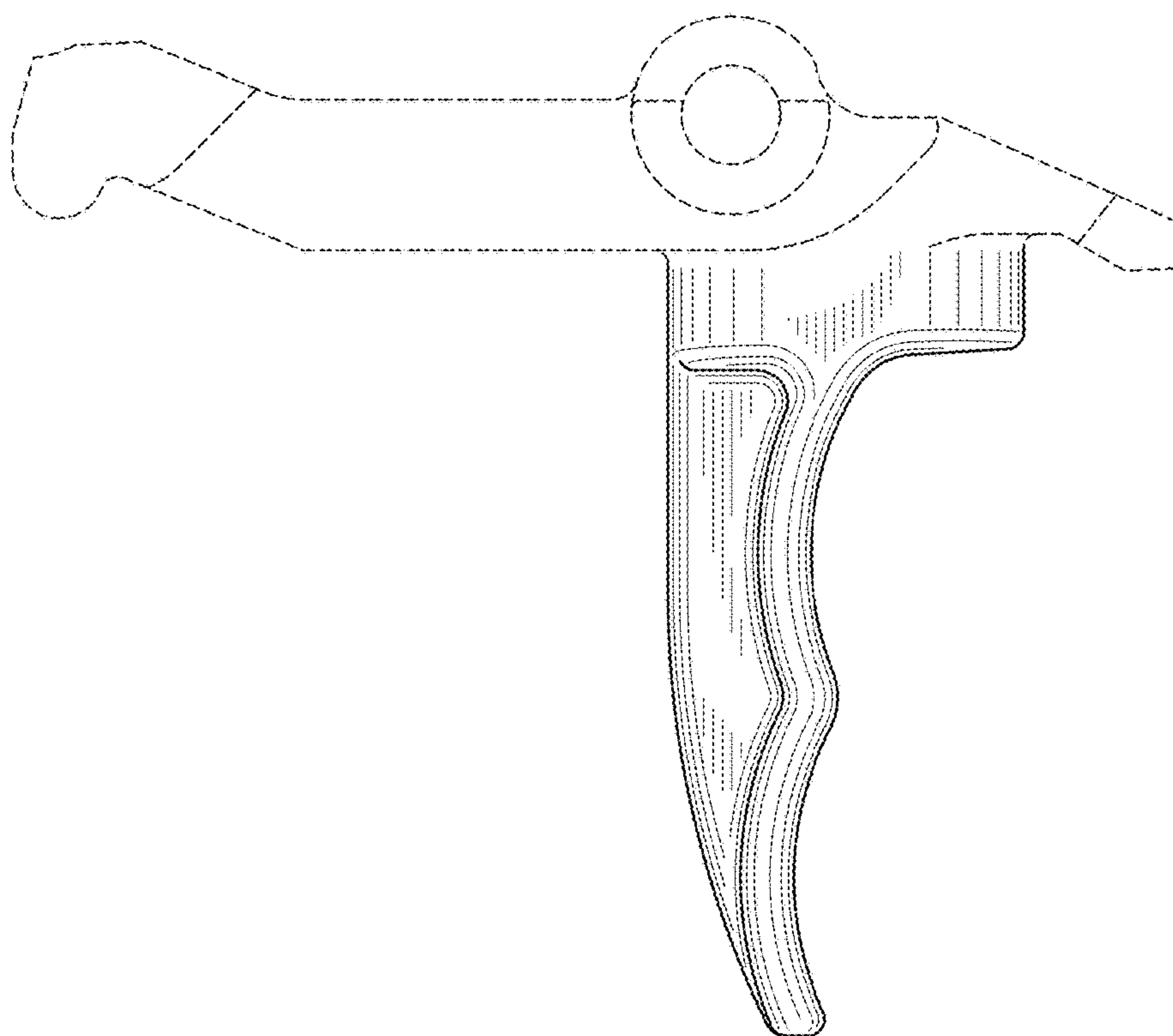


FIG. 3

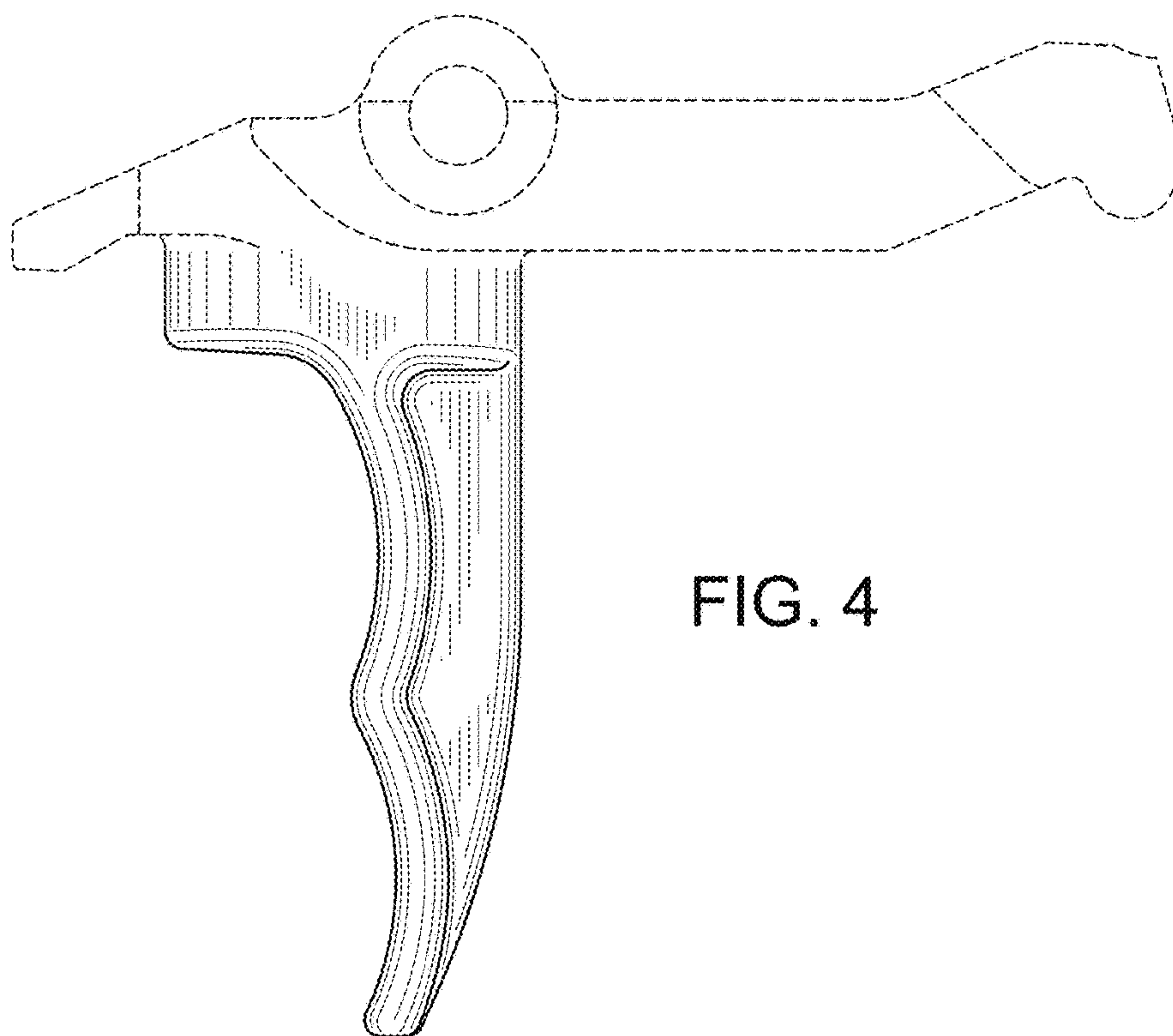


FIG. 4

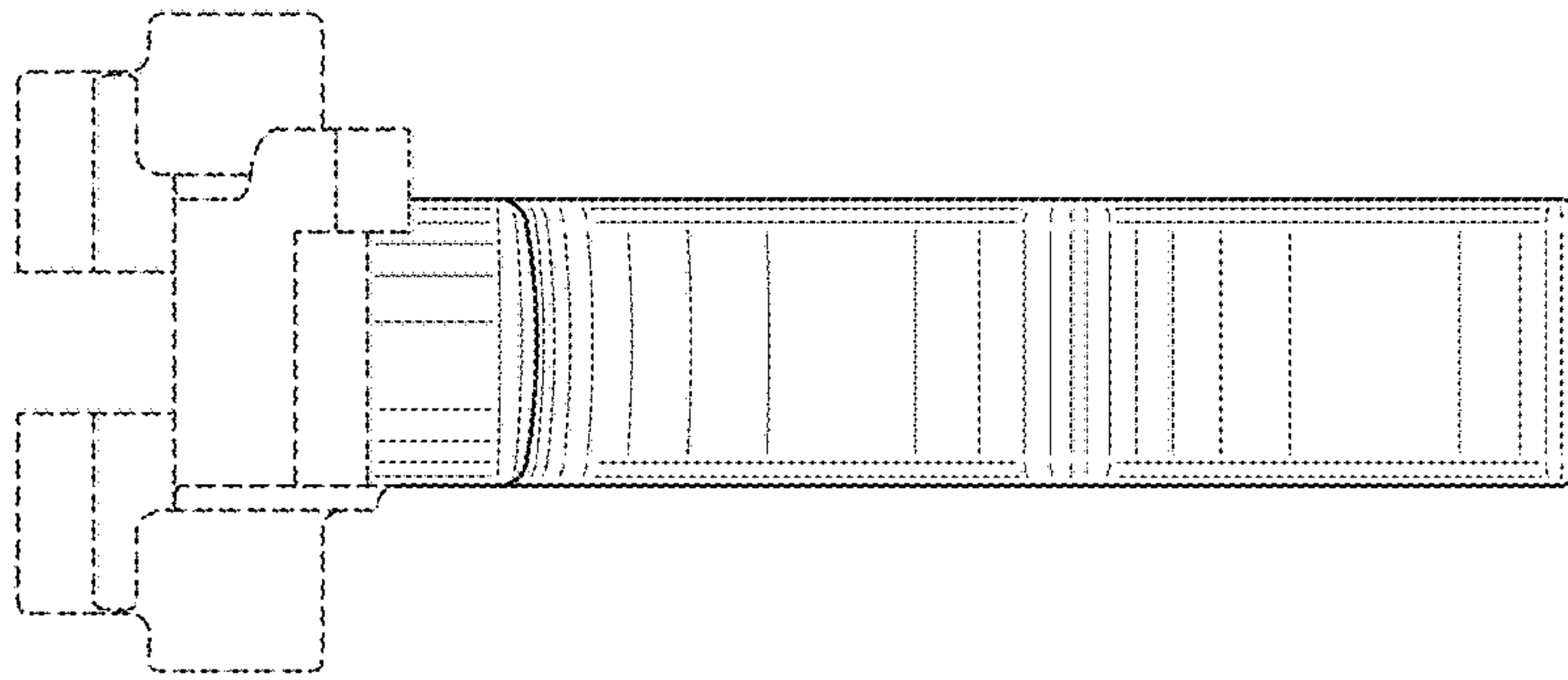


FIG. 6

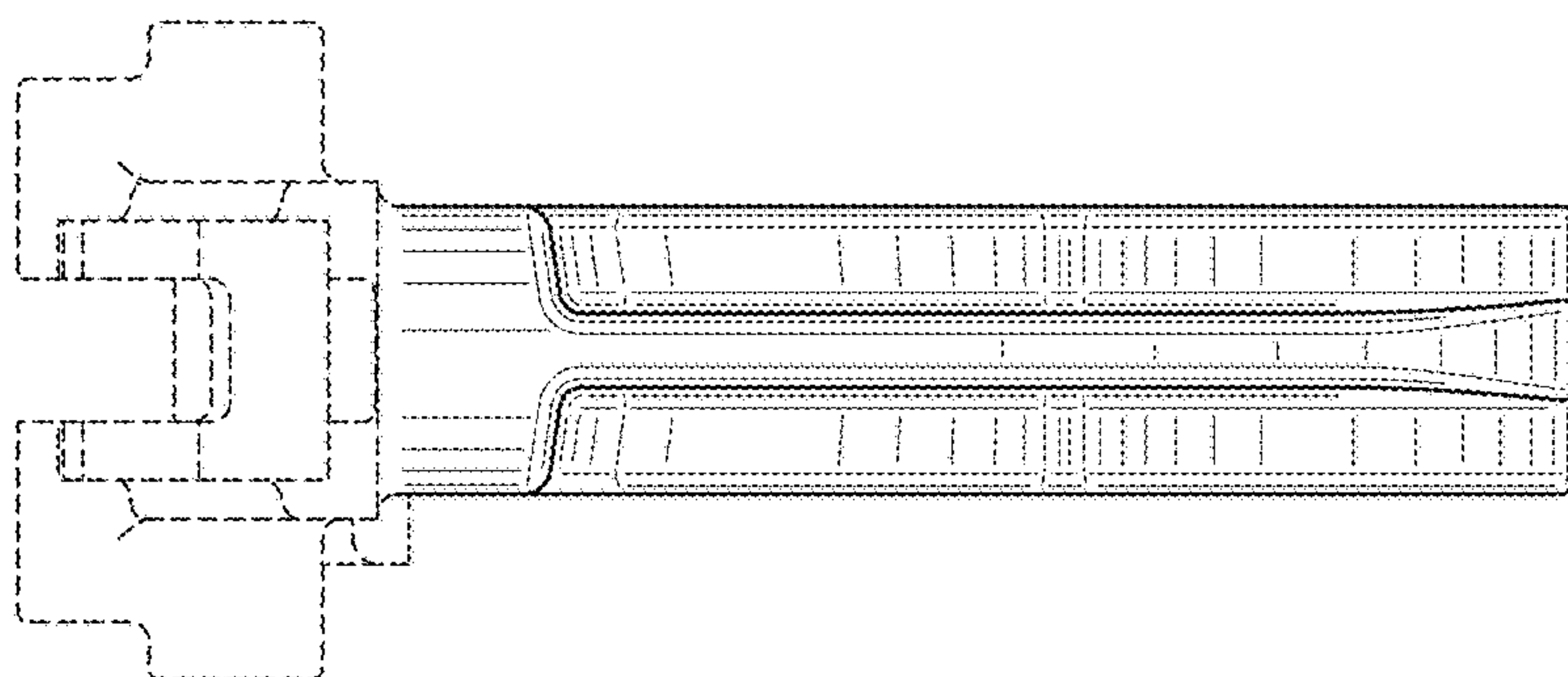


FIG. 5

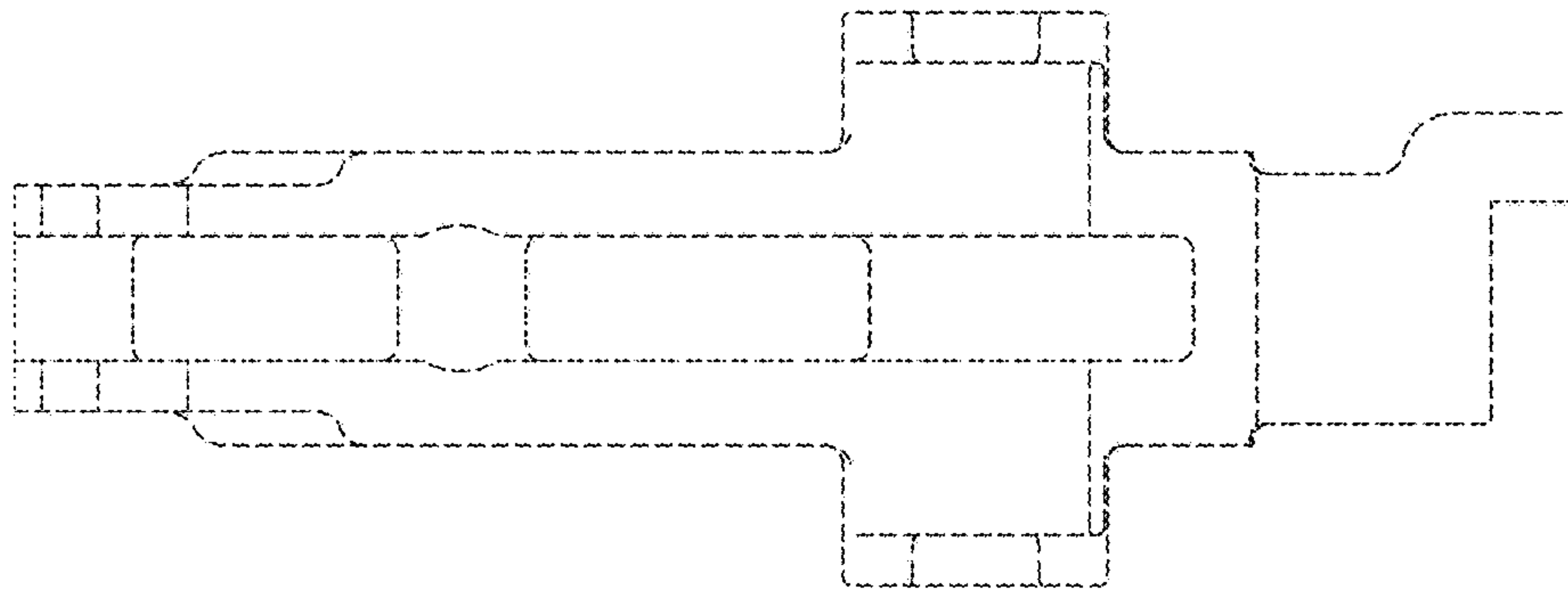


FIG. 7

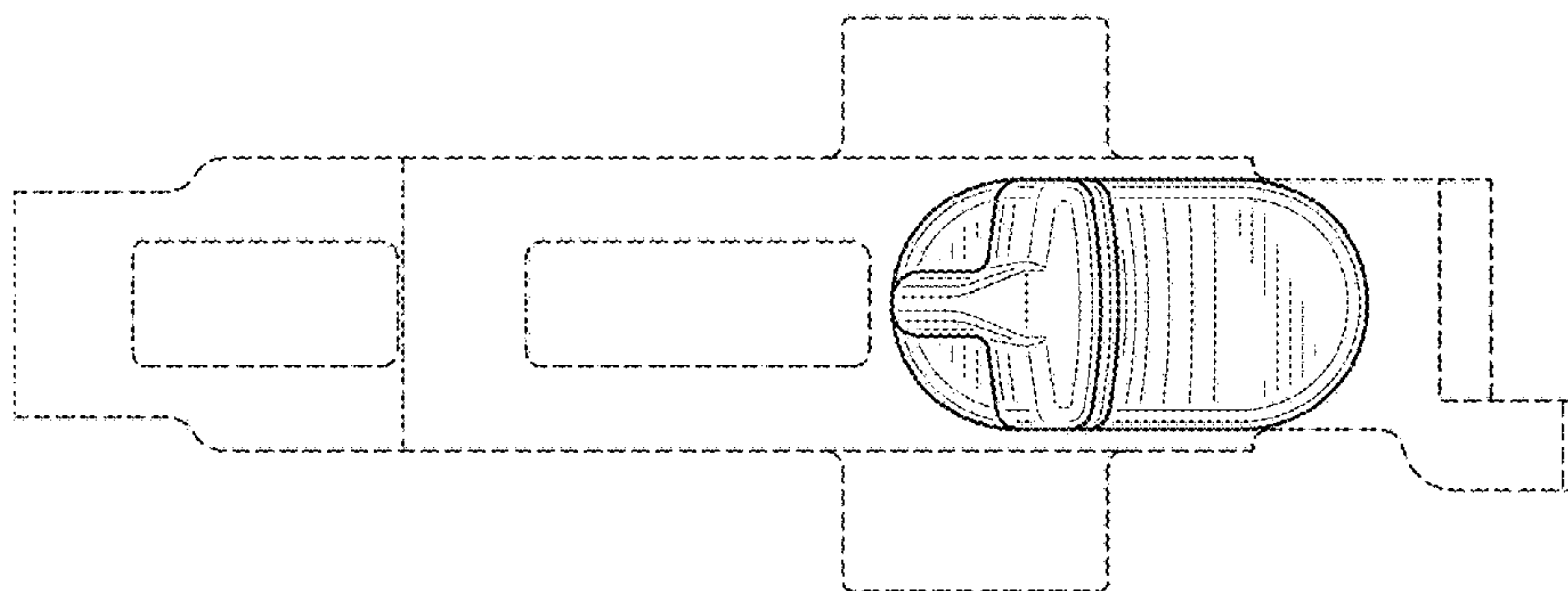


FIG. 8