



US00D835742S

(12) **United States Design Patent** (10) **Patent No.:** **US D835,742 S**
Altemus, Jr. (45) **Date of Patent:** **** Dec. 11, 2018**

(54) **BASEBALL BAT SWING EXERCISER**
(71) Applicant: **Armin Joseph Altemus, Jr.**, Riverside, CA (US)
(72) Inventor: **Armin Joseph Altemus, Jr.**, Riverside, CA (US)
(**) Term: **15 Years**
(21) Appl. No.: **29/628,777**
(22) Filed: **Dec. 7, 2017**

Related U.S. Application Data

(63) Continuation-in-part of application No. 29/536,004, filed on Aug. 12, 2015, now abandoned.

(51) **LOC (11) Cl.** **21-02**

(52) **U.S. Cl.**
USPC **D21/780**

(58) **Field of Classification Search**

USPC D21/309, 466, 662, 680, 686, 691, 698, D21/699, 719, 780, 787, 790, 791, 799.1; 473/423, 426, 429, 430, 451, 453, 476
CPC . A63B 69/00; A63B 69/0002; A63B 69/0079; A63B 69/0084; A63B 69/0091; A63B 69/201; A63B 69/205; A63B 69/3623; A63B 69/3655; A63B 69/38; A63B 2069/0004; A63B 2069/0008; A63B 2069/40; A63B 2069/401; A63B 2069/402; A63B 2069/404; A63B 71/023; A63B 2071/026; A63B 2102/18; A63B 21/08; A63B 43/00; A63B 43/002; A63B 43/007; A63B 65/06; A63B 65/12; A63B 67/10; A63B 67/16

See application file for complete search history.

(56) **References Cited**

U.S. PATENT DOCUMENTS

1,137,349 A 4/1915 Patterson
2,828,097 A 3/1958 Faunce

2,991,034 A 7/1961 Lyon
D192,432 S 3/1962 Haskett
3,462,156 A 8/1969 Gentry
3,525,523 A 8/1970 Bellagamba et al.
D222,908 S 2/1972 Voth
3,966,203 A 6/1976 Bickford
4,229,002 A 10/1980 Masters
5,318,291 A 6/1994 Levatino
5,398,665 A 3/1995 Carlson
D362,894 S 10/1995 Gasperoni
D366,679 S 1/1996 Clements
5,531,438 A 7/1996 Corley
5,957,788 A 9/1999 Eze
D431,061 S 9/2000 Solis
D486,544 S 2/2004 Featherston
D513,422 S 1/2006 Cottrell
7,048,638 B2 5/2006 Novotny
D576,231 S 9/2008 Rasmussen et al.

(Continued)

Primary Examiner — Catherine A Tuttle

(74) *Attorney, Agent, or Firm* — Kirk A. Buhler; Buhler & Associates

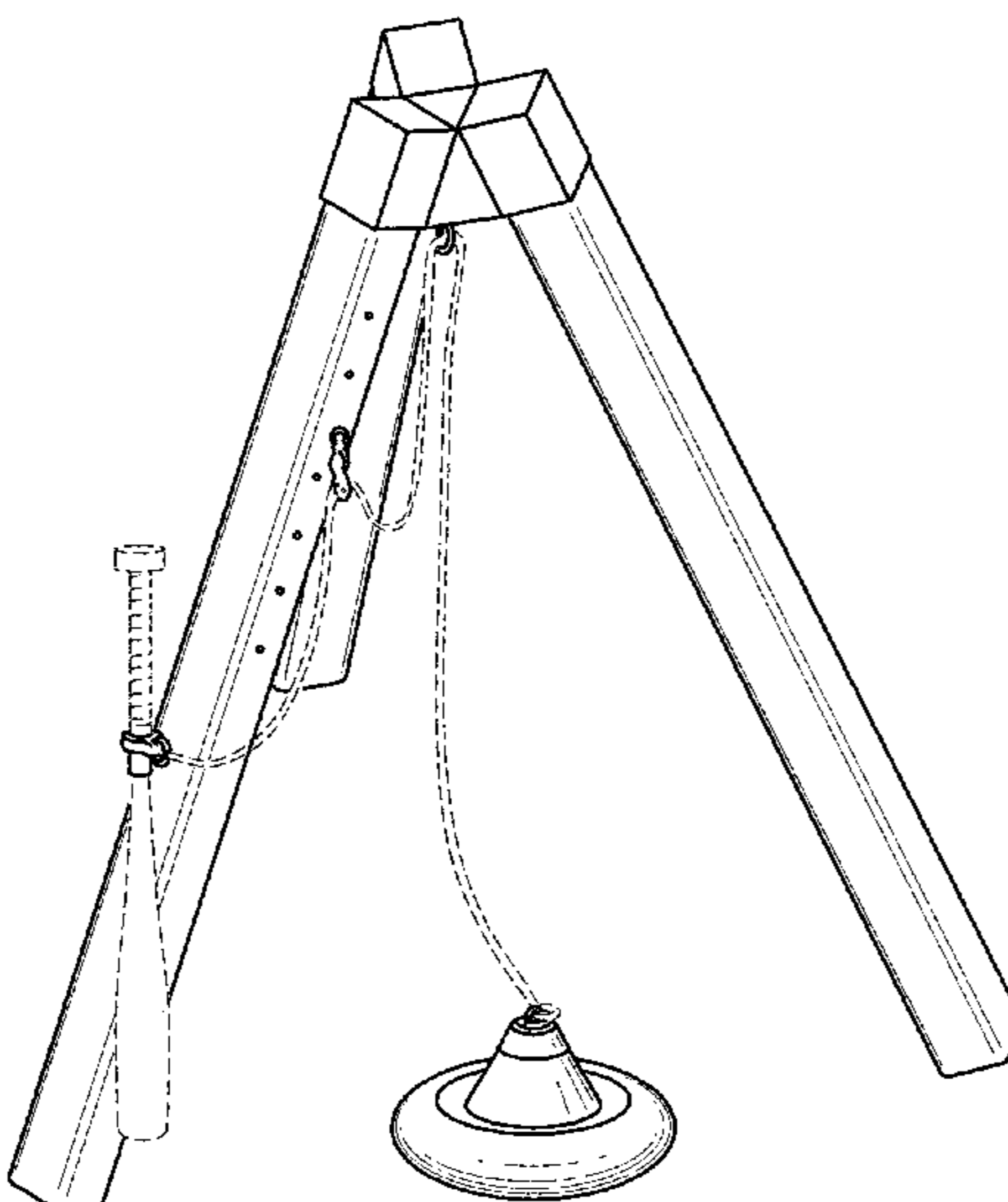
(57) **CLAIM**

The ornamental design for a baseball bat swing exerciser, as shown and described.

DESCRIPTION

FIG. 1 is a top perspective view of a baseball bat swing exerciser showing my new design; FIG. 2 is a front elevation view thereof; FIG. 3 is a rear elevation view thereof; FIG. 4 is a left side elevation view thereof; FIG. 5 is a right-side elevation view thereof; FIG. 6 is a bottom view thereof; and, FIG. 7 is a top plan view thereof. The broken lines in FIGS. 1-7 are included for the purposes of illustrating the portions of the baseball bat swing exerciser that form no part of the claimed design.

1 Claim, 7 Drawing Sheets



(56)

References Cited

U.S. PATENT DOCUMENTS

7,547,260	B2	6/2009	Mooney	
8,512,171	B1	8/2013	Minotti	
8,876,671	B1	11/2014	Hurtato, Jr.	
D813,336	S *	3/2018	Altemus	D21/791
2004/0063509	A1	4/2004	Shioda	
2006/0199673	A1	9/2006	Littlejohn	
2006/0223657	A1	10/2006	Flanigan	
2013/0157785	A1	6/2013	Connors	
2014/0221172	A1*	8/2014	Siklosi	A63B 69/004 482/90

* cited by examiner

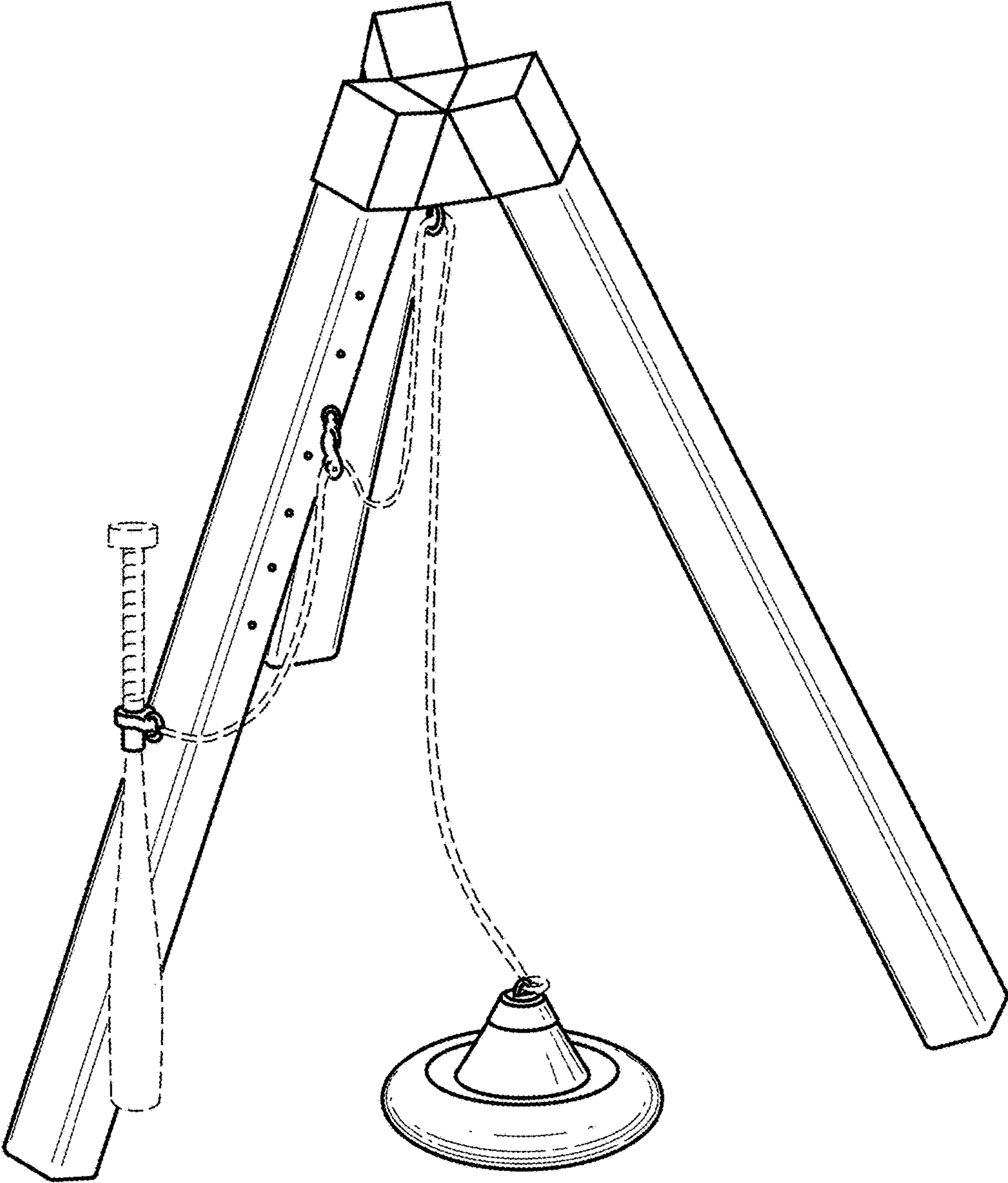


FIG 1

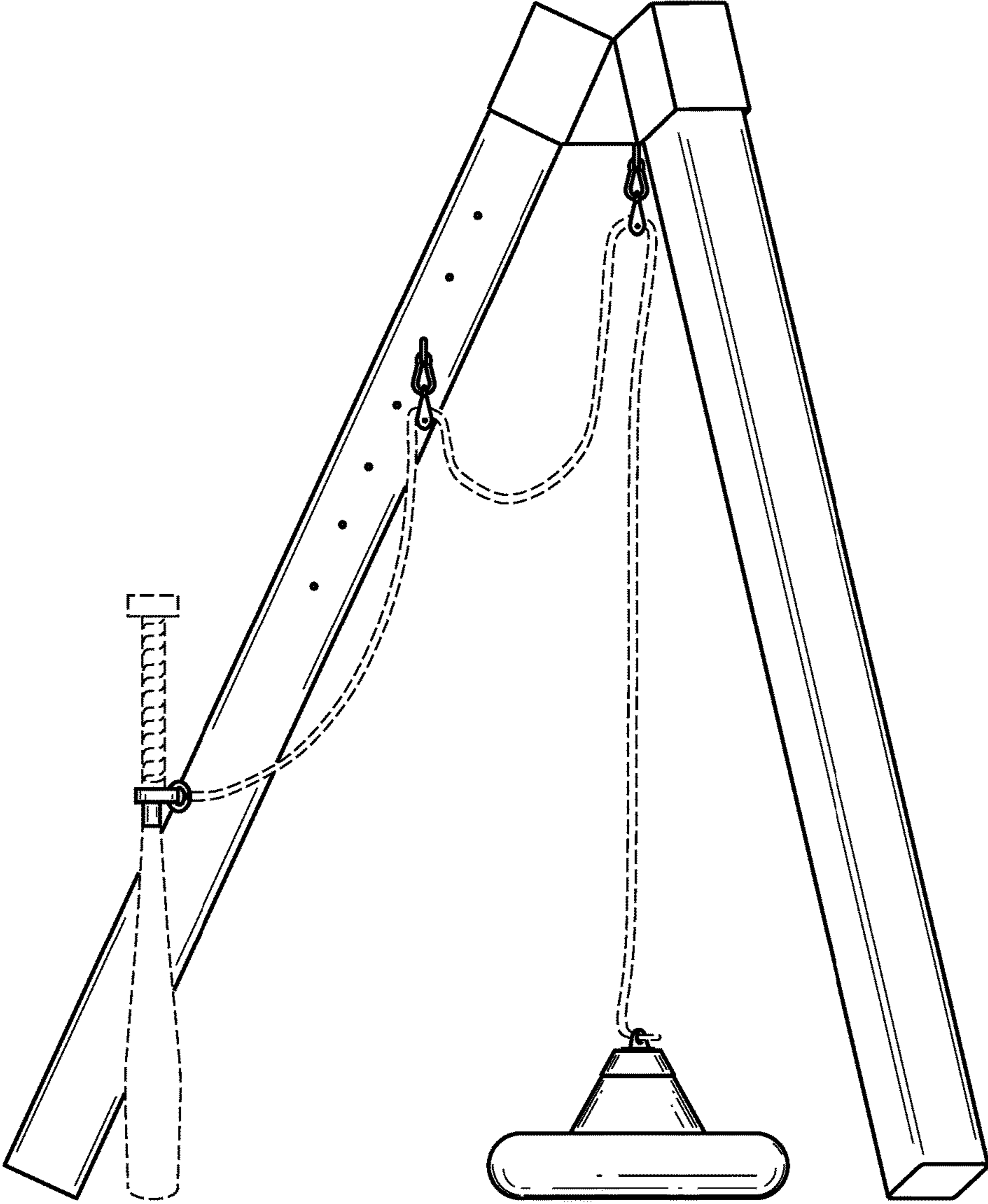


FIG. 2

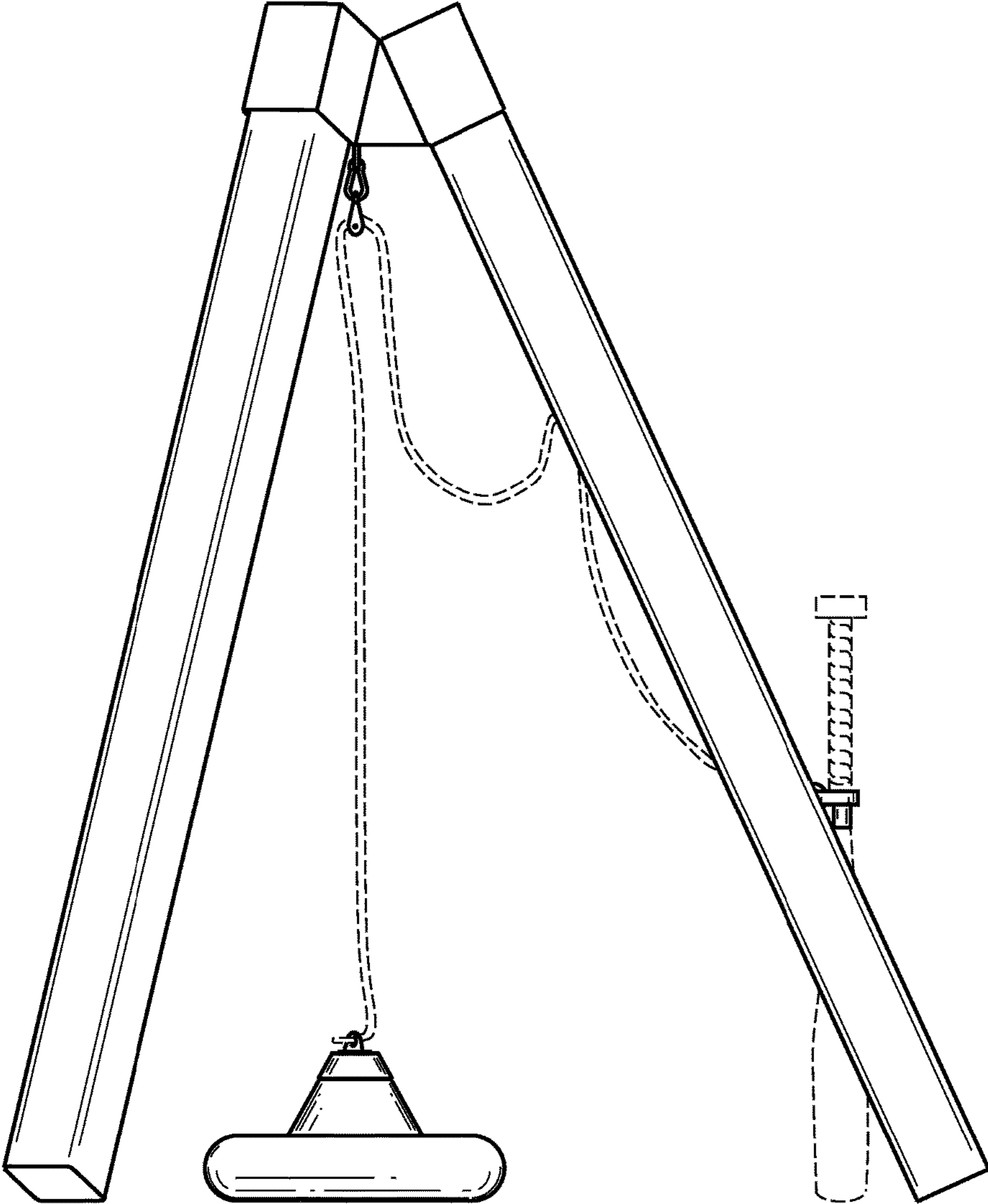


FIG. 3

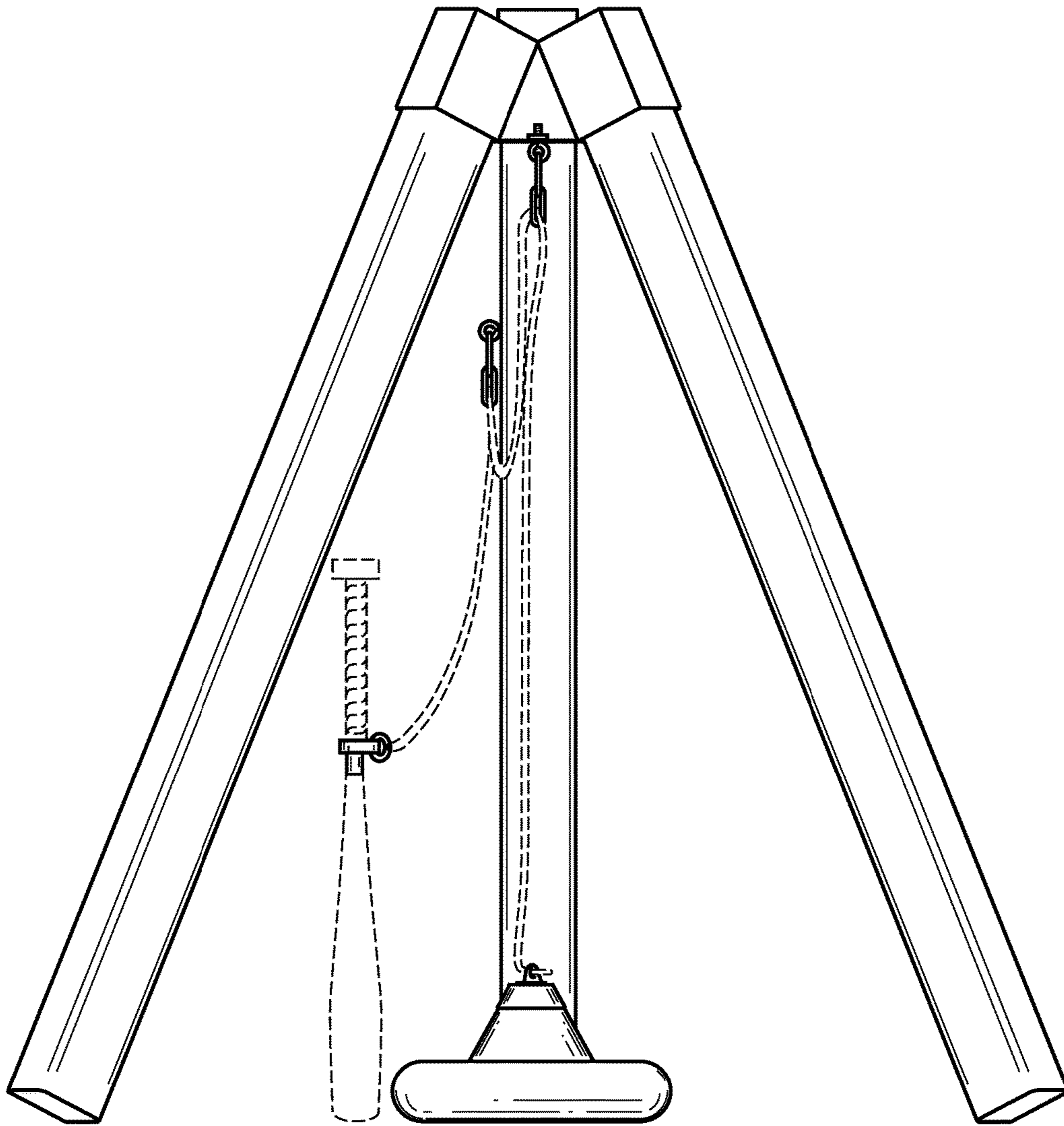


FIG. 4

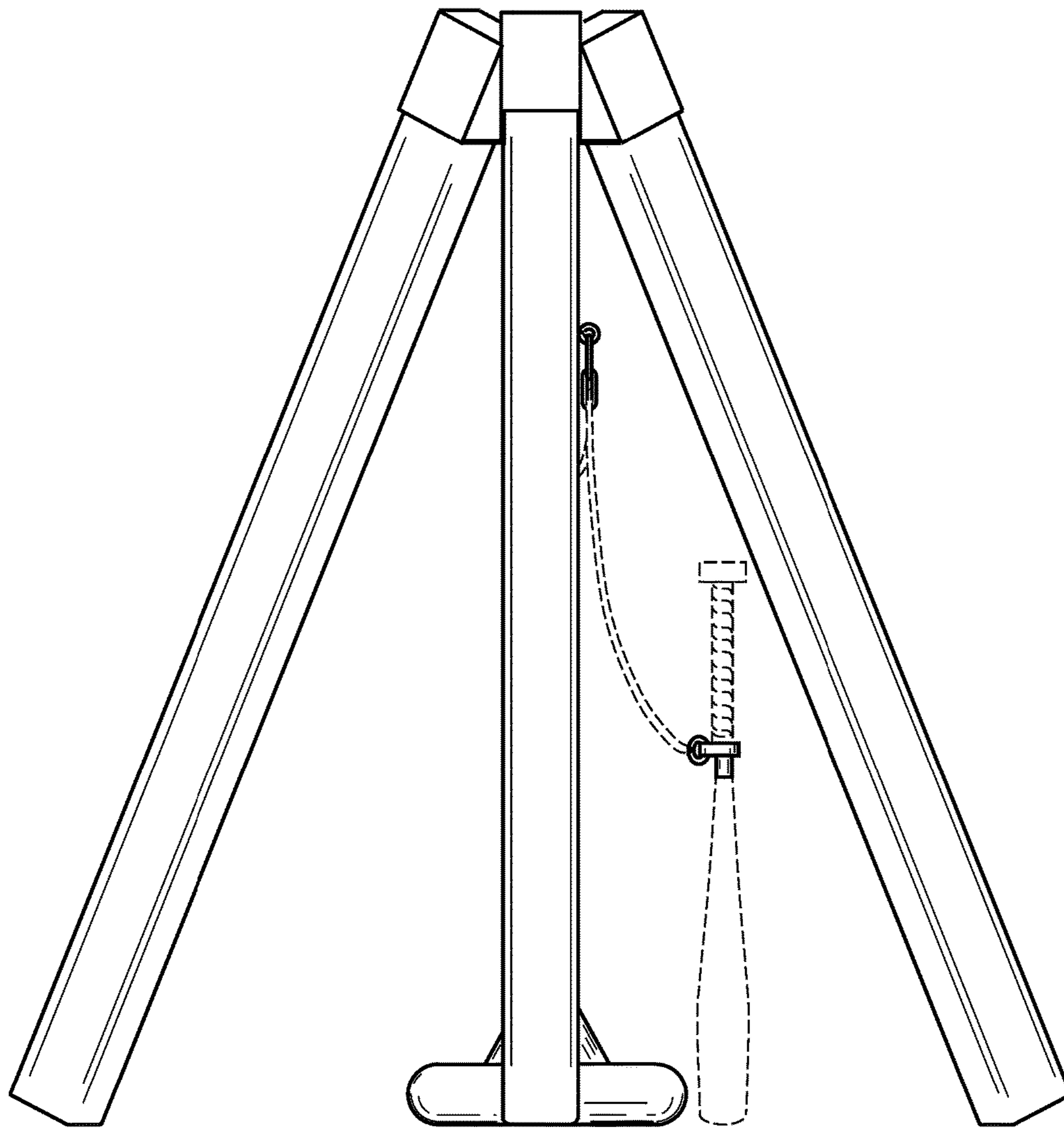


FIG. 5

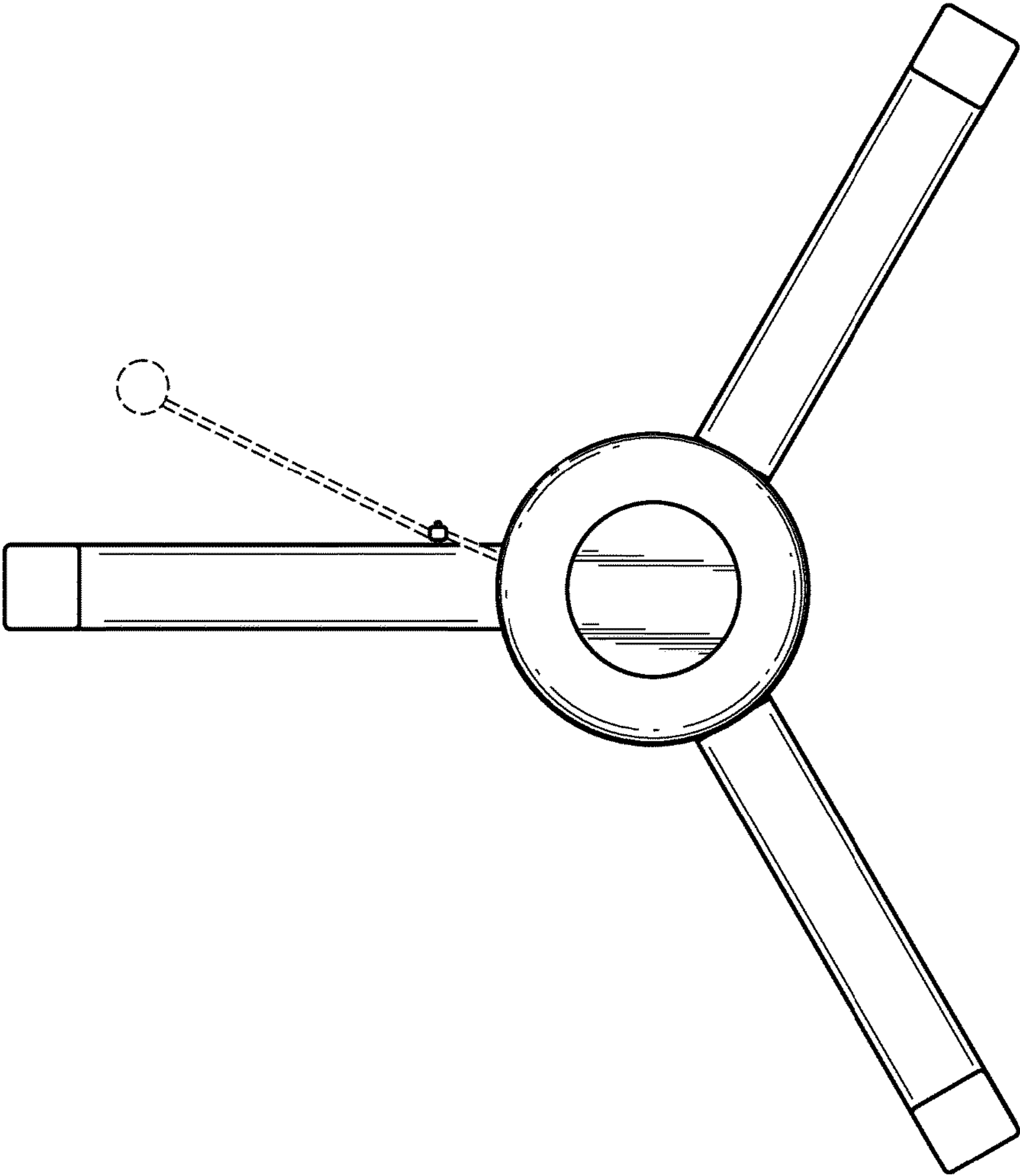


FIG. 6

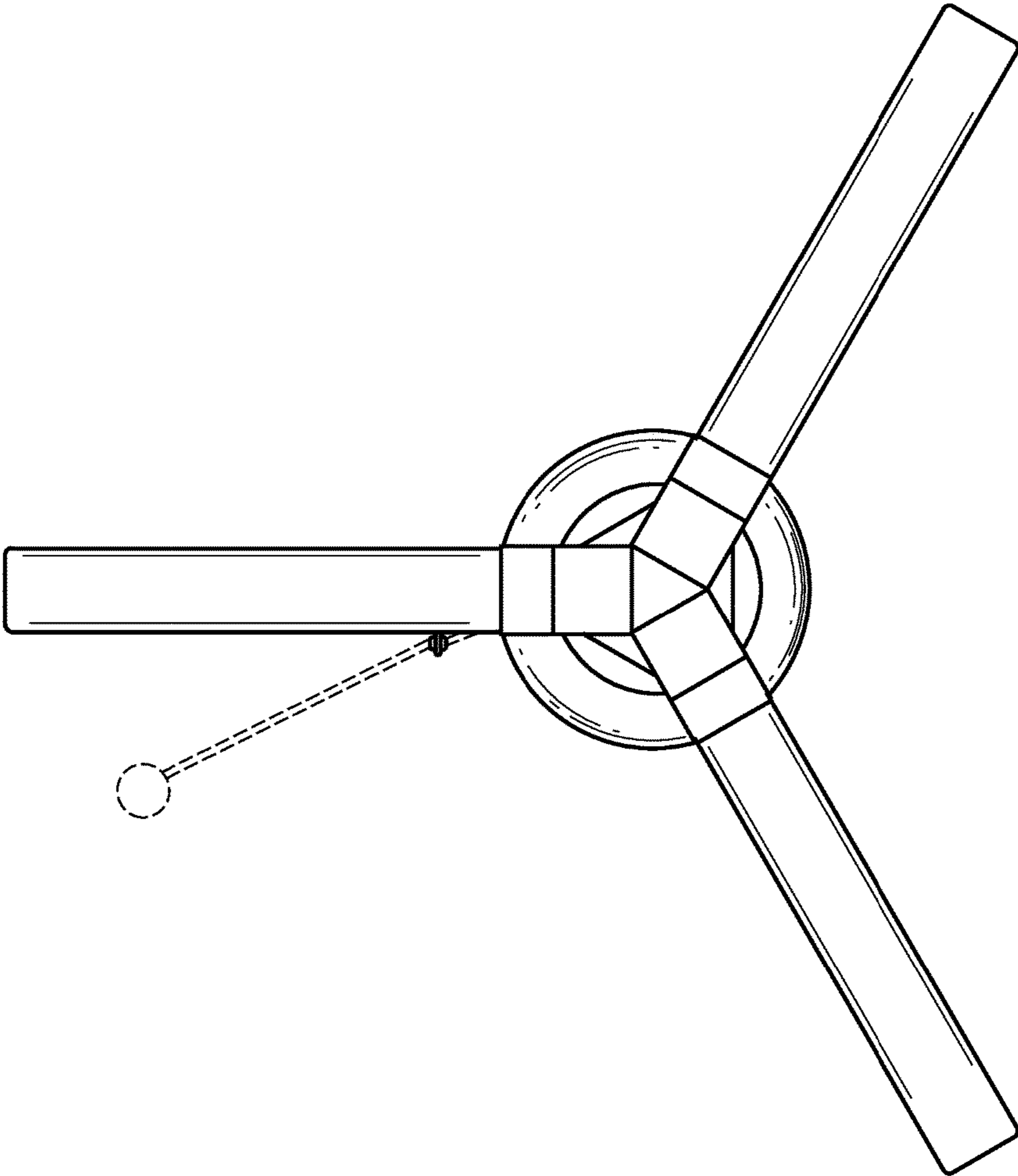


FIG 7