



US00D835741S

(12) **United States Design Patent** (10) **Patent No.:** **US D835,741 S**
Merz (45) **Date of Patent:** **** Dec. 11, 2018**

(54) **MOTORIZED SKATEBOARD WHEEL WITH HEAT SINK FINS**

(71) Applicant: **Evan J. Merz**, Los Angeles, CA (US)

(72) Inventor: **Evan J. Merz**, Los Angeles, CA (US)

(**) Term: **15 Years**

(21) Appl. No.: **29/587,480**

(22) Filed: **Dec. 13, 2016**

(51) **LOC (11) Cl.** **21-02**

(52) **U.S. Cl.**
USPC **D21/779**; D21/765; D21/563

(58) **Field of Classification Search**
USPC D12/500; D21/563, 765, 779
CPC . B62K 3/002; B62K 9/00; B62K 9/02; B62K 13/00; B62K 2202/00

See application file for complete search history.

(56) **References Cited**

U.S. PATENT DOCUMENTS

D261,406 S *	10/1981	Corbin	D21/779
D398,692 S *	9/1998	Wilson	D12/501
D458,564 S *	6/2002	Lin	D12/114
D530,757 S *	10/2006	Jones	D21/563
D534,968 S *	1/2007	Proch	D21/563
D549,788 S *	8/2007	Parsey	D21/563
D658,256 S	4/2012	Trevena et al.		
D676,916 S *	2/2013	Reeves	D21/779
D685,048 S *	6/2013	Alexander	D21/779
D717,383 S	11/2014	Nay		
D721,149 S *	1/2015	Piper	D21/779
D730,468 S *	5/2015	Nay	D21/779

D750,187 S	2/2016	Fissell		
D751,160 S *	3/2016	Tian	D21/765
D757,873 S *	5/2016	Nay	D21/779
D785,739 S *	5/2017	Nay	D21/779
D795,375 S *	8/2017	Xingrui	D21/423
2013/0233632 A1 *	9/2013	Kim	B62M 7/12 180/220

2016/0261731 A1 9/2016 Doolin

* cited by examiner

Primary Examiner — Robin V Webster

Assistant Examiner — Keith J Wilson

(74) *Attorney, Agent, or Firm* — Scott H. Davison;
Musick Davison LLP

(57) **CLAIM**

The ornamental design for a motorized skateboard wheel with heat sink fins, as shown and described.

DESCRIPTION

FIG. 1 is an upper right perspective view of a motorized skateboard wheel with heat sinks of the present invention; FIG. 2 is a lower perspective view thereof attached to an exemplary skateboard;

FIG. 3 is an upper left perspective view thereof.

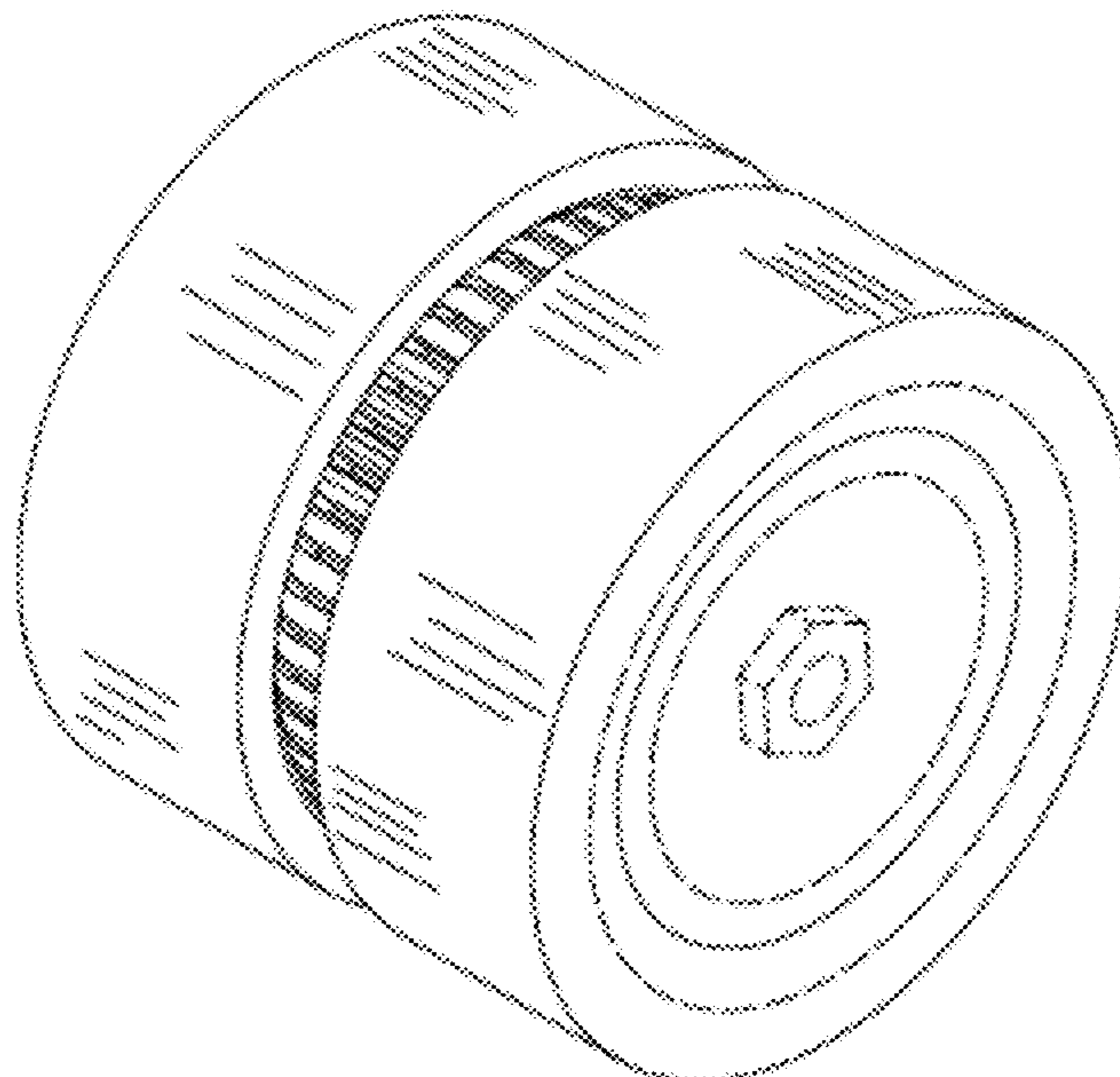
FIG. 4 is a front side view thereof with heat sink fins shown, of which the rear side view, top side view and bottom side view are the same;

FIG. 5 is a left side view of thereof; and,

FIG. 6 is a right side view thereof.

The broken lines shown are included for the purpose of illustrating the environment in which the article resides and form no part of the claimed design.

1 Claim, 6 Drawing Sheets



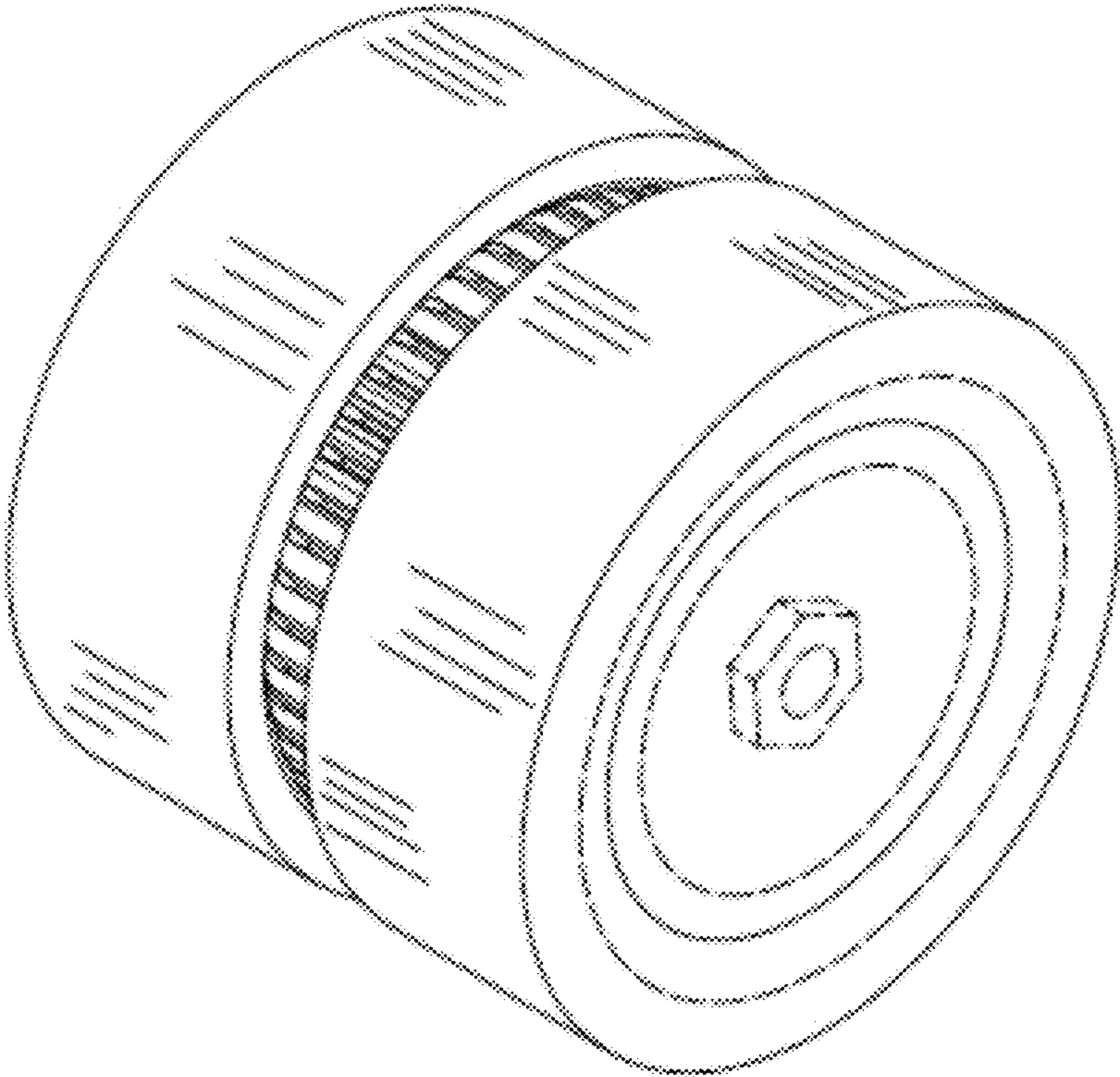


FIG. 1

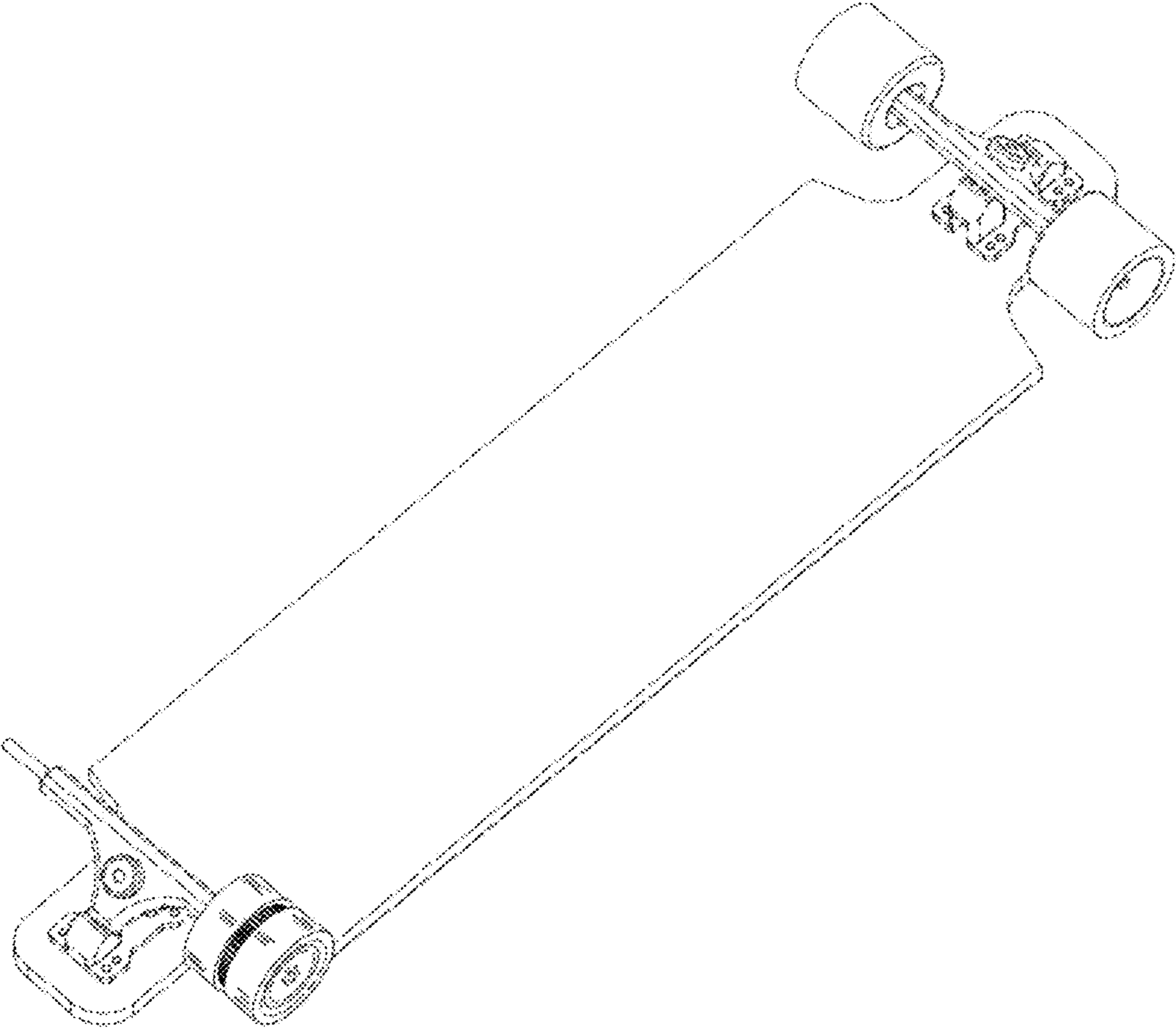


FIG. 2

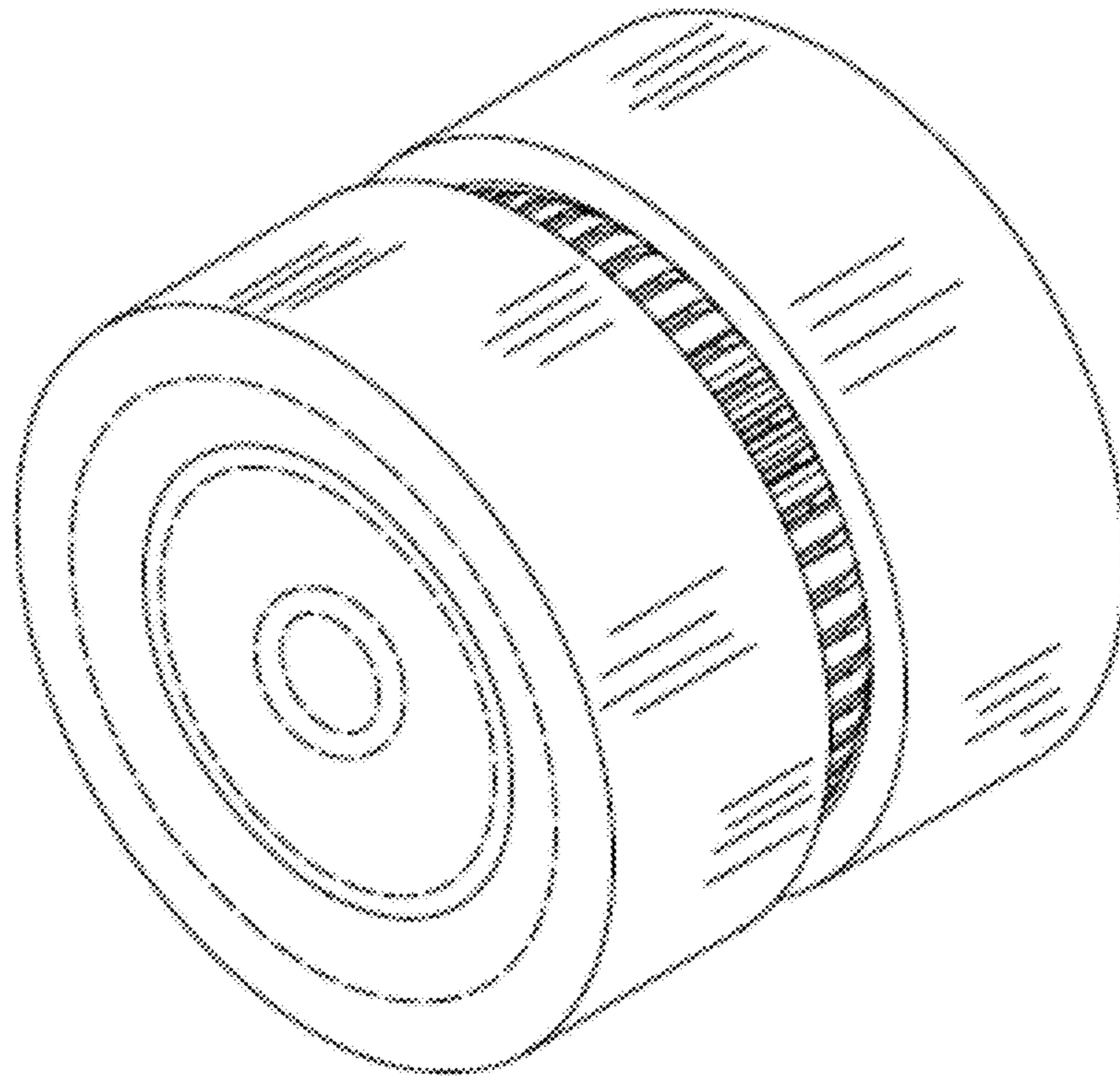


FIG. 3

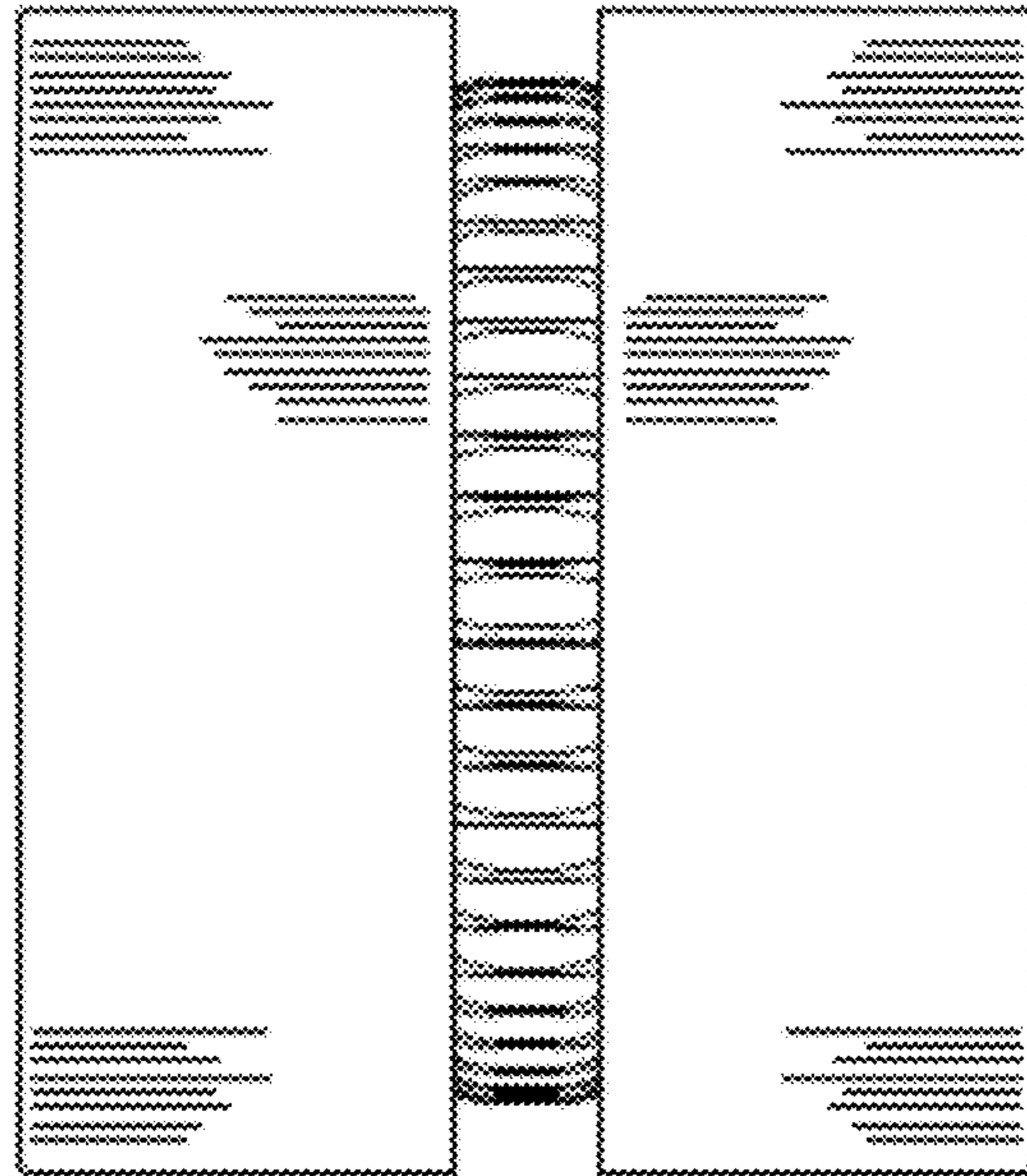


FIG. 4

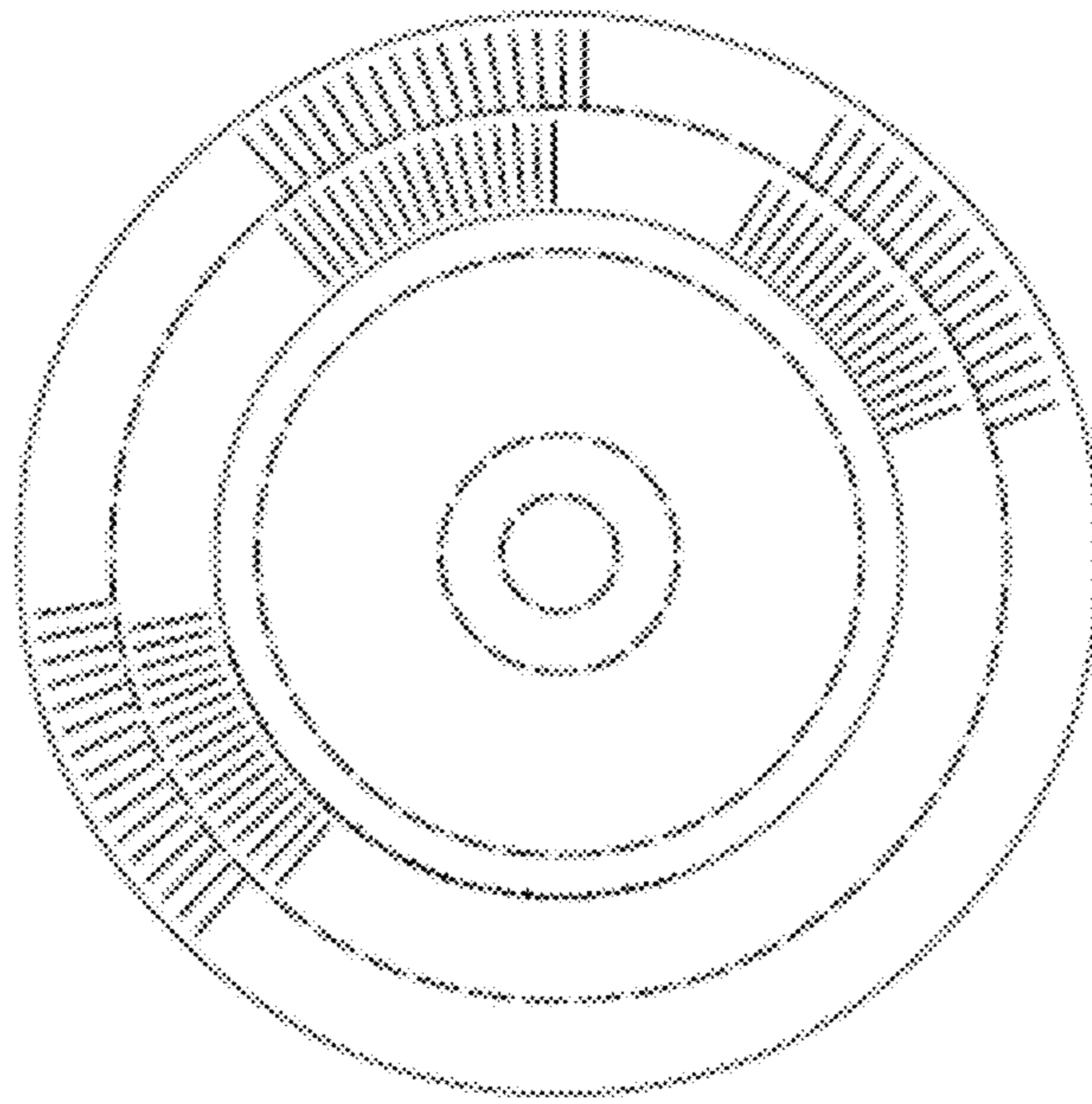


FIG. 5

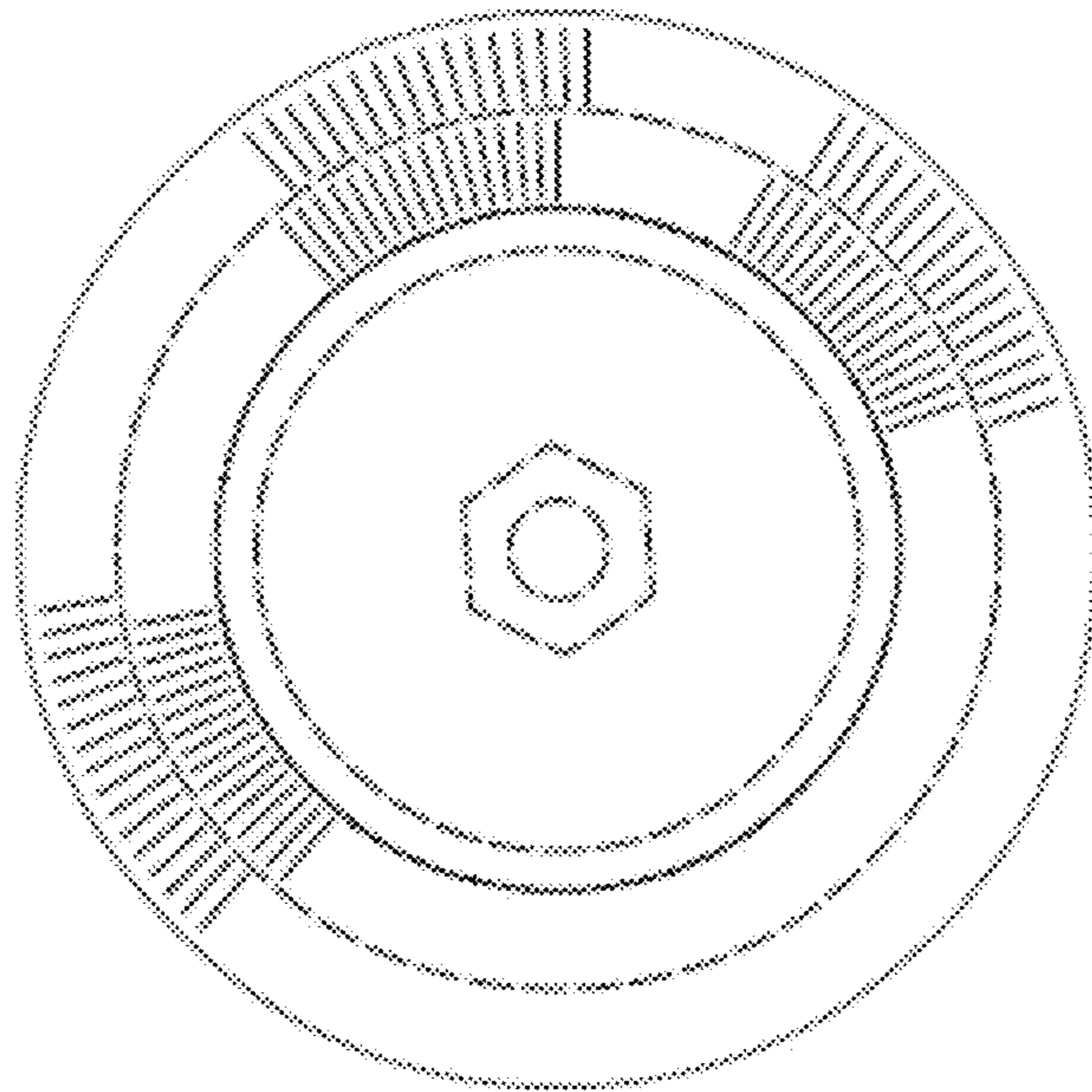


FIG. 6