



US00D835738S

(12) **United States Design Patent**
Serrano et al.

(10) **Patent No.: US D835,738 S**

(45) **Date of Patent: ** Dec. 11, 2018**

(54) **GOLF CLUB GRIP**

(71) Applicant: **KARSTEN MANUFACTURING CORPORATION**, Phoenix, AZ (US)

(72) Inventors: **Anthony D. Serrano**, Anthem, AZ (US); **Xiaojian Chen**, Phoenix, AZ (US); **Martin R. Jertson**, Cave Creek, AZ (US); **Jacob T. Clarke**, Phoenix, AZ (US)

(73) Assignee: **Karsten Manufacutring Corporation**, Phoenix, AZ (US)

(**) Term: **15 Years**

(21) Appl. No.: **29/611,906**

(22) Filed: **Jul. 26, 2017**

(51) **LOC (11) Cl.** **21-02**

(52) **U.S. Cl.**
USPC **D21/756**

(58) **Field of Classification Search**
USPC D21/756-758
CPC A63B 60/06-60/34; A63B 60/00; A63B 60/46; A63B 59/20; A63B 59/40; A63B 59/60-59/80; A63B 49/00-49/14; A63B 53/00-53/14

See application file for complete search history.

(56) **References Cited**

U.S. PATENT DOCUMENTS

1,677,099	A *	7/1928	Harness	A63B 60/00
					473/201
D221,345	S *	8/1971	Dworak	D21/756
D221,645	S	8/1971	Dworak		
D228,198	S *	8/1973	Spenser	D21/756
D254,926	S	5/1980	Solheim		
D257,784	S	1/1981	Forys		
D281,991	S	12/1985	Solheim		
D287,527	S	12/1986	Solheim		

4,629,191	A	12/1986	Mancuso		
D290,730	S	7/1987	Solheim		
D295,207	S *	4/1988	Mahaffey	D21/756
D307,169	S	4/1990	Aldridge		
D315,006	S	2/1991	Solheim		
D321,546	S	11/1991	DeLuca		
D322,637	S	12/1991	Aldridge		
D333,333	S	2/1993	Solheim		
D345,192	S *	3/1994	Solheim	D21/756
D355,444	S *	2/1995	Deluca	D21/756
D357,295	S	4/1995	Solheim		
D359,786	S	6/1995	Cormier		
D362,891	S	10/1995	Solheim		
5,460,372	A	10/1995	Cook		
D366,920	S	2/1996	DeLuca		
5,547,189	A	8/1996	Billings		
5,575,724	A	11/1996	Hannon		
D376,400	S	12/1996	Nakazaki		

(Continued)

FOREIGN PATENT DOCUMENTS

JP	1536568	S	11/2015
JP	1540831	S	4/2016

Primary Examiner — Mitchell I. Siegel

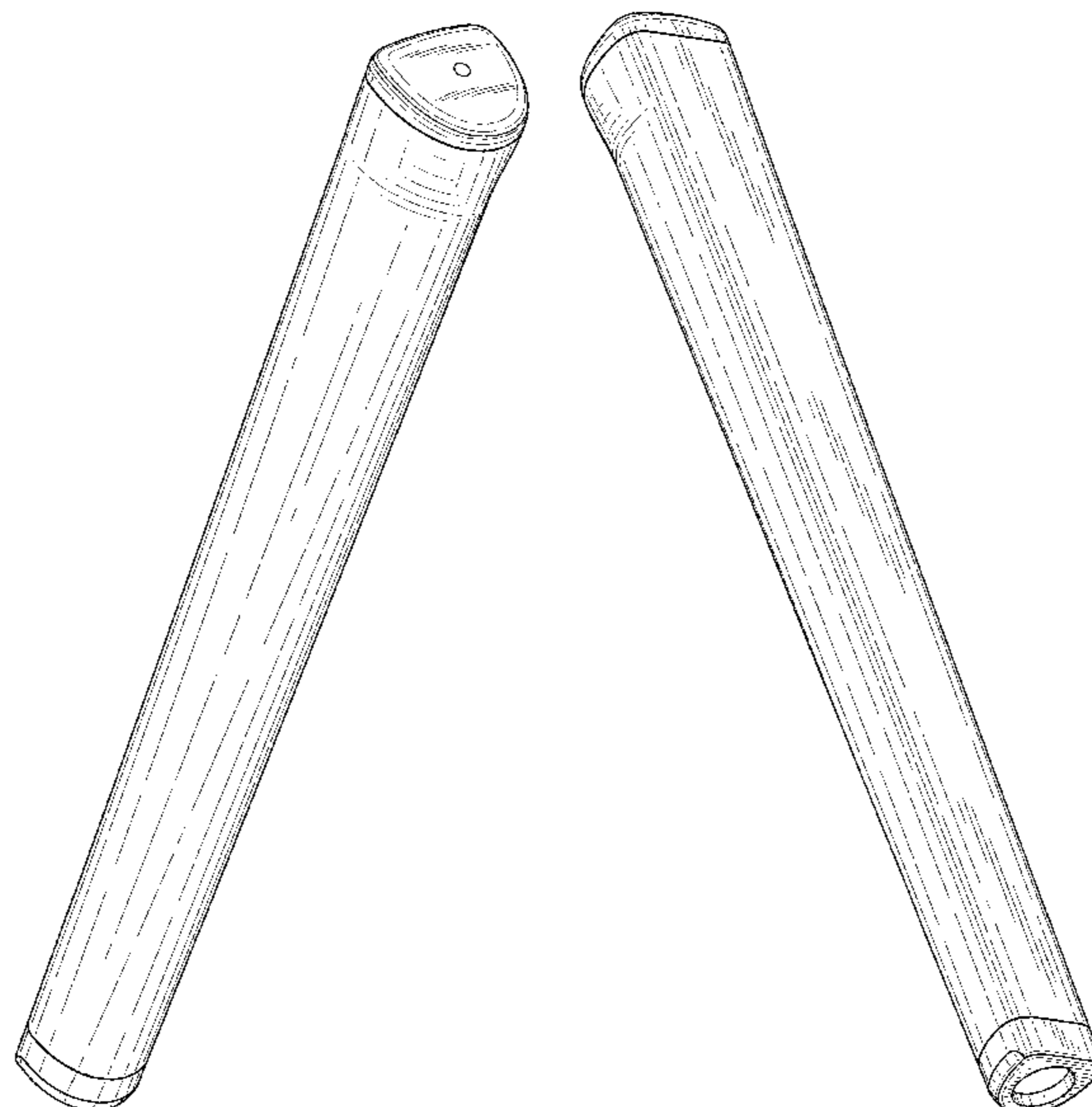
(57) **CLAIM**

The ornamental design for a golf club grip, as shown and described.

DESCRIPTION

FIG. 1 is a front perspective view of a golf club grip; FIG. 2 is a rear perspective view of the golf club grip of FIG. 1; FIG. 3 is a rear view of the golf club grip of FIG. 1; FIG. 4 is a front view of the golf club grip of FIG. 1; FIG. 5 is a top view of the golf club grip of FIG. 1; FIG. 6 is a bottom view of the golf club grip of FIG. 1; FIG. 7 is a side view of the golf club grip of FIG. 1; and, FIG. 8 is an opposite side view of the golf club grip of FIG. 1.

1 Claim, 5 Drawing Sheets



(56)

References Cited

U.S. PATENT DOCUMENTS

D391,330 S 2/1998 Solheim
 D399,282 S 10/1998 Jarrett
 D399,901 S 10/1998 Beyer
 D414,233 S 9/1999 Anderson
 D424,147 S 5/2000 Vela
 D431,851 S 10/2000 Anderson
 6,626,768 B2* 9/2003 Roelke A63B 53/14
 473/296
 6,723,001 B2 4/2004 Ferris
 6,758,762 B2 7/2004 Markwood
 D494,650 S 8/2004 Petersen
 D512,758 S 12/2005 Tuerschmann
 D524,390 S 7/2006 Tuerschmann
 D531,243 S 10/2006 Davis
 D534,603 S 1/2007 Norton
 D534,604 S 1/2007 Norton
 D534,605 S 1/2007 Norton
 D545,388 S 6/2007 Chen
 D548,808 S 8/2007 Chen
 D554,212 S 10/2007 Nunez
 D556,847 S 12/2007 DeVaney
 7,331,876 B2 2/2008 Klein
 D576,240 S 9/2008 Chen

D576,241 S 9/2008 Chen
 D581,001 S 11/2008 Chen
 D581,002 S 11/2008 Chen
 D588,218 S 3/2009 Chen
 D590,465 S 4/2009 Chen
 D599,871 S 9/2009 Jertson
 D616,516 S 5/2010 Chen
 D631,118 S 1/2011 Chen
 D634,803 S 3/2011 Chen
 D638,503 S 5/2011 Lidenberg
 D638,504 S 5/2011 Lidenberg
 D654,973 S* 2/2012 Marshall D21/756
 D675,271 S 1/2013 Solheim
 D711,991 S 8/2014 LaCledé
 D717,894 S* 11/2014 Dingman D21/756
 D725,731 S* 3/2015 Larson D21/756
 D726,267 S 4/2015 Bacon et al.
 9,005,045 B2 4/2015 Dingman et al.
 D728,717 S* 5/2015 Cokewell D21/756
 D733,236 S 6/2015 Serrano et al.
 D733,237 S* 6/2015 Serrano D21/756
 D738,973 S* 9/2015 Dingman D21/756
 9,463,363 B2 10/2016 Dingman et al.
 D774,612 S* 12/2016 Dingman D21/756
 D796,609 S* 9/2017 Serrano D21/756

* cited by examiner

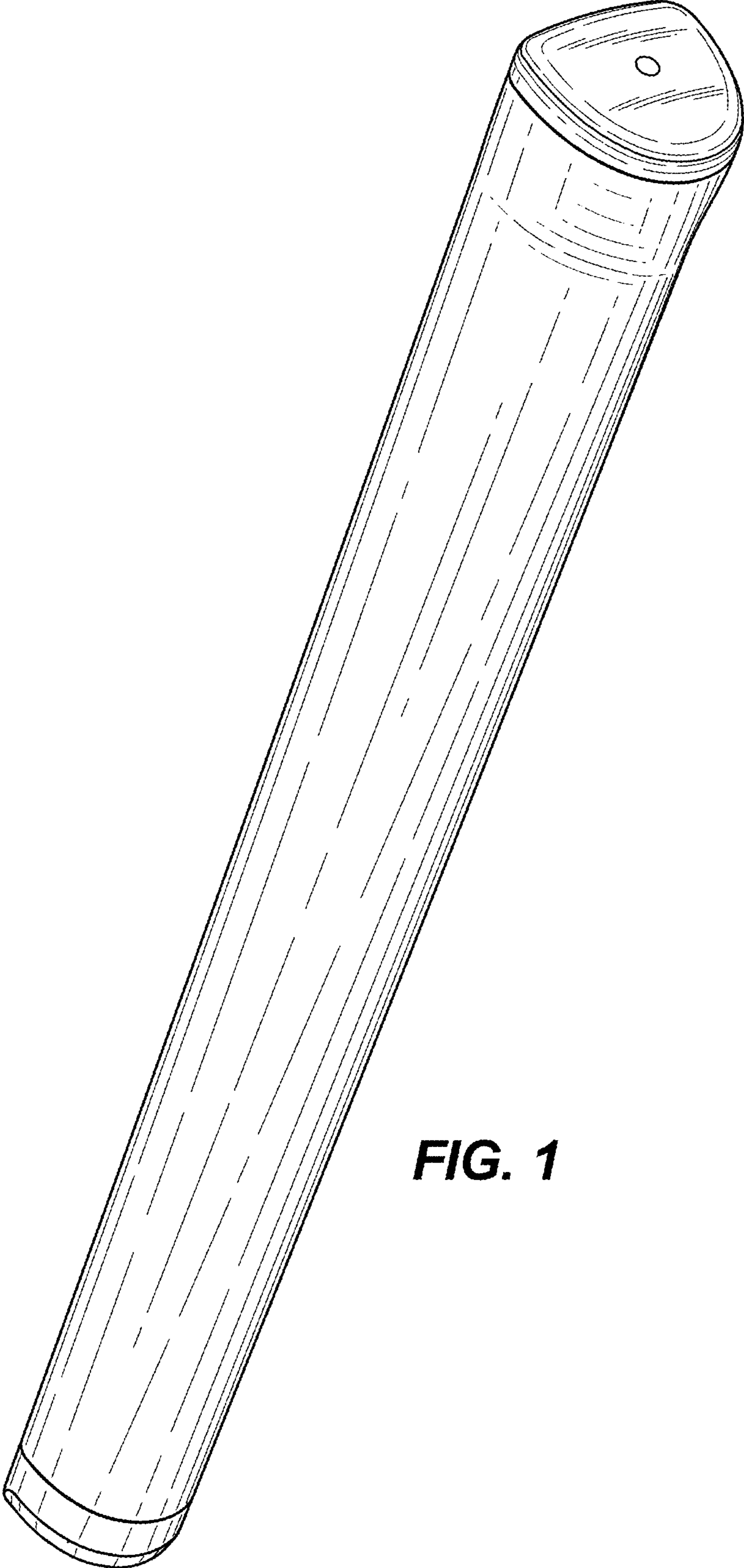


FIG. 1

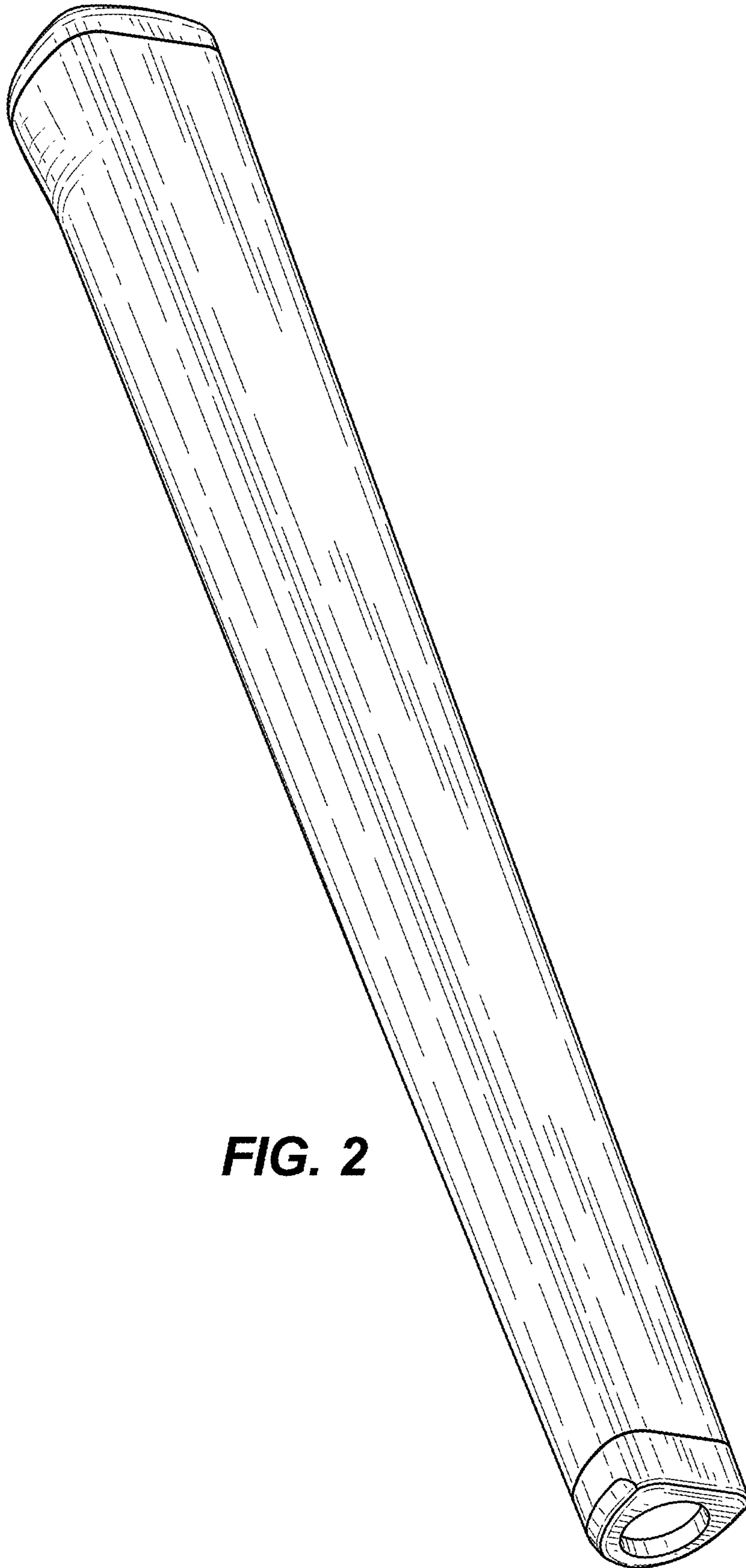


FIG. 2

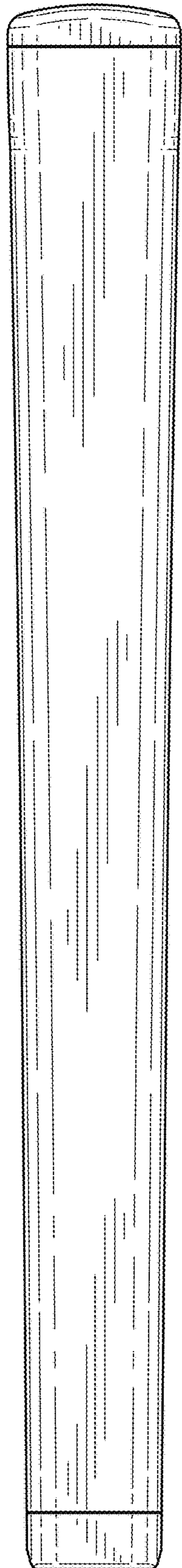


FIG. 3

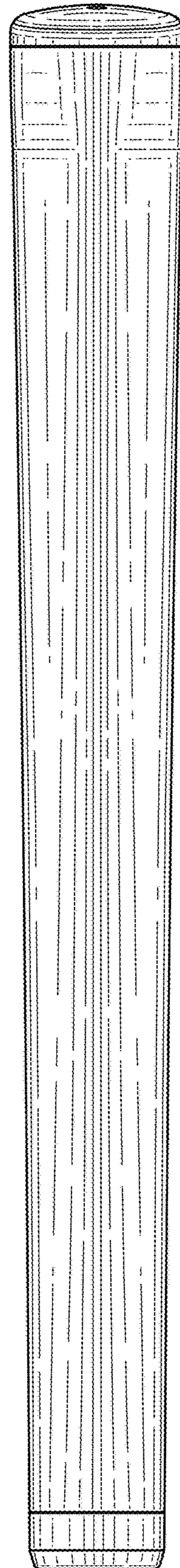


FIG. 4

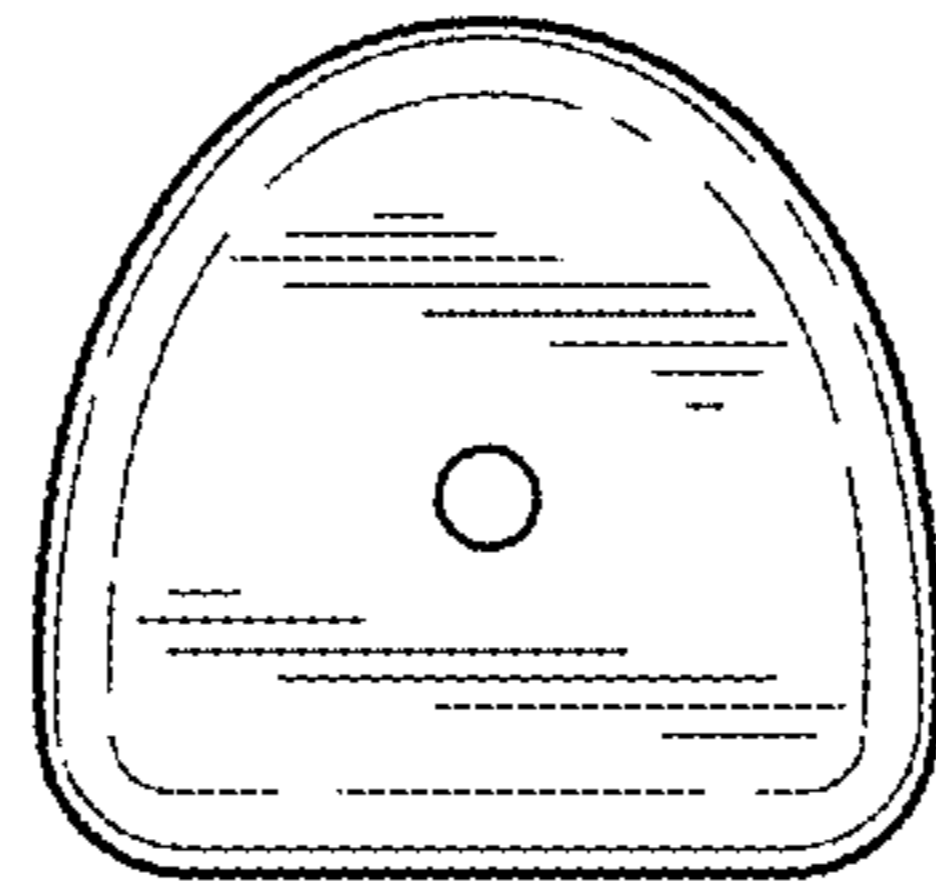


FIG. 5

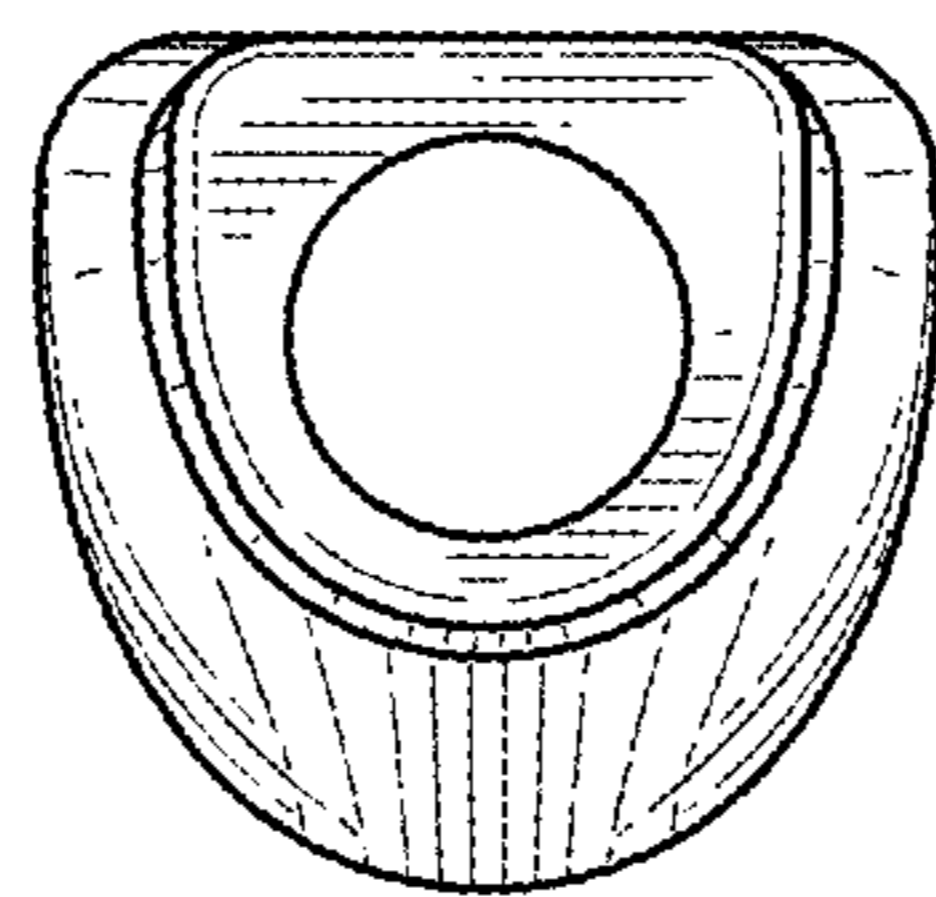


FIG. 6

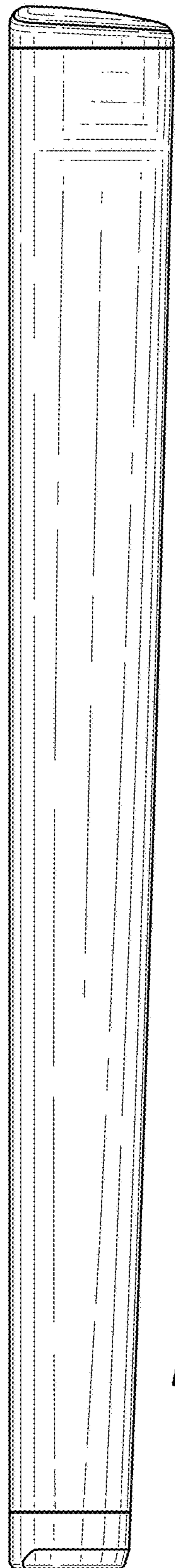


FIG. 7

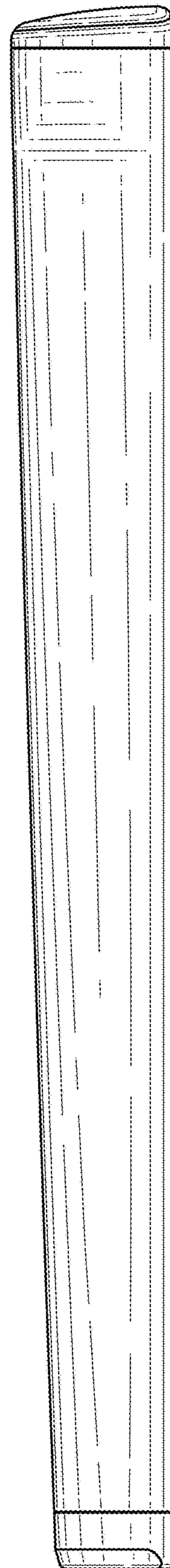


FIG. 8