



US00D835737S

(12) **United States Design Patent** (10) **Patent No.:** **US D835,737 S**
Parsons et al. (45) **Date of Patent:** **** Dec. 11, 2018**

(54) **GOLF CLUB HEAD**

2053/0479; A63B 2053/0483; A63B 2053/0445; A63B 60/00; A63B 60/46

See application file for complete search history.

(71) Applicant: **PARSONS XTREME GOLF, LLC**,
Scottsdale, AZ (US)

(56) **References Cited**

(72) Inventors: **Robert R. Parsons**, Scottsdale, AZ
(US); **Michael R. Nicolette**, Scottsdale,
AZ (US); **Bradley D. Schweigert**,
Anthem, AZ (US)

U.S. PATENT DOCUMENTS

(73) Assignee: **PARSONS XTREME GOLF, LLC**,
Scottsdale, AZ (US)

1,133,129 A	3/1915	Govan	
D164,469 S	9/1951	Behrendt	
3,020,048 A	2/1962	Carroll	
D203,936 S	3/1966	Long	
D215,101 S	9/1969	Sabat	
D234,963 S	4/1975	Hirata	
D239,550 S	4/1976	Timbrook	
D240,054 S	5/1976	Meissler	
D261,167 S	10/1981	Swanson	
D294,617 S *	3/1988	Perkins	D21/749
4,754,977 A *	7/1988	Sahm	A63B 53/04 473/327

(**) Term: **15 Years**

(21) Appl. No.: **29/616,949**

4,824,116 A	4/1989	Nagamoto et al.	
4,988,104 A	1/1991	Shiotani et al.	
5,158,296 A *	10/1992	Lee	A63B 53/04 473/327

(22) Filed: **Sep. 11, 2017**

Related U.S. Application Data

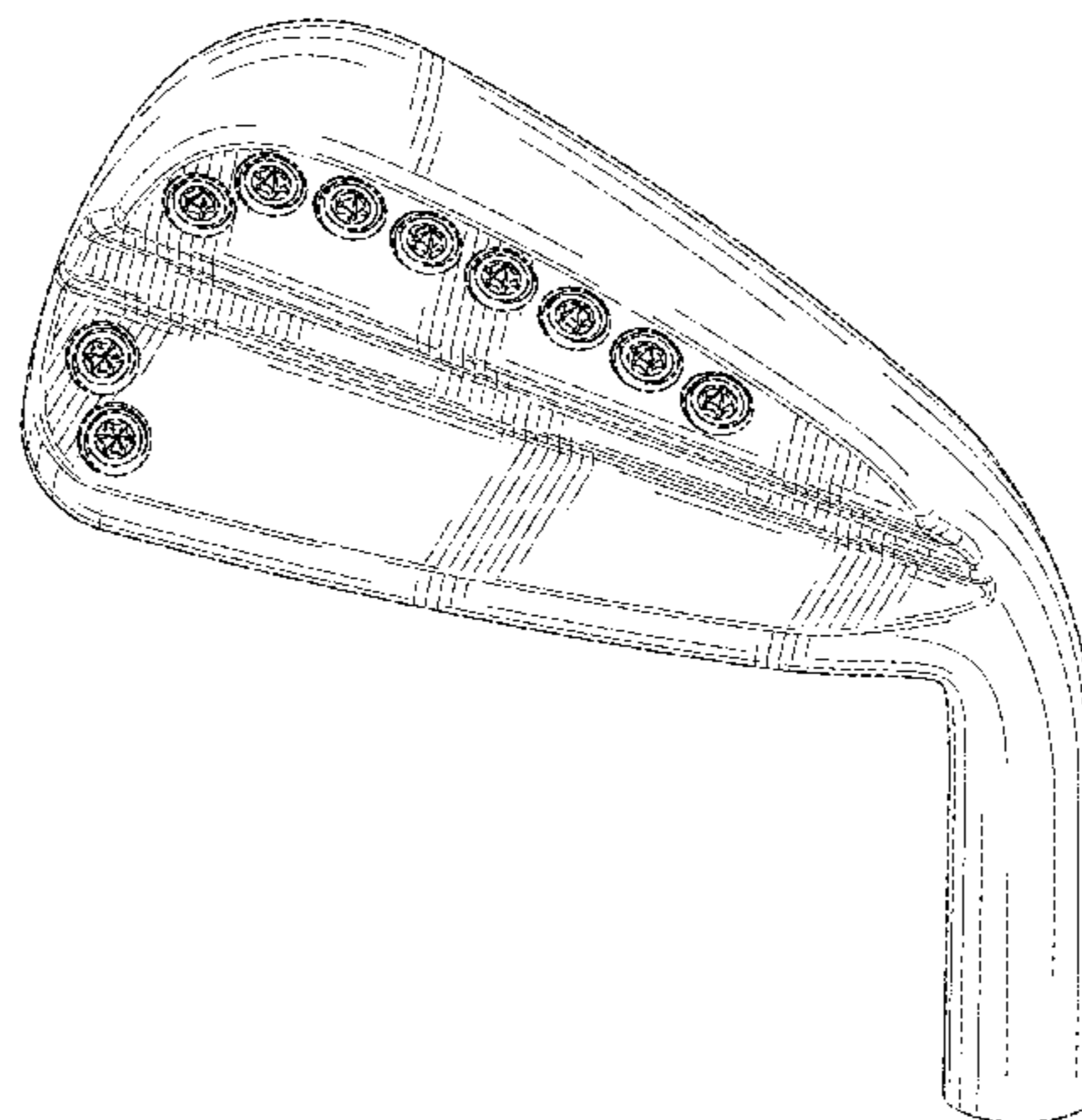
(63) Continuation-in-part of application No. 29/598,755,
filed on Mar. 28, 2017, now abandoned, and a
continuation-in-part of application No. 29/604,473,
filed on May 17, 2017, now Pat. No. Des. 827,065,
which is a continuation-in-part of application No.
29/595,304, filed on Feb. 27, 2017, now abandoned,
application No. 29/616,949, which is a
continuation-in-part of application No. 29/614,849,
filed on Aug. 23, 2017, now abandoned.

5,176,384 A	1/1993	Sata et al.	
5,213,328 A	5/1993	Long et al.	
D336,672 S	6/1993	Gorman	
D353,862 S	12/1994	Saito	
D357,520 S	4/1995	Helmstetter et al.	
5,419,560 A	5/1995	Bamber	
5,425,535 A	6/1995	Gee	
D361,358 S	8/1995	Simmons	
5,447,311 A	9/1995	Viollaz et al.	
5,451,056 A	9/1995	Manning	
D362,884 S	10/1995	Blough et al.	
D362,885 S	10/1995	Blough et al.	
D362,887 S	10/1995	Blough et al.	
D370,514 S	6/1996	Blough et al.	
5,540,437 A	7/1996	Bamber	
D379,106 S	5/1997	Maltby	
5,637,045 A	6/1997	Igarashi	
5,669,830 A	9/1997	Bamber	
D389,541 S	1/1998	Huan-Chiang	
D395,476 S	6/1998	Pond et al.	
5,766,091 A	6/1998	Humphrey et al.	
5,766,092 A	6/1998	Mimeur et al.	
D399,277 S	10/1998	Ezaki	
5,827,132 A	10/1998	Bamber	
D408,485 S	4/1999	Takahashi et al.	
5,899,821 A	5/1999	Hsu et al.	
5,935,016 A	8/1999	Antonious	
D414,535 S	9/1999	Mertens	
D421,080 S *	2/2000	Chen	D21/747

(51) **LOC (11) Cl.** **21-02**

(52) **U.S. Cl.**
USPC **D21/747**

(58) **Field of Classification Search**
USPC D21/747-751, 759
CPC A63B 53/00; A63B 53/02; A63B 53/04;
A63B 53/047; A63B 53/0475; A63B



US D835,737 S

D426,276 S *	6/2000	Besnard	D21/747	D572,326 S	7/2008	Schweigert et al.
D426,476 S	6/2000	Goss		D572,329 S	7/2008	Nicolette et al.
6,077,171 A *	6/2000	Yoneyama	A63B 53/04	D573,219 S	7/2008	Schweigert et al.
			473/291	7,396,299 B2	7/2008	Nicolette et al.
D442,659 S	5/2001	Kubica et al.		7,413,518 B2	8/2008	Cole et al.
D443,008 S	5/2001	Kubica et al.		D577,783 S	9/2008	Schweigert et al.
D445,862 S	7/2001	Ford		D578,590 S	10/2008	Schweigert et al.
6,290,609 B1	9/2001	Takeda		D581,000 S	11/2008	Nicolette et al.
D449,866 S	10/2001	Miller		D581,004 S	11/2008	Schweigert et al.
D457,211 S	5/2002	Bakke		D584,370 S	1/2009	Cleveland et al.
D458,328 S	6/2002	Solheim et al.		D594,518 S	6/2009	Schweigert
D469,833 S	2/2003	Roberts et al.		D596,256 S	7/2009	Schweigert et al.
D473,605 S	4/2003	Petersen et al.		D596,257 S	7/2009	Jertson et al.
D475,107 S	5/2003	Madore		D596,258 S	7/2009	Jertson et al.
D476,048 S	6/2003	Cleveland et al.		D596,688 S	7/2009	Schweigert et al.
D478,949 S	8/2003	DeLaCruz		D597,158 S	7/2009	Schweigert et al.
6,638,162 B2	10/2003	Kosmatka		D601,216 S	9/2009	Jertson et al.
6,695,714 B1	2/2004	Bliss et al.		7,588,502 B2	9/2009	Nishino
6,702,693 B2	3/2004	Bamber		7,601,075 B2	10/2009	Cole et al.
D492,376 S	6/2004	Nicolette et al.		D604,783 S	11/2009	Nicolette et al.
D494,240 S	8/2004	Schweigert		7,611,424 B2	11/2009	Nagai et al.
D494,648 S	8/2004	Schweigert et al.		D606,605 S	12/2009	Wada et al.
6,780,123 B2	8/2004	Hasebe		D607,070 S	12/2009	Wada et al.
D497,963 S	11/2004	Toulon et al.		D607,071 S	12/2009	Wada et al.
6,811,496 B2	11/2004	Wahl et al.		7,658,686 B2	2/2010	Soracco
D499,779 S	12/2004	Mahaffey et al.		D612,438 S	3/2010	Carlyle et al.
D500,350 S	12/2004	Schweigert et al.		D612,439 S	3/2010	Carlyle et al.
D500,351 S	12/2004	Schweigert et al.		D617,406 S	6/2010	Carlyle et al.
D502,237 S	2/2005	Schweigert et al.		D618,293 S	6/2010	Foster et al.
D502,975 S	3/2005	Schweigert et al.		7,736,243 B2	6/2010	Sanchez et al.
D503,204 S	3/2005	Nicolette et al.		7,744,484 B1	6/2010	Chao
D504,925 S	5/2005	Schweigert et al.		D621,893 S	8/2010	Nicolette et al.
D505,171 S	5/2005	Schweigert et al.		D621,894 S	8/2010	Schweigert
D507,320 S	7/2005	Roberts et al.		D621,895 S	8/2010	Schweigert et al.
D507,614 S	7/2005	Schweigert et al.		7,798,917 B2	9/2010	Nguyen et al.
D508,099 S	8/2005	Schweigert et al.		7,815,521 B2	10/2010	Ban et al.
D508,545 S	8/2005	Roberts et al.		D627,409 S	11/2010	Schweigert et al.
6,923,733 B2	8/2005	Chen		D627,410 S	11/2010	Nicolette et al.
D514,183 S	1/2006	Schweigert et al.		7,846,040 B2	12/2010	Ban
D516,650 S	3/2006	Wolfe et al.		D633,159 S	2/2011	Holt
D518,863 S	4/2006	Motoyoshi et al.		D633,967 S	3/2011	Carlyle et al.
D523,501 S	6/2006	Nicolette et al.		D635,627 S	4/2011	Nicolette
D523,917 S	6/2006	Wolfe et al.		7,938,738 B2	5/2011	Roach
D524,889 S	7/2006	Yu et al.		D643,488 S	6/2011	Holt
D530,759 S	10/2006	Nicolette et al.		D642,642 S	8/2011	Jertson et al.
D530,760 S	10/2006	Schweigert et al.		D643,490 S	8/2011	Wada et al.
7,121,956 B2 *	10/2006	Lo	A63B 53/04	D643,491 S	8/2011	Stokke et al.
			473/335	D643,492 S	8/2011	Nicolette et al.
7,128,663 B2	10/2006	Bamber		D643,895 S	8/2011	Wieland
D532,849 S	11/2006	Nicolette et al.		D643,896 S	8/2011	Jertson et al.
D534,228 S	12/2006	Nicolette et al.		D647,582 S	10/2011	Nicolette et al.
D534,595 S *	1/2007	Hasebe	D21/747	D649,211 S	11/2011	Jertson et al.
D534,597 S	1/2007	Nicolette et al.		8,062,150 B2	11/2011	Gilbert et al.
7,156,751 B2	1/2007	Wahl et al.		D651,268 S	12/2011	Nicolette et al.
D536,759 S	2/2007	Schweigert et al.		8,088,025 B2	1/2012	Wahl et al.
D537,494 S	2/2007	Jertson et al.		8,092,319 B1	1/2012	Cackett et al.
7,182,698 B2	2/2007	Tseng		8,105,180 B1	1/2012	Cackett et al.
D538,366 S	3/2007	Nicolette et al.		8,142,307 B2	3/2012	Sanchez et al.
D539,864 S	4/2007	Nicolette et al.		D658,248 S	4/2012	Nunez et al.
D540,898 S	4/2007	Solheim et al.		8,221,262 B1	7/2012	Cackett et al.
D541,360 S	4/2007	Schweigert et al.		8,246,487 B1	8/2012	Cackett et al.
7,207,900 B2	4/2007	Nicolette et al.		D670,775 S	11/2012	Jertson et al.
D543,601 S *	5/2007	Kawami	D21/759	D672,417 S	12/2012	Jertson et al.
D544,056 S	6/2007	Nicolette et al.		8,328,662 B2	12/2012	Nakamura et al.
D547,410 S	7/2007	Nicolette et al.		D673,633 S	1/2013	Jertson et al.
D555,219 S *	11/2007	Lin	D21/759	D673,634 S	1/2013	Jertson et al.
7,303,466 B2	12/2007	Imamoto		8,376,878 B2	2/2013	Bennett et al.
D559,932 S	1/2008	Belmont		D680,603 S	4/2013	Nicolette et al.
D561,855 S	2/2008	Schweigert et al.		D681,142 S	4/2013	Fossum et al.
D562,925 S	2/2008	Schweigert et al.		D681,143 S	4/2013	Nicolette et al.
7,351,164 B2	4/2008	Schweigert et al.		8,414,422 B2	4/2013	Peralta et al.
D570,435 S	6/2008	Sanchez et al.		8,506,420 B2	8/2013	Hocknell et al.
D570,935 S	6/2008	Nicolette et al.		8,545,343 B2	10/2013	Boyd et al.
D570,936 S	6/2008	Schweigert et al.		8,574,094 B2	11/2013	Nicolette et al.
D570,942 S	6/2008	Chen et al.		8,657,700 B2	2/2014	Nicolette et al.
D571,422 S	6/2008	Schweigert et al.		8,663,026 B2	3/2014	Blowers et al.
D571,425 S	6/2008	Chen et al.		8,690,710 B2	4/2014	Nicolette et al.
D571,427 S	6/2008	Schweigert et al.		D707,316 S	6/2014	Aguayo et al.
D571,881 S	6/2008	Nicolette et al.		D707,317 S	6/2014	Aguayo et al.

8,753,230	B2	6/2014	Stokke et al.	
D708,688	S	7/2014	Nicolette et al.	
8,827,832	B2	9/2014	Breier et al.	
8,827,833	B2	9/2014	Amano et al.	
8,845,455	B2	9/2014	Ban et al.	
D716,387	S	10/2014	Aguayo et al.	
D716,388	S	10/2014	Aguayo et al.	
D722,352	S *	2/2015	Nicolette	D21/747
D723,120	S *	2/2015	Nicolette	D21/747
8,961,336	B1 *	2/2015	Parsons	A63B 53/0475 473/332
D726,265	S *	4/2015	Nicolette	D21/747
9,199,143	B1	12/2015	Parsons et al.	
D746,926	S *	1/2016	Parsons	D21/747
D748,214	S *	1/2016	Nicolette	D21/747
D746,749	S	2/2016	Nicolette et al.	
D748,749	S *	2/2016	Nicolette	D21/759
D751,660	S *	3/2016	Greenlaw	D21/759
D756,471	S *	5/2016	Nicolette	D21/747
D764,610	S *	8/2016	Parsons	D21/747
9,421,437	B2	8/2016	Parsons et al.	
9,427,634	B2	8/2016	Parsons et al.	
D767,057	S *	9/2016	Mickelson	D21/747
D773,575	S *	12/2016	Nicolette	D21/747
D802,068	S *	11/2017	Parsons	D21/747
D816,787	S *	5/2018	Nicolette	D21/747
2002/0107087	A1	8/2002	Fagot	
2003/0139226	A1 *	7/2003	Cheng	A63B 53/04 473/334
2003/0176231	A1	9/2003	Hasebe	
2004/0204263	A1	10/2004	Fagot et al.	
2005/0009632	A1	1/2005	Schweigert et al.	
2005/0014573	A1	1/2005	Lee	
2005/0096148	A1	5/2005	Noble et al.	
2005/0119066	A1	6/2005	Stites et al.	
2005/0239569	A1	10/2005	Best et al.	
2005/0277485	A1 *	12/2005	Hou	A63B 53/047 473/332
2006/0111200	A1	5/2006	Poynor	
2007/0032308	A1	2/2007	Fagot et al.	
2007/0225084	A1	9/2007	Schweigert et al.	
2008/0058113	A1	3/2008	Nicolette et al.	
2008/0188322	A1	8/2008	Anderson et al.	
2008/0300065	A1	12/2008	Schweigert	
2009/0029790	A1	1/2009	Nicolette et al.	
2010/0130306	A1	5/2010	Schweigert	
2010/0178999	A1	7/2010	Nicolette et al.	
2011/0111883	A1	5/2011	Cackett	
2011/0165963	A1	7/2011	Cackett et al.	
2011/0269567	A1	11/2011	Ban et al.	
2011/0294596	A1	12/2011	Ban	
2013/0137532	A1	5/2013	Deshmukh et al.	
2013/0225319	A1	8/2013	Kato	
2013/0281226	A1	10/2013	Ban	
2013/0288623	A1	10/2013	Hebreo	
2013/0303303	A1	11/2013	Ban	
2013/0310192	A1	11/2013	Wahl et al.	
2014/0080621	A1	3/2014	Nicolette et al.	
2014/0128175	A1	5/2014	Jertson et al.	
2014/0274441	A1	9/2014	Greer	
2014/0274451	A1	9/2014	Knight et al.	
2015/0231454	A1 *	8/2015	Parsons	A63B 53/0475 473/335
2015/0231806	A1	8/2015	Parsons et al.	

OTHER PUBLICATIONS

International Search Report and Written Opinion issued in connection with corresponding application No. PCT/US2015/016666, dated May 14, 2015 (8 pages).

Kozuchowski, Zak, "Callaway Mack Daddy 2 PM Grind Wedges" (<http://www.golfwrx.com/276203/callaway-mack-daddy-2-pm-grind-wedges/>), www.golfwrx.com, GolfWRX Holdings, LLC, published Jan. 21, 2015.

Wall, Jonathan, "Details: Phil's Prototype Mack Daddy PM-Grind Wedge," (<http://www.pgatour.com/equipmentreport/2015/01/21/callaway-wedge.html>), www.pgatour.com, PGA Tour, Inc., published Jan. 21, 2015.

* cited by examiner

Primary Examiner — Mitchell I. Siegel

(57) CLAIM

The ornamental design for a golf club head, as shown and described.

DESCRIPTION

FIG. 1 is a top perspective view of a golf club head; FIG. 2 is a bottom perspective view of the golf club head of FIG. 1; FIG. 3 is a front elevational view of the golf club head of FIG. 1; FIG. 4 is a rear elevational view of the golf club head of FIG. 1; FIG. 5 is a top view of the golf club head of FIG. 1; FIG. 6 is a bottom view of the golf club head of FIG. 1; FIG. 7 is a left side view of the golf club head of FIG. 1; FIG. 8 is a right side view of the golf club head of FIG. 1; FIG. 9 is a top perspective view of a second embodiment of a golf club head; FIG. 10 is a bottom perspective view of the golf club head of FIG. 9; FIG. 11 is a front elevational view of the golf club head of FIG. 9; FIG. 12 is a rear elevational view of the golf club head of FIG. 9; FIG. 13 is a top view of the golf club head of FIG. 9; FIG. 14 is a bottom view of the golf club head of FIG. 9; FIG. 15 is a left side view of the golf club head of FIG. 9; FIG. 16 is a right side view of the golf club head of FIG. 9; FIG. 17 is a top perspective view of a third embodiment of a golf club head; FIG. 18 is a bottom perspective view of the golf club head of FIG. 17; FIG. 19 is a front elevational view of the golf club head of FIG. 17; FIG. 20 is a rear elevational view of the golf club head of FIG. 17; FIG. 21 is a top view of the golf club head of FIG. 17; FIG. 22 is a bottom view of the golf club head of FIG. 17; FIG. 23 is a left side view of the golf club head of FIG. 17; and, FIG. 24 is a right side view of the golf club head of FIG. 17. The broken line showing of unclaimed elements is included for the purpose of illustrating and forms no part of the claimed design.

1 Claim, 24 Drawing Sheets

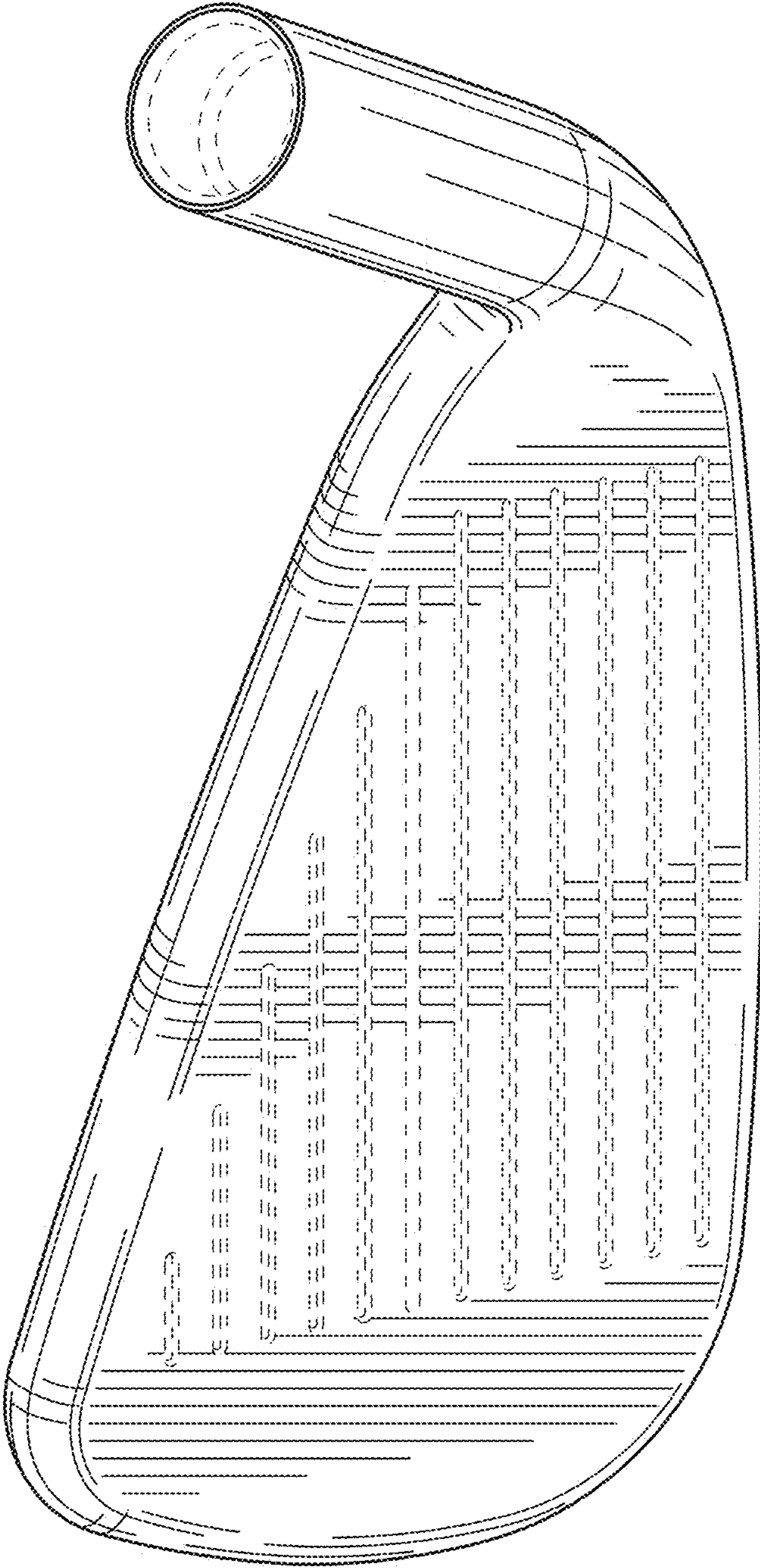


FIG. 1

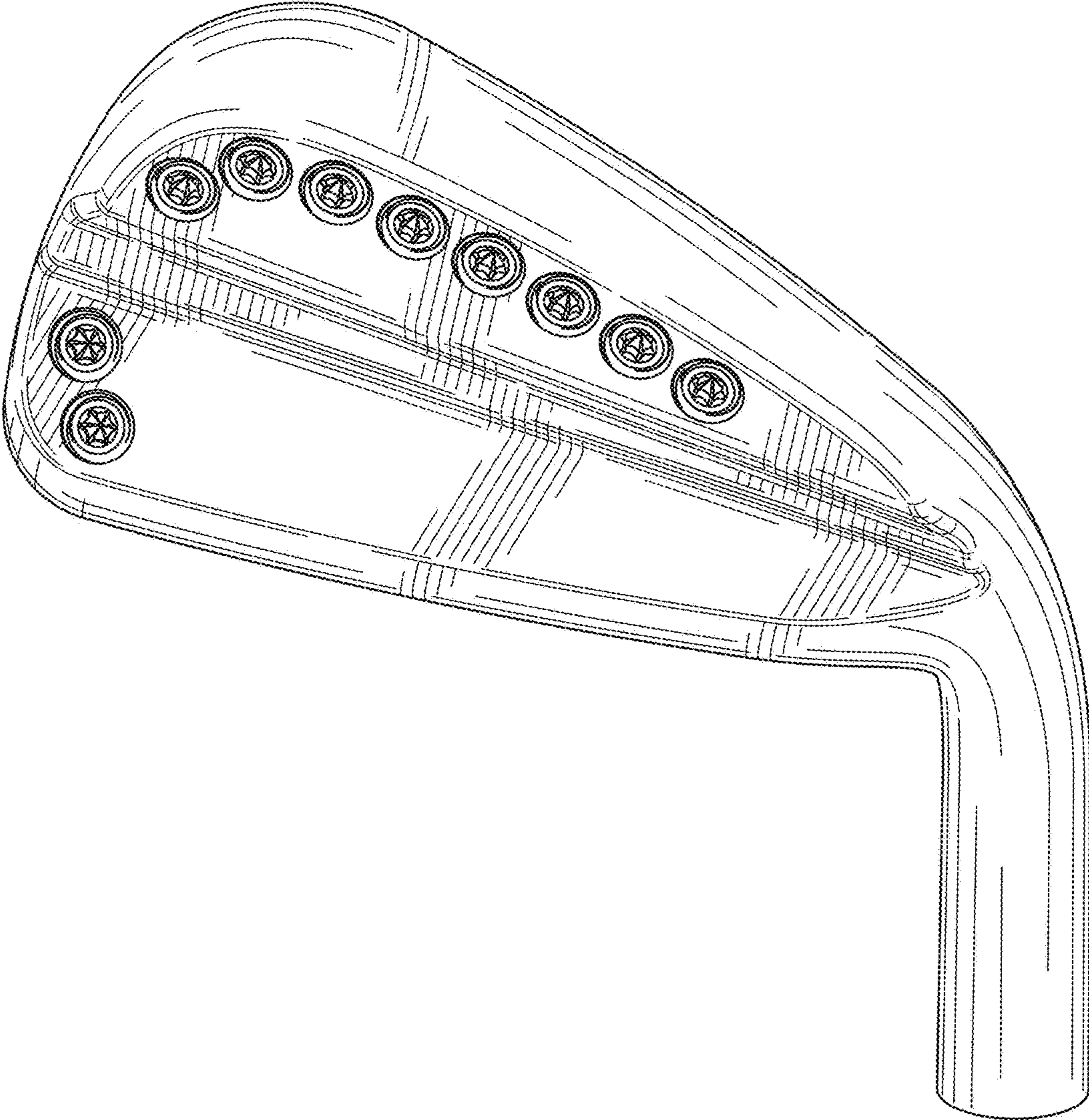


FIG. 2

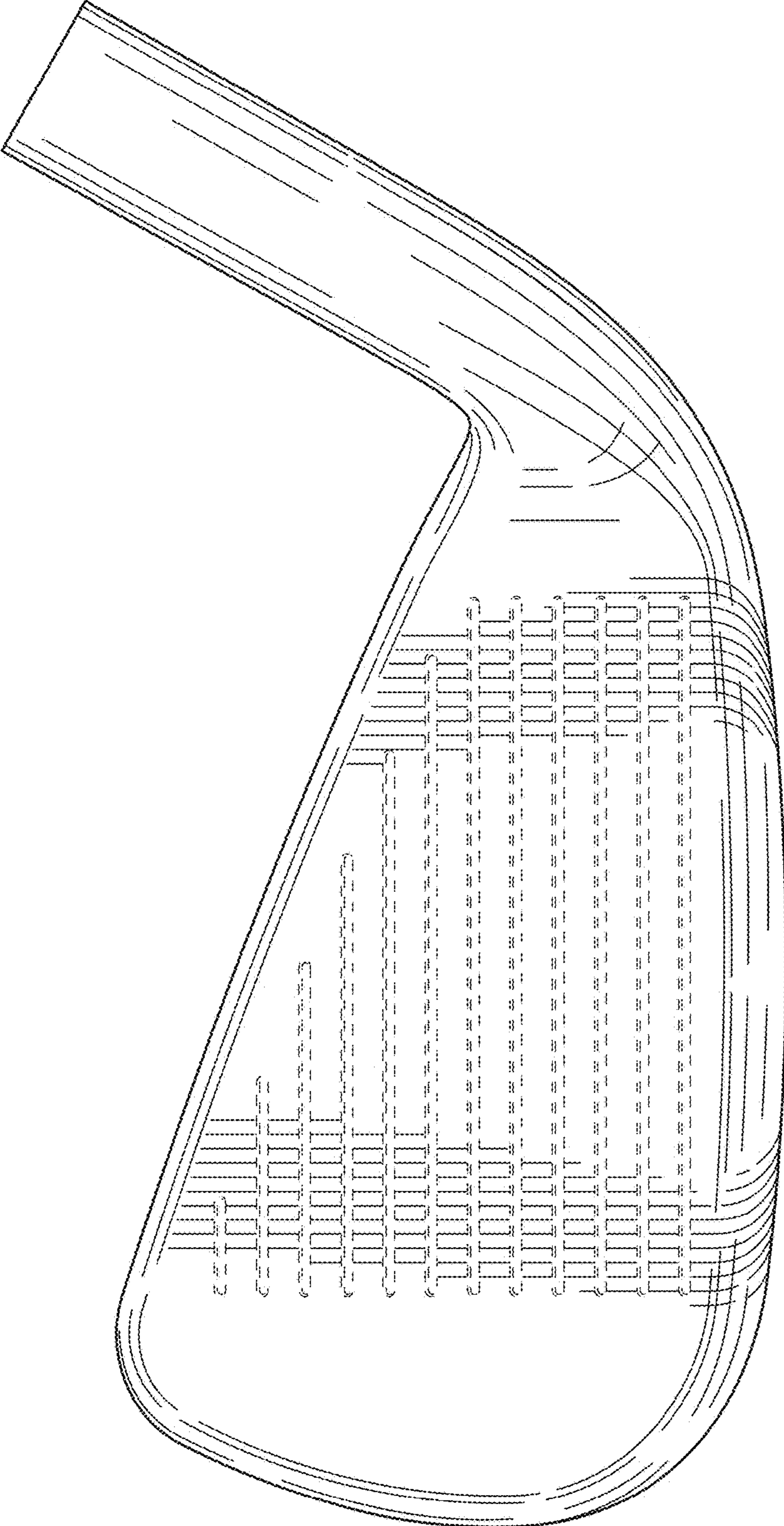


FIG. 3

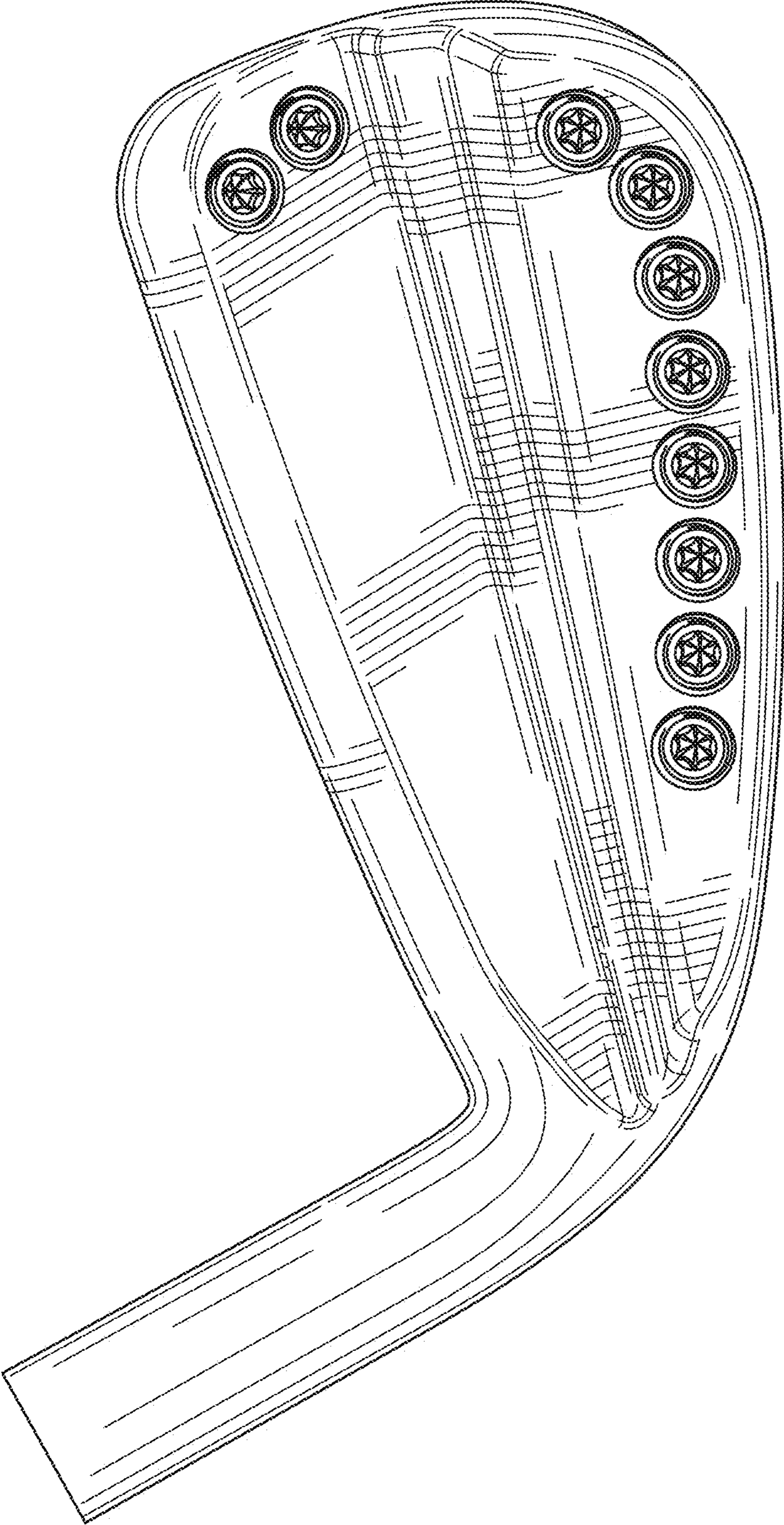


FIG. 4

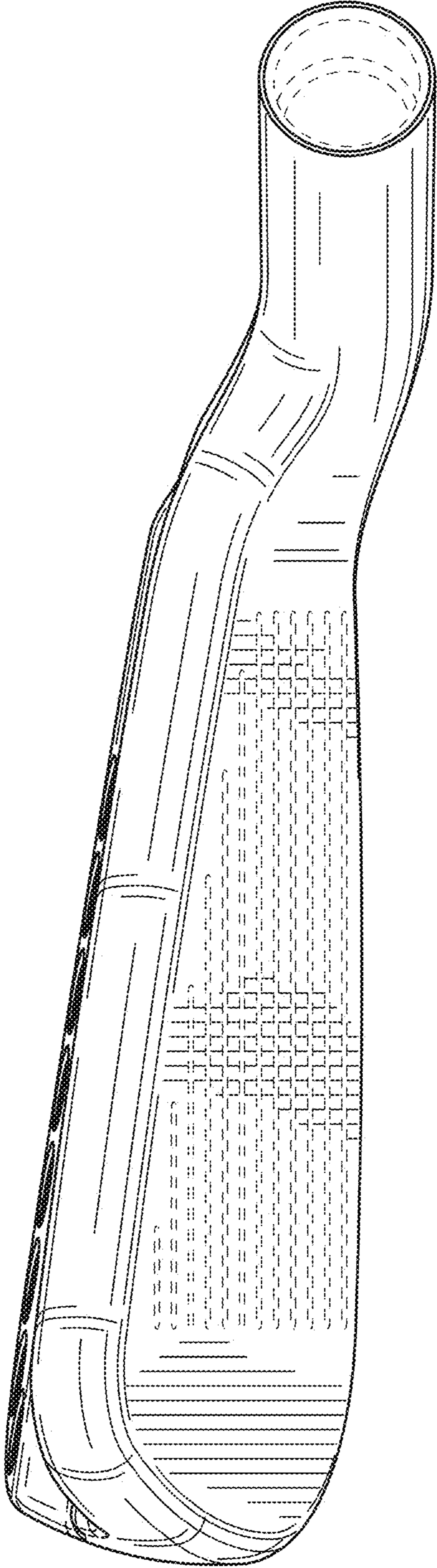


FIG. 5

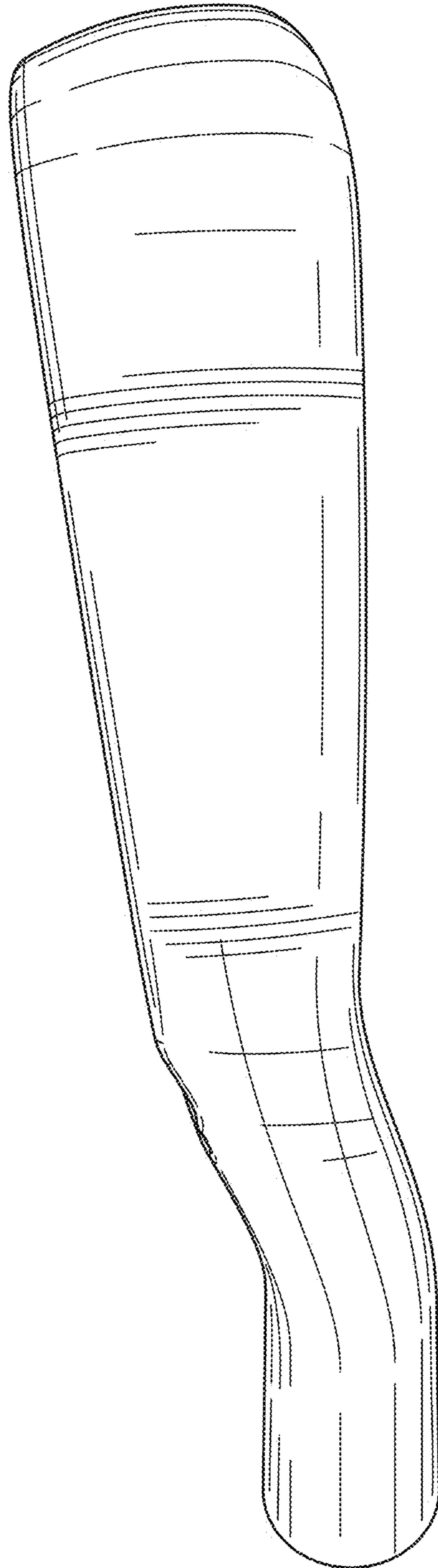


FIG. 6

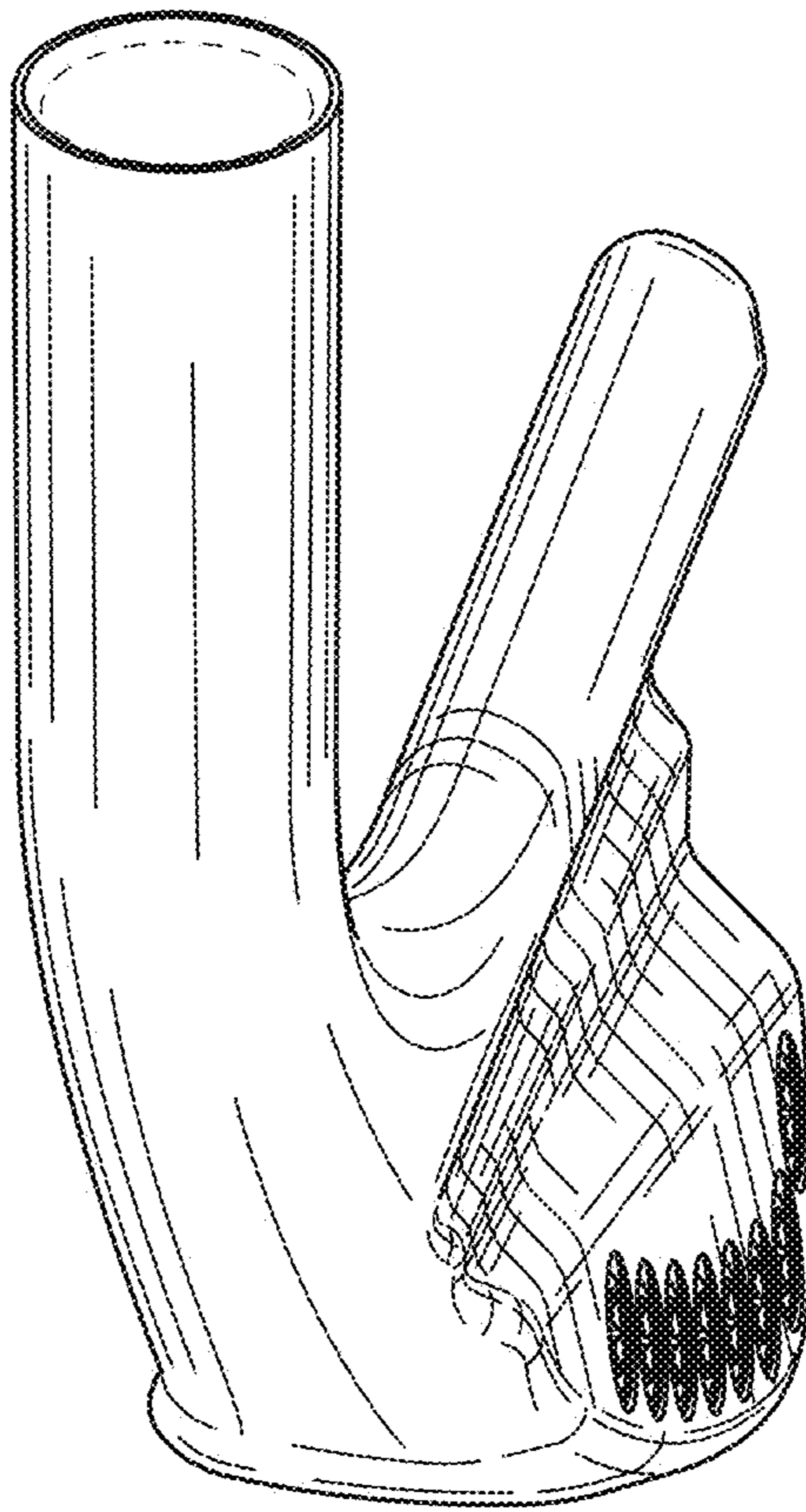


FIG. 7

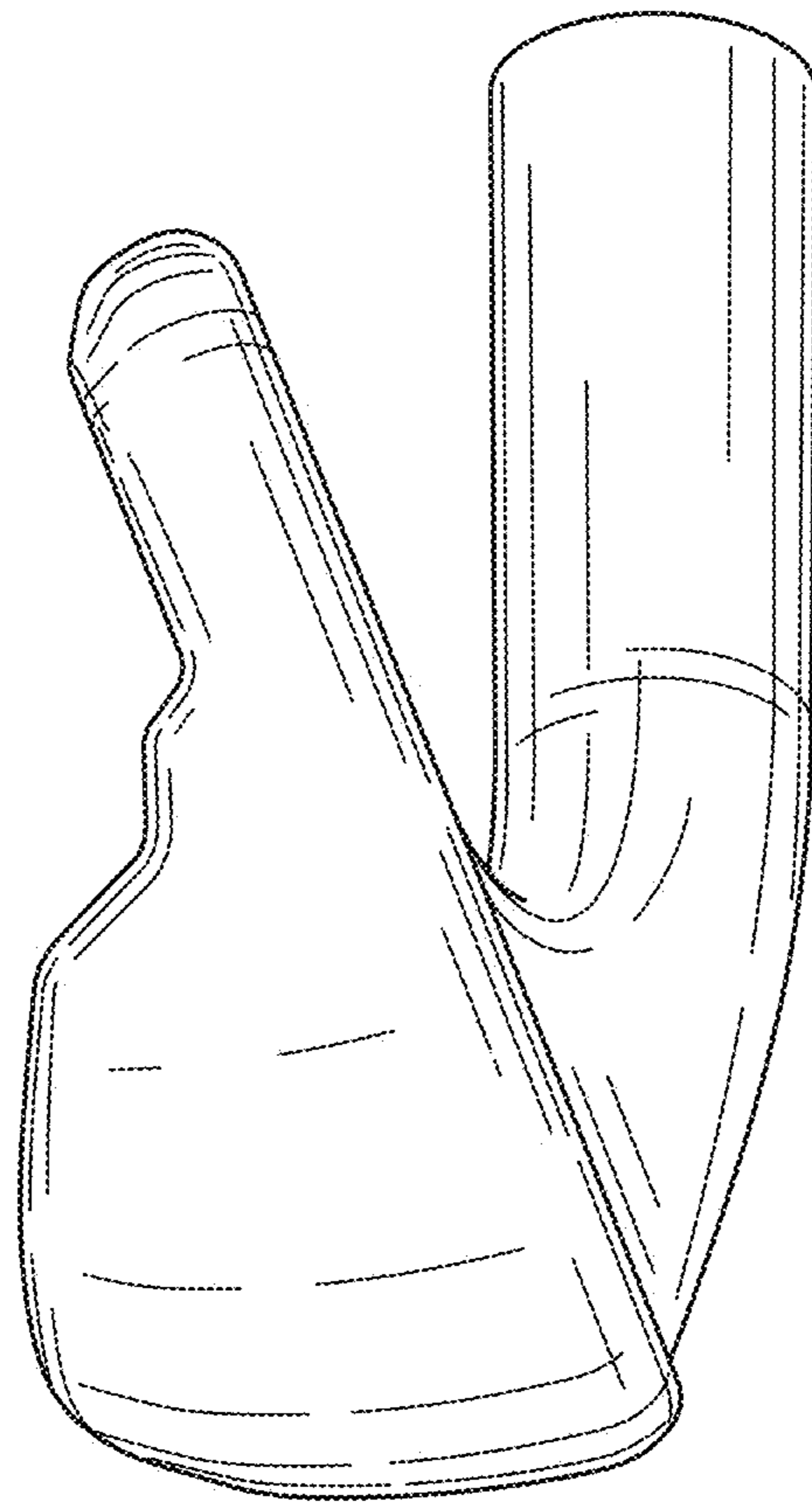


FIG. 8

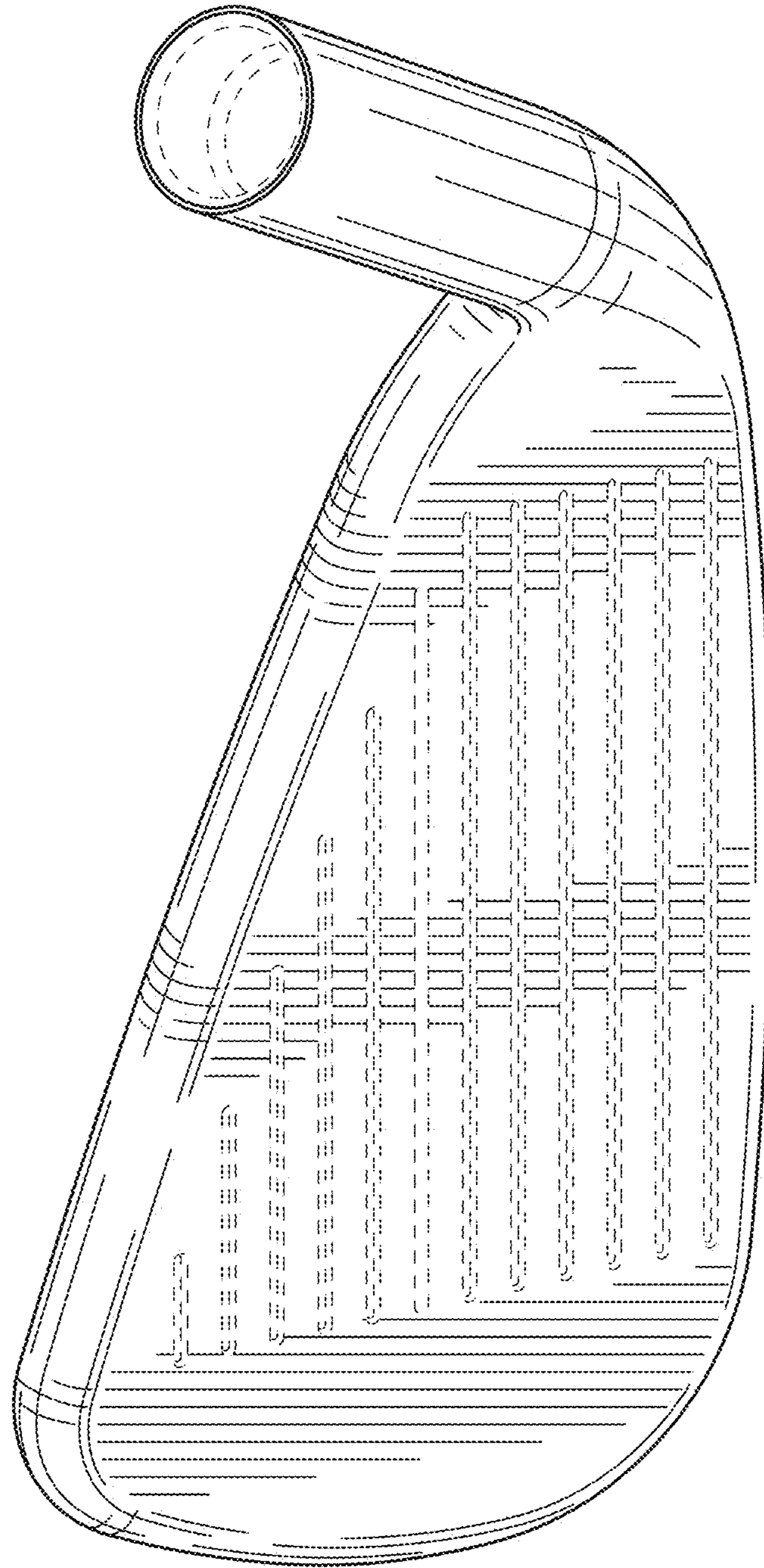


FIG. 9

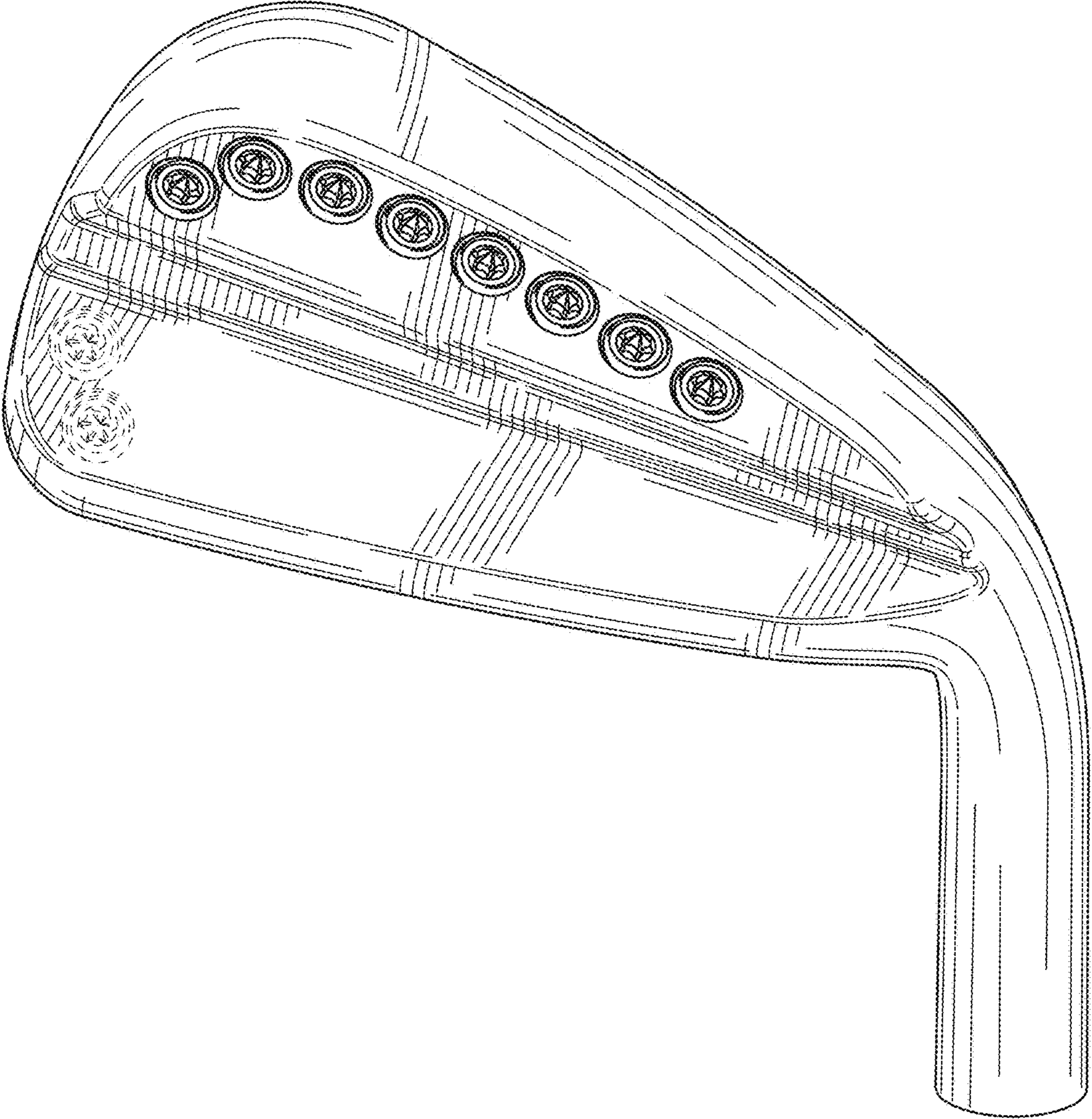


FIG. 10

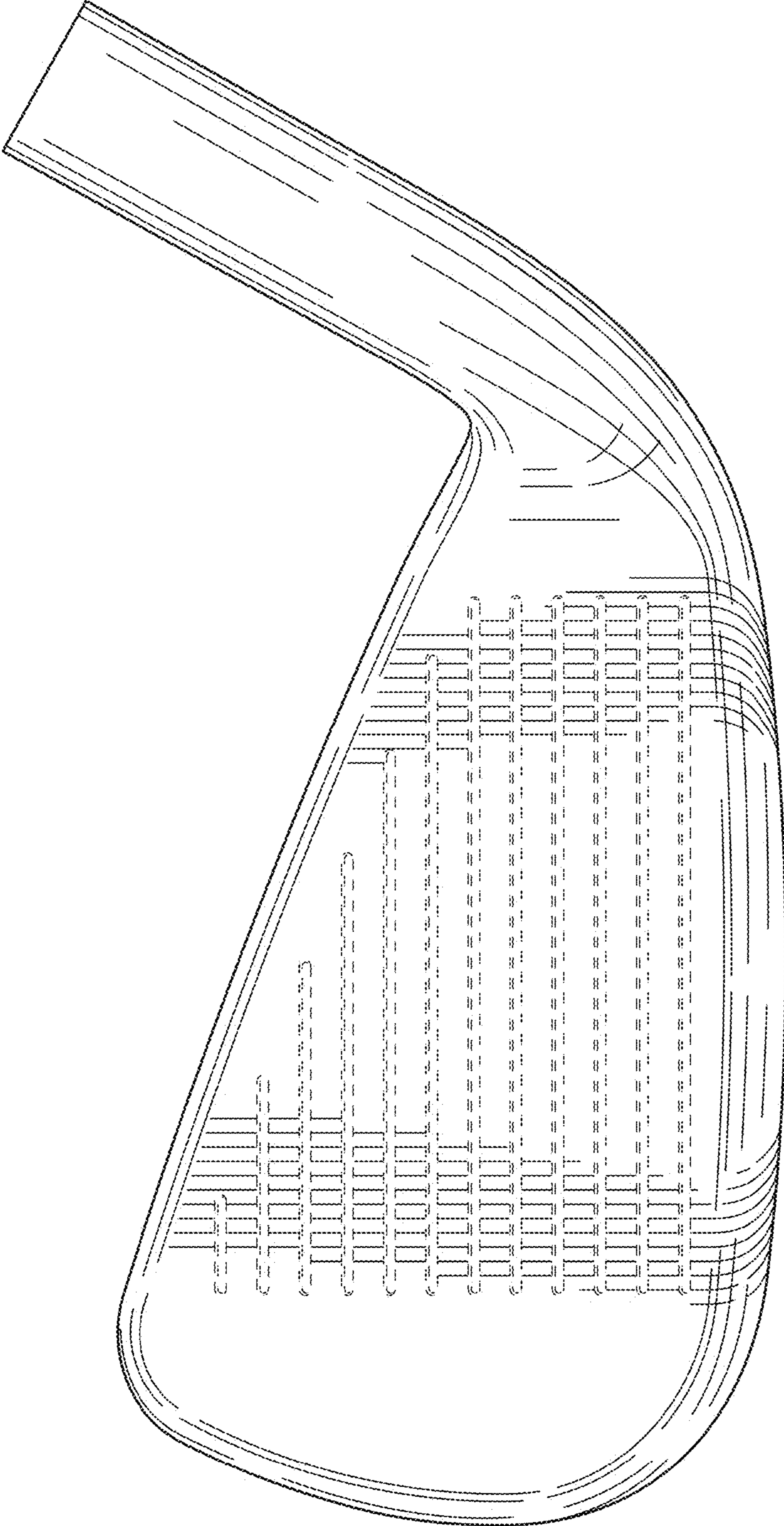


FIG. 11

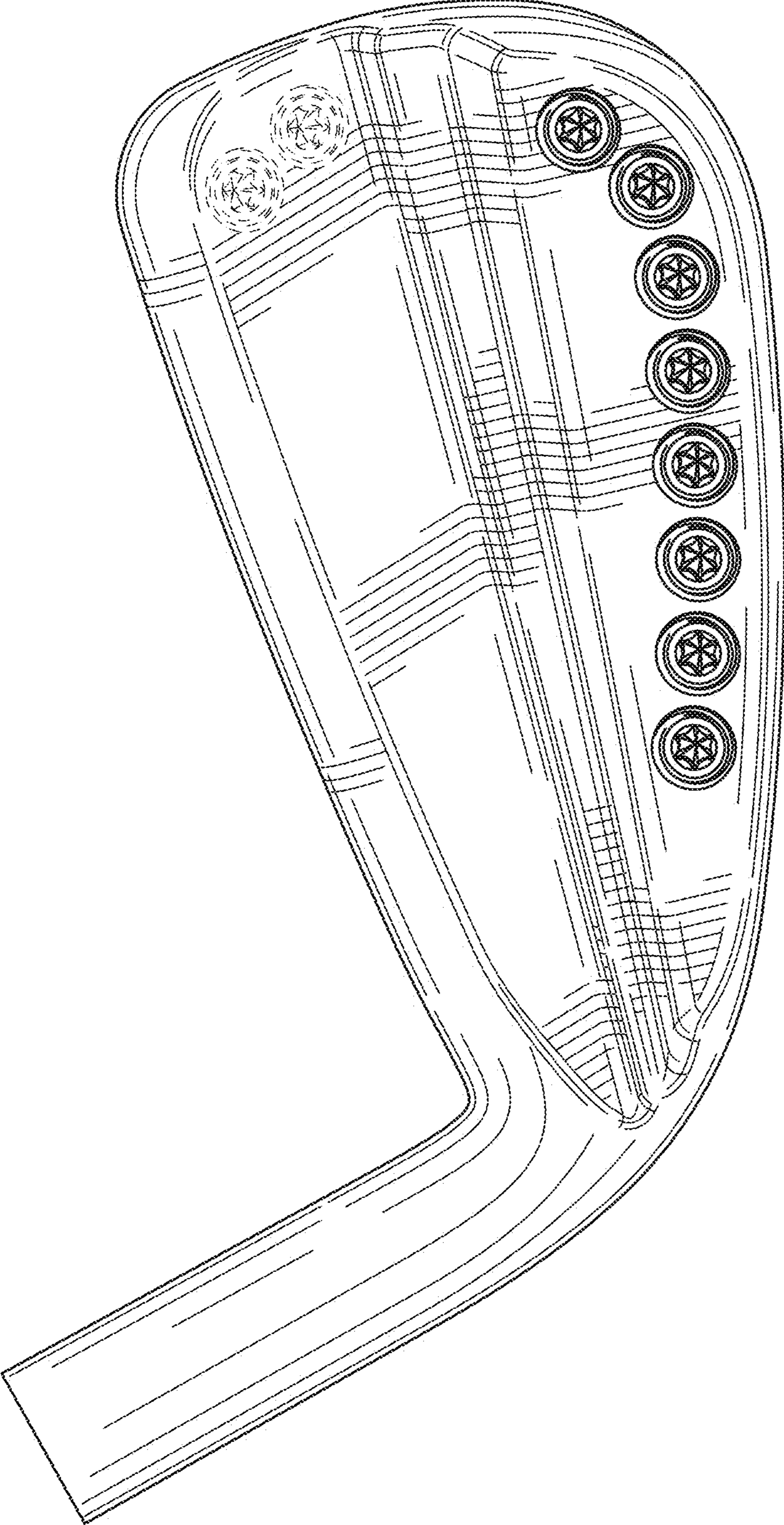


FIG. 12

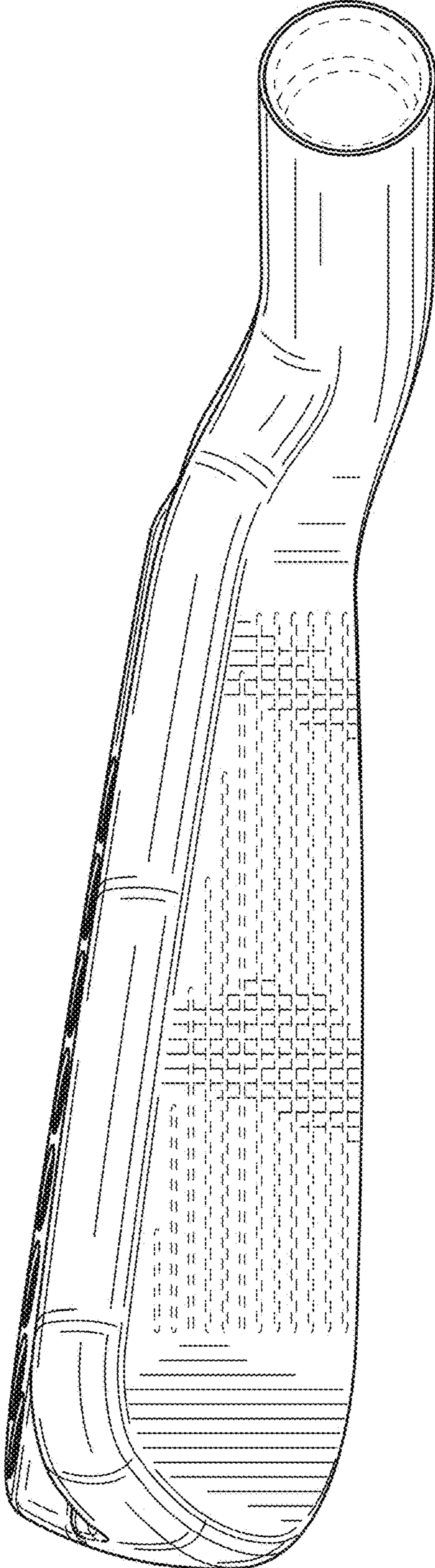


FIG. 13

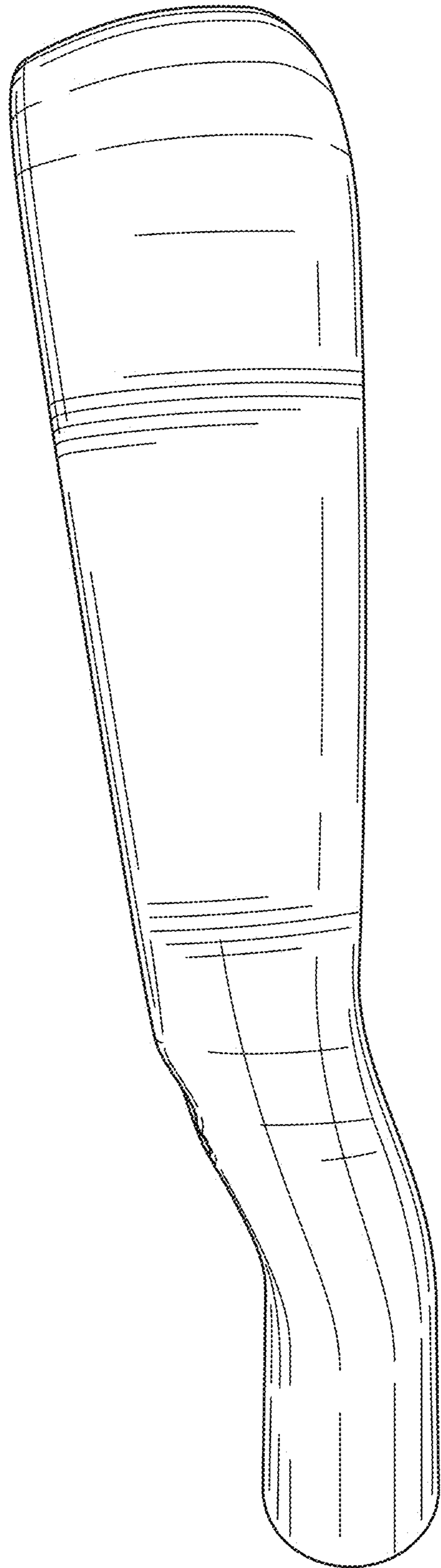


FIG. 14

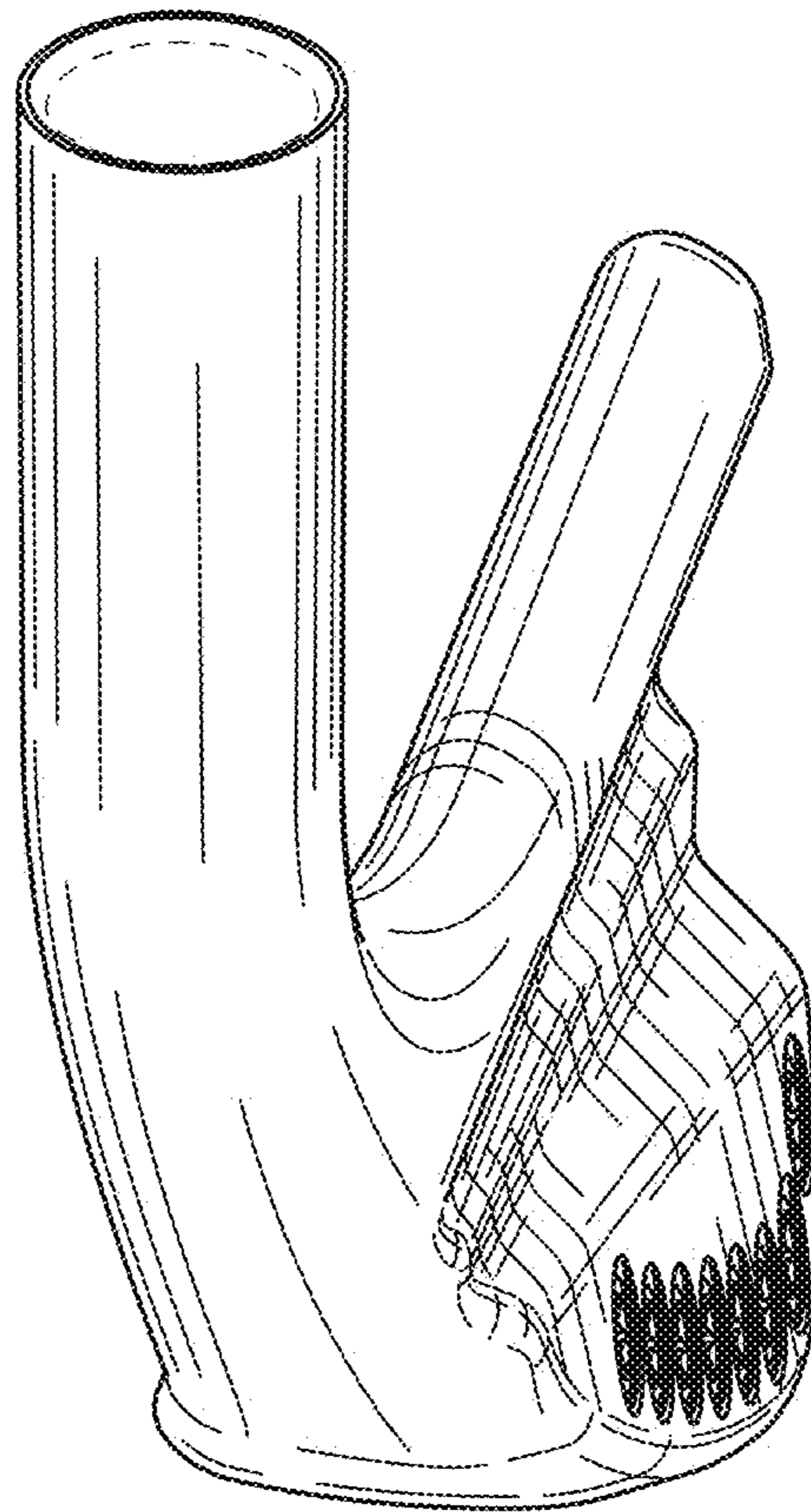


FIG. 15

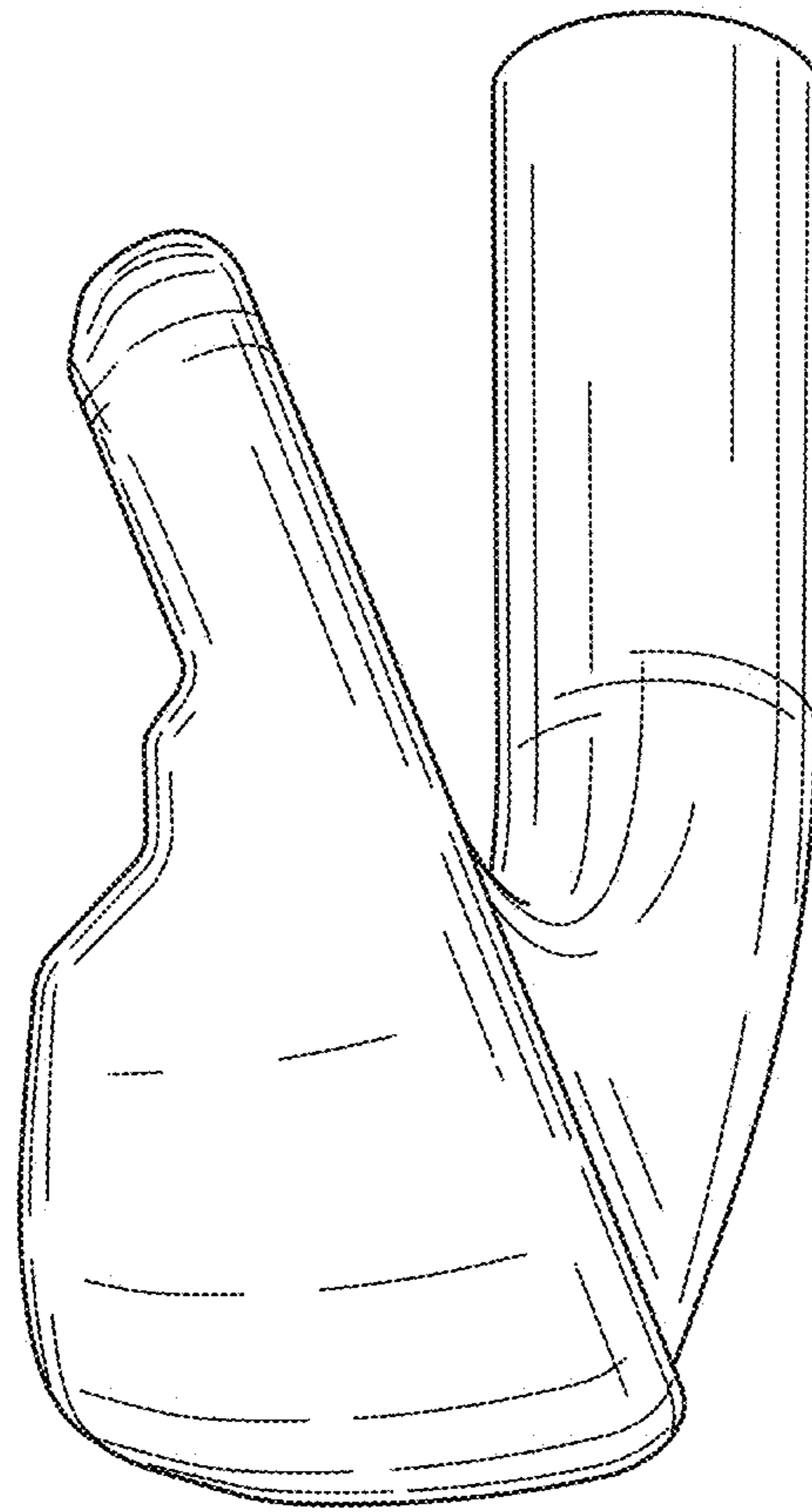


FIG. 16

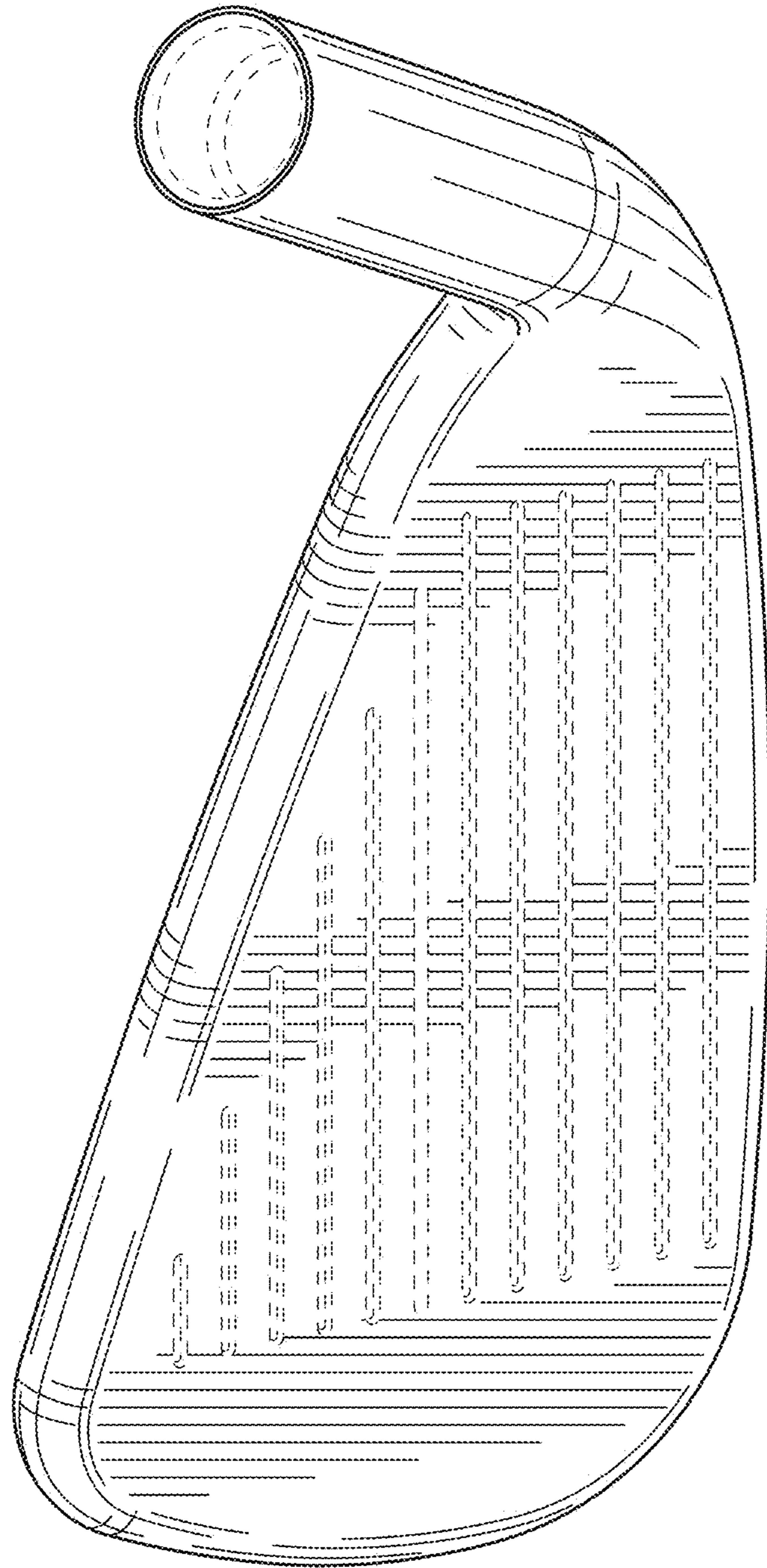


FIG. 17



FIG. 18

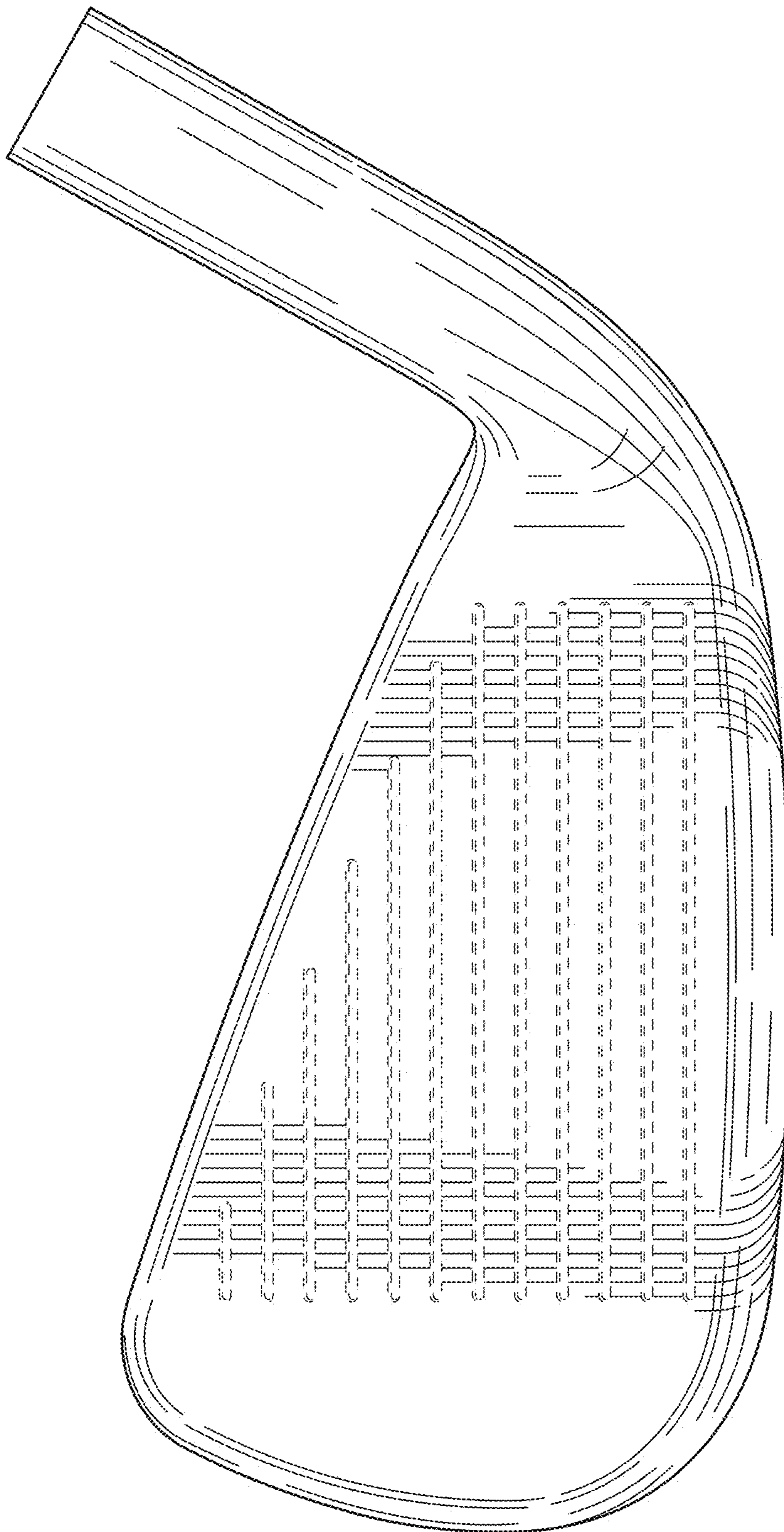


FIG. 19

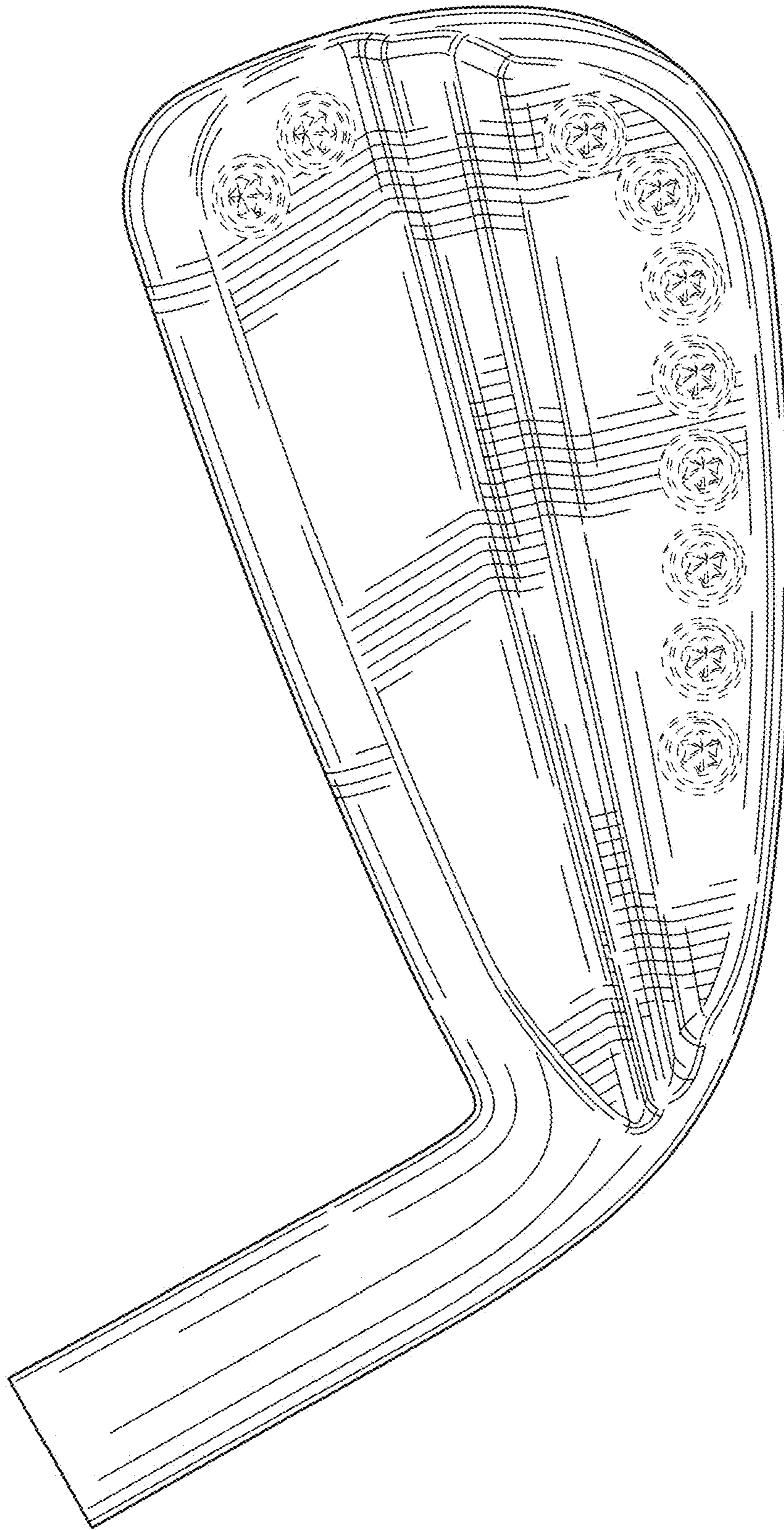


FIG. 20

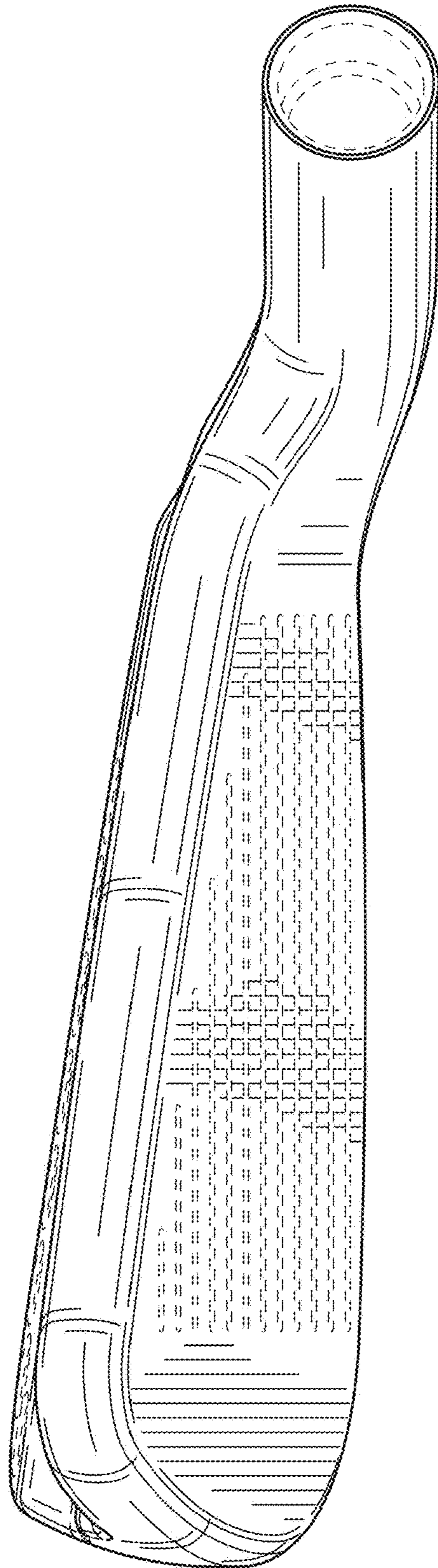


FIG. 21

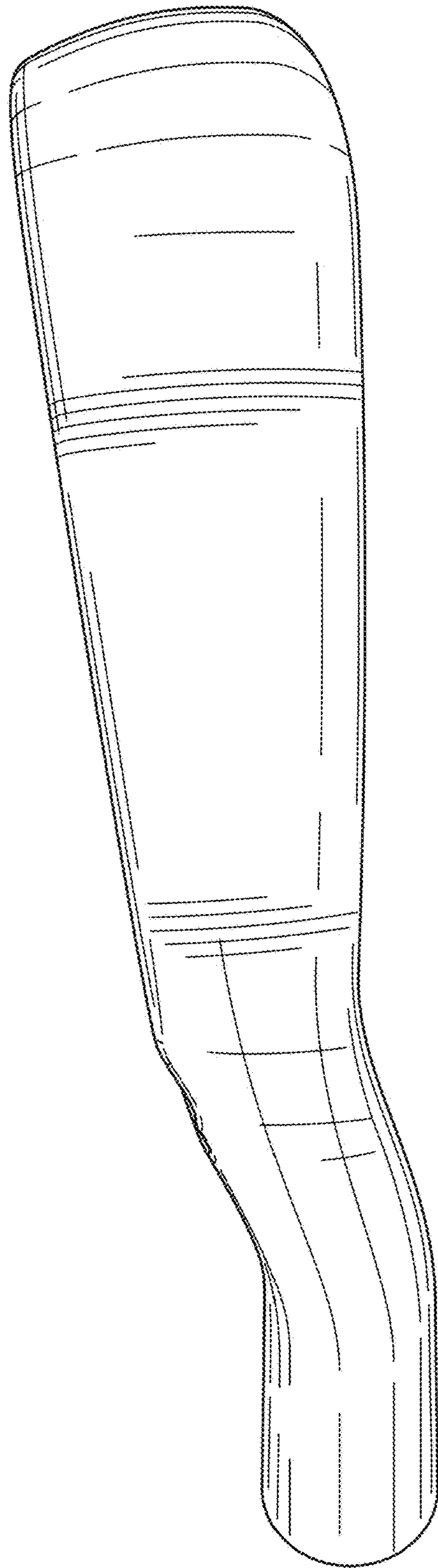


FIG. 22

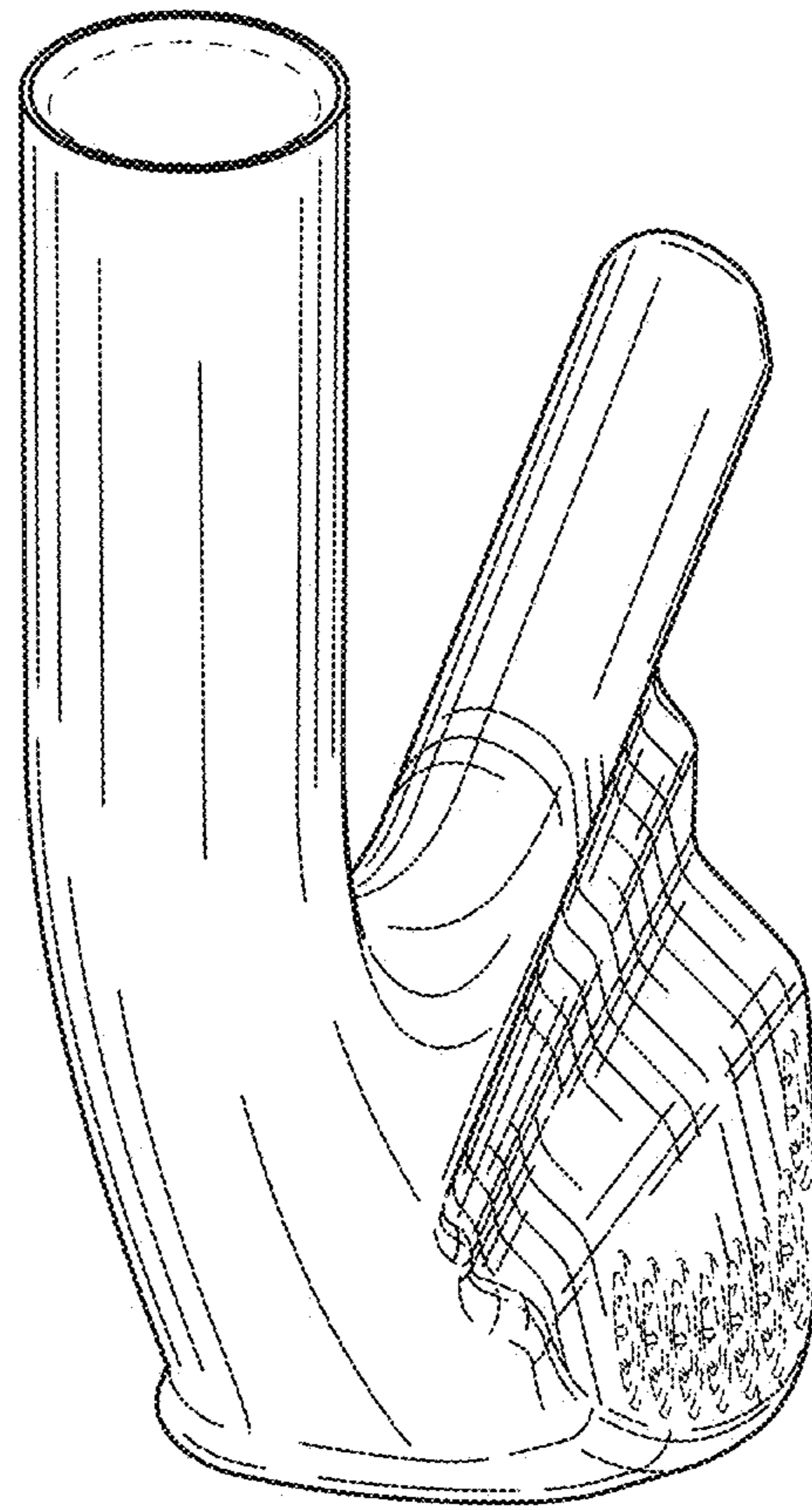


FIG. 23

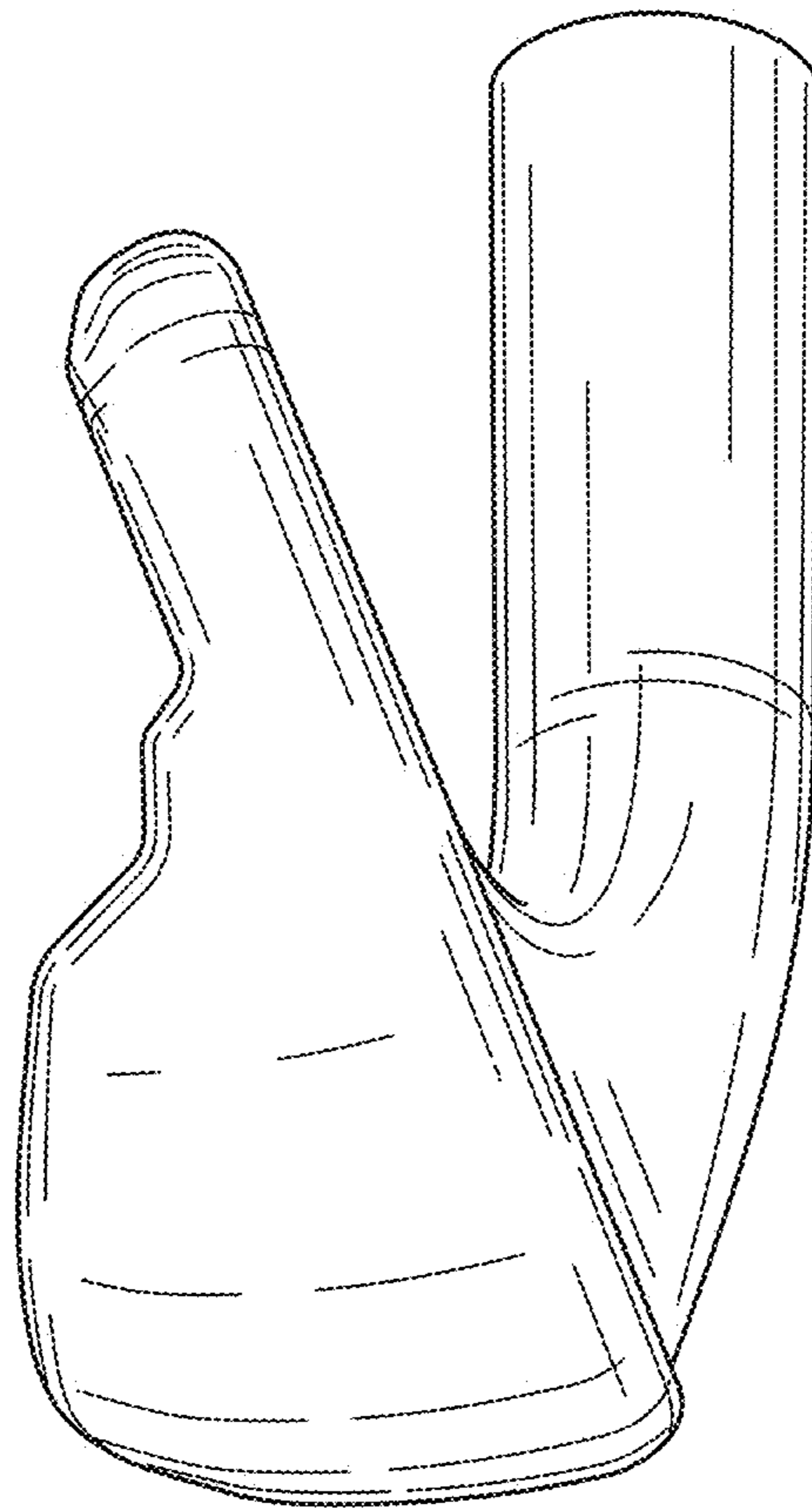


FIG. 24