



US00D835735S

(12) **United States Design Patent**
Chun et al.

(10) **Patent No.:** **US D835,735 S**

(45) **Date of Patent:** **** Dec. 11, 2018**

(54) **IRON GOLF CLUB HEAD**

(71) Applicant: **Acushnet Company**, Fairhaven, MA
(US)

(72) Inventors: **Kevin J. Chun**, Encinitas, CA (US);
Jason A. Mata, Carlsbad, CA (US)

(73) Assignee: **Acushnet Company**, Fairhaven, MA
(US)

(**) Term: **15 Years**

(21) Appl. No.: **29/615,718**

(22) Filed: **Aug. 30, 2017**

(51) **LOC (11) Cl.** **21-02**

(52) **U.S. Cl.**
USPC **D21/747**

(58) **Field of Classification Search**
USPC D21/747-751, 759
CPC A63B 53/00; A63B 53/02; A63B 53/04;
A63B 53/047; A63B 53/0475; A63B
2053/0479; A63B 2053/0483; A63B
2053/0445; A63B 60/00; A63B 60/46
See application file for complete search history.

(56) **References Cited**

U.S. PATENT DOCUMENTS

D265,114 S * 6/1982 Lyons, Jr. D21/750
D269,101 S * 5/1983 Reymann, Jr. D21/748

D415,230 S * 10/1999 Stone D21/748
D704,290 S * 5/2014 Cardani D21/759
D753,249 S * 4/2016 Song D21/749
D753,250 S * 4/2016 Song D21/749
D763,375 S * 8/2016 Chun D21/747

* cited by examiner

Primary Examiner — Mitchell I. Siegel

(74) *Attorney, Agent, or Firm* — Randy K. Chang

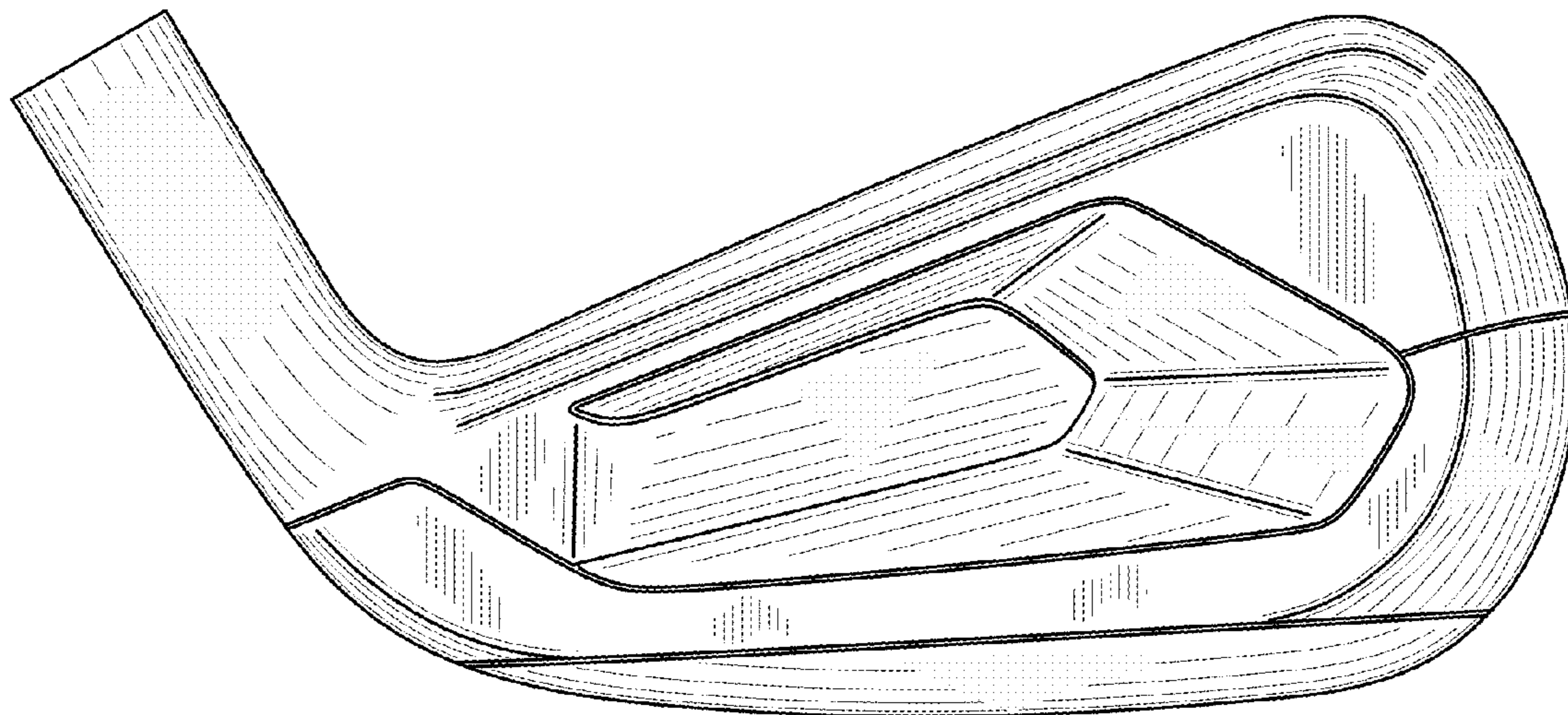
(57) **CLAIM**

The ornamental design for an iron golf club head, as shown and described.

DESCRIPTION

FIG. 1 is a back perspective view of our new design for an iron golf club head;
FIG. 2 is a front view thereof;
FIG. 3 is a top view thereof;
FIG. 4 is a back view thereof;
FIG. 5 is a bottom sole view thereof;
FIG. 6 is a toe view thereof; and,
FIG. 7 is a heel view thereof.

1 Claim, 3 Drawing Sheets



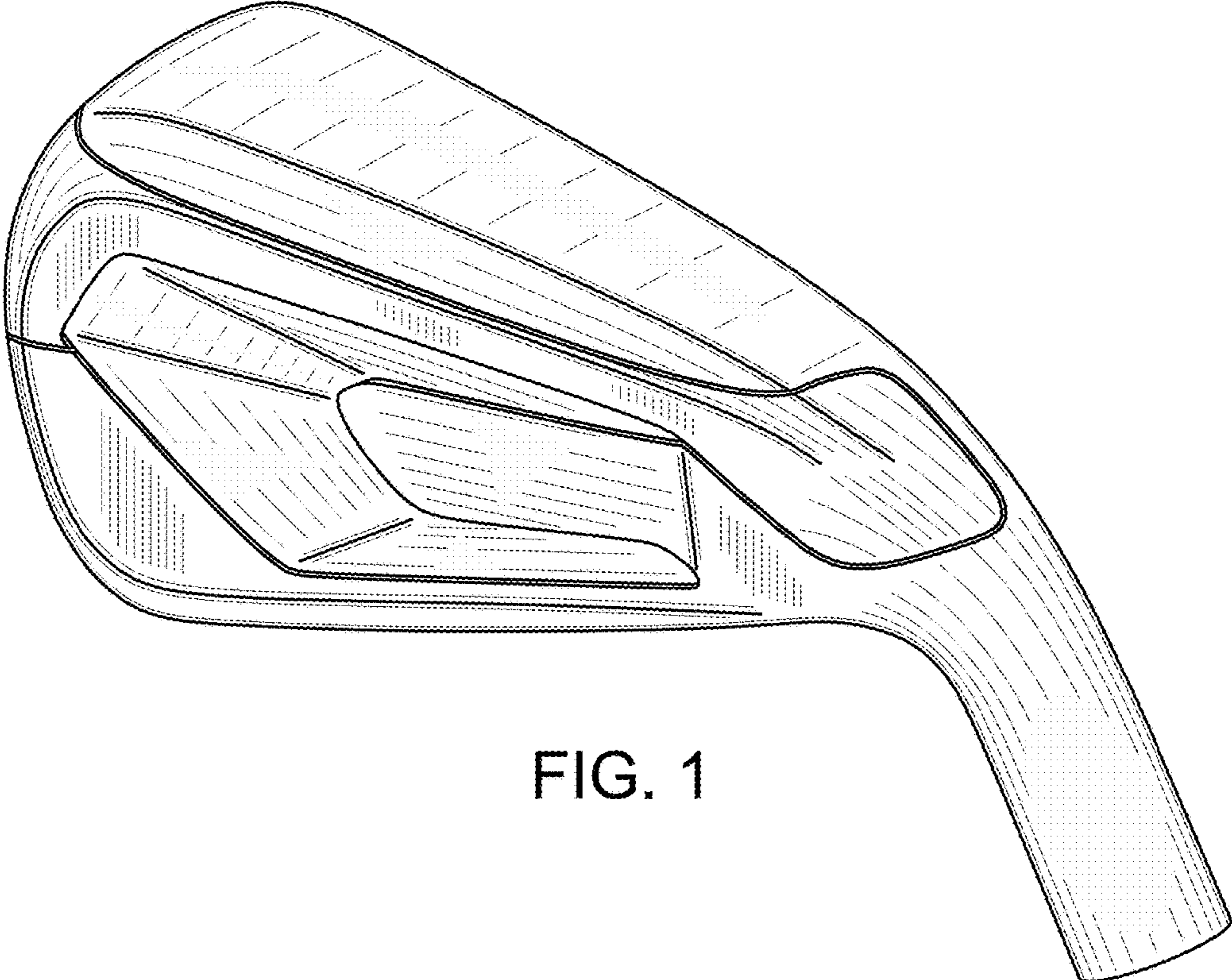


FIG. 1

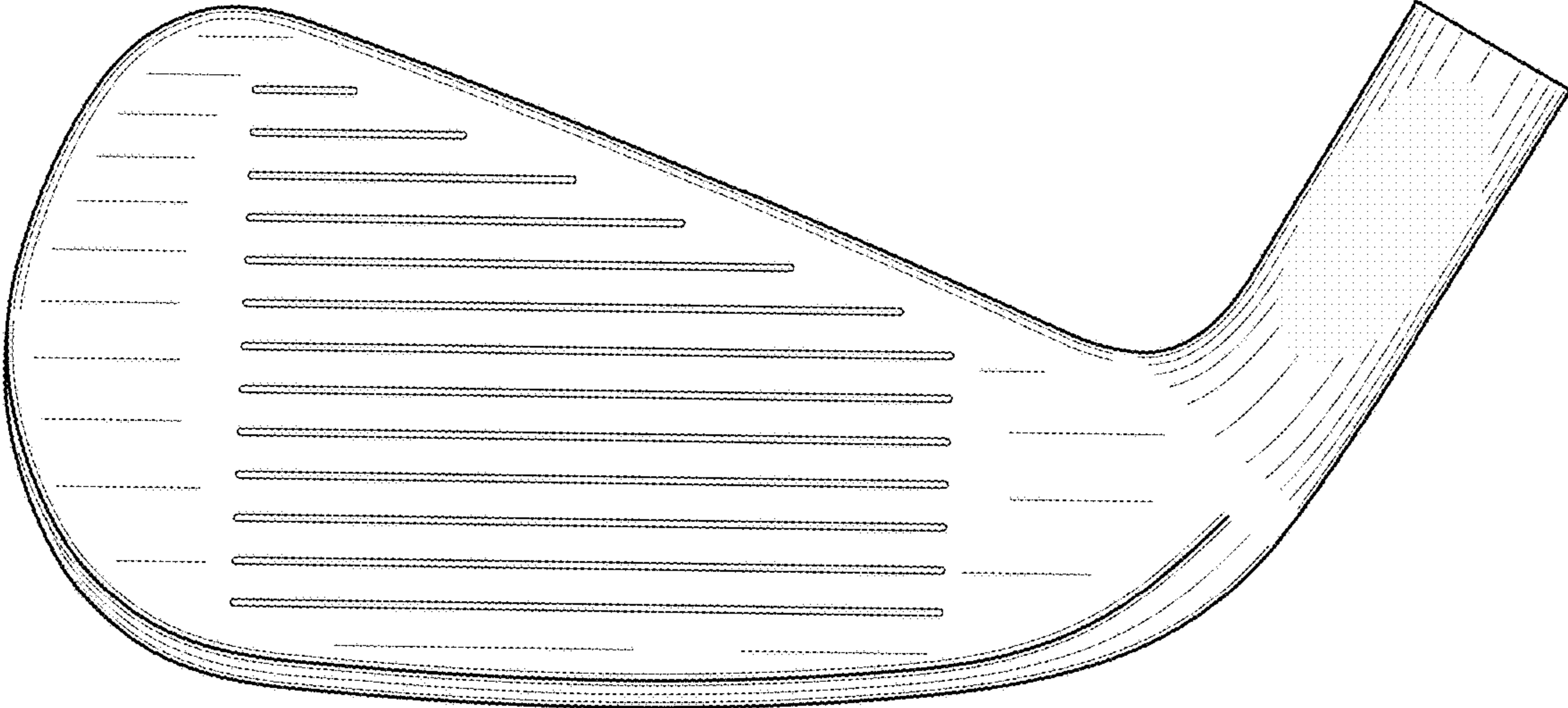


FIG. 2

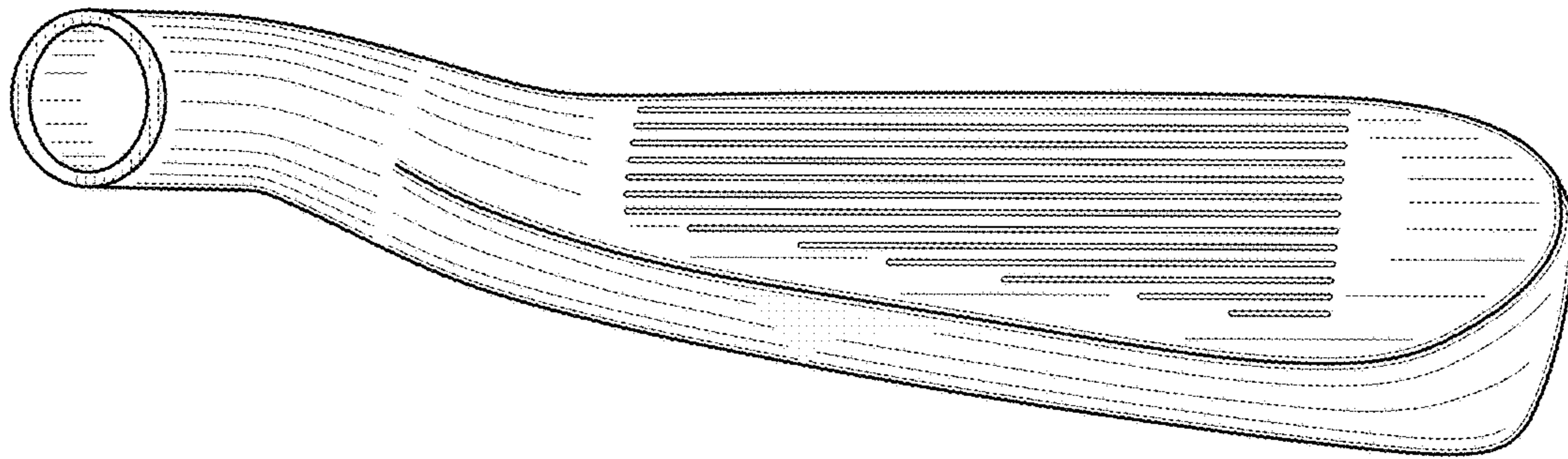


FIG. 3

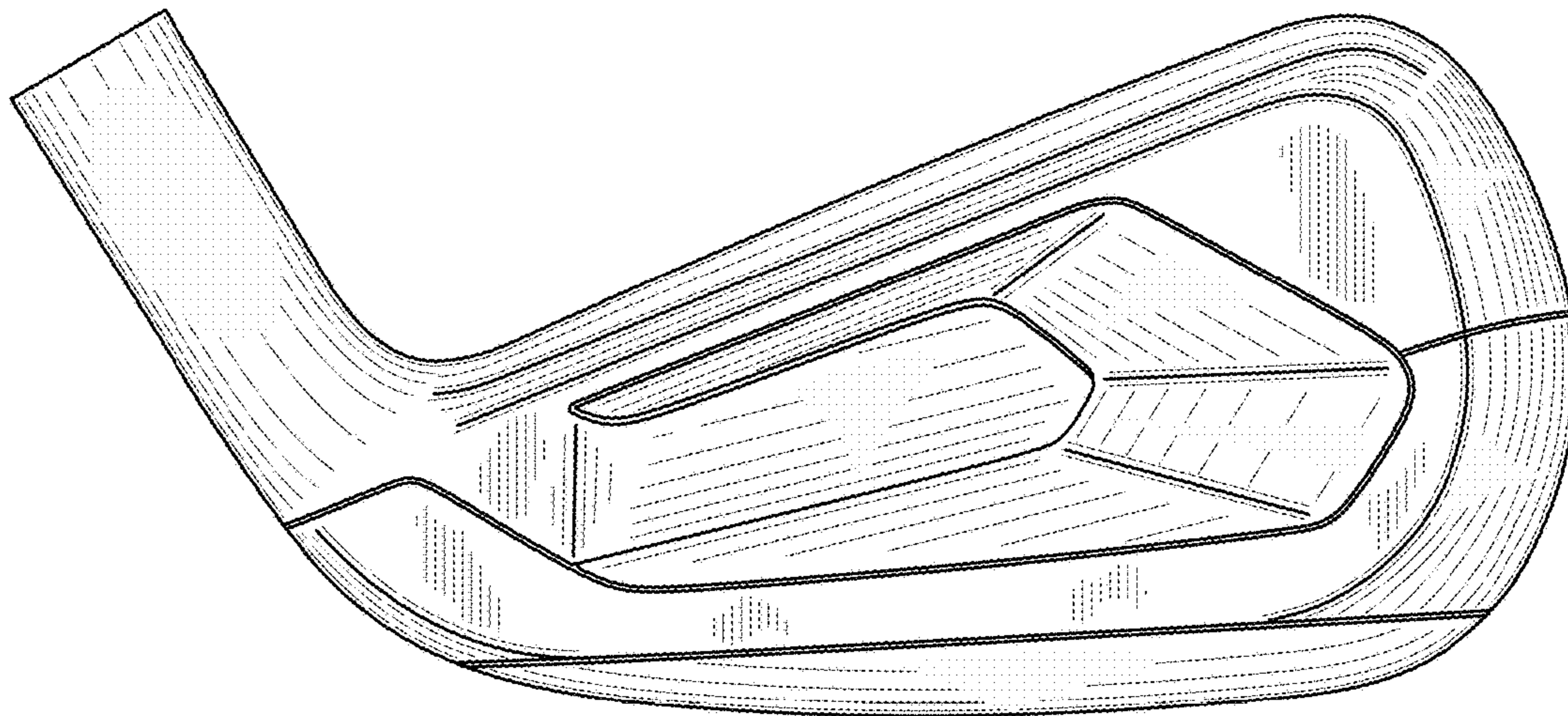


FIG. 4

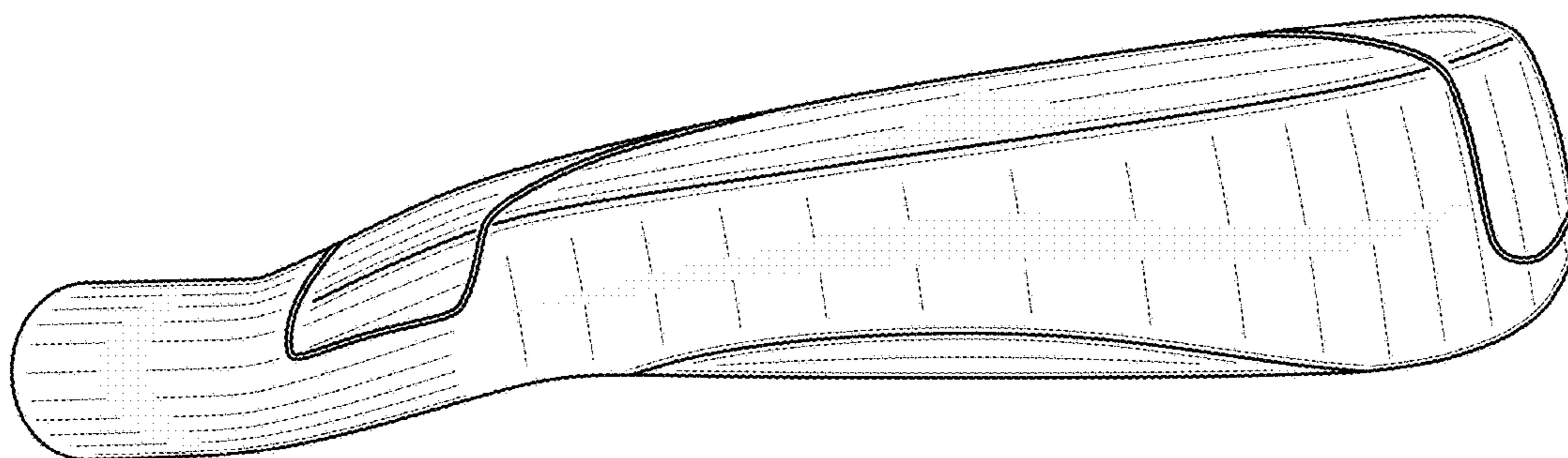


FIG. 5

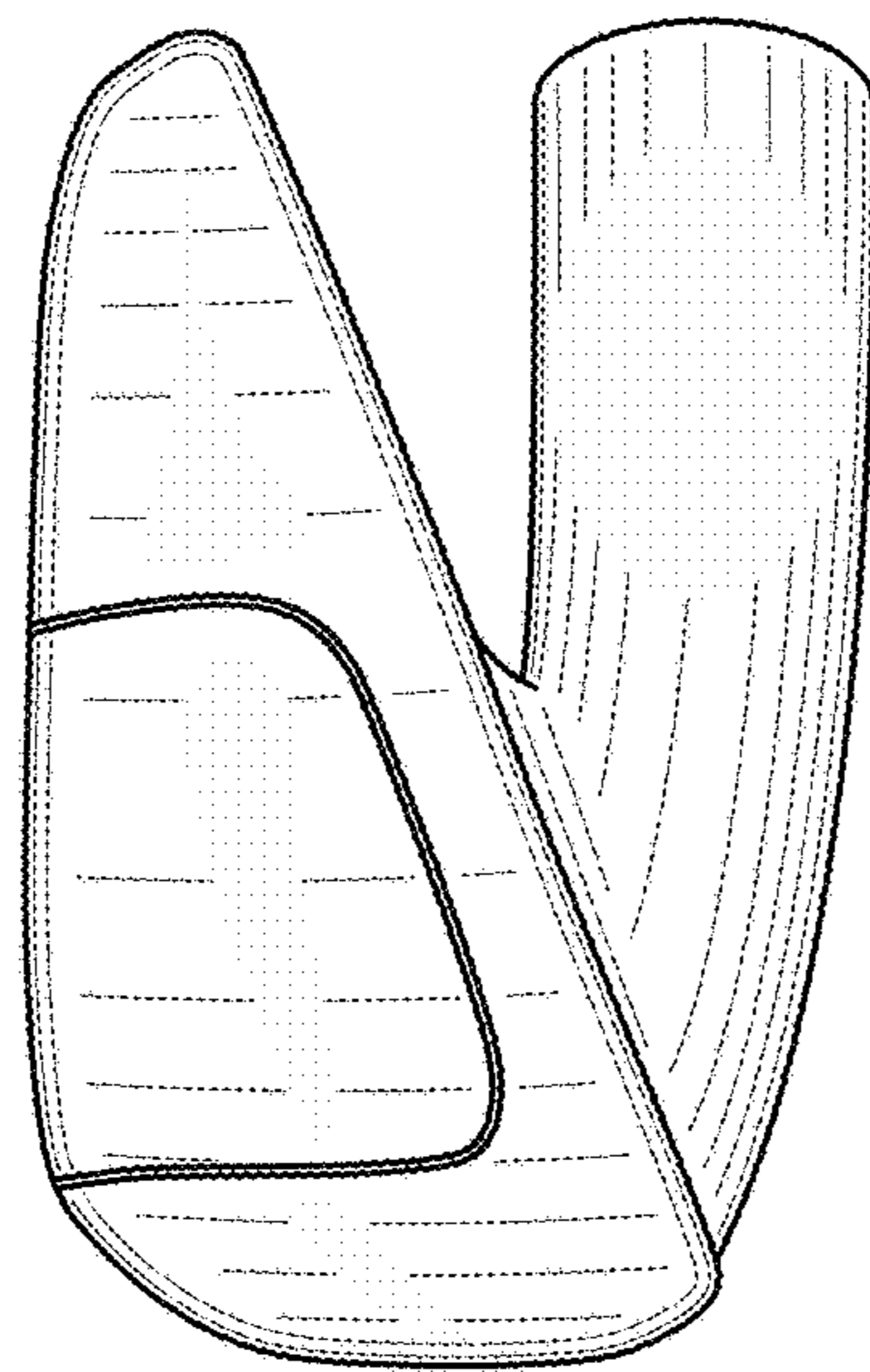


FIG. 6

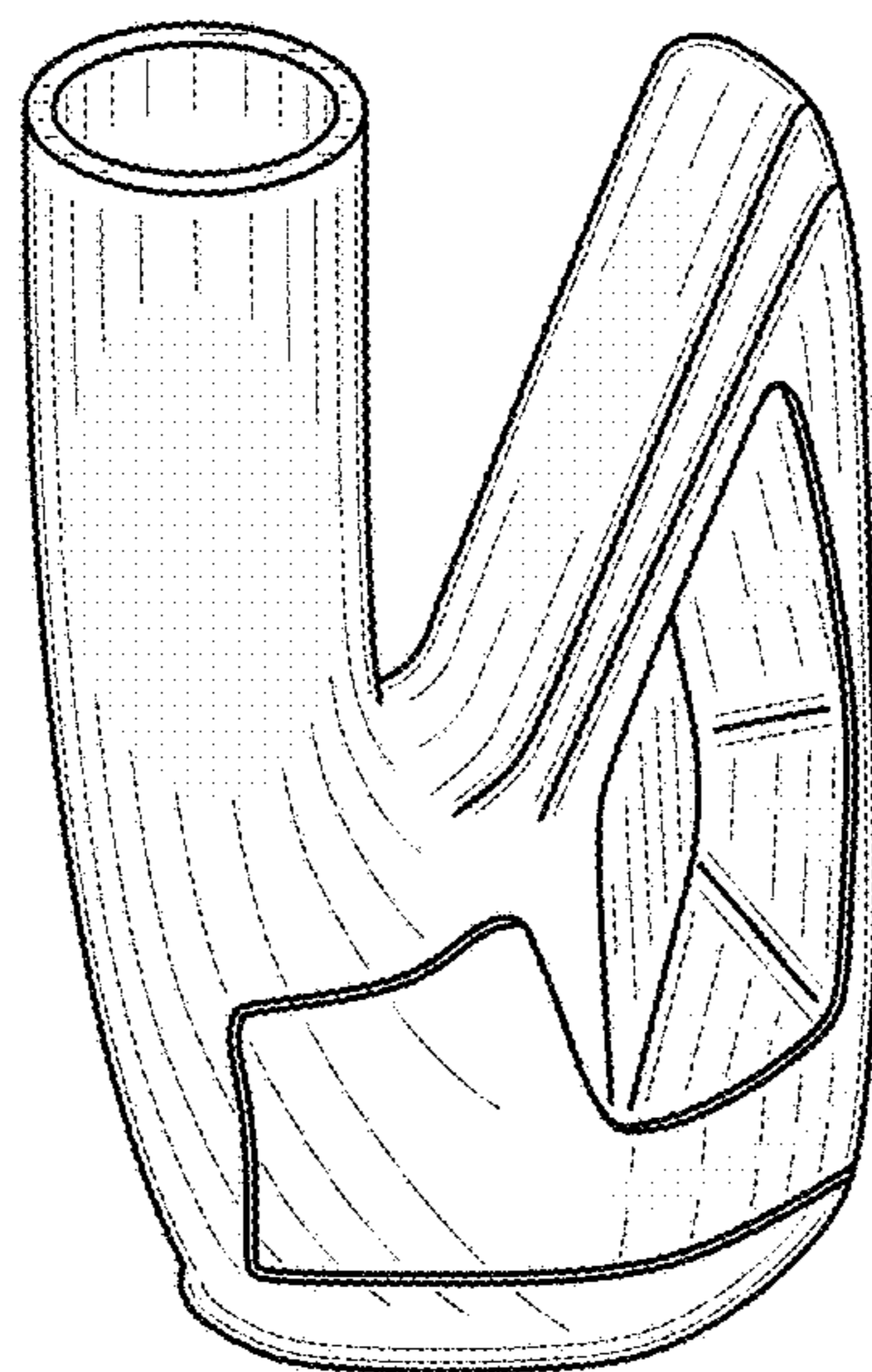


FIG. 7