



US00D835734S

(12) **United States Design Patent** (10) **Patent No.:** **US D835,734 S**  
**Milleman et al.** (45) **Date of Patent:** **\*\* Dec. 11, 2018**

(54) **GOLF CLUB HEAD**  
(71) Applicant: **Karsten Manufacturing Corporation**,  
Phoenix, AZ (US)  
(72) Inventors: **Travis D. Milleman**, Cave Creek, AZ  
(US); **Daniel K. Lee**, Chandler, AZ  
(US); **Xiaojian Chen**, Phoenix, AZ  
(US)  
(73) Assignee: **Karsten Manufacturing Corporation**,  
Phoenix, AZ (US)

(\*\*) Term: **15 Years**

(21) Appl. No.: **29/614,977**

(22) Filed: **Aug. 24, 2017**

(51) **LOC (11) Cl.** ..... **21-02**

(52) **U.S. Cl.**  
USPC ..... **D21/747**

(58) **Field of Classification Search**  
USPC ..... D21/747-751, 759  
CPC ..... A63B 53/00; A63B 53/02; A63B 53/04;  
A63B 53/047; A63B 53/0475; A63B  
2053/0479; A63B 2053/0483; A63B  
2053/0445; A63B 60/00; A63B 60/46  
See application file for complete search history.

(56) **References Cited**

**U.S. PATENT DOCUMENTS**

D55,278 S 5/1920 Krauter  
D234,608 S 3/1975 Raymont  
D240,841 S 8/1976 Solheim  
D256,264 S 8/1980 Solheim  
4,355,808 A 10/1982 Jernigan  
D276,644 S 12/1984 Solheim  
5,014,993 A 5/1991 Antonious  
D318,512 S 7/1991 Piotrowski  
5,048,834 A 9/1991 Gorman

D330,577 S 10/1992 Solheim  
D332,812 S 1/1993 Solheim  
D344,778 S 3/1994 Solheim  
D353,644 S \* 12/1994 Hirsch ..... D21/748  
D357,293 S 4/1995 Solheim  
D357,294 S 4/1995 Solheim  
D362,041 S 9/1995 Takahashi  
D368,127 S 3/1996 Solheim  
D379,393 S 5/1997 Kubica  
D383,819 S 9/1997 Takahashi  
5,665,013 A 9/1997 Kobayashi  
5,676,605 A 10/1997 Kobayashi  
D386,550 S 11/1997 Wright  
D386,551 S 11/1997 Solheim  
D387,405 S 12/1997 Solheim  
D388,486 S 12/1997 Mahaffey  
D390,617 S 2/1998 Solheim  
D392,356 S 3/1998 Burrows  
D394,290 S \* 5/1998 Best ..... D21/748  
D398,687 S 9/1998 Miyajima

(Continued)

*Primary Examiner* — Mitchell I. Siegel

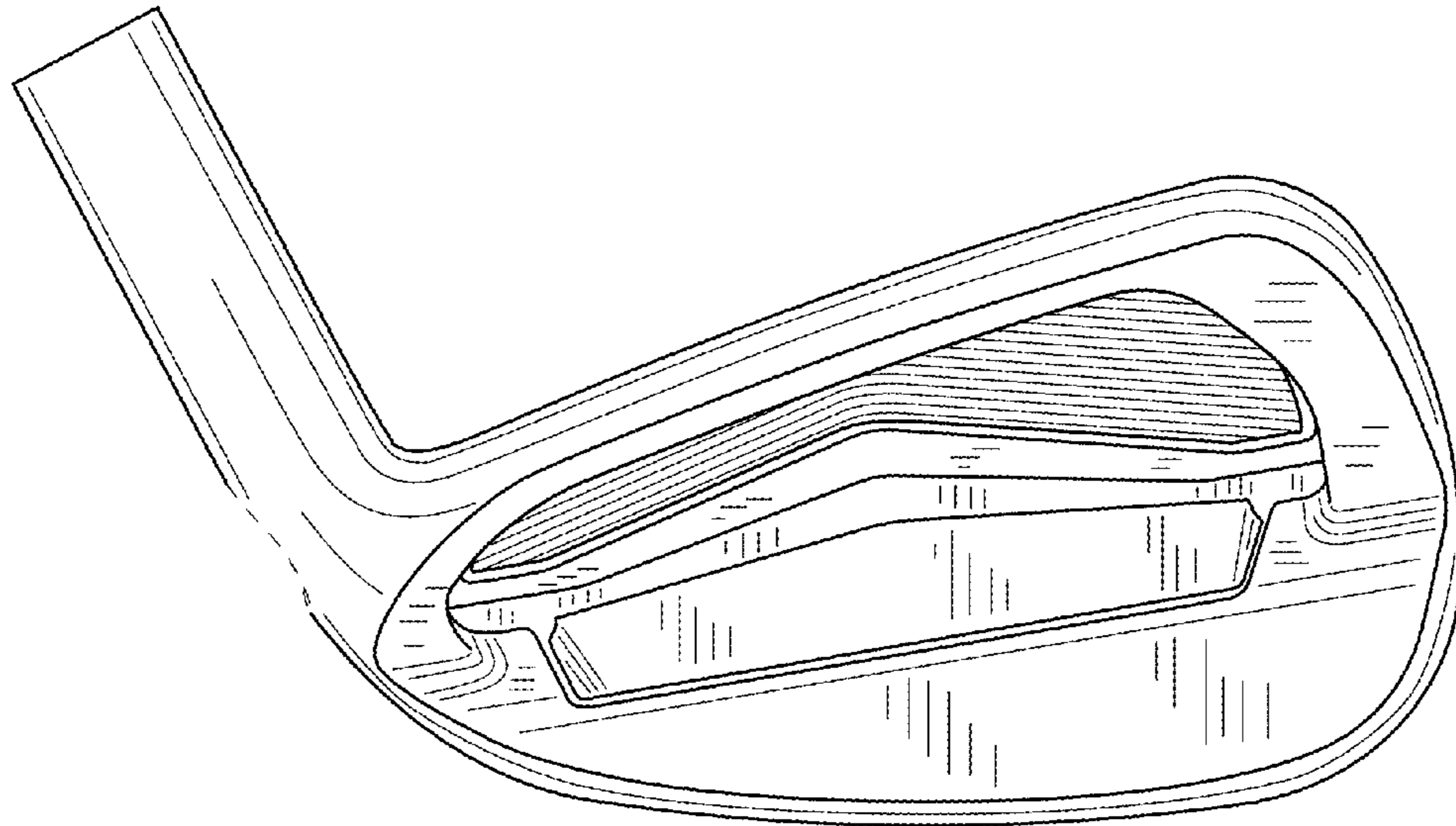
(57) **CLAIM**

The ornamental design for a golf club head, as shown and described.

**DESCRIPTION**

FIG. 1 is a front perspective view of a golf club head;  
FIG. 2 is a rear perspective view of the golf club head of  
FIG. 1;  
FIG. 3 is a front view of the golf club head of FIG. 1;  
FIG. 4 is a rear view of the golf club head of FIG. 1;  
FIG. 5 is a top view of the golf club head of FIG. 1;  
FIG. 6 is a bottom view of the golf club head of FIG. 1;  
FIG. 7 is a heel view of the golf club head of FIG. 1; and,  
FIG. 8 is a toe view of the golf club head of FIG. 1.  
The broken lines shown in one or more of the figures are for  
illustrative purposes only and form no part of the claimed  
design.

**1 Claim, 4 Drawing Sheets**



(56)

References Cited

U.S. PATENT DOCUMENTS

D401,637 S *	11/1998	Best .....	D21/747	D540,898 S	4/2007	Solheim	
D411,272 S	6/1999	Burrow		D541,360 S	4/2007	Schweigert	
5,921,869 A	7/1999	Blough		7,207,900 B2	4/2007	Nicolette	
D413,369 S *	8/1999	Peng .....	D21/748	D544,056 S	6/2007	Nicolette	
D418,184 S	12/1999	Kubica		D553,699 S	10/2007	Nunez et al.	
D421,784 S	3/2000	Kubica		D554,212 S	10/2007	Nunez	
D422,043 S	3/2000	Kubica		D554,218 S	10/2007	Ruggiero	
D428,635 S	7/2000	Nagai		D559,931 S	1/2008	Roach	
D429,298 S	8/2000	Butler		D561,855 S	2/2008	Schweigert	
D429,299 S	8/2000	Kubica		D562,925 S	2/2008	Schweigert	
D437,902 S	2/2001	Persinger		D569,932 S	5/2008	Peterman	
D437,906 S	2/2001	Gilbert		D570,435 S	6/2008	Sanchez	
D442,659 S	5/2001	Kubica		D570,935 S	6/2008	Nicolette	
D443,008 S	5/2001	Kubica		D570,936 S	6/2008	Schweigert	
D444,195 S	6/2001	Wahl		D571,422 S	6/2008	Schweigert	
D445,157 S	7/2001	Jones		D571,881 S	6/2008	Nicolette	
D454,932 S	3/2002	Mahaffey et al.		D572,326 S	7/2008	Schweigert	
D458,328 S	6/2002	Solheim		D572,329 S	7/2008	Nicolette	
D465,253 S *	11/2002	Best .....	D21/759	D573,219 S	7/2008	Schweigert	
D466,961 S	12/2002	Nagai		7,396,299 B2	7/2008	Nicolette	
D467,292 S	12/2002	Saraie		D577,783 S	9/2008	Schweigert	
D468,788 S *	1/2003	Bode .....	D21/748	D578,590 S	10/2008	Schweigert	
D469,140 S *	1/2003	Best .....	D21/759	D581,000 S	11/2008	Nicolette	
D469,834 S	2/2003	Saraie		D596,256 S	7/2009	Schweigert	
D473,605 S	4/2003	Peterson		D596,257 S	7/2009	Jertson	
D475,108 S *	5/2003	Madore .....	D21/759	D597,158 S	7/2009	Schweigert	
D476,708 S	7/2003	Wahl		D601,216 S	9/2009	Jertson	
D487,127 S *	2/2004	Madore .....	D21/747	D604,783 S	11/2009	Nicolette	
6,695,714 B1	2/2004	Bliss		D607,073 S	12/2009	Jertson	
D487,491 S	3/2004	Madore et al.		D621,893 S *	8/2010	Nicolette .....	D21/759
D487,492 S	3/2004	Madore et al.		D621,894 S	8/2010	Schweigert	
D487,493 S	3/2004	Madore et al.		D621,895 S	8/2010	Schweigert	
D488,203 S	4/2004	Madore et al.		D627,410 S	11/2010	Nicolette	
D489,106 S	4/2004	Wahl		D635,627 S	4/2011	Nicolette	
D492,376 S	6/2004	Nicolette		D643,491 S	8/2011	Stokke	
D494,240 S	8/2004	Schweigert		D643,896 S	8/2011	Jertson	
D494,648 S	8/2004	Schweigert		D645,103 S *	9/2011	Llewellyn .....	D21/759
D500,350 S	12/2004	Schweigert		D647,582 S	10/2011	Nicolette	
D500,351 S	12/2004	Schweigert		D647,986 S *	11/2011	Atwell .....	D21/747
D501,035 S	1/2005	Wahl		D669,947 S	10/2012	Kim et al.	
D502,237 S	2/2005	Schweigert		D672,417 S	12/2012	Jertson	
D502,975 S	3/2005	Schweigert		D680,603 S *	4/2013	Nicolette .....	D21/749
D503,204 S	3/2005	Nicolette		D681,143 S	4/2013	Nicolette	
D504,924 S	5/2005	Madore et al.		D682,959 S	5/2013	Saraie et al.	
D504,925 S	5/2005	Schweigert		D682,960 S *	5/2013	Voshall .....	D21/747
D505,171 S	5/2005	Schweigert		D682,961 S *	5/2013	Llewellyn .....	D21/747
D507,614 S	7/2005	Schweigert		D682,962 S *	5/2013	Llewellyn .....	D21/747
6,921,344 B2	7/2005	Gilbert		8,574,094 B2	11/2013	Nicolette	
D508,099 S	8/2005	Schweigert		8,657,700 B2 *	2/2014	Nicolette .....	A63B 53/047 473/291
D514,183 S	1/2006	Schweigert		8,690,710 B2	4/2014	Nicolette et al.	
D516,152 S	2/2006	Madore		D715,881 S *	10/2014	Roche .....	D21/759
D516,649 S *	3/2006	Imamoto .....	D21/747	D733,819 S	7/2015	Dolezel	
D517,625 S	3/2006	Sanchez		D767,695 S	9/2016	Kitching, Jr.	
D517,629 S *	3/2006	Madore .....	D21/759	D768,249 S	10/2016	Chun	
D519,179 S	4/2006	Roberts		D791,892 S *	7/2017	Stokke .....	D21/747
D523,501 S	6/2006	Nicolette		D805,146 S *	12/2017	Clarke .....	D21/747
D530,759 S	10/2006	Nicolette		D810,215 S *	2/2018	Bacon .....	D21/747
D530,760 S	10/2006	Schweigert		2003/0119602 A1	6/2003	Kennedy, III	
7,125,343 B2	10/2006	Imamoto		2005/0009632 A1	1/2005	Schweigert	
D532,849 S	11/2006	Nicolette		2005/0096156 A1	5/2005	Chen	
D534,228 S	12/2006	Nicolette		2006/0258480 A1	11/2006	Hou	
D534,595 S *	1/2007	Hasebe .....	D21/747	2007/0117653 A1	5/2007	Yoneyama	
D534,597 S	1/2007	Nicolette		2007/0225084 A1	9/2007	Schweigert	
D536,759 S	2/2007	Schweigert		2008/0300065 A1	12/2008	Schweigert	
D537,494 S	2/2007	Jertson		2009/0029790 A1	1/2009	Nicolette	
D538,366 S	3/2007	Nicolette		2009/0029791 A1	1/2009	Solheim	
D539,862 S *	4/2007	Nunez .....	D21/748	2009/0118033 A1	5/2009	Nakamura	
D539,864 S	4/2007	Nicolette		2009/0149277 A1	6/2009	Deng	
				2010/0178999 A1	7/2010	Nicolette	

\* cited by examiner

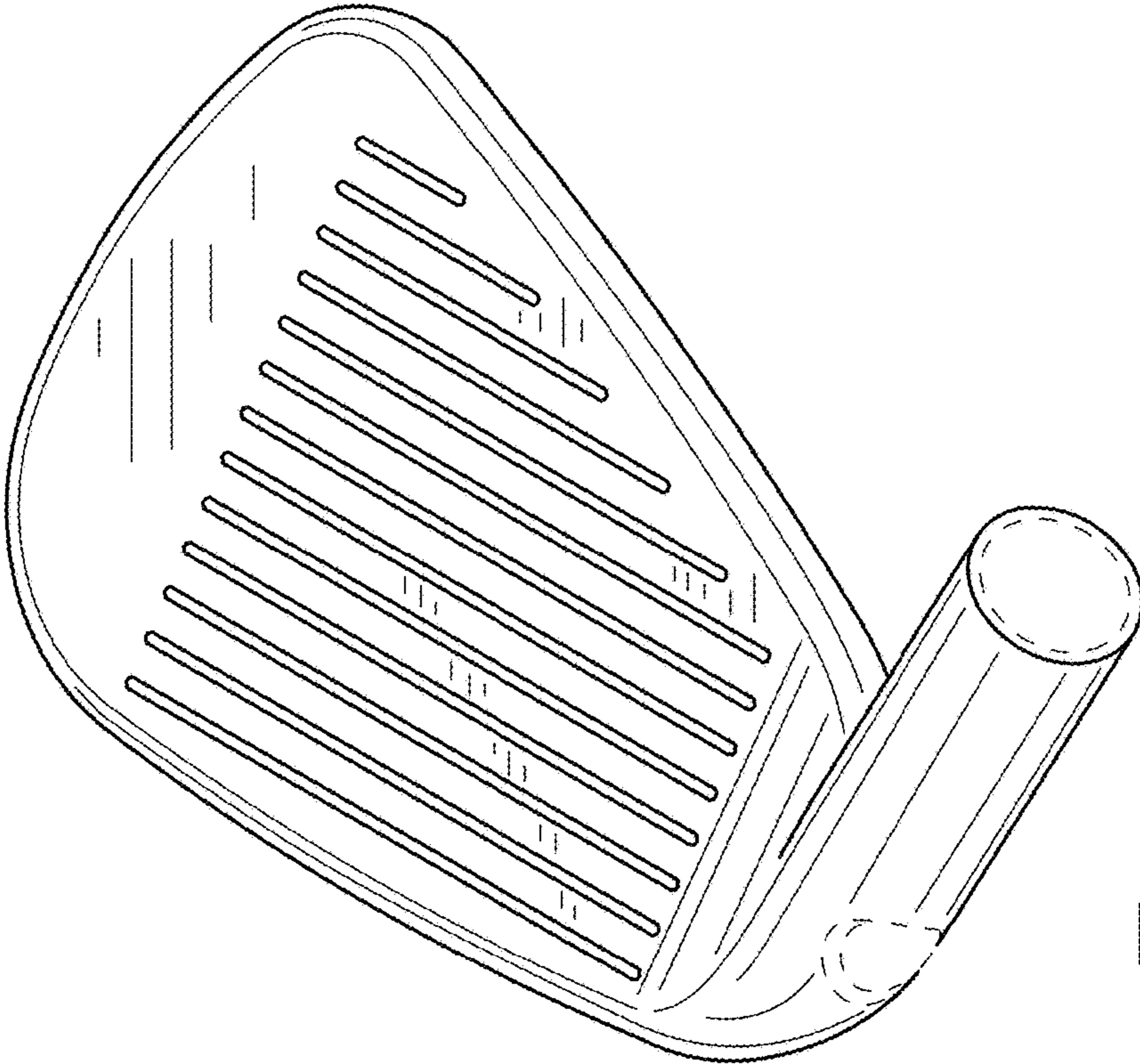


FIG. 1

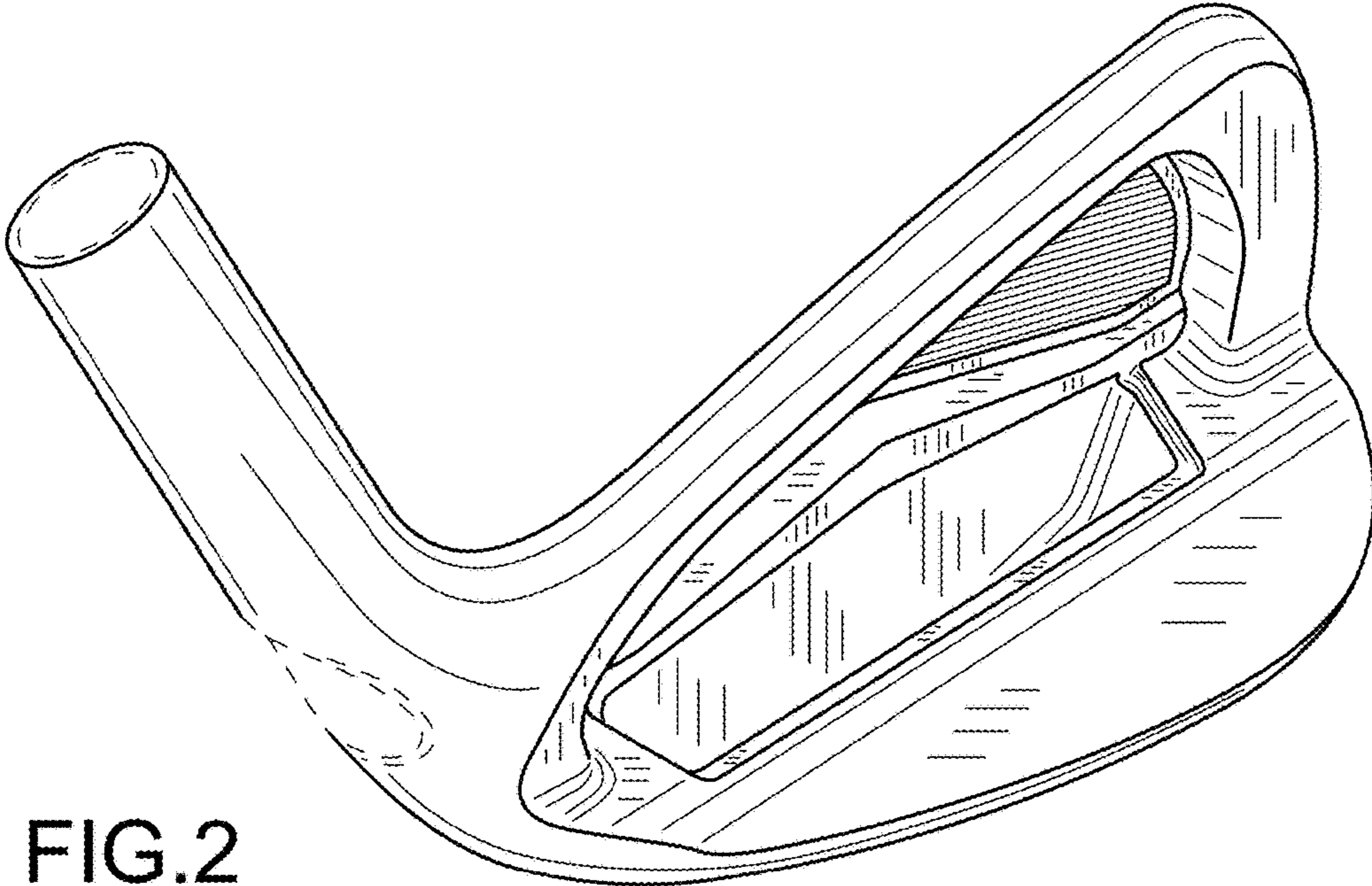


FIG. 2

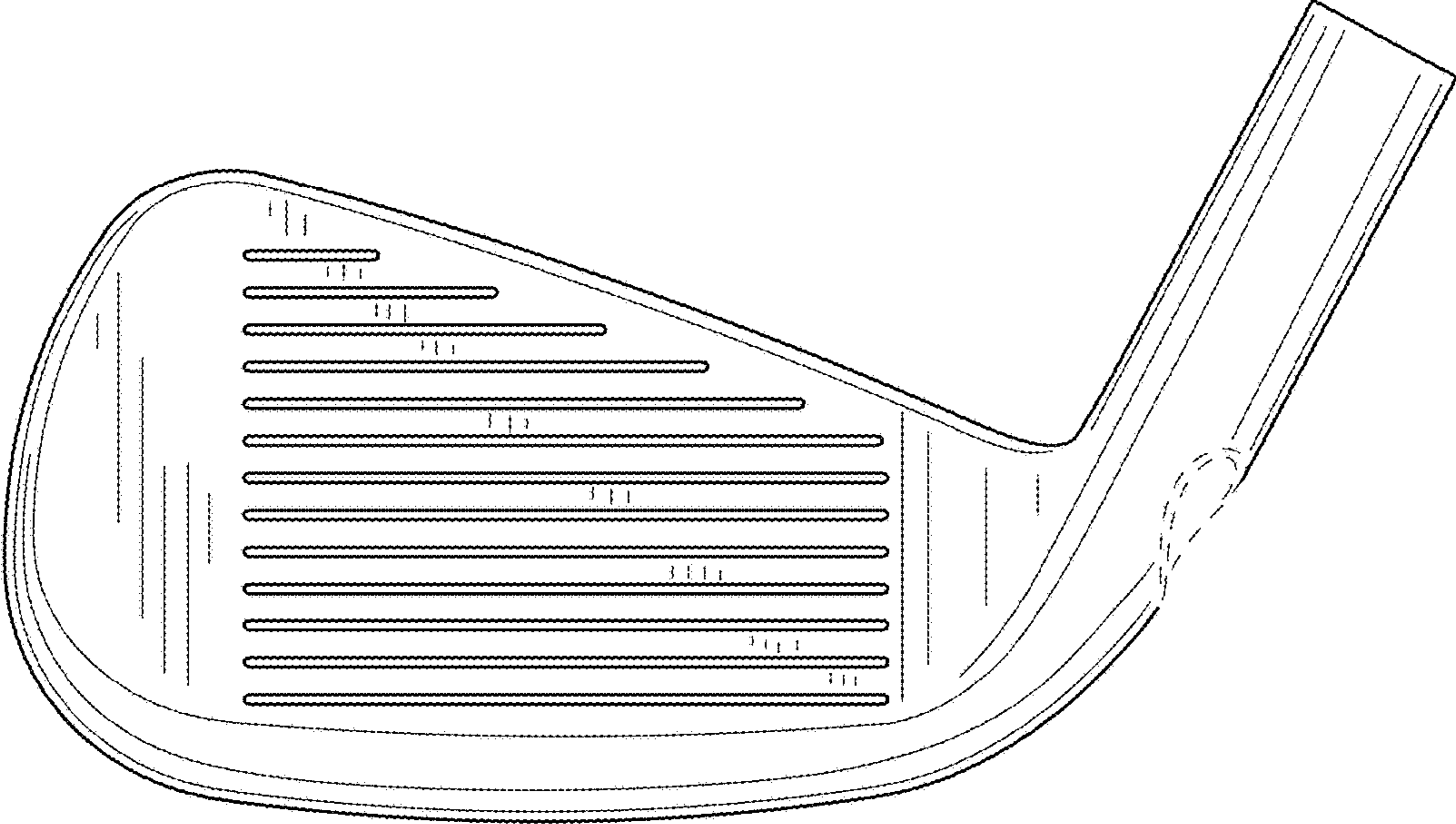


FIG.3

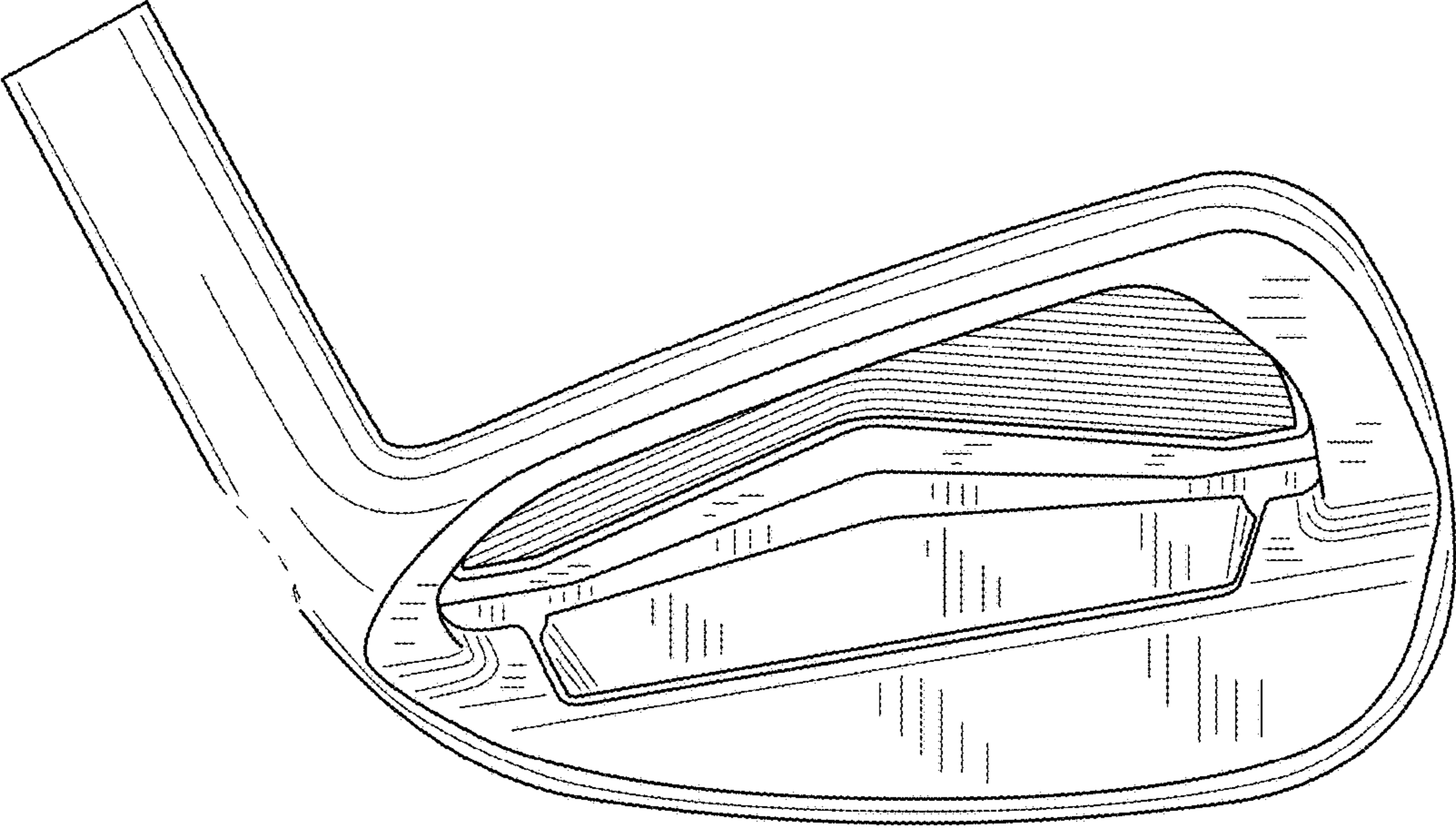


FIG.4

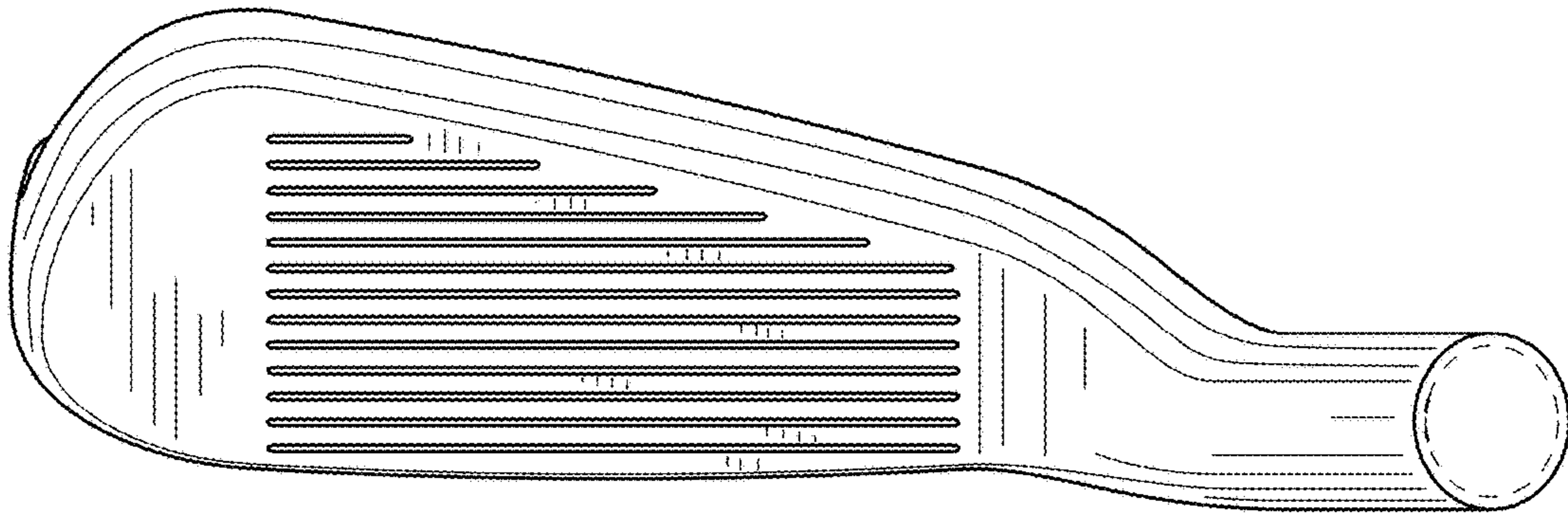


FIG. 5

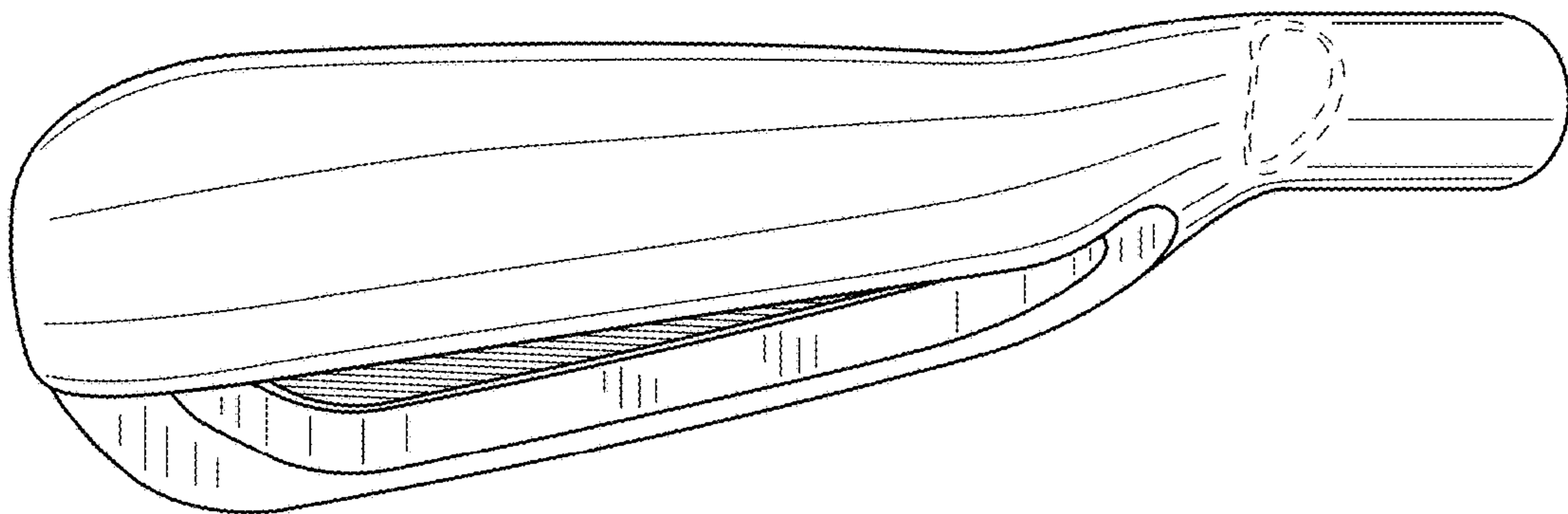


FIG. 6

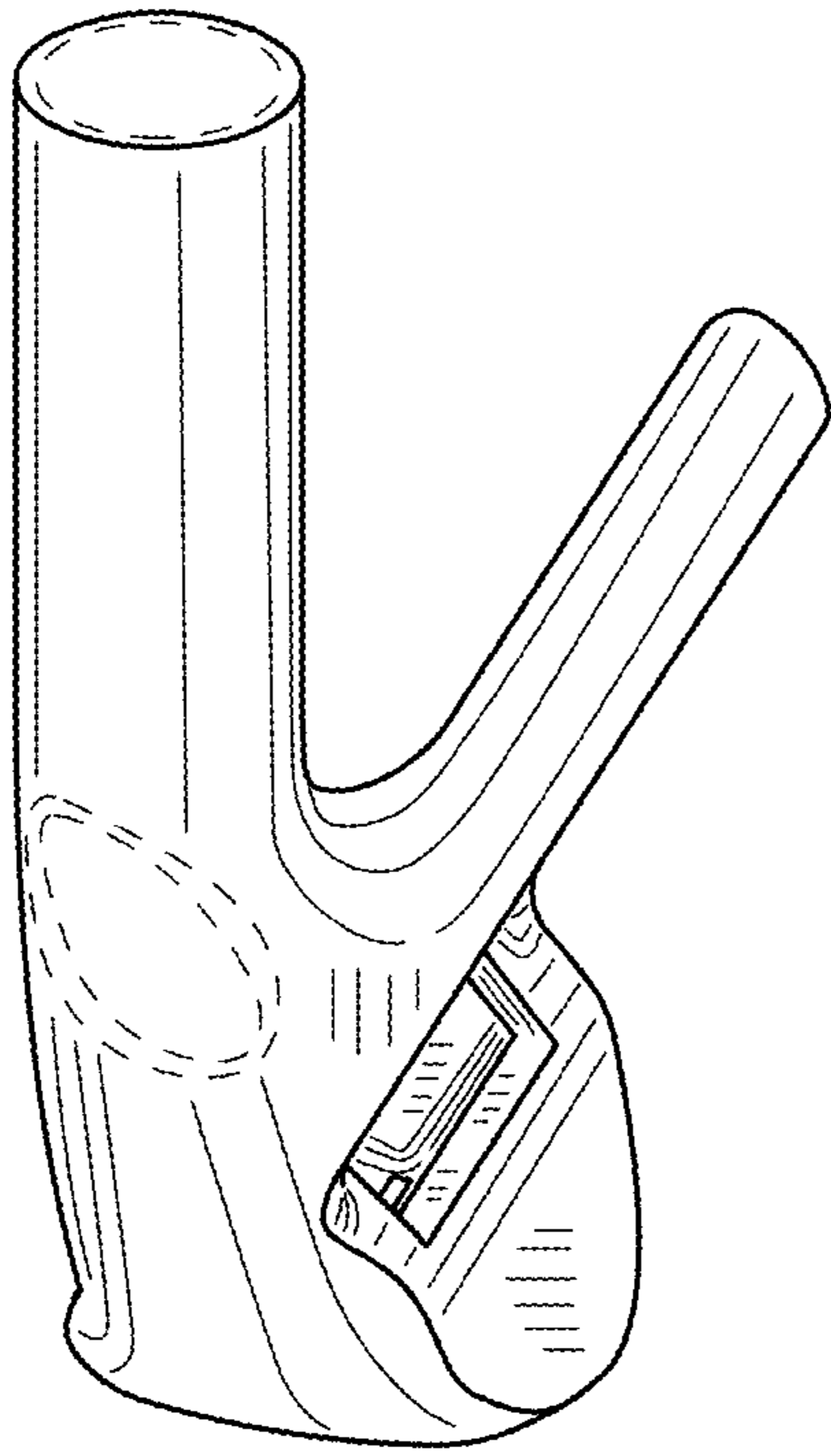


FIG. 7

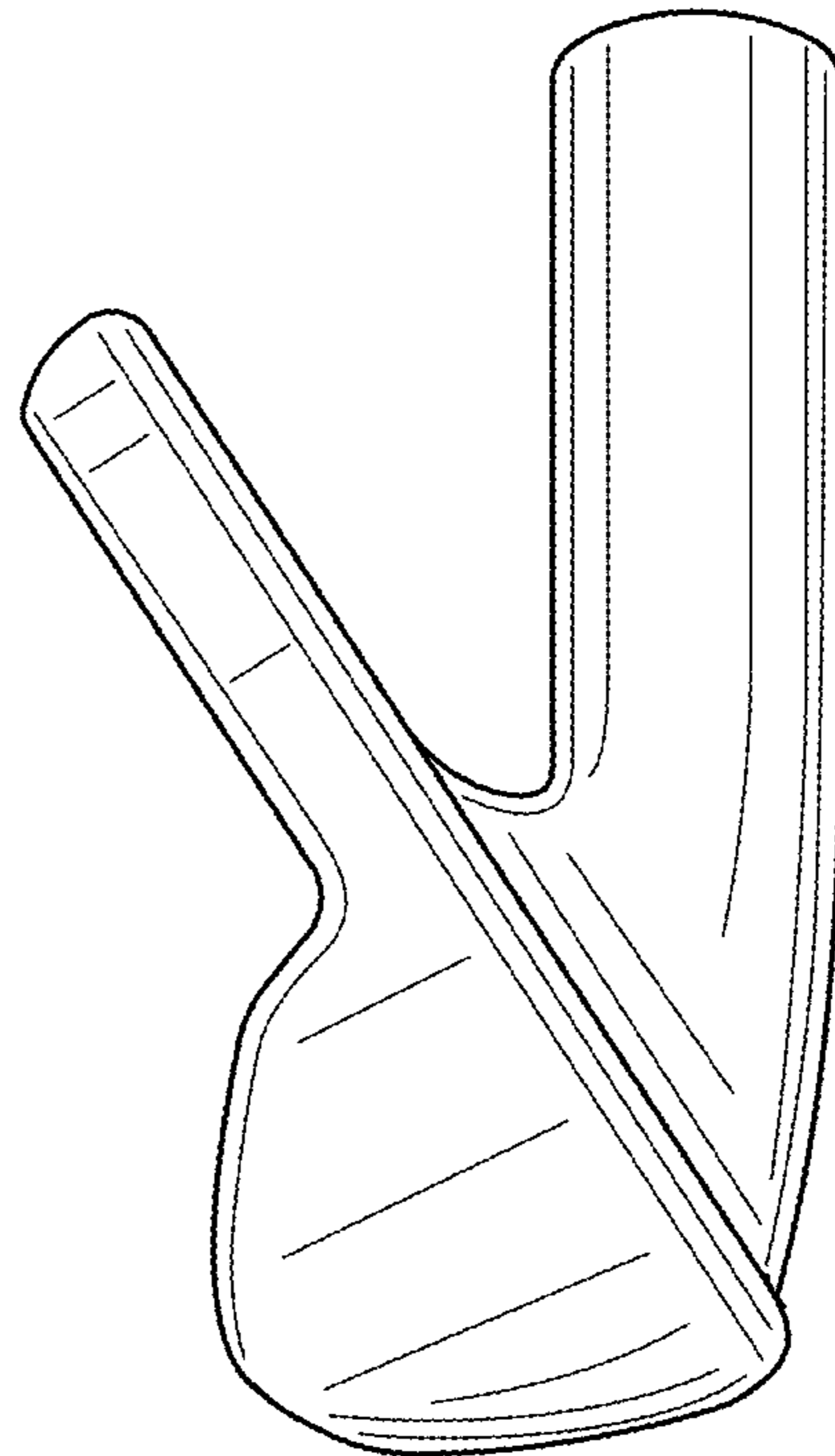


FIG. 8