



US00D835729S

(12) **United States Design Patent**
Semling et al.

(10) **Patent No.:** **US D835,729 S**

(45) **Date of Patent:** **** Dec. 11, 2018**

(54) **TOY BUILDING BRICK**

(71) Applicant: **Brian's Toys Inc.**, Fountain City, WI
(US)

(72) Inventors: **Brian Semling**, Fountain City, WI
(US); **Joshua M. Cherry**, Winona, MN
(US); **Akon Lee**, Dongguan (CN); **Jim Law**, Dongguan (CN)

(**) Term: **15 Years**

(21) Appl. No.: **29/630,985**

(22) Filed: **Dec. 26, 2017**

(51) **LOC (11) Cl.** **21-01**

(52) **U.S. Cl.**
USPC **D21/499**

(58) **Field of Classification Search**
USPC D21/333, 373, 386, 389, 404, 468, 470,
D21/471, 475, 484-505; D3/304, 314;
D24/101; D9/640
CPC A63H 33/04; A63H 33/06; A63H 33/062;
A63H 33/08; A63H 33/088; A63F 9/12;
A63F 9/1224
See application file for complete search history.

(56) **References Cited**

U.S. PATENT DOCUMENTS

D296,342 S * 6/1988 Knudsen D21/499
D336,666 S * 6/1993 Knudsen D21/501
D343,427 S * 1/1994 Sher 446/128
D413,636 S * 9/1999 Laserna Fernandez D21/499
D512,108 S * 11/2005 Lin D21/499

7,347,028 B1 * 3/2008 Bin-Nun A63H 33/086
446/112
D614,248 S * 4/2010 Pedersen D21/499
D630,685 S * 1/2011 Bodin D21/499
D702,774 S * 4/2014 Wizenberg D21/499
D741,414 S * 10/2015 Lu D21/499
D760,324 S * 6/2016 Akimoto D21/499
D765,189 S * 8/2016 Kiribuchi D21/499
D776,205 S * 1/2017 Facey D21/499
D806,179 S * 12/2017 Simonds D21/499
D806,180 S * 12/2017 Simonds D21/499
D806,804 S * 1/2018 Simonds D21/499
2005/0191932 A1 * 9/2005 Lin A63H 33/086
446/85

* cited by examiner

Primary Examiner — Cynthia M. Chin

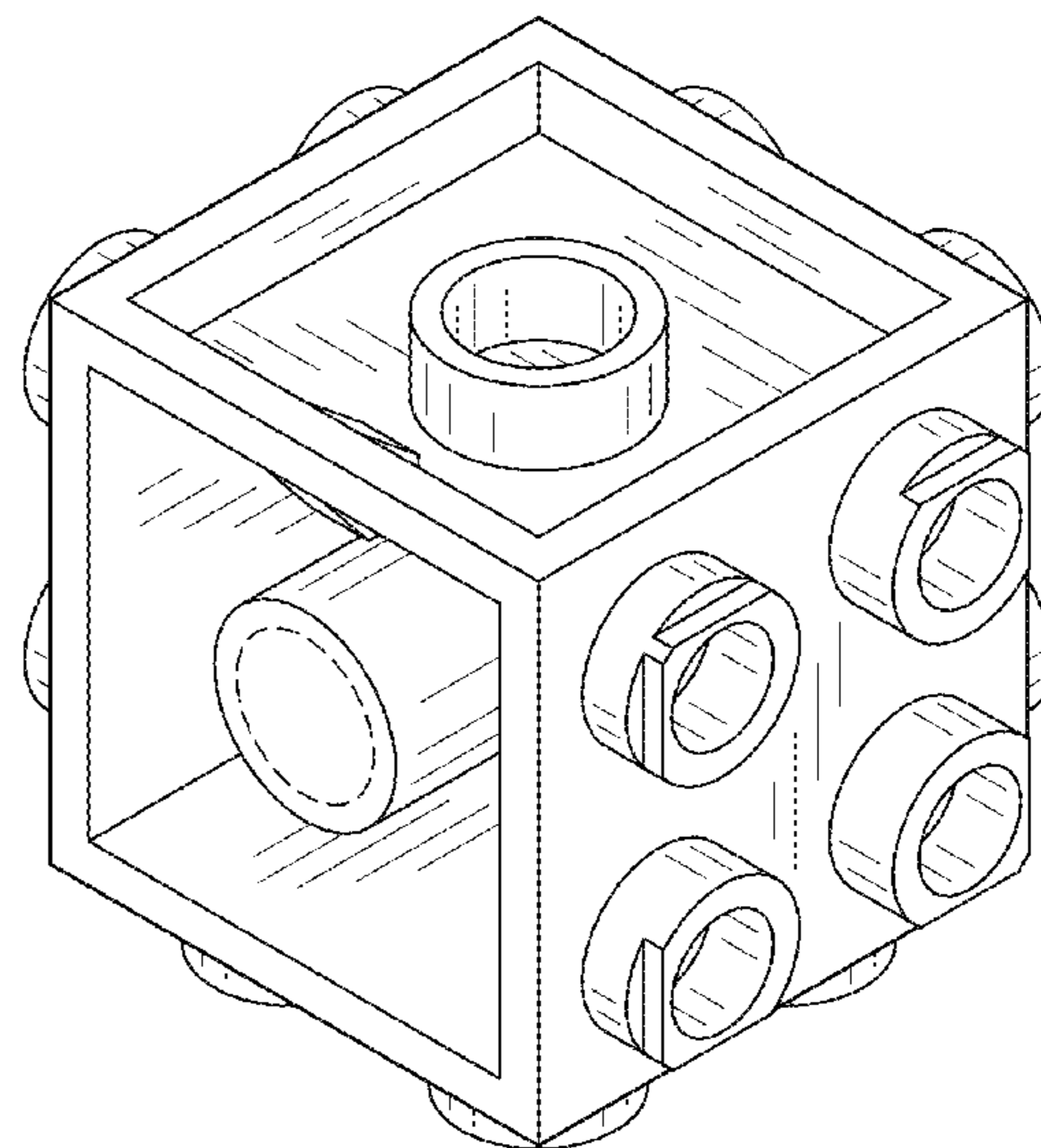
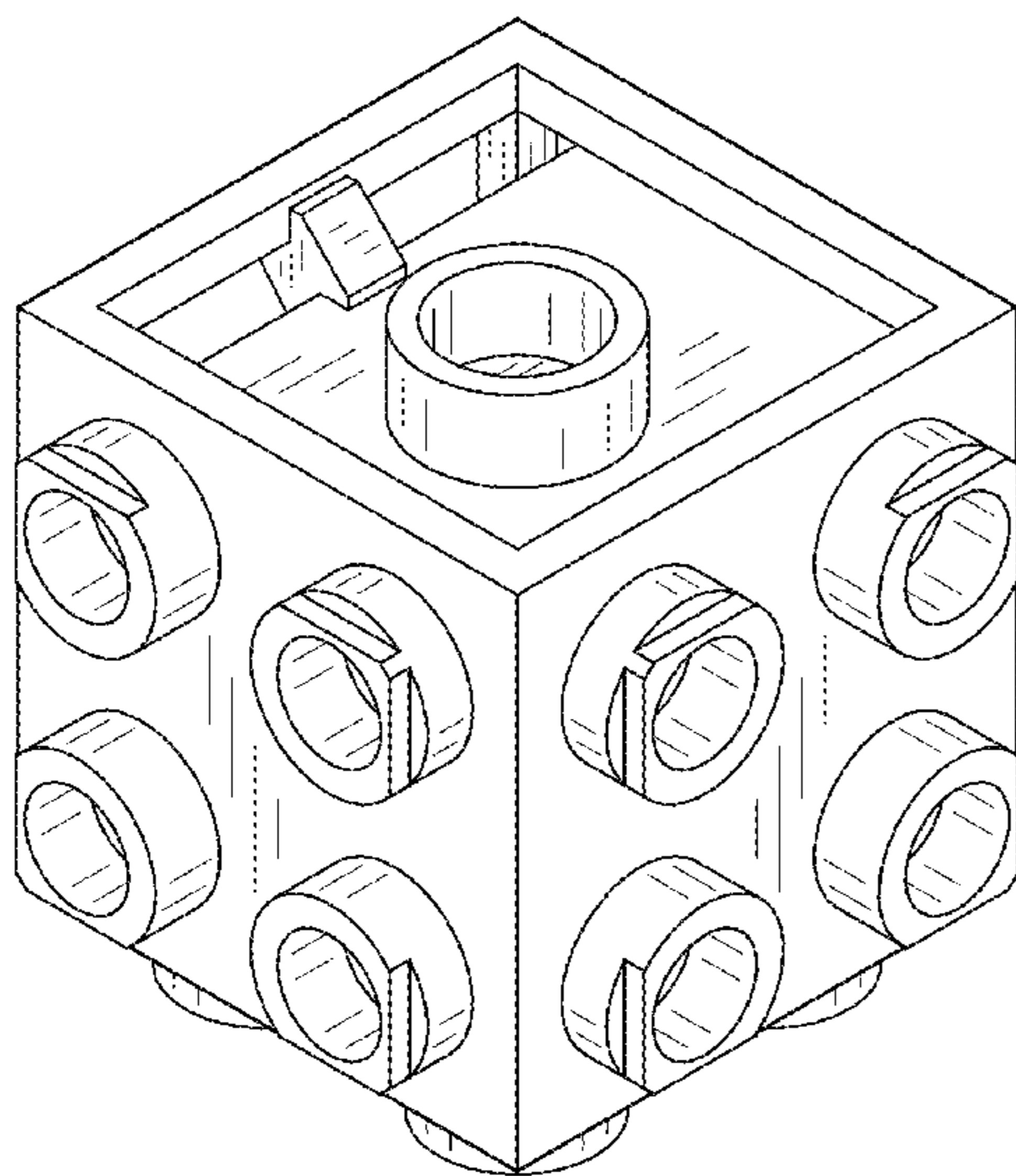
(57) **CLAIM**

The ornamental design for a toy building brick, as shown and described.

DESCRIPTION

FIG. 1 is a top front isometric view of a toy building brick showing my new design;
FIG. 2 is a top rear isometric view of the toy building brick;
FIG. 3 is a front view of the toy building brick;
FIG. 4 is a rear view of the toy building brick;
FIG. 5 is a top view of the toy building brick;
FIG. 6 is a bottom view of the toy building brick; and,
FIG. 7 is a rear isometric view of the toy building brick.
The broken lines shown are included for the purpose of illustrating portions of the article which form no part of the claimed design.

1 Claim, 5 Drawing Sheets



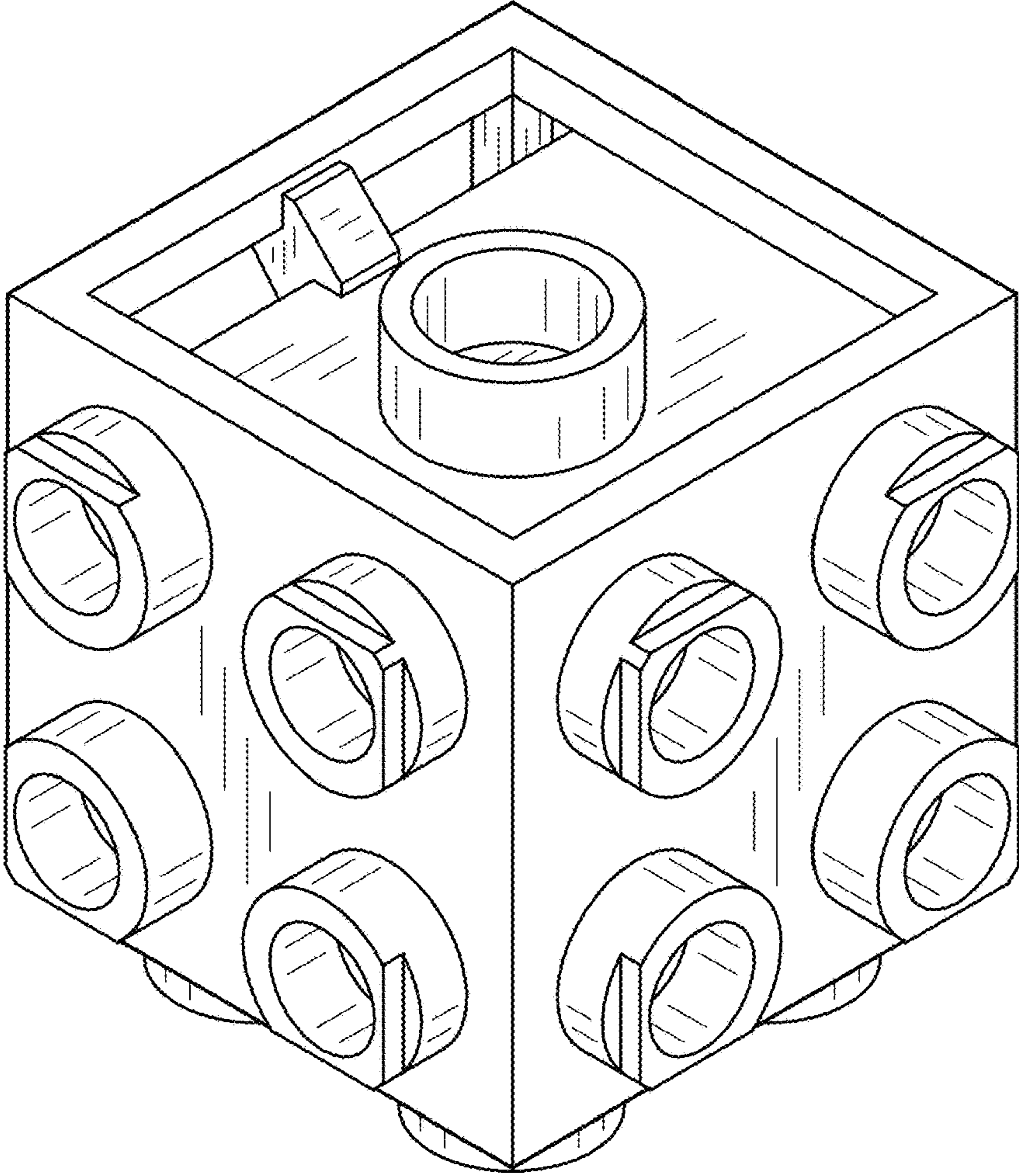


FIG. 1

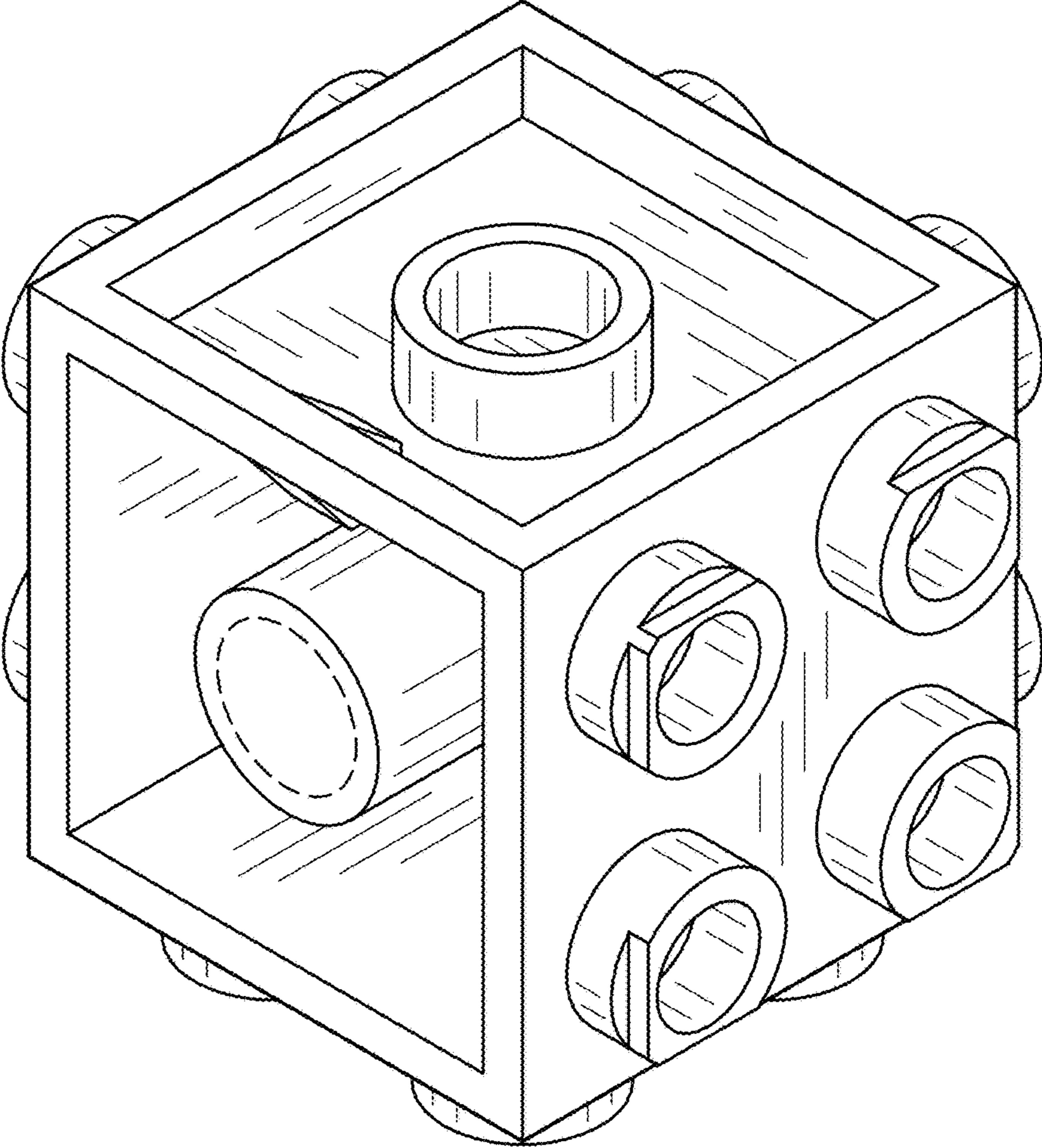


FIG. 2

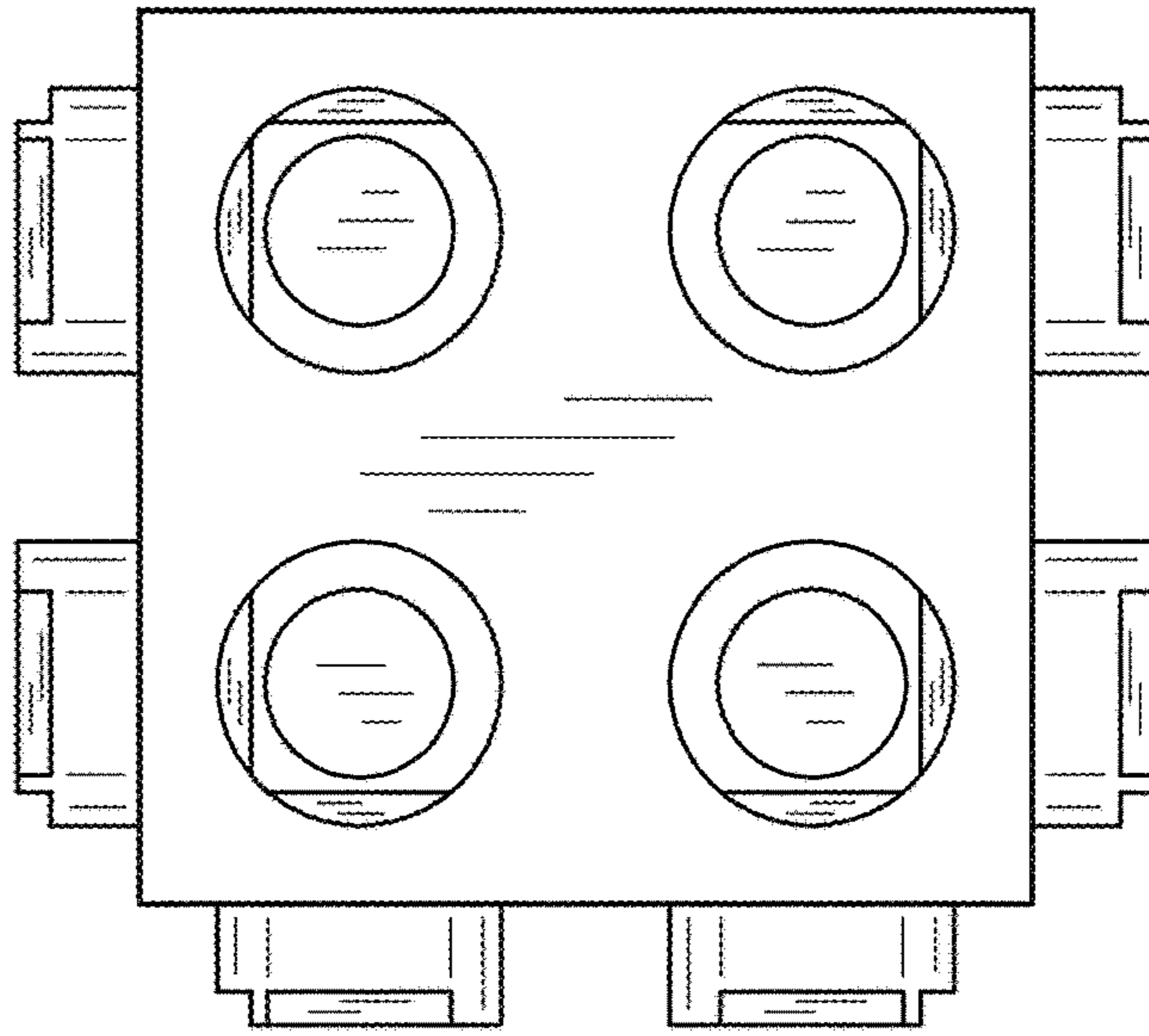


FIG. 3

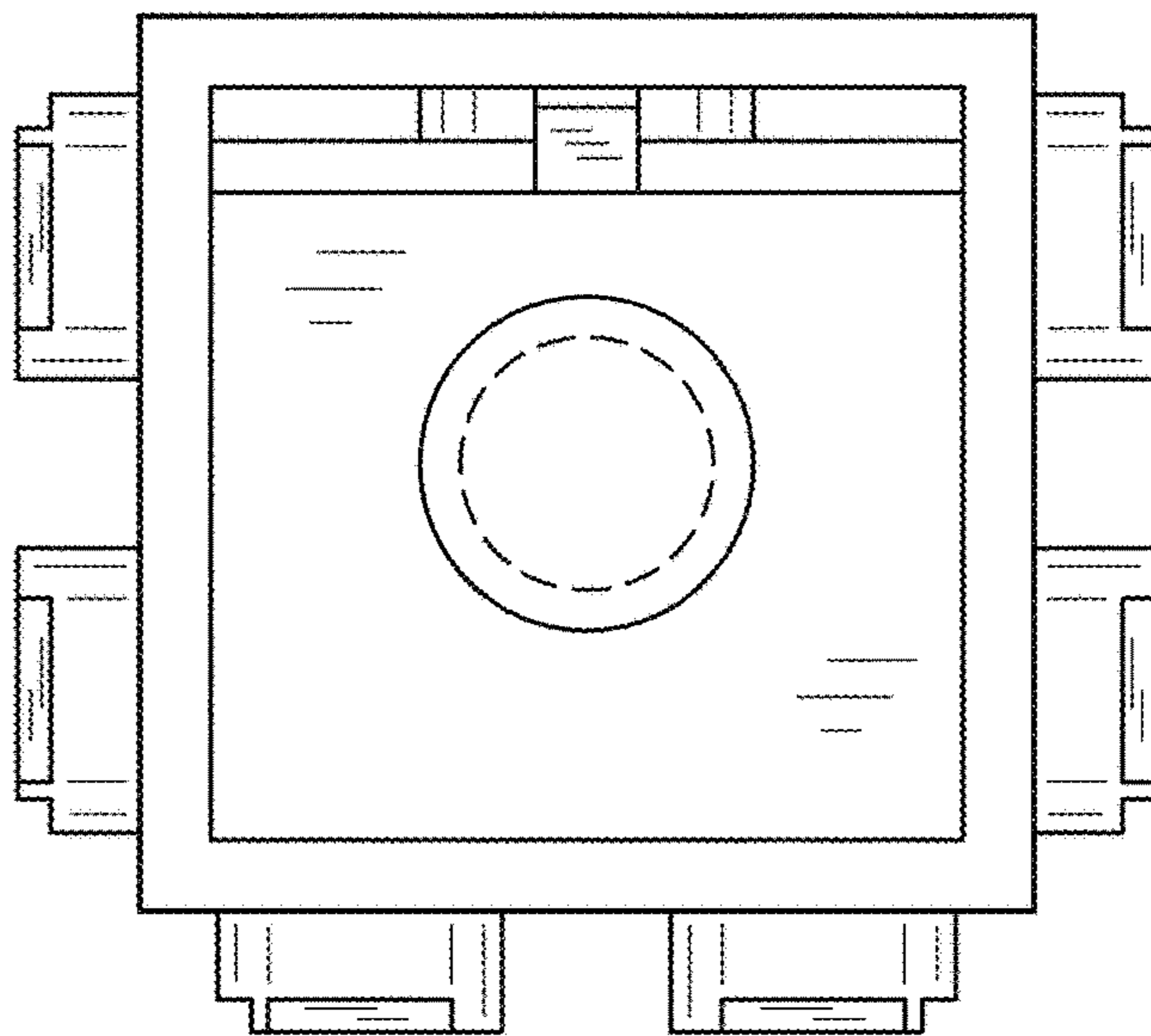


FIG. 4

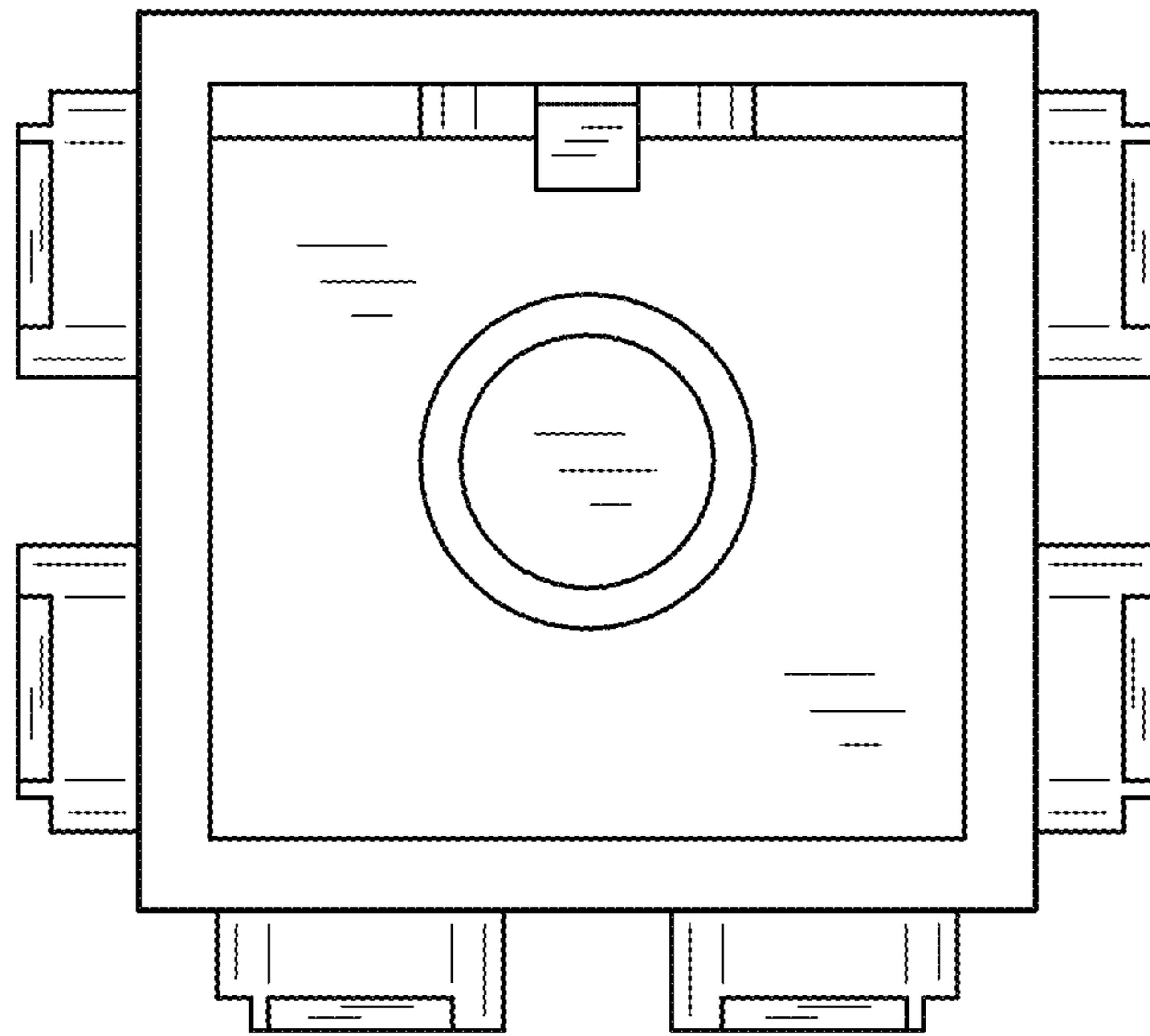


FIG. 5

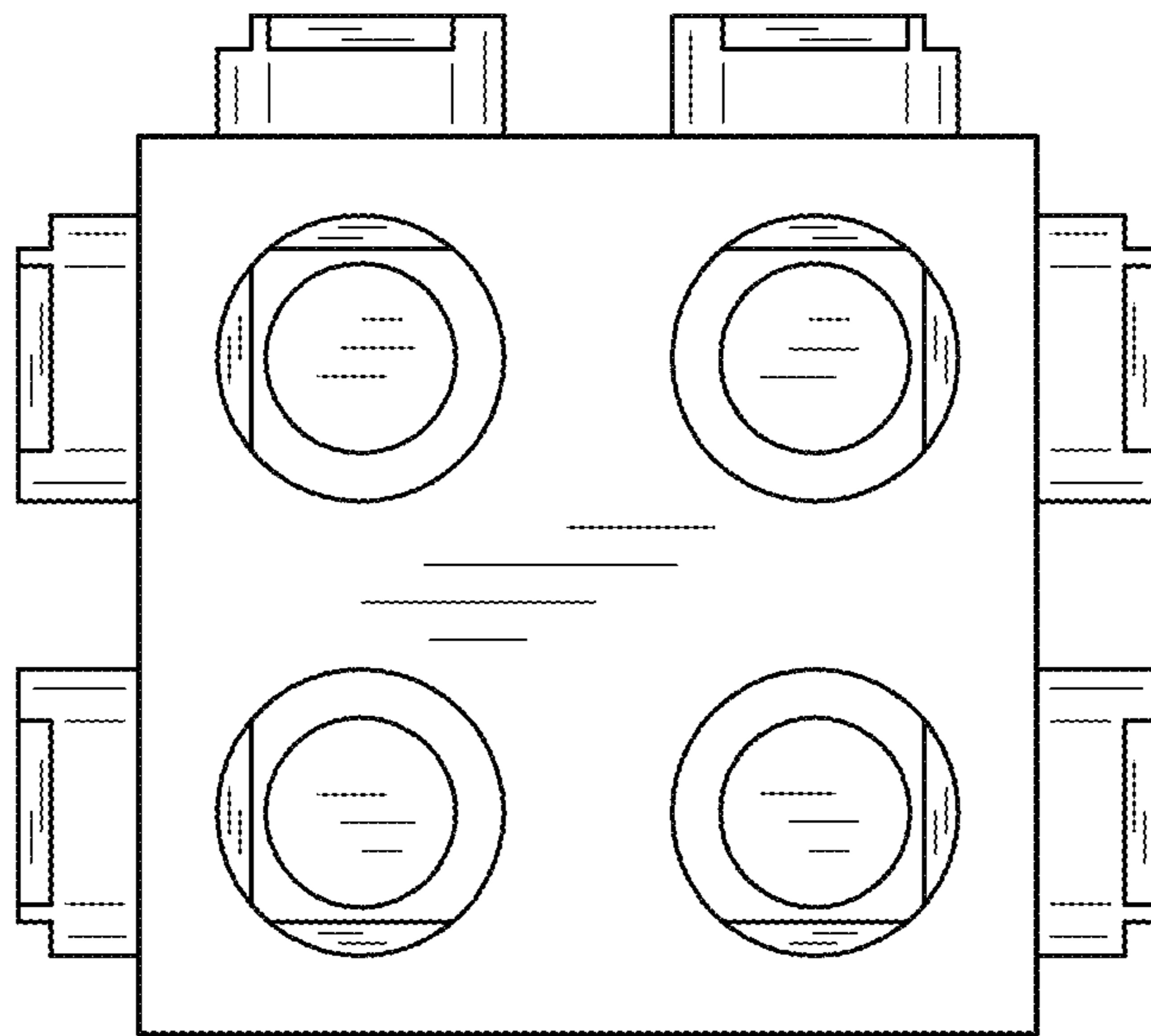


FIG. 6

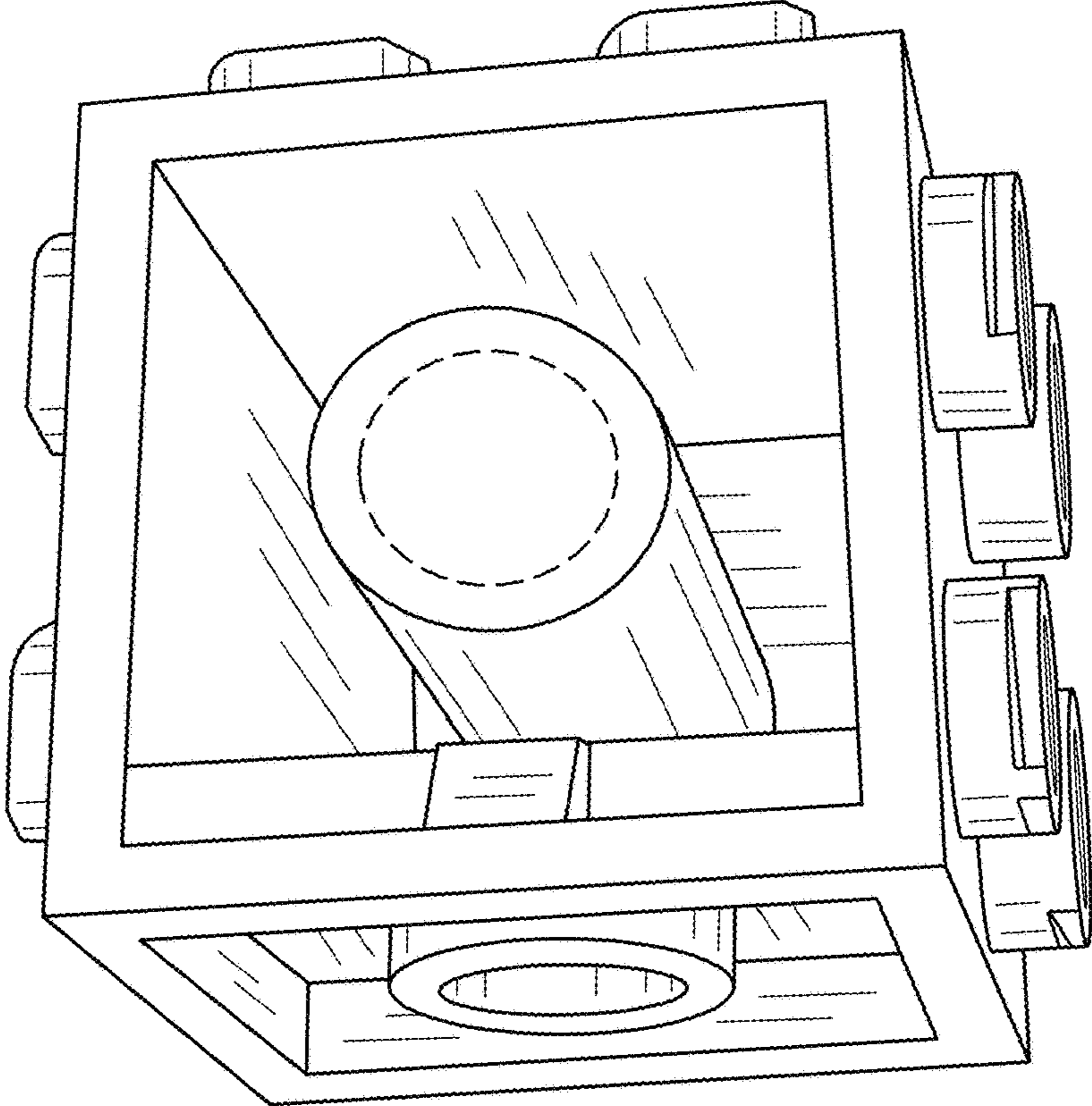


FIG. 7